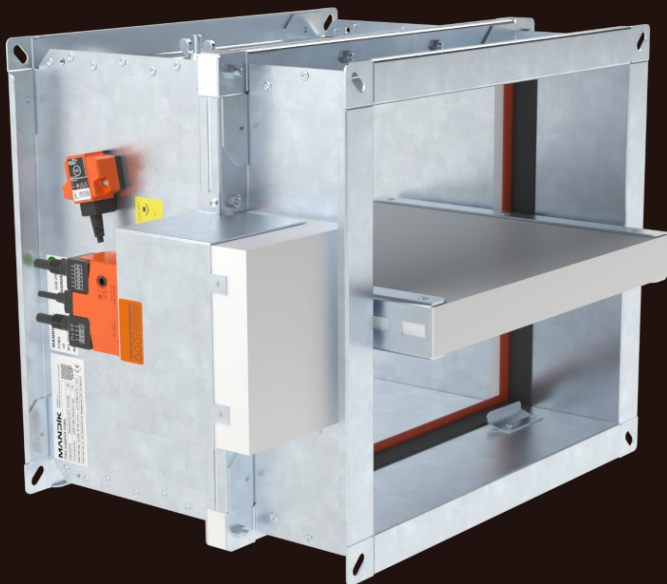


FDMA

Fire damper

Technical Documentation

Installation, Commissioning, Operation, Maintenance and Service Manual



These technical specifications state a row of manufactured sizes and models of fire dampers FDMA.
It is valid for production, designing, ordering, delivery, maintenance and operation.

CONTENT

I. GENERAL.....	3
Description.....	3
II. DESIGN.....	4
Design with manual control.....	4
Design with spring return actuator.....	9
III. DIMENSIONS.....	16
Technical parameters.....	18
IV. INSTALLATION.....	24
Placement and installation.....	24
Statement of installations.....	26
In solid wall construction.....	27
Installation outside solid wall construction.....	30
In gypsum wall construction.....	32
Installation outside gypsum wall construction.....	35
In solid ceiling construction.....	37
Outside solid ceiling construction.....	40
V. SUSPENSION SYSTEMS.....	41
Example of duct connection.....	44
VI. TECHNICAL DATA.....	45
Pressure loss.....	45
Noise data.....	47
VII. MATERIAL, FINISHING.....	48
VIII. TRANSPORTATION, STORAGE AND WARRANTY.....	49
Logistic terms.....	49
Warranty.....	49
IX. ASSEMBLY, ATTENDANCE AND MAINTENANCE.....	50
Commissioning and revisions.....	53
X. ORDERING INFORMATIONS.....	55
Ordering key.....	55
Accessories.....	56
Data label.....	57

I. GENERAL

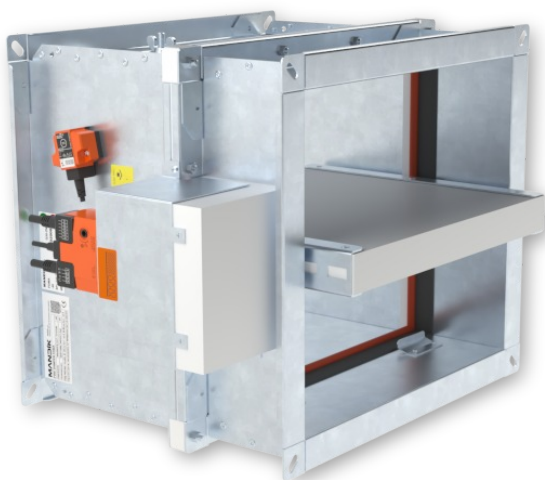
Description

Fire dampers are shutters in ducts of air-conditioning devices that prevent the spread of fire and combustion products from one fire segment to the other one by means of closing the duct in the points of fire separating constructions.

Damper blade automatically closes air duct using a closing spring or a spring return actuator. The closing spring is actuated by pressing a button on the manual control or by melting a thermal fuse.

The return spring of the actuator is actuated when a thermoelectric activation device BAT is activated, when a test button on BAT is pressed or when power supply of the actuator is interrupted.

After closing the blade, the damper is sealed with silicon against smoke penetration. On request by customer, the damper can be supplied silicon-free. In the closed position, the damper is also sealed with material which increases its volume due to increasing temperature and air proofs the air duct.



FDMA with spring return actuator



FDMA with manual control

Damper characteristics

- CE certified acc. to EN 15650
- Tested in accordance with EN 1366-2
- Classified acc. to EN 13501-3+A1
- External casing leakage for size: A<160 or B<160 class ATC 4 (old marking "B"), A≥160 a B≥160 class ATC 3 (old marking "C"), Internal leakage class 2 acc. to EN 1751
- Cycling test in class C₁₀₀₀₀ acc. to EN 15650
- Corrosion resistant acc. to EN 15650
- Certificate of constancy of performance No. 1391-CPR-XXXX/XXXX
- Declaration of Performance No. PM/FDMA/01/XX/X
- Hygienic assessment of fire dampers - Report No. 1.6/pos/19/19b

Working conditions

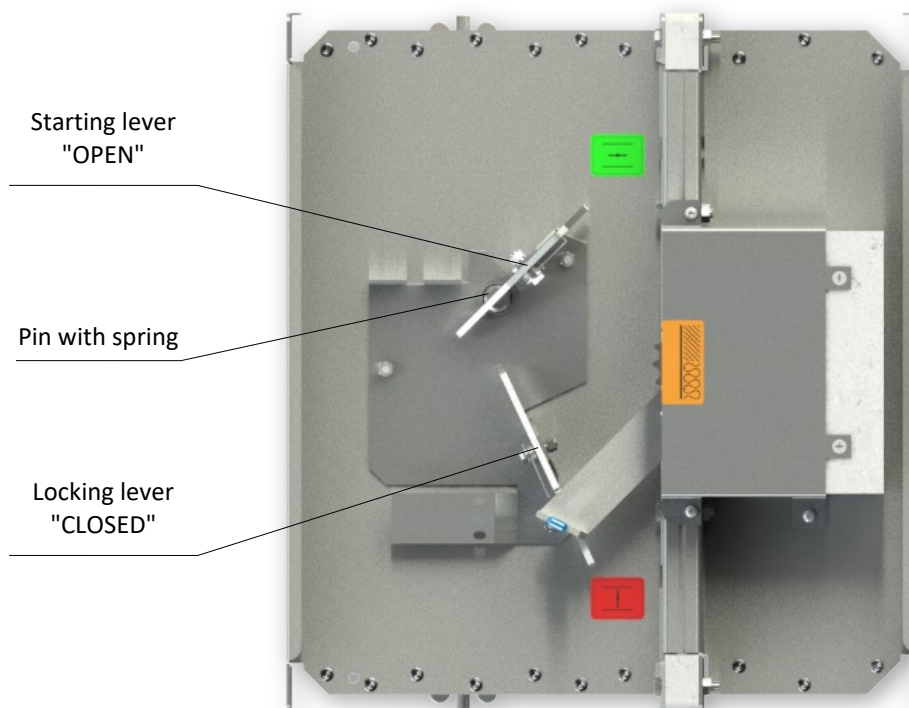
- Exact damper function is provided under the following conditions:
 - maximum air velocity 12 m/s
 - maximum pressure difference 1200 Pa
 - the air circulation in the whole damper section must be secured steady over the entire surface.
- Dampers can be installed in any position
- Dampers are suitable for systems without abrasive, chemical and adhesive particles.
- Dampers are designed for macroclimatic areas with mild climate according to EN IEC 60 721-3-3 ed.2., class 3K22. (Environment 3K22 is typically protected place with regulated temperature)
- Temperature in the place of installation is permitted to range from -30°C to +50°C.

II. DESIGN

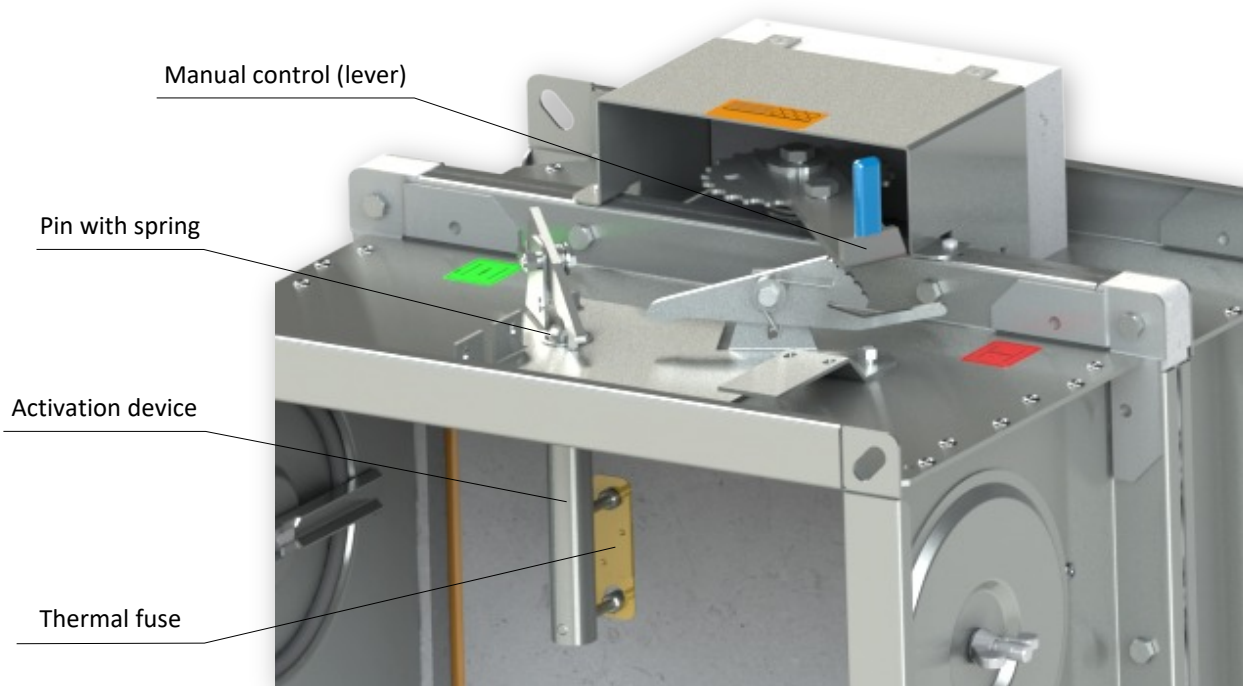
Design with manual control

Design .01

- Design with manual control with a thermal fuse which actuates the shutting device, after the nominal activation temperature 72°C has been reached.
- Automatic initiation of the manual control is not activated if the temperature does not exceed 70°C.
- In case that other activation temperatures are required, thermal fuses with nominal activation temperature +104°C or +147°C can be supplied (this requirement must be specified in the order).



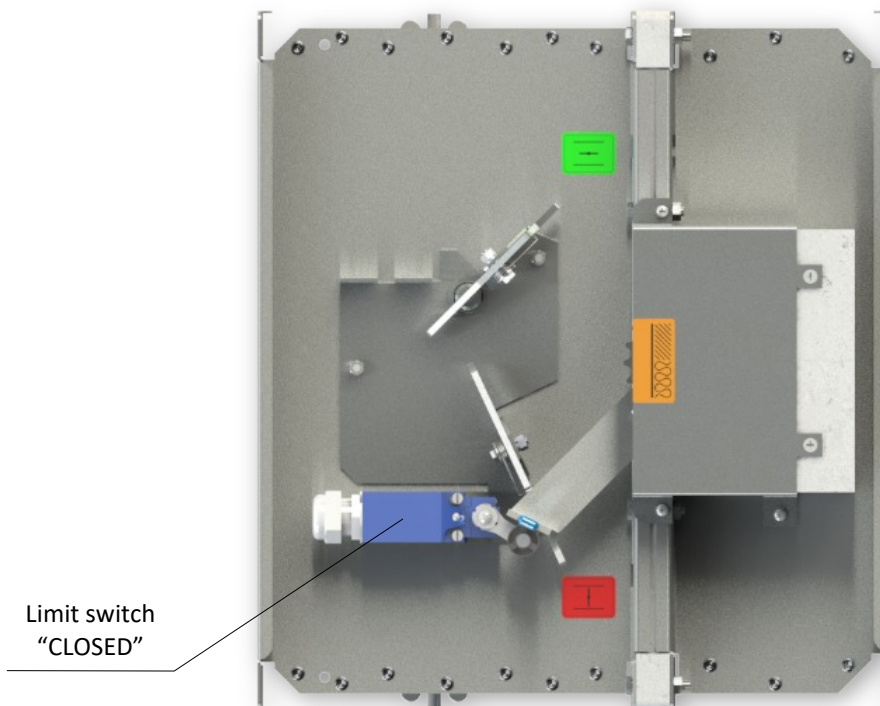
Design .01



Detail of the manual control, thermal fuse and activation device

Design .11

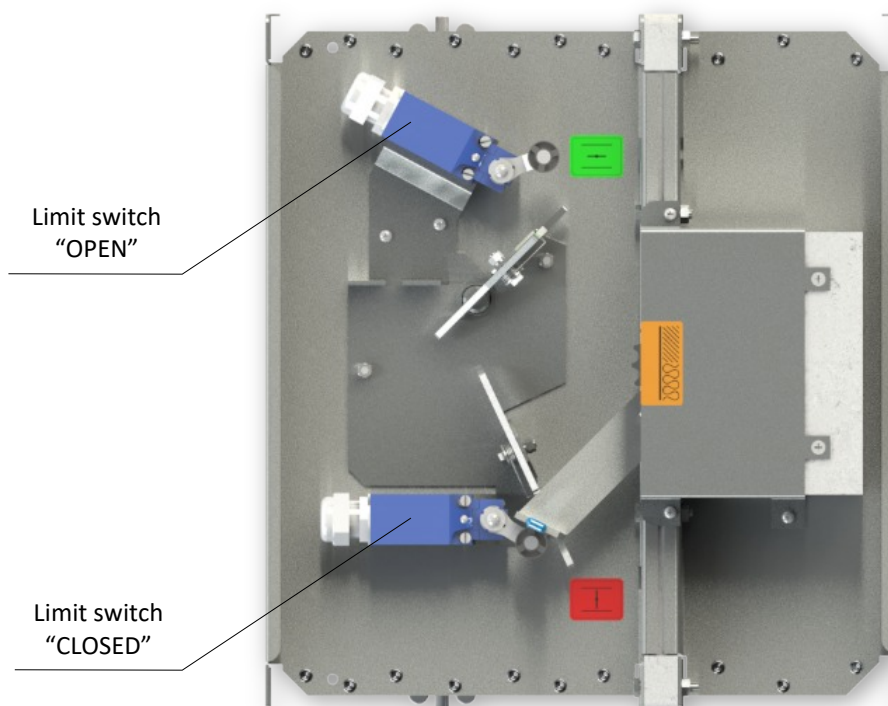
- Design .01 with manual control can be complemented with a limit switch signaling of the damper blade position "CLOSED".
- Description of electrical components → see page 8



Design .11

Design .80

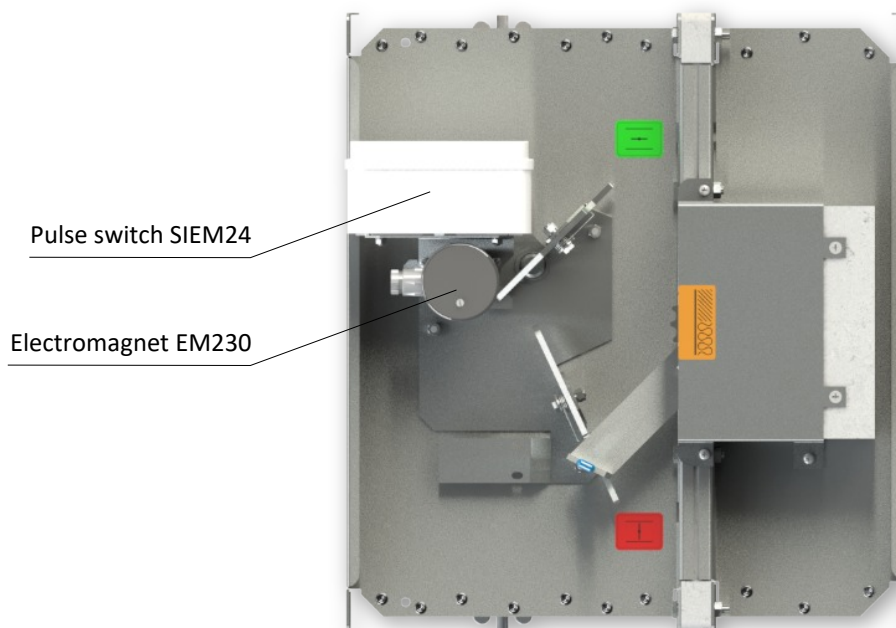
- Design .01 with manual control can be complemented with two limit switches signaling of the damper blade position "CLOSED" and "OPEN".
- Description of electrical components → see page 8



Design .80

Design .20 and .21 - ON REQUEST ONLY

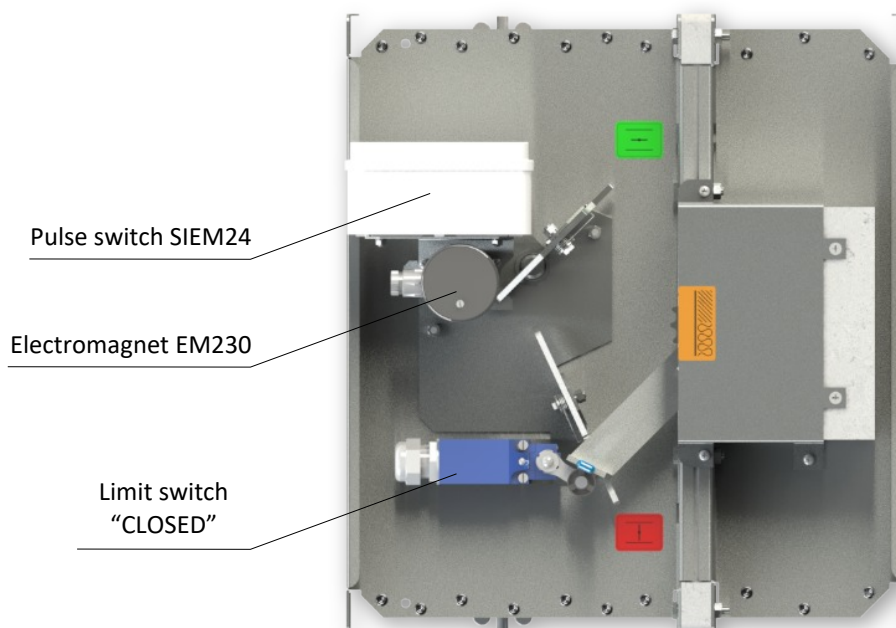
- Design .01 with mechanical control can be complemented with initiation by means of an electromagnet (solenoid). The voltage of the electromagnet (solenoid) can be AC 230V, AC/DC 24V.
- By voltage AC 230 V is damper equipped by electromagnet EM230. By voltage AC/DC 24 V is damper equipped by electromagnet EM230 with pre-pulse switch SIEM24. SEIM24 activates the electromagnet after capacitor charge witch is placed inside of SIEM24. It takes about 10 sec. Charging time depends on the current supply.
- For reliable operation is necessary connect to electromagnet or pre-pulse switch appropriate supply for 20 to 30 sec.
- **Notice:** After activation of electromagnet is released initiation lever and damper is closed. After activation is initiation lever released. If is damper set up in position "OPEN" is necessary unlock initiation lever by pulling of electromagnet core.
- Description of electrical components → see page 8



Design .20 and .21

Design .23 and .24 - ON REQUEST ONLY

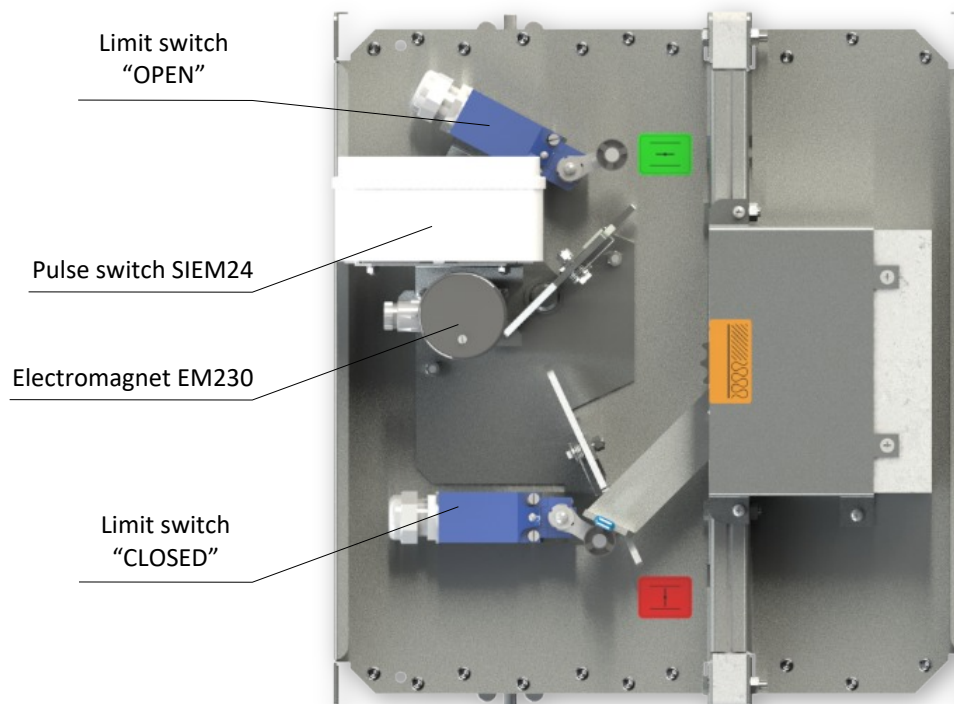
- Design .20 and .21 with manual control can be complemented with a limit switch signaling of the damper blade position "CLOSED".
- Description of electrical components → see page 8



Design .23 and .24

Design .82 and .83 - ON REQUEST ONLY

- Design .20 and .21 with manual control can be complemented with two limit switches signaling of the damper blade position "CLOSED" and "OPEN".
- Description of electrical components → see page 8

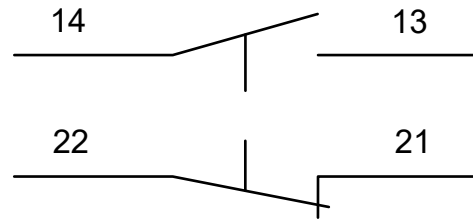


Design .82 and .83

Design .30, .33 and .85 - Product designed into the ZONE 2 - ON REQUEST ONLY

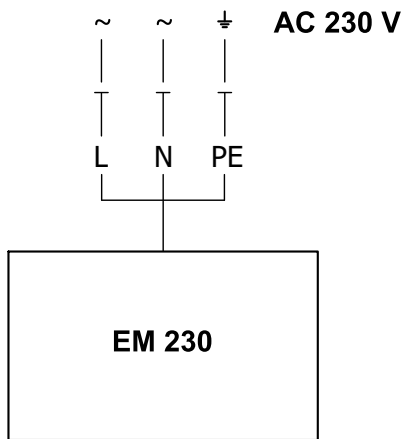
- Such designs are the same as the designs .23, .24 and .83 and they are adapted to fulfill the requirements of the usage in the Non- explosive environment.
- Description of electrical components → see page 8

Limit switch XCKN2118G11



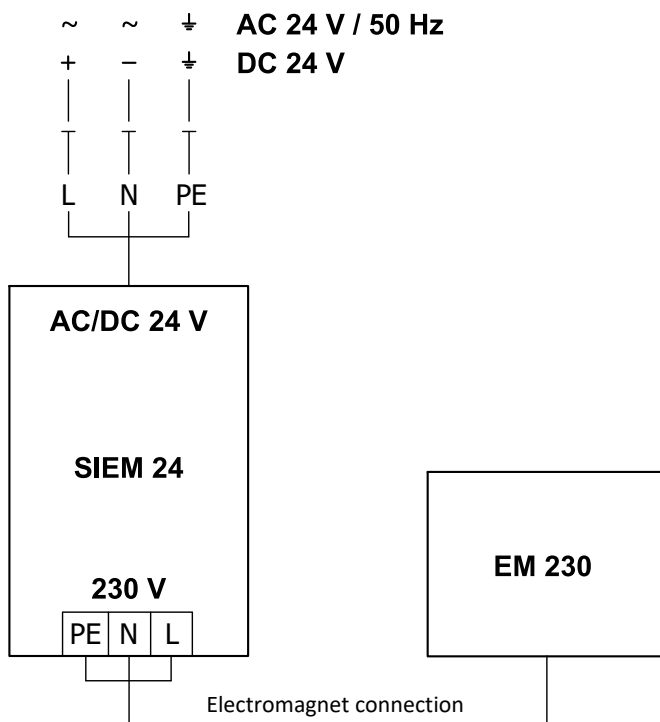
Nominal voltage and max. current	AC 240 V; 3 A DC 250 V; 0,1 A
Degree of protection	IP 65
Ambient temperature	-25°C ... +70°C

Electromagnet EM 230



Nominal voltage	AC 230 V / 50 Hz
Attraction current	1,2 A
Degree of protection	IP 40
Ambient temperature	-10°C ... +40°C
Connection	cable 1m, 3x0,75 mm ²

Electromagnet EM 230 with pulse switch SIEM 24



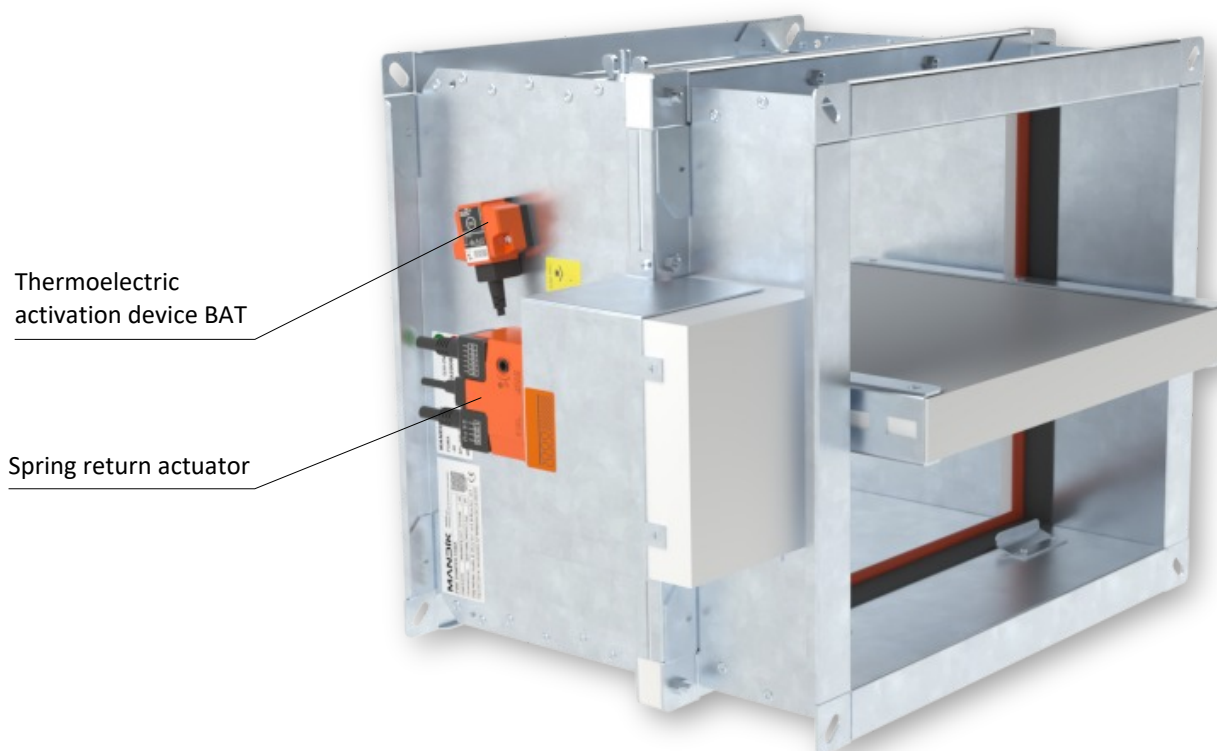
Nominal voltage	AC 24 V / 50 Hz DC 24 V
Attraction current	min. 2A*
Degree of protection	IP 40
Ambient temperature	-10°C ... +40°C
Switching frequency	max. 1x per minute
Connection	cable 1m, 3x0,75 mm ²

* It is necessary to use a sufficiently robust switched-mode power supply (allow for a current of 2 A per magnet), or to use a transformer with a rectifier, where the voltage drop is minimal and the output will not be briefly disconnected under overload.

Design with spring return actuator

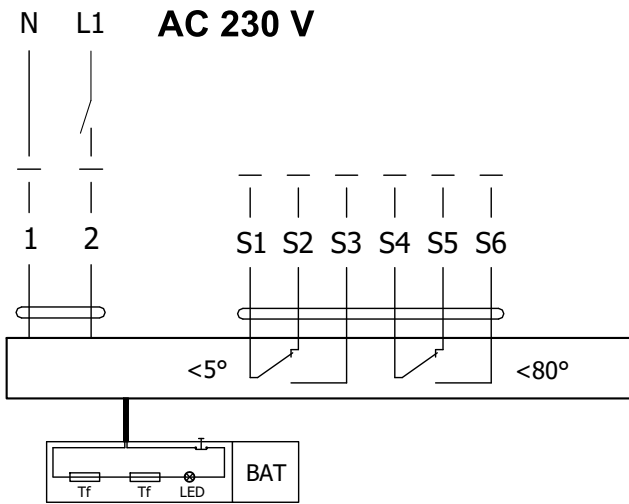
Design .40 and .50

- The fire dampers are equipped with Belimo spring return actuators with thermoelectric activation device BAT. The spring return actuator types are BFL, BFN or BF depending on the damper size. (Further mentioned as „actuator“).
- After being connected to power supply 230V or AC/DC 24V, the actuator rotates the damper blade to the operating position "OPEN" and at the same time pre-stretches its return spring.
- When the actuator is power supplied, the damper blade is in the position "OPEN" and the return spring is pre-stretched.
- Time needed for full opening of the damper blade from the position "CLOSED" to the position "OPEN" is maximum 120 sec. If the actuator power supply is interrupted (due to loss of supply voltage, or pressing a test button on the thermoelectric activation device BAT), the actuator rotates the damper blade to the breakdown position "CLOSED".
- The time of closing the damper blade from the position "OPEN" to the position "CLOSED" takes maximum 20 sec.
- In case that the power supply is restored again (the blade can be in any position), the actuator starts to rotate the damper blade back to the position "OPEN".
- A thermoelectric activation device BAT, which contains two thermal fuses Tf1 and Tf2, is an integral part of the actuator.
- These fuses are activated when temperature +72°C has been reached (the fuse Tf1 due to temperature outside the duct and the fuse Tf2 due to temperature inside the duct). The thermoelectric activation device can also be equipped with a Tf2 thermal fuse type ZBAT 95/120/140 (must be specified in the order). In this case, the activation temperature inside the duct is +95°C, +120°C or +140°C (depending on the type).
- After the thermal fuse Tf1 or Tf2 has been activated, the power supply is permanently and irreversibly interrupted and the actuator, by means of the pre-stretched spring, rotates the damper blade into the breakdown position "CLOSED".
- Signalisation of damper blade position "OPEN" and "CLOSE" is provided by two microswitches.

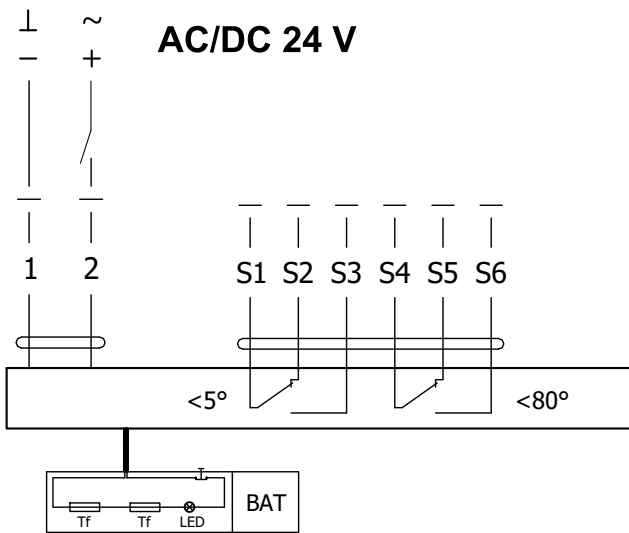


Design.40 and .50

Actuator BELIMO BFL 230-T



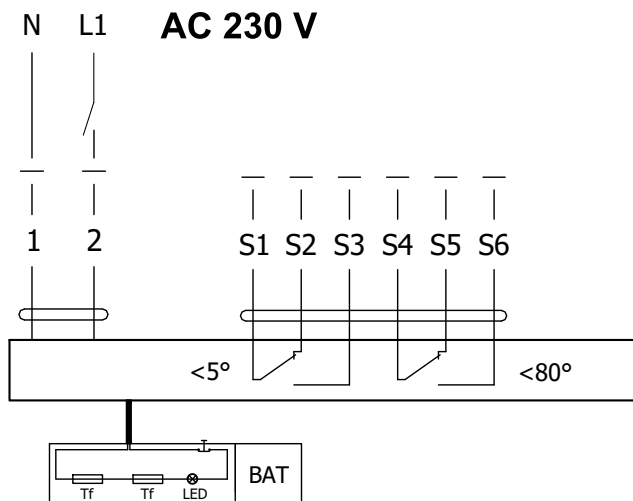
Actuator BELIMO BFL 24-T(-ST)



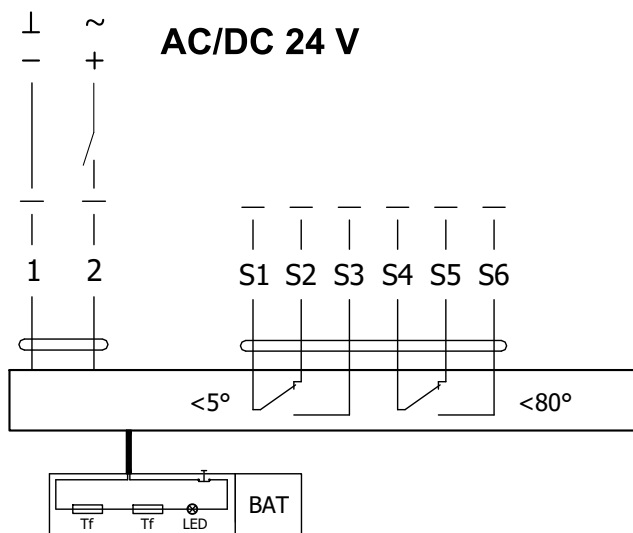
Actuator BELIMO BFL 230-T(-ST), BFL 24-T(-ST)

Actuator BELIMO - 4 Nm/ 3 Nm Spring	BFL 230-T(-ST)	BFL 24-T(-ST)
Power voltage	AC 230 V 50/60Hz	AC/DC 24 V 50/60Hz
Power consumption - in operation - in rest position	2,6 W 0,7 W	2,0 W 0,7 W
Dimensioning	4 VA (I _{max} 4 A @ 5 ms)	2,8 VA (I _{max} 2,9 A @ 5 ms)
Protection class	II	III
Degree of protection	IP 54	
Running time - motor - spring return	< 60 s ~ 20 s	
Ambient temperature - normal duty - safety duty - non-operating temperature	-30°C ... +55°C The safe position will be attained up to max. +75°C -40°C ... +55°C	
Connection - supply/control - auxiliary switch	cable 1 m, 2 x 0,75 mm ² (BFL 2xx-T-ST) with 3-pin plug-in connectors cable 1 m, 6 x 0,75 mm ² (BFL 2xx-T-ST) with 6-pin plug-in connectors	
Response temperature thermal fuse	duct outside temperature +72°C duct inside temperature +72°C	

Actuator BELIMO BFN 230-T



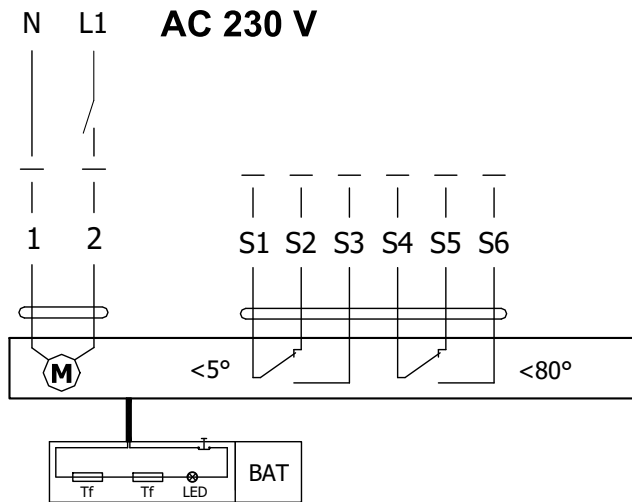
Actuator BELIMO BFN 24-T(-ST)



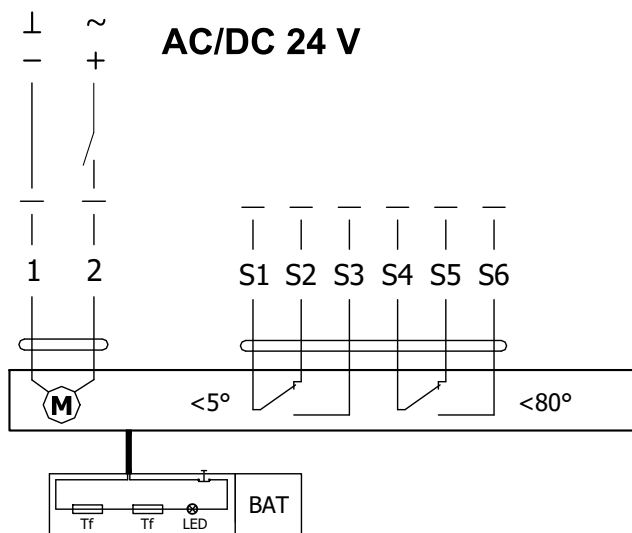
Actuator BELIMO BFN 230-T(-ST), BFN 24-T(-ST)

Actuator BELIMO - 9 Nm/ 7 Nm Spring	BFN 230-T(-ST)	BFN 24-T(-ST)
Power voltage	AC 230 V 50/60Hz	AC/DC 24 V 50/60Hz
Power consumption - in operation	3,5 W	3,2 W
- in rest position	1,3 W	1,2 W
Dimensioning	6,5 VA (Imax 4 A @ 5 ms)	4,3 VA (Imax 2,9 A @ 5 ms)
Protection class	II	III
Degree of protection	IP 54	
Running time - motor	< 60 s	
- spring return	~ 20 s	
Ambient temperature	-30°C ... +55°C	
- normal duty	The safe position will be attained up to max. +75°C	
- safety duty		
- non-operating temperature	-40°C ... +55°C	
Connection - supply/control	cable 1 m, 2 x 0,75 mm ² (BFN 2xx-T-ST) with 3-pin plug-in connectors	
- auxiliary switch	cable 1 m, 6 x 0,75 mm ² (BFN 2xx-T-ST) with 6-pin plug-in connectors	
Response temperature thermal fuse	duct outside temperature +72°C duct inside temperature +72°C	

Actuator BELIMO BF 230-TN



Actuator BELIMO BF 24-TN (-ST)



Actuator BELIMO BF 230-TN(-ST), BF 24-TN(-ST)

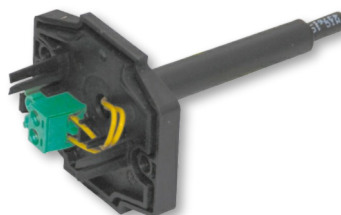
Actuator BELIMO - 18 Nm/ 12 Nm Spring	BF 230-TN(-ST)	BF 24-TN(-ST)
Power voltage	AC 230 V 50/60Hz	AC/DC 24 V 50/60Hz
Power consumption - in operation - in rest position	8,5 W 3 W	7 W 2 W
Dimensioning	11 VA (I _{max} 8,3 A @ 5 ms)	10 VA (I _{max} 8,3 A @ 5 ms)
Protection class	II	III
Degree of protection	IP 54	
Running time - motor - spring return	120 s ~ 16 s	
Ambient temperature - normal duty - safety duty - non-operating temperature	-30°C ... +50°C The safe position will be attained up to max. +75°C -40°C ... +50°C	
Connection - supply/control - auxiliary switch	cable 1 m, 2 x 0,75 mm ² (BF 2xx-TN-ST) with 3-pin plug-in connectors cable 1 m, 6 x 0,75 mm ² (BF 2xx-TN-ST) with 6-pin plug-in connectors	
Response temperature thermal fuse	duct outside temperature +72°C duct inside temperature +72°C	

Thermoelectric activation device BAT

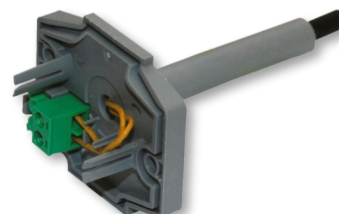
- If the thermal fuse Tf1 is interrupted (due to temperature outside the duct), it is necessary to replace the spring return actuator. Thermoelectric activation device BAT is integral part of the actuator.
- If the thermal fuse Tf2 is interrupted (due to temperature inside the duct), only the spare part ZBAT 72 (95/120/140) needs to be replaced (acc.to the activation temperature).
- When one of the thermal fuses responds, the supply voltage is interrupted permanently and irreversibly.
- The function (interruption of the supply voltage) can be checked by pressing the test button.
- Installation is carried out with the pre-assembled, self-tapping screws.



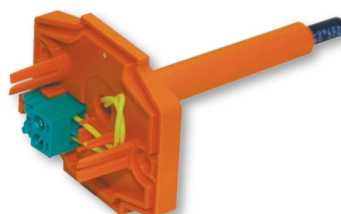
BELIMO ZBAT 72
Black (BK) = 72°C (standard)



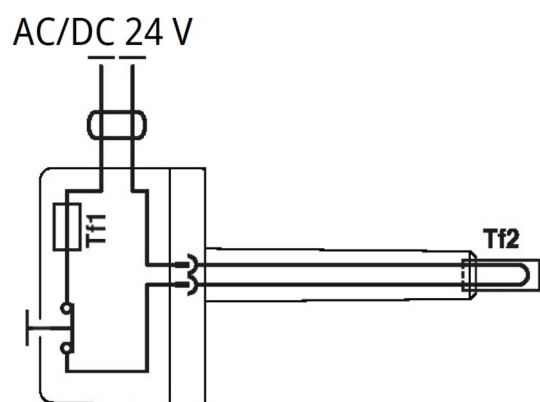
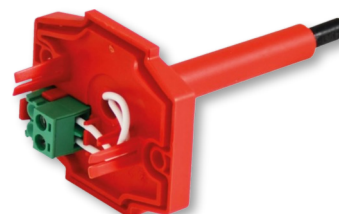
BELIMO ZBAT 95
Grey (GY) = 95°C



BELIMO ZBAT 120
Orange (OG) = 120°C



BELIMO ZBAT 140
Red (RD) = 140°C



Thermoelectric activation device BAT 72 (95/120/140)

Power voltage	AC/DC 24 V 50/60Hz
Rated current	1 A
AC/DC throughput resistance	<1 Ω
Protection class	III
Degree of protection	IP 54
Probe length	65 mm
Ambient temperature	-30°C ... +50°C
Storage temperature	-40°C ... +50°C
Ambient humidity	Max. 95% RH, non-condensing
Connection supply	Cable 1 m, 2 x 0.5 mm ² , Betaflam cable heatresistant up to 145°C
Response temperature thermal fuse	Duct inside temperature +72 (95/120/140)°C Duct outside temperature +72 (95/120/140)°C

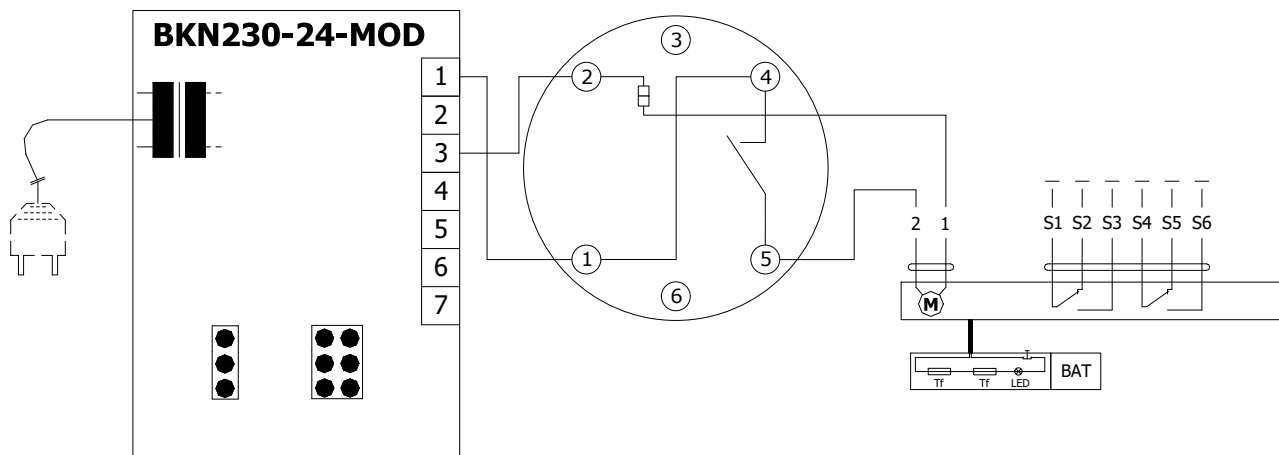
Design .41 and .51

- Design .41 or .51 with actuator and smoke detector ORS 142 K. The voltage can be AC 230 V or 24 V DC. Design .41 with voltage AC 230 V is equipped with communication and supply device BKN 230-24-MOD and with actuator BF 24-TN (BFL 24-T, BFN 24-T).
- The smoke detector is activated when smoke spreads in air duct system. Deactivation of the smoke detector alarm

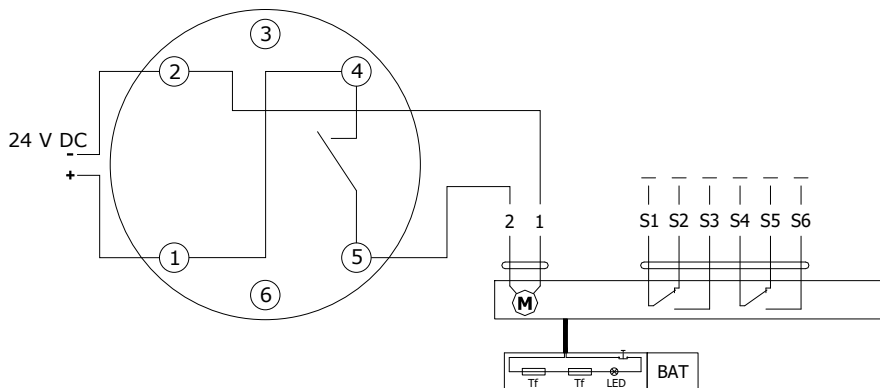
status is provided by interruption of supply voltage for min. 2s.

- Signalisation of damper blade position "OPEN" and "CLOSE" is provided by two microswitches.
- For sizes A<180 mm or B<180 mm, the optical smoke detector ORS 142 K is not part of the fire damper and is supplied separately.

Design .41 with actuator BF 24-TN (BFL, BFN 24-T), with smoke detector ORS 142 K and with supply device BKN 230-24-MOD (voltage AC 230 V)



Design .51 with actuator BF 24-TN (BFL, BFN 24-T), with smoke detector ORS 142 K (voltage 24 V DC)



Communication and supply device BKN 230-24-MOD

Nominal voltage	AC 230 V 50/60Hz
Power consumption	3 W (operating position)
Dimensioning	14 VA (including actuator)
Protection Class	II
Degree of protection	IP 40
Ambient temperature	-20°C ... +50°C
Non-operating temperature	-40°C ... +80°C
Connection - net	cable 0,9 m with EURO plug type 26
- motor	6-pole connector, 3-pole connector
- terminal board	screw terminals for cable 2x1,5 mm ²

Optical smoke detector ORS 142 K with the socket 143A

- The smoke detector ORS 142 K is used for early smoke detection in rooms or inside the ventilation system.
- The sensor operates on the light scatter principle. Inside the scanning chamber is a light source and a light sensor, in the normal state the light from the source does not fall on the sensor. Only when smoke enters the scanning chamber the light is scattered and falls on the sensor.
- The smoke detector can be connected directly to the actuator (design .41 and .51) which, in case of smoke detection, passes to the safety position, or to the BKN communication and supply device (design .63).
- By early detection of smoke, it can be effectively prevented from spreading of smoke through the ventilation system. In addition

to smoke detection, the sensor can distinguish and signal slight and heavy contamination, e.g. the presence of large amounts of dust.

- The ORS 142 K smoke detector has an alarm memory, i.e. if the alarm is triggered, the safety relay opens and stays in this state even if the smoke disappears from the scanning chamber. The sensor remains in the alarm state until the power supply is briefly reset.
- On the pin 3, an external device can be connected via RS-Bus communication to report the status of the sensor.
- Pin 6 has no connection to the detector and is designed as a load-bearing structure in the base.

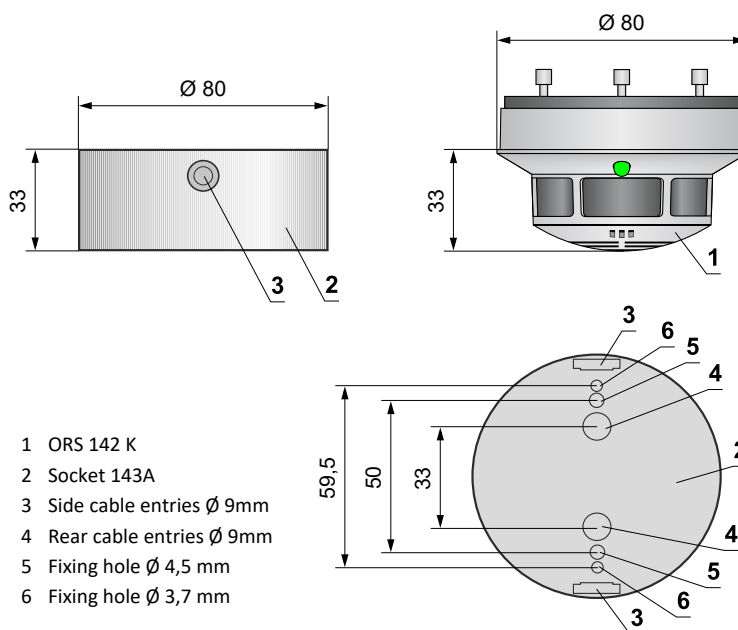
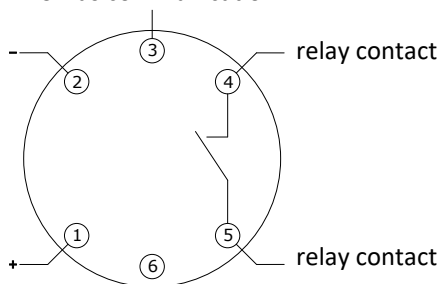
ORS 142 K



Socket 143A



RS-Bus communication



Relay contact		LED	
In operation		Green	Shines
Slight contamination		Green / Yellow	Flashes
Heavy contamination		Green / Yellow	Flashes
Fault		Yellow	Shines
Alarm		Red	Shines
Power Off		Off	-

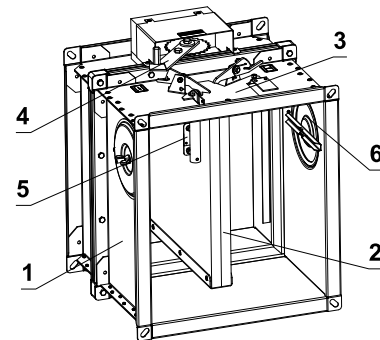
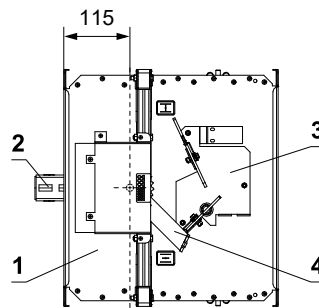
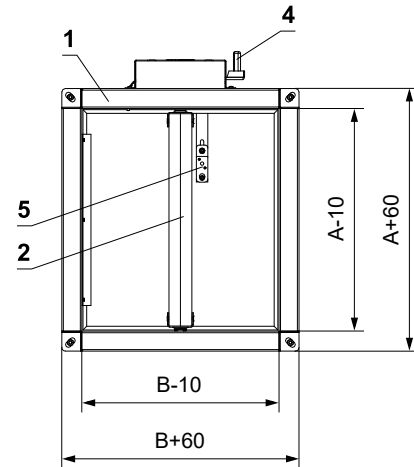
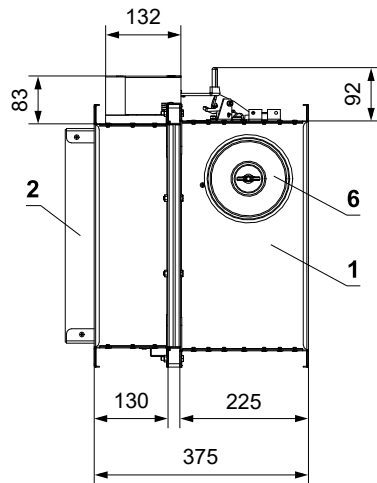
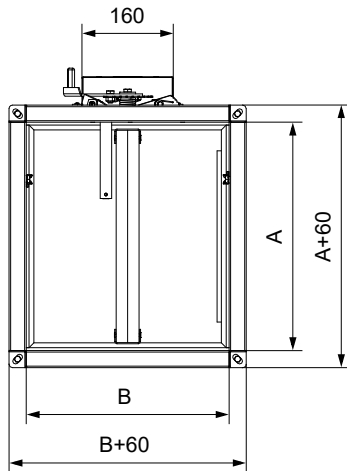
- 1 ORS 142 K
- 2 Socket 143A
- 3 Side cable entries Ø 9mm
- 4 Rear cable entries Ø 9mm
- 5 Fixing hole Ø 4,5 mm
- 6 Fixing hole Ø 3,7 mm

Optical smoke detector ORS 142 K with the socket 143A

Operating voltage	18 ... 28 V DC
Residual ripple	≤ 200 mV
Power Consumption Socket (without actuator)	max. 22 mA
Degree of protection	IP 42
Ambient temperature	-20°C ... +75°C
Additional temperature sensor	+70°C
Connection - net	Cable 1m, connected to terminals 1, 2 and 4
- motor	Actuator connected on the terminals 2 and 5
- communication and supply device BKN	Cable 1m, connected to terminals 1, 2, 4 and 5

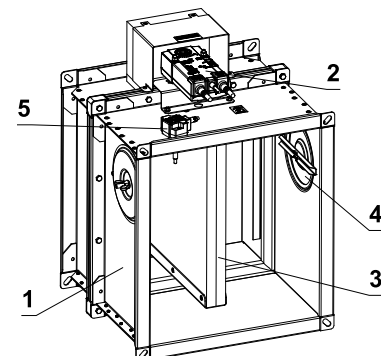
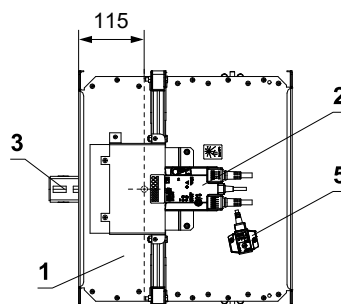
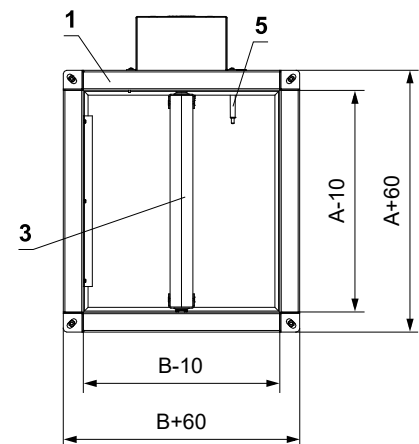
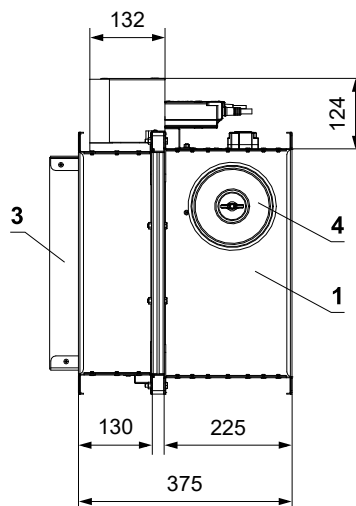
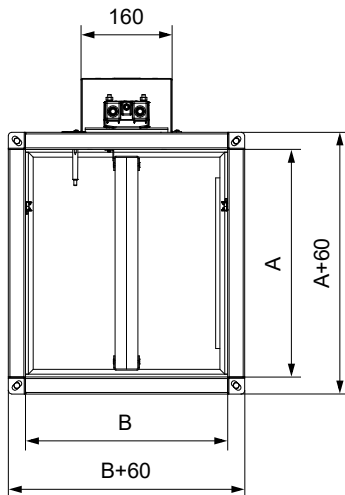
III. DIMENSIONS

FDMA with manual control



- 1 Damper casing
- 2 Damper blade
- 3 Base plate
- 4 Control lever
- 5 Thermal protective fuse
- 6 Inspection opening cover

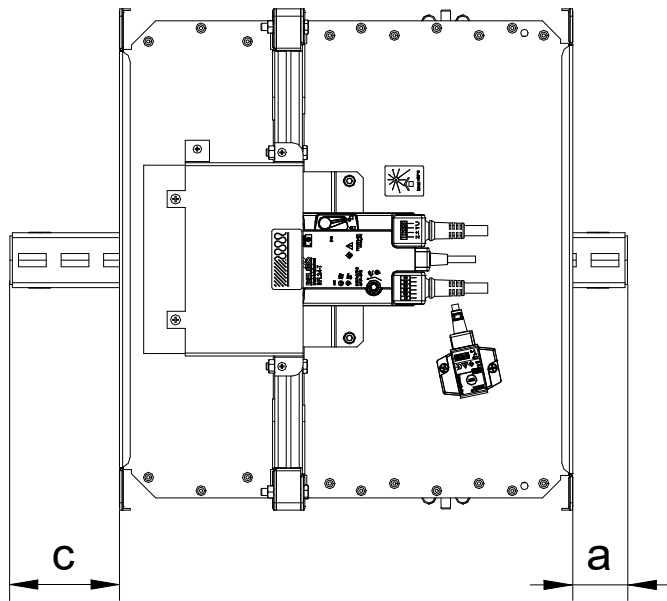
FDMA with spring return actuator



- 1 Damper casing
- 2 Spring return actuator
- 3 Damper blade
- 4 Inspection opening cover
- 5 Thermoelectric activation device

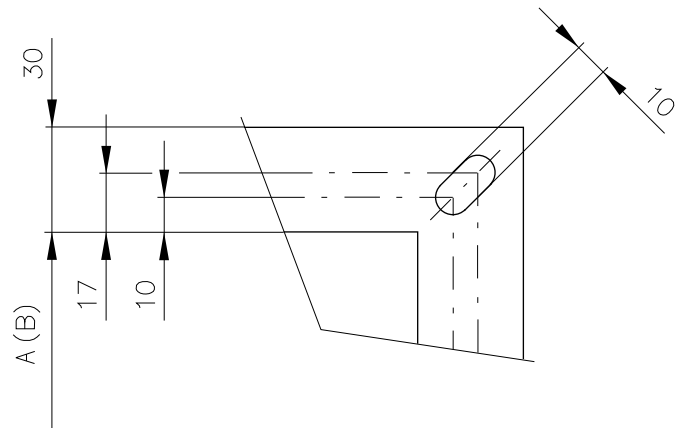
Damper blade overlaps

- Open damper blade overlaps the damper casing by the value "a" or "c". These values are specified in chapter Technical parameters → see pages 18 to 23

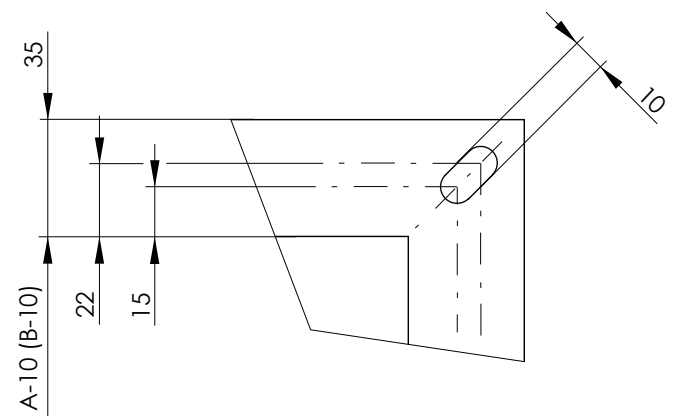


Values "a" and "c" has to be respected when projecting following air-conditioning duct.

Flange of a damper - CONTROL SIDE



Flange of a damper - INSTALLATION SIDE



flanges are fitted with oval holes in the corners

Technical parameters

A x B [mm]	Damper blade overlaps		Weight		Free area S _f [m ²]	Spring return actuator	A x B [mm]	Damper blade overlaps		Weight		Free area S _f [m ²]	Spring return actuator																																																																																																																																																																																																																																																																																																																																																																																																																																																																																																																																																																																																																																																																																																																																																																																																																																																																																																																																																																																																																																																																																																																																																																																																																																																																																																																																																																																																																																																																																																																																																																																																																																																																		
	a [mm]	c [mm]	Man. [kg]	Actu. [kg]*				a [mm]	c [mm]	Man. [kg]	Actu. [kg]*																																																																																																																																																																																																																																																																																																																																																																																																																																																																																																																																																																																																																																																																																																																																																																																																																																																																																																																																																																																																																																																																																																																																																																																																																																																																																																																																																																																																																																																																																																																																																																																																																																																																				
180 x	-	-	9	10,7	0,0192	BFL	550	10	155	18,2	21,2	0,1005	BFL																																																																																																																																																																																																																																																																																																																																																																																																																																																																																																																																																																																																																																																																																																																																																																																																																																																																																																																																																																																																																																																																																																																																																																																																																																																																																																																																																																																																																																																																																																																																																																																																																																																																		
	-	-	9,4	11,1	0,0224		-	-	9,9	11,6	0,0264	-		5	10,5	12,2	0,0304	-	20	11,1	12,8	0,0352	-	30	11,5	13,2	0,0384	-	37	11,8	13,5	0,0408	-	57	12,7	14,4	0,0472	-	80	13,6	15,3	0,0544	-	105	14,6	17,6	0,0624	-	130	15,7	18,7	0,0704	10	155	16,7	19,7	0,0784	15	160	16,9	19,9	0,0800	35	180	17,8	20,8	0,0864	50	195	18,4	21,4	0,0912	60	205	18,8	21,8	0,0944	200 x	70	230	19,9	22,9	0,1024	BFL	180	-	-	10,3	12	0,0276	BFL	80	280	22	25	0,1184	90	235	20,1	23,1	0,1040	110	255	20,9	23,9	0,1104	135	280	22	25	0,1184	15	160	16,9	19,9	0,0800	35	180	17,8	20,8	0,0864	50	195	18,4	21,4	0,0912	60	205	18,8	21,8	0,0944	70	230	19,9	22,9	0,1024	80	280	22	25	0,1184	90	235	20,1	23,1	0,1040	110	255	20,9	23,9	0,1104	135	280	22	25	0,1184	225 x	-	-	9,4	11,1	0,0216	BFL	225	-	-	11,3	13	0,0380	BFL	-	-	9,8	11,5	0,0252	-	-	10,3	12	0,0297	-	5	10,9	12,6	0,0396	-	20	11,5	13,2	0,0342	-	30	12	13,7	0,0432	-	37	12,3	14	0,0459	-	57	13,1	14,8	0,0531	-	80	14,1	15,8	0,0612	-	105	15,2	18,2	0,0702	-	130	16,3	19,3	0,0792	10	155	17,4	20,4	0,0882	15	160	17,6	20,6	0,0900	35	180	18,4	21,4	0,0972	50	195	19,1	22,1	0,1026	60	205	19,5	22,5	0,1062	250 x	70	230	20,6	23,6	0,1152	BFL	250	-	5	11,9	13,6	0,0437	BFL	80	280	22,8	25,8	0,1332	90	235	20,8	23,8	0,1170	110	255	21,7	24,7	0,1242	135	280	22,8	25,8	0,1332	15	160	17,6	20,6	0,0900	35	180	18,4	21,4	0,0972	50	195	19,1	22,1	0,1026	60	205	19,5	22,5	0,1062	70	230	20,6	23,6	0,1152	80	280	22,8	25,8	0,1332	90	235	20,8	23,8	0,1170	110	255	21,7	24,7	0,1242	135	280	22,8	25,8	0,1332	280 x	180	235	27,1	30,1	0,1692	BFL	280	-	20	12,6	14,3	0,0506	BFL	-	-	9,8	11,5	0,0246	-	-	10,3	12	0,0287	-	-	10,8	12,5	0,0338	-	5	11,4	13,1	0,0390	-	20	12,1	13,8	0,0451	-	30	12,5	14,2	0,0492	-	37	12,9	14,6	0,0523	-	57	13,8	15,5	0,0605	-	80	14,8	16,5	0,0697	-	105	15,9	18,9	0,0800	-	130	17	20	0,0902	10	155	17,4	20,4	0,0882	15	160	17,6	20,6	0,0900	35	180	18,4	21,4	0,0972	50	195	19,1	22,1	0,1026	60	205	19,5	22,5	0,1062	70	230	20,6	23,6	0,1152	80	280	22,8	25,8	0,1332	90	235	20,8	23,8	0,1170	110	255	21,7	24,7	0,1242	135	280	22,8	25,8	0,1332	225 x	180	235	27,1	30,1	0,1692	BFL	280	-	30	13,1	14,8	0,0552	BFL	-	-	9,8	11,5	0,0246	-	-	10,3	12	0,0287	-	-	10,8	12,5	0,0338	-	5	11,4	13,1	0,0390	-	20	12,1	13,8	0,0451	-	30	12,5	14,2	0,0492	-	37	12,9	14,6	0,0523	-	57	13,8	15,5	0,0605	-	80	14,8	16,5	0,0697	-	105	15,9	18,9	0,0800	-	130	17	20	0,0902	10	155	17,4	20,4	0,0882	15	160	17,6	20,6	0,0900	35	180	18,4	21,4	0,0972	50	195	19,1	22,1	0,1026	60	205	19,5	22,5	0,1062	70	230	20,6	23,6	0,1152	80	280	22,8	25,8	0,1332	90	235	20,8	23,8	0,1170	110	255	21,7	24,7	0,1242	135	280	22,8	25,8	0,1332	225 x	180	235	27,1	30,1	0,1692	BFL	280	-	37	13,4	15,1	0,0587	BFL	-	-	9,8	11,5	0,0246	-	-	10,3	12	0,0287	-	-	10,8	12,5	0,0338	-	5	11,4	13,1	0,0390	-	20	12,1	13,8	0,0451	-	30	12,5	14,2	0,0492	-	37	12,9	14,6	0,0523	-	57	13,8	15,5	0,0605	-	80	14,8	16,5	0,0697	-	105	15,9	18,9	0,0800	-	130	17	20	0,0902	10	155	17,4	20,4	0,0882	15	160	17,6	20,6	0,0900	35	180	18,4	21,4	0,0972	50	195	19,1	22,1	0,1026	60	205	19,5	22,5	0,1062	70	230	20,6	23,6	0,1152	80	280	22,8	25,8	0,1332	90	235	20,8	23,8	0,1170	110	255	21,7	24,7	0,1242	135	280	22,8	25,8	0,1332	225 x	180	235	27,1	30,1	0,1692	BFL	280	-	57	14,4	16,1	0,0679	BFL	-	-	9,8	11,5	0,0246	-	-	10,3	12	0,0287	-	-	10,8	12,5	0,0338	-	5	11,4	13,1	0,0390	-	20	12,1	13,8	0,0451	-	30	12,5	14,2	0,0492	-	37	12,9	14,6	0,0523	-	57	13,8	15,5	0,0605	-	80	14,8	16,5	0,0697	-	105	15,9	18,9	0,0800	-	130	17	20	0,0902	10	155	17,4	20,4	0,0882	15	160	17,6	20,6	0,0900	35	180	18,4	21,4	0,0972	50	195	19,1	22,1	0,1026	60	205	19,5	22,5	0,1062	70	230	20,6	23,6	0,1152	80	280	22,8	25,8	0,1332	90	235	20,8	23,8	0,1170	110	255	21,7	24,7	0,1242	135	280	22,8	25,8	0,1332	225 x	180	235	27,1	30,1	0,1692	BFL	280	-	80	15,4	17,1	0,0782	BFL	-	-	9,8	11,5	0,0246	-	-	10,3	12	0,0287	-	-	10,8	12,5	0,0338	-	5	11,4	13,1	0,0390	-	20	12,1	13,8	0,0451	-	30	12,5	14,2	0,0492	-	37	12,9	14,6	0,0523	-	57	13,8	15,5	0,0605	-	80	14,8	16,5	0,0697	-	105	15,9	18,9	0,0800	-	130	17	20	0,0902	10	155	17,4	20,4	0,0882	15	160	17,6	20,6	0,0900	35	180	18,4	21,4	0,0972	50	195	19,1	22,1	0,1026	60	205	19,5	22,5	0,1062	70	230	20,6	23,6	0,1152	80	280	22,8	25,8	0,1332	90	235	20,8	23,8	0,1170	110	255	21,7	24,7	0,1242	135	280	22,8	25,8	0,1332	225 x	180	235	27,1	30,1	0,1692	BFL	280	-	105	16,6	19,6	0,0897	BFL	-	-	9,8	11,5	0,0246	-	-	10,3	12	0,0287	-	-	10,8	12,5	0,0338	-	5	11,4	13,1	0,0390	-	20	12,1	13,8	0,0451	-	30	12,5	14,2	0,0492	-	37	12,9	14,6	0,0523	-	57	13,8	15,5	0,0605	-	80	14,8	16,5	0,0697	-	105	15,9	18,9	0,0800	-	130	17	20	0,0902	10	155	17,4	20,4	0,0882	15	160	17,6	20,6	0,0900	35	180	18,4	21,4	0,0972	50	195	19,1	22,1	0,1026	60	205	19,5	22,5	0,1062	70	230	20,6	23,6	0,1152	80	280	22,8	25,8	0,1332	90	235	20,8	23,8	0,1170	110	255	21,7	24,7	0,1242	135	280	22,8	25,8	0,1332	225 x	180	235	27,1	30,1	0,1692	BFL	280	-	130	17,8	20,8	0,1012	BFL	-	-	9,8	11,5	0,0246	-	-	10,3	12	0,0287	-	-	10,8	12,5	0,0338	-	5	11,4	13,1	0,0390	-	20	12,1	13,8	0,0451	-	30	12,5	14,2	0,0492	-	37	12,9	14,6	0,0523	-	57	13,8	15,5	0,0605	-	80	14,8	16,5	0,0697	-	105	15,9	18,9	0,0800	-	130	17	20	0,0902	10	155	17,4	20,4	0,0882	15	160	17,6	20,6	0,0900	35	180	18,4	21,4	0,0972	50	195	19,1	22,1	0,1026	60	205	19,5	22,5	0,1062	70	230	20,6	23,6	0,1152	80	280	22,8	25,8	0,1332	90	235	20,8	23,8	0,1170	110	255	21,7	24,7	0,1242	135	280	22,8	25,8	0,1332	225 x	180	235	27,1	30,1	0,1692	BFL	280	-	155	18,9	21,9	0,1127	BFL	-	-	9,8	11,5	0,0246	-	-	10,3	12	0,0287	-	-	10,8	12,5	0,0338	-	5	11,4	13,1	0,0390	-	20	12,1	13,8	0,0451	-	30	12,5	14,2	0,0492	-	37	12,9	14,6	0,0523	-	57	13,8	15,5	0,0605	-	80	14,8	16,5	0,0697	-	105	15,9	18,9	0,0800	-	130	17	20	0,0902	10	155	17,4	20,4	0,0882	15	160	17,6	20,6	0,0900	35	180	18,4	21,4	0,0972	50	195	19,1	22,1	0,1026	60	205	19,5	22,5	0,1062	70	230	20,6	23,6	0,1152	80	280	22,8	25,8	0,1332	90	235	20,8	23,8	0,1170	110	255	21,7	24,7	0,1242	135	280	22																																																																																																																																																																																																																																																																																																																																																					
	-	-	9,9	11,6	0,0264		-	5	10,5	12,2	0,0304	-		20	11,1	12,8	0,0352	-	30	11,5	13,2	0,0384	-	37	11,8	13,5	0,0408	-	57	12,7	14,4	0,0472	-	80	13,6	15,3	0,0544	-	105	14,6	17,6	0,0624	-	130	15,7	18,7	0,0704	10	155	16,7	19,7	0,0784	15	160	16,9	19,9	0,0800	35	180	17,8	20,8	0,0864	50	195	18,4	21,4	0,0912	60	205	18,8	21,8	0,0944	200 x	70	230	19,9	22,9		0,1024	BFL	180	-	-		10,3	12	0,0276	BFL	80	280		22	25	0,1184	90	235	20,1	23,1	0,1040	110	255	20,9	23,9	0,1104	135	280	22	25	0,1184	15	160	16,9	19,9	0,0800	35	180	17,8	20,8	0,0864	50	195	18,4	21,4	0,0912	60	205	18,8	21,8	0,0944	70	230	19,9	22,9	0,1024	80	280	22	25	0,1184	90	235	20,1	23,1	0,1040	110	255	20,9	23,9	0,1104	135	280	22	25	0,1184	225 x	-		-	9,4	11,1	0,0216	BFL		225	-	-	11,3	13	0,0380		BFL	-	-	9,8	11,5	0,0252	-	-	10,3	12	0,0297	-	5	10,9	12,6	0,0396	-	20	11,5	13,2	0,0342	-	30	12	13,7	0,0432	-	37	12,3	14	0,0459	-	57	13,1	14,8	0,0531	-	80	14,1	15,8	0,0612	-	105	15,2	18,2	0,0702	-	130	16,3	19,3	0,0792	10	155	17,4	20,4	0,0882	15	160	17,6	20,6	0,0900	35	180	18,4	21,4	0,0972	50	195	19,1	22,1	0,1026	60	205	19,5	22,5		0,1062	250 x	70	230	20,6		23,6	0,1152	BFL	250	-	5		11,9	13,6	0,0437	BFL	80	280	22,8	25,8	0,1332	90	235	20,8	23,8	0,1170	110	255	21,7	24,7	0,1242	135	280	22,8	25,8	0,1332	15	160	17,6	20,6	0,0900	35	180	18,4	21,4	0,0972	50	195	19,1	22,1	0,1026	60	205	19,5	22,5	0,1062	70	230	20,6	23,6	0,1152	80	280	22,8	25,8	0,1332	90	235	20,8	23,8	0,1170	110	255	21,7	24,7	0,1242	135		280	22,8	25,8	0,1332	280 x		180	235	27,1	30,1	0,1692	BFL		280	-	20	12,6	14,3	0,0506	BFL	-	-	9,8	11,5	0,0246	-	-	10,3	12	0,0287	-	-	10,8	12,5	0,0338	-	5	11,4	13,1	0,0390	-	20	12,1	13,8	0,0451	-	30	12,5	14,2	0,0492	-	37	12,9	14,6	0,0523	-	57	13,8	15,5	0,0605	-	80	14,8	16,5	0,0697	-	105	15,9	18,9	0,0800	-	130	17	20	0,0902	10	155	17,4	20,4	0,0882	15	160	17,6	20,6	0,0900	35	180	18,4	21,4	0,0972	50	195	19,1	22,1	0,1026	60	205	19,5	22,5	0,1062	70	230	20,6	23,6	0,1152	80	280	22,8	25,8	0,1332	90	235	20,8	23,8	0,1170	110	255	21,7		24,7	0,1242	135	280	22,8		25,8	0,1332	225 x	180	235	27,1		30,1	0,1692	BFL	280	-	30	13,1	14,8	0,0552	BFL	-	-	9,8	11,5	0,0246	-	-	10,3	12	0,0287	-	-	10,8	12,5	0,0338	-	5	11,4	13,1	0,0390	-	20	12,1	13,8	0,0451	-	30	12,5	14,2	0,0492	-	37	12,9	14,6	0,0523	-	57	13,8	15,5	0,0605	-	80	14,8	16,5	0,0697	-	105	15,9	18,9	0,0800	-	130	17	20	0,0902	10	155	17,4	20,4	0,0882	15	160	17,6	20,6	0,0900	35	180	18,4	21,4	0,0972	50	195	19,1	22,1	0,1026	60	205	19,5	22,5	0,1062	70	230	20,6	23,6	0,1152	80	280	22,8	25,8	0,1332	90	235	20,8	23,8	0,1170		110	255	21,7	24,7	0,1242		135	280	22,8	25,8	0,1332	225 x		180	235	27,1	30,1	0,1692	BFL	280	-	37	13,4	15,1	0,0587	BFL	-	-	9,8	11,5	0,0246	-	-	10,3	12	0,0287	-	-	10,8	12,5	0,0338	-	5	11,4	13,1	0,0390	-	20	12,1	13,8	0,0451	-	30	12,5	14,2	0,0492	-	37	12,9	14,6	0,0523	-	57	13,8	15,5	0,0605	-	80	14,8	16,5	0,0697	-	105	15,9	18,9	0,0800	-	130	17	20	0,0902	10	155	17,4	20,4	0,0882	15	160	17,6	20,6	0,0900	35	180	18,4	21,4	0,0972	50	195	19,1	22,1	0,1026	60	205	19,5	22,5	0,1062	70	230	20,6	23,6	0,1152	80	280	22,8	25,8	0,1332	90	235		20,8	23,8	0,1170	110	255		21,7	24,7	0,1242	135	280	22,8		25,8	0,1332	225 x	180	235	27,1	30,1	0,1692	BFL	280	-	57	14,4	16,1	0,0679	BFL	-	-	9,8	11,5	0,0246	-	-	10,3	12	0,0287	-	-	10,8	12,5	0,0338	-	5	11,4	13,1	0,0390	-	20	12,1	13,8	0,0451	-	30	12,5	14,2	0,0492	-	37	12,9	14,6	0,0523	-	57	13,8	15,5	0,0605	-	80	14,8	16,5	0,0697	-	105	15,9	18,9	0,0800	-	130	17	20	0,0902	10	155	17,4	20,4	0,0882	15	160	17,6	20,6	0,0900	35	180	18,4	21,4	0,0972	50	195	19,1	22,1	0,1026	60	205	19,5	22,5	0,1062	70	230	20,6	23,6	0,1152	80	280	22,8	25,8		0,1332	90	235	20,8	23,8		0,1170	110	255	21,7	24,7	0,1242		135	280	22,8	25,8	0,1332	225 x	180	235	27,1	30,1	0,1692	BFL	280	-	80	15,4	17,1	0,0782	BFL	-	-	9,8	11,5	0,0246	-	-	10,3	12	0,0287	-	-	10,8	12,5	0,0338	-	5	11,4	13,1	0,0390	-	20	12,1	13,8	0,0451	-	30	12,5	14,2	0,0492	-	37	12,9	14,6	0,0523	-	57	13,8	15,5	0,0605	-	80	14,8	16,5	0,0697	-	105	15,9	18,9	0,0800	-	130	17	20	0,0902	10	155	17,4	20,4	0,0882	15	160	17,6	20,6	0,0900	35	180	18,4	21,4	0,0972	50	195	19,1	22,1	0,1026	60	205	19,5	22,5	0,1062	70	230	20,6	23,6	0,1152	80		280	22,8	25,8	0,1332	90		235	20,8	23,8	0,1170	110	255		21,7	24,7	0,1242	135	280	22,8	25,8	0,1332	225 x	180	235	27,1	30,1	0,1692	BFL	280	-	105	16,6	19,6	0,0897	BFL	-	-	9,8	11,5	0,0246	-	-	10,3	12	0,0287	-	-	10,8	12,5	0,0338	-	5	11,4	13,1	0,0390	-	20	12,1	13,8	0,0451	-	30	12,5	14,2	0,0492	-	37	12,9	14,6	0,0523	-	57	13,8	15,5	0,0605	-	80	14,8	16,5	0,0697	-	105	15,9	18,9	0,0800	-	130	17	20	0,0902	10	155	17,4	20,4	0,0882	15	160	17,6	20,6	0,0900	35	180	18,4	21,4	0,0972	50	195	19,1	22,1	0,1026	60	205	19,5	22,5	0,1062	70	230	20,6		23,6	0,1152	80	280	22,8		25,8	0,1332	90	235	20,8	23,8		0,1170	110	255	21,7	24,7	0,1242	135	280	22,8	25,8	0,1332	225 x	180	235	27,1	30,1	0,1692	BFL	280	-	130	17,8	20,8	0,1012	BFL	-	-	9,8	11,5	0,0246	-	-	10,3	12	0,0287	-	-	10,8	12,5	0,0338	-	5	11,4	13,1	0,0390	-	20	12,1	13,8	0,0451	-	30	12,5	14,2	0,0492	-	37	12,9	14,6	0,0523	-	57	13,8	15,5	0,0605	-	80	14,8	16,5	0,0697	-	105	15,9	18,9	0,0800	-	130	17	20	0,0902	10	155	17,4	20,4	0,0882	15	160	17,6	20,6	0,0900	35	180	18,4	21,4	0,0972	50	195	19,1	22,1	0,1026	60	205	19,5	22,5	0,1062		70	230	20,6	23,6	0,1152		80	280	22,8	25,8	0,1332	90		235	20,8	23,8	0,1170	110	255	21,7	24,7	0,1242	135	280	22,8	25,8	0,1332	225 x	180	235	27,1	30,1	0,1692	BFL	280	-	155	18,9	21,9	0,1127	BFL	-	-	9,8	11,5	0,0246	-	-	10,3	12	0,0287	-	-	10,8	12,5	0,0338	-	5	11,4	13,1	0,0390	-	20	12,1	13,8	0,0451	-	30	12,5	14,2	0,0492	-	37	12,9	14,6	0,0523	-	57	13,8	15,5	0,0605	-	80	14,8	16,5	0,0697	-	105	15,9	18,9	0,0800	-	130	17	20	0,0902	10	155	17,4	20,4	0,0882	15	160	17,6	20,6	0,0900	35	180	18,4	21,4	0,0972	50	195	19,1	22,1	0,1026	60	205	19,5	22,5	0,1062	70	230	20,6	23,6	0,1152	80	280	22,8	25,8	0,1332	90	235	20,8	23,8	0,1170	110	255	21,7	24,7	0,1242	135	280	22																																																																																																																																																																																																																																																																																																																									
	-	5	10,5	12,2	0,0304		-	20	11,1	12,8	0,0352	-		30	11,5	13,2	0,0384	-	37	11,8	13,5	0,0408	-	57	12,7	14,4	0,0472	-	80	13,6	15,3	0,0544	-	105	14,6	17,6	0,0624	-	130	15,7	18,7	0,0704	10	155	16,7	19,7	0,0784	15	160	16,9	19,9	0,0800	35	180	17,8	20,8	0,0864	50	195	18,4	21,4	0,0912	60	205	18,8	21,8	0,0944	200 x	70	230	19,9	22,9		0,1024	BFL	180	-		-		10,3	12	0,0276		BFL	80	280		22	25		0,1184	90	235	20,1	23,1	0,1040	110	255	20,9	23,9	0,1104	135	280	22	25	0,1184	15	160	16,9	19,9	0,0800	35	180	17,8	20,8	0,0864	50	195	18,4	21,4	0,0912	60	205	18,8	21,8	0,0944	70	230	19,9	22,9	0,1024	80	280	22	25	0,1184	90	235	20,1	23,1	0,1040	110	255	20,9	23,9	0,1104	135	280	22	25	0,1184	225 x	-		-		9,4	11,1	0,0216	BFL			225	-	-	11,3	13	0,0380			BFL	-	-	9,8	11,5	0,0252	-	-	10,3	12	0,0297	-	5	10,9	12,6	0,0396	-	20	11,5	13,2	0,0342	-	30	12	13,7	0,0432	-	37	12,3	14	0,0459	-	57	13,1	14,8	0,0531	-	80	14,1	15,8	0,0612	-	105	15,2	18,2	0,0702	-	130	16,3	19,3	0,0792	10	155	17,4	20,4	0,0882	15	160	17,6	20,6	0,0900	35	180	18,4	21,4	0,0972	50	195	19,1	22,1	0,1026	60	205	19,5		22,5		0,1062	250 x	70		230	20,6		23,6	0,1152	BFL		250	-	5		11,9	13,6	0,0437	BFL	80	280	22,8	25,8	0,1332	90	235	20,8	23,8	0,1170	110	255	21,7	24,7	0,1242	135	280	22,8	25,8	0,1332	15	160	17,6	20,6	0,0900	35	180	18,4	21,4	0,0972	50	195	19,1	22,1	0,1026	60	205	19,5	22,5	0,1062	70	230	20,6	23,6	0,1152	80	280	22,8	25,8	0,1332	90	235	20,8	23,8	0,1170	110	255		21,7	24,7	0,1242	135			280	22,8	25,8	0,1332	280 x			180	235	27,1	30,1	0,1692	BFL		280	-	20	12,6	14,3	0,0506	BFL	-	-	9,8	11,5	0,0246	-	-	10,3	12	0,0287	-	-	10,8	12,5	0,0338	-	5	11,4	13,1	0,0390	-	20	12,1	13,8	0,0451	-	30	12,5	14,2	0,0492	-	37	12,9	14,6	0,0523	-	57	13,8	15,5	0,0605	-	80	14,8	16,5	0,0697	-	105	15,9	18,9	0,0800	-	130	17	20	0,0902	10	155	17,4	20,4	0,0882	15	160	17,6	20,6	0,0900	35	180	18,4	21,4	0,0972	50	195	19,1	22,1	0,1026	60	205	19,5	22,5	0,1062	70	230	20,6	23,6	0,1152	80	280	22,8	25,8	0,1332	90		235	20,8	23,8	0,1170	110		255	21,7		24,7	0,1242	135		280	22,8		25,8	0,1332	225 x	180	235	27,1		30,1	0,1692	BFL	280	-	30	13,1	14,8	0,0552	BFL	-	-	9,8	11,5	0,0246	-	-	10,3	12	0,0287	-	-	10,8	12,5	0,0338	-	5	11,4	13,1	0,0390	-	20	12,1	13,8	0,0451	-	30	12,5	14,2	0,0492	-	37	12,9	14,6	0,0523	-	57	13,8	15,5	0,0605	-	80	14,8	16,5	0,0697	-	105	15,9	18,9	0,0800	-	130	17	20	0,0902	10	155	17,4	20,4	0,0882	15	160	17,6	20,6	0,0900	35	180	18,4	21,4	0,0972	50	195	19,1	22,1	0,1026	60	205	19,5	22,5	0,1062	70	230	20,6	23,6	0,1152		80	280	22,8	25,8	0,1332		90	235	20,8	23,8	0,1170			110	255	21,7	24,7	0,1242		135	280	22,8	25,8	0,1332	225 x		180	235	27,1	30,1	0,1692	BFL	280	-	37	13,4	15,1	0,0587	BFL	-	-	9,8	11,5	0,0246	-	-	10,3	12	0,0287	-	-	10,8	12,5	0,0338	-	5	11,4	13,1	0,0390	-	20	12,1	13,8	0,0451	-	30	12,5	14,2	0,0492	-	37	12,9	14,6	0,0523	-	57	13,8	15,5	0,0605	-	80	14,8	16,5	0,0697	-	105	15,9	18,9	0,0800	-	130	17	20	0,0902	10	155	17,4	20,4	0,0882	15	160	17,6	20,6	0,0900	35	180	18,4	21,4	0,0972	50	195	19,1	22,1	0,1026	60	205	19,5	22,5		0,1062	70	230	20,6	23,6		0,1152	80	280	22,8	25,8	0,1332		90	235		20,8	23,8	0,1170	110	255		21,7	24,7	0,1242	135	280	22,8		25,8	0,1332	225 x	180	235	27,1	30,1	0,1692	BFL	280	-	57	14,4	16,1	0,0679	BFL	-	-	9,8	11,5	0,0246	-	-	10,3	12	0,0287	-	-	10,8	12,5	0,0338	-	5	11,4	13,1	0,0390	-	20	12,1	13,8	0,0451	-	30	12,5	14,2	0,0492	-	37	12,9	14,6	0,0523	-	57	13,8	15,5	0,0605	-	80	14,8	16,5	0,0697	-	105	15,9	18,9	0,0800	-	130	17	20	0,0902	10	155	17,4	20,4	0,0882	15	160	17,6	20,6	0,0900	35	180	18,4	21,4	0,0972	50	195	19,1		22,1	0,1026	60	205	19,5		22,5	0,1062	70	230	20,6	23,6		0,1152	80	280	22,8	25,8		0,1332	90	235	20,8	23,8		0,1170	110	255	21,7	24,7	0,1242		135	280	22,8	25,8	0,1332	225 x	180	235	27,1	30,1	0,1692	BFL	280	-	80	15,4	17,1	0,0782	BFL	-	-	9,8	11,5	0,0246	-	-	10,3	12	0,0287	-	-	10,8	12,5	0,0338	-	5	11,4	13,1	0,0390	-	20	12,1	13,8	0,0451	-	30	12,5	14,2	0,0492	-	37	12,9	14,6	0,0523	-	57	13,8	15,5	0,0605	-	80	14,8	16,5	0,0697	-	105	15,9	18,9	0,0800	-	130	17	20	0,0902	10	155	17,4	20,4	0,0882	15	160	17,6	20,6	0,0900	35	180		18,4	21,4	0,0972	50	195		19,1	22,1	0,1026	60	205	19,5		22,5	0,1062	70	230	20,6	23,6	0,1152	80		280	22,8	25,8	0,1332	90		235	20,8	23,8	0,1170	110	255		21,7	24,7	0,1242	135	280	22,8	25,8	0,1332	225 x	180	235	27,1	30,1	0,1692	BFL	280	-	105	16,6	19,6	0,0897	BFL	-	-	9,8	11,5	0,0246	-	-	10,3	12	0,0287	-	-	10,8	12,5	0,0338	-	5	11,4	13,1	0,0390	-	20	12,1	13,8	0,0451	-	30	12,5	14,2	0,0492	-	37	12,9	14,6	0,0523	-	57	13,8	15,5	0,0605	-	80	14,8	16,5	0,0697	-	105	15,9	18,9	0,0800	-	130	17	20	0,0902	10	155	17,4	20,4	0,0882	15		160	17,6	20,6	0,0900	35		180	18,4	21,4	0,0972	50	195		19,1	22,1	0,1026	60	205	19,5	22,5	0,1062	70	230	20,6		23,6	0,1152	80	280	22,8		25,8	0,1332	90	235	20,8	23,8		0,1170	110	255	21,7	24,7	0,1242	135	280	22,8	25,8	0,1332	225 x	180	235	27,1	30,1	0,1692	BFL	280	-	130	17,8	20,8	0,1012	BFL	-	-	9,8	11,5	0,0246	-	-	10,3	12	0,0287	-	-	10,8	12,5	0,0338	-	5	11,4	13,1	0,0390	-	20	12,1	13,8	0,0451	-	30	12,5	14,2	0,0492	-	37	12,9	14,6	0,0523	-	57	13,8	15,5	0,0605	-	80	14,8	16,5	0,0697	-	105	15,9	18,9	0,0800	-	130	17	20	0,0902		10	155	17,4	20,4	0,0882		15	160	17,6	20,6	0,0900	35		180	18,4	21,4	0,0972	50	195	19,1	22,1	0,1026	60	205	19,5	22,5	0,1062		70	230	20,6	23,6	0,1152		80	280	22,8	25,8	0,1332	90		235	20,8	23,8	0,1170	110	255	21,7	24,7	0,1242	135	280	22,8	25,8	0,1332	225 x	180	235	27,1	30,1	0,1692	BFL	280	-	155	18,9	21,9	0,1127	BFL	-	-	9,8	11,5	0,0246	-	-	10,3	12	0,0287	-	-	10,8	12,5	0,0338	-	5	11,4	13,1	0,0390	-	20	12,1	13,8	0,0451	-	30	12,5	14,2	0,0492	-	37	12,9	14,6	0,0523	-	57	13,8	15,5	0,0605	-	80	14,8	16,5	0,0697	-	105	15,9	18,9	0,0800	-	130	17	20	0,0902	10	155	17,4	20,4	0,0882	15	160	17,6	20,6	0,0900	35	180	18,4	21,4	0,0972	50	195	19,1	22,1	0,1026	60	205	19,5	22,5	0,1062	70	230	20,6	23,6	0,1152	80	280	22,8	25,8	0,1332	90	235	20,8	23,8	0,1170	110	255	21,7	24,7	0,1242	135	280	22																																																																																																																																																																																																																																																																																													
	-	20	11,1	12,8	0,0352		-	30	11,5	13,2	0,0384	-		37	11,8	13,5	0,0408	-	57	12,7	14,4	0,0472	-	80	13,6	15,3	0,0544	-	105	14,6	17,6	0,0624	-	130	15,7	18,7	0,0704	10	155	16,7	19,7	0,0784	15	160	16,9	19,9	0,0800	35	180	17,8	20,8	0,0864	50	195	18,4	21,4	0,0912	60	205	18,8	21,8	0,0944	200 x	70	230	19,9	22,9		0,1024	BFL	180	-		-		10,3	12		0,0276		BFL	80	280			22	25		0,1184	90		235	20,1	23,1	0,1040	110	255	20,9	23,9	0,1104	135	280	22	25	0,1184	15	160	16,9	19,9	0,0800	35	180	17,8	20,8	0,0864	50	195	18,4	21,4	0,0912	60	205	18,8	21,8	0,0944	70	230	19,9	22,9	0,1024	80	280	22	25	0,1184	90	235	20,1	23,1	0,1040	110	255	20,9	23,9	0,1104	135	280	22	25	0,1184	225 x	-		-		9,4		11,1	0,0216	BFL				225	-	-	11,3	13	0,0380				BFL	-	-	9,8	11,5	0,0252	-	-	10,3	12	0,0297	-	5	10,9	12,6	0,0396	-	20	11,5	13,2	0,0342	-	30	12	13,7	0,0432	-	37	12,3	14	0,0459	-	57	13,1	14,8	0,0531	-	80	14,1	15,8	0,0612	-	105	15,2	18,2	0,0702	-	130	16,3	19,3	0,0792	10	155	17,4	20,4	0,0882	15	160	17,6	20,6	0,0900	35	180	18,4	21,4	0,0972	50	195	19,1	22,1	0,1026	60	205		19,5		22,5		0,1062		250 x	70		230	20,6			23,6	0,1152	BFL		250	-	5		11,9	13,6	0,0437	BFL	80	280	22,8	25,8	0,1332	90	235	20,8	23,8	0,1170	110	255	21,7	24,7	0,1242	135	280	22,8	25,8	0,1332	15	160	17,6	20,6	0,0900	35	180	18,4	21,4	0,0972	50	195	19,1	22,1	0,1026	60	205	19,5	22,5	0,1062	70	230	20,6	23,6	0,1152	80	280	22,8	25,8	0,1332	90	235	20,8		23,8	0,1170	110	255			21,7	24,7	0,1242	135				280	22,8	25,8	0,1332	280 x			180	235	27,1	30,1	0,1692	BFL		280	-	20	12,6	14,3	0,0506	BFL	-	-	9,8	11,5	0,0246	-	-	10,3	12	0,0287	-	-	10,8	12,5	0,0338	-	5	11,4	13,1	0,0390	-	20	12,1	13,8	0,0451	-	30	12,5	14,2	0,0492	-	37	12,9	14,6	0,0523	-	57	13,8	15,5	0,0605	-	80	14,8	16,5	0,0697	-	105	15,9	18,9	0,0800	-	130	17	20	0,0902	10	155	17,4	20,4	0,0882	15	160	17,6	20,6	0,0900	35	180	18,4	21,4	0,0972	50	195	19,1	22,1	0,1026	60	205	19,5	22,5	0,1062	70	230	20,6	23,6		0,1152	80	280	22,8	25,8		0,1332	90		235	20,8	23,8		0,1170	110		255	21,7		24,7	0,1242	135		280	22,8		25,8	0,1332	225 x	180	235	27,1		30,1	0,1692	BFL	280	-	30	13,1	14,8	0,0552	BFL	-	-	9,8	11,5	0,0246	-	-	10,3	12	0,0287	-	-	10,8	12,5	0,0338	-	5	11,4	13,1	0,0390	-	20	12,1	13,8	0,0451	-	30	12,5	14,2	0,0492	-	37	12,9	14,6	0,0523	-	57	13,8	15,5	0,0605	-	80	14,8	16,5	0,0697	-	105	15,9	18,9	0,0800	-	130	17	20	0,0902	10	155	17,4	20,4	0,0882	15	160	17,6	20,6	0,0900	35	180	18,4	21,4	0,0972	50	195	19,1	22,1	0,1026		60	205	19,5	22,5	0,1062		70	230	20,6	23,6	0,1152			80	280	22,8	25,8	0,1332		90	235	20,8	23,8	0,1170			110	255	21,7	24,7	0,1242		135	280	22,8	25,8	0,1332	225 x		180	235	27,1	30,1	0,1692	BFL	280	-	37	13,4	15,1	0,0587	BFL	-	-	9,8	11,5	0,0246	-	-	10,3	12	0,0287	-	-	10,8	12,5	0,0338	-	5	11,4	13,1	0,0390	-	20	12,1	13,8	0,0451	-	30	12,5	14,2	0,0492	-	37	12,9	14,6	0,0523	-	57	13,8	15,5	0,0605	-	80	14,8	16,5	0,0697	-	105	15,9	18,9	0,0800	-	130	17	20	0,0902	10	155	17,4	20,4	0,0882	15	160	17,6	20,6	0,0900	35		180	18,4	21,4	0,0972	50		195	19,1	22,1	0,1026	60	205		19,5	22,5		0,1062	70	230	20,6	23,6		0,1152	80	280	22,8	25,8	0,1332		90	235		20,8	23,8	0,1170	110	255		21,7	24,7	0,1242	135	280	22,8		25,8	0,1332	225 x	180	235	27,1	30,1	0,1692	BFL	280	-	57	14,4	16,1	0,0679	BFL	-	-	9,8	11,5	0,0246	-	-	10,3	12	0,0287	-	-	10,8	12,5	0,0338	-	5	11,4	13,1	0,0390	-	20	12,1	13,8	0,0451	-	30	12,5	14,2	0,0492	-	37	12,9	14,6	0,0523	-	57	13,8	15,5	0,0605	-	80	14,8	16,5	0,0697	-	105	15,9	18,9	0,0800	-	130	17	20	0,0902	10	155		17,4	20,4	0,0882	15	160		17,6	20,6	0,0900	35	180	18,4		21,4	0,0972	50	195	19,1		22,1	0,1026	60	205	19,5		22,5	0,1062	70	230	20,6	23,6		0,1152	80	280	22,8	25,8		0,1332	90	235	20,8	23,8		0,1170	110	255	21,7	24,7	0,1242		135	280	22,8	25,8	0,1332	225 x	180	235	27,1	30,1	0,1692	BFL	280	-	80	15,4	17,1	0,0782	BFL	-	-	9,8	11,5	0,0246	-	-	10,3	12	0,0287	-	-	10,8	12,5	0,0338	-	5	11,4	13,1	0,0390	-	20	12,1	13,8	0,0451	-	30	12,5	14,2	0,0492	-	37	12,9	14,6	0,0523	-	57	13,8	15,5	0,0605	-	80	14,8	16,5	0,0697	-	105	15,9		18,9	0,0800	-	130	17		20	0,0902	10	155	17,4	20,4		0,0882	15	160	17,6	20,6	0,0900	35	180		18,4	21,4	0,0972	50	195		19,1	22,1	0,1026	60	205	19,5		22,5	0,1062	70	230	20,6	23,6	0,1152	80		280	22,8	25,8	0,1332	90		235	20,8	23,8	0,1170	110	255		21,7	24,7	0,1242	135	280	22,8	25,8	0,1332	225 x	180	235	27,1	30,1	0,1692	BFL	280	-	105	16,6	19,6	0,0897	BFL	-	-	9,8	11,5	0,0246	-	-	10,3	12	0,0287	-	-	10,8	12,5	0,0338	-	5	11,4	13,1	0,0390	-	20	12,1	13,8	0,0451	-	30	12,5	14,2	0,0492	-	37	12,9	14,6	0,0523	-	57	13,8	15,5		0,0605	-	80	14,8	16,5		0,0697	-	105	15,9	18,9	0,0800		-	130	17	20	0,0902	10	155	17,4	20,4	0,0882	15		160	17,6	20,6	0,0900	35		180	18,4	21,4	0,0972	50	195		19,1	22,1	0,1026	60	205	19,5	22,5	0,1062	70	230	20,6		23,6	0,1152	80	280	22,8		25,8	0,1332	90	235	20,8	23,8		0,1170	110	255	21,7	24,7	0,1242	135	280	22,8	25,8	0,1332	225 x	180	235	27,1	30,1	0,1692	BFL	280	-	130	17,8	20,8	0,1012	BFL	-	-	9,8	11,5	0,0246	-	-	10,3	12	0,0287	-	-	10,8	12,5	0,0338	-	5	11,4	13,1	0,0390	-	20	12,1	13,8	0,0451	-	30	12,5	14,2	0,0492		-	37	12,9	14,6	0,0523		-	57	13,8	15,5	0,0605	-		80	14,8	16,5	0,0697	-	105	15,9	18,9	0,0800	-	130	17	20	0,0902		10	155	17,4	20,4	0,0882		15	160	17,6	20,6	0,0900	35		180	18,4	21,4	0,0972	50	195	19,1	22,1	0,1026	60	205	19,5	22,5	0,1062		70	230	20,6	23,6	0,1152		80	280	22,8	25,8	0,1332	90		235	20,8	23,8	0,1170	110	255	21,7	24,7	0,1242	135	280	22,8	25,8	0,1332	225 x	180	235	27,1	30,1	0,1692	BFL	280	-	155	18,9	21,9	0,1127	BFL	-	-	9,8	11,5	0,0246	-	-	10,3	12	0,0287	-	-	10,8	12,5	0,0338	-	5	11,4	13,1	0,0390	-	20	12,1	13,8	0,0451	-	30	12,5	14,2	0,0492	-	37	12,9	14,6	0,0523	-	57	13,8	15,5	0,0605	-	80	14,8	16,5	0,0697	-	105	15,9	18,9	0,0800	-	130	17	20	0,0902	10	155	17,4	20,4	0,0882	15	160	17,6	20,6	0,0900	35	180	18,4	21,4	0,0972	50	195	19,1	22,1	0,1026	60	205	19,5	22,5	0,1062	70	230	20,6	23,6	0,1152	80	280	22,8	25,8	0,1332	90	235	20,8	23,8	0,1170	110	255	21,7	24,7	0,1242	135	280	22																																																																																																																																																																																																																																																																	
	-	30	11,5	13,2	0,0384		-	37	11,8	13,5	0,0408	-		57	12,7	14,4	0,0472	-	80	13,6	15,3	0,0544	-	105	14,6	17,6	0,0624	-	130	15,7	18,7	0,0704	10	155	16,7	19,7	0,0784	15	160	16,9	19,9	0,0800	35	180	17,8	20,8	0,0864	50	195	18,4	21,4	0,0912	60	205	18,8	21,8	0,0944	200 x	70	230	19,9	22,9		0,1024	BFL	180	-		-		10,3	12		0,0276		BFL	80		280			22	25			0,1184	90		235	20,1		23,1	0,1040	110	255	20,9	23,9	0,1104	135	280	22	25	0,1184	15	160	16,9	19,9	0,0800	35	180	17,8	20,8	0,0864	50	195	18,4	21,4	0,0912	60	205	18,8	21,8	0,0944	70	230	19,9	22,9	0,1024	80	280	22	25	0,1184	90	235	20,1	23,1	0,1040	110	255	20,9	23,9	0,1104	135	280	22	25	0,1184	225 x	-		-		9,4		11,1		0,0216	BFL					225	-	-	11,3	13	0,0380					BFL	-	-	9,8	11,5	0,0252	-	-	10,3	12	0,0297	-	5	10,9	12,6	0,0396	-	20	11,5	13,2	0,0342	-	30	12	13,7	0,0432	-	37	12,3	14	0,0459	-	57	13,1	14,8	0,0531	-	80	14,1	15,8	0,0612	-	105	15,2	18,2	0,0702	-	130	16,3	19,3	0,0792	10	155	17,4	20,4	0,0882	15	160	17,6	20,6	0,0900	35	180	18,4	21,4	0,0972	50	195	19,1	22,1	0,1026	60		205		19,5		22,5			0,1062		250 x	70			230	20,6			23,6	0,1152	BFL		250	-	5		11,9	13,6	0,0437	BFL	80	280	22,8	25,8	0,1332	90	235	20,8	23,8	0,1170	110	255	21,7	24,7	0,1242	135	280	22,8	25,8	0,1332	15	160	17,6	20,6	0,0900	35	180	18,4	21,4	0,0972	50	195	19,1	22,1	0,1026	60	205	19,5	22,5	0,1062	70	230	20,6	23,6	0,1152	80	280	22,8	25,8		0,1332	90	235	20,8			23,8	0,1170	110	255				21,7	24,7	0,1242	135				280	22,8	25,8	0,1332	280 x			180	235	27,1	30,1	0,1692	BFL		280	-	20	12,6	14,3	0,0506	BFL	-	-	9,8	11,5	0,0246	-	-	10,3	12	0,0287	-	-	10,8	12,5	0,0338	-	5	11,4	13,1	0,0390	-	20	12,1	13,8	0,0451	-	30	12,5	14,2	0,0492	-	37	12,9	14,6	0,0523	-	57	13,8	15,5	0,0605	-	80	14,8	16,5	0,0697	-	105	15,9	18,9	0,0800	-	130	17	20	0,0902	10	155	17,4	20,4	0,0882	15	160	17,6	20,6	0,0900	35	180	18,4	21,4	0,0972	50	195	19,1	22,1	0,1026	60	205		19,5	22,5	0,1062	70	230		20,6	23,6		0,1152	80	280		22,8	25,8		0,1332	90		235	20,8	23,8		0,1170	110		255	21,7		24,7	0,1242	135		280	22,8		25,8	0,1332	225 x	180	235	27,1		30,1	0,1692	BFL	280	-	30	13,1	14,8	0,0552	BFL	-	-	9,8	11,5	0,0246	-	-	10,3	12	0,0287	-	-	10,8	12,5	0,0338	-	5	11,4	13,1	0,0390	-	20	12,1	13,8	0,0451	-	30	12,5	14,2	0,0492	-	37	12,9	14,6	0,0523	-	57	13,8	15,5	0,0605	-	80	14,8	16,5	0,0697	-	105	15,9	18,9	0,0800	-	130	17	20	0,0902	10	155	17,4	20,4	0,0882	15	160	17,6	20,6	0,0900		35	180	18,4	21,4	0,0972		50	195	19,1	22,1	0,1026			60	205	19,5	22,5	0,1062		70	230	20,6	23,6	0,1152			80	280	22,8	25,8	0,1332		90	235	20,8	23,8	0,1170			110	255	21,7	24,7	0,1242		135	280	22,8	25,8	0,1332	225 x		180	235	27,1	30,1	0,1692	BFL	280	-	37	13,4	15,1	0,0587	BFL	-	-	9,8	11,5	0,0246	-	-	10,3	12	0,0287	-	-	10,8	12,5	0,0338	-	5	11,4	13,1	0,0390	-	20	12,1	13,8	0,0451	-	30	12,5	14,2	0,0492	-	37	12,9	14,6	0,0523	-	57	13,8	15,5	0,0605	-	80	14,8	16,5	0,0697	-	105	15,9	18,9	0,0800	-	130	17		20	0,0902	10	155	17,4		20,4	0,0882	15	160	17,6	20,6		0,0900	35		180	18,4	21,4	0,0972	50		195	19,1	22,1	0,1026	60	205		19,5	22,5		0,1062	70	230	20,6	23,6		0,1152	80	280	22,8	25,8	0,1332		90	235		20,8	23,8	0,1170	110	255		21,7	24,7	0,1242	135	280	22,8		25,8	0,1332	225 x	180	235	27,1	30,1	0,1692	BFL	280	-	57	14,4	16,1	0,0679	BFL	-	-	9,8	11,5	0,0246	-	-	10,3	12	0,0287	-	-	10,8	12,5	0,0338	-	5	11,4	13,1	0,0390	-	20	12,1	13,8	0,0451	-	30	12,5	14,2	0,0492	-	37	12,9	14,6	0,0523	-	57	13,8	15,5	0,0605	-		80	14,8	16,5	0,0697	-		105	15,9	18,9	0,0800	-	130		17	20	0,0902	10	155		17,4	20,4	0,0882	15	160		17,6	20,6	0,0900	35	180	18,4		21,4	0,0972	50	195	19,1		22,1	0,1026	60	205	19,5		22,5	0,1062	70	230	20,6	23,6		0,1152	80	280	22,8	25,8		0,1332	90	235	20,8	23,8		0,1170	110	255	21,7	24,7	0,1242		135	280	22,8	25,8	0,1332	225 x	180	235	27,1	30,1	0,1692	BFL	280	-	80	15,4	17,1	0,0782	BFL	-	-	9,8	11,5	0,0246	-	-	10,3	12	0,0287	-	-	10,8	12,5	0,0338	-	5	11,4	13,1	0,0390	-	20	12,1	13,8	0,0451	-	30	12,5	14,2		0,0492	-	37	12,9	14,6		0,0523	-	57	13,8	15,5	0,0605		-	80	14,8	16,5	0,0697	-	105	15,9		18,9	0,0800	-	130	17		20	0,0902	10	155	17,4	20,4		0,0882	15	160	17,6	20,6	0,0900	35	180		18,4	21,4	0,0972	50	195		19,1	22,1	0,1026	60	205	19,5		22,5	0,1062	70	230	20,6	23,6	0,1152	80		280	22,8	25,8	0,1332	90		235	20,8	23,8	0,1170	110	255		21,7	24,7	0,1242	135	280	22,8	25,8	0,1332	225 x	180	235	27,1	30,1	0,1692	BFL	280	-	105	16,6	19,6	0,0897	BFL	-	-	9,8	11,5	0,0246	-	-	10,3	12	0,0287	-	-	10,8	12,5	0,0338	-	5		11,4	13,1	0,0390	-	20		12,1	13,8	0,0451	-	30	12,5		14,2	0,0492	-	37	12,9	14,6	0,0523	-	57	13,8	15,5		0,0605	-	80	14,8	16,5		0,0697	-	105	15,9	18,9	0,0800		-	130	17	20	0,0902	10	155	17,4	20,4	0,0882	15		160	17,6	20,6	0,0900	35		180	18,4	21,4	0,0972	50	195		19,1	22,1	0,1026	60	205	19,5	22,5	0,1062	70	230	20,6		23,6	0,1152	80	280	22,8		25,8	0,1332	90	235	20,8	23,8		0,1170	110	255	21,7	24,7	0,1242	135	280	22,8	25,8	0,1332	225 x	180	235	27,1	30,1	0,1692	BFL	280	-	130	17,8	20,8	0,1012	BFL	-	-	9,8	11,5	0,0246		-	-	10,3	12	0,0287		-	-	10,8	12,5	0,0338	-		5	11,4	13,1	0,0390	-	20	12,1	13,8	0,0451	-	30	12,5	14,2	0,0492		-	37	12,9	14,6	0,0523		-	57	13,8	15,5	0,0605	-		80	14,8	16,5	0,0697	-	105	15,9	18,9	0,0800	-	130	17	20	0,0902		10	155	17,4	20,4	0,0882		15	160	17,6	20,6	0,0900	35		180	18,4	21,4	0,0972	50	195	19,1	22,1	0,1026	60	205	19,5	22,5	0,1062		70	230	20,6	23,6	0,1152		80	280	22,8	25,8	0,1332	90		235	20,8	23,8	0,1170	110	255	21,7	24,7	0,1242	135	280	22,8	25,8	0,1332	225 x	180	235	27,1	30,1	0,1692	BFL	280	-	155	18,9	21,9	0,1127	BFL	-	-	9,8	11,5	0,0246	-	-	10,3	12	0,0287	-	-	10,8	12,5	0,0338	-	5	11,4	13,1	0,0390	-	20	12,1	13,8	0,0451	-	30	12,5	14,2	0,0492	-	37	12,9	14,6	0,0523	-	57	13,8	15,5	0,0605	-	80	14,8	16,5	0,0697	-	105	15,9	18,9	0,0800	-	130	17	20	0,0902	10	155	17,4	20,4	0,0882	15	160	17,6	20,6	0,0900	35	180	18,4	21,4	0,0972	50	195	19,1	22,1	0,1026	60	205	19,5	22,5	0,1062	70	230	20,6	23,6	0,1152	80	280	22,8	25,8	0,1332	90	235	20,8	23,8	0,1170	110	255	21,7	24,7	0,1242	135	280	22																																																																																																																																																																																																																																					
	-	37	11,8	13,5	0,0408		-	57	12,7	14,4	0,0472	-		80	13,6	15,3	0,0544	-	105	14,6	17,6	0,0624	-	130	15,7	18,7	0,0704	10	155	16,7	19,7	0,0784	15	160	16,9	19,9	0,0800	35	180	17,8	20,8	0,0864	50	195	18,4	21,4	0,0912	60	205	18,8	21,8	0,0944	200 x	70	230	19,9	22,9		0,1024	BFL	180	-		-		10,3	12		0,0276		BFL	80		280			22		25			0,1184	90			235	20,1		23,1	0,1040		110	255	20,9	23,9	0,1104	135	280	22	25	0,1184	15	160	16,9	19,9	0,0800	35	180	17,8	20,8	0,0864	50	195	18,4	21,4	0,0912	60	205	18,8	21,8	0,0944	70	230	19,9	22,9	0,1024	80	280	22	25	0,1184	90	235	20,1	23,1	0,1040	110	255	20,9	23,9	0,1104	135	280	22	25	0,1184	225 x	-		-		9,4		11,1		0,0216		BFL						225	-	-	11,3	13	0,0380						BFL	-	-	9,8	11,5	0,0252	-	-	10,3	12	0,0297	-	5	10,9	12,6	0,0396	-	20	11,5	13,2	0,0342	-	30	12	13,7	0,0432	-	37	12,3	14	0,0459	-	57	13,1	14,8	0,0531	-	80	14,1	15,8	0,0612	-	105	15,2	18,2	0,0702	-	130	16,3	19,3	0,0792	10	155	17,4	20,4	0,0882	15	160	17,6	20,6	0,0900	35	180	18,4	21,4	0,0972	50	195	19,1	22,1	0,1026		60		205		19,5			22,5			0,1062			250 x	70			230	20,6			23,6	0,1152	BFL		250	-	5		11,9	13,6	0,0437	BFL	80	280	22,8	25,8	0,1332	90	235	20,8	23,8	0,1170	110	255	21,7	24,7	0,1242	135	280	22,8	25,8	0,1332	15	160	17,6	20,6	0,0900	35	180	18,4	21,4	0,0972	50	195	19,1	22,1	0,1026	60	205	19,5	22,5	0,1062	70	230	20,6	23,6	0,1152		80	280	22,8	25,8			0,1332	90	235	20,8				23,8	0,1170	110	255				21,7	24,7	0,1242	135				280	22,8	25,8	0,1332	280 x			180	235	27,1	30,1	0,1692	BFL		280	-	20	12,6	14,3	0,0506	BFL	-	-	9,8	11,5	0,0246	-	-	10,3	12	0,0287	-	-	10,8	12,5	0,0338	-	5	11,4	13,1	0,0390	-	20	12,1	13,8	0,0451	-	30	12,5	14,2	0,0492	-	37	12,9	14,6	0,0523	-	57	13,8	15,5	0,0605	-	80	14,8	16,5	0,0697	-	105	15,9	18,9	0,0800	-	130	17	20	0,0902	10	155	17,4	20,4	0,0882	15	160	17,6	20,6	0,0900	35	180	18,4	21,4	0,0972		50	195	19,1	22,1	0,1026		60	205		19,5	22,5	0,1062		70	230		20,6	23,6		0,1152	80	280		22,8	25,8		0,1332	90		235	20,8	23,8		0,1170	110		255	21,7		24,7	0,1242	135		280	22,8		25,8	0,1332	225 x	180	235	27,1		30,1	0,1692	BFL	280	-	30	13,1	14,8	0,0552	BFL	-	-	9,8	11,5	0,0246	-	-	10,3	12	0,0287	-	-	10,8	12,5	0,0338	-	5	11,4	13,1	0,0390	-	20	12,1	13,8	0,0451	-	30	12,5	14,2	0,0492	-	37	12,9	14,6	0,0523	-	57	13,8	15,5	0,0605	-	80	14,8	16,5	0,0697	-	105	15,9	18,9	0,0800	-	130	17	20	0,0902		10	155	17,4	20,4	0,0882		15	160	17,6	20,6	0,0900			35	180	18,4	21,4	0,0972		50	195	19,1	22,1	0,1026			60	205	19,5	22,5	0,1062		70	230	20,6	23,6	0,1152			80	280	22,8	25,8	0,1332		90	235	20,8	23,8	0,1170			110	255	21,7	24,7	0,1242		135	280	22,8	25,8	0,1332	225 x		180	235	27,1	30,1	0,1692	BFL	280	-	37	13,4	15,1	0,0587	BFL	-	-	9,8	11,5	0,0246	-	-	10,3	12	0,0287	-	-	10,8	12,5	0,0338	-	5	11,4	13,1	0,0390	-	20	12,1	13,8	0,0451	-	30	12,5	14,2	0,0492	-	37	12,9	14,6	0,0523	-	57	13,8	15,5	0,0605		-	80	14,8	16,5	0,0697		-	105	15,9	18,9	0,0800	-		130	17		20	0,0902	10	155	17,4		20,4	0,0882	15	160	17,6	20,6		0,0900	35		180	18,4	21,4	0,0972	50		195	19,1	22,1	0,1026	60	205		19,5	22,5		0,1062	70	230	20,6	23,6		0,1152	80	280	22,8	25,8	0,1332		90	235		20,8	23,8	0,1170	110	255		21,7	24,7	0,1242	135	280	22,8		25,8	0,1332	225 x	180	235	27,1	30,1	0,1692	BFL	280	-	57	14,4	16,1	0,0679	BFL	-	-	9,8	11,5	0,0246	-	-	10,3	12	0,0287	-	-	10,8	12,5	0,0338	-	5	11,4	13,1	0,0390	-	20	12,1	13,8	0,0451		-	30	12,5	14,2	0,0492		-	37	12,9	14,6	0,0523	-		57	13,8	15,5	0,0605	-		80	14,8	16,5	0,0697	-		105	15,9	18,9	0,0800	-	130		17	20	0,0902	10	155		17,4	20,4	0,0882	15	160		17,6	20,6	0,0900	35	180	18,4		21,4	0,0972	50	195	19,1		22,1	0,1026	60	205	19,5		22,5	0,1062	70	230	20,6	23,6		0,1152	80	280	22,8	25,8		0,1332	90	235	20,8	23,8		0,1170	110	255	21,7	24,7	0,1242		135	280	22,8	25,8	0,1332	225 x	180	235	27,1	30,1	0,1692	BFL	280	-	80	15,4	17,1	0,0782	BFL	-	-	9,8	11,5	0,0246	-	-	10,3	12	0,0287		-	-	10,8	12,5	0,0338		-	5	11,4	13,1	0,0390	-		20	12,1	13,8	0,0451	-	30	12,5	14,2		0,0492	-	37	12,9	14,6		0,0523	-	57	13,8	15,5	0,0605		-	80	14,8	16,5	0,0697	-	105	15,9		18,9	0,0800	-	130	17		20	0,0902	10	155	17,4	20,4		0,0882	15	160	17,6	20,6	0,0900	35	180		18,4	21,4	0,0972	50	195		19,1	22,1	0,1026	60	205	19,5		22,5	0,1062	70	230	20,6	23,6	0,1152	80		280	22,8	25,8	0,1332	90		235	20,8	23,8	0,1170	110	255		21,7	24,7	0,1242	135	280	22,8	25,8	0,1332	225 x	180	235	27,1	30,1	0,1692	BFL	280	-		105	16,6	19,6	0,0897	BFL		-	-	9,8	11,5	0,0246	-		-	10,3	12	0,0287	-	-	10,8	12,5	0,0338	-	5		11,4	13,1	0,0390	-	20		12,1	13,8	0,0451	-	30	12,5		14,2	0,0492	-	37	12,9	14,6	0,0523	-	57	13,8	15,5		0,0605	-	80	14,8	16,5		0,0697	-	105	15,9	18,9	0,0800		-	130	17	20	0,0902	10	155	17,4	20,4	0,0882	15		160	17,6	20,6	0,0900	35		180	18,4	21,4	0,0972	50	195		19,1	22,1	0,1026	60	205	19,5	22,5	0,1062	70	230	20,6		23,6	0,1152	80	280	22,8		25,8	0,1332	90	235	20,8	23,8		0,1170	110	255	21,7	24,7		0,1242	135	280	22,8	25,8		0,1332	225 x	180	235	27,1	30,1		0,1692	BFL	280	-	130	17,8	20,8	0,1012	BFL	-	-	9,8	11,5	0,0246		-	-	10,3	12	0,0287		-	-	10,8	12,5	0,0338	-		5	11,4	13,1	0,0390	-	20	12,1	13,8	0,0451	-	30	12,5	14,2	0,0492		-	37	12,9	14,6	0,0523		-	57	13,8	15,5	0,0605	-		80	14,8	16,5	0,0697	-	105	15,9	18,9	0,0800	-	130	17	20	0,0902		10	155	17,4	20,4	0,0882		15	160	17,6	20,6	0,0900	35		180	18,4	21,4	0,0972	50	195	19,1	22,1	0,1026	60	205	19,5	22,5	0,1062		70	230	20,6	23,6	0,1152		80	280	22,8	25,8	0,1332	90		235	20,8	23,8	0,1170	110	255	21,7	24,7	0,1242	135	280	22,8	25,8	0,1332	225 x	180	235	27,1	30,1	0,1692	BFL	280	-	155	18,9	21,9	0,1127	BFL	-	-	9,8	11,5	0,0246	-	-	10,3	12	0,0287	-	-	10,8	12,5	0,0338	-	5	11,4	13,1	0,0390	-	20	12,1	13,8	0,0451	-	30	12,5	14,2	0,0492	-	37	12,9	14,6	0,0523	-	57	13,8	15,5	0,0605	-	80	14,8	16,5	0,0697	-	105	15,9	18,9	0,0800	-	130	17	20	0,0902	10	155	17,4	20,4	0,0882	15	160	17,6	20,6	0,0900	35	180	18,4	21,4	0,0972	50	195	19,1	22,1	0,1026	60	205	19,5	22,5	0,1062	70	230	20,6	23,6	0,1152	80	280	22,8	25,8	0,1332	90	235	20,8	23,8	0,1170	110	255	21,7	24,7	0,1242	135	280	22																																																																																																																																																																																																									
	-	57	12,7	14,4	0,0472		-	80	13,6	15,3	0,0544	-		105	14,6	17,6	0,0624	-	130	15,7	18,7	0,0704	10	155	16,7	19,7	0,0784	15	160	16,9	19,9	0,0800	35	180	17,8	20,8	0,0864	50	195	18,4	21,4	0,0912	60	205	18,8	21,8	0,0944	200 x	70	230	19,9	22,9		0,1024	BFL	180	-		-		10,3	12		0,0276		BFL	80		280			22		25			0,1184		90			235	20,1			23,1	0,1040		110	255		20,9	23,9	0,1104	135	280	22	25	0,1184	15	160	16,9	19,9	0,0800	35	180	17,8	20,8	0,0864	50	195	18,4	21,4	0,0912	60	205	18,8	21,8	0,0944	70	230	19,9	22,9	0,1024	80	280	22	25	0,1184	90	235	20,1	23,1	0,1040	110	255	20,9	23,9	0,1104	135	280	22	25	0,1184	225 x	-		-		9,4		11,1		0,0216		BFL								225	-	-	11,3	13	0,0380							BFL	-	-	9,8	11,5	0,0252	-	-	10,3	12	0,0297	-	5	10,9	12,6	0,0396	-	20	11,5	13,2	0,0342	-	30	12	13,7	0,0432	-	37	12,3	14	0,0459	-	57	13,1	14,8	0,0531	-	80	14,1	15,8	0,0612	-	105	15,2	18,2	0,0702	-	130	16,3	19,3	0,0792	10	155	17,4	20,4	0,0882	15	160	17,6	20,6	0,0900	35	180	18,4	21,4	0,0972	50	195	19,1	22,1		0,1026		60		205			19,5			22,5				0,1062			250 x	70			230	20,6			23,6	0,1152	BFL		250	-	5		11,9	13,6	0,0437	BFL	80	280	22,8	25,8	0,1332	90	235	20,8	23,8	0,1170	110	255	21,7	24,7	0,1242	135	280	22,8	25,8	0,1332	15	160	17,6	20,6	0,0900	35	180	18,4	21,4	0,0972	50	195	19,1	22,1	0,1026	60	205	19,5	22,5	0,1062	70		230	20,6	23,6	0,1152			80	280	22,8	25,8				0,1332	90	235	20,8				23,8	0,1170	110	255				21,7	24,7	0,1242	135				280	22,8	25,8	0,1332	280 x			180	235	27,1	30,1	0,1692	BFL		280	-	20	12,6	14,3	0,0506	BFL	-	-	9,8	11,5	0,0246	-	-	10,3	12	0,0287	-	-	10,8	12,5	0,0338	-	5	11,4	13,1	0,0390	-	20	12,1	13,8	0,0451	-	30	12,5	14,2	0,0492	-	37	12,9	14,6	0,0523	-	57	13,8	15,5	0,0605	-	80	14,8	16,5	0,0697	-	105	15,9	18,9	0,0800	-	130	17	20	0,0902	10	155	17,4	20,4	0,0882	15	160	17,6		20,6	0,0900	35	180	18,4		21,4	0,0972		50	195	19,1		22,1	0,1026		60	205		19,5	22,5	0,1062		70	230		20,6	23,6		0,1152	80	280		22,8	25,8		0,1332	90		235	20,8	23,8		0,1170	110		255	21,7		24,7	0,1242	135		280	22,8		25,8	0,1332	225 x	180	235	27,1		30,1	0,1692	BFL	280	-	30	13,1	14,8	0,0552	BFL	-	-	9,8	11,5	0,0246	-	-	10,3	12	0,0287	-	-	10,8	12,5	0,0338	-	5	11,4	13,1	0,0390	-	20	12,1	13,8	0,0451	-	30	12,5	14,2	0,0492	-	37	12,9	14,6	0,0523	-	57	13,8	15,5	0,0605	-	80	14,8	16,5	0,0697		-	105	15,9	18,9	0,0800		-	130	17	20	0,0902			10	155	17,4	20,4	0,0882		15	160	17,6	20,6	0,0900			35	180	18,4	21,4	0,0972		50	195	19,1	22,1	0,1026			60	205	19,5	22,5	0,1062		70	230	20,6	23,6	0,1152			80	280	22,8	25,8	0,1332		90	235	20,8	23,8	0,1170			110	255	21,7	24,7	0,1242		135	280	22,8	25,8	0,1332	225 x		180	235	27,1	30,1	0,1692	BFL	280	-	37	13,4	15,1	0,0587	BFL	-	-	9,8	11,5	0,0246	-	-	10,3	12	0,0287	-	-	10,8	12,5	0,0338	-	5	11,4	13,1	0,0390	-	20	12,1	13,8	0,0451	-	30		12,5	14,2	0,0492	-	37		12,9	14,6	0,0523	-	57	13,8		15,5	0,0605		-	80	14,8	16,5	0,0697		-	105	15,9	18,9	0,0800	-		130	17		20	0,0902	10	155	17,4		20,4	0,0882	15	160	17,6	20,6		0,0900	35		180	18,4	21,4	0,0972	50		195	19,1	22,1	0,1026	60	205		19,5	22,5		0,1062	70	230	20,6	23,6		0,1152	80	280	22,8	25,8	0,1332		90	235		20,8	23,8	0,1170	110	255		21,7	24,7	0,1242	135	280	22,8		25,8	0,1332	225 x	180	235	27,1	30,1	0,1692	BFL	280	-	57	14,4	16,1	0,0679	BFL	-	-	9,8	11,5	0,0246	-	-	10,3	12		0,0287	-	-	10,8	12,5		0,0338	-	5	11,4	13,1	0,0390		-	20	12,1	13,8	0,0451		-	30	12,5	14,2	0,0492		-	37	12,9	14,6	0,0523	-		57	13,8	15,5	0,0605	-		80	14,8	16,5	0,0697	-		105	15,9	18,9	0,0800	-	130		17	20	0,0902	10	155		17,4	20,4	0,0882	15	160		17,6	20,6	0,0900	35	180	18,4		21,4	0,0972	50	195	19,1		22,1	0,1026	60	205	19,5		22,5	0,1062	70	230	20,6	23,6		0,1152	80	280	22,8	25,8		0,1332	90	235	20,8	23,8		0,1170	110	255	21,7	24,7	0,1242		135	280	22,8	25,8	0,1332	225 x	180	235	27,1	30,1		0,1692	BFL	280	-	80		15,4	17,1	0,0782	BFL	-	-		9,8	11,5	0,0246	-	-	10,3	12	0,0287		-	-	10,8	12,5	0,0338		-	5	11,4	13,1	0,0390	-		20	12,1	13,8	0,0451	-	30	12,5	14,2		0,0492	-	37	12,9	14,6		0,0523	-	57	13,8	15,5	0,0605		-	80	14,8	16,5	0,0697	-	105	15,9		18,9	0,0800	-	130	17		20	0,0902	10	155	17,4	20,4		0,0882	15	160	17,6	20,6	0,0900	35	180		18,4	21,4	0,0972	50	195		19,1	22,1	0,1026	60	205	19,5		22,5	0,1062	70	230	20,6	23,6	0,1152	80		280	22,8	25,8	0,1332	90		235	20,8		23,8	0,1170	110	255			21,7	24,7	0,1242	135	280	22,8		25,8	0,1332	225 x	180	235	27,1	30,1	0,1692	BFL	280	-		105	16,6	19,6	0,0897	BFL		-	-	9,8	11,5	0,0246	-		-	10,3	12	0,0287	-	-	10,8	12,5	0,0338	-	5		11,4	13,1	0,0390	-	20		12,1	13,8	0,0451	-	30	12,5		14,2	0,0492	-	37	12,9	14,6	0,0523	-	57	13,8	15,5		0,0605	-	80	14,8	16,5		0,0697	-	105	15,9	18,9	0,0800		-	130	17	20	0,0902	10	155	17,4	20,4	0,0882	15		160	17,6	20,6	0,0900	35		180	18,4	21,4	0,0972	50	195		19,1	22,1	0,1026	60	205		19,5	22,5	0,1062	70	230		20,6		23,6	0,1152	80	280		22,8		25,8	0,1332	90	235	20,8	23,8		0,1170	110	255	21,7	24,7		0,1242	135	280	22,8	25,8		0,1332	225 x	180	235	27,1	30,1		0,1692	BFL	280	-	130	17,8	20,8	0,1012	BFL	-	-	9,8	11,5	0,0246		-	-	10,3	12	0,0287		-	-	10,8	12,5	0,0338	-		5	11,4	13,1	0,0390	-	20	12,1	13,8	0,0451	-	30	12,5	14,2	0,0492		-	37	12,9	14,6	0,0523		-	57	13,8	15,5	0,0605	-		80	14,8	16,5	0,0697	-	105	15,9	18,9	0,0800	-	130	17	20	0,0902		10	155	17,4	20,4	0,0882		15	160	17,6	20,6	0,0900	35		180	18,4	21,4	0,0972	50	195	19,1	22,1	0,1026	60	205	19,5	22,5	0,1062		70	230	20,6	23,6	0,1152		80	280	22,8	25,8	0,1332	90		235	20,8	23,8	0,1170	110	255	21,7	24,7	0,1242	135	280	22,8	25,8	0,1332	225 x	180	235	27,1	30,1	0,1692	BFL	280	-	155	18,9	21,9	0,1127	BFL	-	-	9,8	11,5	0,0246	-	-	10,3	12	0,0287	-	-	10,8	12,5	0,0338	-	5	11,4	13,1	0,0390	-	20	12,1	13,8	0,0451	-	30	12,5	14,2	0,0492	-	37	12,9	14,6	0,0523	-	57	13,8	15,5	0,0605	-	80	14,8	16,5	0,0697	-	105	15,9	18,9	0,0800	-	130	17	20	0,0902	10	155	17,4	20,4	0,0882	15	160	17,6	20,6	0,0900	35	180	18,4	21,4	0,0972	50	195	19,1	22,1	0,1026	60	205	19,5	22,5	0,1062	70	230	20,6	23,6	0,1152	80	280	22,8	25,8	0,1332	90	235	20,8	23,8	0,1170	110	255	21,7	24,7	0,1242	135	280	22																																																																																																																																																																													
	-	80	13,6	15,3	0,0544		-	105	14,6	17,6	0,0624	-		130	15,7	18,7	0,0704	10	155	16,7	19,7	0,0784	15	160	16,9	19,9	0,0800	35	180	17,8	20,8	0,0864	50	195	18,4	21,4	0,0912	60	205	18,8	21,8	0,0944	200 x	70	230	19,9	22,9		0,1024	BFL	180	-		-		10,3	12		0,0276		BFL	80		280			22		25			0,1184		90			235		20,1			23,1	0,1040			110	255		20,9	23,9		0,1104	135	280	22	25	0,1184	15	160	16,9	19,9	0,0800	35	180	17,8	20,8	0,0864	50	195	18,4	21,4	0,0912	60	205	18,8	21,8	0,0944	70	230	19,9	22,9	0,1024	80	280	22	25	0,1184	90	235	20,1	23,1	0,1040	110	255	20,9	23,9	0,1104	135	280	22	25	0,1184	225 x	-		-		9,4		11,1		0,0216		BFL										225	-	-	11,3	13	0,0380								BFL	-	-	9,8	11,5	0,0252	-	-	10,3	12	0,0297	-	5	10,9	12,6	0,0396	-	20	11,5	13,2	0,0342	-	30	12	13,7	0,0432	-	37	12,3	14	0,0459	-	57	13,1	14,8	0,0531	-	80	14,1	15,8	0,0612	-	105	15,2	18,2	0,0702	-	130	16,3	19,3	0,0792	10	155	17,4	20,4	0,0882	15	160	17,6	20,6	0,0900	35	180	18,4	21,4	0,0972	50	195	19,1		22,1		0,1026		60			205			19,5				22,5				0,1062			250 x	70			230	20,6			23,6	0,1152	BFL		250	-	5		11,9	13,6	0,0437	BFL	80	280	22,8	25,8	0,1332	90	235	20,8	23,8	0,1170	110	255	21,7	24,7	0,1242	135	280	22,8	25,8	0,1332	15	160	17,6	20,6	0,0900	35	180	18,4	21,4	0,0972	50	195	19,1	22,1	0,1026	60	205		19,5	22,5	0,1062	70			230	20,6	23,6	0,1152				80	280	22,8	25,8				0,1332	90	235	20,8				23,8	0,1170	110	255				21,7	24,7	0,1242	135				280	22,8	25,8	0,1332	280 x			180	235	27,1	30,1	0,1692	BFL		280	-	20	12,6	14,3	0,0506	BFL	-	-	9,8	11,5	0,0246	-	-	10,3	12	0,0287	-	-	10,8	12,5	0,0338	-	5	11,4	13,1	0,0390	-	20	12,1	13,8	0,0451	-	30	12,5	14,2	0,0492	-	37	12,9	14,6	0,0523	-	57	13,8	15,5	0,0605	-	80	14,8	16,5	0,0697	-	105	15,9	18,9	0,0800	-	130	17	20	0,0902	10		155	17,4	20,4	0,0882	15		160	17,6		20,6	0,0900	35		180	18,4		21,4	0,0972		50	195	19,1		22,1	0,1026		60	205		19,5	22,5	0,1062		70	230		20,6	23,6		0,1152	80	280		22,8	25,8		0,1332	90		235	20,8	23,8		0,1170	110		255	21,7		24,7	0,1242	135		280	22,8		25,8	0,1332	225 x	180	235	27,1		30,1	0,1692	BFL	280	-	30	13,1	14,8	0,0552	BFL	-	-	9,8	11,5	0,0246	-	-	10,3	12	0,0287	-	-	10,8	12,5	0,0338	-	5	11,4	13,1	0,0390	-	20	12,1	13,8	0,0451	-	30	12,5	14,2	0,0492	-	37	12,9	14,6	0,0523		-	57	13,8	15,5	0,0605		-	80	14,8	16,5	0,0697			-	105	15,9	18,9	0,0800		-	130	17	20	0,0902			10	155	17,4	20,4	0,0882		15	160	17,6	20,6	0,0900			35	180	18,4	21,4	0,0972		50	195	19,1	22,1	0,1026			60	205	19,5	22,5	0,1062		70	230	20,6	23,6	0,1152			80	280	22,8	25,8	0,1332		90	235	20,8	23,8	0,1170			110	255	21,7	24,7	0,1242		135	280	22,8	25,8	0,1332	225 x		180	235	27,1	30,1	0,1692	BFL	280	-	37	13,4	15,1	0,0587	BFL	-	-	9,8	11,5	0,0246	-	-	10,3	12	0,0287	-	-	10,8	12,5		0,0338	-	5	11,4	13,1		0,0390	-	20	12,1	13,8	0,0451		-	30		12,5	14,2	0,0492	-	37		12,9	14,6	0,0523	-	57	13,8		15,5	0,0605		-	80	14,8	16,5	0,0697		-	105	15,9	18,9	0,0800	-		130	17		20	0,0902	10	155	17,4		20,4	0,0882	15	160	17,6	20,6		0,0900	35		180	18,4	21,4	0,0972	50		195	19,1	22,1	0,1026	60	205		19,5	22,5		0,1062	70	230	20,6	23,6		0,1152	80	280	22,8	25,8	0,1332		90	235		20,8	23,8	0,1170	110	255		21,7	24,7	0,1242	135	280	22,8		25,8	0,1332	225 x	180	235	27,1	30,1	0,1692	BFL		280	-	57	14,4	16,1		0,0679	BFL	-	-	9,8	11,5		0,0246	-	-	10,3	12		0,0287	-	-	10,8	12,5		0,0338	-	5	11,4	13,1	0,0390		-	20	12,1	13,8	0,0451		-	30	12,5	14,2	0,0492		-	37	12,9	14,6	0,0523	-		57	13,8	15,5	0,0605	-		80	14,8	16,5	0,0697	-		105	15,9	18,9	0,0800	-	130		17	20	0,0902	10	155		17,4	20,4	0,0882	15	160		17,6	20,6	0,0900	35	180	18,4		21,4	0,0972	50	195	19,1		22,1	0,1026	60	205	19,5		22,5	0,1062	70	230	20,6	23,6		0,1152	80	280	22,8	25,8		0,1332	90	235	20,8		23,8		0,1170	110	255		21,7	24,7	0,1242		135	280		22,8	25,8	0,1332	225 x	180	235	27,1	30,1		0,1692	BFL	280	-	80		15,4	17,1	0,0782	BFL	-	-		9,8	11,5	0,0246	-	-	10,3	12	0,0287		-	-	10,8	12,5	0,0338		-	5	11,4	13,1	0,0390	-		20	12,1	13,8	0,0451	-	30	12,5	14,2		0,0492	-	37	12,9	14,6		0,0523	-	57	13,8	15,5	0,0605		-	80	14,8	16,5	0,0697	-	105	15,9		18,9	0,0800	-	130	17		20	0,0902	10	155	17,4	20,4		0,0882	15	160	17,6	20,6	0,0900	35	180		18,4	21,4	0,0972	50	195		19,1	22,1		0,1026	60	205	19,5			22,5	0,1062	70	230	20,6	23,6		0,1152	80		280	22,8	25,8	0,1332	90		235	20,8		23,8	0,1170	110	255			21,7	24,7	0,1242	135	280	22,8		25,8	0,1332	225 x	180	235	27,1	30,1	0,1692	BFL	280	-		105	16,6	19,6	0,0897	BFL		-	-	9,8	11,5	0,0246	-		-	10,3	12	0,0287	-	-	10,8	12,5	0,0338	-	5		11,4	13,1	0,0390	-	20		12,1	13,8	0,0451	-	30	12,5		14,2	0,0492	-	37	12,9	14,6	0,0523	-	57	13,8	15,5		0,0605	-	80	14,8	16,5		0,0697	-	105	15,9	18,9	0,0800		-	130	17	20	0,0902		10	155	17,4	20,4	0,0882		15		160	17,6	20,6	0,0900		35		180	18,4	21,4	0,0972	50	195		19,1	22,1	0,1026	60	205		19,5	22,5	0,1062	70	230		20,6		23,6	0,1152	80	280		22,8		25,8	0,1332	90	235	20,8	23,8		0,1170	110	255	21,7	24,7		0,1242	135	280	22,8	25,8		0,1332	225 x	180	235	27,1	30,1		0,1692	BFL	280	-	130	17,8	20,8	0,1012	BFL	-	-	9,8	11,5	0,0246		-	-	10,3	12	0,0287		-	-	10,8	12,5	0,0338	-		5	11,4	13,1	0,0390	-	20	12,1	13,8	0,0451	-	30	12,5	14,2	0,0492		-	37	12,9	14,6	0,0523		-	57	13,8	15,5	0,0605	-		80	14,8	16,5	0,0697	-	105	15,9	18,9	0,0800	-	130	17	20	0,0902		10	155	17,4	20,4	0,0882		15	160	17,6	20,6	0,0900	35		180	18,4	21,4	0,0972	50	195	19,1	22,1	0,1026	60	205	19,5	22,5	0,1062		70	230	20,6	23,6	0,1152		80	280	22,8	25,8	0,1332	90		235	20,8	23,8	0,1170	110	255	21,7	24,7	0,1242	135	280	22,8	25,8	0,1332	225 x	180	235	27,1	30,1	0,1692	BFL	280	-	155	18,9	21,9	0,1127	BFL	-	-	9,8	11,5	0,0246	-	-	10,3	12	0,0287	-	-	10,8	12,5	0,0338	-	5	11,4	13,1	0,0390	-	20	12,1	13,8	0,0451	-	30	12,5	14,2	0,0492	-	37	12,9	14,6	0,0523	-	57	13,8	15,5	0,0605	-	80	14,8	16,5	0,0697	-	105	15,9	18,9	0,0800	-	130	17	20	0,0902	10	155	17,4	20,4	0,0882	15	160	17,6	20,6	0,0900	35	180	18,4	21,4	0,0972	50	195	19,1	22,1	0,1026	60	205	19,5	22,5	0,1062	70	230	20,6	23,6	0,1152	80	280	22,8	25,8	0,1332	90	235	20,8	23,8	0,1170	110	255	21,7	24,7	0,1242	135	280	22																																																																																																																																																	
	-	105	14,6	17,6	0,0624		-	130	15,7	18,7	0,0704	10		155	16,7	19,7	0,0784	15	160	16,9	19,9	0,0800	35	180	17,8	20,8	0,0864	50	195	18,4	21,4	0,0912	60	205	18,8	21,8	0,0944	200 x	70	230	19,9	22,9		0,1024	BFL	180	-		-		10,3	12		0,0276		BFL	80		280			22		25			0,1184		90			235		20,1			23,1	0,1040	110			255	20,9	23,9		0,1104	135		280	22	25	0,1184	15	160	16,9	19,9	0,0800	35	180	17,8	20,8	0,0864	50	195	18,4	21,4	0,0912	60	205	18,8	21,8	0,0944	70	230	19,9	22,9	0,1024	80	280	22	25	0,1184	90	235	20,1	23,1	0,1040	110	255	20,9	23,9	0,1104	135	280	22	25	0,1184	225 x	-	-	9,4	11,1		0,0216		BFL		225		-		-												11,3	13	0,0380	BFL	-	-									9,8	11,5	0,0252	-	-	10,3	12	0,0297	-	5	10,9	12,6	0,0396	-	20	11,5	13,2	0,0342	-	30	12	13,7	0,0432	-	37	12,3	14	0,0459	-	57	13,1	14,8	0,0531	-	80	14,1	15,8	0,0612	-	105	15,2	18,2	0,0702	-	130	16,3	19,3	0,0792	10	155	17,4	20,4	0,0882	15	160	17,6	20,6	0,0900	35	180	18,4	21,4	0,0972	50	195	19,1	22,1	0,1026	60	205		19,5		22,5	0,1062		250 x			70		230		20,6				23,6				0,1152			BFL	250			-	5			11,9	13,6	0,0437		BFL	80	280		22,8	25,8	0,1332	90	235	20,8	23,8	0,1170	110	255	21,7	24,7	0,1242	135	280	22,8	25,8	0,1332	15	160	17,6	20,6	0,0900	35	180	18,4	21,4	0,0972	50	195	19,1	22,1	0,1026	60	205	19,5	22,5		0,1062	70	230	20,6			23,6	0,1152	80	280				22,8	25,8	0,1332	90				235	20,8	23,8	0,1170				110	255	21,7	24,7				0,1242	135	280	22,8				25,8	0,1332	280 x	180				235	27,1	30,1	0,1692	BFL			280	-	20	12,6	14,3	0,0506		BFL	-	-	9,8	11,5	0,0246	-	-	10,3	12	0,0287	-	-	10,8	12,5	0,0338	-	5	11,4	13,1	0,0390	-	20	12,1	13,8	0,0451	-	30	12,5	14,2	0,0492	-	37	12,9	14,6	0,0523	-	57	13,8	15,5	0,0605	-	80	14,8	16,5	0,0697	-	105	15,9	18,9	0,0800	-	130	17	20	0,0902		10	155	17,4	20,4	0,0882		15	160		17,6	20,6	0,0900		35	180		18,4	21,4		0,0972	50	195		19,1	22,1		0,1026	60		205	19,5	22,5		0,1062	70		230	20,6		23,6	0,1152	80		280	22,8		25,8	0,1332		90	235	20,8		23,8	0,1170		110	255		21,7	24,7	0,1242		135	280		22,8	25,8		0,1332	225 x	180		235	27,1		30,1	0,1692	BFL	280	-	30		13,1	14,8	0,0552	BFL	-	-	9,8	11,5	0,0246	-	-	10,3	12	0,0287	-	-	10,8	12,5	0,0338	-	5	11,4	13,1	0,0390	-	20	12,1	13,8	0,0451	-	30	12,5	14,2	0,0492	-		37	12,9	14,6	0,0523	-		57	13,8	15,5	0,0605	-			80	14,8	16,5	0,0697	-		105	15,9	18,9	0,0800	-			130	17	20	0,0902	10		155	17,4	20,4	0,0882	15			160	17,6	20,6	0,0900	35		180	18,4	21,4	0,0972	50			195	19,1	22,1	0,1026	60		205	19,5	22,5	0,1062	70			230	20,6	23,6	0,1152	80		280	22,8	25,8	0,1332	90			235	20,8	23,8	0,1170	110		255	21,7	24,7	0,1242	135			280	22,8	25,8	0,1332	225 x		180	235	27,1	30,1	0,1692	BFL		280	-	37	13,4	15,1	0,0587	BFL	-	-	9,8	11,5	0,0246	-	-		10,3	12	0,0287	-	-		10,8	12,5	0,0338	-	5	11,4		13,1	0,0390		-	20	12,1	13,8	0,0451		-	30	12,5	14,2	0,0492	-		37	12,9		14,6	0,0523	-	57	13,8		15,5	0,0605	-	80	14,8	16,5		0,0697	-		105	15,9	18,9	0,0800	-		130	17	20	0,0902	10	155		17,4	20,4		0,0882	15	160	17,6	20,6		0,0900	35	180	18,4	21,4	0,0972		50	195		19,1	22,1	0,1026	60	205		19,5	22,5	0,1062	70	230	20,6		23,6	0,1152		80	280	22,8	25,8	0,1332		90	235	20,8	23,8	0,1170	110		255	21,7		24,7	0,1242	135	280	22,8			25,8	0,1332	225 x	180	235		27,1		30,1	0,1692	BFL	280		-	57	14,4	16,1	0,0679		BFL	-	-	9,8	11,5		0,0246	-	-	10,3	12	0,0287		-	-	10,8	12,5	0,0338		-	5	11,4	13,1	0,0390		-	20	12,1	13,8	0,0451	-		30	12,5	14,2	0,0492	-		37	12,9	14,6	0,0523	-		57	13,8	15,5	0,0605	-	80		14,8	16,5	0,0697	-	105		15,9	18,9	0,0800	-	130		17	20	0,0902	10	155	17,4		20,4	0,0882	15	160	17,6		20,6	0,0900	35	180	18,4		21,4	0,0972	50	195	19,1	22,1		0,1026	60	205	19,5	22,5		0,1062	70	230	20,6		23,6		0,1152	80	280		22,8	25,8	0,1332		90	235		20,8	23,8	0,1170		110	255	21,7	24,7		0,1242		135	280	22,8		25,8	0,1332	225 x		180	235		27,1	30,1	0,1692	BFL	280	-	80	15,4		17,1	0,0782	BFL	-	-		9,8	11,5	0,0246	-	-	10,3		12	0,0287	-	-	10,8	12,5	0,0338	-		5	11,4	13,1	0,0390	-		20	12,1	13,8	0,0451	-	30		12,5	14,2	0,0492	-	37	12,9	14,6	0,0523		-	57	13,8	15,5	0,0605		-	80	14,8	16,5	0,0697	-		105	15,9	18,9	0,0800	-	130	17	20		0,0902	10	155	17,4	20,4		0,0882	15		160	17,6	20,6	0,0900			35	180	18,4	21,4	0,0972	50		195	19,1		22,1	0,1026	60	205	19,5		22,5	0,1062		70	230	20,6	23,6			0,1152	80	280	22,8	25,8	0,1332		90	235		20,8	23,8	0,1170	110	255		21,7	24,7		0,1242	135	280	22,8			25,8	0,1332	225 x	180	235	27,1		30,1	0,1692	BFL	280	-	105	16,6	19,6	0,0897	BFL	-		-	9,8	11,5	0,0246	-		-	10,3	12	0,0287	-	-		10,8	12,5	0,0338	-	5	11,4	13,1	0,0390	-	20	12,1		13,8	0,0451	-	30	12,5		14,2	0,0492	-	37	12,9	14,6		0,0523	-	57	13,8	15,5		0,0605	-	80	14,8	16,5		0,0697		-	105	15,9	18,9		0,0800		-	130	17	20	0,0902	10		155	17,4	20,4	0,0882	15		160	17,6	20,6	0,0900	35		180		18,4	21,4	0,0972	50		195		19,1	22,1	0,1026	60	205	19,5		22,5	0,1062	70	230	20,6		23,6	0,1152	80	280	22,8		25,8		0,1332	90	235	20,8		23,8		0,1170	110	255	21,7	24,7	0,1242		135	280	22,8	25,8	0,1332		225 x	180	235	27,1	30,1		0,1692	BFL	280	-	130	17,8		20,8	0,1012	BFL	-	-	9,8	11,5	0,0246	-	-	10,3	12	0,0287	-		-	10,8	12,5	0,0338	-		5	11,4	13,1	0,0390	-	20		12,1	13,8	0,0451	-	30	12,5	14,2	0,0492	-	37	12,9	14,6	0,0523	-		57	13,8	15,5	0,0605	-		80	14,8	16,5	0,0697	-	105		15,9	18,9	0,0800	-	130	17	20	0,0902	10	155	17,4	20,4	0,0882	15		160	17,6	20,6	0,0900	35		180	18,4	21,4	0,0972	50	195		19,1	22,1	0,1026	60	205	19,5	22,5	0,1062	70	230	20,6	23,6	0,1152	80		280	22,8	25,8	0,1332	90		235	20,8	23,8	0,1170	110	255		21,7	24,7	0,1242	135	280	22,8	25,8	0,1332	225 x	180	235	27,1	30,1	0,1692	BFL	280	-	155	18,9	21,9	0,1127	BFL	-	-	9,8	11,5	0,0246	-	-	10,3	12	0,0287	-	-	10,8	12,5	0,0338	-	5	11,4	13,1	0,0390	-	20	12,1	13,8	0,0451	-	30	12,5	14,2	0,0492	-	37	12,9	14,6	0,0523	-	57	13,8	15,5	0,0605	-	80	14,8	16,5	0,0697	-	105	15,9	18,9	0,0800	-	130	17	20	0,0902	10	155	17,4	20,4	0,0882	15	160	17,6	20,6	0,0900	35	180	18,4	21,4	0,0972	50	195	19,1	22,1	0,1026	60	205	19,5	22,5	0,1062	70	230	20,6	23,6	0,1152	80	280	22,8	25,8	0,1332	90	235	20,8	23,8	0,1170	110	255	21,7	24,7	0,1242	135	280	22																																																																																																																											
	-	130	15,7	18,7	0,0704		10	155	16,7	19,7	0,0784	15		160	16,9	19,9	0,0800	35	180	17,8	20,8	0,0864	50	195	18,4	21,4	0,0912	60	205	18,8	21,8	0,0944	200 x	70	230	19,9	22,9		0,1024	BFL	180	-		-		10,3	12		0,0276		BFL	80		280			22		25			0,1184		90			235		20,1			23,1	0,1040	110			255	20,9	23,9	0,1104		135	280	22		25	0,1184	15	160	16,9	19,9	0,0800	35	180	17,8	20,8	0,0864	50	195	18,4	21,4	0,0912	60	205	18,8	21,8	0,0944	70	230	19,9	22,9	0,1024	80	280	22	25	0,1184	90	235	20,1	23,1	0,1040	110	255	20,9	23,9	0,1104	135	280	22	25	0,1184	225 x	-	-	9,4	11,1		0,0216	BFL	225	-		-				11,3		13		0,0380												BFL	-	-		9,8	11,5									0,0252	-	-	10,3	12	0,0297	-	5	10,9	12,6	0,0396	-	20	11,5	13,2	0,0342	-	30	12	13,7	0,0432	-	37	12,3	14	0,0459	-	57	13,1	14,8	0,0531	-	80	14,1	15,8	0,0612	-	105	15,2	18,2	0,0702	-	130	16,3	19,3	0,0792	10	155	17,4	20,4	0,0882	15	160	17,6	20,6	0,0900	35	180	18,4	21,4	0,0972	50	195	19,1	22,1	0,1026	60	205	19,5	22,5	0,1062	250 x		70	230			20,6		23,6		0,1152		BFL		250		-				5				11,9			13,6	0,0437			BFL	80	280			22,8	25,8		0,1332	90	235	20,8	23,8	0,1170	110	255	21,7	24,7	0,1242	135	280	22,8	25,8	0,1332	15	160	17,6	20,6	0,0900	35	180	18,4	21,4	0,0972	50	195	19,1	22,1	0,1026	60	205	19,5	22,5	0,1062	70		230	20,6	23,6	0,1152			80	280	22,8	25,8				0,1332	90	235	20,8				23,8	0,1170	110	255				21,7	24,7	0,1242	135				280	22,8	25,8	0,1332				280 x	180		235				27,1	30,1	0,1692	BFL				280	-	20	12,6	14,3	0,0506			BFL	-	-	9,8	11,5	0,0246	-	-	10,3	12	0,0287	-	-	10,8	12,5	0,0338	-	5	11,4	13,1	0,0390	-	20	12,1	13,8	0,0451	-	30	12,5	14,2	0,0492	-	37	12,9	14,6	0,0523	-	57	13,8	15,5	0,0605	-	80	14,8	16,5	0,0697	-	105	15,9	18,9	0,0800	-	130	17	20		0,0902	10	155	17,4	20,4		0,0882	15		160	17,6	20,6		0,0900	35		180	18,4		21,4	0,0972	50		195	19,1		22,1	0,1026		60	205	19,5		22,5	0,1062		70	230		20,6	23,6	0,1152		80	280		22,8	25,8		0,1332	90	235		20,8	23,8		0,1170	110		255	21,7	24,7		0,1242	135		280	22,8		25,8		0,1332		225 x	180		235	27,1		30,1	0,1692	BFL		280	-	30		13,1	14,8	0,0552	BFL	-	-	9,8	11,5	0,0246	-	-	10,3	12	0,0287	-	-	10,8	12,5	0,0338	-	5	11,4	13,1	0,0390	-	20	12,1	13,8	0,0451	-	30		12,5	14,2	0,0492	-	37		12,9	14,6	0,0523	-	57			13,8	15,5	0,0605	-	80		14,8	16,5	0,0697	-	105			15,9	18,9	0,0800	-	130		17	20	0,0902	10	155			17,4	20,4	0,0882	15	160		17,6	20,6	0,0900	35	180			18,4	21,4	0,0972	50	195		19,1	22,1	0,1026	60	205			19,5	22,5	0,1062	70	230		20,6	23,6	0,1152	80	280			22,8	25,8	0,1332	90	235		20,8	23,8	0,1170	110	255			21,7	24,7	0,1242	135			280	22,8	25,8	0,1332	225 x			180	235	27,1	30,1	0,1692	BFL		280	-	37	13,4	15,1	0,0587	BFL		-	-	9,8	11,5	0,0246		-	-	10,3	12	0,0287	-		-	10,8		12,5	0,0338	-	5	11,4		13,1	0,0390	-	20	12,1	13,8		0,0451	-		30	12,5	14,2	0,0492	-		37	12,9	14,6	0,0523	-	57		13,8	15,5		0,0605	-	80	14,8	16,5		0,0697	-	105	15,9	18,9	0,0800		-	130		17	20	0,0902	10	155		17,4	20,4	0,0882	15	160	17,6		20,6	0,0900		35	180	18,4	21,4	0,0972		50	195	19,1	22,1	0,1026	60		205	19,5		22,5	0,1062	70	230	20,6		23,6	0,1152	80	280	22,8	25,8		0,1332	90		235	20,8	23,8	0,1170	110			255	21,7		24,7	0,1242		135		280	22,8		25,8		0,1332	225 x	180	235	27,1			30,1	0,1692	BFL	280		-	57	14,4	16,1	0,0679	BFL		-	-	9,8	11,5	0,0246		-	-	10,3	12	0,0287		-	-	10,8	12,5	0,0338	-		5	11,4	13,1	0,0390	-		20	12,1	13,8	0,0451	-		30	12,5	14,2	0,0492	-	37		12,9	14,6	0,0523	-	57		13,8	15,5	0,0605	-	80		14,8	16,5	0,0697	-	105	15,9		18,9	0,0800	-	130	17		20	0,0902	10	155	17,4		20,4	0,0882	15	160	17,6	20,6		0,0900	35	180	18,4	21,4		0,0972	50	195	19,1		22,1		0,1026	60	205		19,5	22,5	0,1062		70	230		20,6	23,6	0,1152		80	280	22,8	25,8		0,1332		90	235	20,8		23,8	0,1170			110	255		21,7	24,7	0,1242		135	280	22,8	25,8		0,1332	225 x		180	235		27,1	30,1	0,1692	BFL	280	-		80	15,4	17,1	0,0782	BFL	-	-	9,8		11,5	0,0246	-	-	10,3		12	0,0287	-	-	10,8	12,5		0,0338	-	5	11,4	13,1	0,0390	-	20		12,1	13,8	0,0451	-	30		12,5	14,2	0,0492	-	37	12,9		14,6	0,0523	-	57	13,8	15,5	0,0605	-		80	14,8	16,5	0,0697	-		105	15,9		18,9	0,0800	-	130			17	20	0,0902	10	155	17,4		20,4	0,0882		15	160	17,6	20,6	0,0900		35	180		18,4	21,4	0,0972	50			195	19,1	22,1	0,1026	60	205		19,5	22,5		0,1062	70	230	20,6	23,6		0,1152	80		280	22,8	25,8	0,1332			90	235		20,8	23,8	0,1170		110	255		21,7	24,7	0,1242	135	280	22,8		25,8		0,1332	225 x	180	235	27,1		30,1	0,1692	BFL	280	-	105		16,6	19,6	0,0897	BFL	-	-	9,8	11,5	0,0246	-	-		10,3	12	0,0287	-	-		10,8	12,5	0,0338	-	5	11,4		13,1	0,0390	-	20	12,1		13,8	0,0451	-	30	12,5		14,2		0,0492	-	37	12,9		14,6		0,0523	-	57	13,8	15,5	0,0605		-	80	14,8	16,5	0,0697		-	105	15,9	18,9	0,0800		-		130	17	20	0,0902		10		155	17,4	20,4	0,0882	15	160		17,6	20,6	0,0900	35	180		18,4	21,4	0,0972	50	195		19,1		22,1	0,1026	60	205		19,5		22,5	0,1062	70	230	20,6	23,6		0,1152	80	280	22,8	25,8			0,1332	90	235	20,8		23,8		0,1170	110	255	21,7		24,7	0,1242		135	280	22,8	25,8	0,1332	225 x	180	235	27,1	30,1	0,1692		BFL	280	-	130	17,8		20,8	0,1012	BFL	-	-	9,8		11,5	0,0246	-	-	10,3	12	0,0287	-	-	10,8	12,5	0,0338	-	5		11,4	13,1	0,0390	-	20		12,1	13,8	0,0451	-	30	12,5		14,2	0,0492	-	37	12,9	14,6	0,0523	-	57	13,8	15,5	0,0605	-	80		14,8	16,5	0,0697	-	105		15,9	18,9	0,0800	-	130	17		20	0,0902	10	155	17,4	20,4	0,0882	15	160	17,6	20,6	0,0900	35	180		18,4	21,4	0,0972	50	195		19,1	22,1	0,1026	60	205	19,5		22,5	0,1062	70	230	20,6	23,6	0,1152	80		280	22,8	25,8	0,1332	90		235	20,8	23,8	0,1170	110	255		21,7	24,7	0,1242	135	280	22,8	25,8	0,1332	225 x	180	235	27,1	30,1	0,1692	BFL	280	-	155	18,9	21,9	0,1127	BFL	-	-	9,8	11,5	0,0246	-	-	10,3	12	0,0287	-	-	10,8	12,5	0,0338	-	5	11,4	13,1	0,0390	-	20	12,1	13,8	0,0451	-	30	12,5	14,2	0,0492	-	37	12,9	14,6	0,0523	-	57	13,8	15,5	0,0605	-	80	14,8	16,5	0,0697	-	105	15,9	18,9	0,0800	-	130	17	20	0,0902	10	155	17,4	20,4	0,0882	15	160	17,6	20,6	0,0900	35	180	18,4	21,4	0,0972	50	195	19,1	22,1	0,1026	60	205	19,5	22,5	0,1062	70	230	20,6	23,6	0,1152	80	280	22,8	25,8	0,1332	90	235	20,8	23,8	0,1170	110	255	21,7	24,7	0,1242	135	280	22																																																																																																					
	10	155	16,7	19,7	0,0784		15	160	16,9	19,9	0,0800	35		180	17,8	20,8	0,0864	50	195	18,4	21,4	0,0912	60	205	18,8	21,8	0,0944	200 x	70	230	19,9	22,9		0,1024	BFL	180	-		-		10,3	12		0,0276		BFL	80		280			22		25			0,1184		90			235		20,1			23,1	0,1040	110			255	20,9	23,9	0,1104		135	280	22	25		0,1184	15	160	16,9	19,9	0,0800	35	180	17,8	20,8	0,0864	50	195	18,4	21,4	0,0912	60	205	18,8	21,8	0,0944	70	230	19,9	22,9	0,1024	80	280	22	25	0,1184	90	235	20,1	23,1	0,1040	110	255	20,9	23,9	0,1104	135	280	22	25	0,1184	225 x	-	-	9,4	11,1		0,0216	BFL	225	-		-		11,3	13		0,0380				BFL		-		-													9,8	11,5		0,0252	-									-	10,3	12	0,0297	-	5	10,9	12,6	0,0396	-	20	11,5	13,2	0,0342	-	30	12	13,7	0,0432	-	37	12,3	14	0,0459	-	57	13,1	14,8	0,0531	-	80	14,1	15,8	0,0612	-	105	15,2	18,2	0,0702	-	130	16,3	19,3	0,0792	10	155	17,4	20,4	0,0882	15	160	17,6	20,6	0,0900	35	180	18,4	21,4	0,0972	50	195	19,1	22,1	0,1026	60	205	19,5	22,5	0,1062	250 x	70		230	20,6	23,6			0,1152		BFL	250	-				5		11,9		13,6		0,0437				BFL			80	280				22,8	25,8			0,1332	90		235	20,8	23,8	0,1170	110	255	21,7	24,7	0,1242	135	280	22,8	25,8	0,1332	15	160	17,6	20,6	0,0900	35	180	18,4	21,4	0,0972	50	195	19,1	22,1	0,1026	60	205	19,5	22,5	0,1062	70	230	20,6		23,6	0,1152	80	280			22,8	25,8	0,1332	90				235	20,8	23,8	0,1170				110	255	21,7	24,7				0,1242	135	280	22,8				25,8	0,1332	280 x	180					235		27,1				30,1	0,1692	BFL					280	-	20	12,6	14,3	0,0506				BFL	-	-	9,8	11,5	0,0246	-	-	10,3	12	0,0287	-	-	10,8	12,5	0,0338	-	5	11,4	13,1	0,0390	-	20	12,1	13,8	0,0451	-	30	12,5	14,2	0,0492	-	37	12,9	14,6	0,0523	-	57	13,8	15,5	0,0605	-	80	14,8	16,5	0,0697	-	105	15,9	18,9	0,0800	-	130	17		20	0,0902	10	155	17,4		20,4	0,0882		15	160	17,6		20,6	0,0900		35	180		18,4	21,4	0,0972		50	195		19,1	22,1		0,1026	60	205		19,5	22,5		0,1062	70		230	20,6	23,6		0,1152	80		280	22,8		25,8	0,1332	90		235	20,8		23,8	0,1170		110	255	21,7		24,7	0,1242		135	280		22,8		25,8			0,1332		225 x	180		235	27,1			30,1	0,1692	BFL		280	-	30		13,1	14,8	0,0552	BFL	-	-	9,8	11,5	0,0246	-	-	10,3	12	0,0287	-	-	10,8	12,5	0,0338	-	5	11,4	13,1	0,0390	-	20	12,1		13,8	0,0451	-	30	12,5		14,2	0,0492	-	37	12,9			14,6	0,0523	-	57	13,8		15,5	0,0605	-	80	14,8			16,5	0,0697	-	105	15,9		18,9	0,0800	-	130	17			20	0,0902	10	155	17,4		20,4	0,0882	15	160	17,6			20,6	0,0900	35	180	18,4		21,4	0,0972	50	195	19,1			22,1	0,1026	60	205	19,5		22,5	0,1062	70	230	20,6			23,6	0,1152	80	280	22,8		25,8	0,1332	90	235	20,8			23,8	0,1170	110	255			21,7	24,7	0,1242	135				280	22,8	25,8	0,1332	225 x			180	235	27,1	30,1	0,1692	BFL			280	-	37	13,4	15,1		0,0587	BFL	-	-	9,8	11,5		0,0246	-		-	10,3	12	0,0287	-		-	10,8	12,5	0,0338	-	5		11,4	13,1		0,0390	-	20	12,1	13,8		0,0451	-	30	12,5	14,2	0,0492		-	37		12,9	14,6	0,0523	-	57		13,8	15,5	0,0605	-	80	14,8		16,5	0,0697		-	105	15,9	18,9	0,0800		-	130	17	20	0,0902	10		155	17,4		20,4	0,0882	15	160	17,6		20,6	0,0900	35	180	18,4	21,4		0,0972	50		195	19,1	22,1	0,1026	60		205	19,5	22,5	0,1062	70	230		20,6	23,6		0,1152	80	280	22,8	25,8			0,1332	90		235	20,8		23,8		0,1170	110		255		21,7		24,7	0,1242	135			280	22,8		25,8		0,1332	225 x	180	235	27,1			30,1	0,1692	BFL	280	-		57	14,4	16,1	0,0679	BFL		-	-	9,8	11,5	0,0246	-		-	10,3	12	0,0287	-		-	10,8	12,5	0,0338	-		5	11,4	13,1	0,0390	-	20		12,1	13,8	0,0451	-	30		12,5	14,2	0,0492	-	37		12,9	14,6	0,0523	-	57	13,8		15,5	0,0605	-	80	14,8		16,5	0,0697	-	105	15,9		18,9	0,0800	-	130	17	20		0,0902	10	155	17,4	20,4		0,0882	15	160	17,6		20,6		0,0900	35	180		18,4	21,4	0,0972		50	195		19,1	22,1	0,1026		60	205	19,5	22,5		0,1062		70	230	20,6		23,6	0,1152			80	280		22,8	25,8	0,1332		90	235	20,8	23,8		0,1170			110	255		21,7	24,7	0,1242		135	280		22,8	25,8	0,1332	225 x		180	235	27,1		30,1	0,1692	BFL	280	-		80	15,4	17,1	0,0782	BFL	-		-	9,8	11,5	0,0246	-	-	10,3	12		0,0287	-	-	10,8	12,5		0,0338	-	5	11,4	13,1	0,0390		-	20	12,1	13,8	0,0451	-	30	12,5		14,2	0,0492	-	37	12,9		14,6	0,0523		-	57	13,8	15,5			0,0605	-	80	14,8	16,5	0,0697		-	105		15,9	18,9	0,0800	-	130		17	20		0,0902	10	155	17,4			20,4	0,0882	15	160	17,6	20,6		0,0900	35		180	18,4	21,4	0,0972	50		195	19,1		22,1	0,1026	60	205			19,5	22,5		0,1062	70	230		20,6	23,6		0,1152	80	280	22,8	25,8	0,1332		90		235		20,8	23,8	0,1170		110	255		21,7	24,7	0,1242		135	280	22,8		25,8	0,1332	225 x	180	235	27,1	30,1		0,1692	BFL	280	-	105		16,6	19,6	0,0897	BFL	-	-		9,8	11,5	0,0246	-	-		10,3	12	0,0287	-	-		10,8		12,5	0,0338	-	5		11,4		13,1	0,0390	-	20	12,1	13,8		0,0451	-	30	12,5	14,2		0,0492	-	37	12,9	14,6		0,0523		-	57	13,8	15,5		0,0605		-	80	14,8	16,5	0,0697	-		105	15,9	18,9	0,0800	-		130	17	20	0,0902	10		155		17,4	20,4	0,0882	15		160		17,6	20,6	0,0900	35	180	18,4		21,4	0,0972	50	195	19,1			22,1	0,1026	60	205		19,5		22,5	0,1062	70	230		20,6	23,6		0,1152	80	280	22,8	25,8		0,1332	90	235	20,8	23,8			0,1170	110	255	21,7		24,7	0,1242		135	280	22,8		25,8	0,1332	225 x	180	235	27,1	30,1	0,1692	BFL	280	-	130	17,8	20,8		0,1012	BFL	-	-	9,8		11,5	0,0246	-	-	10,3	12		0,0287	-	-	10,8	12,5	0,0338	-	5	11,4	13,1	0,0390	-	20	12,1		13,8	0,0451	-	30	12,5		14,2	0,0492	-	37	12,9	14,6		0,0523	-	57	13,8	15,5	0,0605	-	80	14,8	16,5	0,0697	-	105	15,9		18,9	0,0800	-	130	17		20	0,0902	10	155	17,4	20,4		0,0882	15	160	17,6	20,6	0,0900	35	180		18,4	21,4	0,0972	50	195		19,1	22,1	0,1026	60	205	19,5		22,5	0,1062	70	230	20,6	23,6	0,1152	80		280	22,8	25,8	0,1332	90		235	20,8	23,8	0,1170	110	255		21,7	24,7	0,1242	135	280	22,8	25,8	0,1332	225 x	180	235	27,1	30,1	0,1692	BFL	280	-	155	18,9	21,9	0,1127	BFL	-	-	9,8	11,5	0,0246	-	-	10,3	12	0,0287	-	-	10,8	12,5	0,0338	-	5	11,4	13,1	0,0390	-	20	12,1	13,8	0,0451	-	30	12,5	14,2	0,0492	-	37	12,9	14,6	0,0523	-	57	13,8	15,5	0,0605	-	80	14,8	16,5	0,0697	-	105	15,9	18,9	0,0800	-	130	17	20	0,0902	10	155	17,4	20,4	0,0882	15	160	17,6	20,6	0,0900	35	180	18,4	21,4	0,0972	50	195	19,1	22,1	0,1026	60	205	19,5	22,5	0,1062	70	230	20,6	23,6	0,1152	80	280	22,8	25,8	0,1332	90	235	20,8	23,8	0,1170	110	255	21,7	24,7	0,1242	135	280	22																																																																															
	15	160	16,9	19,9	0,0800		35	180	17,8	20,8	0,0864	50		195	18,4	21,4	0,0912	60	205	18,8	21,8	0,0944	200 x	70	230	19,9	22,9		0,1024	BFL	180	-		-		10,3	12		0,0276		BFL	80		280			22		25			0,1184		90			235		20,1			23,1	0,1040	110			255	20,9	23,9	0,1104		135	280	22	25		0,1184	15	160	16,9	19,9	0,0800	35	180	17,8	20,8	0,0864	50	195	18,4	21,4	0,0912	60	205	18,8	21,8	0,0944	70	230	19,9	22,9	0,1024	80	280	22	25	0,1184	90	235	20,1	23,1	0,1040	110	255	20,9	23,9	0,1104	135	280	22	25	0,1184	225 x	-	-	9,4	11,1		0,0216	BFL	225	-		-		11,3	13		0,0380		BFL	-		-						9,8		11,5													0,0252	-		-	10,3									12	0,0297	-	5	10,9	12,6	0,0396	-	20	11,5	13,2	0,0342	-	30	12	13,7	0,0432	-	37	12,3	14	0,0459	-	57	13,1	14,8	0,0531	-	80	14,1	15,8	0,0612	-	105	15,2	18,2	0,0702	-	130	16,3	19,3	0,0792	10	155	17,4	20,4	0,0882	15	160	17,6	20,6	0,0900	35	180	18,4	21,4	0,0972	50	195	19,1	22,1	0,1026	60	205	19,5	22,5	0,1062	250 x	70		230		20,6	23,6	0,1152	BFL		250			-	5			11,9	13,6		0,0437		BFL		80		280					22,8	25,8				0,1332	90			235	20,8		23,8	0,1170	110	255	21,7	24,7	0,1242	135	280	22,8	25,8	0,1332	15	160	17,6	20,6	0,0900	35	180	18,4	21,4	0,0972	50	195	19,1	22,1	0,1026	60	205	19,5	22,5	0,1062	70	230	20,6	23,6	0,1152		80	280	22,8	25,8			0,1332	90	235	20,8				23,8	0,1170	110	255				21,7	24,7	0,1242	135				280	22,8	25,8	0,1332				280 x	180		235					27,1		30,1				0,1692	BFL						280	-	20	12,6	14,3	0,0506					BFL	-	-	9,8	11,5	0,0246	-	-	10,3	12	0,0287	-	-	10,8	12,5	0,0338	-	5	11,4	13,1	0,0390	-	20	12,1	13,8	0,0451	-	30	12,5	14,2	0,0492	-	37	12,9	14,6	0,0523	-	57	13,8	15,5	0,0605	-	80	14,8	16,5	0,0697	-	105	15,9	18,9	0,0800	-	130		17	20	0,0902	10	155		17,4	20,4		0,0882	15	160		17,6	20,6		0,0900	35		180	18,4	21,4		0,0972	50		195	19,1		22,1	0,1026	60		205	19,5		22,5	0,1062		70	230	20,6		23,6	0,1152		80	280		22,8	25,8	0,1332		90	235		20,8	23,8		0,1170	110	255		21,7	24,7		0,1242	135		280		22,8			25,8			0,1332		225 x	180			235	27,1			30,1	0,1692	BFL		280	-	30		13,1	14,8	0,0552	BFL	-	-	9,8	11,5	0,0246	-	-	10,3	12	0,0287	-	-	10,8	12,5	0,0338	-	5	11,4	13,1		0,0390	-	20	12,1	13,8		0,0451	-	30	12,5	14,2			0,0492	-	37	12,9	14,6		0,0523	-	57	13,8	15,5			0,0605	-	80	14,8	16,5		0,0697	-	105	15,9	18,9			0,0800	-	130	17	20		0,0902	10	155	17,4	20,4			0,0882	15	160	17,6	20,6		0,0900	35	180	18,4	21,4			0,0972	50	195	19,1	22,1		0,1026	60	205	19,5	22,5			0,1062	70	230	20,6	23,6		0,1152	80	280	22,8	25,8			0,1332	90	235	20,8			23,8	0,1170	110	255				21,7	24,7	0,1242	135				280	22,8	25,8	0,1332	225 x				180	235	27,1	30,1	0,1692		BFL		280	-	37	13,4		15,1	0,0587		BFL	-	-	9,8	11,5		0,0246	-	-	10,3	12	0,0287		-	-		10,8	12,5	0,0338	-	5		11,4	13,1	0,0390	-	20	12,1		13,8	0,0451		-	30	12,5	14,2	0,0492		-	37	12,9	14,6	0,0523	-		57	13,8		15,5	0,0605	-	80	14,8		16,5	0,0697	-	105	15,9	18,9		0,0800	-		130	17	20	0,0902	10		155	17,4	20,4	0,0882	15	160		17,6	20,6		0,0900	35	180	18,4	21,4		0,0972	50	195	19,1	22,1	0,1026		60	205		19,5	22,5	0,1062	70	230			20,6	23,6		0,1152	80		280		22,8	25,8		0,1332		90		235	20,8	23,8			0,1170	110		255		21,7		24,7	0,1242	135			280	22,8		25,8	0,1332		225 x	180	235	27,1			30,1	0,1692	BFL	280	-	57		14,4	16,1	0,0679	BFL	-		-	9,8	11,5	0,0246	-		-	10,3	12	0,0287	-	-		10,8	12,5	0,0338	-	5		11,4	13,1	0,0390	-	20		12,1	13,8	0,0451	-	30	12,5		14,2	0,0492	-	37	12,9		14,6	0,0523	-	57	13,8		15,5	0,0605	-	80	14,8	16,5		0,0697	-	105	15,9	18,9		0,0800	-	130	17		20		0,0902	10	155		17,4	20,4	0,0882		15	160		17,6	20,6	0,0900		35	180	18,4	21,4		0,0972		50	195	19,1		22,1	0,1026			60	205		19,5	22,5	0,1062		70	230	20,6	23,6		0,1152			80	280		22,8	25,8	0,1332		90	235		20,8	23,8	0,1170			110	255	21,7		24,7	0,1242		135	280		22,8	25,8	0,1332	225 x		180		235	27,1	30,1	0,1692	BFL	280	-	80		15,4	17,1	0,0782	BFL	-		-	9,8	11,5	0,0246	-	-		10,3	12	0,0287	-	-	10,8	12,5	0,0338		-	5	11,4	13,1	0,0390		-	20		12,1	13,8	0,0451	-			30	12,5	14,2	0,0492	-	37		12,9	14,6		0,0523	-	57	13,8	15,5		0,0605	-		80	14,8	16,5	0,0697			-	105	15,9	18,9	0,0800	-		130	17		20	0,0902	10	155	17,4		20,4	0,0882		15	160	17,6	20,6			0,0900	35		180	18,4	21,4		0,0972	50		195	19,1	22,1	0,1026	60	205		19,5		22,5		0,1062	70	230		20,6	23,6		0,1152	80	280		22,8	25,8	0,1332		90	235		20,8	23,8	0,1170	110		255		21,7	24,7	0,1242		135	280	22,8		25,8	0,1332		225 x	180	235	27,1	30,1		0,1692	BFL	280	-	105		16,6		19,6	0,0897	BFL	-		-		9,8	11,5	0,0246	-	-	10,3		12	0,0287	-	-	10,8		12,5	0,0338	-	5	11,4		13,1		0,0390	-	20	12,1		13,8		0,0451	-	30	12,5	14,2	0,0492		-	37	12,9	14,6	0,0523		-	57	13,8	15,5	0,0605		-		80	14,8	16,5	0,0697		-		105	15,9	18,9	0,0800	-	130		17	20	0,0902	10	155			17,4	20,4	0,0882	15		160		17,6	20,6	0,0900	35		180	18,4		21,4	0,0972	50	195	19,1		22,1	0,1026	60	205	19,5			22,5	0,1062	70	230		20,6	23,6		0,1152	80	280		22,8	25,8		0,1332	90	235	20,8	23,8		0,1170	110	255	21,7	24,7		0,1242		135	280	22,8		25,8	0,1332	225 x	180	235	27,1		30,1	0,1692	BFL	280	-	130	17,8	20,8	0,1012	BFL	-	-	9,8	11,5		0,0246	-	-	10,3	12		0,0287	-	-	10,8	12,5	0,0338		-	5	11,4	13,1	0,0390	-	20	12,1	13,8	0,0451	-	30	12,5	14,2		0,0492	-	37	12,9	14,6		0,0523	-	57	13,8	15,5	0,0605		-	80	14,8	16,5	0,0697	-	105	15,9		18,9	0,0800	-	130	17		20	0,0902	10	155	17,4	20,4		0,0882	15	160	17,6	20,6	0,0900	35	180		18,4	21,4	0,0972	50	195		19,1	22,1	0,1026	60	205	19,5		22,5	0,1062	70	230	20,6	23,6	0,1152	80		280	22,8	25,8	0,1332	90		235	20,8	23,8	0,1170	110	255		21,7	24,7	0,1242	135	280	22,8	25,8	0,1332	225 x	180	235	27,1	30,1	0,1692	BFL	280	-	155	18,9	21,9	0,1127	BFL	-	-	9,8	11,5	0,0246	-	-	10,3	12	0,0287	-	-	10,8	12,5	0,0338	-	5	11,4	13,1	0,0390	-	20	12,1	13,8	0,0451	-	30	12,5	14,2	0,0492	-	37	12,9	14,6	0,0523	-	57	13,8	15,5	0,0605	-	80	14,8	16,5	0,0697	-	105	15,9	18,9	0,0800	-	130	17	20	0,0902	10	155	17,4	20,4	0,0882	15	160	17,6	20,6	0,0900	35	180	18,4	21,4	0,0972	50	195	19,1	22,1	0,1026	60	205	19,5	22,5	0,1062	70	230	20,6	23,6	0,1152	80	280	22,8	25,8	0,1332	90	235	20,8	23,8	0,1170	110	255	21,7	24,7	0,1242	135	280	22																																																									
	35	180	17,8	20,8	0,0864		50	195	18,4	21,4	0,0912	60		205	18,8	21,8	0,0944	200 x	70	230	19,9	22,9		0,1024	BFL	180	-		-		10,3	12		0,0276		BFL	80		280			22		25			0,1184		90			235		20,1			23,1	0,1040	110			255	20,9	23,9	0,1104		135	280	22	25		0,1184	15	160	16,9	19,9	0,0800	35	180	17,8	20,8	0,0864	50	195	18,4	21,4	0,0912	60	205	18,8	21,8	0,0944	70	230	19,9	22,9	0,1024	80	280	22	25	0,1184	90	235	20,1	23,1	0,1040	110	255	20,9	23,9	0,1104	135	280	22	25	0,1184	225 x	-	-	9,4	11,1		0,0216	BFL	225	-		-		11,3	13		0,0380		BFL	-		-			9,8		11,5						0,0252		-													-	10,3		12	0,0297									-	5	10,9	12,6	0,0396	-	20	11,5	13,2	0,0342	-	30	12	13,7	0,0432	-	37	12,3	14	0,0459	-	57	13,1	14,8	0,0531	-	80	14,1	15,8	0,0612	-	105	15,2	18,2	0,0702	-	130	16,3	19,3	0,0792	10	155	17,4	20,4	0,0882	15	160	17,6	20,6	0,0900	35	180	18,4	21,4	0,0972	50	195	19,1	22,1	0,1026	60	205	19,5	22,5	0,1062	250 x	70		230		20,6		23,6	0,1152	BFL			250	-		5	11,9			13,6	0,0437		BFL	80			280		22,8				25,8	0,1332	90				235	20,8			23,8	0,1170		110	255	21,7	24,7	0,1242	135	280	22,8	25,8	0,1332	15	160	17,6	20,6	0,0900	35	180	18,4	21,4	0,0972	50	195	19,1	22,1	0,1026	60	205	19,5	22,5	0,1062	70	230	20,6	23,6	0,1152	80	280		22,8	25,8	0,1332	90			235	20,8	23,8	0,1170				110	255	21,7	24,7				0,1242	135	280	22,8				25,8	0,1332	280 x	180					235		27,1					30,1		0,1692				BFL							280	-	20	12,6	14,3	0,0506						BFL	-	-	9,8	11,5	0,0246	-	-	10,3	12	0,0287	-	-	10,8	12,5	0,0338	-	5	11,4	13,1	0,0390	-	20	12,1	13,8	0,0451	-	30	12,5	14,2	0,0492	-	37	12,9	14,6	0,0523	-	57	13,8	15,5	0,0605	-	80	14,8	16,5	0,0697	-	105	15,9	18,9	0,0800	-		130	17	20	0,0902	10		155	17,4		20,4	0,0882	15		160	17,6		20,6	0,0900		35	180	18,4		21,4	0,0972		50	195		19,1	22,1	0,1026		60	205		19,5	22,5		0,1062	70	230		20,6	23,6		0,1152	80		280	22,8	25,8		0,1332	90		235	20,8		23,8	0,1170	110		255	21,7		24,7	0,1242		135		280			22,8			25,8			0,1332			225 x	180			235	27,1			30,1	0,1692	BFL		280	-	30		13,1	14,8	0,0552	BFL	-	-	9,8	11,5	0,0246	-	-	10,3	12	0,0287	-	-	10,8	12,5	0,0338		-	5	11,4	13,1	0,0390		-	20	12,1	13,8	0,0451			-	30	12,5	14,2	0,0492		-	37	12,9	14,6	0,0523			-	57	13,8	15,5	0,0605		-	80	14,8	16,5	0,0697			-	105	15,9	18,9	0,0800		-	130	17	20	0,0902			10	155	17,4	20,4	0,0882		15	160	17,6	20,6	0,0900			35	180	18,4	21,4	0,0972		50	195	19,1	22,1	0,1026			60	205	19,5	22,5	0,1062		70	230	20,6	23,6	0,1152			80	280	22,8	25,8			0,1332	90	235	20,8				23,8	0,1170	110	255				21,7	24,7	0,1242	135					280	22,8	25,8	0,1332	225 x				180	235	27,1	30,1		0,1692	BFL			280	-	37	13,4		15,1	0,0587	BFL	-	-	9,8		11,5	0,0246		-	-	10,3	12	0,0287		-	-	10,8	12,5	0,0338	-		5	11,4		13,1	0,0390	-	20	12,1		13,8	0,0451	-	30	12,5	14,2		0,0492	-		37	12,9	14,6	0,0523	-		57	13,8	15,5	0,0605	-	80		14,8	16,5		0,0697	-	105	15,9	18,9		0,0800	-	130	17	20	0,0902		10	155		17,4	20,4	0,0882	15	160		17,6	20,6	0,0900	35	180	18,4		21,4	0,0972		50	195	19,1	22,1	0,1026			60	205		19,5	22,5		0,1062		70	230		20,6		23,6		0,1152	80	280			22,8	25,8		0,1332		90		235	20,8	23,8			0,1170	110		255	21,7			24,7	0,1242	135			280	22,8		25,8	0,1332	225 x		180	235	27,1		30,1		0,1692	BFL	280	-	57		14,4	16,1	0,0679	BFL	-	-		9,8	11,5	0,0246	-	-		10,3	12	0,0287	-	-		10,8	12,5	0,0338	-	5	11,4		13,1	0,0390	-	20	12,1		13,8	0,0451	-	30	12,5		14,2	0,0492	-	37	12,9	14,6		0,0523	-	57	13,8	15,5		0,0605	-	80	14,8		16,5		0,0697	-	105		15,9	18,9	0,0800		-	130		17	20	0,0902		10	155	17,4	20,4		0,0882		15	160	17,6		20,6	0,0900			35	180		18,4	21,4	0,0972		50	195	19,1	22,1		0,1026			60	205		19,5	22,5	0,1062		70	230		20,6	23,6	0,1152			80	280	22,8		25,8	0,1332		90	235		20,8	23,8	0,1170			110		255	21,7	24,7	0,1242		135	280	22,8		25,8	0,1332	225 x		180		235	27,1	30,1	0,1692	BFL	280		-	80	15,4	17,1	0,0782	BFL	-	-		9,8	11,5	0,0246	-	-		10,3	12		0,0287	-	-	10,8			12,5	0,0338	-	5	11,4	13,1		0,0390	-		20	12,1	13,8	0,0451	-		30	12,5		14,2	0,0492	-	37			12,9	14,6	0,0523	-	57	13,8		15,5	0,0605		-	80	14,8	16,5	0,0697		-	105		15,9	18,9	0,0800	-			130	17		20	0,0902	10		155	17,4		20,4	0,0882	15	160	17,6	20,6		0,0900		35		180	18,4	21,4		0,0972	50		195	19,1	22,1		0,1026	60	205		19,5	22,5		0,1062	70	230	20,6		23,6		0,1152	80	280		22,8	25,8	0,1332		90	235			20,8	23,8	0,1170	110		255		21,7	24,7	0,1242		135		280	22,8		25,8		0,1332		225 x	180	235	27,1	30,1	0,1692		BFL	280	-	105	16,6		19,6	0,0897	BFL	-	-		9,8		11,5	0,0246	-	-		10,3		12	0,0287	-	-	10,8	12,5		0,0338	-	5	11,4	13,1		0,0390	-	20	12,1	13,8		0,0451		-	30	12,5	14,2		0,0492		-	37	12,9	14,6	0,0523	-		57	13,8	15,5	0,0605	-			80	14,8	16,5	0,0697		-		105	15,9	18,9	0,0800		-	130		17	20	0,0902	10	155		17,4	20,4	0,0882	15	160			17,6	20,6	0,0900	35		180	18,4		21,4	0,0972	50		195	19,1		22,1	0,1026	60	205	19,5		22,5	0,1062	70	230	20,6		23,6		0,1152	80	280		22,8	25,8		0,1332	90	235		20,8	23,8		0,1170	110	255	21,7	24,7	0,1242		135	280	22,8	25,8		0,1332	225 x	180	235	27,1		30,1	0,1692	BFL	280	-	130		17,8	20,8	0,1012	BFL	-	-	9,8	11,5	0,0246	-	-	10,3	12	0,0287		-	-	10,8	12,5	0,0338		-	5	11,4	13,1	0,0390	-		20	12,1	13,8	0,0451	-	30	12,5	14,2		0,0492	-	37	12,9	14,6		0,0523	-	57	13,8	15,5	0,0605		-	80	14,8	16,5	0,0697	-	105	15,9		18,9	0,0800	-	130	17		20	0,0902	10	155	17,4	20,4		0,0882	15	160	17,6	20,6	0,0900	35	180		18,4	21,4	0,0972	50	195		19,1	22,1	0,1026	60	205	19,5		22,5	0,1062	70	230	20,6	23,6	0,1152	80		280	22,8	25,8	0,1332	90		235	20,8	23,8	0,1170	110	255		21,7	24,7	0,1242	135	280	22,8	25,8	0,1332	225 x	180	235	27,1	30,1	0,1692	BFL	280	-	155	18,9	21,9	0,1127	BFL	-	-	9,8	11,5	0,0246	-	-	10,3	12	0,0287	-	-	10,8	12,5	0,0338	-	5	11,4	13,1	0,0390	-	20	12,1	13,8	0,0451	-	30	12,5	14,2	0,0492	-	37	12,9	14,6	0,0523	-	57	13,8	15,5	0,0605	-	80	14,8	16,5	0,0697	-	105	15,9	18,9	0,0800	-	130	17	20	0,0902	10	155	17,4	20,4	0,0882	15	160	17,6	20,6	0,0900	35	180	18,4	21,4	0,0972	50	195	19,1	22,1	0,1026	60	205	19,5	22,5	0,1062	70	230	20,6	23,6	0,1152	80	280	22,8	25,8	0,1332	90	235	20,8	23,8	0,1170	110	255	21,7	24,7	0,1242	135	280	22																																			
	50	195	18,4	21,4	0,0912		60	205	18,8	21,8	0,0944	200 x		70	230	19,9	22,9		0,1024	BFL	180	-		-		10,3	12		0,0276		BFL	80		280			22		25			0,1184		90			235		20,1			23,1	0,1040	110			255	20,9	23,9	0,1104		135	280	22	25		0,1184	15	160	16,9	19,9	0,0800	35	180	17,8	20,8	0,0864	50	195	18,4	21,4	0,0912	60	205	18,8	21,8	0,0944	70	230	19,9	22,9	0,1024	80	280	22	25	0,1184	90	235	20,1	23,1	0,1040	110	255	20,9	23,9	0,1104	135	280	22	25	0,1184	225 x	-	-	9,4	11,1		0,0216	BFL	225	-		-		11,3	13		0,0380		BFL	-		-			9,8		11,5			0,0252		-						-		10,3													12	0,0297		-	5									10,9	12,6	0,0396	-	20	11,5	13,2	0,0342	-	30	12	13,7	0,0432	-	37	12,3	14	0,0459	-	57	13,1	14,8	0,0531	-	80	14,1	15,8	0,0612	-	105	15,2	18,2	0,0702	-	130	16,3	19,3	0,0792	10	155	17,4	20,4	0,0882	15	160	17,6	20,6	0,0900	35	180	18,4	21,4	0,0972	50	195	19,1	22,1	0,1026	60	205	19,5	22,5	0,1062	250 x	70		230		20,6		23,6		0,1152	BFL				250	-		5	11,9	13,6		0,0437	BFL			80			280	22,8	25,8				0,1332	90	235		20,8		23,8	0,1170			110	255		21,7	24,7	0,1242	135	280	22,8	25,8	0,1332	15	160	17,6	20,6	0,0900	35	180	18,4	21,4	0,0972	50	195	19,1	22,1	0,1026	60	205	19,5	22,5	0,1062	70	230	20,6	23,6	0,1152	80	280	22,8	25,8		0,1332	90	235	20,8			23,8	0,1170	110	255				21,7	24,7	0,1242	135				280	22,8	25,8	0,1332				280 x	180		235					27,1		30,1					0,1692		BFL											280	-	20	12,6	14,3	0,0506							BFL	-	-	9,8	11,5	0,0246	-	-	10,3	12	0,0287	-	-	10,8	12,5	0,0338	-	5	11,4	13,1	0,0390	-	20	12,1	13,8	0,0451	-	30	12,5	14,2	0,0492	-	37	12,9	14,6	0,0523	-	57	13,8	15,5	0,0605	-	80	14,8	16,5	0,0697	-	105	15,9	18,9	0,0800		-	130	17	20	0,0902		10	155		17,4	20,4	0,0882		15	160		17,6	20,6		0,0900	35	180		18,4	21,4		0,0972	50		195	19,1	22,1		0,1026	60		205	19,5		22,5	0,1062	70		230	20,6		23,6	0,1152		80	280	22,8		25,8	0,1332		90	235		20,8	23,8	0,1170		110	255		21,7	24,7		0,1242		135			280			22,8			25,8				0,1332			225 x	180			235	27,1			30,1	0,1692	BFL		280	-	30		13,1	14,8	0,0552	BFL	-	-	9,8	11,5	0,0246	-	-	10,3	12	0,0287	-		-	10,8	12,5	0,0338	-		5	11,4	13,1	0,0390	-			20	12,1	13,8	0,0451	-		30	12,5	14,2	0,0492	-			37	12,9	14,6	0,0523	-		57	13,8	15,5	0,0605	-			80	14,8	16,5	0,0697	-		105	15,9	18,9	0,0800	-			130	17	20	0,0902	10		155	17,4	20,4	0,0882	15			160	17,6	20,6	0,0900	35		180	18,4	21,4	0,0972	50			195	19,1	22,1	0,1026	60		205	19,5	22,5	0,1062	70			230	20,6	23,6	0,1152			80	280	22,8	25,8				0,1332	90	235	20,8				23,8	0,1170	110	255					21,7	24,7	0,1242	135					280	22,8	25,8	0,1332		225 x				180	235	27,1	30,1		0,1692	BFL		280	-	37		13,4	15,1		0,0587	BFL	-	-	9,8		11,5	0,0246	-	-	10,3	12		0,0287	-		-	10,8	12,5	0,0338	-		5	11,4	13,1	0,0390	-	20		12,1	13,8		0,0451	-	30	12,5	14,2		0,0492	-	37	12,9	14,6	0,0523		-	57		13,8	15,5	0,0605	-	80		14,8	16,5	0,0697	-	105	15,9		18,9	0,0800		-	130	17	20	0,0902		10	155	17,4	20,4	0,0882	15		160	17,6		20,6	0,0900	35	180	18,4			21,4	0,0972		50	195		19,1		22,1	0,1026		60		205		19,5	22,5	0,1062			70	230		20,6		23,6		0,1152	80	280			22,8	25,8		0,1332	90			235	20,8	23,8			0,1170	110		255	21,7			24,7	0,1242	135		280		22,8		25,8	0,1332	225 x		180	235	27,1		30,1	0,1692		BFL	280	-	57	14,4		16,1	0,0679	BFL	-	-		9,8	11,5	0,0246	-	-	10,3		12	0,0287	-	-	10,8		12,5	0,0338	-	5	11,4		13,1	0,0390	-	20	12,1	13,8		0,0451	-	30	12,5	14,2		0,0492	-	37	12,9		14,6		0,0523	-	57		13,8	15,5	0,0605		-	80		14,8	16,5	0,0697		-	105	15,9	18,9		0,0800		-	130	17		20	0,0902			10	155		17,4	20,4	0,0882		15	160	17,6	20,6		0,0900			35	180		18,4	21,4	0,0972		50	195		19,1	22,1	0,1026			60	205	19,5		22,5	0,1062		70	230		20,6	23,6	0,1152			80		280	22,8	25,8	0,1332		90	235	20,8		23,8	0,1170			110		255	21,7	24,7	0,1242		135		280	22,8	25,8	0,1332	225 x		180	235		27,1	30,1	0,1692	BFL	280		-	80		15,4	17,1	0,0782	BFL			-	-	9,8	11,5	0,0246	-		-	10,3		12	0,0287	-	-	10,8		12,5	0,0338		-	5	11,4	13,1			0,0390	-	20	12,1	13,8	0,0451		-	30		12,5	14,2	0,0492	-	37		12,9	14,6		0,0523	-	57	13,8			15,5	0,0605		-	80	14,8		16,5	0,0697		-	105	15,9	18,9	0,0800	-		130		17		20	0,0902	10		155	17,4		20,4	0,0882	15		160	17,6	20,6		0,0900	35		180	18,4	21,4	0,0972		50		195	19,1	22,1		0,1026	60	205		19,5	22,5			0,1062	70	230	20,6		23,6		0,1152	80	280		22,8		25,8	0,1332		90		235			20,8	23,8	0,1170	110	255			21,7	24,7	0,1242	135		280	22,8		25,8	0,1332		225 x		180	235	27,1	30,1		0,1692		BFL	280	-	105	16,6	19,6		0,0897	BFL	-	-	9,8		11,5	0,0246	-	-	10,3		12		0,0287	-	-	10,8		12,5		0,0338	-	5	11,4	13,1	0,0390		-	20	12,1	13,8	0,0451			-	30	12,5	14,2		0,0492		-	37	12,9	14,6		0,0523	-		57	13,8	15,5	0,0605	-		80	14,8	16,5	0,0697	-			105	15,9	18,9	0,0800		-	130		17	20	0,0902		10	155		17,4	20,4	0,0882	15	160		17,6	20,6	0,0900	35	180		18,4		21,4	0,0972	50		195	19,1		22,1	0,1026	60		205	19,5		22,5	0,1062	70	230	20,6	23,6		0,1152	80	280	22,8		25,8		0,1332	90	235		20,8	23,8		0,1170	110	255		21,7	24,7	0,1242		135	280	22,8	25,8	0,1332	225 x	180	235	27,1	30,1		0,1692	BFL	280	-	130		17,8	20,8	0,1012	BFL	-	-		9,8	11,5	0,0246	-	-	10,3	12	0,0287		-	-	10,8	12,5	0,0338		-	5	11,4	13,1	0,0390	-		20	12,1	13,8	0,0451	-	30	12,5	14,2		0,0492	-	37	12,9	14,6		0,0523	-	57	13,8	15,5	0,0605		-	80	14,8	16,5	0,0697	-	105	15,9		18,9	0,0800	-	130	17		20	0,0902	10	155	17,4	20,4		0,0882	15	160	17,6	20,6	0,0900	35	180		18,4	21,4	0,0972	50	195		19,1	22,1	0,1026	60	205	19,5		22,5	0,1062	70	230	20,6	23,6	0,1152	80		280	22,8	25,8	0,1332	90		235	20,8	23,8	0,1170	110	255		21,7	24,7	0,1242	135	280	22,8	25,8	0,1332	225 x	180	235	27,1	30,1	0,1692	BFL	280	-	155	18,9	21,9	0,1127	BFL	-	-	9,8	11,5	0,0246	-	-	10,3	12	0,0287	-	-	10,8	12,5	0,0338	-	5	11,4	13,1	0,0390	-	20	12,1	13,8	0,0451	-	30	12,5	14,2	0,0492	-	37	12,9	14,6	0,0523	-	57	13,8	15,5	0,0605	-	80	14,8	16,5	0,0697	-	105	15,9	18,9	0,0800	-	130	17	20	0,0902	10	155	17,4	20,4	0,0882	15	160	17,6	20,6	0,0900	35	180	18,4	21,4	0,0972	50	195	19,1	22,1	0,1026	60	205	19,5	22,5	0,1062	70	230	20,6	23,6	0,1152	80	280	22,8	25,8	0,1332	90	235	20,8	23,8	0,1170	110	255	21,7	24,7	0,1242	135	280	22													
	60	205	18,8	21,8	0,0944		200 x	70	230	19,9	22,9			0,1024	BFL	180	-		-		10,3	12		0,0276		BFL	80		280			22		25			0,1184		90			235		20,1			23,1	0,1040	110			255	20,9	23,9	0,1104		135	280	22	25		0,1184	15	160	16,9	19,9	0,0800	35	180	17,8	20,8	0,0864	50	195	18,4	21,4	0,0912	60	205	18,8	21,8	0,0944	70	230	19,9	22,9	0,1024	80	280	22	25	0,1184	90	235	20,1	23,1	0,1040	110	255	20,9	23,9	0,1104	135	280	22	25	0,1184	225 x	-	-	9,4	11,1		0,0216	BFL	225	-		-		11,3	13		0,0380		BFL	-		-			9,8		11,5			0,0252		-			-		10,3						12		0,0297													-	5		10,9	12,6									0,0396	-	20	11,5	13,2	0,0342	-	30	12	13,7	0,0432	-	37	12,3	14	0,0459	-	57	13,1	14,8	0,0531	-	80	14,1	15,8	0,0612	-	105	15,2	18,2	0,0702	-	130	16,3	19,3	0,0792	10	155	17,4	20,4	0,0882	15	160	17,6	20,6	0,0900	35	180	18,4	21,4	0,0972	50	195	19,1	22,1	0,1026	60	205	19,5	22,5	0,1062	250 x	70		230		20,6		23,6		0,1152		BFL					250	-		5	11,9	13,6		0,0437		BFL		80			280	22,8	25,8			0,1332	90	235	20,8		23,8		0,1170	110	255		21,7	24,7		0,1242	135	280	22,8	25,8	0,1332	15	160	17,6	20,6	0,0900	35	180	18,4	21,4	0,0972	50	195	19,1	22,1	0,1026	60	205	19,5	22,5	0,1062	70	230	20,6	23,6	0,1152	80	280	22,8	25,8	0,1332	90		235	20,8	23,8	0,1170			110	255	21,7	24,7				0,1242	135	280	22,8				25,8	0,1332	280 x	180					235		27,1					30,1		0,1692					BFL													280	-	20	12,6	14,3	0,0506								BFL	-	-	9,8	11,5	0,0246	-	-	10,3	12	0,0287	-	-	10,8	12,5	0,0338	-	5	11,4	13,1	0,0390	-	20	12,1	13,8	0,0451	-	30	12,5	14,2	0,0492	-	37	12,9	14,6	0,0523	-	57	13,8	15,5	0,0605	-	80	14,8	16,5	0,0697	-	105	15,9	18,9		0,0800	-	130	17	20		0,0902	10		155	17,4	20,4		0,0882	15		160	17,6		20,6	0,0900	35		180	18,4		21,4	0,0972		50	195	19,1		22,1	0,1026		60	205		19,5	22,5	0,1062		70	230		20,6	23,6		0,1152	80	280		22,8	25,8		0,1332	90		235	20,8	23,8		0,1170	110		255	21,7		24,7		0,1242			135			280			22,8				25,8				0,1332			225 x	180			235	27,1			30,1	0,1692	BFL		280	-	30		13,1	14,8	0,0552	BFL	-	-	9,8	11,5	0,0246	-	-		10,3	12	0,0287	-	-		10,8	12,5	0,0338	-	5			11,4	13,1	0,0390	-	20		12,1	13,8	0,0451	-	30			12,5	14,2	0,0492	-	37		12,9	14,6	0,0523	-	57			13,8	15,5	0,0605	-	80		14,8	16,5	0,0697	-	105			15,9	18,9	0,0800	-	130		17	20	0,0902	10	155			17,4	20,4	0,0882	15	160		17,6	20,6	0,0900	35	180			18,4	21,4	0,0972	50	195		19,1	22,1	0,1026	60	205			19,5	22,5	0,1062	70			230	20,6	23,6	0,1152				80	280	22,8	25,8				0,1332	90	235	20,8					23,8	0,1170	110	255					21,7	24,7	0,1242	135						280	22,8	25,8	0,1332		225 x			180	235	27,1		30,1	0,1692		BFL		280	-	37		13,4	15,1	0,0587	BFL	-	-		9,8	11,5		0,0246	-	-	10,3	12		0,0287	-	-	10,8	12,5	0,0338		-	5		11,4	13,1	0,0390	-	20		12,1	13,8	0,0451	-	30	12,5		14,2	0,0492		-	37	12,9	14,6	0,0523		-	57	13,8	15,5	0,0605	-		80	14,8		16,5	0,0697	-	105	15,9		18,9	0,0800	-	130	17	20		0,0902	10		155	17,4	20,4	0,0882	15			160	17,6		20,6	0,0900		35		180	18,4		21,4		0,0972		50	195	19,1			22,1	0,1026		60		205		19,5	22,5	0,1062			70	230		20,6	23,6			0,1152	80	280			22,8	25,8		0,1332	90			235	20,8	23,8		0,1170		110		255	21,7			24,7	0,1242	135		280	22,8			25,8	0,1332	225 x	180		235	27,1		30,1	0,1692		BFL	280	-	57	14,4	16,1		0,0679	BFL	-	-	9,8		11,5	0,0246	-	-	10,3		12	0,0287	-	-	10,8	12,5		0,0338	-	5	11,4	13,1		0,0390	-	20	12,1		13,8		0,0451	-	30		12,5	14,2	0,0492		-	37		12,9	14,6	0,0523		-	57	13,8	15,5		0,0605		-	80	14,8		16,5	0,0697			-	105		15,9	18,9	0,0800		-	130	17	20		0,0902			10	155		17,4	20,4	0,0882		15	160		17,6	20,6	0,0900			35	180	18,4		21,4	0,0972		50	195		19,1	22,1	0,1026			60		205	19,5	22,5	0,1062		70	230	20,6		23,6	0,1152			80		280	22,8	25,8	0,1332		90		235	20,8	23,8	0,1170			110	255		21,7	24,7	0,1242		135		280	22,8		25,8	0,1332	225 x				180	235	27,1	30,1	0,1692	BFL		280	-		80	15,4	17,1	0,0782	BFL		-	-		9,8	11,5	0,0246	-			-	10,3	12	0,0287	-	-		10,8	12,5		0,0338	-	5	11,4	13,1		0,0390	-		20	12,1	13,8	0,0451			-	30		12,5	14,2	0,0492		-	37		12,9	14,6	0,0523	-	57	13,8		15,5		0,0605		-	80	14,8		16,5	0,0697		-	105	15,9		18,9	0,0800	-		130	17		20	0,0902	10	155		17,4		20,4	0,0882	15		160	17,6	20,6		0,0900	35			180	18,4	21,4	0,0972		50		195	19,1	22,1		0,1026		60	205		19,5		22,5			0,1062	70	230	20,6	23,6			0,1152	80	280	22,8		25,8	0,1332		90	235				20,8	23,8	0,1170	110		255			21,7	24,7	0,1242	135	280		22,8		25,8	0,1332	225 x		180	235	27,1	30,1	0,1692		BFL		280	-	105	16,6		19,6		0,0897	BFL	-	-	9,8	11,5		0,0246	-	-	10,3	12			0,0287	-	-	10,8		12,5		0,0338	-	5	11,4		13,1	0,0390		-	20	12,1	13,8	0,0451		-	30	12,5	14,2	0,0492			-	37	12,9	14,6		0,0523	-		57	13,8	15,5		0,0605	-		80	14,8	16,5	0,0697	-		105	15,9	18,9	0,0800	-		130		17	20	0,0902		10	155		17,4	20,4	0,0882		15	160		17,6	20,6	0,0900	35	180	18,4		21,4	0,0972	50	195		19,1		22,1	0,1026	60		205	19,5		22,5	0,1062	70		230	20,6	23,6		0,1152	80	280	22,8	25,8		0,1332	90	235	20,8		23,8		0,1170	110	255		21,7	24,7	0,1242		135	280		22,8	25,8	0,1332	225 x	180	235	27,1	30,1		0,1692	BFL	280	-	130		17,8	20,8	0,1012	BFL	-	-		9,8	11,5	0,0246	-	-	10,3	12	0,0287		-	-	10,8	12,5	0,0338		-	5	11,4	13,1	0,0390	-		20	12,1	13,8	0,0451	-	30	12,5	14,2		0,0492	-	37	12,9	14,6		0,0523	-	57	13,8	15,5	0,0605		-	80	14,8	16,5	0,0697	-	105	15,9		18,9	0,0800	-	130	17		20	0,0902	10	155	17,4	20,4		0,0882	15	160	17,6	20,6	0,0900	35	180		18,4	21,4	0,0972	50	195		19,1	22,1	0,1026	60	205	19,5		22,5	0,1062	70	230	20,6	23,6	0,1152	80		280	22,8	25,8	0,1332	90		235	20,8	23,8	0,1170	110	255		21,7	24,7	0,1242	135	280	22,8	25,8	0,1332	225 x	180	235	27,1	30,1	0,1692	BFL	280	-	155	18,9	21,9	0,1127	BFL	-	-	9,8	11,5	0,0246	-	-	10,3	12	0,0287	-	-	10,8	12,5	0,0338	-	5	11,4	13,1	0,0390	-	20	12,1	13,8	0,0451	-	30	12,5	14,2	0,0492	-	37	12,9	14,6	0,0523	-	57	13,8	15,5	0,0605	-	80	14,8	16,5	0,0697	-	105	15,9	18,9	0,0800	-	130	17	20	0,0902	10	155	17,4	20,4	0,0882	15	160	17,6	20,6	0,0900	35	180	18,4	21,4	0,0972	50	195	19,1	22,1	0,1026	60	205	19,5	22,5	0,1062	70	230	20,6	23,6	0,1152	80	280	22,8	25,8	0,1332	90	235	20,8	23,8
200 x	70	230	19,9	22,9	0,1024	BFL		180	-	-	10,3		12	0,0276		BFL																																																																																																																																																																																																																																																																																																																																																																																																																																																																																																																																																																																																																																																																																																																																																																																																																																																																																																																																																																																																																																																																																																																																																																																																																																																																																																																																																																																																																																																																																																																																																																																																																																																															
	80	280	22	25	0,1184			90	235	20,1	23,1		0,1040	110			255		20,9		23,9	0,1104		135			280		22			25		0,1184			15	160	16,9			19,9	0,0800	35	180		17,8	20,8	0,0864	50		195	18,4	21,4	0,0912	60	205	18,8	21,8	0,0944	70	230	19,9	22,9	0,1024	80	280	22	25	0,1184	90	235	20,1	23,1	0,1040	110	255	20,9	23,9	0,1104	135	280	22	25	0,1184	225 x	-	-	9,4	11,1	0,0216	BFL	225	-	-	11,3	13	0,0380	BFL	-	-	9,8	11,5	0,0252	-	-	10,3		12	0,0297	-	5		10,9		12,6	0,0396		-		20	11,5		13,2			0,0342		-			30		12			13,7		0,0432			-		37						12,3		14					0,0459						-		57	13,1		14,8	0,0531	-								80	14,1	15,8	0,0612	-	105	15,2	18,2	0,0702	-	130	16,3	19,3	0,0792	10	155	17,4	20,4	0,0882	15	160	17,6	20,6	0,0900	35	180	18,4	21,4	0,0972	50	195	19,1	22,1	0,1026	60	205	19,5	22,5	0,1062	250 x	70	230	20,6	23,6	0,1152	BFL	250	-	5	11,9	13,6	0,0437	BFL	80	280	22,8	25,8	0,1332	90	235	20,8		23,8		0,1170		110		255		21,7						24,7	0,1242	135		280	22,8	25,8		0,1332				15		160	17,6	20,6	0,0900	35		180	18,4	21,4	0,0972	50	195		19,1	22,1	0,1026	60	205	19,5	22,5	0,1062	70	230	20,6	23,6	0,1152	80	280	22,8	25,8	0,1332	90	235	20,8	23,8	0,1170	110	255	21,7	24,7	0,1242	135	280	22,8	25,8	0,1332	280 x	180	235	27,1	30,1	0,1692	BFL	280	-	20	12,6	14,3	0,0506	BFL	-	-		9,8	11,5	0,0246	-	-			10,3	12	0,0287	-	-				10,8	12,5		0,0338					-		5					11,4		13,1																		0,0390	-	20	12,1	13,8	0,0451									-	30	12,5	14,2	0,0492	-	37	12,9	14,6	0,0523	-	57	13,8	15,5	0,0605	-	80	14,8	16,5	0,0697	-	105	15,9	18,9	0,0800	-	130	17	20	0,0902	10	155	17,4	20,4	0,0882	15	160	17,6	20,6	0,0900	35	180	18,4	21,4	0,0972	50	195	19,1	22,1	0,1026	60	205	19,5	22,5	0,1062	70	230	20,6		23,6	0,1152	80	280	22,8	25,8		0,1332	90		235	20,8	23,8		0,1170	110		255	21,7		24,7	0,1242	135		280	22,8		25,8	0,1332		225 x	180	235		27,1	30,1		0,1692	BFL		280	-	30		13,1	14,8		0,0552	BFL		-	-	9,8		11,5	0,0246		-	-		10,3		12			0,0287			-			-				10,8				12,5				0,0338			-	5			11,4	13,1			0,0390	-	20		12,1	13,8	0,0451		-	30	12,5	14,2	0,0492	-	37	12,9	14,6	0,0523	-	57	13,8	15,5	0,0605	-	80	14,8	16,5		0,0697	-	105	15,9	18,9	0,0800		-	130	17	20	0,0902			10	155	17,4	20,4	0,0882		15	160	17,6	20,6	0,0900			35	180	18,4	21,4	0,0972		50	195	19,1	22,1	0,1026			60	205	19,5	22,5	0,1062		70	230	20,6	23,6	0,1152			80	280	22,8	25,8	0,1332		90	235	20,8	23,8	0,1170			110	255	21,7	24,7	0,1242		135	280	22,8	25,8	0,1332			225 x	180	235	27,1			30,1	0,1692	BFL	280				-	37	13,4	15,1				0,0587	BFL	-	-				9,8	11,5	0,0246	-	-		10,3			12	0,0287	-	-	10,8					12,5	0,0338	-	5					11,4	13,1	0,0390		-	20				12,1	13,8	0,0451		-	30	12,5		14,2	0,0492		-	37		12,9	14,6	0,0523	-	57		13,8	15,5	0,0605	-	80	14,8		16,5	0,0697		-	105	15,9	18,9	0,0800		-	130	17	20	0,0902	10		155	17,4		20,4	0,0882	15	160	17,6		20,6	0,0900	35	180	18,4	21,4		0,0972	50		195	19,1	22,1	0,1026	60		205	19,5	22,5	0,1062	70	230		20,6	23,6		0,1152	80	280	22,8	25,8		0,1332	90	235		20,8	23,8	0,1170	110		255	21,7		24,7	0,1242	135		280	22,8	25,8			0,1332	225 x		180		235		27,1	30,1	0,1692			BFL	280		-	57			14,4	16,1	0,0679			BFL	-		-	9,8			11,5	0,0246	-		-		10,3		12	0,0287			-	-	10,8		12,5	0,0338			-	5		11,4		13,1	0,0390		-	20			12,1	13,8	0,0451	-	30		12,5		14,2	0,0492	-		37	12,9	14,6	0,0523	-		57	13,8	15,5	0,0605	-	80		14,8	16,5	0,0697	-	105		15,9	18,9	0,0800	-	130	17		20	0,0902	10	155	17,4	20,4	0,0882		15	160	17,6	20,6	0,0900	35		180	18,4	21,4	0,0972		50		195	19,1	22,1		0,1026	60			205	19,5		22,5	0,1062	70		230	20,6	23,6	0,1152		80			280	22,8		25,8	0,1332	90		235	20,8		23,8	0,1170	110			255	21,7	24,7		0,1242	135		280	22,8		25,8	0,1332	225 x			180		235	27,1	30,1	0,1692		BFL	280	-		80	15,4			17,1		0,0782	BFL	-	-		9,8		11,5	0,0246	-	-			10,3	12		0,0287	-	-		10,8		12,5	0,0338	-	5	11,4				13,1	0,0390	-	20	12,1	13,8		0,0451	-	30		12,5	14,2	0,0492	-			37	12,9		14,6	0,0523	-	57			13,8	15,5	0,0605	-	80	14,8		16,5	0,0697		-	105	15,9	18,9	0,0800		-	130		17	20	0,0902	10			155	17,4		20,4	0,0882	15		160	17,6		20,6	0,0900	35	180	18,4	21,4		0,0972		50		195	19,1	22,1		0,1026	60		205	19,5	22,5		0,1062	70	230		20,6	23,6		0,1152	80	280	22,8		25,8		0,1332	90	235		20,8	23,8	0,1170		110	255			21,7	24,7	0,1242	135	280	22,8		25,8	0,1332	225 x	180	235		27,1	30,1		0,1692	BFL	280			-	105	16,6	19,6	0,0897			BFL	-	-	9,8		11,5	0,0246		-	-				10,3	12	0,0287	-		-			10,8	12,5	0,0338	-	5		11,4		13,1	0,0390			-	20	12,1	13,8	0,0451				-	30	12,5	14,2		0,0492		-		37	12,9	14,6	0,0523		-	57	13,8	15,5	0,0605			-	80	14,8	16,5		0,0697		-	105	15,9	18,9		0,0800	-		130	17	20	0,0902	10		155	17,4	20,4	0,0882	15			160	17,6	20,6	0,0900		35	180		18,4	21,4	0,0972		50	195		19,1	22,1	0,1026	60	205		19,5	22,5	0,1062	70	230		20,6		23,6	0,1152	80		280	22,8		25,8	0,1332	90		235	20,8		23,8	0,1170	110	255	21,7	24,7		0,1242	135	280	22,8		25,8		0,1332	225 x	180		235	27,1		30,1	0,1692	BFL		280	-	130		17,8	20,8	0,1012	BFL	-		-	9,8	11,5	0,0246		-		-	10,3	12		0,0287	-	-		10,8	12,5		0,0338	-	5		11,4	13,1	0,0390	-		20		12,1	13,8	0,0451		-	30	12,5		14,2	0,0492		-	37	12,9	14,6	0,0523	-	57	13,8		15,5	0,0605	-	80	14,8		16,5	0,0697	-	105	15,9	18,9		0,0800	-	130	17	20	0,0902	10	155		17,4	20,4	0,0882	15	160		17,6	20,6	0,0900	35	180	18,4		21,4	0,0972	50	195	19,1	22,1	0,1026	60		205	19,5	22,5	0,1062	70		230	20,6	23,6	0,1152	80	280		22,8	25,8	0,1332	90	235	20,8	23,8	0,1170		110	255	21,7	24,7	0,1242		135	280	22,8	25,8	0,1332	225 x		180	235	27,1	30,1	0,1692	BFL	280	-		155	18,9	21,9	0,1127	BFL		-	-	9,8	11,5	0,0246	-		-	10,3	12	0,0287	-	-	10,8	12,5		0,0338	-	5	11,4	13,1		0,0390	-	20	12,1	13,8	0,0451		-	30	12,5	14,2	0,0492	-	37	12,9	14,6	0,0523	-	57	13,8	15,5	0,0605	-	80	14,8	16,5	0,0697	-	105	15,9	18,9	0,0800	-	130	17	20	0,0902	10	155	17,4	20,4	0,0882	15	160	17,6	20,6	0,0900	35	180	18,4	21,4	0,0972	50	195	19,1	22,1	0,1026	60	205	19,5	22,5	0,1062	70	230	20,6	23,6	0,1152	80	280	22,8	25,8	0,1332	90	235	20,8	23,8	0,1170	110	255	21,7	24,7	0,1242	135	280	22																
	90	235	20,1	23,1	0,1040			110	255	20,9	23,9		0,1104	135			280		22		25	0,1184		15			160		16,9			19,9	0,0800	35			180	17,8	20,8	0,0864		50	195	18,4	21,4		0,0912	60	205	18,8	21,8	0,0944	70	230	19,9	22,9	0,1024	80	280	22	25	0,1184	90	235	20,1	23,1	0,1040	110	255	20,9	23,9	0,1104	135	280	22	25	0,1184	225 x	-	-	9,4	11,1	0,0216	BFL	225		-	-	11,3	13	0,0380		BFL	-	-	9,8	11,5	0,0252		-	-	10,3	12	0,0297	-	5	10,9		12,6	0,0396	-	20		11,5		13,2	0,0342		-		30	12		13,7			0,0432		-			37		12,3			14		0,0459			-		57						13,1		14,8			0,0531		-					80	14,1		15,8	0,0612		-	105	15,2	18,2							0,0702	-	130	16,3	19,3	0,0792	10	155	17,4	20,4	0,0882	15	160	17,6	20,6	0,0900	35	180	18,4	21,4	0,0972	50	195	19,1	22,1	0,1026	60	205	19,5	22,5	0,1062	250 x	70	230	20,6	23,6	0,1152	BFL	250		-	5	11,9	13,6	0,0437		BFL	80	280	22,8	25,8	0,1332		90	235	20,8	23,8	0,1170	110	255	21,7		24,7		0,1242		135		280		22,8	25,8					0,1332	15	160		17,6	20,6	0,0900	35	180				18,4		21,4	0,0972	50	195	19,1		22,1	0,1026	60	205	19,5	22,5	0,1062	70	230	20,6	23,6	0,1152	80	280	22,8	25,8	0,1332	90	235	20,8	23,8	0,1170	110	255	21,7	24,7	0,1242	135	280	22,8	25,8	0,1332	280 x	180	235	27,1	30,1	0,1692	BFL	280		-	20	12,6	14,3	0,0506		BFL	-	-	9,8	11,5	0,0246		-	-	10,3	12	0,0287	-	-	10,8		12,5	0,0338	-	5	11,4	13,1			0,0390	-	20		12,1					13,8		0,0451					-		30																		12,5	14,2	0,0492	-	37	12,9									14,6	0,0523	-	57	13,8	15,5	0,0605	-	80	14,8	16,5	0,0697	-	105	15,9	18,9	0,0800	-	130	17	20	0,0902	10	155	17,4	20,4	0,0882	15	160	17,6	20,6	0,0900	35	180	18,4	21,4	0,0972	50	195	19,1	22,1	0,1026	60	205	19,5	22,5	0,1062	70	230	20,6	23,6	0,1152	80	280	22,8	25,8	0,1332	90	235	20,8	23,8	0,1170	110	255	21,7	24,7	0,1242	135		280	22,8	25,8	0,1332	225 x	180		235	27,1		30,1	0,1692	BFL		280	-		30	13,1			14,8	0,0552		BFL	-		-			9,8	11,5	0,0246		-	-		10,3			12	0,0287	-		-	10,8		12,5	0,0338		-		5			11,4			13,1			0,0390				-				20				12,1			13,8	0,0451			-	30			12,5	14,2	0,0492		-	37	12,9		14,6	0,0523	-	57	13,8	15,5	0,0605	-	80	14,8	16,5	0,0697	-	105	15,9	18,9	0,0800	-	130	17	20	0,0902	10	155	17,4	20,4	0,0882	15	160	17,6	20,6	0,0900		35	180	18,4	21,4	0,0972	50		195	19,1	22,1	0,1026	60			205	19,5	22,5	0,1062	70		230	20,6	23,6	0,1152	80			280	22,8	25,8	0,1332	90		235	20,8	23,8	0,1170	110			255	21,7	24,7	0,1242	135		280	22,8	25,8	0,1332	225 x			180	235	27,1	30,1	0,1692		BFL	280	-	37	13,4				15,1	0,0587	BFL			-	-		9,8				11,5	0,0246	-	-				10,3		12	0,0287				-	-	10,8	12,5	0,0338		-			5	11,4	13,1	0,0390	-			20		12,1	13,8	0,0451	-	30				12,5	14,2	0,0492	-	37	12,9				14,6	0,0523	-		57	13,8	15,5		0,0605	-		80	14,8		16,5	0,0697	-	105	15,9		18,9	0,0800	-	130	17	20		0,0902	10		155	17,4	20,4	0,0882	15		160	17,6	20,6	0,0900	35	180		18,4	21,4		0,0972	50	195	19,1	22,1		0,1026	60	205	19,5	22,5	0,1062		70	230		20,6	23,6	0,1152	80	280		22,8	25,8	0,1332	90	235	20,8		23,8	0,1170		110	255	21,7	24,7	0,1242		135	280	22,8		25,8	0,1332	225 x	180		235	27,1		30,1	0,1692	BFL		280	-	57	14,4		16,1			0,0679	BFL	-		-	9,8	11,5		0,0246		-		-	10,3			12	0,0287	-				-		10,8	12,5			0,0338	-	5		11,4		13,1		0,0390	-			20	12,1	13,8		0,0451	-			30	12,5		14,2		0,0492	-		37	12,9			14,6	0,0523	-	57	13,8		15,5		0,0605	-	80		14,8	16,5	0,0697	-	105		15,9	18,9	0,0800	-	130	17		20	0,0902	10	155	17,4		20,4	0,0882	15	160	17,6	20,6		0,0900	35	180	18,4	21,4	0,0972	50		195	19,1	22,1	0,1026	60	205		19,5	22,5	0,1062	70	230	20,6		23,6	0,1152	80	280	22,8	25,8			0,1332	90	235	20,8	23,8	0,1170		110	255	21,7	24,7		0,1242			135	280		22,8	25,8	0,1332		225 x	180		235	27,1	30,1			0,1692	BFL	280		-	80		15,4	17,1		0,0782	BFL				-		-	9,8	11,5	0,0246			-	-		10,3	12			0,0287		-		-	10,8		12,5		0,0338	-	5	11,4			13,1	0,0390		-	20	12,1		13,8		0,0451	-	30	12,5	14,2				0,0492	-	37	12,9	14,6	0,0523		-	57	13,8		15,5	0,0605	-	80			14,8	16,5	0,0697	-	105	15,9	18,9		0,0800	-	130	17	20	0,0902	10	155	17,4	20,4		0,0882	15	160	17,6	20,6		0,0900	35		180	18,4	21,4	0,0972			50	195		19,1	22,1	0,1026		60	205		19,5	22,5	0,1062	70	230	20,6		23,6		0,1152		80	280	22,8		25,8	0,1332		90	235	20,8		23,8	0,1170	110		255	21,7		24,7	0,1242	135	280		22,8		25,8	0,1332	225 x		180	235	27,1		30,1	0,1692			BFL	280	-	105	16,6	19,6		0,0897	BFL		-	-		9,8	11,5		0,0246		-			-	10,3	12	0,0287	-				-	10,8	12,5	0,0338	-	5		11,4	13,1	0,0390			-	20	12,1	13,8	0,0451	-			30	12,5	14,2	0,0492	-		37		12,9	14,6			0,0523	-	57	13,8	15,5				0,0605	-	80	14,8		16,5		0,0697		-	105	15,9	18,9		0,0800	-	130	17	20			0,0902	10	155	17,4		20,4		0,0882	15	160	17,6		20,6	0,0900		35	180	18,4	21,4	0,0972		50	195	19,1	22,1	0,1026			60	205	19,5	22,5		0,1062	70		230	20,6	23,6		0,1152	80		280	22,8	25,8	0,1332	90		235	20,8	23,8	0,1170	110		255		21,7	24,7	0,1242		135	280		22,8	25,8	0,1332		225 x	180		235	27,1	30,1	0,1692	BFL	280		-	130	17,8	20,8		0,1012		BFL		-		-	9,8		11,5	0,0246			-	-	10,3		12	0,0287	-		-		10,8	12,5	0,0338	-		5		11,4	13,1	0,0390		-	20	12,1		13,8	0,0451		-	30	12,5		14,2	0,0492	-	37		12,9		14,6	0,0523	-		57	13,8	15,5		0,0605	-		80	14,8	16,5	0,0697	-	105	15,9	18,9		0,0800	-	130	17	20		0,0902	10	155	17,4	20,4	0,0882		15	160	17,6	20,6	0,0900	35	180	18,4		21,4	0,0972	50	195	19,1		22,1	0,1026	60	205	19,5	22,5		0,1062	70	230	20,6	23,6	0,1152	80	280		22,8	25,8	0,1332	90	235		20,8	23,8	0,1170	110	255	21,7		24,7	0,1242	135	280	22,8	25,8	0,1332	225 x		180	235	27,1	30,1	0,1692		BFL	280	-	155	18,9			21,9	0,1127	BFL	-	-		9,8	11,5		0,0246	-	-	10,3			12	0,0287	-	-	10,8	12,5		0,0338	-	5	11,4	13,1	0,0390	-	20		12,1	13,8	0,0451	-	30		12,5	14,2	0,0492	-	37	12,9		14,6	0,0523	-	57	13,8	15,5	0,0605	-	80	14,8	16,5	0,0697	-	105	15,9	18,9	0,0800	-	130	17	20	0,0902	10	155	17,4	20,4	0,0882	15	160	17,6	20,6	0,0900	35	180	18,4	21,4	0,0972	50	195	19,1	22,1	0,1026	60	205	19,5	22,5	0,1062	70	230	20,6	23,6	0,1152	80	280	22,8	25,8	0,1332	90	235	20,8	23,8	0,1170	110	255	21,7	24,7	0,1242	135	280	22																								
	110	255	20,9	23,9	0,1104			135	280	22	25		0,1184	15			160		16,9		19,9	0,0800		35			180	17,8	20,8			0,0864	50	195	18,4		21,4	0,0912	60	205		18,8	21,8	0,0944	70	230	19,9	22,9	0,1024	80	280	22	25	0,1184	90	235	20,1	23,1	0,1040	110	255	20,9	23,9	0,1104	135	280	22	25	0,1184	225 x	-	-	9,4	11,1	0,0216	BFL	225		-	-	11,3	13	0,0380		BFL		-	-	9,8	11,5	0,0252			-	-	10,3	12	0,0297		-	5	10,9	12,6	0,0396	-	20	11,5		13,2	0,0342	-	30		12		13,7	0,0432		-		37	12,3		14			0,0459		-			57		13,1			14,8		0,0531			-		80						14,1		15,8	0,0612		-		105				15,2	18,2	0,0702		-	130		16,3	19,3	0,0792	10	155						17,4	20,4	0,0882	15	160	17,6	20,6	0,0900	35	180	18,4	21,4	0,0972	50	195	19,1	22,1	0,1026	60	205	19,5	22,5	0,1062	250 x	70	230	20,6	23,6	0,1152	BFL	250		-	5	11,9	13,6	0,0437		BFL		80	280	22,8	25,8	0,1332			90	235	20,8	23,8	0,1170		110	255	21,7	24,7	0,1242	135	280	22,8		25,8		0,1332		15		160	17,6	20,6	0,0900					35	180	18,4	21,4	0,0972	50	195	19,1	22,1				0,1026		60	205	19,5	22,5	0,1062	70	230	20,6	23,6	0,1152	80	280	22,8	25,8	0,1332	90	235	20,8	23,8	0,1170	110	255	21,7	24,7	0,1242	135	280	22,8	25,8	0,1332	280 x	180	235	27,1	30,1	0,1692	BFL	280		-	20	12,6	14,3	0,0506		BFL		-	-	9,8	11,5	0,0246			-	-	10,3	12	0,0287		-	-	10,8	12,5	0,0338	-	5	11,4	13,1	0,0390	-	20	12,1	13,8	0,0451		-	30	12,5	14,2		0,0492			-		37		12,9					14,6		0,0523																		-	57	13,8	15,5	0,0605	-									80	14,8	16,5	0,0697	-	105	15,9	18,9	0,0800	-	130	17	20	0,0902	10	155	17,4	20,4	0,0882	15	160	17,6	20,6	0,0900	35	180	18,4	21,4	0,0972	50	195	19,1	22,1	0,1026	60	205	19,5	22,5	0,1062	70	230	20,6	23,6	0,1152	80	280	22,8	25,8	0,1332	90	235	20,8	23,8	0,1170	110	255	21,7	24,7	0,1242	135	280	22,8	25,8	0,1332	225 x	180	235	27,1	30,1	0,1692	BFL	280	-		30	13,1	14,8	0,0552		BFL	-		-	9,8	11,5		0,0246	-			-	10,3			12		0,0287			-	-	10,8		12,5	0,0338		-			5	11,4	13,1		0,0390	-		20	12,1		13,8		0,0451			-			30			12,5				14,2				0,0492				-			37	12,9			14,6	0,0523			-	57	13,8		15,5	0,0605	-		80	14,8	16,5	0,0697	-	105	15,9	18,9	0,0800	-	130	17	20	0,0902	10	155	17,4	20,4	0,0882	15	160	17,6	20,6	0,0900	35	180	18,4	21,4	0,0972	50	195	19,1	22,1	0,1026	60	205	19,5	22,5	0,1062	70	230	20,6	23,6	0,1152	80		280	22,8	25,8	0,1332	90	235		20,8	23,8	0,1170	110	255			21,7	24,7	0,1242	135	280		22,8	25,8	0,1332	225 x	180			235	27,1	30,1	0,1692	BFL		280	-	37	13,4				15,1	0,0587	BFL	-	-			9,8	11,5	0,0246	-				-	10,3				12	0,0287		-				-	10,8	12,5	0,0338				-		5	11,4				13,1	0,0390	-	20	12,1		13,8			0,0451	-	30	12,5	14,2			0,0492		-	37	12,9	14,6	0,0523				-	57	13,8	15,5	0,0605	-	80			14,8	16,5	0,0697	-	105	15,9	18,9		0,0800	-	130	17	20		0,0902	10	155	17,4	20,4		0,0882	15	160	17,6	20,6	0,0900		35	180		18,4	21,4	0,0972	50	195		19,1	22,1	0,1026	60	205	19,5		22,5	0,1062		70	230	20,6	23,6	0,1152		80	280	22,8	25,8	0,1332	90		235	20,8		23,8	0,1170	110	255	21,7		24,7	0,1242	135	280	22,8	25,8		0,1332	225 x		180	235	27,1	30,1	0,1692		BFL	280	-		57	14,4		16,1		0,0679	BFL		-	-			9,8	11,5	0,0246	-		-			10,3		12		0,0287	-	-		10,8		12,5		0,0338	-	5		11,4	13,1	0,0390		-		20		12,1	13,8		0,0451	-	30	12,5		14,2		0,0492		-	37			12,9	14,6	0,0523		-	57			13,8	15,5		0,0605		-	80		14,8	16,5			0,0697	-	105	15,9	18,9		0,0800		-	130	17		20	0,0902	10	155	17,4		20,4	0,0882	15	160	17,6	20,6		0,0900	35	180	18,4	21,4		0,0972	50	195	19,1	22,1	0,1026		60	205	19,5	22,5	0,1062	70	230		20,6	23,6	0,1152	80	280	22,8		25,8	0,1332	90	235	20,8	23,8		0,1170	110	255	21,7	24,7	0,1242			135	280	22,8	25,8	0,1332	225 x		180	235	27,1	30,1	0,1692	BFL			280	-	80	15,4	17,1	0,0782			BFL	-	-	9,8	11,5			0,0246		-		-	10,3		12	0,0287		-					-		10,8	12,5	0,0338	-			5	11,4		13,1	0,0390			-		20		12,1	13,8		0,0451		-	30	12,5	14,2			0,0492	-		37	12,9	14,6		0,0523		-	57	13,8	15,5	0,0605				-	80	14,8	16,5	0,0697	-		105	15,9	18,9		0,0800	-	130	17			20	0,0902	10	155	17,4	20,4	0,0882		15	160	17,6	20,6	0,0900	35	180	18,4	21,4	0,0972		50	195	19,1	22,1	0,1026		60	205	19,5	22,5	0,1062	70	230		20,6	23,6	0,1152		80	280	22,8	25,8	0,1332	90		235	20,8	23,8	0,1170	110	255		21,7		24,7		0,1242	135	280		22,8	25,8		0,1332	225 x	180		235	27,1	30,1		0,1692	BFL		280	-	105	16,6		19,6		0,0897	BFL			-	-	9,8		11,5	0,0246				-	-	10,3	12	0,0287		-			-	10,8		12,5	0,0338		-		5			11,4	13,1	0,0390	-	20				12,1	13,8	0,0451	-	30	12,5		14,2	0,0492	-			37	12,9	14,6	0,0523	-	57			13,8	15,5	0,0605	-	80		14,8		16,5	0,0697		-	105	15,9	18,9	0,0800	-	130			17	20	0,0902	10	155	17,4		20,4		0,0882	15	160	17,6		20,6	0,0900	35	180	18,4			21,4	0,0972	50	195		19,1		22,1	0,1026	60	205		19,5	22,5		0,1062	70	230	20,6	23,6		0,1152	80	280	22,8	25,8			0,1332	90	235	20,8		23,8	0,1170		110	255	21,7		24,7	0,1242		135	280	22,8	25,8	0,1332		225 x	180	235	27,1	30,1		0,1692		BFL	280	-		130	17,8		20,8	0,1012	BFL			-		-	9,8	11,5	0,0246		-		-	10,3	12	0,0287		-				-		10,8	12,5		0,0338	-			5	11,4	13,1		0,0390	-	20		12,1		13,8	0,0451	-	30		12,5		14,2	0,0492	-		37	12,9	14,6		0,0523	-		57	13,8	15,5		0,0605	-	80	14,8		16,5		0,0697	-	105		15,9	18,9	0,0800		-	130		17	20	0,0902	10	155	17,4	20,4	0,0882		15	160	17,6	20,6	0,0900		35	180	18,4	21,4	0,0972	50		195	19,1	22,1	0,1026	60	205	19,5	22,5		0,1062	70	230	20,6	23,6		0,1152	80	280	22,8	25,8	0,1332		90	235	20,8	23,8	0,1170	110	255	21,7		24,7	0,1242	135	280	22,8		25,8	0,1332	225 x	180	235	27,1		30,1	0,1692	BFL	280	-	155	18,9			21,9	0,1127	BFL	-	-			9,8	11,5	0,0246	-			-	10,3		12	0,0287		-	-		10,8	12,5	0,0338	-			5	11,4	13,1	0,0390	-	20		12,1	13,8	0,0451	-	30	12,5	14,2	0,0492		-	37	12,9	14,6	0,0523		-	57	13,8	15,5	0,0605	-		80	14,8	16,5	0,0697	-	105	15,9	18,9	0,0800	-	130	17	20	0,0902	10	155	17,4	20,4	0,0882	15	160	17,6	20,6	0,0900	35	180	18,4	21,4	0,0972	50	195	19,1	22,1	0,1026	60	205	19,5	22,5	0,1062	70	230	20,6	23,6	0,1152	80	280	22,8	25,8	0,1332	90	235	20,8	23,8	0,1170	110	255	21,7	24,7	0,1242	135	280	22																																
	135	280	22	25	0,1184			15	160	16,9	19,9		0,0800	35			180		17,8		20,8	0,0864	50	195			18,4	21,4	0,0912	60		205	18,8	21,8	0,0944		70	230	19,9	22,9	0,1024	80	280	22	25	0,1184	90	235	20,1	23,1	0,1040	110	255	20,9	23,9	0,1104	135	280	22	25	0,1184	225 x	-	-	9,4	11,1	0,0216	BFL	225		-	-	11,3	13	0,0380		BFL		-	-	9,8	11,5	0,0252				-	-	10,3	12	0,0297			-	5	10,9	12,6	0,0396		-	20	11,5	13,2	0,0342	-	30	12		13,7	0,0432	-	37		12,3		14	0,0459		-		57	13,1		14,8			0,0531		-			80		14,1			15,8		0,0612			-		105						15,2	18,2	0,0702	-		130		16,3			19,3	0,0792	10	155		17,4	20,4		0,0882	15	160	17,6	20,6	0,0900					35	180	18,4	21,4	0,0972	50	195	19,1	22,1	0,1026	60	205	19,5	22,5	0,1062	250 x	70	230	20,6	23,6	0,1152	BFL	250		-	5	11,9	13,6	0,0437		BFL		80	280	22,8	25,8	0,1332				90	235	20,8	23,8	0,1170			110	255	21,7	24,7	0,1242		135	280	22,8	25,8	0,1332	15	160	17,6		20,6		0,0900		35	180	18,4	21,4	0,0972	50				195	19,1	22,1	0,1026	60	205	19,5	22,5	0,1062	70				230	20,6	23,6	0,1152	80	280	22,8	25,8	0,1332	90	235	20,8	23,8	0,1170	110	255	21,7	24,7	0,1242	135	280	22,8	25,8	0,1332	280 x	180	235	27,1	30,1	0,1692	BFL	280		-	20	12,6	14,3	0,0506		BFL		-	-	9,8	11,5	0,0246				-	-	10,3	12	0,0287			-	-	10,8	12,5	0,0338		-	5	11,4	13,1	0,0390	-	20	12,1	13,8	0,0451	-	30	12,5	14,2	0,0492	-	37	12,9	14,6	0,0523		-		57	13,8		15,5		0,0605			-		80		14,8																		16,5	0,0697	-	105	15,9	18,9									0,0800	-	130	17	20	0,0902	10	155	17,4	20,4	0,0882	15	160	17,6	20,6	0,0900	35	180	18,4	21,4	0,0972	50	195	19,1	22,1	0,1026	60	205	19,5	22,5	0,1062	70	230	20,6	23,6	0,1152	80	280	22,8	25,8	0,1332	90	235	20,8	23,8	0,1170	110	255	21,7	24,7	0,1242	135	280	22,8	25,8	0,1332	225 x	180	235	27,1	30,1	0,1692	BFL	280		-	30	13,1	14,8	0,0552		BFL	-		-	9,8	11,5	0,0246	-		-		10,3	12	0,0287	-	-	10,8			12,5	0,0338	-		5		11,4			13,1	0,0390	-		20	12,1		13,8			0,0451	-	30		12,5	14,2		0,0492	-		37		12,9			14,6			0,0523			-				57				13,8				15,5			0,0605	-			80	14,8			16,5	0,0697	-		105	15,9	18,9		0,0800	-	130	17	20	0,0902	10	155	17,4	20,4	0,0882	15	160	17,6	20,6	0,0900	35	180	18,4	21,4	0,0972	50	195	19,1	22,1	0,1026	60	205	19,5	22,5	0,1062	70	230	20,6	23,6	0,1152	80	280	22,8	25,8	0,1332	90	235	20,8	23,8	0,1170	110	255	21,7	24,7	0,1242	135	280	22,8	25,8	0,1332	225 x	180		235	27,1	30,1	0,1692	BFL	280		-	37	13,4		15,1			0,0587	BFL	-	-			9,8	11,5	0,0246	-				-	10,3		12	0,0287			-	-	10,8	12,5				0,0338	-				5	11,4		13,1				0,0390	-	20	12,1				13,8		0,0451	-				30	12,5	14,2	0,0492	-		37			12,9	14,6	0,0523	-	57			13,8		15,5	0,0605	-	80	14,8				16,5	0,0697	-	105	15,9	18,9	0,0800			-	130	17	20	0,0902	10	155		17,4	20,4	0,0882	15	160	17,6	20,6	0,0900	35	180	18,4	21,4	0,0972	50	195	19,1	22,1	0,1026	60	205	19,5		22,5	0,1062	70	230	20,6		23,6	0,1152	80	280	22,8	25,8		0,1332	90		235	20,8	23,8	0,1170	110		255	21,7	24,7	0,1242	135	280		22,8	25,8		0,1332	225 x	180	235	27,1		30,1	0,1692	BFL	280	-	57		14,4			16,1	0,0679	BFL	-	-			9,8	11,5		0,0246	-		-		10,3			12	0,0287			-	-	10,8	12,5		0,0338			-		5		11,4	13,1	0,0390		-		20		12,1	13,8	0,0451		-	30	12,5		14,2		0,0492		-	37		12,9	14,6	0,0523	-		57	13,8	15,5		0,0605	-		80	14,8	16,5	0,0697		-	105	15,9		18,9	0,0800		-		130	17		20	0,0902			10	155	17,4	20,4	0,0882		15		160	17,6	20,6		0,0900	35	180	18,4	21,4		0,0972	50	195	19,1	22,1	0,1026		60	205	19,5	22,5	0,1062		70	230	20,6	23,6	0,1152	80		280	22,8	25,8	0,1332	90	235	20,8		23,8	0,1170	110	255	21,7	24,7		0,1242	135	280	22,8	25,8	0,1332		225 x	180	235	27,1	30,1	0,1692			BFL	280	-	80	15,4			17,1	0,0782	BFL	-	-				9,8	11,5	0,0246	-	-	10,3				12	0,0287	-	-			10,8		12,5	0,0338	-	5		11,4	13,1	0,0390	-					20	12,1	13,8	0,0451	-	30			12,5	14,2		0,0492	-			37		12,9		14,6	0,0523		-		57	13,8	15,5	0,0605			-	80		14,8	16,5	0,0697		-		105	15,9	18,9	0,0800	-				130	17	20	0,0902	10	155		17,4	20,4	0,0882		15	160	17,6	20,6			0,0900	35	180	18,4	21,4	0,0972	50		195	19,1	22,1	0,1026	60	205	19,5	22,5	0,1062	70		230	20,6	23,6	0,1152	80		280	22,8	25,8	0,1332	90	235	20,8		23,8	0,1170	110		255	21,7	24,7	0,1242	135	280		22,8	25,8	0,1332	225 x	180	235		27,1	30,1	0,1692		BFL	280	-	105	16,6	19,6		0,0897		BFL	-	-	9,8	11,5		0,0246			-	-	10,3	12		0,0287		-				-	10,8	12,5		0,0338	-				5	11,4	13,1	0,0390	-		20			12,1	13,8		0,0451	-		30		12,5			14,2	0,0492	-	37	12,9				14,6	0,0523	-	57	13,8	15,5		0,0605	-	80			14,8	16,5	0,0697	-	105	15,9			18,9	0,0800	-	130	17		20		0,0902	10		155	17,4	20,4	0,0882	15	160	17,6			20,6	0,0900	35	180	18,4	21,4		0,0972		50	195	19,1	22,1		0,1026	60	205	19,5	22,5	0,1062		70	230	20,6	23,6	0,1152	80		280	22,8	25,8	0,1332	90	235	20,8		23,8	0,1170	110	255	21,7		24,7	0,1242	135	280	22,8			25,8	0,1332	225 x	180		235	27,1		30,1	0,1692	BFL		280	-		130	17,8	20,8	0,1012	BFL			-	-	9,8	11,5		0,0246			-	-		10,3	12		0,0287	-				-		10,8	12,5	0,0338	-		5		11,4	13,1	0,0390	-		20				12,1		13,8	0,0451		-	30			12,5	14,2	0,0492		-	37	12,9		14,6		0,0523	-	57	13,8		15,5		0,0605	-	80		14,8	16,5	0,0697		-	105		15,9	18,9	0,0800		-	130	17	20		0,0902		10	155	17,4		20,4	0,0882	15		160	17,6		20,6	0,0900	35	180	18,4	21,4	0,0972	50		195	19,1	22,1	0,1026	60		205	19,5	22,5	0,1062	70	230		20,6	23,6	0,1152	80	280	22,8	25,8	0,1332		90	235	20,8	23,8	0,1170		110	255	21,7	24,7	0,1242	135		280	22,8	25,8	0,1332	225 x	180	235	27,1		30,1	0,1692	BFL	280	-		155	18,9		21,9	0,1127	BFL		-	-		9,8	11,5	0,0246	-			-	10,3		12	0,0287			-	-	10,8	12,5			0,0338	-		5	11,4		13,1	0,0390		-	20	12,1	13,8			0,0451	-	30	12,5	14,2	0,0492		-	37	12,9	14,6	0,0523	-	57	13,8		15,5	0,0605	-	80	14,8		16,5	0,0697	-	105	15,9	18,9		0,0800	-	130	17	20	0,0902	10	155	17,4	20,4	0,0882	15	160	17,6	20,6	0,0900	35	180	18,4	21,4	0,0972	50	195	19,1	22,1	0,1026	60	205	19,5	22,5	0,1062	70	230	20,6	23,6	0,1152	80	280	22,8	25,8	0,1332	90	235	20,8	23,8	0,1170	110	255	21,7	24,7	0,1242	135	280	22																																								
	15	160	16,9	19,9	0,0800			35	180	17,8	20,8		0,0864	50			195	18,4	21,4		0,0912	60	205	18,8	21,8		0,0944	70	230	19,9		22,9	0,1024	80	280	22	25	0,1184	90	235	20,1	23,1	0,1040	110	255	20,9	23,9	0,1104	135	280	22	25	0,1184	225 x	-	-	9,4	11,1	0,0216	BFL	225		-	-	11,3	13	0,0380		BFL		-	-	9,8	11,5	0,0252				-	-	10,3	12	0,0297				-	5	10,9	12,6	0,0396			-	20	11,5	13,2	0,0342		-	30	12	13,7	0,0432	-	37	12,3		14	0,0459	-	57		13,1		14,8	0,0531		-		80	14,1		15,8			0,0612		-			105		15,2			18,2		0,0702			-		130					16,3	19,3	0,0792	10	155		17,4		20,4		0,0882	15	160	17,6	20,6		0,0900	35		180	18,4	21,4	0,0972	50	195	19,1				22,1	0,1026	60	205	19,5	22,5	0,1062	250 x	70	230	20,6	23,6	0,1152	BFL	250		-	5	11,9	13,6	0,0437		BFL		80	280	22,8	25,8	0,1332				90	235	20,8	23,8	0,1170				110	255	21,7	24,7	0,1242			135	280	22,8	25,8	0,1332		15	160	17,6	20,6	0,0900	35	180	18,4		21,4		0,0972	50	195	19,1	22,1	0,1026	60	205			19,5	22,5	0,1062	70	230	20,6	23,6	0,1152	80	280	22,8			25,8	0,1332	90	235	20,8	23,8	0,1170	110	255	21,7	24,7	0,1242	135	280	22,8	25,8	0,1332	280 x	180	235	27,1	30,1	0,1692	BFL	280		-	20	12,6	14,3	0,0506		BFL		-	-	9,8	11,5	0,0246				-	-	10,3	12	0,0287				-	-	10,8	12,5	0,0338			-	5	11,4	13,1	0,0390		-	20	12,1	13,8	0,0451	-	30	12,5	14,2	0,0492	-	37	12,9	14,6	0,0523	-	57	13,8	15,5	0,0605		-	80	14,8	16,5		0,0697		-		105	15,9		18,9		0,0800			-															130	17	20	0,0902	10	155									17,4	20,4	0,0882	15	160	17,6	20,6	0,0900	35	180	18,4	21,4	0,0972	50	195	19,1	22,1	0,1026	60	205	19,5	22,5	0,1062	70	230	20,6	23,6	0,1152	80	280	22,8	25,8	0,1332	90	235	20,8	23,8	0,1170	110	255	21,7	24,7	0,1242	135	280	22,8	25,8	0,1332	225 x	180	235	27,1	30,1	0,1692	BFL	280		-	30	13,1	14,8	0,0552		BFL		-	-	9,8	11,5	0,0246			-		-	10,3	12	0,0287	-		-		10,8	12,5	0,0338	-	5	11,4	13,1		0,0390	-	20		12,1	13,8	0,0451			-	30	12,5	14,2	0,0492	-		37			12,9	14,6	0,0523		-	57		13,8	15,5		0,0605		-			80			14,8			16,5				0,0697				-				105			15,9	18,9			0,0800	-			130	17	20		0,0902	10	155		17,4	20,4	0,0882	15	160	17,6	20,6	0,0900	35	180	18,4	21,4	0,0972	50	195	19,1	22,1	0,1026	60	205	19,5	22,5	0,1062	70	230	20,6	23,6	0,1152	80	280	22,8	25,8	0,1332	90	235	20,8	23,8	0,1170	110	255	21,7	24,7	0,1242	135	280	22,8	25,8	0,1332	225 x	180	235	27,1	30,1	0,1692	BFL	280		-	37	13,4	15,1	0,0587	BFL		-	-	9,8	11,5	0,0246		-		-	10,3		12	0,0287			-	-	10,8	12,5				0,0338	-		5	11,4			13,1	0,0390	-	20				12,1	13,8				0,0451	-		30				12,5	14,2	0,0492	-				37		12,9	14,6				0,0523	-	57	13,8	15,5		0,0605			-	80	14,8	16,5	0,0697			-		105	15,9	18,9	0,0800	-				130	17	20	0,0902	10	155	17,4			20,4	0,0882	15	160	17,6	20,6	0,0900		35	180	18,4	21,4	0,0972	50	195	19,1	22,1	0,1026	60	205	19,5	22,5	0,1062	70	230	20,6	23,6	0,1152	80	280	22,8	25,8	0,1332	90	235	20,8	23,8	0,1170	110	255	21,7	24,7	0,1242	135	280		22,8	25,8	0,1332	225 x	180		235	27,1	30,1	0,1692	BFL	280		-	57		14,4		16,1	0,0679	BFL		-	-		9,8	11,5	0,0246		-			-	10,3		12	0,0287			-	-		10,8	12,5		0,0338		-			5	11,4			13,1	0,0390	-	20		12,1			13,8		0,0451		-	30	12,5		14,2		0,0492		-	37	12,9		14,6	0,0523	-		57		13,8		15,5	0,0605		-	80	14,8	16,5		0,0697	-	105		15,9	18,9		0,0800	-	130	17		20	0,0902	10		155	17,4		20,4	0,0882	15	160		17,6	20,6	0,0900		35	180	18,4	21,4	0,0972	50	195		19,1	22,1	0,1026		60	205	19,5	22,5	0,1062		70	230	20,6	23,6	0,1152	80		280	22,8	25,8	0,1332	90		235	20,8	23,8	0,1170	110	255		21,7	24,7	0,1242	135	280	22,8	25,8		0,1332	225 x	180	235	27,1	30,1		0,1692	BFL	280	-	80	15,4			17,1	0,0782	BFL	-	-				9,8	11,5	0,0246	-			-	10,3		12	0,0287				-	-	10,8	12,5	0,0338	-				5	11,4	13,1	0,0390			-		20	12,1	13,8	0,0451		-	30	12,5	14,2					0,0492	-	37	12,9	14,6	0,0523			-	57	13,8	15,5	0,0605			-	80	14,8		16,5	0,0697		-	105	15,9	18,9	0,0800	-			130	17		20	0,0902	10		155		17,4	20,4	0,0882	15	160				17,6	20,6	0,0900	35	180	18,4		21,4	0,0972	50		195	19,1	22,1	0,1026			60	205	19,5	22,5	0,1062	70	230		20,6	23,6	0,1152	80	280	22,8	25,8	0,1332	90	235		20,8	23,8	0,1170	110	255		21,7	24,7	0,1242	135	280	22,8	25,8		0,1332	225 x	180		235	27,1	30,1	0,1692	BFL	280		-	105	16,6		19,6	0,0897		BFL	-	-			9,8	11,5	0,0246	-	-		10,3			12	0,0287	-	-		10,8			12,5	0,0338	-	5	11,4	13,1		0,0390			-	20	12,1	13,8		0,0451	-	30			12,5	14,2	0,0492	-	37		12,9			14,6	0,0523		-	57		13,8		15,5			0,0605	-	80	14,8	16,5				0,0697	-	105	15,9	18,9	0,0800		-	130	17			20	0,0902	10	155	17,4	20,4			0,0882	15	160	17,6	20,6		0,0900		35	180		18,4	21,4	0,0972	50	195	19,1	22,1			0,1026	60	205	19,5	22,5	0,1062		70		230	20,6	23,6	0,1152		80	280	22,8	25,8	0,1332	90		235	20,8	23,8	0,1170	110	255		21,7	24,7	0,1242	135	280	22,8	25,8		0,1332	225 x	180	235	27,1		30,1	0,1692	BFL	280	-	130		17,8	20,8		0,1012	BFL	-	-		9,8	11,5		0,0246	-	-		10,3	12	0,0287	-				-	10,8	12,5	0,0338		-			5	11,4		13,1	0,0390		-	20				12,1		13,8	0,0451	-	30		12,5		14,2	0,0492	-	37		12,9				14,6		0,0523	-		57	13,8			15,5	0,0605	-		80	14,8	16,5		0,0697		-	105	15,9	18,9		0,0800		-	130	17		20	0,0902	10		155	17,4		20,4	0,0882	15		160	17,6	20,6	0,0900		35		180	18,4	21,4		0,0972	50	195		19,1	22,1		0,1026	60	205	19,5	22,5	0,1062	70	230		20,6	23,6	0,1152	80	280		22,8	25,8	0,1332	90	235	20,8		23,8	0,1170	110	255	21,7	24,7	0,1242	135		280	22,8	25,8	0,1332	225 x		180	235	27,1	30,1	0,1692	BFL		280	-	155	18,9		21,9	0,1127	BFL		-	-		9,8	11,5		0,0246	-		-	10,3			12	0,0287		-	-	10,8	12,5			0,0338	-		5	11,4			13,1	0,0390	-	20			12,1	13,8		0,0451	-		30	12,5		14,2	0,0492	-	37			12,9	14,6	0,0523	-	57	13,8		15,5	0,0605	-	80	14,8	16,5	0,0697	-		105	15,9	18,9	0,0800	-		130	17	20	0,0902	10	155		17,4	20,4	0,0882	15	160	17,6	20,6	0,0900	35	180	18,4	21,4	0,0972	50	195	19,1	22,1	0,1026	60	205	19,5	22,5	0,1062	70	230	20,6	23,6	0,1152	80	280	22,8	25,8	0,1332	90	235	20,8	23,8	0,1170	110	255	21,7	24,7	0,1242	135	280	22																																																
	35	180	17,8	20,8	0,0864			50	195	18,4	21,4	0,0912	60	205			18,8	21,8	0,0944	70	230	19,9	22,9	0,1024	80		280	22	25	0,1184	90	235	20,1	23,1	0,1040	110	255	20,9	23,9	0,1104	135	280	22	25	0,1184	225 x	-	-	9,4	11,1	0,0216	BFL	225		-	-	11,3	13	0,0380		BFL		-	-	9,8	11,5	0,0252				-	-	10,3	12	0,0297				-	5	10,9	12,6	0,0396				-	20	11,5	13,2	0,0342			-	30	12	13,7	0,0432		-	37	12,3	14	0,0459	-	57	13,1		14,8	0,0531	-	80		14,1		15,8	0,0612		-		105	15,2		18,2			0,0702		-			130		16,3			19,3		0,0792			10		155			17,4		20,4	0,0882	15	160	17,6		20,6		0,0900	35	180	18,4	21,4	0,0972	50		195	19,1		22,1	0,1026	60	205	19,5	22,5	0,1062	250 x			70	230	20,6	23,6	0,1152	BFL	250		-	5	11,9	13,6	0,0437		BFL		80	280	22,8	25,8	0,1332				90	235	20,8	23,8	0,1170				110	255	21,7	24,7	0,1242				135	280	22,8	25,8	0,1332			15	160	17,6	20,6	0,0900		35	180	18,4	21,4	0,0972	50	195	19,1		22,1	0,1026	60	205	19,5	22,5	0,1062	70	230	20,6		23,6	0,1152	80	280	22,8	25,8	0,1332	90	235	20,8	23,8	0,1170	110		255	21,7	24,7	0,1242	135	280	22,8	25,8	0,1332	280 x	180	235	27,1	30,1	0,1692	BFL	280		-	20	12,6	14,3	0,0506		BFL		-	-	9,8	11,5	0,0246				-	-	10,3	12	0,0287				-	-	10,8	12,5	0,0338				-	5	11,4	13,1	0,0390			-	20	12,1	13,8	0,0451		-	30	12,5	14,2	0,0492	-	37	12,9	14,6	0,0523	-	57	13,8	15,5	0,0605	-	80	14,8	16,5	0,0697		-	105	15,9	18,9		0,0800		-	130	17	20		0,0902		10		155	17,4							20,4								0,0882	15	160	17,6	20,6	0,0900									35	180	18,4	21,4	0,0972	50	195	19,1	22,1	0,1026	60	205	19,5	22,5	0,1062	70	230	20,6	23,6	0,1152	80	280	22,8	25,8	0,1332	90	235	20,8	23,8	0,1170	110	255	21,7	24,7	0,1242	135	280	22,8	25,8	0,1332	225 x	180	235	27,1	30,1	0,1692	BFL	280		-	30	13,1	14,8	0,0552		BFL		-	-	9,8	11,5	0,0246				-	-	10,3	12	0,0287			-		-	10,8	12,5	0,0338	-		5		11,4	13,1	0,0390	-	20	12,1	13,8		0,0451	-	30		12,5	14,2	0,0492		-	37	12,9	14,6	0,0523	-	57	13,8	15,5			0,0605	-	80	14,8	16,5	0,0697		-	105		15,9		18,9			0,0800			-			130				17				20				0,0902			10	155			17,4	20,4			0,0882	15	160		17,6	20,6	0,0900		35	180	18,4	21,4	0,0972	50	195	19,1	22,1	0,1026	60	205	19,5	22,5	0,1062	70	230	20,6	23,6	0,1152	80	280	22,8	25,8	0,1332	90	235	20,8	23,8	0,1170	110	255	21,7	24,7	0,1242	135	280	22,8	25,8	0,1332	225 x	180	235	27,1	30,1	0,1692	BFL	280		-	37	13,4	15,1	0,0587		BFL		-	-	9,8	11,5	0,0246			-	-	10,3	12	0,0287		-	-	10,8	12,5		0,0338	-		5	11,4	13,1	0,0390	-			20	12,1	13,8		0,0451	-			30	12,5	14,2	0,0492				-	37				12,9	14,6		0,0523				-	57	13,8	15,5				0,0605		-	80				14,8	16,5	0,0697	-	105		15,9			18,9	0,0800	-	130	17			20		0,0902	10	155	17,4	20,4				0,0882	15	160	17,6	20,6	0,0900	35			180	18,4	21,4	0,0972	50	195	19,1		22,1	0,1026	60	205	19,5	22,5	0,1062	70	230	20,6	23,6	0,1152	80	280	22,8	25,8	0,1332	90	235	20,8	23,8	0,1170	110	255	21,7	24,7	0,1242	135	280	22,8	25,8	0,1332	225 x	180	235	27,1	30,1	0,1692	BFL	280	-		57	14,4	16,1	0,0679	BFL	-		-	9,8	11,5	0,0246		-		-	10,3			12	0,0287		-	-	10,8		12,5			0,0338	-		5	11,4			13,1	0,0390		-	20		12,1		13,8			0,0451	-			30	12,5	14,2	0,0492		-			37		12,9		14,6	0,0523	-		57		13,8		15,5	0,0605	-		80	14,8	16,5		0,0697		-		105	15,9		18,9	0,0800	-	130		17	20	0,0902		10	155		17,4	20,4	0,0882	15		160	17,6	20,6		0,0900	35		180	18,4	21,4	0,0972		50	195	19,1		22,1	0,1026	60	205	19,5	22,5	0,1062		70	230	20,6	23,6	0,1152	80	280	22,8	25,8	0,1332	90	235	20,8	23,8	0,1170	110	255	21,7	24,7	0,1242	135	280		22,8	25,8	0,1332	225 x	180	235		27,1	30,1	0,1692	BFL	280	-	80		15,4		17,1	0,0782	BFL	-		-		9,8	11,5	0,0246	-			-	10,3		12	0,0287				-	-	10,8	12,5			0,0338	-		5	11,4				13,1	0,0390	-	20	12,1	13,8				0,0451	-	30	12,5			14,2		0,0492	-	37	12,9		14,6	0,0523	-	57					13,8	15,5	0,0605	-	80	14,8			16,5	0,0697	-	105	15,9			18,9	0,0800	-		130	17		20	0,0902	10	155	17,4	20,4			0,0882	15	160	17,6	20,6	0,0900		35	180	18,4	21,4	0,0972	50	195			19,1	22,1	0,1026	60	205	19,5	22,5		0,1062	70	230		20,6	23,6	0,1152	80			280	22,8	25,8	0,1332	90	235	20,8		23,8	0,1170	110	255	21,7	24,7	0,1242	135	280	22,8		25,8	0,1332	225 x	180	235		27,1	30,1	0,1692	BFL	280	-	105		16,6		19,6		0,0897	BFL	-	-		9,8		11,5	0,0246	-		-	10,3			12	0,0287			-	-	10,8	12,5	0,0338		-			5	11,4	13,1	0,0390		-			20	12,1	13,8	0,0451	-	30		12,5			14,2	0,0492	-	37		12,9	14,6	0,0523			-	57	13,8	15,5	0,0605		-			80	14,8	16,5	0,0697	-		105		15,9	18,9		0,0800	-	130	17	20	0,0902			10	155	17,4	20,4	0,0882	15		160	17,6	20,6			0,0900	35	180	18,4	21,4	0,0972			50	195	19,1	22,1	0,1026		60		205	19,5		22,5	0,1062	70	230	20,6	23,6	0,1152			80	280	22,8	25,8	0,1332	90		235		20,8	23,8	0,1170	110		255	21,7	24,7	0,1242	135	280		22,8	25,8	0,1332	225 x	180	235		27,1	30,1	0,1692	BFL	280	-	130		17,8		20,8	0,1012	BFL		-	-		9,8	11,5	0,0246		-	-		10,3		12	0,0287		-	-		10,8	12,5	0,0338		-	5	11,4	13,1				0,0390	-	20	12,1	13,8	0,0451			-	30	12,5	14,2	0,0492		-	37		12,9		14,6		0,0523	-	57	13,8		15,5		0,0605	-	80	14,8		16,5				0,0697		-	105		15,9	18,9			0,0800	-	130		17	20	0,0902		10		155	17,4	20,4	0,0882		15		160	17,6	20,6		0,0900	35	180		18,4	21,4		0,0972	50	195		19,1	22,1	0,1026	60		205		19,5	22,5	0,1062		70	230	20,6		23,6	0,1152		80	280	22,8	25,8	0,1332	90	235	20,8		23,8	0,1170	110	255	21,7		24,7	0,1242	135	280	22,8	25,8		0,1332	225 x	180	235	27,1	30,1	0,1692	BFL		280	-	155	18,9			21,9	0,1127	BFL	-	-			9,8	11,5	0,0246	-		-	10,3			12	0,0287		-	-		10,8	12,5		0,0338	-			5	11,4		13,1	0,0390	-	20			12,1	13,8		0,0451	-			30	12,5	14,2	0,0492			-	37		12,9	14,6		0,0523	-		57	13,8	15,5	0,0605			-	80	14,8	16,5	0,0697	-		105	15,9	18,9	0,0800	-	130	17	20		0,0902	10	155	17,4	20,4		0,0882	15	160	17,6	20,6	0,0900		35	180	18,4	21,4	0,0972	50	195	19,1	22,1	0,1026	60	205	19,5	22,5	0,1062	70	230	20,6	23,6	0,1152	80	280	22,8	25,8	0,1332	90	235	20,8	23,8	0,1170	110	255	21,7	24,7	0,1242	135	280	22																																																								
	50	195	18,4	21,4	0,0912		60	205	18,8	21,8	0,0944	70	230	19,9	22,9		0,1024	80	280	22	25	0,1184	90	235	20,1	23,1	0,1040	110	255	20,9	23,9	0,1104	135	280	22	25	0,1184	225 x	-	-	9,4	11,1	0,0216	BFL	225		-	-	11,3	13	0,0380		BFL		-	-	9,8	11,5	0,0252				-	-	10,3	12	0,0297				-	5	10,9	12,6	0,0396				-	20	11,5	13,2	0,0342				-	30	12	13,7	0,0432			-	37	12,3	14	0,0459		-	57	13,1	14,8	0,0531	-	80	14,1		15,8	0,0612	-	105		15,2		18,2	0,0702		-		130	16,3		19,3			0,0792		10			155		17,4			20,4		0,0882			15		160	17,6		20,6		0,0900	35	180	18,4	21,4		0,0972	50	195	19,1	22,1	0,1026	60	205	19,5		22,5	0,1062		250 x	70	230	20,6	23,6	0,1152	BFL		250		-	5	11,9	13,6	0,0437		BFL		80	280	22,8	25,8	0,1332				90	235	20,8	23,8	0,1170				110	255	21,7	24,7	0,1242				135	280	22,8	25,8	0,1332				15	160	17,6	20,6	0,0900			35	180	18,4	21,4	0,0972		50	195	19,1	22,1	0,1026	60	205	19,5	22,5	0,1062	70	230	20,6	23,6	0,1152	80	280	22,8	25,8	0,1332	90	235	20,8	23,8	0,1170	110	255	21,7	24,7	0,1242	135	280	22,8	25,8	0,1332	280 x	180	235	27,1	30,1	0,1692	BFL	280		-	20	12,6	14,3	0,0506		BFL		-	-	9,8	11,5	0,0246				-	-	10,3	12	0,0287				-	-	10,8	12,5	0,0338				-	5	11,4	13,1	0,0390				-	20	12,1	13,8	0,0451			-	30	12,5	14,2	0,0492		-	37	12,9	14,6	0,0523	-	57	13,8	15,5	0,0605	-	80	14,8	16,5	0,0697	-	105	15,9	18,9	0,0800		-	130	17	20		0,0902		10	155	17,4	20,4		0,0882		15	160	17,6	20,6						0,0900	35							180	18,4	21,4	0,0972	50	195	19,1									22,1	0,1026	60	205	19,5	22,5	0,1062	70	230	20,6	23,6	0,1152	80	280	22,8	25,8	0,1332	90	235	20,8	23,8	0,1170	110	255	21,7	24,7	0,1242	135	280	22,8	25,8	0,1332	225 x	180	235	27,1	30,1	0,1692	BFL	280		-	30	13,1	14,8	0,0552		BFL		-	-	9,8	11,5	0,0246				-	-	10,3	12	0,0287				-	-	10,8	12,5	0,0338			-		5	11,4	13,1	0,0390	-		20		12,1	13,8	0,0451	-	30	12,5	14,2		0,0492	-	37		12,9	14,6	0,0523		-	57	13,8	15,5	0,0605	-	80	14,8	16,5		0,0697	-	105	15,9	18,9	0,0800	-	130	17	20		0,0902		10	155		17,4			20,4			0,0882				15				160				17,6			20,6	0,0900			35	180			18,4	21,4	0,0972		50	195	19,1		22,1	0,1026	60	205	19,5	22,5	0,1062	70	230	20,6	23,6	0,1152	80	280	22,8	25,8	0,1332	90	235	20,8	23,8	0,1170	110	255	21,7	24,7	0,1242	135	280	22,8	25,8	0,1332	225 x	180	235	27,1	30,1	0,1692	BFL	280		-	37	13,4	15,1	0,0587		BFL		-	-	9,8	11,5	0,0246				-	-	10,3	12	0,0287			-	-	10,8	12,5	0,0338		-	5	11,4	13,1		0,0390	-		20	12,1	13,8	0,0451	-		30	12,5	14,2	0,0492		-	37	12,9		14,6	0,0523	-	57		13,8		15,5	0,0605				-	80		14,8				16,5	0,0697	-	105				15,9		18,9	0,0800				-	130	17	20	0,0902		10			155	17,4	20,4	0,0882	15			160		17,6	20,6	0,0900	35	180				18,4	21,4	0,0972	50	195	19,1	22,1			0,1026	60	205	19,5	22,5	0,1062	70		230	20,6	23,6	0,1152	80	280	22,8	25,8	0,1332	90	235	20,8	23,8	0,1170	110	255	21,7	24,7	0,1242	135	280	22,8	25,8	0,1332	225 x	180	235	27,1	30,1	0,1692	BFL	280		-	57	14,4	16,1	0,0679		BFL	-		-	9,8	11,5	0,0246		-		-	10,3	12	0,0287	-	-		10,8	12,5		0,0338	-	5		11,4	13,1	0,0390	-	20			12,1	13,8		0,0451	-			30	12,5		14,2	0,0492		-		37			12,9	14,6			0,0523	-	57	13,8		15,5			0,0605		-		80	14,8	16,5		0,0697		-		105	15,9	18,9		0,0800	-	130		17		20		0,0902	10		155	17,4	20,4	0,0882		15	160	17,6		20,6	0,0900		35	180	18,4	21,4		0,0972	50	195		19,1	22,1		0,1026	60	205	19,5		22,5	0,1062	70		230	20,6	23,6	0,1152	80	280	22,8		25,8	0,1332	90	235	20,8	23,8	0,1170	110	255	21,7	24,7	0,1242	135	280	22,8	25,8	0,1332	225 x	180	235	27,1	30,1	0,1692	BFL	280	-		80	15,4	17,1	0,0782	BFL	-		-	9,8	11,5	0,0246	-		-	10,3		12		0,0287		-	-	10,8	12,5			0,0338	-		5	11,4				13,1	0,0390	-	20			12,1	13,8		0,0451	-				30	12,5	14,2	0,0492	-	37				12,9	14,6	0,0523	-			57		13,8	15,5	0,0605	-		80	14,8	16,5	0,0697					-	105	15,9	18,9	0,0800	-			130	17	20	0,0902	10			155	17,4	20,4		0,0882	15		160	17,6	20,6	0,0900	35	180			18,4	21,4	0,0972	50	195	19,1		22,1	0,1026	60	205	19,5	22,5	0,1062			70	230	20,6	23,6	0,1152	80	280		22,8	25,8	0,1332	90	235	20,8	23,8	0,1170		110	255	21,7	24,7	0,1242	135	280	22,8	25,8	0,1332	225 x	180	235	27,1	30,1	0,1692	BFL	280	-		105	16,6		19,6	0,0897		BFL	-	-		9,8	11,5	0,0246		-		-		10,3		12	0,0287		-		-	10,8	12,5		0,0338	-			5	11,4			13,1	0,0390	-	20	12,1		13,8			0,0451	-	30	12,5		14,2			0,0492	-	37	12,9	14,6	0,0523		-			57	13,8	15,5	0,0605		-	80	14,8			16,5	0,0697	-	105	15,9		18,9			0,0800	-	130	17	20		0,0902		10	155		17,4	20,4	0,0882	15	160	17,6			20,6	0,0900	35	180	18,4	21,4		0,0972	50	195		19,1	22,1	0,1026	60	205	19,5	22,5	0,1062		70	230	20,6	23,6	0,1152	80	280		22,8	25,8		0,1332	90	235	20,8	23,8	0,1170	110			255	21,7	24,7	0,1242	135	280		22,8		25,8	0,1332	225 x	180		235	27,1	30,1	0,1692	BFL	280		-	130	17,8		20,8	0,1012		BFL	-	-		9,8	11,5	0,0246		-		-	10,3			12	0,0287		-	-	10,8		12,5	0,0338		-		5	11,4		13,1	0,0390		-	20	12,1		13,8	0,0451	-	30				12,5	14,2	0,0492	-	37	12,9			14,6	0,0523	-	57	13,8		15,5	0,0605		-		80		14,8	16,5	0,0697	-		105		15,9	18,9	0,0800	-	130	17				20	0,0902	10	155		17,4	20,4		0,0882	15	160	17,6		20,6	0,0900	35		180		18,4	21,4	0,0972	50		195		19,1	22,1	0,1026		60	205	19,5		22,5	0,1062		70	230	20,6		23,6	0,1152	80	280		22,8		25,8	0,1332	90		235	20,8	23,8		0,1170	110		255	21,7	24,7	0,1242	135	280	22,8	25,8		0,1332	225 x	180	235	27,1		30,1	0,1692	BFL	280	-	155		18,9		21,9	0,1127	BFL	-	-			9,8	11,5	0,0246	-			-	10,3		12	0,0287			-	-	10,8	12,5		0,0338	-			5	11,4		13,1	0,0390		-	20		12,1	13,8			0,0451	-		30	12,5	14,2	0,0492			-	37		12,9	14,6			0,0523	-	57	13,8			15,5	0,0605		-	80		14,8	16,5		0,0697	-	105	15,9			18,9	0,0800	-	130	17	20		0,0902	10	155	17,4	20,4	0,0882	15	160		17,6	20,6	0,0900	35	180		18,4	21,4	0,0972	50	195	19,1		22,1	0,1026	60	205	19,5	22,5	0,1062	70	230	20,6	23,6	0,1152	80	280	22,8	25,8	0,1332	90	235	20,8	23,8	0,1170	110	255	21,7	24,7	0,1242	135	280	22																																																																
60	205	18,8	21,8	0,0944	70	230	19,9	22,9	0,1024	80	280	22	25	0,1184	90	235	20,1	23,1	0,1040	110	255	20,9	23,9	0,1104	135	280	22	25	0,1184	225 x	-	-	9,4	11,1	0,0216	BFL	225		-	-	11,3	13	0,0380		BFL		-	-	9,8	11,5	0,0252				-	-	10,3	12	0,0297				-	5	10,9	12,6	0,0396				-	20	11,5	13,2	0,0342				-	30	12	13,7	0,0432				-	37	12,3	14	0,0459			-	57	13,1	14,8	0,0531		-	80	14,1	15,8	0,0612	-	105	15,2		18,2	0,0702	-	130		16,3		19,3	0,0792		10		155	17,4		20,4			0,0882		15			160		17,6			20,6		0,0900			35	180	18,4	21,4		0,0972		50	195	19,1	22,1	0,1026	60	205	19,5	22,5	0,1062	250 x	70	230	20,6	23,6		0,1152	BFL			250	-	5	11,9	13,6			0,0437	BFL	80	280	22,8	25,8	0,1332				90	235	20,8	23,8	0,1170				110	255	21,7	24,7	0,1242				135	280	22,8	25,8	0,1332				15	160	17,6	20,6	0,0900				35	180	18,4	21,4	0,0972			50	195	19,1	22,1	0,1026		60	205	19,5	22,5	0,1062	70	230	20,6	23,6	0,1152	80	280	22,8	25,8	0,1332	90	235	20,8	23,8	0,1170	110	255	21,7	24,7	0,1242	135	280	22,8	25,8	0,1332	280 x	180	235	27,1	30,1		0,1692	BFL	280	-	20		12,6		14,3	0,0506	BFL	-	-				9,8	11,5	0,0246	-	-				10,3	12	0,0287	-	-				10,8	12,5	0,0338	-	5				11,4	13,1	0,0390	-	20				12,1	13,8	0,0451	-	30			12,5	14,2	0,0492	-	37		12,9	14,6	0,0523	-	57	13,8	15,5	0,0605	-	80	14,8	16,5	0,0697	-	105	15,9	18,9	0,0800	-	130		17	20	0,0902	10		155		17,4	20,4	0,0882	15		160		17,6	20,6	0,0900	35					180	18,4	21,4						0,0972	50	195	19,1	22,1	0,1026	60	205	19,5								22,5	0,1062	70	230	20,6	23,6	0,1152	80	280	22,8	25,8	0,1332	90	235	20,8	23,8	0,1170	110	255	21,7	24,7	0,1242	135	280	22,8	25,8	0,1332	225 x	180	235	27,1	30,1		0,1692	BFL	280	-	30		13,1		14,8	0,0552	BFL	-	-				9,8	11,5	0,0246	-	-				10,3	12	0,0287	-	-				10,8	12,5	0,0338	-	5			11,4		13,1	0,0390	-	20	12,1		13,8		0,0451	-	30	12,5	14,2	0,0492	-		37	12,9	14,6		0,0523	-	57		13,8	15,5	0,0605	-	80	14,8	16,5	0,0697	-		105	15,9	18,9	0,0800	-	130	17	20	0,0902	10	155	17,4		20,4	0,0882		15	160		17,6			20,6		0,0900		35				180				18,4			21,4	0,0972			50	195			19,1	22,1	0,1026		60	205	19,5		22,5	0,1062	70	230	20,6	23,6	0,1152	80	280	22,8	25,8	0,1332	90	235	20,8	23,8	0,1170	110	255	21,7	24,7	0,1242	135	280	22,8	25,8	0,1332	225 x	180	235	27,1	30,1		0,1692	BFL	280	-	37		13,4		15,1	0,0587	BFL	-	-				9,8	11,5	0,0246	-	-				10,3	12	0,0287	-	-			10,8	12,5	0,0338	-	5		11,4	13,1	0,0390	-		20	12,1		13,8	0,0451	-	30	12,5		14,2	0,0492	-	37		12,9	14,6	0,0523		-	57	13,8	15,5	0,0605	-		80	14,8			16,5	0,0697	-		105			15,9	18,9	0,0800	-	130				17		20	0,0902				10	155	17,4	20,4	0,0882		15			160	17,6	20,6	0,0900	35			180		18,4	21,4	0,0972	50	195				19,1	22,1	0,1026	60	205	19,5	22,5			0,1062	70	230	20,6	23,6	0,1152	80		280	22,8	25,8	0,1332	90	235	20,8	23,8	0,1170	110	255	21,7	24,7	0,1242	135	280	22,8	25,8	0,1332	225 x	180	235	27,1	30,1		0,1692	BFL	280	-	57		14,4		16,1	0,0679	BFL	-	-			9,8		11,5	0,0246	-	-		10,3		12	0,0287	-	-	10,8	12,5		0,0338	-		5	11,4	13,1		0,0390	-	20	12,1	13,8		0,0451	-	30		12,5	14,2	0,0492		-	37		12,9	14,6		0,0523	-	57			13,8	15,5			0,0605	-	80	14,8		16,5			0,0697		-		105	15,9	18,9		0,0800		-		130	17	20		0,0902	10	155		17,4		20,4		0,0882	15		160	17,6	20,6	0,0900		35	180	18,4		21,4	0,0972		50	195	19,1	22,1		0,1026	60	205		19,5	22,5		0,1062	70	230	20,6		23,6	0,1152	80		280	22,8	25,8	0,1332	90	235	20,8		23,8	0,1170	110	255	21,7	24,7	0,1242	135	280	22,8	25,8	0,1332	225 x	180	235	27,1	30,1		0,1692	BFL	280	-	80		15,4	17,1		0,0782	BFL	-	-		9,8		11,5	0,0246	-	-	10,3		12	0,0287		-	-	10,8		12,5	0,0338	-	5	11,4		13,1	0,0390		-	20		12,1		13,8	0,0451	-	30			12,5	14,2		0,0492	-				37	12,9	14,6	0,0523	-	57				13,8	15,5	0,0605	-			80		14,8	16,5	0,0697	-		105	15,9	18,9	0,0800					-	130	17	20	0,0902	10			155	17,4	20,4	0,0882	15			160	17,6	20,6		0,0900	35		180	18,4	21,4	0,0972	50	195			19,1	22,1	0,1026	60	205	19,5		22,5	0,1062	70	230	20,6	23,6	0,1152			80	280	22,8	25,8	0,1332	90	235		20,8	23,8	0,1170	110	255	21,7	24,7	0,1242		135	280	22,8	25,8	0,1332	225 x	180	235	27,1	30,1		0,1692	BFL	280	-	105		16,6	19,6	0,0897	BFL	-		-	9,8	11,5		0,0246	-		-	10,3	12	0,0287	-		-		10,8		12,5	0,0338		-		5	11,4	13,1		0,0390	-			20	12,1			13,8	0,0451	-	30	12,5		14,2			0,0492	-	37	12,9		14,6			0,0523	-	57	13,8	15,5	0,0605		-			80	14,8	16,5	0,0697		-	105	15,9			18,9	0,0800	-	130	17		20			0,0902	10	155	17,4	20,4		0,0882		15	160		17,6	20,6	0,0900	35	180	18,4			21,4	0,0972	50	195	19,1	22,1		0,1026	60	205		19,5	22,5	0,1062	70	230	20,6	23,6	0,1152		80	280	22,8	25,8	0,1332	90	235		20,8	23,8		0,1170	110	255	21,7	24,7	0,1242	135		280	22,8	25,8	0,1332	225 x	180	235	27,1	30,1		0,1692	BFL		280	-	130	17,8	20,8	0,1012		BFL		-	-	9,8		11,5	0,0246			-	-		10,3	12	0,0287		-		-	10,8			12,5	0,0338		-	5	11,4		13,1	0,0390		-		20	12,1		13,8	0,0451		-	30	12,5		14,2	0,0492	-	37				12,9	14,6	0,0523	-	57	13,8			15,5	0,0605	-	80	14,8		16,5	0,0697		-		105		15,9	18,9	0,0800	-		130		17	20	0,0902	10	155	17,4				20,4	0,0882	15	160		17,6	20,6		0,0900	35	180	18,4		21,4	0,0972	50		195		19,1	22,1	0,1026	60	205	19,5		22,5	0,1062	70	230	20,6	23,6	0,1152		80	280	22,8	25,8	0,1332	90		235	20,8	23,8	0,1170		110		255	21,7	24,7		0,1242	135	280		22,8	25,8		0,1332	225 x	180	235	27,1	30,1	0,1692	BFL		280		-	155	18,9		21,9	0,1127		BFL	-	-		9,8		11,5	0,0246		-	-			10,3	12	0,0287	-			-	10,8		12,5	0,0338			-	5	11,4	13,1		0,0390	-			20	12,1		13,8	0,0451		-	30		12,5	14,2			0,0492	-		37	12,9	14,6	0,0523			-	57		13,8	15,5			0,0605	-	80	14,8			16,5	0,0697		-	105		15,9	18,9		0,0800	-	130	17			20	0,0902	10	155	17,4	20,4		0,0882	15	160	17,6	20,6	0,0900	35	180		18,4	21,4	0,0972	50	195		19,1	22,1	0,1026	60	205	19,5		22,5	0,1062	70	230	20,6	23,6	0,1152	80	280	22,8	25,8	0,1332	90	235	20,8	23,8	0,1170	110	255	21,7	24,7	0,1242	135	280	22																																																																					
70	230	19,9	22,9	0,1024	80	280	22	25	0,1184	90	235	20,1	23,1	0,1040	110	255	20,9	23,9	0,1104	135	280	22	25	0,1184	225 x	-	-	9,4	11,1		0,0216	BFL	225	-	-		11,3		13	0,0380	BFL	-	-				9,8	11,5	0,0252	-	-				10,3	12	0,0297	-	5				10,9	12,6	0,0396	-	20				11,5	13,2	0,0342	-	30				12	13,7	0,0432	-	37				12,3	14	0,0459	-	57			13,1	14,8	0,0531	-	80		14,1	15,8	0,0612	-	105	15,2	18,2	0,0702		-	130	16,3	19,3		0,0792		10	155		17,4		20,4	0,0882		15			160		17,6			20,6		0,0900			35	180	18,4			21,4	0,0972	50	195	19,1	22,1		0,1026	60	205	19,5	22,5	0,1062	250 x	70	230	20,6		23,6	0,1152	BFL	250		-		5		11,9	13,6	0,0437	BFL	80			280		22,8	25,8	0,1332	90	235				20,8	23,8	0,1170	110	255				21,7	24,7	0,1242	135	280				22,8	25,8	0,1332	15	160				17,6	20,6	0,0900	35	180			18,4	21,4	0,0972	50	195	19,1	22,1		0,1026	60	205	19,5	22,5	0,1062	70	230	20,6	23,6	0,1152	80	280	22,8	25,8	0,1332	90	235	20,8	23,8	0,1170	110	255	21,7	24,7	0,1242	135	280	22,8	25,8	0,1332	280 x	180	235	27,1	30,1		0,1692	BFL	280	-		20		12,6	14,3	0,0506		BFL		-	-		9,8	11,5				0,0246	-	-	10,3	12				0,0287	-	-	10,8	12,5				0,0338	-	5	11,4	13,1				0,0390	-	20	12,1	13,8				0,0451	-	30	12,5	14,2			0,0492	-	37	12,9	14,6		0,0523	-	57	13,8	15,5	0,0605	-	80	14,8	16,5	0,0697	-	105	15,9	18,9	0,0800	-	130	17	20		0,0902	10	155	17,4		20,4		0,0882	15	160	17,6		20,6		0,0900	35	180	18,4			21,4		0,0972	50	195					19,1	22,1	0,1026	60	205	19,5	22,5	0,1062	70	230	20,6							23,6	0,1152	80	280	22,8	25,8	0,1332	90	235	20,8	23,8	0,1170	110	255	21,7	24,7	0,1242	135	280	22,8	25,8	0,1332	225 x	180	235	27,1	30,1		0,1692	BFL	280	-		30		13,1	14,8	0,0552		BFL		-	-		9,8	11,5				0,0246	-	-	10,3	12				0,0287	-	-	10,8	12,5				0,0338	-	5	11,4	13,1			0,0390		-	20	12,1	13,8	0,0451		-		30	12,5	14,2	0,0492	-	37	12,9		14,6	0,0523	-		57	13,8	15,5		0,0605	-	80	14,8	16,5	0,0697	-	105	15,9		18,9	0,0800	-	130	17	20	0,0902	10	155	17,4	20,4	0,0882	15	160	17,6		20,6	0,0900		35	180		18,4		21,4		0,0972		50		195				19,1			22,1	0,1026			60	205			19,5	22,5	0,1062		70	230	20,6		23,6	0,1152	80	280	22,8	25,8	0,1332	90	235	20,8	23,8	0,1170	110	255	21,7	24,7	0,1242	135	280	22,8	25,8	0,1332	225 x	180	235	27,1	30,1		0,1692	BFL	280	-		37		13,4	15,1	0,0587		BFL		-	-		9,8	11,5				0,0246	-	-	10,3	12				0,0287	-	-	10,8	12,5			0,0338	-	5	11,4	13,1		0,0390	-	20	12,1		13,8	0,0451		-	30	12,5	14,2	0,0492		-	37	12,9	14,6		0,0523	-	57		13,8	15,5	0,0605	-	80	14,8		16,5	0,0697		-	105	15,9	18,9		0,0800		-	130	17	20	0,0902	10			155	17,4		20,4	0,0882				15	160	17,6	20,6	0,0900		35			180	18,4	21,4	0,0972	50			195		19,1	22,1	0,1026	60	205				19,5	22,5	0,1062	70	230	20,6	23,6			0,1152	80	280	22,8	25,8	0,1332	90		235	20,8	23,8	0,1170	110	255	21,7	24,7	0,1242	135	280	22,8	25,8	0,1332	225 x	180	235	27,1	30,1		0,1692	BFL	280	-		57		14,4	16,1	0,0679		BFL		-	-		9,8	11,5			0,0246		-	-	10,3	12		0,0287		-	-	10,8	12,5	0,0338	-		5	11,4		13,1	0,0390	-		20	12,1	13,8	0,0451	-		30	12,5	14,2		0,0492	-	37		12,9	14,6	0,0523	-	57		13,8	15,5	0,0605		-	80	14,8			16,5	0,0697	-	105	15,9	18,9			0,0800		-		130	17	20		0,0902		10		155	17,4	20,4		0,0882	15	160		17,6		20,6		0,0900	35		180	18,4	21,4	0,0972		50	195	19,1		22,1	0,1026		60	205	19,5	22,5		0,1062	70	230		20,6	23,6		0,1152	80	280	22,8		25,8	0,1332	90		235	20,8	23,8	0,1170	110	255	21,7		24,7	0,1242	135	280	22,8	25,8	0,1332	225 x	180	235	27,1	30,1		0,1692	BFL	280	-		80		15,4	17,1	0,0782		BFL	-		-		9,8	11,5		0,0246		-	-	10,3	12	0,0287		-	-		10,8	12,5	0,0338		-	5	11,4	13,1	0,0390		-	20		12,1	13,8	0,0451	-		30	12,5	14,2	0,0492		-	37	12,9		14,6	0,0523			-	57	13,8	15,5	0,0605	-	80				14,8	16,5	0,0697	-			105		15,9	18,9	0,0800	-		130	17	20	0,0902					10	155	17,4	20,4	0,0882	15			160	17,6	20,6	0,0900	35			180	18,4	21,4		0,0972	50		195	19,1	22,1	0,1026	60	205			19,5	22,5	0,1062	70	230	20,6		23,6	0,1152	80	280	22,8	25,8	0,1332			90	235	20,8	23,8	0,1170	110	255		21,7	24,7	0,1242	135	280	22,8	25,8	0,1332		225 x	180	235	27,1	30,1		0,1692	BFL	280	-		105		16,6	19,6	0,0897		BFL	-	-		9,8		11,5	0,0246	-		-	10,3		12	0,0287	-	-	10,8		12,5	0,0338	-		5	11,4		13,1	0,0390	-	20	12,1		13,8	0,0451	-		30	12,5			14,2	0,0492	-	37	12,9		14,6			0,0523	-	57	13,8		15,5			0,0605	-	80	14,8	16,5	0,0697		-			105	15,9	18,9	0,0800		-	130	17			20	0,0902	10	155	17,4		20,4			0,0882	15	160	17,6	20,6		0,0900		35	180		18,4	21,4	0,0972	50	195	19,1			22,1	0,1026	60	205	19,5	22,5		0,1062	70	230		20,6	23,6	0,1152	80	280	22,8	25,8	0,1332		90	235	20,8	23,8	0,1170	110	255		21,7	24,7		0,1242	135	280	22,8	25,8	0,1332	225 x		180	235	27,1	30,1		0,1692	BFL	280	-		130			17,8	20,8	0,1012	BFL	-	-			9,8	11,5	0,0246	-		-	10,3	12		0,0287	-		-	10,8	12,5	0,0338	-		5	11,4			13,1	0,0390		-	20	12,1		13,8	0,0451		-		30	12,5		14,2	0,0492		-	37	12,9		14,6	0,0523	-	57				13,8	15,5	0,0605	-	80	14,8			16,5	0,0697	-	105	15,9		18,9	0,0800		-		130		17	20	0,0902	10		155		17,4	20,4	0,0882	15	160	17,6				20,6	0,0900	35	180		18,4	21,4		0,0972	50	195	19,1		22,1	0,1026	60		205		19,5	22,5	0,1062	70	230	20,6		23,6	0,1152	80	280	22,8	25,8	0,1332		90	235	20,8	23,8	0,1170	110		255	21,7	24,7	0,1242	135	280		22,8	25,8	0,1332	225 x	180	235	27,1		30,1	0,1692	BFL	280		-	155	18,9	21,9	0,1127			BFL		-	-	9,8		11,5	0,0246			-	-		10,3		12	0,0287		-	-			10,8	12,5	0,0338	-			5	11,4		13,1	0,0390			-	20	12,1	13,8		0,0451	-			30	12,5		14,2	0,0492		-	37		12,9	14,6			0,0523	-		57	13,8	15,5	0,0605			-	80		14,8	16,5			0,0697	-	105	15,9			18,9	0,0800		-	130		17	20		0,0902	10	155	17,4			20,4	0,0882	15	160	17,6	20,6		0,0900	35	180	18,4	21,4	0,0972	50	195		19,1	22,1	0,1026	60	205		19,5	22,5	0,1062	70	230	20,6		23,6	0,1152	80	280	22,8	25,8	0,1332	90	235	20,8	23,8	0,1170	110	255	21,7	24,7	0,1242	135	280	22																																																																										
80	280	22	25	0,1184	90	235	20,1	23,1	0,1040	110	255	20,9	23,9	0,1104	135	280	22	25	0,1184	225 x	-	-	9,4	11,1		0,0216	BFL	225	-		-		11,3	13	0,0380		BFL		-	-		9,8	11,5				0,0252	-	-	10,3	12				0,0297	-	5	10,9	12,6				0,0396	-	20	11,5	13,2				0,0342	-	30	12	13,7				0,0432	-	37	12,3	14				0,0459	-	57	13,1	14,8			0,0531	-	80	14,1	15,8		0,0612	-	105	15,2	18,2	0,0702	-	130		16,3	19,3	0,0792	10		155		17,4	20,4		0,0882		15	160		17,6			20,6		0,0900			35	180	18,4			21,4	0,0972	50	195		19,1	22,1	0,1026	60	205	19,5		22,5	0,1062	250 x	70	230	20,6		23,6	0,1152	BFL		250	-		5	11,9	13,6		0,0437		BFL	80	280		22,8			25,8		0,1332	90	235	20,8	23,8				0,1170	110	255	21,7	24,7				0,1242	135	280	22,8	25,8				0,1332	15	160	17,6	20,6			0,0900	35	180	18,4	21,4	0,0972	50		195	19,1	22,1	0,1026	60	205	19,5	22,5	0,1062	70	230	20,6	23,6	0,1152	80	280	22,8	25,8	0,1332	90	235	20,8	23,8	0,1170	110	255	21,7	24,7	0,1242	135	280	22,8	25,8	0,1332	280 x	180	235	27,1	30,1		0,1692	BFL	280	-		20		12,6	14,3		0,0506		BFL	-	-				9,8	11,5		0,0246	-				-	10,3	12	0,0287	-				-	10,8	12,5	0,0338	-				5	11,4	13,1	0,0390	-				20	12,1	13,8	0,0451	-				30	12,5	14,2	0,0492	-			37	12,9	14,6	0,0523	-		57	13,8	15,5	0,0605	-	80	14,8	16,5	0,0697	-	105	15,9	18,9	0,0800	-	130	17	20	0,0902	10		155	17,4	20,4	0,0882		15		160	17,6	20,6	0,0900		35		180	18,4	21,4	0,0972	50		195		19,1	22,1	0,1026				60	205	19,5	22,5	0,1062	70	230	20,6	23,6	0,1152	80	280	22,8						25,8	0,1332	90	235	20,8	23,8	0,1170	110	255	21,7	24,7	0,1242	135	280	22,8	25,8	0,1332	225 x	180	235	27,1	30,1		0,1692	BFL	280	-		30		13,1	14,8		0,0552		BFL	-	-				9,8	11,5		0,0246	-				-	10,3	12	0,0287	-				-	10,8	12,5	0,0338	-				5	11,4	13,1	0,0390	-			20		12,1	13,8	0,0451	-	30		12,5		14,2	0,0492	-	37	12,9	14,6	0,0523		-	57	13,8		15,5	0,0605	-		80	14,8	16,5	0,0697	-	105	15,9	18,9	0,0800		-	130	17	20	0,0902	10	155	17,4	20,4	0,0882	15	160	17,6	20,6	0,0900	35	180	18,4		21,4	0,0972		50	195	19,1		22,1		0,1026		60		205		19,5			22,5	0,1062			70	230			20,6	23,6	0,1152		80	280	22,8		25,8	0,1332	90	235	20,8	23,8	0,1170	110	255	21,7	24,7	0,1242	135	280	22,8	25,8	0,1332	225 x	180	235	27,1	30,1		0,1692	BFL	280	-		37		13,4	15,1		0,0587		BFL	-	-				9,8	11,5		0,0246	-				-	10,3	12	0,0287	-				-	10,8	12,5	0,0338	-			5	11,4	13,1	0,0390	-		20	12,1	13,8	0,0451		-	30		12,5	14,2	0,0492	-	37		12,9	14,6	0,0523	-		57	13,8	15,5		0,0605	-	80	14,8	16,5	0,0697		-	105		15,9	18,9	0,0800	-		130	17	20	0,0902	10	155	17,4	20,4		0,0882	15	160		17,6	20,6			0,0900	35	180	18,4	21,4	0,0972		50			195	19,1	22,1	0,1026	60			205		19,5	22,5	0,1062	70	230				20,6	23,6	0,1152	80	280	22,8	25,8			0,1332	90	235	20,8	23,8	0,1170	110		255	21,7	24,7	0,1242	135	280	22,8	25,8	0,1332	225 x	180	235	27,1	30,1		0,1692	BFL	280	-		57		14,4	16,1		0,0679		BFL	-	-				9,8	11,5		0,0246	-			-		10,3	12	0,0287	-		-		10,8	12,5	0,0338	-	5	11,4		13,1	0,0390		-	20	12,1		13,8	0,0451	-	30	12,5		14,2	0,0492	-		37	12,9	14,6		0,0523	-	57	13,8	15,5		0,0605	-	80		14,8	16,5	0,0697		-	105	15,9	18,9	0,0800	-	130		17	20		0,0902		10	155	17,4	20,4	0,0882		15		160	17,6	20,6		0,0900	35	180		18,4		21,4		0,0972	50		195	19,1	22,1	0,1026		60	205	19,5		22,5	0,1062		70	230	20,6	23,6		0,1152	80	280		22,8	25,8		0,1332	90	235	20,8		23,8	0,1170	110		255	21,7	24,7	0,1242	135	280	22,8		25,8	0,1332	225 x	180	235	27,1	30,1		0,1692	BFL	280	-		80		15,4	17,1		0,0782		BFL	-	-			9,8		11,5		0,0246	-		-		10,3	12	0,0287	-	-		10,8	12,5		0,0338	-	5		11,4	13,1	0,0390	-	20		12,1	13,8		0,0451	-	30	12,5		14,2	0,0492	-	37		12,9	14,6	0,0523		-	57		13,8	15,5	0,0605	-	80	14,8	16,5	0,0697	-			105	15,9	18,9	0,0800		-	130		17	20	0,0902	10		155	17,4	20,4	0,0882					15	160	17,6	20,6	0,0900	35			180	18,4	21,4	0,0972	50			195	19,1	22,1		0,1026	60		205	19,5	22,5	0,1062	70	230			20,6	23,6	0,1152	80	280	22,8		25,8	0,1332	90	235	20,8	23,8	0,1170			110	255	21,7	24,7	0,1242	135	280		22,8	25,8	0,1332	225 x	180	235	27,1	30,1			0,1692	BFL	280	-		105		16,6	19,6		0,0897		BFL	-	-			9,8	11,5		0,0246		-	-	10,3		12	0,0287		-	-	10,8	12,5	0,0338		-	5	11,4		13,1	0,0390		-	20	12,1	13,8	0,0451		-	30	12,5		14,2	0,0492	-		37	12,9	14,6	0,0523	-	57	13,8			15,5	0,0605	-	80	14,8	16,5			0,0697	-	105	15,9	18,9	0,0800		-			130	17	20	0,0902		10	155	17,4			20,4	0,0882	15	160	17,6		20,6			0,0900	35	180	18,4	21,4		0,0972		50	195		19,1	22,1	0,1026	60	205	19,5			22,5	0,1062	70	230	20,6	23,6		0,1152	80	280		22,8	25,8	0,1332	90	235	20,8	23,8	0,1170		110	255	21,7	24,7	0,1242	135	280		22,8	25,8		0,1332	225 x	180	235	27,1	30,1			0,1692	BFL	280	-		130		17,8	20,8		0,1012			BFL	-	-		9,8	11,5			0,0246	-	-	10,3		12	0,0287	-		-	10,8		12,5	0,0338	-	5	11,4		13,1	0,0390		-	20	12,1		13,8	0,0451	-	30	12,5	14,2		0,0492		-	37	12,9	14,6	0,0523		-	57	13,8		15,5	0,0605	-	80				14,8	16,5	0,0697	-	105	15,9			18,9	0,0800	-	130	17		20	0,0902		10		155		17,4	20,4	0,0882	15		160		17,6	20,6	0,0900	35	180	18,4				21,4	0,0972	50	195		19,1	22,1		0,1026	60	205	19,5		22,5	0,1062	70		230		20,6	23,6	0,1152	80	280	22,8		25,8	0,1332	90	235	20,8	23,8	0,1170		110	255	21,7	24,7	0,1242	135		280	22,8	25,8	0,1332	225 x	180		235	27,1	30,1		0,1692	BFL	280		-	155		18,9		21,9	0,1127	BFL	-	-		9,8			11,5	0,0246	-	-	10,3	12			0,0287	-	-	10,8		12,5	0,0338		-	5			11,4	13,1	0,0390	-			20	12,1		13,8	0,0451			-	30	12,5	14,2		0,0492	-			37	12,9		14,6	0,0523		-	57		13,8	15,5			0,0605	-		80	14,8	16,5	0,0697			-	105		15,9	18,9			0,0800	-	130	17			20	0,0902		10	155		17,4	20,4		0,0882	15	160	17,6			20,6	0,0900	35	180	18,4	21,4		0,0972	50	195	19,1	22,1	0,1026	60	205		19,5	22,5	0,1062	70	230		20,6	23,6	0,1152	80	280	22,8		25,8	0,1332	90	235	20,8	23,8	0,1170	110	255	21,7	24,7	0,1242	135	280	22																																																																															
90	235	20,1	23,1	0,1040	110	255	20,9	23,9	0,1104	135	280	22	25	0,1184	225 x	-	-	9,4	11,1		0,0216	BFL	225	-		-		11,3	13		0,0380		BFL	-	-				9,8	11,5		0,0252	-				-	10,3	12	0,0297	-				5	10,9	12,6	0,0396	-				20	11,5	13,2	0,0342	-				30	12	13,7	0,0432	-				37	12,3	14	0,0459	-				57	13,1	14,8	0,0531	-			80	14,1	15,8	0,0612	-		105	15,2	18,2	0,0702	-	130	16,3	19,3		0,0792	10	155	17,4		20,4		0,0882	15		160		17,6	20,6		0,0900			35	180	18,4			21,4	0,0972	50	195		19,1	22,1	0,1026	60		205	19,5	22,5	0,1062	250 x	70	230	20,6	23,6		0,1152	BFL	250		-	5			11,9	13,6		0,0437	BFL	80		280			22,8	25,8		0,1332			90		235	20,8	23,8	0,1170	110				255	21,7	24,7	0,1242	135				280	22,8	25,8	0,1332	15			160	17,6	20,6	0,0900	35	180	18,4		21,4	0,0972	50	195	19,1	22,1	0,1026	60	205	19,5	22,5	0,1062	70	230	20,6	23,6	0,1152	80	280	22,8	25,8	0,1332	90	235	20,8	23,8	0,1170	110	255	21,7	24,7	0,1242	135	280	22,8	25,8	0,1332	280 x	180	235	27,1	30,1		0,1692	BFL	280	-		20		12,6	14,3		0,0506		BFL	-		-			9,8	11,5				0,0246	-		-	10,3				12	0,0287	-	-	10,8				12,5	0,0338	-	5	11,4				13,1	0,0390	-	20	12,1				13,8	0,0451	-	30	12,5				14,2	0,0492	-	37	12,9			14,6	0,0523	-	57	13,8		15,5	0,0605	-	80	14,8	16,5	0,0697	-	105	15,9	18,9	0,0800	-	130	17	20	0,0902	10	155	17,4		20,4	0,0882	15	160		17,6		20,6	0,0900	35	180		18,4	21,4	0,0972	50	195	19,1	22,1		0,1026		60	205	19,5			22,5	0,1062	70	230	20,6	23,6	0,1152	80	280	22,8	25,8	0,1332	90	235	20,8					23,8	0,1170	110	255	21,7	24,7	0,1242	135	280	22,8	25,8	0,1332	225 x	180	235	27,1	30,1		0,1692	BFL	280	-		30		13,1	14,8		0,0552		BFL	-		-			9,8	11,5				0,0246	-		-	10,3				12	0,0287	-	-	10,8				12,5	0,0338	-	5	11,4				13,1	0,0390	-	20	12,1			13,8		0,0451	-	30	12,5	14,2		0,0492		-	37	12,9	14,6	0,0523	-	57		13,8	15,5	0,0605		-	80	14,8		16,5	0,0697	-	105	15,9	18,9	0,0800	-	130		17	20	0,0902	10	155	17,4	20,4	0,0882	15	160	17,6	20,6	0,0900	35	180	18,4	21,4	0,0972	50	195	19,1		22,1	0,1026	60		205	19,5	22,5		0,1062		70		230		20,6	23,6	0,1152			80	280			22,8	25,8	0,1332		90	235	20,8		23,8	0,1170	110	255	21,7	24,7	0,1242	135	280	22,8	25,8	0,1332	225 x	180	235	27,1	30,1		0,1692	BFL	280	-		37		13,4	15,1		0,0587		BFL	-		-			9,8	11,5				0,0246	-		-	10,3				12	0,0287	-	-	10,8				12,5	0,0338	-	5	11,4			13,1	0,0390	-	20	12,1		13,8	0,0451	-	30		12,5	14,2		0,0492	-	37	12,9	14,6		0,0523	-	57	13,8		15,5	0,0605	-		80	14,8	16,5	0,0697	-	105		15,9	18,9		0,0800	-	130	17		20	0,0902	10	155	17,4	20,4	0,0882	15	160	17,6	20,6	0,0900		35	180		18,4	21,4	0,0972	50	195	19,1	22,1		0,1026		60	205	19,5	22,5	0,1062	70			230		20,6	23,6	0,1152	80	280				22,8	25,8	0,1332	90	235	20,8	23,8			0,1170	110	255	21,7	24,7	0,1242	135		280	22,8	25,8	0,1332	225 x	180	235	27,1	30,1		0,1692	BFL	280	-		57		14,4	16,1		0,0679		BFL	-		-			9,8	11,5				0,0246	-		-	10,3			12		0,0287	-	-	10,8		12,5		0,0338	-	5	11,4	13,1	0,0390		-	20		12,1	13,8	0,0451		-	30	12,5	14,2	0,0492		-	37	12,9		14,6	0,0523	-		57	13,8	15,5	0,0605	-		80	14,8	16,5		0,0697	-	105		15,9	18,9	0,0800	-	130	17	20		0,0902	10		155	17,4	20,4	0,0882	15	160	17,6		20,6	0,0900	35	180	18,4		21,4	0,0972	50	195	19,1		22,1		0,1026	60		205	19,5	22,5	0,1062		70	230	20,6		23,6	0,1152		80	280	22,8	25,8		0,1332	90	235		20,8	23,8		0,1170	110	255	21,7		24,7	0,1242	135		280	22,8	25,8	0,1332	225 x	180	235		27,1	30,1		0,1692	BFL	280	-		80		15,4	17,1		0,0782		BFL	-		-			9,8	11,5			0,0246		-		-	10,3		12		0,0287	-	-	10,8	12,5		0,0338	-		5	11,4	13,1		0,0390	-	20	12,1	13,8		0,0451	-		30	12,5	14,2	0,0492		-	37	12,9	14,6		0,0523	-	57		13,8	15,5		0,0605	-	80	14,8	16,5	0,0697	-	105	15,9			18,9	0,0800	-	130	17	20	0,0902		10	155	17,4	20,4	0,0882	15	160	17,6	20,6				0,0900	35	180	18,4	21,4	0,0972	50			195	19,1	22,1	0,1026	60			205	19,5	22,5		0,1062	70		230	20,6	23,6	0,1152	80	280			22,8	25,8	0,1332	90	235	20,8		23,8	0,1170	110	255	21,7	24,7	0,1242			135	280	22,8	25,8	0,1332	225 x	180		235	27,1	30,1		0,1692	BFL	280	-			105		16,6	19,6		0,0897		BFL	-		-			9,8	11,5			0,0246	-		-		10,3	12	0,0287		-	-		10,8	12,5	0,0338	-	5		11,4	13,1	0,0390		-	20		12,1	13,8	0,0451	-	30		12,5	14,2	0,0492		-	37	12,9		14,6	0,0523	-	57	13,8	15,5	0,0605			-	80	14,8	16,5	0,0697	-		105	15,9	18,9	0,0800	-	130	17	20	0,0902			10	155	17,4	20,4	0,0882	15	160	17,6			20,6	0,0900	35	180	18,4		21,4			0,0972	50	195	19,1	22,1		0,1026		60	205		19,5	22,5	0,1062	70	230	20,6			23,6	0,1152	80	280	22,8	25,8		0,1332	90	235		20,8	23,8	0,1170	110	255	21,7	24,7	0,1242		135	280	22,8	25,8	0,1332	225 x	180		235	27,1		30,1		0,1692	BFL	280	-			130		17,8	20,8		0,1012		BFL	-		-				9,8	11,5		0,0246	-			-	10,3	12	0,0287		-	-	10,8		12,5	0,0338		-	5	11,4	13,1	0,0390		-	20		12,1	13,8	0,0451		-	30	12,5	14,2	0,0492	-		37		12,9	14,6	0,0523	-	57		13,8	15,5	0,0605	-	80	14,8	16,5	0,0697		-		105	15,9	18,9	0,0800	-	130	17		20	0,0902	10	155	17,4		20,4	0,0882		15		160		17,6	20,6	0,0900	35		180		18,4	21,4	0,0972	50	195	19,1				22,1	0,1026	60	205		19,5	22,5		0,1062	70	230	20,6		23,6	0,1152	80		280		22,8	25,8	0,1332	90	235	20,8		23,8	0,1170	110	255	21,7	24,7	0,1242		135	280	22,8	25,8	0,1332	225 x		180	235	27,1	30,1		0,1692		BFL	280	-		155		18,9		21,9	0,1127		BFL		-	-		9,8	11,5		0,0246			-	-	10,3	12	0,0287	-			-	10,8	12,5	0,0338		-	5		11,4	13,1		0,0390	-	20	12,1	13,8		0,0451	-	30		12,5	14,2		0,0492	-	37	12,9	14,6		0,0523	-			57	13,8		15,5	0,0605		-	80		14,8	16,5			0,0697	-		105	15,9	18,9	0,0800			-	130		17	20			0,0902	10	155	17,4			20,4	0,0882		15	160		17,6	20,6		0,0900	35	180	18,4			21,4	0,0972	50	195	19,1	22,1		0,1026	60	205	19,5	22,5	0,1062	70	230		20,6	23,6	0,1152	80	280		22,8	25,8	0,1332	90	235	20,8		23,8	0,1170	110	255	21,7	24,7	0,1242	135	280	22																																																																																				
110	255	20,9	23,9	0,1104	135	280	22	25	0,1184	225 x	-	-	9,4	11,1		0,0216	BFL	225	-		-		11,3	13		0,0380		BFL	-		-			9,8	11,5				0,0252	-		-	10,3				12	0,0297	-	5	10,9				12,6	0,0396	-	20	11,5				13,2	0,0342	-	30	12				13,7	0,0432	-	37	12,3				14	0,0459	-	57	13,1				14,8	0,0531	-	80	14,1			15,8	0,0612	-	105	15,2		18,2	0,0702	-	130	16,3	19,3	0,0792	10		155	17,4	20,4	0,0882		15		160	17,6		20,6		0,0900	35	180	18,4			21,4	0,0972	50	195		19,1	22,1	0,1026	60		205	19,5	22,5	0,1062	250 x	70	230	20,6	23,6		0,1152	BFL	250	-		5		11,9		13,6	0,0437			BFL	80		280		22,8		25,8			0,1332	90		235			20,8		23,8	0,1170	110	255	21,7				24,7	0,1242	135	280	22,8			25,8	0,1332	15	160	17,6	20,6	0,0900		35	180	18,4	21,4	0,0972	50	195	19,1	22,1	0,1026	60	205	19,5	22,5	0,1062	70	230	20,6	23,6	0,1152	80	280	22,8	25,8	0,1332	90	235	20,8	23,8	0,1170	110	255	21,7	24,7	0,1242	135	280	22,8	25,8	0,1332	280 x	180	235	27,1	30,1		0,1692	BFL	280	-		20		12,6	14,3		0,0506		BFL	-		-			9,8		11,5			0,0246	-				-	10,3		12	0,0287				-	-	10,8	12,5	0,0338				-	5	11,4	13,1	0,0390				-	20	12,1	13,8	0,0451				-	30	12,5	14,2	0,0492				-	37	12,9	14,6	0,0523			-	57	13,8	15,5	0,0605		-	80	14,8	16,5	0,0697	-	105	15,9	18,9	0,0800	-	130	17	20	0,0902	10	155	17,4	20,4	0,0882		15	160	17,6	20,6		0,0900		35	180	18,4	21,4	0,0972	50	195	19,1	22,1	0,1026	60	205		19,5		22,5	0,1062	70		230	20,6	23,6	0,1152	80	280	22,8	25,8	0,1332	90	235	20,8	23,8	0,1170	110	255	21,7				24,7	0,1242	135	280	22,8	25,8	0,1332	225 x	180	235	27,1	30,1		0,1692	BFL	280	-		30		13,1	14,8		0,0552		BFL	-		-			9,8		11,5			0,0246	-				-	10,3		12	0,0287				-	-	10,8	12,5	0,0338				-	5	11,4	13,1	0,0390				-	20	12,1	13,8	0,0451			-		30	12,5	14,2	0,0492	-		37		12,9	14,6	0,0523	-	57	13,8	15,5		0,0605	-	80		14,8	16,5	0,0697		-	105	15,9	18,9	0,0800	-	130	17	20		0,0902	10	155	17,4	20,4	0,0882	15	160	17,6	20,6	0,0900	35	180	18,4	21,4	0,0972	50	195	19,1	22,1	0,1026	60	205	19,5	22,5		0,1062	70	230		20,6	23,6	0,1152		80		280	22,8	25,8		0,1332	90	235			20,8	23,8	0,1170		110	255	21,7		24,7	0,1242	135	280	22,8	25,8	0,1332	225 x	180	235	27,1	30,1		0,1692	BFL	280	-		37		13,4	15,1		0,0587		BFL	-		-			9,8		11,5			0,0246	-				-	10,3		12	0,0287				-	-	10,8	12,5	0,0338				-	5	11,4	13,1	0,0390			-	20	12,1	13,8	0,0451		-	30	12,5	14,2		0,0492	-		37	12,9	14,6	0,0523	-		57	13,8	15,5	0,0605		-	80	14,8		16,5	0,0697	-	105	15,9	18,9		0,0800	-		130	17	20	0,0902		10	155	17,4	20,4	0,0882	15	160	17,6	20,6	0,0900	35	180		18,4	21,4	0,0972	50	195	19,1	22,1	0,1026	60	205		19,5	22,5	0,1062	70	230	20,6	23,6	0,1152			80	280	22,8	25,8	0,1332	90	235				20,8	23,8	0,1170	110	255	21,7	24,7			0,1242	135	280	22,8	25,8	0,1332	225 x		180	235	27,1	30,1		0,1692	BFL	280	-		57		14,4	16,1		0,0679		BFL	-		-			9,8		11,5			0,0246	-				-	10,3		12	0,0287			-		-	10,8	12,5	0,0338		-		5	11,4	13,1	0,0390	-	20		12,1	13,8		0,0451	-	30		12,5	14,2	0,0492	-	37		12,9	14,6	0,0523		-	57	13,8		15,5	0,0605	-	80	14,8		16,5	0,0697	-		105	15,9	18,9		0,0800	-	130	17	20	0,0902	10		155	17,4		20,4	0,0882	15	160	17,6	20,6	0,0900		35	180	18,4	21,4	0,0972	50	195	19,1	22,1	0,1026	60		205	19,5	22,5	0,1062		70	230	20,6	23,6	0,1152	80	280	22,8		25,8	0,1332		90	235	20,8	23,8		0,1170	110	255		21,7	24,7		0,1242	135	280	22,8		25,8	0,1332	225 x		180	235	27,1	30,1		0,1692	BFL		280	-		80		15,4	17,1		0,0782		BFL	-		-			9,8		11,5			0,0246	-			-		10,3		12	0,0287		-		-	10,8	12,5	0,0338	-		5	11,4		13,1	0,0390	-		20	12,1	13,8	0,0451	-		30	12,5		14,2	0,0492	-	37		12,9	14,6	0,0523	-		57	13,8	15,5		0,0605	-		80	14,8	16,5	0,0697	-	105	15,9	18,9	0,0800			-	130	17	20	0,0902	10	155		17,4	20,4	0,0882	15	160	17,6	20,6	0,0900	35			180	18,4	21,4	0,0972	50	195	19,1	22,1	0,1026		60	205	19,5	22,5	0,1062		70	230	20,6	23,6		0,1152	80		280	22,8	25,8	0,1332	90	235			20,8	23,8	0,1170	110	255	21,7		24,7	0,1242	135	280	22,8	25,8	0,1332			225 x	180	235	27,1	30,1		0,1692		BFL	280	-		105		16,6	19,6			0,0897		BFL	-		-			9,8		11,5			0,0246	-			-	10,3		12		0,0287	-	-		10,8	12,5		0,0338	-	5	11,4	13,1		0,0390	-	20		12,1	13,8		0,0451	-	30	12,5	14,2		0,0492	-	37		12,9	14,6	0,0523		-	57	13,8	15,5	0,0605	-	80			14,8	16,5	0,0697	-	105	15,9		18,9	0,0800	-	130	17	20	0,0902	10	155			17,4	20,4	0,0882	15	160	17,6	20,6	0,0900	35		180	18,4	21,4	0,0972	50	195	19,1			22,1	0,1026	60	205	19,5	22,5	0,1062		70	230		20,6	23,6	0,1152	80	280	22,8			25,8	0,1332	90	235	20,8	23,8		0,1170	110	255		21,7	24,7	0,1242	135	280	22,8	25,8	0,1332		225 x	180	235	27,1	30,1		0,1692		BFL	280		-		130		17,8	20,8			0,1012		BFL	-		-			9,8		11,5				0,0246	-		-	10,3			12	0,0287	-	-		10,8	12,5	0,0338		-	5		11,4	13,1	0,0390	-	20		12,1	13,8		0,0451	-	30		12,5	14,2	0,0492	-	37	12,9		14,6		0,0523	-	57	13,8	15,5		0,0605	-	80	14,8	16,5	0,0697	-	105		15,9		18,9	0,0800	-	130	17	20	0,0902		10	155	17,4	20,4	0,0882	15	160	17,6		20,6		0,0900	35	180	18,4	21,4	0,0972		50	195	19,1	22,1	0,1026	60	205	19,5				22,5	0,1062	70	230		20,6	23,6		0,1152	80	280	22,8		25,8	0,1332	90		235		20,8	23,8	0,1170	110	255	21,7		24,7	0,1242	135	280	22,8	25,8	0,1332		225 x	180	235	27,1	30,1			0,1692	BFL	280	-		155			18,9	21,9		0,1127		BFL		-	-				9,8	11,5		0,0246	-		-			10,3	12	0,0287	-	-	10,8			12,5	0,0338	-	5		11,4	13,1		0,0390	-		20	12,1	13,8	0,0451	-		30	12,5	14,2		0,0492	-		37	12,9	14,6	0,0523	-		57	13,8		15,5	0,0605	-		80	14,8	16,5	0,0697	-		105	15,9		18,9	0,0800	-		130	17	20	0,0902			10	155		17,4	20,4			0,0882	15	160	17,6			20,6	0,0900		35	180		18,4	21,4		0,0972	50	195	19,1			22,1	0,1026	60	205	19,5	22,5		0,1062	70	230	20,6	23,6	0,1152	80	280		22,8	25,8	0,1332	90	235		20,8	23,8	0,1170	110	255	21,7		24,7	0,1242	135	280	22																																																																																									
135	280	22	25	0,1184	225 x	-	-	9,4	11,1		0,0216	BFL	225	-		-		11,3	13		0,0380		BFL	-		-			9,8		11,5			0,0252	-				-	10,3		12	0,0297				-	5	10,9	12,6	0,0396				-	20	11,5	13,2	0,0342				-	30	12	13,7	0,0432				-	37	12,3	14	0,0459				-	57	13,1	14,8	0,0531				-	80	14,1	15,8	0,0612			-	105	15,2	18,2	0,0702		-	130	16,3	19,3	0,0792	10	155	17,4		20,4	0,0882	15	160		17,6		20,6	0,0900	35	180		18,4	21,4	0,0972	50	195		19,1	22,1	0,1026	60		205	19,5	22,5	0,1062	250 x	70	230	20,6	23,6		0,1152	BFL	250	-		5		11,9	13,6		0,0437		BFL		80	280				22,8		25,8		0,1332		90			235	20,8		23,8			0,1170		110	255	21,7	24,7	0,1242			135	280	22,8	25,8	0,1332	15	160		17,6	20,6	0,0900	35	180	18,4	21,4	0,0972	50	195	19,1	22,1	0,1026	60	205	19,5	22,5	0,1062	70	230	20,6	23,6	0,1152	80	280	22,8	25,8	0,1332	90	235	20,8	23,8	0,1170	110	255	21,7	24,7	0,1242	135	280	22,8	25,8	0,1332	280 x	180	235	27,1	30,1		0,1692	BFL	280	-		20		12,6	14,3		0,0506		BFL	-		-			9,8		11,5			0,0246		-			-	10,3				12	0,0287		-	-				10,8	12,5	0,0338	-	5				11,4	13,1	0,0390	-	20				12,1	13,8	0,0451	-	30				12,5	14,2	0,0492	-	37				12,9	14,6	0,0523	-	57			13,8	15,5	0,0605	-	80		14,8	16,5	0,0697	-	105	15,9	18,9	0,0800	-	130	17	20	0,0902	10	155	17,4	20,4	0,0882	15	160		17,6	20,6	0,0900	35		180	18,4	21,4	0,0972	50	195	19,1	22,1	0,1026	60	205	19,5	22,5	0,1062		70		230	20,6	23,6	0,1152	80	280	22,8	25,8	0,1332	90	235	20,8	23,8	0,1170	110	255	21,7	24,7	0,1242	135	280	22,8			25,8	0,1332	225 x	180	235	27,1	30,1		0,1692	BFL	280	-		30		13,1	14,8		0,0552		BFL	-		-			9,8		11,5			0,0246		-			-	10,3				12	0,0287		-	-				10,8	12,5	0,0338	-	5				11,4	13,1	0,0390	-	20				12,1	13,8	0,0451	-	30			12,5		14,2	0,0492	-	37	12,9		14,6		0,0523	-	57	13,8	15,5	0,0605	-		80	14,8	16,5		0,0697	-	105		15,9	18,9	0,0800	-	130	17	20	0,0902	10		155	17,4	20,4	0,0882	15	160	17,6	20,6	0,0900	35	180	18,4	21,4	0,0972	50	195	19,1	22,1	0,1026	60	205	19,5	22,5	0,1062	70	230	20,6	23,6	0,1152		80	280	22,8		25,8	0,1332	90	235	20,8		23,8	0,1170	110		255	21,7	24,7	0,1242		135	280	22,8		25,8	0,1332	225 x	180	235	27,1	30,1		0,1692	BFL	280	-		37		13,4	15,1		0,0587		BFL	-		-			9,8		11,5			0,0246		-			-	10,3				12	0,0287		-	-				10,8	12,5	0,0338	-	5				11,4	13,1	0,0390	-	20			12,1	13,8	0,0451	-	30		12,5	14,2	0,0492	-		37	12,9		14,6	0,0523	-	57	13,8		15,5	0,0605	-	80		14,8	16,5	0,0697		-	105	15,9	18,9	0,0800	-		130	17		20	0,0902	10	155		17,4	20,4	0,0882	15	160	17,6	20,6	0,0900	35	180	18,4	21,4		0,0972	50	195	19,1	22,1	0,1026	60	205	19,5	22,5	0,1062	70	230	20,6	23,6	0,1152	80	280	22,8		25,8	0,1332	90	235	20,8	23,8	0,1170	110			255	21,7	24,7	0,1242	135	280	22,8	25,8			0,1332	225 x	180	235	27,1	30,1			0,1692	BFL	280	-		57		14,4	16,1		0,0679		BFL	-		-			9,8		11,5			0,0246		-			-	10,3				12	0,0287		-	-			10,8		12,5	0,0338	-	5		11,4		13,1	0,0390	-	20	12,1	13,8		0,0451	-		30	12,5	14,2		0,0492	-	37	12,9	14,6		0,0523	-	57		13,8	15,5	0,0605		-	80	14,8	16,5	0,0697		-	105	15,9		18,9	0,0800	-		130	17	20	0,0902	10	155	17,4		20,4	0,0882		15	160	17,6	20,6	0,0900	35	180		18,4	21,4	0,0972	50	195	19,1	22,1	0,1026	60	205	19,5		22,5	0,1062	70	230	20,6	23,6	0,1152	80	280	22,8	25,8	0,1332	90	235	20,8	23,8		0,1170	110	255	21,7	24,7	0,1242	135	280		22,8	25,8		0,1332	225 x	180	235		27,1	30,1			0,1692	BFL	280	-		80			15,4	17,1		0,0782		BFL	-		-			9,8		11,5			0,0246		-			-	10,3			12		0,0287		-	-		10,8		12,5	0,0338	-	5	11,4		13,1	0,0390		-	20	12,1		13,8	0,0451	-	30	12,5		14,2	0,0492		-	37	12,9	14,6		0,0523	-	57	13,8		15,5	0,0605	-		80	14,8		16,5	0,0697	-	105	15,9	18,9	0,0800	-	130			17	20	0,0902	10	155	17,4	20,4		0,0882	15	160	17,6	20,6	0,0900	35	180	18,4			21,4	0,0972	50	195	19,1	22,1	0,1026	60	205		19,5	22,5	0,1062	70	230	20,6	23,6	0,1152	80	280		22,8	25,8	0,1332	90	235	20,8	23,8	0,1170	110		255	21,7	24,7	0,1242	135	280	22,8		25,8	0,1332	225 x	180	235	27,1	30,1				0,1692	BFL	280	-		105			16,6	19,6		0,0897		BFL	-			-			9,8		11,5			0,0246		-			-	10,3			12	0,0287		-		-	10,8	12,5		0,0338	-		5	11,4	13,1	0,0390	-		20	12,1	13,8		0,0451	-		30	12,5	14,2	0,0492	-		37	12,9	14,6		0,0523	-	57		13,8	15,5	0,0605	-	80	14,8	16,5			0,0697	-	105	15,9	18,9	0,0800		-	130	17	20	0,0902	10	155	17,4	20,4			0,0882	15	160	17,6	20,6	0,0900	35	180	18,4		21,4	0,0972	50	195	19,1	22,1	0,1026			60	205	19,5	22,5	0,1062	70	230		20,6	23,6	0,1152	80	280	22,8	25,8	0,1332	90	235		20,8	23,8	0,1170	110	255	21,7	24,7	0,1242	135	280		22,8	25,8	0,1332	225 x	180	235	27,1	30,1			0,1692	BFL	280	-		130			17,8		20,8		0,1012		BFL	-			-			9,8		11,5			0,0246		-				-	10,3		12	0,0287			-	-	10,8	12,5		0,0338	-	5		11,4	13,1		0,0390	-	20	12,1	13,8		0,0451	-		30	12,5	14,2		0,0492	-	37	12,9	14,6	0,0523		-		57	13,8	15,5	0,0605	-		80	14,8	16,5	0,0697	-	105	15,9	18,9		0,0800		-	130	17	20	0,0902	10	155		17,4	20,4	0,0882	15	160	17,6	20,6	0,0900		35		180	18,4	21,4	0,0972	50	195		19,1	22,1	0,1026	60	205	19,5	22,5	0,1062	70			230	20,6	23,6	0,1152	80	280	22,8		25,8	0,1332	90	235	20,8	23,8	0,1170	110		255		21,7	24,7	0,1242	135	280	22,8		25,8	0,1332	225 x	180	235	27,1	30,1			0,1692	BFL	280	-			155		18,9	21,9		0,1127			BFL	-		-				9,8	11,5				0,0246	-		-	10,3		12			0,0287	-	-	10,8	12,5	0,0338			-	5	11,4	13,1		0,0390	-		20	12,1		13,8	0,0451	-	30	12,5		14,2	0,0492	-		37	12,9		14,6	0,0523	-	57	13,8		15,5	0,0605		-	80	14,8		16,5	0,0697	-	105	15,9		18,9	0,0800		-	130	17		20	0,0902	10	155		17,4	20,4	0,0882		15	160	17,6		20,6	0,0900	35	180		18,4	21,4	0,0972		50	195		19,1	22,1		0,1026	60	205	19,5			22,5	0,1062	70	230	20,6	23,6		0,1152	80	280	22,8	25,8	0,1332	90	235		20,8	23,8	0,1170	110	255		21,7	24,7	0,1242	135	280	22																																																																																															
225 x	-	-	9,4	11,1		0,0216	BFL	225	-		-		11,3	13		0,0380		BFL																																																																																																																																																																																																																																																																																																																																																																																																																																																																																																																																																																																																																																																																																																																																																																																																																																																																																																																																																																																																																																																																																																																																																																																																																																																																																																																																																																																																																																																																																																																																																																																																																																																													
	-	-	9,8	11,5		0,0252		-	-		10,3		12	0,0297		-			5		10,9			12,6		0,0396			-		20			11,5	13,2				0,0342	-		30	12				13,7	0,0432	-	37	12,3				14	0,0459	-	57	13,1				14,8	0,0531	-	80	14,1				15,8	0,0612	-	105	15,2				18,2	0,0702	-	130	16,3				19,3	0,0792	10	155	17,4			20,4	0,0882	15	160	17,6		20,6	0,0900	35	180	18,4	21,4	0,0972	50	195	19,1	22,1	0,1026	60	205	19,5	22,5	0,1062	250 x	70	230	20,6	23,6	0,1152	BFL	250	-	5	11,9	13,6	0,0437	BFL	80	280	22,8	25,8	0,1332		90	235	20,8	23,8		0,1170		110	255		21,7		24,7	0,1242		135				280	22,8				25,8		0,1332		15		160	17,6		20,6	0,0900		35	180	18,4	21,4		0,0972	50	195	19,1	22,1	0,1026	60	205	19,5	22,5	0,1062	70	230	20,6	23,6	0,1152	80	280	22,8	25,8	0,1332	90	235	20,8	23,8	0,1170	110	255	21,7	24,7	0,1242	135	280	22,8	25,8	0,1332	280 x	180	235	27,1	30,1	0,1692	BFL	280	-	20	12,6	14,3	0,0506	BFL	-	-	9,8	11,5	0,0246	-	-	10,3		12	0,0287	-	-		10,8		12,5	0,0338		-		5	11,4		13,1			0,0390		-			20		12,1			13,8		0,0451			-	30				12,5	14,2		0,0492	-				37	12,9	14,6	0,0523	-				57	13,8	15,5	0,0605	-				80	14,8	16,5	0,0697	-				105	15,9	18,9	0,0800	-				130	17	20	0,0902	10			155	17,4	20,4	0,0882	15		160	17,6	20,6	0,0900	35	180	18,4	21,4	0,0972	50	195	19,1	22,1	0,1026	60	205	19,5	22,5	0,1062	70	230	20,6	23,6	0,1152	80	280	22,8	25,8	0,1332	90	235	20,8	23,8	0,1170	110	255	21,7	24,7	0,1242	135	280	22,8	25,8	0,1332	225 x	180	235	27,1	30,1	0,1692	BFL	280	-	30	13,1	14,8	0,0552	BFL	-	-	9,8	11,5	0,0246	-	-	10,3	12	0,0287	-		-	10,8	12,5	0,0338		-		5	11,4		13,1		0,0390	-		20			12,1		13,8			0,0451		-			30		12,5			14,2	0,0492				-	37		12,9	14,6				0,0523	-	57	13,8	15,5				0,0605	-	80	14,8	16,5				0,0697	-	105	15,9	18,9			0,0800		-	130	17	20	0,0902		10		155	17,4	20,4	0,0882	15	160	17,6		20,6	0,0900	35		180	18,4	21,4		0,0972	50	195	19,1	22,1	0,1026	60	205	19,5		22,5	0,1062	70	230	20,6	23,6	0,1152	80	280	22,8	25,8	0,1332	90	235	20,8	23,8	0,1170	110	255	21,7	24,7	0,1242	135	280	22,8	25,8	0,1332	225 x	180	235	27,1	30,1	0,1692	BFL	280	-	37	13,4	15,1	0,0587	BFL	-	-	9,8	11,5	0,0246	-	-	10,3	12	0,0287	-	-	10,8	12,5		0,0338	-	5	11,4		13,1		0,0390	-		20		12,1	13,8		0,0451			-		30			12,5		14,2			0,0492		-			37	12,9				14,6	0,0523		-	57				13,8	15,5	0,0605	-	80				14,8	16,5	0,0697	-	105			15,9	18,9	0,0800	-	130		17	20	0,0902	10		155	17,4		20,4	0,0882	15	160	17,6		20,6	0,0900	35	180		18,4	21,4	0,0972		50	195	19,1	22,1	0,1026	60		205	19,5		22,5	0,1062	70	230		20,6	23,6	0,1152	80	280	22,8	25,8	0,1332	90	235	20,8	23,8		0,1170	110	255	21,7	24,7	0,1242	135	280	22,8	25,8	0,1332	225 x	180	235	27,1	30,1	0,1692	BFL	280	-	57	14,4	16,1	0,0679	BFL	-	-	9,8	11,5	0,0246	-	-	10,3	12	0,0287	-	-	10,8	12,5	0,0338	-		5	11,4	13,1	0,0390		-	20		12,1	13,8		0,0451		-	30		12,5			14,2		0,0492			-		37			12,9		14,6			0,0523	-				57	13,8		15,5	0,0605			-		80	14,8	16,5	0,0697		-		105	15,9	18,9	0,0800	-	130		17	20		0,0902	10	155		17,4	20,4	0,0882	15	160		17,6	20,6	0,0900		35	180	18,4		21,4	0,0972	50	195	19,1		22,1	0,1026	60		205	19,5	22,5		0,1062	70	230	20,6	23,6	0,1152	80		280	22,8		25,8	0,1332	90	235	20,8	23,8	0,1170		110	255	21,7	24,7	0,1242	135	280	22,8	25,8	0,1332	225 x		180	235	27,1	30,1	0,1692	BFL	280	-	80	15,4	17,1	0,0782	BFL	-	-	9,8	11,5	0,0246	-	-	10,3	12	0,0287	-	-	10,8	12,5	0,0338	-	5		11,4	13,1	0,0390	-	20		12,1	13,8		0,0451	-		30		12,5	14,2	0,0492		-			37		12,9			14,6		0,0523			-		57			13,8	15,5			0,0605		-		80	14,8		16,5		0,0697	-	105	15,9	18,9		0,0800	-		130	17	20		0,0902	10	155	17,4	20,4		0,0882	15		160	17,6	20,6	0,0900		35	180	18,4	21,4		0,0972	50	195		19,1	22,1		0,1026	60	205	19,5	22,5	0,1062	70	230	20,6			23,6	0,1152	80	280	22,8	25,8	0,1332		90	235	20,8	23,8	0,1170	110	255	21,7	24,7			0,1242	135	280	22,8	25,8	0,1332	225 x	180	235		27,1	30,1	0,1692	BFL	280	-	105	16,6	19,6	0,0897		BFL	-	-	9,8	11,5	0,0246	-	-	10,3	12	0,0287	-	-	10,8	12,5	0,0338	-	5	11,4	13,1		0,0390	-	20	12,1	13,8	0,0451		-		30	12,5		14,2	0,0492		-	37		12,9			14,6	0,0523		-			57		13,8			15,5		0,0605			-	80			14,8	16,5		0,0697		-	105	15,9		18,9	0,0800		-	130	17	20	0,0902		10	155	17,4		20,4	0,0882		15	160	17,6	20,6	0,0900		35	180	18,4		21,4	0,0972	50		195	19,1	22,1	0,1026	60	205	19,5			22,5	0,1062	70	230	20,6	23,6		0,1152	80	280	22,8	25,8	0,1332	90	235	20,8			23,8	0,1170	110	255	21,7	24,7	0,1242	135	280		22,8	25,8	0,1332	225 x	180	235	27,1			30,1	0,1692	BFL	280	-	130	17,8		20,8	0,1012	BFL	-	-	9,8	11,5	0,0246	-	-		10,3	12	0,0287	-	-	10,8	12,5	0,0338	-	5	11,4	13,1	0,0390	-		20	12,1	13,8	0,0451	-		30		12,5	14,2		0,0492	-		37	12,9	14,6		0,0523			-		57	13,8			15,5		0,0605			-	80	14,8				16,5	0,0697		-	105			15,9	18,9	0,0800	-		130	17	20		0,0902	10		155	17,4	20,4	0,0882	15		160	17,6		20,6	0,0900	35		180	18,4	21,4	0,0972	50	195		19,1		22,1	0,1026	60	205	19,5		22,5	0,1062	70	230	20,6	23,6	0,1152	80		280		22,8	25,8	0,1332	90	235	20,8	23,8		0,1170	110	255	21,7	24,7	0,1242	135	280		22,8		25,8	0,1332	225 x	180	235	27,1		30,1	0,1692	BFL	280	-	155	18,9	21,9	0,1127			BFL	-	-	9,8	11,5	0,0246	-		-	10,3	12	0,0287	-	-	10,8	12,5		0,0338	-	5	11,4	13,1	0,0390	-	20	12,1	13,8	0,0451		-	30	12,5	14,2	0,0492		-		37	12,9		14,6	0,0523		-	57		13,8	15,5			0,0605		-			80	14,8	16,5				0,0697	-		105	15,9		18,9			0,0800	-	130	17	20	0,0902			10	155	17,4	20,4		0,0882	15		160	17,6		20,6	0,0900	35	180	18,4		21,4	0,0972	50		195	19,1		22,1	0,1026	60	205	19,5		22,5	0,1062		70	230	20,6		23,6	0,1152	80	280	22,8		25,8	0,1332		90	235	20,8		23,8	0,1170	110	255		21,7	24,7	0,1242		135	280	22																																																																																																																																																	
	-	-	10,3	12		0,0297		-	5		10,9		12,6	0,0396		-			20		11,5			13,2		0,0342			-		30			12	13,7				0,0432	-		37	12,3				14	0,0459	-	57	13,1				14,8	0,0531	-	80	14,1				15,8	0,0612	-	105	15,2				18,2	0,0702	-	130	16,3				19,3	0,0792	10	155	17,4				20,4	0,0882	15	160	17,6			20,6	0,0900	35	180	18,4		21,4	0,0972	50	195	19,1	22,1	0,1026	60	205	19,5	22,5	0,1062	250 x	70	230	20,6	23,6		0,1152	BFL	250	-	5		11,9	13,6	0,0437	BFL	80	280		22,8	25,8	0,1332	90	235		20,8	23,8	0,1170	110		255		21,7	24,7		0,1242		135	280		22,8				25,8	0,1332		15		160		17,6		20,6	0,0900	35	180		18,4	21,4		0,0972	50	195	19,1	22,1	0,1026	60	205	19,5	22,5	0,1062	70	230	20,6	23,6	0,1152	80	280	22,8	25,8	0,1332	90	235	20,8	23,8	0,1170	110	255	21,7	24,7	0,1242	135	280	22,8	25,8	0,1332	280 x	180	235	27,1	30,1		0,1692	BFL	280	-	20		12,6	14,3	0,0506	BFL	-	-		9,8	11,5	0,0246	-	-	10,3	12	0,0287		-	-	10,8	12,5		0,0338		-	5		11,4		13,1	0,0390		-			20		12,1			13,8		0,0451			-		30			12,5	14,2				0,0492	-		37	12,9				14,6	0,0523	-	57	13,8				15,5	0,0605	-	80	14,8				16,5	0,0697	-	105	15,9				18,9	0,0800	-	130	17				20	0,0902	10	155	17,4			20,4	0,0882	15	160	17,6		20,6	0,0900	35	180	18,4	21,4	0,0972	50	195	19,1	22,1	0,1026	60	205	19,5	22,5	0,1062	70	230	20,6	23,6	0,1152	80	280	22,8	25,8	0,1332	90	235	20,8	23,8	0,1170	110	255	21,7	24,7	0,1242	135	280	22,8	25,8	0,1332	225 x	180		235	27,1	30,1	0,1692	BFL		280	-	30	13,1	14,8	0,0552		BFL	-	-	9,8	11,5	0,0246	-	-	10,3	12	0,0287		-	-	10,8	12,5		0,0338		-	5		11,4		13,1	0,0390		-			20		12,1			13,8		0,0451			-		30			12,5	14,2				0,0492	-		37	12,9				14,6	0,0523	-	57	13,8				15,5	0,0605	-	80	14,8				16,5	0,0697	-	105	15,9			18,9		0,0800	-	130	17	20		0,0902		10	155	17,4	20,4	0,0882	15	160		17,6	20,6	0,0900		35	180	18,4		21,4	0,0972	50	195	19,1	22,1	0,1026	60	205		19,5	22,5	0,1062	70	230	20,6	23,6	0,1152	80	280	22,8	25,8	0,1332	90	235	20,8	23,8	0,1170	110	255	21,7	24,7	0,1242	135	280	22,8	25,8		0,1332	225 x	180	235	27,1		30,1	0,1692	BFL	280	-	37		13,4	15,1	0,0587	BFL	-	-	9,8	11,5	0,0246	-	-	10,3	12	0,0287		-	-	10,8	12,5		0,0338		-	5		11,4		13,1	0,0390		-			20		12,1			13,8		0,0451			-		30			12,5	14,2				0,0492	-		37	12,9				14,6	0,0523	-	57	13,8				15,5	0,0605	-	80	14,8			16,5	0,0697	-	105	15,9		18,9	0,0800	-	130		17	20		0,0902	10	155	17,4	20,4		0,0882	15	160	17,6		20,6	0,0900	35		180	18,4	21,4	0,0972	50	195		19,1	22,1		0,1026	60	205	19,5		22,5	0,1062	70	230	20,6	23,6	0,1152	80	280	22,8	25,8	0,1332		90	235	20,8	23,8	0,1170	110	255	21,7	24,7	0,1242	135		280	22,8	25,8	0,1332	225 x		180	235	27,1	30,1	0,1692	BFL		280	-	57	14,4	16,1	0,0679	BFL	-	-	9,8	11,5	0,0246	-	-	10,3	12		0,0287	-	-	10,8		12,5	0,0338		-	5		11,4		13,1	0,0390		-			20		12,1			13,8		0,0451			-		30			12,5	14,2				0,0492	-		37	12,9			14,6		0,0523	-	57	13,8		15,5		0,0605	-	80	14,8	16,5	0,0697		-	105		15,9	18,9	0,0800		-	130	17	20	0,0902		10	155	17,4		20,4	0,0882	15		160	17,6	20,6	0,0900	35		180	18,4	21,4		0,0972	50	195		19,1	22,1	0,1026	60	205	19,5	22,5		0,1062	70		230	20,6	23,6	0,1152	80	280	22,8		25,8	0,1332	90	235	20,8	23,8	0,1170	110	255	21,7			24,7	0,1242	135	280	22,8		25,8	0,1332	225 x	180	235	27,1		30,1	0,1692	BFL	280	-	80	15,4	17,1	0,0782	BFL	-	-	9,8	11,5	0,0246	-	-		10,3	12	0,0287	-	-		10,8	12,5		0,0338	-		5		11,4	13,1	0,0390		-			20		12,1			13,8		0,0451			-		30			12,5	14,2			0,0492		-		37	12,9		14,6		0,0523	-	57	13,8	15,5		0,0605	-		80	14,8	16,5		0,0697	-	105	15,9	18,9		0,0800	-		130	17	20	0,0902		10	155	17,4	20,4		0,0882	15	160		17,6	20,6		0,0900	35	180	18,4	21,4	0,0972	50	195	19,1			22,1	0,1026	60	205	19,5	22,5	0,1062		70	230	20,6	23,6	0,1152	80	280	22,8	25,8			0,1332	90	235	20,8	23,8	0,1170		110	255		21,7	24,7	0,1242		135	280	22,8	25,8	0,1332	225 x			180	235	27,1	30,1	0,1692	BFL	280	-	105	16,6	19,6	0,0897	BFL	-	-	9,8	11,5	0,0246	-		-	10,3	12	0,0287	-	-		10,8		12,5	0,0338		-	5		11,4	13,1		0,0390			-	20		12,1			13,8		0,0451			-		30			12,5	14,2			0,0492	-		37		12,9	14,6	0,0523		-	57		13,8	15,5	0,0605	-	80		14,8	16,5	0,0697		-	105		15,9	18,9	0,0800	-	130		17	20	0,0902		10	155	17,4		20,4	0,0882	15	160	17,6	20,6	0,0900			35	180	18,4	21,4	0,0972	50		195	19,1	22,1	0,1026	60	205	19,5	22,5	0,1062			70	230	20,6	23,6	0,1152	80	280	22,8	25,8		0,1332	90	235		20,8	23,8	0,1170			110	255		21,7	24,7	0,1242	135		280	22,8		25,8	0,1332	225 x	180	235	27,1	30,1		0,1692	BFL	280	-	130	17,8	20,8	0,1012	BFL	-	-	9,8	11,5	0,0246		-	-	10,3	12	0,0287		-		-	10,8		12,5	0,0338		-	5	11,4		13,1			0,0390		-	20			12,1		13,8			0,0451	-	30				12,5	14,2		0,0492	-			37	12,9	14,6	0,0523		-	57	13,8		15,5	0,0605		-	80	14,8	16,5	0,0697		-	105		15,9	18,9	0,0800		-	130	17	20	0,0902	10		155		17,4	20,4	0,0882	15	160		17,6	20,6	0,0900	35	180	18,4	21,4	0,0972		50		195	19,1	22,1	0,1026	60	205	19,5		22,5	0,1062	70	230	20,6	23,6	0,1152	80		280		22,8	25,8		0,1332	90	235		20,8	23,8		0,1170	110	255	21,7	24,7	0,1242				135	280	22,8	25,8	0,1332	225 x		180	235	27,1	30,1	0,1692	BFL	280	-		155	18,9	21,9	0,1127	BFL	-	-	9,8	11,5	0,0246	-		-	10,3	12	0,0287	-		-		10,8	12,5		0,0338	-		5	11,4		13,1	0,0390			-		20			12,1	13,8	0,0451				-	30		12,5	14,2		0,0492			-	37	12,9	14,6	0,0523	-			57	13,8	15,5	0,0605		-	80		14,8	16,5		0,0697	-	105	15,9	18,9		0,0800	-	130		17	20		0,0902	10	155	17,4	20,4		0,0882	15		160	17,6	20,6		0,0900	35	180	18,4	21,4		0,0972	50		195	19,1	22,1		0,1026	60	205	19,5		22,5	0,1062	70		230	20,6	23,6		0,1152	80	280	22,8		25,8	0,1332	90		235	20,8		23,8	0,1170	110	255	21,7	24,7	0,1242		135	280	22																																																																																																																									
	-	5	10,9	12,6		0,0396		-	20		11,5		13,2	0,0342		-			30		12			13,7		0,0432			-		37			12,3	14				0,0459	-		57	13,1				14,8	0,0531	-	80	14,1				15,8	0,0612	-	105	15,2				18,2	0,0702	-	130	16,3				19,3	0,0792	10	155	17,4				20,4	0,0882	15	160	17,6			20,6	0,0900	35	180	18,4	21,4	0,0972		50	195	19,1	22,1	0,1026	60	205	19,5	22,5	0,1062	250 x	70	230	20,6	23,6	0,1152	BFL	250		-	5	11,9	13,6		0,0437		BFL	80	280		22,8	25,8	0,1332		90	235		20,8	23,8	0,1170	110	255		21,7	24,7	0,1242	135		280		22,8	25,8		0,1332		15	160		17,6			20,6	0,0900	35		180		18,4	21,4	0,0972		50	195	19,1	22,1		0,1026	60	205	19,5	22,5	0,1062	70	230	20,6	23,6	0,1152	80	280	22,8	25,8	0,1332	90	235	20,8	23,8	0,1170	110	255	21,7	24,7	0,1242	135	280	22,8	25,8	0,1332	280 x	180	235	27,1	30,1	0,1692	BFL	280		-	20	12,6	14,3		0,0506		BFL	-	-		9,8	11,5	0,0246		-	-		10,3	12	0,0287	-	-	10,8	12,5	0,0338		-	5	11,4	13,1		0,0390		-	20		12,1		13,8	0,0451		-			30		12,5			14,2		0,0492			-		37			12,9	14,6				0,0523	-		57	13,8				15,5	0,0605	-	80	14,8				16,5	0,0697	-	105	15,9				18,9	0,0800	-	130	17				20	0,0902	10	155	17,4			20,4	0,0882	15	160	17,6	20,6	0,0900		35	180	18,4	21,4	0,0972	50	195	19,1	22,1	0,1026	60	205	19,5	22,5	0,1062	70	230	20,6	23,6	0,1152	80	280	22,8	25,8	0,1332	90	235	20,8	23,8	0,1170	110	255	21,7	24,7	0,1242	135	280	22,8	25,8	0,1332	225 x	180	235	27,1	30,1	0,1692	BFL	280		-		30	13,1	14,8	0,0552			BFL	-	-	9,8	11,5	0,0246			-	-	10,3	12	0,0287	-	-	10,8	12,5	0,0338		-	5	11,4	13,1		0,0390		-	20		12,1		13,8	0,0451		-			30		12,5			14,2		0,0492			-		37			12,9	14,6				0,0523	-		57	13,8				15,5	0,0605	-	80	14,8				16,5	0,0697	-	105	15,9				18,9	0,0800	-	130	17			20		0,0902	10	155	17,4	20,4		0,0882		15	160	17,6	20,6	0,0900	35	180	18,4	21,4	0,0972	50		195	19,1	22,1	0,1026	60	205	19,5	22,5	0,1062	70	230	20,6	23,6	0,1152	80	280	22,8	25,8	0,1332	90	235	20,8	23,8	0,1170	110	255	21,7	24,7	0,1242	135	280	22,8	25,8	0,1332	225 x	180	235	27,1	30,1	0,1692	BFL		280		-	37	13,4		15,1	0,0587		BFL	-	-		9,8	11,5	0,0246		-	-	10,3	12	0,0287	-	-	10,8	12,5	0,0338		-	5	11,4	13,1		0,0390		-	20		12,1		13,8	0,0451		-			30		12,5			14,2		0,0492			-		37			12,9	14,6				0,0523	-		57	13,8				15,5	0,0605	-	80	14,8				16,5	0,0697	-	105	15,9			18,9	0,0800	-	130	17		20	0,0902	10	155		17,4	20,4		0,0882	15	160	17,6	20,6		0,0900	35	180	18,4		21,4	0,0972	50		195	19,1	22,1	0,1026	60	205	19,5	22,5	0,1062		70	230	20,6	23,6	0,1152	80	280	22,8	25,8	0,1332	90	235	20,8	23,8	0,1170	110	255	21,7	24,7	0,1242	135	280	22,8	25,8	0,1332	225 x	180	235	27,1		30,1	0,1692	BFL	280			-	57	14,4	16,1	0,0679			BFL	-	-	9,8	11,5	0,0246		-	-	10,3	12	0,0287	-	-	10,8	12,5		0,0338	-	5	11,4		13,1	0,0390		-	20		12,1		13,8	0,0451		-			30		12,5			14,2		0,0492			-		37			12,9	14,6				0,0523	-		57	13,8			15,5		0,0605	-	80	14,8		16,5		0,0697	-	105	15,9	18,9	0,0800		-	130		17	20	0,0902		10	155	17,4	20,4	0,0882		15	160	17,6		20,6	0,0900	35		180	18,4	21,4	0,0972	50		195	19,1	22,1		0,1026	60	205		19,5	22,5	0,1062	70	230	20,6	23,6	0,1152	80	280		22,8	25,8	0,1332	90	235	20,8	23,8	0,1170	110	255	21,7	24,7	0,1242	135	280	22,8	25,8	0,1332		225 x	180	235	27,1	30,1	0,1692		BFL	280		-	80	15,4		17,1	0,0782		BFL	-	-	9,8	11,5	0,0246		-	-	10,3	12	0,0287	-	-		10,8	12,5	0,0338	-	5		11,4	13,1		0,0390	-		20		12,1	13,8	0,0451		-			30		12,5			14,2		0,0492			-		37			12,9	14,6			0,0523		-		57	13,8		15,5		0,0605	-	80	14,8	16,5		0,0697	-		105	15,9	18,9		0,0800	-	130	17	20		0,0902	10		155	17,4	20,4	0,0882		15	160	17,6	20,6		0,0900	35	180		18,4	21,4		0,0972	50	195	19,1	22,1	0,1026	60	205	19,5			22,5	0,1062	70	230	20,6	23,6	0,1152		80	280	22,8	25,8	0,1332	90	235	20,8	23,8		0,1170	110	255	21,7	24,7	0,1242	135		280	22,8	25,8	0,1332	225 x	180		235	27,1	30,1	0,1692	BFL		280		-	105	16,6	19,6	0,0897		BFL	-	-	9,8	11,5	0,0246		-	-	10,3	12	0,0287	-		-	10,8	12,5	0,0338	-	5		11,4		13,1	0,0390		-	20		12,1	13,8		0,0451			-	30		12,5			14,2		0,0492			-		37			12,9	14,6			0,0523	-		57		13,8	15,5	0,0605		-	80		14,8	16,5	0,0697	-	105		15,9	18,9	0,0800		-	130		17	20	0,0902	10	155		17,4	20,4	0,0882		15	160	17,6		20,6	0,0900	35	180	18,4	21,4	0,0972			50	195	19,1	22,1	0,1026	60		205	19,5	22,5	0,1062	70	230	20,6	23,6	0,1152			80	280	22,8	25,8	0,1332	90	235	20,8	23,8		0,1170	110	255		21,7	24,7	0,1242		135	280	22,8		25,8	0,1332	225 x	180	235	27,1	30,1		0,1692	BFL		280	-	130	17,8	20,8	0,1012		BFL	-	-	9,8	11,5	0,0246		-	-	10,3	12	0,0287		-	-	10,8	12,5	0,0338		-		5	11,4		13,1	0,0390		-	20	12,1		13,8			0,0451		-	30			12,5		14,2			0,0492	-	37				12,9	14,6		0,0523	-			57	13,8	15,5	0,0605		-	80	14,8		16,5	0,0697		-	105	15,9	18,9	0,0800		-	130		17	20	0,0902		10	155	17,4	20,4	0,0882	15		160		17,6	20,6	0,0900	35	180		18,4	21,4	0,0972	50	195	19,1	22,1	0,1026		60		205	19,5	22,5	0,1062	70	230	20,6		23,6	0,1152	80	280	22,8	25,8	0,1332	90		235		20,8	23,8		0,1170	110	255		21,7	24,7		0,1242	135	280	22,8	25,8	0,1332		225 x		180	235	27,1	30,1	0,1692		BFL	280	-	155	18,9	21,9		0,1127	BFL	-	-	9,8	11,5	0,0246		-	-	10,3	12	0,0287	-		-	10,8	12,5	0,0338	-		5		11,4	13,1		0,0390	-		20	12,1		13,8	0,0451			-		30			12,5	14,2	0,0492				-	37		12,9	14,6		0,0523			-	57	13,8	15,5	0,0605	-			80	14,8	16,5	0,0697		-	105		15,9	18,9		0,0800	-	130	17	20		0,0902	10	155		17,4	20,4		0,0882	15	160	17,6	20,6		0,0900	35		180	18,4	21,4		0,0972	50	195	19,1	22,1		0,1026	60		205	19,5	22,5		0,1062	70	230	20,6		23,6	0,1152	80		280	22,8	25,8		0,1332	90	235	20,8	23,8	0,1170	110	255		21,7	24,7	0,1242	135	280	22																																																																																																																																	
	-	20	11,5	13,2		0,0342		-	30		12		13,7	0,0432		-			37		12,3			14		0,0459			-		57			13,1	14,8				0,0531	-		80	14,1				15,8	0,0612	-	105	15,2				18,2	0,0702	-	130	16,3				19,3	0,0792	10	155	17,4				20,4	0,0882	15	160	17,6			20,6	0,0900	35	180	18,4	21,4	0,0972		50	195	19,1	22,1	0,1026	60	205	19,5	22,5	0,1062	250 x	70	230	20,6	23,6	0,1152	BFL	250		-	5	11,9	13,6	0,0437		BFL		80	280	22,8	25,8		0,1332			90	235		20,8	23,8	0,1170		110	255		21,7	24,7	0,1242	135	280		22,8	25,8	0,1332	15		160		17,6	20,6		0,0900		35	180	18,4	21,4			0,0972	50	195	19,1	22,1		0,1026	60	205		19,5	22,5	0,1062	70	230	20,6	23,6	0,1152	80	280	22,8	25,8	0,1332	90	235	20,8	23,8	0,1170	110	255	21,7	24,7	0,1242	135	280	22,8	25,8	0,1332	280 x	180	235	27,1	30,1	0,1692	BFL	280		-	20	12,6	14,3	0,0506		BFL		-	-	9,8	11,5		0,0246			-	-		10,3	12	0,0287		-	-		10,8	12,5	0,0338	-	5	11,4	13,1	0,0390		-	20	12,1	13,8		0,0451		-	30		12,5		14,2	0,0492		-			37		12,9			14,6		0,0523			-		57			13,8	15,5				0,0605	-		80	14,8				16,5	0,0697	-	105	15,9				18,9	0,0800	-	130	17				20	0,0902	10	155	17,4			20,4	0,0882	15	160	17,6	20,6	0,0900		35	180	18,4	21,4	0,0972	50	195	19,1	22,1	0,1026	60	205	19,5	22,5	0,1062	70	230	20,6	23,6	0,1152	80	280	22,8	25,8	0,1332	90	235	20,8	23,8	0,1170	110	255	21,7	24,7	0,1242	135	280	22,8	25,8	0,1332	225 x	180	235	27,1	30,1	0,1692	BFL	280		-	30	13,1	14,8	0,0552		BFL		-		-	9,8	11,5	0,0246				-	-	10,3	12	0,0287			-	-	10,8	12,5	0,0338	-	5	11,4	13,1	0,0390		-	20	12,1	13,8		0,0451		-	30		12,5		14,2	0,0492		-			37		12,9			14,6		0,0523			-		57			13,8	15,5				0,0605	-		80	14,8				16,5	0,0697	-	105	15,9				18,9	0,0800	-	130	17				20	0,0902	10	155	17,4			20,4	0,0882	15	160	17,6	20,6	0,0900		35	180	18,4	21,4	0,0972	50	195	19,1	22,1	0,1026	60	205	19,5	22,5	0,1062	70	230	20,6	23,6	0,1152	80	280	22,8	25,8	0,1332	90	235	20,8	23,8	0,1170	110	255	21,7	24,7	0,1242	135	280	22,8	25,8	0,1332	225 x	180	235	27,1	30,1	0,1692	BFL	280		-	37	13,4	15,1	0,0587			BFL		-	-	9,8		11,5	0,0246			-	-		10,3	12	0,0287		-	-	10,8	12,5	0,0338	-	5	11,4	13,1	0,0390		-	20	12,1	13,8		0,0451		-	30		12,5		14,2	0,0492		-			37		12,9			14,6		0,0523			-		57			13,8	15,5				0,0605	-		80	14,8				16,5	0,0697	-	105	15,9				18,9	0,0800	-	130	17			20	0,0902	10	155	17,4		20,4	0,0882	15	160		17,6	20,6		0,0900	35	180	18,4	21,4	0,0972	50	195	19,1	22,1		0,1026	60	205	19,5	22,5	0,1062	70	230	20,6	23,6	0,1152	80	280	22,8	25,8	0,1332	90	235	20,8	23,8	0,1170	110	255	21,7	24,7	0,1242	135	280	22,8	25,8	0,1332	225 x	180	235	27,1	30,1	0,1692	BFL	280		-	57	14,4		16,1	0,0679		BFL			-	-	9,8	11,5	0,0246				-	-	10,3	12	0,0287		-	-	10,8	12,5	0,0338	-	5	11,4	13,1		0,0390	-	20	12,1		13,8	0,0451		-	30		12,5		14,2	0,0492		-			37		12,9			14,6		0,0523			-		57			13,8	15,5				0,0605	-		80	14,8			16,5		0,0697	-	105	15,9		18,9		0,0800	-	130	17	20	0,0902		10	155		17,4	20,4	0,0882		15	160	17,6	20,6	0,0900		35	180	18,4		21,4	0,0972	50		195	19,1	22,1	0,1026	60	205	19,5	22,5	0,1062		70	230	20,6	23,6	0,1152	80	280	22,8	25,8	0,1332	90	235	20,8	23,8	0,1170	110	255	21,7	24,7	0,1242	135	280	22,8	25,8	0,1332	225 x	180	235	27,1	30,1	0,1692	BFL	280			-	80	15,4	17,1	0,0782			BFL		-	-	9,8		11,5	0,0246			-	-	10,3	12	0,0287		-	-	10,8	12,5	0,0338	-	5		11,4	13,1	0,0390	-	20		12,1	13,8		0,0451	-		30		12,5	14,2	0,0492		-			37		12,9			14,6		0,0523			-		57			13,8	15,5			0,0605		-		80	14,8		16,5		0,0697	-	105	15,9	18,9		0,0800	-		130	17	20		0,0902	10	155	17,4	20,4		0,0882	15		160	17,6	20,6	0,0900		35	180	18,4	21,4		0,0972	50	195		19,1	22,1		0,1026	60	205	19,5	22,5	0,1062	70	230	20,6	23,6		0,1152	80	280	22,8	25,8	0,1332	90	235	20,8	23,8	0,1170	110	255	21,7	24,7	0,1242	135	280	22,8	25,8	0,1332	225 x	180	235	27,1		30,1	0,1692	BFL	280		-		105	16,6	19,6	0,0897			BFL		-	-	9,8	11,5	0,0246			-	-	10,3	12	0,0287		-	-	10,8	12,5	0,0338	-		5	11,4	13,1	0,0390	-	20		12,1		13,8	0,0451		-	30		12,5	14,2		0,0492			-	37		12,9			14,6		0,0523			-		57			13,8	15,5			0,0605	-		80		14,8	16,5	0,0697		-	105		15,9	18,9	0,0800	-	130		17	20	0,0902		10	155		17,4	20,4	0,0882	15	160		17,6	20,6	0,0900		35	180	18,4		21,4	0,0972	50	195	19,1	22,1	0,1026			60	205	19,5	22,5	0,1062	70		230	20,6	23,6	0,1152	80	280	22,8	25,8	0,1332		90	235	20,8	23,8	0,1170	110	255	21,7	24,7	0,1242	135	280	22,8	25,8		0,1332	225 x	180	235	27,1	30,1	0,1692		BFL	280		-	130	17,8	20,8		0,1012			BFL	-	-	9,8	11,5	0,0246			-	-	10,3	12	0,0287		-	-	10,8	12,5	0,0338		-	5	11,4	13,1	0,0390		-		20	12,1		13,8	0,0451		-	30	12,5		14,2			0,0492		-	37			12,9		14,6			0,0523	-	57				13,8	15,5		0,0605	-			80	14,8	16,5	0,0697		-	105	15,9		18,9	0,0800		-	130	17	20	0,0902		10	155		17,4	20,4	0,0882		15	160	17,6	20,6	0,0900	35		180		18,4	21,4	0,0972	50	195		19,1	22,1	0,1026	60	205	19,5	22,5	0,1062		70		230	20,6	23,6	0,1152	80	280	22,8		25,8	0,1332	90	235	20,8	23,8	0,1170	110		255	21,7	24,7	0,1242		135	280	22,8	25,8	0,1332	225 x		180	235	27,1	30,1	0,1692	BFL	280			-	155	18,9	21,9	0,1127			BFL	-	-	9,8	11,5		0,0246		-	-	10,3	12	0,0287		-	-	10,8	12,5	0,0338	-		5	11,4	13,1	0,0390	-		20		12,1	13,8		0,0451	-		30	12,5		14,2	0,0492			-		37			12,9	14,6	0,0523				-	57		13,8	15,5		0,0605			-	80	14,8	16,5	0,0697	-			105	15,9	18,9	0,0800		-	130		17	20		0,0902	10	155	17,4	20,4		0,0882	15	160		17,6	20,6		0,0900	35	180	18,4	21,4		0,0972	50		195	19,1	22,1		0,1026	60	205	19,5	22,5		0,1062	70		230	20,6	23,6		0,1152	80	280	22,8	25,8	0,1332	90	235		20,8	23,8	0,1170	110	255	21,7	24,7	0,1242	135	280	22																																																																																																																																									
	-	30	12	13,7		0,0432		-	37		12,3		14	0,0459		-			57		13,1			14,8		0,0531			-		80			14,1	15,8				0,0612	-		105	15,2				18,2	0,0702	-	130	16,3				19,3	0,0792	10	155	17,4				20,4	0,0882	15	160	17,6			20,6	0,0900	35	180	18,4	21,4	0,0972		50	195	19,1	22,1	0,1026	60	205	19,5	22,5	0,1062	250 x	70	230	20,6	23,6	0,1152	BFL	250		-	5	11,9	13,6	0,0437		BFL		80	280	22,8	25,8	0,1332				90	235	20,8	23,8		0,1170			110	255		21,7	24,7	0,1242		135	280		22,8	25,8	0,1332	15	160		17,6	20,6	0,0900	35		180		18,4	21,4	0,0972	50		195	19,1	22,1	0,1026	60		205	19,5	22,5	0,1062	70		230	20,6	23,6	0,1152	80	280	22,8	25,8	0,1332	90	235	20,8	23,8	0,1170	110	255	21,7	24,7	0,1242	135	280	22,8	25,8	0,1332	280 x	180	235	27,1	30,1	0,1692	BFL	280		-	20	12,6	14,3	0,0506		BFL		-	-	9,8	11,5	0,0246				-	-	10,3	12		0,0287			-	-		10,8	12,5	0,0338		-	5		11,4	13,1	0,0390	-	20	12,1	13,8	0,0451		-	30	12,5	14,2		0,0492		-	37		12,9		14,6	0,0523		-			57		13,8			15,5		0,0605			-		80			14,8	16,5				0,0697	-		105	15,9				18,9	0,0800	-	130	17				20	0,0902	10	155	17,4			20,4	0,0882	15	160	17,6	20,6	0,0900		35	180	18,4	21,4	0,0972	50	195	19,1	22,1	0,1026	60	205	19,5	22,5	0,1062	70	230	20,6	23,6	0,1152	80	280	22,8	25,8	0,1332	90	235	20,8	23,8	0,1170	110	255	21,7	24,7	0,1242	135	280	22,8	25,8	0,1332	225 x	180	235	27,1	30,1	0,1692	BFL	280		-	30	13,1	14,8	0,0552		BFL		-	-	9,8	11,5	0,0246				-		-	10,3	12	0,0287				-	-	10,8	12,5	0,0338			-	5	11,4	13,1	0,0390	-	20	12,1	13,8	0,0451		-	30	12,5	14,2		0,0492		-	37		12,9		14,6	0,0523		-			57		13,8			15,5		0,0605			-		80			14,8	16,5				0,0697	-		105	15,9				18,9	0,0800	-	130	17				20	0,0902	10	155	17,4			20,4	0,0882	15	160	17,6	20,6	0,0900		35	180	18,4	21,4	0,0972	50	195	19,1	22,1	0,1026	60	205	19,5	22,5	0,1062	70	230	20,6	23,6	0,1152	80	280	22,8	25,8	0,1332	90	235	20,8	23,8	0,1170	110	255	21,7	24,7	0,1242	135	280	22,8	25,8	0,1332	225 x	180	235	27,1	30,1	0,1692	BFL	280		-	37	13,4	15,1	0,0587		BFL		-	-	9,8	11,5	0,0246					-	-	10,3		12	0,0287			-	-		10,8	12,5	0,0338		-	5	11,4	13,1	0,0390	-	20	12,1	13,8	0,0451		-	30	12,5	14,2		0,0492		-	37		12,9		14,6	0,0523		-			57		13,8			15,5		0,0605			-		80			14,8	16,5				0,0697	-		105	15,9				18,9	0,0800	-	130	17				20	0,0902	10	155	17,4			20,4	0,0882	15	160	17,6	20,6	0,0900	35	180	18,4		21,4	0,0972	50	195	19,1	22,1	0,1026	60	205	19,5	22,5	0,1062	70	230	20,6	23,6	0,1152	80	280	22,8	25,8	0,1332	90	235	20,8	23,8	0,1170	110	255	21,7	24,7	0,1242	135	280	22,8	25,8	0,1332	225 x	180	235	27,1	30,1	0,1692	BFL	280		-	57	14,4	16,1	0,0679		BFL		-	-	9,8		11,5	0,0246					-	-	10,3	12	0,0287				-	-	10,8	12,5	0,0338		-	5	11,4	13,1	0,0390	-	20	12,1	13,8		0,0451	-	30	12,5		14,2	0,0492		-	37		12,9		14,6	0,0523		-			57		13,8			15,5		0,0605			-		80			14,8	16,5				0,0697	-		105	15,9			18,9		0,0800	-	130	17		20		0,0902	10	155	17,4	20,4	0,0882		15	160		17,6	20,6	0,0900		35	180	18,4	21,4	0,0972	50	195	19,1	22,1		0,1026	60	205	19,5	22,5	0,1062	70	230	20,6	23,6	0,1152	80	280	22,8	25,8	0,1332	90	235	20,8	23,8	0,1170	110	255	21,7	24,7	0,1242	135	280	22,8	25,8	0,1332	225 x	180	235	27,1	30,1	0,1692	BFL	280		-	80	15,4	17,1	0,0782		BFL			-	-	9,8	11,5	0,0246					-	-	10,3		12	0,0287			-	-	10,8	12,5	0,0338		-	5	11,4	13,1	0,0390	-	20		12,1	13,8	0,0451	-	30		12,5	14,2		0,0492	-		37		12,9	14,6	0,0523		-			57		13,8			15,5		0,0605			-		80			14,8	16,5			0,0697		-		105	15,9		18,9		0,0800	-	130	17	20		0,0902	10		155	17,4	20,4		0,0882	15	160	17,6	20,6		0,0900	35		180	18,4	21,4	0,0972		50	195	19,1	22,1	0,1026	60	205	19,5		22,5	0,1062	70	230	20,6	23,6	0,1152	80	280	22,8	25,8	0,1332	90	235	20,8	23,8	0,1170	110	255	21,7	24,7	0,1242	135	280	22,8	25,8	0,1332	225 x	180	235	27,1	30,1	0,1692	BFL	280		-	105	16,6		19,6	0,0897		BFL		-		-	9,8	11,5	0,0246					-	-	10,3	12	0,0287			-	-	10,8	12,5	0,0338		-	5	11,4	13,1	0,0390	-		20	12,1	13,8	0,0451	-	30		12,5		14,2	0,0492		-	37		12,9	14,6		0,0523			-	57		13,8			15,5		0,0605			-		80			14,8	16,5			0,0697	-		105		15,9	18,9	0,0800		-	130		17	20	0,0902	10	155		17,4	20,4	0,0882		15	160		17,6	20,6	0,0900	35	180		18,4	21,4	0,0972		50	195	19,1		22,1	0,1026	60	205	19,5	22,5	0,1062	70		230	20,6	23,6	0,1152	80	280	22,8	25,8	0,1332	90	235	20,8	23,8	0,1170	110	255	21,7	24,7	0,1242	135	280	22,8	25,8	0,1332	225 x	180	235	27,1	30,1	0,1692	BFL		280		-	130	17,8	20,8	0,1012			BFL		-	-	9,8	11,5		0,0246				-	-	10,3	12	0,0287			-	-	10,8	12,5	0,0338		-	5	11,4	13,1	0,0390		-	20	12,1	13,8	0,0451		-		30	12,5		14,2	0,0492		-	37	12,9		14,6			0,0523		-	57			13,8		15,5			0,0605	-	80				14,8	16,5		0,0697	-			105	15,9	18,9	0,0800		-	130	17		20	0,0902		10	155	17,4	20,4	0,0882		15	160		17,6	20,6	0,0900		35	180	18,4	21,4	0,0972	50		195		19,1	22,1	0,1026	60	205		19,5	22,5	0,1062	70	230	20,6	23,6	0,1152		80	280	22,8	25,8	0,1332	90	235	20,8	23,8	0,1170	110	255	21,7	24,7	0,1242	135	280	22,8	25,8	0,1332	225 x	180	235		27,1	30,1	0,1692	BFL	280			-	155	18,9	21,9	0,1127		BFL			-	-	9,8	11,5	0,0246				-	-	10,3	12		0,0287		-	-	10,8	12,5	0,0338		-	5	11,4	13,1	0,0390	-		20	12,1	13,8	0,0451	-		30		12,5	14,2		0,0492	-		37	12,9		14,6	0,0523			-		57			13,8	15,5	0,0605				-	80		14,8	16,5		0,0697			-	105	15,9	18,9	0,0800	-			130	17	20	0,0902		10	155		17,4	20,4		0,0882	15	160	17,6	20,6		0,0900	35	180		18,4	21,4		0,0972	50	195	19,1	22,1		0,1026	60		205	19,5	22,5		0,1062	70	230	20,6	23,6	0,1152	80	280		22,8	25,8	0,1332	90	235	20,8	23,8	0,1170	110	255	21,7	24,7	0,1242	135	280	22																																																																																																																																																	
	-	37	12,3	14		0,0459		-	57		13,1		14,8	0,0531		-			80		14,1			15,8		0,0612			-		105			15,2	18,2				0,0702	-		130	16,3				19,3	0,0792	10	155	17,4				20,4	0,0882	15	160	17,6			20,6	0,0900	35	180	18,4	21,4	0,0972		50	195	19,1	22,1	0,1026	60	205	19,5	22,5	0,1062	250 x	70	230	20,6	23,6	0,1152	BFL	250		-	5	11,9	13,6	0,0437		BFL		80	280	22,8	25,8	0,1332				90	235	20,8	23,8	0,1170				110	255	21,7	24,7		0,1242			135	280		22,8	25,8	0,1332		15	160		17,6	20,6	0,0900	35	180		18,4	21,4	0,0972	50	195	19,1		22,1	0,1026	60	205	19,5	22,5	0,1062	70	230	20,6		23,6	0,1152	80	280	22,8	25,8	0,1332	90	235	20,8	23,8	0,1170	110	255	21,7	24,7	0,1242	135	280	22,8	25,8	0,1332	280 x	180	235	27,1	30,1	0,1692	BFL	280		-	20	12,6	14,3	0,0506		BFL		-	-	9,8	11,5	0,0246				-	-	10,3	12	0,0287				-	-	10,8	12,5		0,0338			-	5		11,4	13,1	0,0390		-	20		12,1	13,8	0,0451	-	30	12,5	14,2	0,0492		-	37	12,9	14,6		0,0523		-	57		13,8		15,5	0,0605		-			80		14,8			16,5		0,0697			-		105			15,9	18,9				0,0800	-		130	17				20	0,0902	10	155	17,4			20,4	0,0882	15	160	17,6	20,6	0,0900		35	180	18,4	21,4	0,0972	50	195	19,1	22,1	0,1026	60	205	19,5	22,5	0,1062	70	230	20,6	23,6	0,1152	80	280	22,8	25,8	0,1332	90	235	20,8	23,8	0,1170	110	255	21,7	24,7	0,1242	135	280	22,8	25,8	0,1332	225 x	180	235	27,1	30,1	0,1692	BFL	280		-	30	13,1	14,8	0,0552		BFL		-	-	9,8	11,5	0,0246				-	-	10,3	12	0,0287				-		-	10,8	12,5	0,0338				-	5	11,4	13,1	0,0390			-	20	12,1	13,8	0,0451	-	30	12,5	14,2	0,0492		-	37	12,9	14,6		0,0523		-	57		13,8		15,5	0,0605		-			80		14,8			16,5		0,0697			-		105			15,9	18,9				0,0800	-		130	17				20	0,0902	10	155	17,4			20,4	0,0882	15	160	17,6	20,6	0,0900		35	180	18,4	21,4	0,0972	50	195	19,1	22,1	0,1026	60	205	19,5	22,5	0,1062	70	230	20,6	23,6	0,1152	80	280	22,8	25,8	0,1332	90	235	20,8	23,8	0,1170	110	255	21,7	24,7	0,1242	135	280	22,8	25,8	0,1332	225 x	180	235	27,1	30,1	0,1692	BFL	280		-	37	13,4	15,1	0,0587		BFL		-	-	9,8	11,5	0,0246				-	-	10,3	12	0,0287					-	-	10,8		12,5	0,0338			-	5		11,4	13,1	0,0390		-	20	12,1	13,8	0,0451	-	30	12,5	14,2	0,0492		-	37	12,9	14,6		0,0523		-	57		13,8		15,5	0,0605		-			80		14,8			16,5		0,0697			-		105			15,9	18,9				0,0800	-		130	17				20	0,0902	10	155	17,4			20,4	0,0882	15	160	17,6	20,6		0,0900	35	180	18,4	21,4	0,0972	50	195	19,1	22,1	0,1026	60	205	19,5	22,5	0,1062	70	230	20,6	23,6	0,1152	80	280	22,8	25,8	0,1332	90	235	20,8	23,8	0,1170	110	255	21,7	24,7	0,1242	135	280	22,8	25,8	0,1332	225 x	180	235	27,1	30,1	0,1692	BFL	280		-	57	14,4	16,1	0,0679		BFL		-	-	9,8	11,5	0,0246				-	-	10,3		12	0,0287					-	-	10,8	12,5	0,0338				-	5	11,4	13,1	0,0390		-	20	12,1	13,8	0,0451	-	30	12,5	14,2		0,0492	-	37	12,9		14,6	0,0523		-	57		13,8		15,5	0,0605		-			80		14,8			16,5		0,0697			-		105			15,9	18,9				0,0800	-		130	17			20		0,0902	10	155	17,4		20,4		0,0882	15	160	17,6	20,6	0,0900	35	180	18,4		21,4	0,0972	50	195	19,1	22,1	0,1026	60	205	19,5	22,5	0,1062	70	230	20,6	23,6	0,1152	80	280	22,8	25,8	0,1332	90	235	20,8	23,8	0,1170	110	255	21,7	24,7	0,1242	135	280	22,8	25,8	0,1332	225 x	180	235	27,1	30,1	0,1692	BFL	280		-	80	15,4	17,1	0,0782		BFL		-	-	9,8	11,5	0,0246					-	-	10,3	12	0,0287					-	-	10,8		12,5	0,0338			-	5	11,4	13,1	0,0390		-	20	12,1	13,8	0,0451	-	30		12,5	14,2	0,0492	-	37		12,9	14,6		0,0523	-		57		13,8	15,5	0,0605		-			80		14,8			16,5		0,0697			-		105			15,9	18,9			0,0800		-		130	17		20		0,0902	10	155	17,4	20,4		0,0882	15		160	17,6	20,6		0,0900	35	180	18,4	21,4	0,0972	50	195		19,1	22,1	0,1026	60	205	19,5	22,5	0,1062	70	230	20,6	23,6	0,1152	80	280	22,8	25,8	0,1332	90	235	20,8	23,8	0,1170	110	255	21,7	24,7	0,1242	135	280	22,8	25,8	0,1332	225 x	180	235	27,1	30,1	0,1692	BFL	280		-	105	16,6	19,6	0,0897		BFL		-	-	9,8		11,5	0,0246				-		-	10,3	12	0,0287					-	-	10,8	12,5	0,0338			-	5	11,4	13,1	0,0390		-	20	12,1	13,8	0,0451	-		30	12,5	14,2	0,0492	-	37		12,9		14,6	0,0523		-	57		13,8	15,5		0,0605			-	80		14,8			16,5		0,0697			-		105			15,9	18,9			0,0800	-		130		17	20	0,0902		10	155		17,4	20,4	0,0882	15	160		17,6	20,6	0,0900		35	180		18,4	21,4	0,0972	50	195	19,1	22,1	0,1026	60		205	19,5	22,5	0,1062	70	230	20,6	23,6	0,1152	80	280	22,8	25,8	0,1332	90	235	20,8	23,8	0,1170	110	255	21,7	24,7	0,1242	135	280	22,8	25,8	0,1332	225 x	180	235	27,1	30,1	0,1692	BFL	280		-	130	17,8	20,8	0,1012			BFL		-	-	9,8	11,5	0,0246					-	-	10,3	12		0,0287				-	-	10,8	12,5	0,0338			-	5	11,4	13,1	0,0390		-	20	12,1	13,8	0,0451		-	30	12,5	14,2	0,0492		-		37	12,9		14,6	0,0523		-	57	13,8		15,5			0,0605		-	80			14,8		16,5			0,0697	-	105				15,9	18,9		0,0800	-			130	17	20	0,0902		10	155	17,4		20,4	0,0882		15	160	17,6	20,6	0,0900		35	180		18,4	21,4	0,0972		50	195	19,1	22,1	0,1026	60	205	19,5		22,5	0,1062	70	230	20,6	23,6	0,1152	80	280	22,8	25,8	0,1332	90	235	20,8	23,8	0,1170	110	255	21,7	24,7	0,1242	135	280	22,8	25,8	0,1332	225 x	180	235	27,1	30,1	0,1692	BFL	280		-	155		18,9	21,9	0,1127		BFL			-	-	9,8	11,5	0,0246					-	-	10,3	12	0,0287				-	-	10,8	12,5		0,0338		-	5	11,4	13,1	0,0390		-	20	12,1	13,8	0,0451	-		30	12,5	14,2	0,0492	-		37		12,9	14,6		0,0523	-		57	13,8		15,5	0,0605			-		80			14,8	16,5	0,0697				-	105		15,9	18,9		0,0800			-	130	17	20	0,0902	10			155	17,4	20,4	0,0882		15	160		17,6	20,6		0,0900	35	180	18,4	21,4		0,0972	50	195		19,1	22,1		0,1026	60	205	19,5	22,5	0,1062	70	230		20,6	23,6	0,1152	80	280	22,8	25,8	0,1332	90	235	20,8	23,8	0,1170	110	255	21,7	24,7	0,1242	135	280	22																																																																																																																																																									
	-	57	13,1	14,8		0,0531		-	80		14,1		15,8	0,0612		-			105		15,2			18,2		0,0702			-		130			16,3	19,3				0,0792	10		155	17,4				20,4	0,0882	15	160	17,6			20,6	0,0900	35	180	18,4	21,4	0,0972		50	195	19,1	22,1	0,1026	60	205	19,5	22,5	0,1062	250 x	70	230	20,6	23,6	0,1152	BFL	250		-	5	11,9	13,6	0,0437		BFL		80	280	22,8	25,8	0,1332				90	235	20,8	23,8	0,1170				110	255	21,7	24,7	0,1242				135	280	22,8	25,8		0,1332			15	160		17,6	20,6	0,0900		35	180		18,4	21,4	0,0972	50	195	19,1	22,1	0,1026	60	205	19,5	22,5	0,1062	70	230	20,6	23,6	0,1152	80	280	22,8	25,8	0,1332	90	235	20,8	23,8	0,1170	110	255	21,7	24,7	0,1242	135	280	22,8	25,8	0,1332	280 x	180	235	27,1	30,1	0,1692	BFL	280		-	20	12,6	14,3	0,0506		BFL		-	-	9,8	11,5	0,0246				-	-	10,3	12	0,0287				-	-	10,8	12,5	0,0338				-	5	11,4	13,1		0,0390			-	20		12,1	13,8	0,0451		-	30		12,5	14,2	0,0492	-	37	12,9	14,6	0,0523		-	57	13,8	15,5		0,0605		-	80		14,8		16,5	0,0697		-			105		15,9			18,9		0,0800			-		130			17	20				0,0902	10		155	17,4			20,4	0,0882	15	160	17,6	20,6	0,0900		35	180	18,4	21,4	0,0972	50	195	19,1	22,1	0,1026	60	205	19,5	22,5	0,1062	70	230	20,6	23,6	0,1152	80	280	22,8	25,8	0,1332	90	235	20,8	23,8	0,1170	110	255	21,7	24,7	0,1242	135	280	22,8	25,8	0,1332	225 x	180	235	27,1	30,1	0,1692	BFL	280		-	30	13,1	14,8	0,0552		BFL		-	-	9,8	11,5	0,0246				-	-	10,3	12	0,0287				-	-	10,8	12,5	0,0338				-		5	11,4	13,1	0,0390				-	20	12,1	13,8	0,0451			-	30	12,5	14,2	0,0492	-	37	12,9	14,6	0,0523		-	57	13,8	15,5		0,0605		-	80		14,8		16,5	0,0697		-			105		15,9			18,9		0,0800			-		130			17	20				0,0902	10		155	17,4			20,4	0,0882	15	160	17,6	20,6	0,0900		35	180	18,4	21,4	0,0972	50	195	19,1	22,1	0,1026	60	205	19,5	22,5	0,1062	70	230	20,6	23,6	0,1152	80	280	22,8	25,8	0,1332	90	235	20,8	23,8	0,1170	110	255	21,7	24,7	0,1242	135	280	22,8	25,8	0,1332	225 x	180	235	27,1	30,1	0,1692	BFL	280		-	37	13,4	15,1	0,0587		BFL		-	-	9,8	11,5	0,0246				-	-	10,3	12	0,0287				-	-	10,8	12,5	0,0338					-	5	11,4		13,1	0,0390			-	20		12,1	13,8	0,0451		-	30	12,5	14,2	0,0492	-	37	12,9	14,6	0,0523		-	57	13,8	15,5		0,0605		-	80		14,8		16,5	0,0697		-			105		15,9			18,9		0,0800			-		130			17	20				0,0902	10		155	17,4			20,4	0,0882	15	160	17,6	20,6	0,0900		35	180	18,4	21,4	0,0972	50	195	19,1	22,1	0,1026	60	205	19,5	22,5	0,1062	70	230	20,6	23,6	0,1152	80	280	22,8	25,8	0,1332	90	235	20,8	23,8	0,1170	110	255	21,7	24,7	0,1242	135	280	22,8	25,8	0,1332	225 x	180	235	27,1	30,1	0,1692	BFL	280		-	57	14,4	16,1	0,0679		BFL		-	-	9,8	11,5	0,0246				-	-	10,3	12	0,0287				-	-	10,8		12,5	0,0338					-	5	11,4	13,1	0,0390				-	20	12,1	13,8	0,0451		-	30	12,5	14,2	0,0492	-	37	12,9	14,6		0,0523	-	57	13,8		15,5	0,0605		-	80		14,8		16,5	0,0697		-			105		15,9			18,9		0,0800			-		130			17	20				0,0902	10		155	17,4			20,4	0,0882	15	160	17,6	20,6		0,0900	35	180	18,4	21,4	0,0972	50	195	19,1	22,1	0,1026	60	205	19,5	22,5	0,1062	70	230	20,6	23,6	0,1152	80	280	22,8	25,8	0,1332	90	235	20,8	23,8	0,1170	110	255	21,7	24,7	0,1242	135	280	22,8	25,8	0,1332	225 x	180	235	27,1	30,1	0,1692	BFL	280		-	80	15,4	17,1	0,0782		BFL		-	-	9,8	11,5	0,0246				-	-	10,3	12	0,0287					-	-	10,8	12,5	0,0338					-	5	11,4		13,1	0,0390			-	20	12,1	13,8	0,0451		-	30	12,5	14,2	0,0492	-	37		12,9	14,6	0,0523	-	57		13,8	15,5		0,0605	-		80		14,8	16,5	0,0697		-			105		15,9			18,9		0,0800			-		130			17	20			0,0902		10		155	17,4		20,4		0,0882	15	160	17,6	20,6	0,0900	35	180		18,4	21,4	0,0972	50	195	19,1	22,1	0,1026	60	205	19,5	22,5	0,1062	70	230	20,6	23,6	0,1152	80	280	22,8	25,8	0,1332	90	235	20,8	23,8	0,1170	110	255	21,7	24,7	0,1242	135	280	22,8	25,8	0,1332	225 x	180	235	27,1	30,1	0,1692	BFL	280		-	105	16,6	19,6	0,0897		BFL		-	-	9,8	11,5	0,0246				-	-	10,3		12	0,0287				-		-	10,8	12,5	0,0338					-	5	11,4	13,1	0,0390			-	20	12,1	13,8	0,0451		-	30	12,5	14,2	0,0492	-		37	12,9	14,6	0,0523	-	57		13,8		15,5	0,0605		-	80		14,8	16,5		0,0697			-	105		15,9			18,9		0,0800			-		130			17	20			0,0902	10		155		17,4	20,4	0,0882		15	160		17,6	20,6	0,0900	35	180	18,4	21,4	0,0972	50		195	19,1	22,1	0,1026	60	205	19,5	22,5	0,1062	70	230	20,6	23,6	0,1152	80	280	22,8	25,8	0,1332	90	235	20,8	23,8	0,1170	110	255	21,7	24,7	0,1242	135	280	22,8	25,8	0,1332	225 x	180	235	27,1	30,1	0,1692	BFL	280		-	130	17,8	20,8	0,1012		BFL		-	-	9,8	11,5	0,0246					-	-	10,3	12	0,0287					-	-	10,8	12,5		0,0338				-	5	11,4	13,1	0,0390			-	20	12,1	13,8	0,0451		-	30	12,5	14,2	0,0492		-	37	12,9	14,6	0,0523		-		57	13,8		15,5	0,0605		-	80	14,8		16,5			0,0697		-	105			15,9		18,9			0,0800	-	130				17	20		0,0902	10			155	17,4	20,4	0,0882		15	160	17,6		20,6	0,0900		35	180	18,4	21,4	0,0972	50	195	19,1		22,1	0,1026	60	205	19,5	22,5	0,1062	70	230	20,6	23,6	0,1152	80	280	22,8	25,8	0,1332	90	235	20,8	23,8	0,1170	110	255	21,7	24,7	0,1242	135	280	22,8	25,8	0,1332	225 x	180	235	27,1	30,1	0,1692	BFL	280		-	155	18,9	21,9	0,1127		BFL		-	-		9,8	11,5	0,0246					-	-	10,3	12	0,0287					-	-	10,8	12,5	0,0338				-	5	11,4	13,1		0,0390		-	20	12,1	13,8	0,0451		-	30	12,5	14,2	0,0492	-		37	12,9	14,6	0,0523	-		57		13,8	15,5		0,0605	-		80	14,8		16,5	0,0697			-		105			15,9	18,9	0,0800				-	130		17	20		0,0902			10	155	17,4	20,4	0,0882	15			160	17,6	20,6	0,0900		35	180		18,4	21,4		0,0972	50	195	19,1	22,1	0,1026	60	205	19,5		22,5	0,1062	70	230	20,6	23,6	0,1152	80	280	22,8	25,8	0,1332	90	235	20,8	23,8	0,1170	110	255	21,7	24,7	0,1242	135	280	22																																																																																																																																																																	
	-	80	14,1	15,8		0,0612		-	105		15,2		18,2	0,0702		-			130		16,3			19,3		0,0792			10		155			17,4	20,4				0,0882	15		160	17,6			20,6	0,0900	35	180	18,4	21,4	0,0972		50	195	19,1	22,1	0,1026	60	205	19,5	22,5	0,1062	250 x	70	230	20,6	23,6	0,1152	BFL	250		-	5	11,9	13,6	0,0437		BFL		80	280	22,8	25,8	0,1332				90	235	20,8	23,8	0,1170				110	255	21,7	24,7	0,1242				135	280	22,8	25,8	0,1332				15	160	17,6	20,6		0,0900			35	180		18,4	21,4	0,0972		50	195		19,1	22,1	0,1026	60	205	19,5	22,5	0,1062	70	230	20,6	23,6	0,1152	80	280	22,8	25,8	0,1332	90	235	20,8	23,8	0,1170	110	255	21,7	24,7	0,1242	135	280	22,8	25,8	0,1332	280 x	180	235	27,1	30,1		0,1692	BFL	280	-	20		12,6		14,3	0,0506	BFL	-	-				9,8	11,5	0,0246	-	-				10,3	12	0,0287	-	-				10,8	12,5	0,0338	-	5				11,4	13,1	0,0390	-		20			12,1	13,8		0,0451	-	30		12,5	14,2		0,0492	-	37	12,9	14,6	0,0523	-	57		13,8	15,5	0,0605	-		80		14,8	16,5		0,0697		-	105		15,9			18,9		0,0800			-		130			17		20			0,0902	10			155	17,4	20,4		0,0882	15	160		17,6	20,6	0,0900	35	180	18,4	21,4	0,0972	50	195	19,1	22,1	0,1026	60	205	19,5	22,5	0,1062	70	230	20,6	23,6	0,1152	80	280	22,8	25,8	0,1332	90	235	20,8	23,8	0,1170	110	255	21,7	24,7	0,1242	135	280	22,8	25,8	0,1332	225 x	180	235	27,1	30,1		0,1692	BFL	280	-	30		13,1		14,8	0,0552	BFL	-	-				9,8	11,5	0,0246	-	-				10,3	12	0,0287	-	-				10,8	12,5	0,0338	-	5				11,4		13,1	0,0390	-	20				12,1	13,8	0,0451	-	30			12,5	14,2	0,0492	-	37	12,9	14,6	0,0523	-	57		13,8	15,5	0,0605	-		80		14,8	16,5		0,0697		-	105		15,9			18,9		0,0800			-		130			17		20			0,0902	10			155	17,4	20,4		0,0882	15	160		17,6	20,6	0,0900	35	180	18,4	21,4	0,0972	50	195	19,1	22,1	0,1026	60	205	19,5	22,5	0,1062	70	230	20,6	23,6	0,1152	80	280	22,8	25,8	0,1332	90	235	20,8	23,8	0,1170	110	255	21,7	24,7	0,1242	135	280	22,8	25,8	0,1332	225 x	180	235	27,1	30,1		0,1692	BFL	280	-	37		13,4		15,1	0,0587	BFL	-	-				9,8	11,5	0,0246	-	-				10,3	12	0,0287	-	-				10,8	12,5	0,0338	-	5					11,4	13,1	0,0390		-	20			12,1	13,8		0,0451	-	30		12,5	14,2	0,0492	-	37	12,9	14,6	0,0523	-	57		13,8	15,5	0,0605	-		80		14,8	16,5		0,0697		-	105		15,9			18,9		0,0800			-		130			17		20			0,0902	10			155	17,4	20,4		0,0882	15	160		17,6	20,6	0,0900	35	180	18,4	21,4	0,0972	50	195	19,1	22,1	0,1026	60	205	19,5	22,5	0,1062	70	230	20,6	23,6	0,1152	80	280	22,8	25,8	0,1332	90	235	20,8	23,8	0,1170	110	255	21,7	24,7	0,1242	135	280	22,8	25,8	0,1332	225 x	180	235	27,1	30,1		0,1692	BFL	280	-	57		14,4		16,1	0,0679	BFL	-	-				9,8	11,5	0,0246	-	-				10,3	12	0,0287	-	-				10,8	12,5	0,0338		-	5					11,4	13,1	0,0390	-	20				12,1	13,8	0,0451	-	30		12,5	14,2	0,0492	-	37	12,9	14,6	0,0523	-		57	13,8	15,5	0,0605		-	80		14,8	16,5		0,0697		-	105		15,9			18,9		0,0800			-		130			17		20			0,0902	10			155	17,4	20,4		0,0882	15	160		17,6	20,6	0,0900	35	180	18,4	21,4	0,0972	50	195	19,1	22,1	0,1026	60	205	19,5	22,5	0,1062	70	230	20,6	23,6	0,1152	80	280	22,8	25,8	0,1332	90	235	20,8	23,8	0,1170	110	255	21,7	24,7	0,1242	135	280	22,8	25,8	0,1332	225 x	180	235	27,1	30,1		0,1692	BFL	280	-	80		15,4		17,1	0,0782	BFL	-	-				9,8	11,5	0,0246	-	-				10,3	12	0,0287	-	-					10,8	12,5	0,0338	-	5					11,4	13,1	0,0390		-	20			12,1	13,8	0,0451	-	30		12,5	14,2	0,0492	-	37	12,9	14,6		0,0523	-	57	13,8	15,5		0,0605	-		80	14,8		16,5		0,0697	-	105		15,9			18,9		0,0800			-		130			17		20			0,0902	10			155	17,4	20,4		0,0882	15		160	17,6	20,6	0,0900	35	180	18,4	21,4	0,0972	50	195	19,1	22,1	0,1026	60	205	19,5	22,5	0,1062	70	230	20,6	23,6	0,1152	80	280	22,8	25,8	0,1332	90	235	20,8	23,8	0,1170	110	255	21,7	24,7	0,1242	135	280	22,8	25,8	0,1332	225 x	180	235	27,1	30,1		0,1692	BFL	280	-	105		16,6		19,6	0,0897	BFL	-	-				9,8	11,5	0,0246	-	-				10,3	12	0,0287		-	-				10,8		12,5	0,0338	-	5					11,4	13,1	0,0390	-	20			12,1	13,8	0,0451	-	30		12,5	14,2	0,0492	-	37	12,9		14,6	0,0523	-	57	13,8	15,5		0,0605		-	80		14,8	16,5		0,0697	-		105			15,9	18,9		0,0800			-		130			17		20			0,0902	10			155	17,4		20,4	0,0882	15	160	17,6		20,6	0,0900	35	180	18,4	21,4	0,0972	50	195	19,1	22,1	0,1026	60	205	19,5	22,5	0,1062	70	230	20,6	23,6	0,1152	80	280	22,8	25,8	0,1332	90	235	20,8	23,8	0,1170	110	255	21,7	24,7	0,1242	135	280	22,8	25,8	0,1332	225 x	180	235	27,1	30,1		0,1692	BFL	280	-	130		17,8		20,8	0,1012	BFL	-	-				9,8	11,5	0,0246	-	-					10,3	12	0,0287	-	-					10,8	12,5	0,0338	-		5				11,4	13,1	0,0390	-	20			12,1	13,8	0,0451	-	30		12,5	14,2	0,0492	-	37		12,9	14,6	0,0523	-	57		13,8		15,5	0,0605		-	80		14,8	16,5	0,0697		-			105		15,9	18,9			0,0800		-			130	17	20				0,0902	10		155	17,4			20,4	0,0882	15	160	17,6	20,6	0,0900	35		180	18,4	21,4	0,0972	50	195	19,1	22,1	0,1026	60	205	19,5	22,5	0,1062	70	230	20,6	23,6	0,1152	80	280	22,8	25,8	0,1332	90	235	20,8	23,8	0,1170	110	255	21,7	24,7	0,1242	135	280	22,8	25,8	0,1332	225 x	180	235	27,1	30,1		0,1692	BFL	280	-	155		18,9		21,9	0,1127	BFL	-	-				9,8	11,5		0,0246	-	-					10,3	12	0,0287	-	-					10,8	12,5	0,0338	-	5				11,4	13,1	0,0390	-		20		12,1	13,8	0,0451	-	30		12,5	14,2	0,0492	-	37	12,9		14,6	0,0523	-	57	13,8		15,5		0,0605	-		80	14,8		16,5	0,0697		-	105			15,9		18,9			0,0800	-	130				17	20		0,0902	10		155			17,4	20,4	0,0882	15	160	17,6			20,6	0,0900	35	180	18,4	21,4	0,0972		50	195	19,1	22,1	0,1026	60	205	19,5	22,5	0,1062	70	230	20,6	23,6	0,1152	80	280	22,8	25,8	0,1332	90	235	20,8	23,8	0,1170	110	255	21,7	24,7	0,1242	135	280	22																																																																																																																																																																						
	-	105	15,2	18,2		0,0702		-	130		16,3		19,3	0,0792		10			155		17,4			20,4		0,0882			15		160			17,6	20,6			0,0900	35	180		18,4	21,4	0,0972		50	195	19,1	22,1	0,1026	60	205	19,5	22,5	0,1062	250 x	70	230	20,6	23,6	0,1152	BFL	250		-	5	11,9	13,6	0,0437		BFL		80	280	22,8	25,8	0,1332				90	235	20,8	23,8	0,1170				110	255	21,7	24,7	0,1242				135	280	22,8	25,8	0,1332				15	160	17,6	20,6	0,0900				35	180	18,4	21,4	0,0972	50			195	19,1	22,1	0,1026	60	205		19,5	22,5	0,1062	70	230	20,6	23,6	0,1152	80	280	22,8	25,8	0,1332	90	235	20,8	23,8	0,1170	110	255	21,7	24,7	0,1242	135	280	22,8	25,8	0,1332	280 x	180	235	27,1	30,1	0,1692	BFL	280		-	20	12,6	14,3		0,0506		BFL	-	-		9,8		11,5	0,0246		-	-				10,3	12	0,0287	-	-				10,8	12,5	0,0338	-	5				11,4	13,1	0,0390	-	20				12,1	13,8	0,0451	-		30			12,5	14,2		0,0492	-	37		12,9	14,6		0,0523	-	57	13,8	15,5	0,0605	-	80		14,8	16,5	0,0697	-		105		15,9	18,9		0,0800		-	130		17			20		0,0902			10		155			17,4	20,4	0,0882			15	160	17,6		20,6	0,0900	35		180	18,4	21,4	0,0972	50	195	19,1	22,1	0,1026	60	205	19,5	22,5	0,1062	70	230	20,6	23,6	0,1152	80	280	22,8	25,8	0,1332	90	235	20,8	23,8	0,1170	110	255	21,7	24,7	0,1242	135	280	22,8	25,8	0,1332	225 x	180	235	27,1	30,1	0,1692	BFL	280		-	30	13,1	14,8		0,0552		BFL	-	-		9,8		11,5	0,0246		-	-				10,3	12	0,0287	-	-				10,8	12,5	0,0338	-	5				11,4	13,1	0,0390	-	20				12,1		13,8	0,0451	-	30				12,5	14,2	0,0492	-	37			12,9	14,6	0,0523	-	57	13,8	15,5	0,0605	-	80		14,8	16,5	0,0697	-		105		15,9	18,9		0,0800		-	130		17			20		0,0902			10		155			17,4	20,4	0,0882			15	160	17,6		20,6	0,0900	35		180	18,4	21,4	0,0972	50	195	19,1	22,1	0,1026	60	205	19,5	22,5	0,1062	70	230	20,6	23,6	0,1152	80	280	22,8	25,8	0,1332	90	235	20,8	23,8	0,1170	110	255	21,7	24,7	0,1242	135	280	22,8	25,8	0,1332	225 x	180	235	27,1	30,1	0,1692	BFL	280		-	37	13,4	15,1		0,0587		BFL	-	-		9,8		11,5	0,0246		-	-				10,3	12	0,0287	-	-				10,8	12,5	0,0338	-	5				11,4	13,1	0,0390	-	20					12,1	13,8	0,0451		-	30			12,5	14,2		0,0492	-	37		12,9	14,6	0,0523	-	57	13,8	15,5	0,0605	-	80		14,8	16,5	0,0697	-		105		15,9	18,9		0,0800		-	130		17			20		0,0902			10		155			17,4	20,4	0,0882			15	160	17,6		20,6	0,0900	35		180	18,4	21,4	0,0972	50	195	19,1	22,1	0,1026	60	205	19,5	22,5	0,1062	70	230	20,6	23,6	0,1152	80	280	22,8	25,8	0,1332	90	235	20,8	23,8	0,1170	110	255	21,7	24,7	0,1242	135	280	22,8	25,8	0,1332	225 x	180	235	27,1	30,1	0,1692	BFL	280		-	57	14,4	16,1		0,0679		BFL	-	-		9,8		11,5	0,0246		-	-				10,3	12	0,0287	-	-				10,8	12,5	0,0338	-	5				11,4	13,1	0,0390		-	20					12,1	13,8	0,0451	-	30				12,5	14,2	0,0492	-	37		12,9	14,6	0,0523	-	57	13,8	15,5	0,0605	-		80	14,8	16,5	0,0697		-	105		15,9	18,9		0,0800		-	130		17			20		0,0902			10		155			17,4	20,4	0,0882			15	160	17,6		20,6	0,0900	35		180	18,4	21,4	0,0972	50	195	19,1	22,1	0,1026	60	205	19,5	22,5	0,1062	70	230	20,6	23,6	0,1152	80	280	22,8	25,8	0,1332	90	235	20,8	23,8	0,1170	110	255	21,7	24,7	0,1242	135	280	22,8	25,8	0,1332	225 x	180	235	27,1	30,1	0,1692	BFL	280		-	80	15,4	17,1		0,0782		BFL	-	-		9,8		11,5	0,0246		-	-				10,3	12	0,0287	-	-				10,8	12,5	0,0338	-	5					11,4	13,1	0,0390	-	20					12,1	13,8	0,0451		-	30			12,5	14,2	0,0492	-	37		12,9	14,6	0,0523	-	57	13,8	15,5		0,0605	-	80	14,8	16,5		0,0697	-		105	15,9		18,9		0,0800	-	130		17			20		0,0902			10		155			17,4	20,4	0,0882			15	160	17,6		20,6	0,0900	35		180	18,4	21,4	0,0972	50	195	19,1	22,1	0,1026	60	205	19,5	22,5	0,1062	70	230	20,6	23,6	0,1152	80	280	22,8	25,8	0,1332	90	235	20,8	23,8	0,1170	110	255	21,7	24,7	0,1242	135	280	22,8	25,8	0,1332	225 x	180	235	27,1	30,1	0,1692	BFL	280		-	105	16,6	19,6		0,0897		BFL	-	-		9,8		11,5	0,0246		-	-				10,3	12	0,0287	-	-				10,8	12,5	0,0338		-	5				11,4		13,1	0,0390	-	20					12,1	13,8	0,0451	-	30			12,5	14,2	0,0492	-	37		12,9	14,6	0,0523	-	57	13,8		15,5	0,0605	-	80	14,8	16,5		0,0697		-	105		15,9	18,9		0,0800	-		130			17	20		0,0902			10		155			17,4	20,4	0,0882			15	160	17,6		20,6	0,0900		35	180	18,4	21,4	0,0972	50	195	19,1	22,1	0,1026	60	205	19,5	22,5	0,1062	70	230	20,6	23,6	0,1152	80	280	22,8	25,8	0,1332	90	235	20,8	23,8	0,1170	110	255	21,7	24,7	0,1242	135	280	22,8	25,8	0,1332	225 x	180	235	27,1	30,1	0,1692	BFL	280		-	130	17,8	20,8		0,1012		BFL	-	-		9,8		11,5	0,0246		-	-				10,3	12	0,0287	-	-					10,8	12,5	0,0338	-	5					11,4	13,1	0,0390	-		20				12,1	13,8	0,0451	-	30			12,5	14,2	0,0492	-	37		12,9	14,6	0,0523	-	57		13,8	15,5	0,0605	-	80		14,8		16,5	0,0697		-	105		15,9	18,9	0,0800		-			130		17	20			0,0902		10			155	17,4	20,4		0,0882		15	160		17,6	20,6	0,0900		35	180	18,4	21,4	0,0972	50	195	19,1	22,1	0,1026	60	205	19,5	22,5	0,1062	70	230	20,6	23,6	0,1152	80	280	22,8	25,8	0,1332	90	235	20,8	23,8	0,1170	110	255	21,7	24,7	0,1242	135	280	22,8	25,8	0,1332	225 x	180	235	27,1	30,1	0,1692	BFL	280		-	155	18,9	21,9		0,1127		BFL	-	-		9,8		11,5	0,0246		-	-				10,3	12		0,0287	-	-					10,8	12,5	0,0338	-	5					11,4	13,1	0,0390	-	20				12,1	13,8	0,0451	-		30		12,5	14,2	0,0492	-	37		12,9	14,6	0,0523	-	57	13,8		15,5	0,0605	-	80	14,8		16,5		0,0697	-		105	15,9		18,9	0,0800		-	130			17		20			0,0902	10	155				17,4	20,4		0,0882	15		160		17,6	20,6	0,0900	35	180	18,4	21,4	0,0972		50	195	19,1	22,1	0,1026	60	205	19,5	22,5	0,1062	70	230	20,6	23,6	0,1152	80	280	22,8	25,8	0,1332	90	235	20,8	23,8	0,1170	110	255	21,7	24,7	0,1242	135	280	22																																																																																																																																																																														
	-	130	16,3	19,3		0,0792		10	155		17,4		20,4	0,0882		15			160		17,6			20,6		0,0900			35	180	18,4			21,4	0,0972	50		195	19,1	22,1		0,1026	60	205	19,5	22,5	0,1062	250 x	70	230	20,6	23,6	0,1152	BFL	250		-	5	11,9	13,6	0,0437		BFL		80	280	22,8	25,8	0,1332				90	235	20,8	23,8	0,1170				110	255	21,7	24,7	0,1242				135	280	22,8	25,8	0,1332				15	160	17,6	20,6	0,0900				35	180	18,4	21,4	0,0972			50	195	19,1	22,1	0,1026	60	205	19,5		22,5	0,1062	70	230	20,6	23,6	0,1152	80	280	22,8	25,8	0,1332	90	235	20,8	23,8	0,1170	110	255	21,7	24,7	0,1242	135	280	22,8	25,8	0,1332	280 x	180	235	27,1	30,1	0,1692	BFL	280		-	20	12,6	14,3	0,0506		BFL		-	-	9,8	11,5		0,0246			-	-		10,3		12	0,0287		-	-				10,8	12,5	0,0338	-	5				11,4	13,1	0,0390	-	20				12,1	13,8	0,0451	-	30				12,5	14,2	0,0492	-		37			12,9	14,6		0,0523	-	57		13,8	15,5		0,0605	-	80	14,8	16,5	0,0697	-	105		15,9	18,9	0,0800	-		130		17	20		0,0902		10	155		17,4			20,4		0,0882			15	160	17,6			20,6	0,0900	35	180		18,4	21,4	0,0972		50	195	19,1	22,1	0,1026	60	205	19,5	22,5	0,1062	70	230	20,6	23,6	0,1152	80	280	22,8	25,8	0,1332	90	235	20,8	23,8	0,1170	110	255	21,7	24,7	0,1242	135	280	22,8	25,8	0,1332	225 x	180	235	27,1	30,1	0,1692	BFL	280		-	30	13,1	14,8	0,0552		BFL		-	-	9,8	11,5		0,0246			-	-		10,3		12	0,0287		-	-				10,8	12,5	0,0338	-	5				11,4	13,1	0,0390	-	20				12,1	13,8	0,0451	-	30				12,5		14,2	0,0492	-	37				12,9	14,6	0,0523	-	57			13,8	15,5	0,0605	-	80	14,8	16,5	0,0697	-	105		15,9	18,9	0,0800	-		130		17	20		0,0902		10	155		17,4			20,4		0,0882			15	160	17,6			20,6	0,0900	35	180		18,4	21,4	0,0972		50	195	19,1	22,1	0,1026	60	205	19,5	22,5	0,1062	70	230	20,6	23,6	0,1152	80	280	22,8	25,8	0,1332	90	235	20,8	23,8	0,1170	110	255	21,7	24,7	0,1242	135	280	22,8	25,8	0,1332	225 x	180	235	27,1	30,1	0,1692	BFL	280		-	37	13,4	15,1	0,0587		BFL		-	-	9,8	11,5		0,0246			-	-		10,3		12	0,0287		-	-				10,8	12,5	0,0338	-	5				11,4	13,1	0,0390	-	20				12,1	13,8	0,0451	-	30					12,5	14,2	0,0492		-	37			12,9	14,6		0,0523	-	57		13,8	15,5	0,0605	-	80	14,8	16,5	0,0697	-	105		15,9	18,9	0,0800	-		130		17	20		0,0902		10	155		17,4			20,4		0,0882			15	160	17,6			20,6	0,0900	35	180		18,4	21,4	0,0972		50	195	19,1	22,1	0,1026	60	205	19,5	22,5	0,1062	70	230	20,6	23,6	0,1152	80	280	22,8	25,8	0,1332	90	235	20,8	23,8	0,1170	110	255	21,7	24,7	0,1242	135	280	22,8	25,8	0,1332	225 x	180	235	27,1	30,1	0,1692	BFL	280		-	57	14,4	16,1	0,0679		BFL		-	-	9,8	11,5		0,0246			-	-		10,3		12	0,0287		-	-				10,8	12,5	0,0338	-	5				11,4	13,1	0,0390	-	20				12,1	13,8	0,0451		-	30					12,5	14,2	0,0492	-	37				12,9	14,6	0,0523	-	57		13,8	15,5	0,0605	-	80	14,8	16,5	0,0697	-		105	15,9	18,9	0,0800		-	130		17	20		0,0902		10	155		17,4			20,4		0,0882			15	160	17,6			20,6	0,0900	35	180		18,4	21,4	0,0972		50	195	19,1	22,1	0,1026	60	205	19,5	22,5	0,1062	70	230	20,6	23,6	0,1152	80	280	22,8	25,8	0,1332	90	235	20,8	23,8	0,1170	110	255	21,7	24,7	0,1242	135	280	22,8	25,8	0,1332	225 x	180	235	27,1	30,1	0,1692	BFL	280		-	80	15,4	17,1	0,0782		BFL		-	-	9,8	11,5		0,0246			-	-		10,3		12	0,0287		-	-				10,8	12,5	0,0338	-	5				11,4	13,1	0,0390	-	20					12,1	13,8	0,0451	-	30					12,5	14,2	0,0492		-	37			12,9	14,6	0,0523	-	57		13,8	15,5	0,0605	-	80	14,8	16,5		0,0697	-	105	15,9	18,9		0,0800	-		130	17		20		0,0902	10	155		17,4			20,4		0,0882			15	160	17,6			20,6	0,0900	35	180		18,4	21,4	0,0972		50	195	19,1	22,1	0,1026	60	205	19,5	22,5	0,1062	70	230	20,6	23,6	0,1152	80	280	22,8	25,8	0,1332	90	235	20,8	23,8	0,1170	110	255	21,7	24,7	0,1242	135	280	22,8	25,8	0,1332	225 x	180	235	27,1	30,1	0,1692	BFL	280		-	105	16,6	19,6	0,0897		BFL		-	-	9,8	11,5		0,0246			-	-		10,3		12	0,0287		-	-				10,8	12,5	0,0338	-	5				11,4	13,1	0,0390		-	20				12,1		13,8	0,0451	-	30					12,5	14,2	0,0492	-	37			12,9	14,6	0,0523	-	57		13,8	15,5	0,0605	-	80	14,8		16,5	0,0697	-	105	15,9	18,9		0,0800		-	130		17	20		0,0902	10		155			17,4	20,4		0,0882			15	160	17,6			20,6	0,0900	35	180		18,4	21,4	0,0972		50	195	19,1	22,1	0,1026	60	205	19,5	22,5	0,1062	70	230	20,6	23,6	0,1152	80	280	22,8	25,8	0,1332	90	235	20,8	23,8	0,1170	110	255	21,7	24,7	0,1242	135	280	22,8	25,8	0,1332	225 x	180	235	27,1	30,1	0,1692	BFL	280		-	130	17,8	20,8	0,1012		BFL		-	-	9,8	11,5		0,0246			-	-		10,3		12	0,0287		-	-				10,8	12,5	0,0338	-	5					11,4	13,1	0,0390	-	20					12,1	13,8	0,0451	-		30				12,5	14,2	0,0492	-	37			12,9	14,6	0,0523	-	57		13,8	15,5	0,0605	-	80		14,8	16,5	0,0697	-	105		15,9		18,9	0,0800		-	130		17	20	0,0902		10			155		17,4	20,4			0,0882	15	160			17,6	20,6	0,0900	35	180		18,4	21,4		0,0972	50	195	19,1	22,1	0,1026	60	205	19,5	22,5	0,1062	70	230	20,6	23,6	0,1152	80	280	22,8	25,8	0,1332	90	235	20,8	23,8	0,1170	110	255	21,7	24,7	0,1242	135	280	22,8	25,8	0,1332	225 x	180	235	27,1	30,1	0,1692	BFL	280		-	155	18,9	21,9	0,1127		BFL		-	-	9,8	11,5		0,0246			-	-		10,3		12	0,0287		-	-				10,8	12,5		0,0338	-	5					11,4	13,1	0,0390	-	20					12,1	13,8	0,0451	-	30				12,5	14,2	0,0492	-		37		12,9	14,6	0,0523	-	57		13,8	15,5	0,0605	-	80	14,8		16,5	0,0697	-	105	15,9		18,9		0,0800	-		130	17		20	0,0902		10	155			17,4		20,4			0,0882	15	160			17,6	20,6	0,0900		35	180	18,4	21,4		0,0972	50	195	19,1	22,1	0,1026	60	205	19,5	22,5	0,1062	70	230	20,6	23,6	0,1152	80	280	22,8	25,8	0,1332	90	235	20,8	23,8	0,1170	110	255	21,7	24,7	0,1242	135	280	22																																																																																																																																																																																						
	10	155	17,4	20,4		0,0882		15	160		17,6		20,6	0,0900		35			180		18,4			21,4	0,0972	50			195	19,1	22,1	0,1026		60	205	19,5		22,5	0,1062	250 x	70	230	20,6	23,6	0,1152	BFL	250		-	5	11,9	13,6	0,0437		BFL		80	280	22,8	25,8	0,1332				90	235	20,8	23,8	0,1170				110	255	21,7	24,7	0,1242				135	280	22,8	25,8	0,1332				15	160	17,6	20,6	0,0900				35	180	18,4	21,4	0,0972			50	195	19,1	22,1	0,1026	60	205		19,5	22,5	0,1062	70	230	20,6	23,6	0,1152	80	280	22,8	25,8	0,1332	90	235	20,8	23,8	0,1170	110	255	21,7	24,7	0,1242	135	280	22,8	25,8	0,1332	280 x	180	235	27,1	30,1	0,1692	BFL	280		-	20	12,6	14,3	0,0506		BFL		-	-	9,8	11,5	0,0246				-	-	10,3	12		0,0287			-	-		10,8		12,5	0,0338		-	5				11,4	13,1	0,0390	-	20				12,1	13,8	0,0451	-	30				12,5	14,2	0,0492	-	37				12,9	14,6	0,0523	-		57			13,8	15,5		0,0605	-	80		14,8	16,5		0,0697	-	105	15,9	18,9	0,0800	-	130		17	20	0,0902	10		155		17,4	20,4		0,0882		15	160		17,6			20,6	0,0900	35			180	18,4	21,4	0,0972		50	195	19,1	22,1		0,1026	60	205	19,5	22,5	0,1062	70	230	20,6	23,6	0,1152	80	280	22,8	25,8	0,1332	90	235	20,8	23,8	0,1170	110	255	21,7	24,7	0,1242	135	280	22,8	25,8	0,1332	225 x	180	235	27,1	30,1	0,1692	BFL	280		-	30	13,1	14,8	0,0552		BFL		-	-	9,8	11,5	0,0246				-	-	10,3	12		0,0287			-	-		10,8		12,5	0,0338		-	5				11,4	13,1	0,0390	-	20				12,1	13,8	0,0451	-	30				12,5	14,2	0,0492	-	37				12,9		14,6	0,0523	-	57				13,8	15,5	0,0605	-	80			14,8	16,5	0,0697	-	105	15,9	18,9	0,0800	-	130		17	20	0,0902	10		155		17,4	20,4		0,0882		15	160		17,6			20,6	0,0900	35			180	18,4	21,4	0,0972		50	195	19,1	22,1		0,1026	60	205	19,5	22,5	0,1062	70	230	20,6	23,6	0,1152	80	280	22,8	25,8	0,1332	90	235	20,8	23,8	0,1170	110	255	21,7	24,7	0,1242	135	280	22,8	25,8	0,1332	225 x	180	235	27,1	30,1	0,1692	BFL	280		-	37	13,4	15,1	0,0587		BFL		-	-	9,8	11,5	0,0246				-	-	10,3	12		0,0287			-	-		10,8		12,5	0,0338		-	5				11,4	13,1	0,0390	-	20				12,1	13,8	0,0451	-	30				12,5	14,2	0,0492	-	37					12,9	14,6	0,0523		-	57			13,8	15,5		0,0605	-	80		14,8	16,5	0,0697	-	105	15,9	18,9	0,0800	-	130		17	20	0,0902	10		155		17,4	20,4		0,0882		15	160		17,6			20,6	0,0900	35			180	18,4	21,4	0,0972		50	195	19,1	22,1		0,1026	60	205	19,5	22,5	0,1062	70	230	20,6	23,6	0,1152	80	280	22,8	25,8	0,1332	90	235	20,8	23,8	0,1170	110	255	21,7	24,7	0,1242	135	280	22,8	25,8	0,1332	225 x	180	235	27,1	30,1	0,1692	BFL	280		-	57	14,4	16,1	0,0679		BFL		-	-	9,8	11,5	0,0246				-	-	10,3	12		0,0287			-	-		10,8		12,5	0,0338		-	5				11,4	13,1	0,0390	-	20				12,1	13,8	0,0451	-	30				12,5	14,2	0,0492		-	37					12,9	14,6	0,0523	-	57				13,8	15,5	0,0605	-	80		14,8	16,5	0,0697	-	105	15,9	18,9	0,0800	-		130	17	20	0,0902		10	155		17,4	20,4		0,0882		15	160		17,6			20,6	0,0900	35			180	18,4	21,4	0,0972		50	195	19,1	22,1		0,1026	60	205	19,5	22,5	0,1062	70	230	20,6	23,6	0,1152	80	280	22,8	25,8	0,1332	90	235	20,8	23,8	0,1170	110	255	21,7	24,7	0,1242	135	280	22,8	25,8	0,1332	225 x	180	235	27,1	30,1	0,1692	BFL	280		-	80	15,4	17,1	0,0782		BFL		-	-	9,8	11,5	0,0246				-	-	10,3	12		0,0287			-	-		10,8		12,5	0,0338		-	5				11,4	13,1	0,0390	-	20				12,1	13,8	0,0451	-	30					12,5	14,2	0,0492	-	37					12,9	14,6	0,0523		-	57			13,8	15,5	0,0605	-	80		14,8	16,5	0,0697	-	105	15,9	18,9		0,0800	-	130	17	20		0,0902	10		155	17,4		20,4		0,0882	15	160		17,6			20,6	0,0900	35			180	18,4	21,4	0,0972		50	195	19,1	22,1		0,1026	60	205	19,5	22,5	0,1062	70	230	20,6	23,6	0,1152	80	280	22,8	25,8	0,1332	90	235	20,8	23,8	0,1170	110	255	21,7	24,7	0,1242	135	280	22,8	25,8	0,1332	225 x	180	235	27,1	30,1	0,1692	BFL	280		-	105	16,6	19,6	0,0897		BFL		-	-	9,8	11,5	0,0246				-	-	10,3	12		0,0287			-	-		10,8		12,5	0,0338		-	5				11,4	13,1	0,0390	-	20				12,1	13,8	0,0451		-	30				12,5		14,2	0,0492	-	37					12,9	14,6	0,0523	-	57			13,8	15,5	0,0605	-	80		14,8	16,5	0,0697	-	105	15,9		18,9	0,0800	-	130	17	20		0,0902		10	155		17,4	20,4		0,0882	15		160			17,6	20,6	0,0900	35			180	18,4	21,4	0,0972		50	195	19,1	22,1		0,1026	60	205	19,5	22,5	0,1062	70	230	20,6	23,6	0,1152	80	280	22,8	25,8	0,1332	90	235	20,8	23,8	0,1170	110	255	21,7	24,7	0,1242	135	280	22,8	25,8	0,1332	225 x	180	235	27,1	30,1	0,1692	BFL	280		-	130	17,8	20,8	0,1012		BFL		-	-	9,8	11,5	0,0246				-	-	10,3	12		0,0287			-	-		10,8		12,5	0,0338		-	5				11,4	13,1	0,0390	-	20					12,1	13,8	0,0451	-	30					12,5	14,2	0,0492	-		37				12,9	14,6	0,0523	-	57			13,8	15,5	0,0605	-	80		14,8	16,5	0,0697	-	105		15,9	18,9	0,0800	-	130		17		20	0,0902		10	155		17,4	20,4	0,0882		15			160	17,6	20,6	0,0900			35	180	18,4	21,4		0,0972	50	195	19,1	22,1		0,1026	60	205	19,5	22,5	0,1062	70	230	20,6	23,6	0,1152	80	280	22,8	25,8	0,1332	90	235	20,8	23,8	0,1170	110	255	21,7	24,7	0,1242	135	280	22,8	25,8	0,1332	225 x	180	235	27,1	30,1	0,1692	BFL	280		-	155	18,9	21,9	0,1127		BFL		-	-	9,8	11,5	0,0246				-	-	10,3	12		0,0287			-	-		10,8		12,5	0,0338		-	5				11,4	13,1		0,0390	-	20					12,1	13,8	0,0451	-	30					12,5	14,2	0,0492	-	37				12,9	14,6	0,0523	-		57		13,8	15,5	0,0605	-	80		14,8	16,5	0,0697	-	105	15,9		18,9	0,0800	-	130	17		20		0,0902	10		155	17,4		20,4	0,0882		15	160			17,6	20,6	0,0900			35	180	18,4	21,4		0,0972	50	195		19,1	22,1	0,1026	60	205	19,5	22,5	0,1062	70	230	20,6	23,6	0,1152	80	280	22,8	25,8	0,1332	90	235	20,8	23,8	0,1170	110	255	21,7	24,7	0,1242	135	280	22																																																																																																																																																																																														
	15	160	17,6	20,6		0,0900		35	180		18,4		21,4	0,0972		50			195	19,1	22,1			0,1026	60	205	19,5		22,5	0,1062	250 x	70		230	20,6	23,6	0,1152	BFL	250		-	5	11,9	13,6	0,0437		BFL		80	280	22,8	25,8	0,1332				90	235	20,8	23,8	0,1170				110	255	21,7	24,7	0,1242				135	280	22,8	25,8	0,1332				15	160	17,6	20,6	0,0900				35	180	18,4	21,4	0,0972			50	195	19,1	22,1	0,1026	60	205		19,5	22,5	0,1062	70	230	20,6	23,6	0,1152	80	280	22,8	25,8	0,1332	90	235	20,8	23,8	0,1170	110	255	21,7	24,7	0,1242	135	280	22,8	25,8	0,1332	280 x	180	235	27,1	30,1	0,1692	BFL	280		-	20	12,6	14,3	0,0506		BFL		-	-	9,8	11,5	0,0246				-	-	10,3	12	0,0287				-	-	10,8	12,5		0,0338			-	5		11,4		13,1	0,0390		-	20				12,1	13,8	0,0451	-	30				12,5	14,2	0,0492	-	37				12,9	14,6	0,0523	-	57				13,8	15,5	0,0605	-		80			14,8	16,5		0,0697	-	105		15,9	18,9		0,0800	-	130	17	20	0,0902	10	155		17,4	20,4	0,0882	15		160		17,6	20,6		0,0900		35	180	18,4	21,4			0,0972	50	195	19,1		22,1	0,1026	60	205		19,5	22,5	0,1062	70	230	20,6	23,6	0,1152	80	280	22,8	25,8	0,1332	90	235	20,8	23,8	0,1170	110	255	21,7	24,7	0,1242	135	280	22,8	25,8	0,1332	225 x	180	235	27,1	30,1	0,1692	BFL	280		-	30	13,1	14,8	0,0552		BFL		-	-	9,8	11,5	0,0246				-	-	10,3	12	0,0287				-	-	10,8	12,5		0,0338			-	5		11,4		13,1	0,0390		-	20				12,1	13,8	0,0451	-	30				12,5	14,2	0,0492	-	37				12,9	14,6	0,0523	-	57				13,8		15,5	0,0605	-	80				14,8	16,5	0,0697	-	105			15,9	18,9	0,0800	-	130	17	20	0,0902	10	155		17,4	20,4	0,0882	15		160		17,6	20,6		0,0900		35	180	18,4	21,4			0,0972	50	195	19,1		22,1	0,1026	60	205		19,5	22,5	0,1062	70	230	20,6	23,6	0,1152	80	280	22,8	25,8	0,1332	90	235	20,8	23,8	0,1170	110	255	21,7	24,7	0,1242	135	280	22,8	25,8	0,1332	225 x	180	235	27,1	30,1	0,1692	BFL	280		-	37	13,4	15,1	0,0587		BFL		-	-	9,8	11,5	0,0246				-	-	10,3	12	0,0287				-	-	10,8	12,5		0,0338			-	5		11,4		13,1	0,0390		-	20				12,1	13,8	0,0451	-	30				12,5	14,2	0,0492	-	37				12,9	14,6	0,0523	-	57					13,8	15,5	0,0605		-	80			14,8	16,5		0,0697	-	105		15,9	18,9	0,0800	-	130	17	20	0,0902	10	155		17,4	20,4	0,0882	15		160		17,6	20,6		0,0900		35	180	18,4	21,4			0,0972	50	195	19,1		22,1	0,1026	60	205		19,5	22,5	0,1062	70	230	20,6	23,6	0,1152	80	280	22,8	25,8	0,1332	90	235	20,8	23,8	0,1170	110	255	21,7	24,7	0,1242	135	280	22,8	25,8	0,1332	225 x	180	235	27,1	30,1	0,1692	BFL	280		-	57	14,4	16,1	0,0679		BFL		-	-	9,8	11,5	0,0246				-	-	10,3	12	0,0287				-	-	10,8	12,5		0,0338			-	5		11,4		13,1	0,0390		-	20				12,1	13,8	0,0451	-	30				12,5	14,2	0,0492	-	37				12,9	14,6	0,0523		-	57					13,8	15,5	0,0605	-	80				14,8	16,5	0,0697	-	105		15,9	18,9	0,0800	-	130	17	20	0,0902	10		155	17,4	20,4	0,0882		15	160		17,6	20,6		0,0900		35	180	18,4	21,4			0,0972	50	195	19,1		22,1	0,1026	60	205		19,5	22,5	0,1062	70	230	20,6	23,6	0,1152	80	280	22,8	25,8	0,1332	90	235	20,8	23,8	0,1170	110	255	21,7	24,7	0,1242	135	280	22,8	25,8	0,1332	225 x	180	235	27,1	30,1	0,1692	BFL	280		-	80	15,4	17,1	0,0782		BFL		-	-	9,8	11,5	0,0246				-	-	10,3	12	0,0287				-	-	10,8	12,5		0,0338			-	5		11,4		13,1	0,0390		-	20				12,1	13,8	0,0451	-	30				12,5	14,2	0,0492	-	37					12,9	14,6	0,0523	-	57					13,8	15,5	0,0605		-	80			14,8	16,5	0,0697	-	105		15,9	18,9	0,0800	-	130	17	20		0,0902	10	155	17,4	20,4		0,0882	15		160	17,6		20,6		0,0900	35	180	18,4	21,4			0,0972	50	195	19,1		22,1	0,1026	60	205		19,5	22,5	0,1062	70	230	20,6	23,6	0,1152	80	280	22,8	25,8	0,1332	90	235	20,8	23,8	0,1170	110	255	21,7	24,7	0,1242	135	280	22,8	25,8	0,1332	225 x	180	235	27,1	30,1	0,1692	BFL	280		-	105	16,6	19,6	0,0897		BFL		-	-	9,8	11,5	0,0246				-	-	10,3	12	0,0287				-	-	10,8	12,5		0,0338			-	5		11,4		13,1	0,0390		-	20				12,1	13,8	0,0451	-	30				12,5	14,2	0,0492		-	37				12,9		14,6	0,0523	-	57					13,8	15,5	0,0605	-	80			14,8	16,5	0,0697	-	105		15,9	18,9	0,0800	-	130	17		20	0,0902	10	155	17,4	20,4		0,0882		15	160		17,6	20,6		0,0900	35	180	18,4			21,4	0,0972	50	195	19,1		22,1	0,1026	60	205		19,5	22,5	0,1062	70	230	20,6	23,6	0,1152	80	280	22,8	25,8	0,1332	90	235	20,8	23,8	0,1170	110	255	21,7	24,7	0,1242	135	280	22,8	25,8	0,1332	225 x	180	235	27,1	30,1	0,1692	BFL	280		-	130	17,8	20,8	0,1012		BFL		-	-	9,8	11,5	0,0246				-	-	10,3	12	0,0287				-	-	10,8	12,5		0,0338			-	5		11,4		13,1	0,0390		-	20				12,1	13,8	0,0451	-	30					12,5	14,2	0,0492	-	37					12,9	14,6	0,0523	-		57				13,8	15,5	0,0605	-	80			14,8	16,5	0,0697	-	105		15,9	18,9	0,0800	-	130		17	20	0,0902	10	155		17,4		20,4	0,0882		15	160		17,6	20,6	0,0900	35	180			18,4	21,4	0,0972	50	195		19,1	22,1	0,1026	60		205	19,5	22,5	0,1062	70	230	20,6	23,6	0,1152	80	280	22,8	25,8	0,1332	90	235	20,8	23,8	0,1170	110	255	21,7	24,7	0,1242	135	280	22,8	25,8	0,1332	225 x	180	235	27,1	30,1	0,1692	BFL	280		-	155	18,9	21,9	0,1127		BFL		-	-	9,8	11,5	0,0246				-	-	10,3	12	0,0287				-	-	10,8	12,5		0,0338			-	5		11,4		13,1	0,0390		-	20				12,1	13,8		0,0451	-	30					12,5	14,2	0,0492	-	37					12,9	14,6	0,0523	-	57				13,8	15,5	0,0605	-		80		14,8	16,5	0,0697	-	105		15,9	18,9	0,0800	-	130	17		20	0,0902	10	155	17,4		20,4		0,0882	15		160	17,6		20,6	0,0900	35	180	18,4			21,4	0,0972	50	195		19,1	22,1	0,1026	60		205	19,5	22,5	0,1062	70	230	20,6	23,6	0,1152	80	280	22,8	25,8	0,1332	90	235	20,8	23,8	0,1170	110	255	21,7	24,7	0,1242	135	280	22																																																																																																																																																																																																						
	35	180	18,4	21,4		0,0972		50	195		19,1		22,1	0,1026	60	205			19,5	22,5	0,1062	250 x		70	230	20,6	23,6		0,1152	BFL		250	-	5	11,9	13,6	0,0437		BFL		80	280	22,8	25,8	0,1332				90	235	20,8	23,8	0,1170				110	255	21,7	24,7	0,1242				135	280	22,8	25,8	0,1332				15	160	17,6	20,6	0,0900				35	180	18,4	21,4	0,0972			50	195	19,1	22,1	0,1026	60	205		19,5	22,5	0,1062	70	230	20,6	23,6	0,1152	80	280	22,8	25,8	0,1332	90	235	20,8	23,8	0,1170	110	255	21,7	24,7	0,1242	135	280	22,8	25,8	0,1332	280 x	180	235	27,1	30,1	0,1692	BFL	280		-	20	12,6	14,3	0,0506		BFL		-	-	9,8	11,5	0,0246				-	-	10,3	12	0,0287				-	-	10,8	12,5	0,0338				-	5	11,4	13,1		0,0390			-	20		12,1		13,8	0,0451		-	30				12,5	14,2	0,0492	-	37				12,9	14,6	0,0523	-	57				13,8	15,5	0,0605	-	80				14,8	16,5	0,0697	-		105			15,9	18,9		0,0800	-	130		17	20		0,0902	10	155	17,4	20,4	0,0882	15	160		17,6	20,6	0,0900	35		180		18,4	21,4	0,0972	50		195	19,1	22,1	0,1026	60		205	19,5	22,5	0,1062		70	230	20,6	23,6	0,1152	80	280	22,8	25,8	0,1332	90	235	20,8	23,8	0,1170	110	255	21,7	24,7	0,1242	135	280	22,8	25,8	0,1332	225 x	180	235	27,1	30,1	0,1692	BFL	280		-	30	13,1	14,8	0,0552		BFL		-	-	9,8	11,5	0,0246				-	-	10,3	12	0,0287				-	-	10,8	12,5	0,0338				-	5	11,4	13,1		0,0390			-	20		12,1		13,8	0,0451		-	30				12,5	14,2	0,0492	-	37				12,9	14,6	0,0523	-	57				13,8	15,5	0,0605	-	80				14,8		16,5	0,0697	-	105				15,9	18,9	0,0800	-	130			17	20	0,0902	10	155	17,4	20,4	0,0882	15	160		17,6	20,6	0,0900	35		180		18,4	21,4	0,0972	50		195	19,1	22,1	0,1026	60		205	19,5	22,5	0,1062		70	230	20,6	23,6	0,1152	80	280	22,8	25,8	0,1332	90	235	20,8	23,8	0,1170	110	255	21,7	24,7	0,1242	135	280	22,8	25,8	0,1332	225 x	180	235	27,1	30,1	0,1692	BFL	280		-	37	13,4	15,1	0,0587		BFL		-	-	9,8	11,5	0,0246				-	-	10,3	12	0,0287				-	-	10,8	12,5	0,0338				-	5	11,4	13,1		0,0390			-	20		12,1		13,8	0,0451		-	30				12,5	14,2	0,0492	-	37				12,9	14,6	0,0523	-	57				13,8	15,5	0,0605	-	80					14,8	16,5	0,0697		-	105			15,9	18,9		0,0800	-	130		17	20	0,0902	10	155	17,4	20,4	0,0882	15	160		17,6	20,6	0,0900	35		180		18,4	21,4	0,0972	50		195	19,1	22,1	0,1026	60		205	19,5	22,5	0,1062		70	230	20,6	23,6	0,1152	80	280	22,8	25,8	0,1332	90	235	20,8	23,8	0,1170	110	255	21,7	24,7	0,1242	135	280	22,8	25,8	0,1332	225 x	180	235	27,1	30,1	0,1692	BFL	280		-	57	14,4	16,1	0,0679		BFL		-	-	9,8	11,5	0,0246				-	-	10,3	12	0,0287				-	-	10,8	12,5	0,0338				-	5	11,4	13,1		0,0390			-	20		12,1		13,8	0,0451		-	30				12,5	14,2	0,0492	-	37				12,9	14,6	0,0523	-	57				13,8	15,5	0,0605		-	80					14,8	16,5	0,0697	-	105				15,9	18,9	0,0800	-	130		17	20	0,0902	10	155	17,4	20,4	0,0882	15		160	17,6	20,6	0,0900		35	180		18,4	21,4	0,0972	50		195	19,1	22,1	0,1026	60		205	19,5	22,5	0,1062		70	230	20,6	23,6	0,1152	80	280	22,8	25,8	0,1332	90	235	20,8	23,8	0,1170	110	255	21,7	24,7	0,1242	135	280	22,8	25,8	0,1332	225 x	180	235	27,1	30,1	0,1692	BFL	280		-	80	15,4	17,1	0,0782		BFL		-	-	9,8	11,5	0,0246				-	-	10,3	12	0,0287				-	-	10,8	12,5	0,0338				-	5	11,4	13,1		0,0390			-	20		12,1		13,8	0,0451		-	30				12,5	14,2	0,0492	-	37				12,9	14,6	0,0523	-	57					13,8	15,5	0,0605	-	80					14,8	16,5	0,0697		-	105			15,9	18,9	0,0800	-	130		17	20	0,0902	10	155	17,4	20,4		0,0882	15	160	17,6	20,6		0,0900	35		180	18,4	21,4	0,0972		50	195	19,1	22,1	0,1026	60		205	19,5	22,5	0,1062		70	230	20,6	23,6	0,1152	80	280	22,8	25,8	0,1332	90	235	20,8	23,8	0,1170	110	255	21,7	24,7	0,1242	135	280	22,8	25,8	0,1332	225 x	180	235	27,1	30,1	0,1692	BFL	280		-	105	16,6	19,6	0,0897		BFL		-	-	9,8	11,5	0,0246				-	-	10,3	12	0,0287				-	-	10,8	12,5	0,0338				-	5	11,4	13,1		0,0390			-	20		12,1		13,8	0,0451		-	30				12,5	14,2	0,0492	-	37				12,9	14,6	0,0523		-	57				13,8		15,5	0,0605	-	80					14,8	16,5	0,0697	-	105			15,9	18,9	0,0800	-	130		17	20	0,0902	10	155	17,4		20,4	0,0882	15	160	17,6	20,6		0,0900		35	180	18,4	21,4	0,0972		50	195	19,1	22,1	0,1026		60	205	19,5	22,5	0,1062		70	230	20,6	23,6	0,1152	80	280	22,8	25,8	0,1332	90	235	20,8	23,8	0,1170	110	255	21,7	24,7	0,1242	135	280	22,8	25,8	0,1332	225 x	180	235	27,1	30,1	0,1692	BFL	280		-	130	17,8	20,8	0,1012		BFL		-	-	9,8	11,5	0,0246				-	-	10,3	12	0,0287				-	-	10,8	12,5	0,0338				-	5	11,4	13,1		0,0390			-	20		12,1		13,8	0,0451		-	30				12,5	14,2	0,0492	-	37					12,9	14,6	0,0523	-	57					13,8	15,5	0,0605	-		80				14,8	16,5	0,0697	-	105			15,9	18,9	0,0800	-	130		17	20	0,0902	10	155		17,4	20,4	0,0882	15	160		17,6		20,6	0,0900	35	180	18,4		21,4	0,0972	50	195	19,1	22,1		0,1026	60	205	19,5	22,5		0,1062	70	230	20,6	23,6	0,1152	80	280	22,8	25,8	0,1332	90	235	20,8	23,8	0,1170	110	255	21,7	24,7	0,1242	135	280	22,8	25,8	0,1332	225 x	180	235	27,1	30,1	0,1692	BFL	280		-	155	18,9	21,9	0,1127		BFL		-	-	9,8	11,5	0,0246				-	-	10,3	12	0,0287				-	-	10,8	12,5	0,0338				-	5	11,4	13,1		0,0390			-	20		12,1		13,8	0,0451		-	30				12,5	14,2		0,0492	-	37					12,9	14,6	0,0523	-	57					13,8	15,5	0,0605	-	80				14,8	16,5	0,0697	-		105		15,9	18,9	0,0800	-	130		17	20	0,0902	10	155	17,4		20,4	0,0882	15	160	17,6		20,6		0,0900	35	180	18,4	21,4		0,0972	50	195	19,1	22,1	0,1026		60	205	19,5	22,5		0,1062	70	230	20,6	23,6	0,1152	80	280	22,8	25,8	0,1332	90	235	20,8	23,8	0,1170	110	255	21,7	24,7	0,1242	135	280	22																																																																																																																																																																																																														
	50	195	19,1	22,1		0,1026		60	205	19,5	22,5		0,1062	250 x	70	230	20,6		23,6	0,1152	BFL			250	-	5	11,9	13,6	0,0437			BFL	80	280	22,8	25,8	0,1332				90	235	20,8	23,8	0,1170				110	255	21,7	24,7	0,1242				135	280	22,8	25,8	0,1332				15	160	17,6	20,6	0,0900				35	180	18,4	21,4	0,0972			50	195	19,1	22,1	0,1026	60	205		19,5	22,5	0,1062	70	230	20,6	23,6	0,1152	80	280	22,8	25,8	0,1332	90	235	20,8	23,8	0,1170	110	255	21,7	24,7	0,1242	135	280	22,8	25,8	0,1332	280 x	180	235	27,1	30,1	0,1692	BFL	280		-	20	12,6	14,3	0,0506		BFL		-	-	9,8	11,5	0,0246				-	-	10,3	12	0,0287				-	-	10,8	12,5	0,0338				-	5	11,4	13,1	0,0390				-	20	12,1	13,8		0,0451			-	30		12,5		14,2	0,0492		-	37				12,9	14,6	0,0523	-	57				13,8	15,5	0,0605	-	80				14,8	16,5	0,0697	-	105				15,9	18,9	0,0800	-		130			17	20		0,0902	10	155		17,4	20,4		0,0882	15	160	17,6	20,6	0,0900	35	180		18,4	21,4	0,0972	50	195	19,1		22,1	0,1026	60	205	19,5	22,5	0,1062	70	230	20,6		23,6	0,1152	80	280	22,8	25,8	0,1332	90	235	20,8	23,8	0,1170	110	255	21,7	24,7	0,1242	135	280	22,8	25,8	0,1332	225 x	180	235	27,1	30,1	0,1692	BFL	280		-	30	13,1	14,8	0,0552		BFL		-	-	9,8	11,5	0,0246				-	-	10,3	12	0,0287				-	-	10,8	12,5	0,0338				-	5	11,4	13,1	0,0390				-	20	12,1	13,8		0,0451			-	30		12,5		14,2	0,0492		-	37				12,9	14,6	0,0523	-	57				13,8	15,5	0,0605	-	80				14,8	16,5	0,0697	-	105				15,9		18,9	0,0800	-	130				17	20	0,0902	10	155			17,4	20,4	0,0882	15	160	17,6	20,6	0,0900	35	180		18,4	21,4	0,0972	50	195	19,1		22,1	0,1026	60	205	19,5	22,5	0,1062	70	230	20,6		23,6	0,1152	80	280	22,8	25,8	0,1332	90	235	20,8	23,8	0,1170	110	255	21,7	24,7	0,1242	135	280	22,8	25,8	0,1332	225 x	180	235	27,1	30,1	0,1692	BFL	280		-	37	13,4	15,1	0,0587		BFL		-	-	9,8	11,5	0,0246				-	-	10,3	12	0,0287				-	-	10,8	12,5	0,0338				-	5	11,4	13,1	0,0390				-	20	12,1	13,8		0,0451			-	30		12,5		14,2	0,0492		-	37				12,9	14,6	0,0523	-	57				13,8	15,5	0,0605	-	80				14,8	16,5	0,0697	-	105					15,9	18,9	0,0800		-	130			17	20		0,0902	10	155		17,4	20,4	0,0882	15	160	17,6	20,6	0,0900	35	180		18,4	21,4	0,0972	50	195	19,1		22,1	0,1026	60	205	19,5	22,5	0,1062	70	230	20,6		23,6	0,1152	80	280	22,8	25,8	0,1332	90	235	20,8	23,8	0,1170	110	255	21,7	24,7	0,1242	135	280	22,8	25,8	0,1332	225 x	180	235	27,1	30,1	0,1692	BFL	280		-	57	14,4	16,1	0,0679		BFL		-	-	9,8	11,5	0,0246				-	-	10,3	12	0,0287				-	-	10,8	12,5	0,0338				-	5	11,4	13,1	0,0390				-	20	12,1	13,8		0,0451			-	30		12,5		14,2	0,0492		-	37				12,9	14,6	0,0523	-	57				13,8	15,5	0,0605	-	80				14,8	16,5	0,0697		-	105					15,9	18,9	0,0800	-	130				17	20	0,0902	10	155		17,4	20,4	0,0882	15	160	17,6	20,6	0,0900	35		180	18,4	21,4	0,0972	50	195	19,1		22,1	0,1026	60	205	19,5	22,5	0,1062	70	230	20,6		23,6	0,1152	80	280	22,8	25,8	0,1332	90	235	20,8	23,8	0,1170	110	255	21,7	24,7	0,1242	135	280	22,8	25,8	0,1332	225 x	180	235	27,1	30,1	0,1692	BFL	280		-	80	15,4	17,1	0,0782		BFL		-	-	9,8	11,5	0,0246				-	-	10,3	12	0,0287				-	-	10,8	12,5	0,0338				-	5	11,4	13,1	0,0390				-	20	12,1	13,8		0,0451			-	30		12,5		14,2	0,0492		-	37				12,9	14,6	0,0523	-	57				13,8	15,5	0,0605	-	80					14,8	16,5	0,0697	-	105					15,9	18,9	0,0800		-	130			17	20	0,0902	10	155		17,4	20,4	0,0882	15	160	17,6	20,6		0,0900	35	180	18,4	21,4	0,0972	50	195		19,1	22,1	0,1026	60	205	19,5	22,5	0,1062	70	230	20,6		23,6	0,1152	80	280	22,8	25,8	0,1332	90	235	20,8	23,8	0,1170	110	255	21,7	24,7	0,1242	135	280	22,8	25,8	0,1332	225 x	180	235	27,1	30,1	0,1692	BFL	280		-	105	16,6	19,6	0,0897		BFL		-	-	9,8	11,5	0,0246				-	-	10,3	12	0,0287				-	-	10,8	12,5	0,0338				-	5	11,4	13,1	0,0390				-	20	12,1	13,8		0,0451			-	30		12,5		14,2	0,0492		-	37				12,9	14,6	0,0523	-	57				13,8	15,5	0,0605		-	80				14,8		16,5	0,0697	-	105					15,9	18,9	0,0800	-	130			17	20	0,0902	10	155		17,4	20,4	0,0882	15	160	17,6		20,6	0,0900	35	180	18,4	21,4	0,0972	50		195	19,1	22,1	0,1026	60	205	19,5	22,5	0,1062	70	230		20,6	23,6	0,1152	80	280	22,8	25,8	0,1332	90	235	20,8	23,8	0,1170	110	255	21,7	24,7	0,1242	135	280	22,8	25,8	0,1332	225 x	180	235	27,1	30,1	0,1692	BFL	280		-	130	17,8	20,8	0,1012		BFL		-	-	9,8	11,5	0,0246				-	-	10,3	12	0,0287				-	-	10,8	12,5	0,0338				-	5	11,4	13,1	0,0390				-	20	12,1	13,8		0,0451			-	30		12,5		14,2	0,0492		-	37				12,9	14,6	0,0523	-	57					13,8	15,5	0,0605	-	80					14,8	16,5	0,0697	-		105				15,9	18,9	0,0800	-	130			17	20	0,0902	10	155		17,4	20,4	0,0882	15	160		17,6	20,6	0,0900	35	180	18,4	21,4		0,0972	50	195	19,1	22,1	0,1026	60	205	19,5	22,5	0,1062	70		230	20,6	23,6	0,1152	80	280	22,8	25,8	0,1332	90	235	20,8	23,8	0,1170	110	255	21,7	24,7	0,1242	135	280	22,8	25,8	0,1332	225 x	180	235	27,1	30,1	0,1692	BFL	280		-	155	18,9	21,9	0,1127		BFL		-	-	9,8	11,5	0,0246				-	-	10,3	12	0,0287				-	-	10,8	12,5	0,0338				-	5	11,4	13,1	0,0390				-	20	12,1	13,8		0,0451			-	30		12,5		14,2	0,0492		-	37				12,9	14,6		0,0523	-	57					13,8	15,5	0,0605	-	80					14,8	16,5	0,0697	-	105				15,9	18,9	0,0800	-		130		17	20	0,0902	10	155		17,4	20,4	0,0882	15	160	17,6		20,6	0,0900	35	180	18,4	21,4	0,0972		50	195	19,1	22,1	0,1026	60	205	19,5	22,5	0,1062	70	230		20,6	23,6	0,1152	80	280	22,8	25,8	0,1332	90	235	20,8	23,8	0,1170	110	255	21,7	24,7	0,1242	135	280	22																																																																																																																																																																																																																						
	60	205	19,5	22,5	0,1062	250 x		70	230	20,6	23,6	0,1152	BFL		250	-	5		11,9	13,6			0,0437	BFL	80	280	22,8	25,8	0,1332				90	235	20,8	23,8	0,1170				110	255	21,7	24,7	0,1242				135	280	22,8	25,8	0,1332				15	160	17,6	20,6	0,0900				35	180	18,4	21,4	0,0972			50	195	19,1	22,1	0,1026	60	205		19,5	22,5	0,1062	70	230	20,6	23,6	0,1152	80	280	22,8	25,8	0,1332	90	235	20,8	23,8	0,1170	110	255	21,7	24,7	0,1242	135	280	22,8	25,8	0,1332	280 x	180	235	27,1	30,1	0,1692	BFL	280		-	20	12,6	14,3	0,0506		BFL		-	-	9,8	11,5	0,0246				-	-	10,3	12	0,0287				-	-	10,8	12,5	0,0338				-	5	11,4	13,1	0,0390				-	20	12,1	13,8	0,0451				-	30	12,5	14,2		0,0492			-	37		12,9		14,6	0,0523		-	57				13,8	15,5	0,0605	-	80				14,8	16,5	0,0697	-	105				15,9	18,9	0,0800	-	130				17	20	0,0902	10		155			17,4	20,4		0,0882	15	160		17,6	20,6		0,0900	35	180	18,4	21,4	0,0972	50	195	19,1	22,1	0,1026	60	205	19,5	22,5	0,1062	70	230	20,6	23,6	0,1152	80	280	22,8	25,8	0,1332	90	235	20,8	23,8	0,1170	110	255	21,7	24,7	0,1242	135	280	22,8	25,8	0,1332	225 x	180	235	27,1	30,1	0,1692	BFL	280		-	30	13,1	14,8	0,0552		BFL		-	-	9,8	11,5	0,0246				-	-	10,3	12	0,0287				-	-	10,8	12,5	0,0338				-	5	11,4	13,1	0,0390				-	20	12,1	13,8	0,0451				-	30	12,5	14,2		0,0492			-	37		12,9		14,6	0,0523		-	57				13,8	15,5	0,0605	-	80				14,8	16,5	0,0697	-	105				15,9	18,9	0,0800	-	130				17		20	0,0902	10	155				17,4	20,4	0,0882	15	160			17,6	20,6	0,0900	35	180	18,4	21,4	0,0972	50	195	19,1	22,1	0,1026	60	205	19,5	22,5	0,1062	70	230	20,6	23,6	0,1152	80	280	22,8	25,8	0,1332	90	235	20,8	23,8	0,1170	110	255	21,7	24,7	0,1242	135	280	22,8	25,8	0,1332	225 x	180	235	27,1	30,1	0,1692	BFL	280		-	37	13,4	15,1	0,0587		BFL		-	-	9,8	11,5	0,0246				-	-	10,3	12	0,0287				-	-	10,8	12,5	0,0338				-	5	11,4	13,1	0,0390				-	20	12,1	13,8	0,0451				-	30	12,5	14,2		0,0492			-	37		12,9		14,6	0,0523		-	57				13,8	15,5	0,0605	-	80				14,8	16,5	0,0697	-	105				15,9	18,9	0,0800	-	130					17	20	0,0902		10	155			17,4	20,4		0,0882	15	160		17,6	20,6	0,0900	35	180	18,4	21,4	0,0972	50	195	19,1	22,1	0,1026	60	205	19,5	22,5	0,1062	70	230	20,6	23,6	0,1152	80	280	22,8	25,8	0,1332	90	235	20,8	23,8	0,1170	110	255	21,7	24,7	0,1242	135	280	22,8	25,8	0,1332	225 x	180	235	27,1	30,1	0,1692	BFL	280		-	57	14,4	16,1	0,0679		BFL		-	-	9,8	11,5	0,0246				-	-	10,3	12	0,0287				-	-	10,8	12,5	0,0338				-	5	11,4	13,1	0,0390				-	20	12,1	13,8	0,0451				-	30	12,5	14,2		0,0492			-	37		12,9		14,6	0,0523		-	57				13,8	15,5	0,0605	-	80				14,8	16,5	0,0697	-	105				15,9	18,9	0,0800		-	130					17	20	0,0902	10	155				17,4	20,4	0,0882	15	160		17,6	20,6	0,0900	35	180	18,4	21,4	0,0972	50	195	19,1	22,1	0,1026	60	205	19,5	22,5	0,1062	70	230	20,6	23,6	0,1152	80	280	22,8	25,8	0,1332	90	235	20,8	23,8	0,1170	110	255	21,7	24,7	0,1242	135	280	22,8	25,8	0,1332	225 x	180	235	27,1	30,1	0,1692	BFL	280		-	80	15,4	17,1	0,0782		BFL		-	-	9,8	11,5	0,0246				-	-	10,3	12	0,0287				-	-	10,8	12,5	0,0338				-	5	11,4	13,1	0,0390				-	20	12,1	13,8	0,0451				-	30	12,5	14,2		0,0492			-	37		12,9		14,6	0,0523		-	57				13,8	15,5	0,0605	-	80				14,8	16,5	0,0697	-	105					15,9	18,9	0,0800	-	130					17	20	0,0902		10	155			17,4	20,4	0,0882	15	160		17,6	20,6	0,0900	35	180	18,4	21,4	0,0972	50	195	19,1	22,1	0,1026	60	205	19,5	22,5	0,1062	70	230	20,6	23,6	0,1152	80	280	22,8	25,8	0,1332	90	235	20,8	23,8	0,1170	110	255	21,7	24,7	0,1242	135	280	22,8	25,8	0,1332	225 x	180	235	27,1	30,1	0,1692	BFL	280		-	105	16,6	19,6	0,0897		BFL		-	-	9,8	11,5	0,0246				-	-	10,3	12	0,0287				-	-	10,8	12,5	0,0338				-	5	11,4	13,1	0,0390				-	20	12,1	13,8	0,0451				-	30	12,5	14,2		0,0492			-	37		12,9		14,6	0,0523		-	57				13,8	15,5	0,0605	-	80				14,8	16,5	0,0697		-	105				15,9		18,9	0,0800	-	130					17	20	0,0902	10	155			17,4	20,4	0,0882	15	160		17,6	20,6	0,0900	35	180	18,4	21,4	0,0972	50	195	19,1	22,1	0,1026	60	205	19,5	22,5	0,1062	70	230	20,6	23,6	0,1152	80	280	22,8	25,8	0,1332	90	235	20,8	23,8	0,1170	110	255	21,7	24,7	0,1242	135	280	22,8	25,8	0,1332	225 x	180	235	27,1	30,1	0,1692	BFL	280		-	130	17,8	20,8	0,1012		BFL		-	-	9,8	11,5	0,0246				-	-	10,3	12	0,0287				-	-	10,8	12,5	0,0338				-	5	11,4	13,1	0,0390				-	20	12,1	13,8	0,0451				-	30	12,5	14,2		0,0492			-	37		12,9		14,6	0,0523		-	57				13,8	15,5	0,0605	-	80					14,8	16,5	0,0697	-	105					15,9	18,9	0,0800	-		130				17	20	0,0902	10	155			17,4	20,4	0,0882	15	160		17,6	20,6	0,0900	35	180	18,4	21,4	0,0972	50	195	19,1	22,1	0,1026	60	205	19,5	22,5	0,1062	70	230	20,6	23,6	0,1152	80	280	22,8	25,8	0,1332	90	235	20,8	23,8	0,1170	110	255	21,7	24,7	0,1242	135	280	22,8	25,8	0,1332	225 x	180	235	27,1	30,1	0,1692	BFL	280		-	155	18,9	21,9	0,1127		BFL		-	-	9,8	11,5	0,0246				-	-	10,3	12	0,0287				-	-	10,8	12,5	0,0338				-	5	11,4	13,1	0,0390				-	20	12,1	13,8	0,0451				-	30	12,5	14,2		0,0492			-	37		12,9		14,6	0,0523		-	57				13,8	15,5		0,0605	-	80					14,8	16,5	0,0697	-	105					15,9	18,9	0,0800	-	130				17	20	0,0902	10		155		17,4	20,4	0,0882	15	160		17,6	20,6	0,0900	35	180	18,4	21,4	0,0972	50	195	19,1	22,1	0,1026	60	205	19,5	22,5	0,1062	70	230	20,6	23,6	0,1152	80	280	22,8	25,8	0,1332	90	235	20,8	23,8	0,1170	110	255	21,7	24,7	0,1242	135	280	22																																																																																																																																																																																																																														
250 x	70	230	20,6	23,6	0,1152		BFL	250	-	5	11,9	13,6			0,0437	BFL																																																																																																																																																																																																																																																																																																																																																																																																																																																																																																																																																																																																																																																																																																																																																																																																																																																																																																																																																																																																																																																																																																																																																																																																																																																																																																																																																																																																																																																																																																																																																																																																																																																															
	80	280	22,8	25,8	0,1332			90	235	20,8	23,8	0,1170			110		255	21,7	24,7	0,1242			135		280	22,8	25,8	0,1332	15				160	17,6	20,6	0,0900	35				180	18,4	21,4	0,0972	50				195	19,1	22,1	0,1026	60			205	19,5	22,5	0,1062	70	230	20,6		23,6	0,1152	80	280	22,8	25,8	0,1332	90	235	20,8	23,8	0,1170	110	255	21,7	24,7	0,1242	135	280	22,8	25,8	0,1332	280 x	180	235	27,1	30,1	0,1692	BFL	280	-	20	12,6	14,3	0,0506	BFL	-	-	9,8	11,5	0,0246	-	-	10,3		12	0,0287	-	-	10,8		12,5		0,0338	-	5	11,4	13,1				0,0390	-	20	12,1	13,8				0,0451	-	30	12,5	14,2				0,0492	-	37	12,9	14,6				0,0523	-	57	13,8	15,5				0,0605	-	80	14,8	16,5				0,0697	-	105	15,9		18,9			0,0800	-		130		17	20		0,0902	10				155	17,4	20,4	0,0882	15				160	17,6	20,6	0,0900	35				180	18,4	21,4	0,0972	50				195	19,1	22,1	0,1026	60	205			19,5	22,5	0,1062	70	230	20,6		23,6	0,1152	80	280	22,8	25,8	0,1332	90	235	20,8	23,8	0,1170	110	255	21,7	24,7	0,1242	135	280	22,8	25,8	0,1332	225 x	180	235	27,1	30,1	0,1692	BFL	280	-	30	13,1	14,8	0,0552	BFL	-	-	9,8	11,5	0,0246	-	-	10,3		12	0,0287	-	-	10,8		12,5		0,0338	-	5	11,4	13,1				0,0390	-	20	12,1	13,8				0,0451	-	30	12,5	14,2				0,0492	-	37	12,9	14,6				0,0523	-	57	13,8	15,5				0,0605	-	80	14,8	16,5				0,0697	-	105	15,9		18,9			0,0800	-		130		17	20		0,0902	10				155	17,4	20,4	0,0882	15				160	17,6	20,6	0,0900	35				180	18,4	21,4	0,0972	50				195	19,1	22,1	0,1026	60	205		19,5		22,5	0,1062	70	230	20,6	23,6		0,1152	80	280	22,8	25,8	0,1332	90	235	20,8	23,8	0,1170	110	255	21,7	24,7	0,1242	135	280	22,8	25,8	0,1332	225 x	180	235	27,1	30,1	0,1692	BFL	280	-	37	13,4	15,1	0,0587	BFL	-	-	9,8	11,5	0,0246	-	-	10,3		12	0,0287	-	-	10,8		12,5		0,0338	-	5	11,4	13,1				0,0390	-	20	12,1	13,8				0,0451	-	30	12,5	14,2				0,0492	-	37	12,9	14,6				0,0523	-	57	13,8	15,5				0,0605	-	80	14,8	16,5				0,0697	-	105	15,9		18,9			0,0800	-		130		17	20		0,0902	10				155	17,4	20,4	0,0882	15				160	17,6	20,6	0,0900	35				180	18,4	21,4	0,0972	50		195			19,1	22,1	0,1026	60	205	19,5			22,5	0,1062	70	230	20,6	23,6		0,1152	80	280	22,8	25,8	0,1332	90	235	20,8	23,8	0,1170	110	255	21,7	24,7	0,1242	135	280	22,8	25,8	0,1332	225 x	180	235	27,1	30,1	0,1692	BFL	280	-	57	14,4	16,1	0,0679	BFL	-	-	9,8	11,5	0,0246	-	-	10,3		12	0,0287	-	-	10,8		12,5		0,0338	-	5	11,4	13,1				0,0390	-	20	12,1	13,8				0,0451	-	30	12,5	14,2				0,0492	-	37	12,9	14,6				0,0523	-	57	13,8	15,5				0,0605	-	80	14,8	16,5				0,0697	-	105	15,9		18,9			0,0800	-		130		17	20		0,0902	10				155	17,4	20,4	0,0882	15				160	17,6	20,6	0,0900	35				180	18,4	21,4	0,0972	50	195				19,1	22,1	0,1026	60	205	19,5		22,5		0,1062	70	230	20,6	23,6		0,1152	80	280	22,8	25,8	0,1332	90	235	20,8	23,8	0,1170	110	255	21,7	24,7	0,1242	135	280	22,8	25,8	0,1332	225 x	180	235	27,1	30,1	0,1692	BFL	280	-	80	15,4	17,1	0,0782	BFL	-	-	9,8	11,5	0,0246	-	-	10,3		12	0,0287	-	-	10,8		12,5		0,0338	-	5	11,4	13,1				0,0390	-	20	12,1	13,8				0,0451	-	30	12,5	14,2				0,0492	-	37	12,9	14,6				0,0523	-	57	13,8	15,5				0,0605	-	80	14,8	16,5				0,0697	-	105	15,9		18,9			0,0800	-		130		17	20		0,0902	10				155	17,4	20,4	0,0882	15				160	17,6	20,6	0,0900	35			180		18,4	21,4	0,0972	50	195	19,1				22,1	0,1026	60	205	19,5	22,5			0,1062	70	230	20,6	23,6		0,1152	80	280	22,8	25,8	0,1332	90	235	20,8	23,8	0,1170	110	255	21,7	24,7	0,1242	135	280	22,8	25,8	0,1332	225 x	180	235	27,1	30,1	0,1692	BFL	280	-	105	16,6	19,6	0,0897	BFL	-	-	9,8	11,5	0,0246	-	-	10,3		12	0,0287	-	-	10,8		12,5		0,0338	-	5	11,4	13,1				0,0390	-	20	12,1	13,8				0,0451	-	30	12,5	14,2				0,0492	-	37	12,9	14,6				0,0523	-	57	13,8	15,5				0,0605	-	80	14,8	16,5				0,0697	-	105	15,9		18,9			0,0800	-		130		17	20		0,0902	10				155	17,4	20,4	0,0882	15				160	17,6	20,6	0,0900	35	180				18,4	21,4	0,0972	50	195	19,1				22,1	0,1026	60	205	19,5	22,5			0,1062	70	230	20,6	23,6		0,1152	80	280	22,8	25,8	0,1332	90	235	20,8	23,8	0,1170	110	255	21,7	24,7	0,1242	135	280	22,8	25,8	0,1332	225 x	180	235	27,1	30,1	0,1692	BFL	280	-	130	17,8	20,8	0,1012	BFL	-	-	9,8	11,5	0,0246	-	-	10,3		12	0,0287	-	-	10,8		12,5		0,0338	-	5	11,4	13,1				0,0390	-	20	12,1	13,8				0,0451	-	30	12,5	14,2				0,0492	-	37	12,9	14,6				0,0523	-	57	13,8	15,5				0,0605	-	80	14,8	16,5				0,0697	-	105	15,9		18,9			0,0800	-		130		17	20		0,0902	10				155	17,4	20,4	0,0882	15		160			17,6	20,6	0,0900	35	180	18,4				21,4	0,0972	50	195	19,1	22,1				0,1026	60	205	19,5	22,5			0,1062	70	230	20,6	23,6		0,1152	80	280	22,8	25,8	0,1332	90	235	20,8	23,8	0,1170	110	255	21,7	24,7	0,1242	135	280	22,8	25,8	0,1332	225 x	180	235	27,1	30,1	0,1692	BFL	280	-	155	18,9	21,9	0,1127	BFL	-	-	9,8	11,5	0,0246	-	-	10,3		12	0,0287	-	-	10,8		12,5		0,0338	-	5	11,4	13,1				0,0390	-	20	12,1	13,8				0,0451	-	30	12,5	14,2				0,0492	-	37	12,9	14,6				0,0523	-	57	13,8	15,5				0,0605	-	80	14,8	16,5				0,0697	-	105	15,9		18,9			0,0800	-		130		17	20		0,0902	10				155	17,4	20,4	0,0882	15	160				17,6	20,6	0,0900	35	180	18,4				21,4	0,0972	50	195	19,1	22,1				0,1026	60	205	19,5		22,5		0,1062	70	230	20,6	23,6		0,1152	80	280	22,8	25,8	0,1332	90	235	20,8	23,8	0,1170	110	255	21,7	24,7	0,1242	135	280	22																																																																																																																																																																																																																																																				
	90	235	20,8	23,8	0,1170			110	255	21,7	24,7	0,1242			135		280	22,8	25,8	0,1332			15		160	17,6	20,6	0,0900	35				180	18,4	21,4	0,0972	50				195	19,1	22,1	0,1026	60			205	19,5	22,5	0,1062	70	230	20,6		23,6	0,1152	80	280	22,8	25,8	0,1332	90	235	20,8	23,8	0,1170	110	255	21,7	24,7	0,1242	135	280	22,8	25,8	0,1332	280 x	180	235	27,1	30,1	0,1692	BFL	280		-	20	12,6	14,3	0,0506		BFL	-	-	9,8	11,5	0,0246		-	-	10,3	12	0,0287	-	-	10,8		12,5	0,0338	-	5	11,4		13,1		0,0390	-	20	12,1	13,8				0,0451	-	30	12,5	14,2				0,0492	-	37	12,9	14,6				0,0523	-	57	13,8	15,5				0,0605	-	80	14,8	16,5				0,0697	-	105	15,9	18,9				0,0800	-	130	17		20			0,0902	10		155		17,4	20,4		0,0882	15				160	17,6	20,6	0,0900	35				180	18,4	21,4	0,0972	50				195	19,1	22,1	0,1026	60			205	19,5	22,5	0,1062	70	230	20,6	23,6		0,1152	80	280	22,8	25,8	0,1332	90	235	20,8	23,8	0,1170	110	255	21,7	24,7	0,1242	135	280	22,8	25,8	0,1332	225 x	180	235	27,1	30,1	0,1692	BFL	280		-	30	13,1	14,8	0,0552		BFL	-	-	9,8	11,5	0,0246		-	-	10,3	12	0,0287	-	-	10,8		12,5	0,0338	-	5	11,4		13,1		0,0390	-	20	12,1	13,8				0,0451	-	30	12,5	14,2				0,0492	-	37	12,9	14,6				0,0523	-	57	13,8	15,5				0,0605	-	80	14,8	16,5				0,0697	-	105	15,9	18,9				0,0800	-	130	17		20			0,0902	10		155		17,4	20,4		0,0882	15				160	17,6	20,6	0,0900	35				180	18,4	21,4	0,0972	50				195	19,1	22,1	0,1026	60			205	19,5	22,5	0,1062	70	230	20,6	23,6	0,1152		80	280	22,8	25,8	0,1332	90	235	20,8	23,8	0,1170	110	255	21,7	24,7	0,1242	135	280	22,8	25,8	0,1332	225 x	180	235	27,1	30,1	0,1692	BFL	280		-	37	13,4	15,1	0,0587		BFL	-	-	9,8	11,5	0,0246		-	-	10,3	12	0,0287	-	-	10,8		12,5	0,0338	-	5	11,4		13,1		0,0390	-	20	12,1	13,8				0,0451	-	30	12,5	14,2				0,0492	-	37	12,9	14,6				0,0523	-	57	13,8	15,5				0,0605	-	80	14,8	16,5				0,0697	-	105	15,9	18,9				0,0800	-	130	17		20			0,0902	10		155		17,4	20,4		0,0882	15				160	17,6	20,6	0,0900	35				180	18,4	21,4	0,0972	50				195	19,1	22,1	0,1026	60		205		19,5	22,5	0,1062	70	230	20,6	23,6	0,1152		80	280	22,8	25,8	0,1332	90	235	20,8	23,8	0,1170	110	255	21,7	24,7	0,1242	135	280	22,8	25,8	0,1332	225 x	180	235	27,1	30,1	0,1692	BFL	280		-	57	14,4	16,1	0,0679		BFL	-	-	9,8	11,5	0,0246		-	-	10,3	12	0,0287	-	-	10,8		12,5	0,0338	-	5	11,4		13,1		0,0390	-	20	12,1	13,8				0,0451	-	30	12,5	14,2				0,0492	-	37	12,9	14,6				0,0523	-	57	13,8	15,5				0,0605	-	80	14,8	16,5				0,0697	-	105	15,9	18,9				0,0800	-	130	17		20			0,0902	10		155		17,4	20,4		0,0882	15				160	17,6	20,6	0,0900	35				180	18,4	21,4	0,0972	50				195	19,1	22,1	0,1026	60	205			19,5	22,5	0,1062	70	230	20,6	23,6	0,1152	80		280	22,8	25,8	0,1332	90	235	20,8	23,8	0,1170	110	255	21,7	24,7	0,1242	135	280	22,8	25,8	0,1332	225 x	180	235	27,1	30,1	0,1692	BFL	280		-	80	15,4	17,1	0,0782		BFL	-	-	9,8	11,5	0,0246		-	-	10,3	12	0,0287	-	-	10,8		12,5	0,0338	-	5	11,4		13,1		0,0390	-	20	12,1	13,8				0,0451	-	30	12,5	14,2				0,0492	-	37	12,9	14,6				0,0523	-	57	13,8	15,5				0,0605	-	80	14,8	16,5				0,0697	-	105	15,9	18,9				0,0800	-	130	17		20			0,0902	10		155		17,4	20,4		0,0882	15				160	17,6	20,6	0,0900	35				180	18,4	21,4	0,0972	50			195		19,1	22,1	0,1026	60	205	19,5			22,5	0,1062	70	230	20,6	23,6	0,1152	80		280	22,8	25,8	0,1332	90	235	20,8	23,8	0,1170	110	255	21,7	24,7	0,1242	135	280	22,8	25,8	0,1332	225 x	180	235	27,1	30,1	0,1692	BFL	280		-	105	16,6	19,6	0,0897		BFL	-	-	9,8	11,5	0,0246		-	-	10,3	12	0,0287	-	-	10,8		12,5	0,0338	-	5	11,4		13,1		0,0390	-	20	12,1	13,8				0,0451	-	30	12,5	14,2				0,0492	-	37	12,9	14,6				0,0523	-	57	13,8	15,5				0,0605	-	80	14,8	16,5				0,0697	-	105	15,9	18,9				0,0800	-	130	17		20			0,0902	10		155		17,4	20,4		0,0882	15				160	17,6	20,6	0,0900	35				180	18,4	21,4	0,0972	50	195				19,1	22,1	0,1026	60	205	19,5		22,5		0,1062	70	230	20,6	23,6	0,1152	80		280	22,8	25,8	0,1332	90	235	20,8	23,8	0,1170	110	255	21,7	24,7	0,1242	135	280	22,8	25,8	0,1332	225 x	180	235	27,1	30,1	0,1692	BFL	280		-	130	17,8	20,8	0,1012		BFL	-	-	9,8	11,5	0,0246		-	-	10,3	12	0,0287	-	-	10,8		12,5	0,0338	-	5	11,4		13,1		0,0390	-	20	12,1	13,8				0,0451	-	30	12,5	14,2				0,0492	-	37	12,9	14,6				0,0523	-	57	13,8	15,5				0,0605	-	80	14,8	16,5				0,0697	-	105	15,9	18,9				0,0800	-	130	17		20			0,0902	10		155		17,4	20,4		0,0882	15				160	17,6	20,6	0,0900	35		180			18,4	21,4	0,0972	50	195	19,1				22,1	0,1026	60	205	19,5	22,5		0,1062		70	230	20,6	23,6	0,1152	80		280	22,8	25,8	0,1332	90	235	20,8	23,8	0,1170	110	255	21,7	24,7	0,1242	135	280	22,8	25,8	0,1332	225 x	180	235	27,1	30,1	0,1692	BFL	280		-	155	18,9	21,9	0,1127		BFL	-	-	9,8	11,5	0,0246		-	-	10,3	12	0,0287	-	-	10,8		12,5	0,0338	-	5	11,4		13,1		0,0390	-	20	12,1	13,8				0,0451	-	30	12,5	14,2				0,0492	-	37	12,9	14,6				0,0523	-	57	13,8	15,5				0,0605	-	80	14,8	16,5				0,0697	-	105	15,9	18,9				0,0800	-	130	17		20			0,0902	10		155		17,4	20,4		0,0882	15				160	17,6	20,6	0,0900	35	180				18,4	21,4	0,0972	50	195	19,1				22,1	0,1026	60	205	19,5	22,5	0,1062			70	230	20,6	23,6	0,1152	80		280	22,8	25,8	0,1332	90	235	20,8	23,8	0,1170	110	255	21,7	24,7	0,1242	135	280	22																																																																																																																																																																																																																																																												
	110	255	21,7	24,7	0,1242			135	280	22,8	25,8	0,1332			15		160	17,6	20,6	0,0900			35		180	18,4	21,4	0,0972	50				195	19,1	22,1	0,1026	60			205	19,5	22,5	0,1062	70	230	20,6		23,6	0,1152	80	280	22,8	25,8	0,1332	90	235	20,8	23,8	0,1170	110	255	21,7	24,7	0,1242	135	280	22,8	25,8	0,1332	280 x	180	235	27,1	30,1	0,1692	BFL	280		-	20	12,6	14,3	0,0506		BFL		-	-	9,8	11,5	0,0246			-	-	10,3	12	0,0287		-	-	10,8	12,5	0,0338	-	5	11,4		13,1	0,0390	-	20	12,1		13,8		0,0451	-	30	12,5	14,2				0,0492	-	37	12,9	14,6				0,0523	-	57	13,8	15,5				0,0605	-	80	14,8	16,5				0,0697	-	105	15,9	18,9				0,0800	-	130	17	20				0,0902	10	155	17,4		20,4			0,0882	15		160		17,6	20,6		0,0900	35				180	18,4	21,4	0,0972	50				195	19,1	22,1	0,1026	60			205	19,5	22,5	0,1062	70	230	20,6		23,6	0,1152	80	280	22,8	25,8	0,1332	90	235	20,8	23,8	0,1170	110	255	21,7	24,7	0,1242	135	280	22,8	25,8	0,1332	225 x	180	235	27,1	30,1	0,1692	BFL	280		-	30	13,1	14,8	0,0552		BFL		-	-	9,8	11,5	0,0246			-	-	10,3	12	0,0287		-	-	10,8	12,5	0,0338	-	5	11,4		13,1	0,0390	-	20	12,1		13,8		0,0451	-	30	12,5	14,2				0,0492	-	37	12,9	14,6				0,0523	-	57	13,8	15,5				0,0605	-	80	14,8	16,5				0,0697	-	105	15,9	18,9				0,0800	-	130	17	20				0,0902	10	155	17,4		20,4			0,0882	15		160		17,6	20,6		0,0900	35				180	18,4	21,4	0,0972	50				195	19,1	22,1	0,1026	60			205	19,5	22,5	0,1062	70	230	20,6		23,6	0,1152	80	280	22,8	25,8	0,1332	90	235	20,8	23,8	0,1170	110	255	21,7	24,7	0,1242	135	280	22,8	25,8	0,1332	225 x	180	235	27,1	30,1	0,1692	BFL	280		-	37	13,4	15,1	0,0587		BFL		-	-	9,8	11,5	0,0246			-	-	10,3	12	0,0287		-	-	10,8	12,5	0,0338	-	5	11,4		13,1	0,0390	-	20	12,1		13,8		0,0451	-	30	12,5	14,2				0,0492	-	37	12,9	14,6				0,0523	-	57	13,8	15,5				0,0605	-	80	14,8	16,5				0,0697	-	105	15,9	18,9				0,0800	-	130	17	20				0,0902	10	155	17,4		20,4			0,0882	15		160		17,6	20,6		0,0900	35				180	18,4	21,4	0,0972	50				195	19,1	22,1	0,1026	60			205	19,5	22,5	0,1062	70	230	20,6	23,6		0,1152	80	280	22,8	25,8	0,1332	90	235	20,8	23,8	0,1170	110	255	21,7	24,7	0,1242	135	280	22,8	25,8	0,1332	225 x	180	235	27,1	30,1	0,1692	BFL	280		-	57	14,4	16,1	0,0679		BFL		-	-	9,8	11,5	0,0246			-	-	10,3	12	0,0287		-	-	10,8	12,5	0,0338	-	5	11,4		13,1	0,0390	-	20	12,1		13,8		0,0451	-	30	12,5	14,2				0,0492	-	37	12,9	14,6				0,0523	-	57	13,8	15,5				0,0605	-	80	14,8	16,5				0,0697	-	105	15,9	18,9				0,0800	-	130	17	20				0,0902	10	155	17,4		20,4			0,0882	15		160		17,6	20,6		0,0900	35				180	18,4	21,4	0,0972	50				195	19,1	22,1	0,1026	60			205	19,5	22,5	0,1062	70	230	20,6	23,6		0,1152	80	280	22,8	25,8	0,1332	90	235	20,8	23,8	0,1170	110	255	21,7	24,7	0,1242	135	280	22,8	25,8	0,1332	225 x	180	235	27,1	30,1	0,1692	BFL	280		-	80	15,4	17,1	0,0782		BFL		-	-	9,8	11,5	0,0246			-	-	10,3	12	0,0287		-	-	10,8	12,5	0,0338	-	5	11,4		13,1	0,0390	-	20	12,1		13,8		0,0451	-	30	12,5	14,2				0,0492	-	37	12,9	14,6				0,0523	-	57	13,8	15,5				0,0605	-	80	14,8	16,5				0,0697	-	105	15,9	18,9				0,0800	-	130	17	20				0,0902	10	155	17,4		20,4			0,0882	15		160		17,6	20,6		0,0900	35				180	18,4	21,4	0,0972	50				195	19,1	22,1	0,1026	60			205	19,5	22,5	0,1062	70	230	20,6	23,6	0,1152		80	280	22,8	25,8	0,1332	90	235	20,8	23,8	0,1170	110	255	21,7	24,7	0,1242	135	280	22,8	25,8	0,1332	225 x	180	235	27,1	30,1	0,1692	BFL	280		-	105	16,6	19,6	0,0897		BFL		-	-	9,8	11,5	0,0246			-	-	10,3	12	0,0287		-	-	10,8	12,5	0,0338	-	5	11,4		13,1	0,0390	-	20	12,1		13,8		0,0451	-	30	12,5	14,2				0,0492	-	37	12,9	14,6				0,0523	-	57	13,8	15,5				0,0605	-	80	14,8	16,5				0,0697	-	105	15,9	18,9				0,0800	-	130	17	20				0,0902	10	155	17,4		20,4			0,0882	15		160		17,6	20,6		0,0900	35				180	18,4	21,4	0,0972	50				195	19,1	22,1	0,1026	60	205			19,5	22,5	0,1062	70	230	20,6	23,6	0,1152	80		280	22,8	25,8	0,1332	90	235	20,8	23,8	0,1170	110	255	21,7	24,7	0,1242	135	280	22,8	25,8	0,1332	225 x	180	235	27,1	30,1	0,1692	BFL	280		-	130	17,8	20,8	0,1012		BFL		-	-	9,8	11,5	0,0246			-	-	10,3	12	0,0287		-	-	10,8	12,5	0,0338	-	5	11,4		13,1	0,0390	-	20	12,1		13,8		0,0451	-	30	12,5	14,2				0,0492	-	37	12,9	14,6				0,0523	-	57	13,8	15,5				0,0605	-	80	14,8	16,5				0,0697	-	105	15,9	18,9				0,0800	-	130	17	20				0,0902	10	155	17,4		20,4			0,0882	15		160		17,6	20,6		0,0900	35				180	18,4	21,4	0,0972	50		195			19,1	22,1	0,1026	60	205	19,5			22,5	0,1062	70	230	20,6	23,6	0,1152	80	280		22,8	25,8	0,1332	90	235	20,8	23,8	0,1170	110	255	21,7	24,7	0,1242	135	280	22,8	25,8	0,1332	225 x	180	235	27,1	30,1	0,1692	BFL	280		-	155	18,9	21,9	0,1127		BFL		-	-	9,8	11,5	0,0246			-	-	10,3	12	0,0287		-	-	10,8	12,5	0,0338	-	5	11,4		13,1	0,0390	-	20	12,1		13,8		0,0451	-	30	12,5	14,2				0,0492	-	37	12,9	14,6				0,0523	-	57	13,8	15,5				0,0605	-	80	14,8	16,5				0,0697	-	105	15,9	18,9				0,0800	-	130	17	20				0,0902	10	155	17,4		20,4			0,0882	15		160		17,6	20,6		0,0900	35				180	18,4	21,4	0,0972	50	195				19,1	22,1	0,1026	60	205	19,5			22,5	0,1062	70	230	20,6	23,6	0,1152	80	280		22,8	25,8	0,1332	90	235	20,8	23,8	0,1170	110	255	21,7	24,7	0,1242	135	280	22																																																																																																																																																																																																																																																																				
	135	280	22,8	25,8	0,1332			15	160	17,6	20,6	0,0900			35		180	18,4	21,4	0,0972			50		195	19,1	22,1	0,1026	60		205		19,5	22,5	0,1062	70	230	20,6		23,6	0,1152	80	280	22,8	25,8	0,1332	90	235	20,8	23,8	0,1170	110	255	21,7	24,7	0,1242	135	280	22,8	25,8	0,1332	280 x	180	235	27,1	30,1	0,1692	BFL	280		-	20	12,6	14,3	0,0506		BFL		-	-	9,8	11,5	0,0246				-	-	10,3	12	0,0287			-	-	10,8	12,5	0,0338		-	5	11,4	13,1	0,0390	-	20	12,1		13,8	0,0451	-	30	12,5		14,2		0,0492	-	37	12,9	14,6				0,0523	-	57	13,8	15,5				0,0605	-	80	14,8	16,5				0,0697	-	105	15,9	18,9				0,0800	-	130	17	20				0,0902	10	155	17,4	20,4				0,0882	15	160	17,6		20,6			0,0900	35		180		18,4	21,4		0,0972	50				195	19,1	22,1	0,1026	60			205	19,5	22,5	0,1062	70	230	20,6		23,6	0,1152	80	280	22,8	25,8	0,1332	90	235	20,8	23,8	0,1170	110	255	21,7	24,7	0,1242	135	280	22,8	25,8	0,1332	225 x	180	235	27,1	30,1	0,1692	BFL	280		-	30	13,1	14,8	0,0552		BFL		-	-	9,8	11,5	0,0246				-	-	10,3	12	0,0287			-	-	10,8	12,5	0,0338		-	5	11,4	13,1	0,0390	-	20	12,1		13,8	0,0451	-	30	12,5		14,2		0,0492	-	37	12,9	14,6				0,0523	-	57	13,8	15,5				0,0605	-	80	14,8	16,5				0,0697	-	105	15,9	18,9				0,0800	-	130	17	20				0,0902	10	155	17,4	20,4				0,0882	15	160	17,6		20,6			0,0900	35		180		18,4	21,4		0,0972	50				195	19,1	22,1	0,1026	60			205	19,5	22,5	0,1062	70	230	20,6		23,6	0,1152	80	280	22,8	25,8	0,1332	90	235	20,8	23,8	0,1170	110	255	21,7	24,7	0,1242	135	280	22,8	25,8	0,1332	225 x	180	235	27,1	30,1	0,1692	BFL	280		-	37	13,4	15,1	0,0587		BFL		-	-	9,8	11,5	0,0246				-	-	10,3	12	0,0287			-	-	10,8	12,5	0,0338		-	5	11,4	13,1	0,0390	-	20	12,1		13,8	0,0451	-	30	12,5		14,2		0,0492	-	37	12,9	14,6				0,0523	-	57	13,8	15,5				0,0605	-	80	14,8	16,5				0,0697	-	105	15,9	18,9				0,0800	-	130	17	20				0,0902	10	155	17,4	20,4				0,0882	15	160	17,6		20,6			0,0900	35		180		18,4	21,4		0,0972	50				195	19,1	22,1	0,1026	60			205	19,5	22,5	0,1062	70	230	20,6		23,6	0,1152	80	280	22,8	25,8	0,1332	90	235	20,8	23,8	0,1170	110	255	21,7	24,7	0,1242	135	280	22,8	25,8	0,1332	225 x	180	235	27,1	30,1	0,1692	BFL	280		-	57	14,4	16,1	0,0679		BFL		-	-	9,8	11,5	0,0246				-	-	10,3	12	0,0287			-	-	10,8	12,5	0,0338		-	5	11,4	13,1	0,0390	-	20	12,1		13,8	0,0451	-	30	12,5		14,2		0,0492	-	37	12,9	14,6				0,0523	-	57	13,8	15,5				0,0605	-	80	14,8	16,5				0,0697	-	105	15,9	18,9				0,0800	-	130	17	20				0,0902	10	155	17,4	20,4				0,0882	15	160	17,6		20,6			0,0900	35		180		18,4	21,4		0,0972	50				195	19,1	22,1	0,1026	60			205	19,5	22,5	0,1062	70	230	20,6		23,6	0,1152	80	280	22,8	25,8	0,1332	90	235	20,8	23,8	0,1170	110	255	21,7	24,7	0,1242	135	280	22,8	25,8	0,1332	225 x	180	235	27,1	30,1	0,1692	BFL	280		-	80	15,4	17,1	0,0782		BFL		-	-	9,8	11,5	0,0246				-	-	10,3	12	0,0287			-	-	10,8	12,5	0,0338		-	5	11,4	13,1	0,0390	-	20	12,1		13,8	0,0451	-	30	12,5		14,2		0,0492	-	37	12,9	14,6				0,0523	-	57	13,8	15,5				0,0605	-	80	14,8	16,5				0,0697	-	105	15,9	18,9				0,0800	-	130	17	20				0,0902	10	155	17,4	20,4				0,0882	15	160	17,6		20,6			0,0900	35		180		18,4	21,4		0,0972	50				195	19,1	22,1	0,1026	60			205	19,5	22,5	0,1062	70	230	20,6		23,6	0,1152	80	280	22,8	25,8	0,1332	90	235	20,8	23,8	0,1170	110	255	21,7	24,7	0,1242	135	280	22,8	25,8	0,1332	225 x	180	235	27,1	30,1	0,1692	BFL	280		-	105	16,6	19,6	0,0897		BFL		-	-	9,8	11,5	0,0246				-	-	10,3	12	0,0287			-	-	10,8	12,5	0,0338		-	5	11,4	13,1	0,0390	-	20	12,1		13,8	0,0451	-	30	12,5		14,2		0,0492	-	37	12,9	14,6				0,0523	-	57	13,8	15,5				0,0605	-	80	14,8	16,5				0,0697	-	105	15,9	18,9				0,0800	-	130	17	20				0,0902	10	155	17,4	20,4				0,0882	15	160	17,6		20,6			0,0900	35		180		18,4	21,4		0,0972	50				195	19,1	22,1	0,1026	60			205	19,5	22,5	0,1062	70	230	20,6	23,6		0,1152	80	280	22,8	25,8	0,1332	90	235	20,8	23,8	0,1170	110	255	21,7	24,7	0,1242	135	280	22,8	25,8	0,1332	225 x	180	235	27,1	30,1	0,1692	BFL	280		-	130	17,8	20,8	0,1012		BFL		-	-	9,8	11,5	0,0246				-	-	10,3	12	0,0287			-	-	10,8	12,5	0,0338		-	5	11,4	13,1	0,0390	-	20	12,1		13,8	0,0451	-	30	12,5		14,2		0,0492	-	37	12,9	14,6				0,0523	-	57	13,8	15,5				0,0605	-	80	14,8	16,5				0,0697	-	105	15,9	18,9				0,0800	-	130	17	20				0,0902	10	155	17,4	20,4				0,0882	15	160	17,6		20,6			0,0900	35		180		18,4	21,4		0,0972	50				195	19,1	22,1	0,1026	60		205		19,5	22,5	0,1062	70	230	20,6	23,6	0,1152		80	280	22,8	25,8	0,1332	90	235	20,8	23,8	0,1170	110	255	21,7	24,7	0,1242	135	280	22,8	25,8	0,1332	225 x	180	235	27,1	30,1	0,1692	BFL	280		-	155	18,9	21,9	0,1127		BFL		-	-	9,8	11,5	0,0246				-	-	10,3	12	0,0287			-	-	10,8	12,5	0,0338		-	5	11,4	13,1	0,0390	-	20	12,1		13,8	0,0451	-	30	12,5		14,2		0,0492	-	37	12,9	14,6				0,0523	-	57	13,8	15,5				0,0605	-	80	14,8	16,5				0,0697	-	105	15,9	18,9				0,0800	-	130	17	20				0,0902	10	155	17,4	20,4				0,0882	15	160	17,6		20,6			0,0900	35		180		18,4	21,4		0,0972	50				195	19,1	22,1	0,1026	60	205			19,5	22,5	0,1062	70	230	20,6	23,6	0,1152		80	280	22,8	25,8	0,1332	90	235	20,8	23,8	0,1170	110	255	21,7	24,7	0,1242	135	280	22																																																																																																																																																																																																																																																																												
	15	160	17,6	20,6	0,0900			35	180	18,4	21,4	0,0972			50		195	19,1	22,1	0,1026		60	205		19,5	22,5	0,1062	70	230	20,6	23,6		0,1152	80	280	22,8	25,8	0,1332	90	235	20,8	23,8	0,1170	110	255	21,7	24,7	0,1242	135	280	22,8	25,8	0,1332	280 x	180	235	27,1	30,1	0,1692	BFL	280		-	20	12,6	14,3	0,0506		BFL		-	-	9,8	11,5	0,0246				-	-	10,3	12	0,0287				-	-	10,8	12,5	0,0338			-	5	11,4	13,1	0,0390		-	20	12,1	13,8	0,0451	-	30	12,5		14,2	0,0492	-	37	12,9		14,6		0,0523	-	57	13,8	15,5				0,0605	-	80	14,8	16,5				0,0697	-	105	15,9	18,9				0,0800	-	130	17	20				0,0902	10	155	17,4	20,4				0,0882	15	160	17,6	20,6				0,0900	35	180	18,4		21,4			0,0972	50		195		19,1	22,1		0,1026	60			205	19,5	22,5	0,1062	70	230	20,6		23,6	0,1152	80	280	22,8	25,8	0,1332	90	235	20,8	23,8	0,1170	110	255	21,7	24,7	0,1242	135	280	22,8	25,8	0,1332	225 x	180	235	27,1	30,1	0,1692	BFL	280		-	30	13,1	14,8	0,0552		BFL		-	-	9,8	11,5	0,0246				-	-	10,3	12	0,0287				-	-	10,8	12,5	0,0338			-	5	11,4	13,1	0,0390		-	20	12,1	13,8	0,0451	-	30	12,5		14,2	0,0492	-	37	12,9		14,6		0,0523	-	57	13,8	15,5				0,0605	-	80	14,8	16,5				0,0697	-	105	15,9	18,9				0,0800	-	130	17	20				0,0902	10	155	17,4	20,4				0,0882	15	160	17,6	20,6				0,0900	35	180	18,4		21,4			0,0972	50		195		19,1	22,1		0,1026	60			205	19,5	22,5	0,1062	70	230	20,6		23,6	0,1152	80	280	22,8	25,8	0,1332	90	235	20,8	23,8	0,1170	110	255	21,7	24,7	0,1242	135	280	22,8	25,8	0,1332	225 x	180	235	27,1	30,1	0,1692	BFL	280		-	37	13,4	15,1	0,0587		BFL		-	-	9,8	11,5	0,0246				-	-	10,3	12	0,0287				-	-	10,8	12,5	0,0338			-	5	11,4	13,1	0,0390		-	20	12,1	13,8	0,0451	-	30	12,5		14,2	0,0492	-	37	12,9		14,6		0,0523	-	57	13,8	15,5				0,0605	-	80	14,8	16,5				0,0697	-	105	15,9	18,9				0,0800	-	130	17	20				0,0902	10	155	17,4	20,4				0,0882	15	160	17,6	20,6				0,0900	35	180	18,4		21,4			0,0972	50		195		19,1	22,1		0,1026	60			205	19,5	22,5	0,1062	70	230	20,6		23,6	0,1152	80	280	22,8	25,8	0,1332	90	235	20,8	23,8	0,1170	110	255	21,7	24,7	0,1242	135	280	22,8	25,8	0,1332	225 x	180	235	27,1	30,1	0,1692	BFL	280		-	57	14,4	16,1	0,0679		BFL		-	-	9,8	11,5	0,0246				-	-	10,3	12	0,0287				-	-	10,8	12,5	0,0338			-	5	11,4	13,1	0,0390		-	20	12,1	13,8	0,0451	-	30	12,5		14,2	0,0492	-	37	12,9		14,6		0,0523	-	57	13,8	15,5				0,0605	-	80	14,8	16,5				0,0697	-	105	15,9	18,9				0,0800	-	130	17	20				0,0902	10	155	17,4	20,4				0,0882	15	160	17,6	20,6				0,0900	35	180	18,4		21,4			0,0972	50		195		19,1	22,1		0,1026	60			205	19,5	22,5	0,1062	70	230	20,6		23,6	0,1152	80	280	22,8	25,8	0,1332	90	235	20,8	23,8	0,1170	110	255	21,7	24,7	0,1242	135	280	22,8	25,8	0,1332	225 x	180	235	27,1	30,1	0,1692	BFL	280		-	80	15,4	17,1	0,0782		BFL		-	-	9,8	11,5	0,0246				-	-	10,3	12	0,0287				-	-	10,8	12,5	0,0338			-	5	11,4	13,1	0,0390		-	20	12,1	13,8	0,0451	-	30	12,5		14,2	0,0492	-	37	12,9		14,6		0,0523	-	57	13,8	15,5				0,0605	-	80	14,8	16,5				0,0697	-	105	15,9	18,9				0,0800	-	130	17	20				0,0902	10	155	17,4	20,4				0,0882	15	160	17,6	20,6				0,0900	35	180	18,4		21,4			0,0972	50		195		19,1	22,1		0,1026	60			205	19,5	22,5	0,1062	70	230	20,6		23,6	0,1152	80	280	22,8	25,8	0,1332	90	235	20,8	23,8	0,1170	110	255	21,7	24,7	0,1242	135	280	22,8	25,8	0,1332	225 x	180	235	27,1	30,1	0,1692	BFL	280		-	105	16,6	19,6	0,0897		BFL		-	-	9,8	11,5	0,0246				-	-	10,3	12	0,0287				-	-	10,8	12,5	0,0338			-	5	11,4	13,1	0,0390		-	20	12,1	13,8	0,0451	-	30	12,5		14,2	0,0492	-	37	12,9		14,6		0,0523	-	57	13,8	15,5				0,0605	-	80	14,8	16,5				0,0697	-	105	15,9	18,9				0,0800	-	130	17	20				0,0902	10	155	17,4	20,4				0,0882	15	160	17,6	20,6				0,0900	35	180	18,4		21,4			0,0972	50		195		19,1	22,1		0,1026	60			205	19,5	22,5	0,1062	70	230	20,6		23,6	0,1152	80	280	22,8	25,8	0,1332	90	235	20,8	23,8	0,1170	110	255	21,7	24,7	0,1242	135	280	22,8	25,8	0,1332	225 x	180	235	27,1	30,1	0,1692	BFL	280		-	130	17,8	20,8	0,1012		BFL		-	-	9,8	11,5	0,0246				-	-	10,3	12	0,0287				-	-	10,8	12,5	0,0338			-	5	11,4	13,1	0,0390		-	20	12,1	13,8	0,0451	-	30	12,5		14,2	0,0492	-	37	12,9		14,6		0,0523	-	57	13,8	15,5				0,0605	-	80	14,8	16,5				0,0697	-	105	15,9	18,9				0,0800	-	130	17	20				0,0902	10	155	17,4	20,4				0,0882	15	160	17,6	20,6				0,0900	35	180	18,4		21,4			0,0972	50		195		19,1	22,1		0,1026	60			205	19,5	22,5	0,1062	70	230	20,6	23,6		0,1152	80	280	22,8	25,8	0,1332	90	235	20,8	23,8	0,1170	110	255	21,7	24,7	0,1242	135	280	22,8	25,8	0,1332	225 x	180	235	27,1	30,1	0,1692	BFL	280		-	155	18,9	21,9	0,1127		BFL		-	-	9,8	11,5	0,0246				-	-	10,3	12	0,0287				-	-	10,8	12,5	0,0338			-	5	11,4	13,1	0,0390		-	20	12,1	13,8	0,0451	-	30	12,5		14,2	0,0492	-	37	12,9		14,6		0,0523	-	57	13,8	15,5				0,0605	-	80	14,8	16,5				0,0697	-	105	15,9	18,9				0,0800	-	130	17	20				0,0902	10	155	17,4	20,4				0,0882	15	160	17,6	20,6				0,0900	35	180	18,4		21,4			0,0972	50		195		19,1	22,1		0,1026	60			205	19,5	22,5	0,1062	70	230	20,6	23,6		0,1152	80	280	22,8	25,8	0,1332	90	235	20,8	23,8	0,1170	110	255	21,7	24,7	0,1242	135	280	22																																																																																																																																																																																																																																																																																				
	35	180	18,4	21,4	0,0972			50	195	19,1	22,1	0,1026		60	205		19,5	22,5	0,1062	70	230	20,6	23,6		0,1152	80	280	22,8	25,8	0,1332	90	235	20,8	23,8	0,1170	110	255	21,7	24,7	0,1242	135	280	22,8	25,8	0,1332	280 x	180	235	27,1	30,1	0,1692	BFL	280		-	20	12,6	14,3	0,0506		BFL		-	-	9,8	11,5	0,0246				-	-	10,3	12	0,0287				-	-	10,8	12,5	0,0338				-	5	11,4	13,1	0,0390			-	20	12,1	13,8	0,0451		-	30	12,5	14,2	0,0492	-	37	12,9		14,6	0,0523	-	57	13,8		15,5		0,0605	-	80	14,8	16,5				0,0697	-	105	15,9	18,9				0,0800	-	130	17	20				0,0902	10	155	17,4	20,4				0,0882	15	160	17,6	20,6				0,0900	35	180	18,4	21,4				0,0972	50	195	19,1		22,1			0,1026	60		205	19,5	22,5	0,1062		70	230	20,6		23,6	0,1152	80	280	22,8	25,8	0,1332	90	235	20,8	23,8	0,1170	110	255	21,7	24,7	0,1242	135	280	22,8	25,8	0,1332	225 x	180	235	27,1	30,1	0,1692	BFL	280		-	30	13,1	14,8	0,0552		BFL		-	-	9,8	11,5	0,0246				-	-	10,3	12	0,0287				-	-	10,8	12,5	0,0338				-	5	11,4	13,1	0,0390			-	20	12,1	13,8	0,0451		-	30	12,5	14,2	0,0492	-	37	12,9		14,6	0,0523	-	57	13,8		15,5		0,0605	-	80	14,8	16,5				0,0697	-	105	15,9	18,9				0,0800	-	130	17	20				0,0902	10	155	17,4	20,4				0,0882	15	160	17,6	20,6				0,0900	35	180	18,4	21,4				0,0972	50	195	19,1		22,1			0,1026	60		205	19,5	22,5	0,1062		70	230	20,6		23,6	0,1152	80	280	22,8	25,8	0,1332	90	235	20,8	23,8	0,1170	110	255	21,7	24,7	0,1242	135	280	22,8	25,8	0,1332	225 x	180	235	27,1	30,1	0,1692	BFL	280		-	37	13,4	15,1	0,0587		BFL		-	-	9,8	11,5	0,0246				-	-	10,3	12	0,0287				-	-	10,8	12,5	0,0338				-	5	11,4	13,1	0,0390			-	20	12,1	13,8	0,0451		-	30	12,5	14,2	0,0492	-	37	12,9		14,6	0,0523	-	57	13,8		15,5		0,0605	-	80	14,8	16,5				0,0697	-	105	15,9	18,9				0,0800	-	130	17	20				0,0902	10	155	17,4	20,4				0,0882	15	160	17,6	20,6				0,0900	35	180	18,4	21,4				0,0972	50	195	19,1		22,1			0,1026	60		205	19,5	22,5	0,1062		70	230	20,6		23,6	0,1152	80	280	22,8	25,8	0,1332	90	235	20,8	23,8	0,1170	110	255	21,7	24,7	0,1242	135	280	22,8	25,8	0,1332	225 x	180	235	27,1	30,1	0,1692	BFL	280		-	57	14,4	16,1	0,0679		BFL		-	-	9,8	11,5	0,0246				-	-	10,3	12	0,0287				-	-	10,8	12,5	0,0338				-	5	11,4	13,1	0,0390			-	20	12,1	13,8	0,0451		-	30	12,5	14,2	0,0492	-	37	12,9		14,6	0,0523	-	57	13,8		15,5		0,0605	-	80	14,8	16,5				0,0697	-	105	15,9	18,9				0,0800	-	130	17	20				0,0902	10	155	17,4	20,4				0,0882	15	160	17,6	20,6				0,0900	35	180	18,4	21,4				0,0972	50	195	19,1		22,1			0,1026	60		205	19,5	22,5	0,1062		70	230	20,6		23,6	0,1152	80	280	22,8	25,8	0,1332	90	235	20,8	23,8	0,1170	110	255	21,7	24,7	0,1242	135	280	22,8	25,8	0,1332	225 x	180	235	27,1	30,1	0,1692	BFL	280		-	80	15,4	17,1	0,0782		BFL		-	-	9,8	11,5	0,0246				-	-	10,3	12	0,0287				-	-	10,8	12,5	0,0338				-	5	11,4	13,1	0,0390			-	20	12,1	13,8	0,0451		-	30	12,5	14,2	0,0492	-	37	12,9		14,6	0,0523	-	57	13,8		15,5		0,0605	-	80	14,8	16,5				0,0697	-	105	15,9	18,9				0,0800	-	130	17	20				0,0902	10	155	17,4	20,4				0,0882	15	160	17,6	20,6				0,0900	35	180	18,4	21,4				0,0972	50	195	19,1		22,1			0,1026	60		205	19,5	22,5	0,1062		70	230	20,6		23,6	0,1152	80	280	22,8	25,8	0,1332	90	235	20,8	23,8	0,1170	110	255	21,7	24,7	0,1242	135	280	22,8	25,8	0,1332	225 x	180	235	27,1	30,1	0,1692	BFL	280		-	105	16,6	19,6	0,0897		BFL		-	-	9,8	11,5	0,0246				-	-	10,3	12	0,0287				-	-	10,8	12,5	0,0338				-	5	11,4	13,1	0,0390			-	20	12,1	13,8	0,0451		-	30	12,5	14,2	0,0492	-	37	12,9		14,6	0,0523	-	57	13,8		15,5		0,0605	-	80	14,8	16,5				0,0697	-	105	15,9	18,9				0,0800	-	130	17	20				0,0902	10	155	17,4	20,4				0,0882	15	160	17,6	20,6				0,0900	35	180	18,4	21,4				0,0972	50	195	19,1		22,1			0,1026	60		205	19,5	22,5	0,1062		70	230	20,6		23,6	0,1152	80	280	22,8	25,8	0,1332	90	235	20,8	23,8	0,1170	110	255	21,7	24,7	0,1242	135	280	22,8	25,8	0,1332	225 x	180	235	27,1	30,1	0,1692	BFL	280		-	130	17,8	20,8	0,1012		BFL		-	-	9,8	11,5	0,0246				-	-	10,3	12	0,0287				-	-	10,8	12,5	0,0338				-	5	11,4	13,1	0,0390			-	20	12,1	13,8	0,0451		-	30	12,5	14,2	0,0492	-	37	12,9		14,6	0,0523	-	57	13,8		15,5		0,0605	-	80	14,8	16,5				0,0697	-	105	15,9	18,9				0,0800	-	130	17	20				0,0902	10	155	17,4	20,4				0,0882	15	160	17,6	20,6				0,0900	35	180	18,4	21,4				0,0972	50	195	19,1		22,1			0,1026	60		205	19,5	22,5	0,1062		70	230	20,6		23,6	0,1152	80	280	22,8	25,8	0,1332	90	235	20,8	23,8	0,1170	110	255	21,7	24,7	0,1242	135	280	22,8	25,8	0,1332	225 x	180	235	27,1	30,1	0,1692	BFL	280		-	155	18,9	21,9	0,1127		BFL		-	-	9,8	11,5	0,0246				-	-	10,3	12	0,0287				-	-	10,8	12,5	0,0338				-	5	11,4	13,1	0,0390			-	20	12,1	13,8	0,0451		-	30	12,5	14,2	0,0492	-	37	12,9		14,6	0,0523	-	57	13,8		15,5		0,0605	-	80	14,8	16,5				0,0697	-	105	15,9	18,9				0,0800	-	130	17	20				0,0902	10	155	17,4	20,4				0,0882	15	160	17,6	20,6				0,0900	35	180	18,4	21,4				0,0972	50	195	19,1		22,1			0,1026	60		205	19,5	22,5	0,1062		70	230	20,6		23,6	0,1152	80	280	22,8	25,8	0,1332	90	235	20,8	23,8	0,1170	110	255	21,7	24,7	0,1242	135	280	22																																																																																																																																																																																																																																																																																												
	50	195	19,1	22,1	0,1026	60		205	19,5	22,5	0,1062	70	230	20,6	23,6		0,1152	80	280	22,8	25,8	0,1332	90	235	20,8	23,8	0,1170	110	255	21,7	24,7	0,1242	135	280	22,8	25,8	0,1332	280 x	180	235	27,1	30,1	0,1692	BFL	280		-	20	12,6	14,3	0,0506		BFL		-	-	9,8	11,5	0,0246				-	-	10,3	12	0,0287				-	-	10,8	12,5	0,0338				-	5	11,4	13,1	0,0390				-	20	12,1	13,8	0,0451			-	30	12,5	14,2	0,0492		-	37	12,9	14,6	0,0523	-	57	13,8		15,5	0,0605	-	80	14,8		16,5		0,0697	-	105	15,9	18,9				0,0800	-	130	17	20				0,0902	10	155	17,4	20,4				0,0882	15	160	17,6	20,6				0,0900	35	180	18,4	21,4				0,0972	50	195	19,1	22,1				0,1026	60	205	19,5	22,5	0,1062			70	230	20,6	23,6	0,1152	80	280		22,8	25,8	0,1332	90	235	20,8	23,8	0,1170	110	255	21,7	24,7	0,1242	135	280	22,8	25,8	0,1332	225 x	180	235	27,1	30,1	0,1692	BFL	280		-	30	13,1	14,8	0,0552		BFL		-	-	9,8	11,5	0,0246				-	-	10,3	12	0,0287				-	-	10,8	12,5	0,0338				-	5	11,4	13,1	0,0390				-	20	12,1	13,8	0,0451			-	30	12,5	14,2	0,0492		-	37	12,9	14,6	0,0523	-	57	13,8		15,5	0,0605	-	80	14,8		16,5		0,0697	-	105	15,9	18,9				0,0800	-	130	17	20				0,0902	10	155	17,4	20,4				0,0882	15	160	17,6	20,6				0,0900	35	180	18,4	21,4				0,0972	50	195	19,1	22,1				0,1026	60	205	19,5	22,5	0,1062			70	230	20,6	23,6	0,1152	80	280		22,8	25,8	0,1332	90	235	20,8	23,8	0,1170	110	255	21,7	24,7	0,1242	135	280	22,8	25,8	0,1332	225 x	180	235	27,1	30,1	0,1692	BFL	280		-	37	13,4	15,1	0,0587		BFL		-	-	9,8	11,5	0,0246				-	-	10,3	12	0,0287				-	-	10,8	12,5	0,0338				-	5	11,4	13,1	0,0390				-	20	12,1	13,8	0,0451			-	30	12,5	14,2	0,0492		-	37	12,9	14,6	0,0523	-	57	13,8		15,5	0,0605	-	80	14,8		16,5		0,0697	-	105	15,9	18,9				0,0800	-	130	17	20				0,0902	10	155	17,4	20,4				0,0882	15	160	17,6	20,6				0,0900	35	180	18,4	21,4				0,0972	50	195	19,1	22,1				0,1026	60	205	19,5	22,5	0,1062			70	230	20,6	23,6	0,1152	80	280		22,8	25,8	0,1332	90	235	20,8	23,8	0,1170	110	255	21,7	24,7	0,1242	135	280	22,8	25,8	0,1332	225 x	180	235	27,1	30,1	0,1692	BFL	280		-	57	14,4	16,1	0,0679		BFL		-	-	9,8	11,5	0,0246				-	-	10,3	12	0,0287				-	-	10,8	12,5	0,0338				-	5	11,4	13,1	0,0390				-	20	12,1	13,8	0,0451			-	30	12,5	14,2	0,0492		-	37	12,9	14,6	0,0523	-	57	13,8		15,5	0,0605	-	80	14,8		16,5		0,0697	-	105	15,9	18,9				0,0800	-	130	17	20				0,0902	10	155	17,4	20,4				0,0882	15	160	17,6	20,6				0,0900	35	180	18,4	21,4				0,0972	50	195	19,1	22,1				0,1026	60	205	19,5	22,5	0,1062			70	230	20,6	23,6	0,1152	80	280		22,8	25,8	0,1332	90	235	20,8	23,8	0,1170	110	255	21,7	24,7	0,1242	135	280	22,8	25,8	0,1332	225 x	180	235	27,1	30,1	0,1692	BFL	280		-	80	15,4	17,1	0,0782		BFL		-	-	9,8	11,5	0,0246				-	-	10,3	12	0,0287				-	-	10,8	12,5	0,0338				-	5	11,4	13,1	0,0390				-	20	12,1	13,8	0,0451			-	30	12,5	14,2	0,0492		-	37	12,9	14,6	0,0523	-	57	13,8		15,5	0,0605	-	80	14,8		16,5		0,0697	-	105	15,9	18,9				0,0800	-	130	17	20				0,0902	10	155	17,4	20,4				0,0882	15	160	17,6	20,6				0,0900	35	180	18,4	21,4				0,0972	50	195	19,1	22,1				0,1026	60	205	19,5	22,5	0,1062			70	230	20,6	23,6	0,1152	80	280		22,8	25,8	0,1332	90	235	20,8	23,8	0,1170	110	255	21,7	24,7	0,1242	135	280	22,8	25,8	0,1332	225 x	180	235	27,1	30,1	0,1692	BFL	280		-	105	16,6	19,6	0,0897		BFL		-	-	9,8	11,5	0,0246				-	-	10,3	12	0,0287				-	-	10,8	12,5	0,0338				-	5	11,4	13,1	0,0390				-	20	12,1	13,8	0,0451			-	30	12,5	14,2	0,0492		-	37	12,9	14,6	0,0523	-	57	13,8		15,5	0,0605	-	80	14,8		16,5		0,0697	-	105	15,9	18,9				0,0800	-	130	17	20				0,0902	10	155	17,4	20,4				0,0882	15	160	17,6	20,6				0,0900	35	180	18,4	21,4				0,0972	50	195	19,1	22,1				0,1026	60	205	19,5	22,5	0,1062			70	230	20,6	23,6	0,1152	80	280		22,8	25,8	0,1332	90	235	20,8	23,8	0,1170	110	255	21,7	24,7	0,1242	135	280	22,8	25,8	0,1332	225 x	180	235	27,1	30,1	0,1692	BFL	280		-	130	17,8	20,8	0,1012		BFL		-	-	9,8	11,5	0,0246				-	-	10,3	12	0,0287				-	-	10,8	12,5	0,0338				-	5	11,4	13,1	0,0390				-	20	12,1	13,8	0,0451			-	30	12,5	14,2	0,0492		-	37	12,9	14,6	0,0523	-	57	13,8		15,5	0,0605	-	80	14,8		16,5		0,0697	-	105	15,9	18,9				0,0800	-	130	17	20				0,0902	10	155	17,4	20,4				0,0882	15	160	17,6	20,6				0,0900	35	180	18,4	21,4				0,0972	50	195	19,1	22,1				0,1026	60	205	19,5	22,5	0,1062			70	230	20,6	23,6	0,1152	80	280		22,8	25,8	0,1332	90	235	20,8	23,8	0,1170	110	255	21,7	24,7	0,1242	135	280	22,8	25,8	0,1332	225 x	180	235	27,1	30,1	0,1692	BFL	280		-	155	18,9	21,9	0,1127		BFL		-	-	9,8	11,5	0,0246				-	-	10,3	12	0,0287				-	-	10,8	12,5	0,0338				-	5	11,4	13,1	0,0390				-	20	12,1	13,8	0,0451			-	30	12,5	14,2	0,0492		-	37	12,9	14,6	0,0523	-	57	13,8		15,5	0,0605	-	80	14,8		16,5		0,0697	-	105	15,9	18,9				0,0800	-	130	17	20				0,0902	10	155	17,4	20,4				0,0882	15	160	17,6	20,6				0,0900	35	180	18,4	21,4				0,0972	50	195	19,1	22,1				0,1026	60	205	19,5	22,5	0,1062			70	230	20,6	23,6	0,1152	80	280		22,8	25,8	0,1332	90	235	20,8	23,8	0,1170	110	255	21,7	24,7	0,1242	135	280	22																																																																																																																																																																																																																																																																																																				
60	205	19,5	22,5	0,1062	70	230	20,6	23,6	0,1152	80	280	22,8	25,8	0,1332	90	235	20,8	23,8	0,1170	110	255	21,7	24,7	0,1242	135	280	22,8	25,8	0,1332	280 x	180	235	27,1	30,1	0,1692	BFL	280		-	20	12,6	14,3	0,0506		BFL		-	-	9,8	11,5	0,0246				-	-	10,3	12	0,0287				-	-	10,8	12,5	0,0338				-	5	11,4	13,1	0,0390				-	20	12,1	13,8	0,0451				-	30	12,5	14,2	0,0492			-	37	12,9	14,6	0,0523		-	57	13,8	15,5	0,0605	-	80	14,8		16,5	0,0697	-	105	15,9		18,9		0,0800	-	130	17	20				0,0902	10	155	17,4	20,4				0,0882	15	160	17,6	20,6				0,0900	35	180	18,4	21,4				0,0972	50	195	19,1	22,1				0,1026	60	205	19,5	22,5			0,1062	70	230	20,6	23,6	0,1152	80	280		22,8	25,8	0,1332	90	235	20,8	23,8	0,1170	110	255	21,7	24,7	0,1242	135	280	22,8	25,8	0,1332	225 x	180	235	27,1	30,1	0,1692	BFL	280		-	30	13,1	14,8	0,0552		BFL		-	-	9,8	11,5	0,0246				-	-	10,3	12	0,0287				-	-	10,8	12,5	0,0338				-	5	11,4	13,1	0,0390				-	20	12,1	13,8	0,0451				-	30	12,5	14,2	0,0492			-	37	12,9	14,6	0,0523		-	57	13,8	15,5	0,0605	-	80	14,8		16,5	0,0697	-	105	15,9		18,9		0,0800	-	130	17	20				0,0902	10	155	17,4	20,4				0,0882	15	160	17,6	20,6				0,0900	35	180	18,4	21,4				0,0972	50	195	19,1	22,1				0,1026	60	205	19,5	22,5			0,1062	70	230	20,6	23,6	0,1152	80	280		22,8	25,8	0,1332	90	235	20,8	23,8	0,1170	110	255	21,7	24,7	0,1242	135	280	22,8	25,8	0,1332	225 x	180	235	27,1	30,1	0,1692	BFL	280		-	37	13,4	15,1	0,0587		BFL		-	-	9,8	11,5	0,0246				-	-	10,3	12	0,0287				-	-	10,8	12,5	0,0338				-	5	11,4	13,1	0,0390				-	20	12,1	13,8	0,0451				-	30	12,5	14,2	0,0492			-	37	12,9	14,6	0,0523		-	57	13,8	15,5	0,0605	-	80	14,8		16,5	0,0697	-	105	15,9		18,9		0,0800	-	130	17	20				0,0902	10	155	17,4	20,4				0,0882	15	160	17,6	20,6				0,0900	35	180	18,4	21,4				0,0972	50	195	19,1	22,1				0,1026	60	205	19,5	22,5			0,1062	70	230	20,6	23,6	0,1152	80	280		22,8	25,8	0,1332	90	235	20,8	23,8	0,1170	110	255	21,7	24,7	0,1242	135	280	22,8	25,8	0,1332	225 x	180	235	27,1	30,1	0,1692	BFL	280		-	57	14,4	16,1	0,0679		BFL		-	-	9,8	11,5	0,0246				-	-	10,3	12	0,0287				-	-	10,8	12,5	0,0338				-	5	11,4	13,1	0,0390				-	20	12,1	13,8	0,0451				-	30	12,5	14,2	0,0492			-	37	12,9	14,6	0,0523		-	57	13,8	15,5	0,0605	-	80	14,8		16,5	0,0697	-	105	15,9		18,9		0,0800	-	130	17	20				0,0902	10	155	17,4	20,4				0,0882	15	160	17,6	20,6				0,0900	35	180	18,4	21,4				0,0972	50	195	19,1	22,1				0,1026	60	205	19,5	22,5			0,1062	70	230	20,6	23,6	0,1152	80	280		22,8	25,8	0,1332	90	235	20,8	23,8	0,1170	110	255	21,7	24,7	0,1242	135	280	22,8	25,8	0,1332	225 x	180	235	27,1	30,1	0,1692	BFL	280		-	80	15,4	17,1	0,0782		BFL		-	-	9,8	11,5	0,0246				-	-	10,3	12	0,0287				-	-	10,8	12,5	0,0338				-	5	11,4	13,1	0,0390				-	20	12,1	13,8	0,0451				-	30	12,5	14,2	0,0492			-	37	12,9	14,6	0,0523		-	57	13,8	15,5	0,0605	-	80	14,8		16,5	0,0697	-	105	15,9		18,9		0,0800	-	130	17	20				0,0902	10	155	17,4	20,4				0,0882	15	160	17,6	20,6				0,0900	35	180	18,4	21,4				0,0972	50	195	19,1	22,1				0,1026	60	205	19,5	22,5			0,1062	70	230	20,6	23,6	0,1152	80	280		22,8	25,8	0,1332	90	235	20,8	23,8	0,1170	110	255	21,7	24,7	0,1242	135	280	22,8	25,8	0,1332	225 x	180	235	27,1	30,1	0,1692	BFL	280		-	105	16,6	19,6	0,0897		BFL		-	-	9,8	11,5	0,0246				-	-	10,3	12	0,0287				-	-	10,8	12,5	0,0338				-	5	11,4	13,1	0,0390				-	20	12,1	13,8	0,0451				-	30	12,5	14,2	0,0492			-	37	12,9	14,6	0,0523		-	57	13,8	15,5	0,0605	-	80	14,8		16,5	0,0697	-	105	15,9		18,9		0,0800	-	130	17	20				0,0902	10	155	17,4	20,4				0,0882	15	160	17,6	20,6				0,0900	35	180	18,4	21,4				0,0972	50	195	19,1	22,1				0,1026	60	205	19,5	22,5			0,1062	70	230	20,6	23,6	0,1152	80	280		22,8	25,8	0,1332	90	235	20,8	23,8	0,1170	110	255	21,7	24,7	0,1242	135	280	22,8	25,8	0,1332	225 x	180	235	27,1	30,1	0,1692	BFL	280		-	130	17,8	20,8	0,1012		BFL		-	-	9,8	11,5	0,0246				-	-	10,3	12	0,0287				-	-	10,8	12,5	0,0338				-	5	11,4	13,1	0,0390				-	20	12,1	13,8	0,0451				-	30	12,5	14,2	0,0492			-	37	12,9	14,6	0,0523		-	57	13,8	15,5	0,0605	-	80	14,8		16,5	0,0697	-	105	15,9		18,9		0,0800	-	130	17	20				0,0902	10	155	17,4	20,4				0,0882	15	160	17,6	20,6				0,0900	35	180	18,4	21,4				0,0972	50	195	19,1	22,1				0,1026	60	205	19,5	22,5			0,1062	70	230	20,6	23,6	0,1152	80	280		22,8	25,8	0,1332	90	235	20,8	23,8	0,1170	110	255	21,7	24,7	0,1242	135	280	22,8	25,8	0,1332	225 x	180	235	27,1	30,1	0,1692	BFL	280		-	155	18,9	21,9	0,1127		BFL		-	-	9,8	11,5	0,0246				-	-	10,3	12	0,0287				-	-	10,8	12,5	0,0338				-	5	11,4	13,1	0,0390				-	20	12,1	13,8	0,0451				-	30	12,5	14,2	0,0492			-	37	12,9	14,6	0,0523		-	57	13,8	15,5	0,0605	-	80	14,8		16,5	0,0697	-	105	15,9		18,9		0,0800	-	130	17	20				0,0902	10	155	17,4	20,4				0,0882	15	160	17,6	20,6				0,0900	35	180	18,4	21,4				0,0972	50	195	19,1	22,1				0,1026	60	205	19,5	22,5			0,1062	70	230	20,6	23,6	0,1152	80	280		22,8	25,8	0,1332	90	235	20,8	23,8	0,1170	110	255	21,7	24,7	0,1242	135	280	22																																																																																																																																																																																																																																																																																																												
70	230	20,6	23,6	0,1152	80	280	22,8	25,8	0,1332	90	235	20,8	23,8	0,1170	110	255	21,7	24,7	0,1242	135	280	22,8	25,8	0,1332	280 x	180	235	27,1	30,1		0,1692	BFL	280	-	20		12,6		14,3	0,0506	BFL	-	-				9,8	11,5	0,0246	-	-				10,3	12	0,0287	-	-				10,8	12,5	0,0338	-	5				11,4	13,1	0,0390	-	20				12,1	13,8	0,0451	-	30				12,5	14,2	0,0492	-	37			12,9	14,6	0,0523	-	57		13,8	15,5	0,0605	-	80	14,8	16,5	0,0697		-	105	15,9	18,9	0,0800		-		130	17	20	0,0902	10				155	17,4	20,4	0,0882	15				160	17,6	20,6	0,0900	35				180	18,4	21,4	0,0972	50				195	19,1	22,1	0,1026	60			205	19,5	22,5	0,1062	70	230	20,6		23,6	0,1152	80	280	22,8	25,8	0,1332	90	235	20,8	23,8	0,1170	110	255	21,7	24,7	0,1242	135	280	22,8	25,8	0,1332	225 x	180	235	27,1	30,1		0,1692	BFL	280	-	30		13,1		14,8	0,0552	BFL	-	-				9,8	11,5	0,0246	-	-				10,3	12	0,0287	-	-				10,8	12,5	0,0338	-	5				11,4	13,1	0,0390	-	20				12,1	13,8	0,0451	-	30				12,5	14,2	0,0492	-	37			12,9	14,6	0,0523	-	57		13,8	15,5	0,0605	-	80	14,8	16,5	0,0697		-	105	15,9	18,9	0,0800		-		130	17	20	0,0902	10				155	17,4	20,4	0,0882	15				160	17,6	20,6	0,0900	35				180	18,4	21,4	0,0972	50				195	19,1	22,1	0,1026	60			205	19,5	22,5	0,1062	70	230	20,6		23,6	0,1152	80	280	22,8	25,8	0,1332	90	235	20,8	23,8	0,1170	110	255	21,7	24,7	0,1242	135	280	22,8	25,8	0,1332	225 x	180	235	27,1	30,1		0,1692	BFL	280	-	37		13,4		15,1	0,0587	BFL	-	-				9,8	11,5	0,0246	-	-				10,3	12	0,0287	-	-				10,8	12,5	0,0338	-	5				11,4	13,1	0,0390	-	20				12,1	13,8	0,0451	-	30				12,5	14,2	0,0492	-	37			12,9	14,6	0,0523	-	57		13,8	15,5	0,0605	-	80	14,8	16,5	0,0697		-	105	15,9	18,9	0,0800		-		130	17	20	0,0902	10				155	17,4	20,4	0,0882	15				160	17,6	20,6	0,0900	35				180	18,4	21,4	0,0972	50				195	19,1	22,1	0,1026	60			205	19,5	22,5	0,1062	70	230	20,6		23,6	0,1152	80	280	22,8	25,8	0,1332	90	235	20,8	23,8	0,1170	110	255	21,7	24,7	0,1242	135	280	22,8	25,8	0,1332	225 x	180	235	27,1	30,1		0,1692	BFL	280	-	57		14,4		16,1	0,0679	BFL	-	-				9,8	11,5	0,0246	-	-				10,3	12	0,0287	-	-				10,8	12,5	0,0338	-	5				11,4	13,1	0,0390	-	20				12,1	13,8	0,0451	-	30				12,5	14,2	0,0492	-	37			12,9	14,6	0,0523	-	57		13,8	15,5	0,0605	-	80	14,8	16,5	0,0697		-	105	15,9	18,9	0,0800		-		130	17	20	0,0902	10				155	17,4	20,4	0,0882	15				160	17,6	20,6	0,0900	35				180	18,4	21,4	0,0972	50				195	19,1	22,1	0,1026	60			205	19,5	22,5	0,1062	70	230	20,6		23,6	0,1152	80	280	22,8	25,8	0,1332	90	235	20,8	23,8	0,1170	110	255	21,7	24,7	0,1242	135	280	22,8	25,8	0,1332	225 x	180	235	27,1	30,1		0,1692	BFL	280	-	80		15,4		17,1	0,0782	BFL	-	-				9,8	11,5	0,0246	-	-				10,3	12	0,0287	-	-				10,8	12,5	0,0338	-	5				11,4	13,1	0,0390	-	20				12,1	13,8	0,0451	-	30				12,5	14,2	0,0492	-	37			12,9	14,6	0,0523	-	57		13,8	15,5	0,0605	-	80	14,8	16,5	0,0697		-	105	15,9	18,9	0,0800		-		130	17	20	0,0902	10				155	17,4	20,4	0,0882	15				160	17,6	20,6	0,0900	35				180	18,4	21,4	0,0972	50				195	19,1	22,1	0,1026	60			205	19,5	22,5	0,1062	70	230	20,6		23,6	0,1152	80	280	22,8	25,8	0,1332	90	235	20,8	23,8	0,1170	110	255	21,7	24,7	0,1242	135	280	22,8	25,8	0,1332	225 x	180	235	27,1	30,1		0,1692	BFL	280	-	105		16,6		19,6	0,0897	BFL	-	-				9,8	11,5	0,0246	-	-				10,3	12	0,0287	-	-				10,8	12,5	0,0338	-	5				11,4	13,1	0,0390	-	20				12,1	13,8	0,0451	-	30				12,5	14,2	0,0492	-	37			12,9	14,6	0,0523	-	57		13,8	15,5	0,0605	-	80	14,8	16,5	0,0697		-	105	15,9	18,9	0,0800		-		130	17	20	0,0902	10				155	17,4	20,4	0,0882	15				160	17,6	20,6	0,0900	35				180	18,4	21,4	0,0972	50				195	19,1	22,1	0,1026	60			205	19,5	22,5	0,1062	70	230	20,6		23,6	0,1152	80	280	22,8	25,8	0,1332	90	235	20,8	23,8	0,1170	110	255	21,7	24,7	0,1242	135	280	22,8	25,8	0,1332	225 x	180	235	27,1	30,1		0,1692	BFL	280	-	130		17,8		20,8	0,1012	BFL	-	-				9,8	11,5	0,0246	-	-				10,3	12	0,0287	-	-				10,8	12,5	0,0338	-	5				11,4	13,1	0,0390	-	20				12,1	13,8	0,0451	-	30				12,5	14,2	0,0492	-	37			12,9	14,6	0,0523	-	57		13,8	15,5	0,0605	-	80	14,8	16,5	0,0697		-	105	15,9	18,9	0,0800		-		130	17	20	0,0902	10				155	17,4	20,4	0,0882	15				160	17,6	20,6	0,0900	35				180	18,4	21,4	0,0972	50				195	19,1	22,1	0,1026	60			205	19,5	22,5	0,1062	70	230	20,6		23,6	0,1152	80	280	22,8	25,8	0,1332	90	235	20,8	23,8	0,1170	110	255	21,7	24,7	0,1242	135	280	22,8	25,8	0,1332	225 x	180	235	27,1	30,1		0,1692	BFL	280	-	155		18,9		21,9	0,1127	BFL	-	-				9,8	11,5	0,0246	-	-				10,3	12	0,0287	-	-				10,8	12,5	0,0338	-	5				11,4	13,1	0,0390	-	20				12,1	13,8	0,0451	-	30				12,5	14,2	0,0492	-	37			12,9	14,6	0,0523	-	57		13,8	15,5	0,0605	-	80	14,8	16,5	0,0697		-	105	15,9	18,9	0,0800		-		130	17	20	0,0902	10				155	17,4	20,4	0,0882	15				160	17,6	20,6	0,0900	35				180	18,4	21,4	0,0972	50				195	19,1	22,1	0,1026	60			205	19,5	22,5	0,1062	70	230	20,6		23,6	0,1152	80	280	22,8	25,8	0,1332	90	235	20,8	23,8	0,1170	110	255	21,7	24,7	0,1242	135	280	22																																																																																																																																																																																																																																																																																																																	
80	280	22,8	25,8	0,1332	90	235	20,8	23,8	0,1170	110	255	21,7	24,7	0,1242	135	280	22,8	25,8	0,1332	280 x	180	235	27,1	30,1		0,1692	BFL	280	-		20		12,6	14,3	0,0506		BFL		-	-		9,8	11,5				0,0246	-	-	10,3	12				0,0287	-	-	10,8	12,5				0,0338	-	5	11,4	13,1				0,0390	-	20	12,1	13,8				0,0451	-	30	12,5	14,2				0,0492	-	37	12,9	14,6			0,0523	-	57	13,8	15,5		0,0605	-	80	14,8	16,5	0,0697	-	105		15,9	18,9	0,0800	-	130		17		20	0,0902	10	155	17,4				20,4	0,0882	15	160	17,6				20,6	0,0900	35	180	18,4				21,4	0,0972	50	195	19,1			22,1	0,1026	60	205	19,5	22,5	0,1062		70	230	20,6	23,6	0,1152	80	280	22,8	25,8	0,1332	90	235	20,8	23,8	0,1170	110	255	21,7	24,7	0,1242	135	280	22,8	25,8	0,1332	225 x	180	235	27,1	30,1		0,1692	BFL	280	-		30		13,1	14,8	0,0552		BFL		-	-		9,8	11,5				0,0246	-	-	10,3	12				0,0287	-	-	10,8	12,5				0,0338	-	5	11,4	13,1				0,0390	-	20	12,1	13,8				0,0451	-	30	12,5	14,2				0,0492	-	37	12,9	14,6			0,0523	-	57	13,8	15,5		0,0605	-	80	14,8	16,5	0,0697	-	105		15,9	18,9	0,0800	-	130		17		20	0,0902	10	155	17,4				20,4	0,0882	15	160	17,6				20,6	0,0900	35	180	18,4				21,4	0,0972	50	195	19,1			22,1	0,1026	60	205	19,5	22,5	0,1062		70	230	20,6	23,6	0,1152	80	280	22,8	25,8	0,1332	90	235	20,8	23,8	0,1170	110	255	21,7	24,7	0,1242	135	280	22,8	25,8	0,1332	225 x	180	235	27,1	30,1		0,1692	BFL	280	-		37		13,4	15,1	0,0587		BFL		-	-		9,8	11,5				0,0246	-	-	10,3	12				0,0287	-	-	10,8	12,5				0,0338	-	5	11,4	13,1				0,0390	-	20	12,1	13,8				0,0451	-	30	12,5	14,2				0,0492	-	37	12,9	14,6			0,0523	-	57	13,8	15,5		0,0605	-	80	14,8	16,5	0,0697	-	105		15,9	18,9	0,0800	-	130		17		20	0,0902	10	155	17,4				20,4	0,0882	15	160	17,6				20,6	0,0900	35	180	18,4				21,4	0,0972	50	195	19,1			22,1	0,1026	60	205	19,5	22,5	0,1062		70	230	20,6	23,6	0,1152	80	280	22,8	25,8	0,1332	90	235	20,8	23,8	0,1170	110	255	21,7	24,7	0,1242	135	280	22,8	25,8	0,1332	225 x	180	235	27,1	30,1		0,1692	BFL	280	-		57		14,4	16,1	0,0679		BFL		-	-		9,8	11,5				0,0246	-	-	10,3	12				0,0287	-	-	10,8	12,5				0,0338	-	5	11,4	13,1				0,0390	-	20	12,1	13,8				0,0451	-	30	12,5	14,2				0,0492	-	37	12,9	14,6			0,0523	-	57	13,8	15,5		0,0605	-	80	14,8	16,5	0,0697	-	105		15,9	18,9	0,0800	-	130		17		20	0,0902	10	155	17,4				20,4	0,0882	15	160	17,6				20,6	0,0900	35	180	18,4				21,4	0,0972	50	195	19,1			22,1	0,1026	60	205	19,5	22,5	0,1062		70	230	20,6	23,6	0,1152	80	280	22,8	25,8	0,1332	90	235	20,8	23,8	0,1170	110	255	21,7	24,7	0,1242	135	280	22,8	25,8	0,1332	225 x	180	235	27,1	30,1		0,1692	BFL	280	-		80		15,4	17,1	0,0782		BFL		-	-		9,8	11,5				0,0246	-	-	10,3	12				0,0287	-	-	10,8	12,5				0,0338	-	5	11,4	13,1				0,0390	-	20	12,1	13,8				0,0451	-	30	12,5	14,2				0,0492	-	37	12,9	14,6			0,0523	-	57	13,8	15,5		0,0605	-	80	14,8	16,5	0,0697	-	105		15,9	18,9	0,0800	-	130		17		20	0,0902	10	155	17,4				20,4	0,0882	15	160	17,6				20,6	0,0900	35	180	18,4				21,4	0,0972	50	195	19,1			22,1	0,1026	60	205	19,5	22,5	0,1062		70	230	20,6	23,6	0,1152	80	280	22,8	25,8	0,1332	90	235	20,8	23,8	0,1170	110	255	21,7	24,7	0,1242	135	280	22,8	25,8	0,1332	225 x	180	235	27,1	30,1		0,1692	BFL	280	-		105		16,6	19,6	0,0897		BFL		-	-		9,8	11,5				0,0246	-	-	10,3	12				0,0287	-	-	10,8	12,5				0,0338	-	5	11,4	13,1				0,0390	-	20	12,1	13,8				0,0451	-	30	12,5	14,2				0,0492	-	37	12,9	14,6			0,0523	-	57	13,8	15,5		0,0605	-	80	14,8	16,5	0,0697	-	105		15,9	18,9	0,0800	-	130		17		20	0,0902	10	155	17,4				20,4	0,0882	15	160	17,6				20,6	0,0900	35	180	18,4				21,4	0,0972	50	195	19,1			22,1	0,1026	60	205	19,5	22,5	0,1062		70	230	20,6	23,6	0,1152	80	280	22,8	25,8	0,1332	90	235	20,8	23,8	0,1170	110	255	21,7	24,7	0,1242	135	280	22,8	25,8	0,1332	225 x	180	235	27,1	30,1		0,1692	BFL	280	-		130		17,8	20,8	0,1012		BFL		-	-		9,8	11,5				0,0246	-	-	10,3	12				0,0287	-	-	10,8	12,5				0,0338	-	5	11,4	13,1				0,0390	-	20	12,1	13,8				0,0451	-	30	12,5	14,2				0,0492	-	37	12,9	14,6			0,0523	-	57	13,8	15,5		0,0605	-	80	14,8	16,5	0,0697	-	105		15,9	18,9	0,0800	-	130		17		20	0,0902	10	155	17,4				20,4	0,0882	15	160	17,6				20,6	0,0900	35	180	18,4				21,4	0,0972	50	195	19,1			22,1	0,1026	60	205	19,5	22,5	0,1062		70	230	20,6	23,6	0,1152	80	280	22,8	25,8	0,1332	90	235	20,8	23,8	0,1170	110	255	21,7	24,7	0,1242	135	280	22,8	25,8	0,1332	225 x	180	235	27,1	30,1		0,1692	BFL	280	-		155		18,9	21,9	0,1127		BFL		-	-		9,8	11,5				0,0246	-	-	10,3	12				0,0287	-	-	10,8	12,5				0,0338	-	5	11,4	13,1				0,0390	-	20	12,1	13,8				0,0451	-	30	12,5	14,2				0,0492	-	37	12,9	14,6			0,0523	-	57	13,8	15,5		0,0605	-	80	14,8	16,5	0,0697	-	105		15,9	18,9	0,0800	-	130		17		20	0,0902	10	155	17,4				20,4	0,0882	15	160	17,6				20,6	0,0900	35	180	18,4				21,4	0,0972	50	195	19,1			22,1	0,1026	60	205	19,5	22,5	0,1062		70	230	20,6	23,6	0,1152	80	280	22,8	25,8	0,1332	90	235	20,8	23,8	0,1170	110	255	21,7	24,7	0,1242	135	280	22																																																																																																																																																																																																																																																																																																																						
90	235	20,8	23,8	0,1170	110	255	21,7	24,7	0,1242	135	280	22,8	25,8	0,1332	280 x	180	235	27,1	30,1		0,1692	BFL	280	-		20		12,6	14,3		0,0506		BFL	-	-				9,8	11,5		0,0246	-				-	10,3	12	0,0287	-				-	10,8	12,5	0,0338	-				5	11,4	13,1	0,0390	-				20	12,1	13,8	0,0451	-				30	12,5	14,2	0,0492	-				37	12,9	14,6	0,0523	-			57	13,8	15,5	0,0605	-		80	14,8	16,5	0,0697	-	105	15,9	18,9		0,0800	-	130	17	20		0,0902		10	155	17,4	20,4	0,0882				15	160	17,6	20,6	0,0900				35	180	18,4	21,4	0,0972			50	195	19,1	22,1	0,1026	60	205		19,5	22,5	0,1062	70	230	20,6	23,6	0,1152	80	280	22,8	25,8	0,1332	90	235	20,8	23,8	0,1170	110	255	21,7	24,7	0,1242	135	280	22,8	25,8	0,1332	225 x	180	235	27,1	30,1		0,1692	BFL	280	-		30		13,1	14,8		0,0552		BFL	-	-				9,8	11,5		0,0246	-				-	10,3	12	0,0287	-				-	10,8	12,5	0,0338	-				5	11,4	13,1	0,0390	-				20	12,1	13,8	0,0451	-				30	12,5	14,2	0,0492	-				37	12,9	14,6	0,0523	-			57	13,8	15,5	0,0605	-		80	14,8	16,5	0,0697	-	105	15,9	18,9		0,0800	-	130	17	20		0,0902		10	155	17,4	20,4	0,0882				15	160	17,6	20,6	0,0900				35	180	18,4	21,4	0,0972			50	195	19,1	22,1	0,1026	60	205		19,5	22,5	0,1062	70	230	20,6	23,6	0,1152	80	280	22,8	25,8	0,1332	90	235	20,8	23,8	0,1170	110	255	21,7	24,7	0,1242	135	280	22,8	25,8	0,1332	225 x	180	235	27,1	30,1		0,1692	BFL	280	-		37		13,4	15,1		0,0587		BFL	-	-				9,8	11,5		0,0246	-				-	10,3	12	0,0287	-				-	10,8	12,5	0,0338	-				5	11,4	13,1	0,0390	-				20	12,1	13,8	0,0451	-				30	12,5	14,2	0,0492	-				37	12,9	14,6	0,0523	-			57	13,8	15,5	0,0605	-		80	14,8	16,5	0,0697	-	105	15,9	18,9		0,0800	-	130	17	20		0,0902		10	155	17,4	20,4	0,0882				15	160	17,6	20,6	0,0900				35	180	18,4	21,4	0,0972			50	195	19,1	22,1	0,1026	60	205		19,5	22,5	0,1062	70	230	20,6	23,6	0,1152	80	280	22,8	25,8	0,1332	90	235	20,8	23,8	0,1170	110	255	21,7	24,7	0,1242	135	280	22,8	25,8	0,1332	225 x	180	235	27,1	30,1		0,1692	BFL	280	-		57		14,4	16,1		0,0679		BFL	-	-				9,8	11,5		0,0246	-				-	10,3	12	0,0287	-				-	10,8	12,5	0,0338	-				5	11,4	13,1	0,0390	-				20	12,1	13,8	0,0451	-				30	12,5	14,2	0,0492	-				37	12,9	14,6	0,0523	-			57	13,8	15,5	0,0605	-		80	14,8	16,5	0,0697	-	105	15,9	18,9		0,0800	-	130	17	20		0,0902		10	155	17,4	20,4	0,0882				15	160	17,6	20,6	0,0900				35	180	18,4	21,4	0,0972			50	195	19,1	22,1	0,1026	60	205		19,5	22,5	0,1062	70	230	20,6	23,6	0,1152	80	280	22,8	25,8	0,1332	90	235	20,8	23,8	0,1170	110	255	21,7	24,7	0,1242	135	280	22,8	25,8	0,1332	225 x	180	235	27,1	30,1		0,1692	BFL	280	-		80		15,4	17,1		0,0782		BFL	-	-				9,8	11,5		0,0246	-				-	10,3	12	0,0287	-				-	10,8	12,5	0,0338	-				5	11,4	13,1	0,0390	-				20	12,1	13,8	0,0451	-				30	12,5	14,2	0,0492	-				37	12,9	14,6	0,0523	-			57	13,8	15,5	0,0605	-		80	14,8	16,5	0,0697	-	105	15,9	18,9		0,0800	-	130	17	20		0,0902		10	155	17,4	20,4	0,0882				15	160	17,6	20,6	0,0900				35	180	18,4	21,4	0,0972			50	195	19,1	22,1	0,1026	60	205		19,5	22,5	0,1062	70	230	20,6	23,6	0,1152	80	280	22,8	25,8	0,1332	90	235	20,8	23,8	0,1170	110	255	21,7	24,7	0,1242	135	280	22,8	25,8	0,1332	225 x	180	235	27,1	30,1		0,1692	BFL	280	-		105		16,6	19,6		0,0897		BFL	-	-				9,8	11,5		0,0246	-				-	10,3	12	0,0287	-				-	10,8	12,5	0,0338	-				5	11,4	13,1	0,0390	-				20	12,1	13,8	0,0451	-				30	12,5	14,2	0,0492	-				37	12,9	14,6	0,0523	-			57	13,8	15,5	0,0605	-		80	14,8	16,5	0,0697	-	105	15,9	18,9		0,0800	-	130	17	20		0,0902		10	155	17,4	20,4	0,0882				15	160	17,6	20,6	0,0900				35	180	18,4	21,4	0,0972			50	195	19,1	22,1	0,1026	60	205		19,5	22,5	0,1062	70	230	20,6	23,6	0,1152	80	280	22,8	25,8	0,1332	90	235	20,8	23,8	0,1170	110	255	21,7	24,7	0,1242	135	280	22,8	25,8	0,1332	225 x	180	235	27,1	30,1		0,1692	BFL	280	-		130		17,8	20,8		0,1012		BFL	-	-				9,8	11,5		0,0246	-				-	10,3	12	0,0287	-				-	10,8	12,5	0,0338	-				5	11,4	13,1	0,0390	-				20	12,1	13,8	0,0451	-				30	12,5	14,2	0,0492	-				37	12,9	14,6	0,0523	-			57	13,8	15,5	0,0605	-		80	14,8	16,5	0,0697	-	105	15,9	18,9		0,0800	-	130	17	20		0,0902		10	155	17,4	20,4	0,0882				15	160	17,6	20,6	0,0900				35	180	18,4	21,4	0,0972			50	195	19,1	22,1	0,1026	60	205		19,5	22,5	0,1062	70	230	20,6	23,6	0,1152	80	280	22,8	25,8	0,1332	90	235	20,8	23,8	0,1170	110	255	21,7	24,7	0,1242	135	280	22,8	25,8	0,1332	225 x	180	235	27,1	30,1		0,1692	BFL	280	-		155		18,9	21,9		0,1127		BFL	-	-				9,8	11,5		0,0246	-				-	10,3	12	0,0287	-				-	10,8	12,5	0,0338	-				5	11,4	13,1	0,0390	-				20	12,1	13,8	0,0451	-				30	12,5	14,2	0,0492	-				37	12,9	14,6	0,0523	-			57	13,8	15,5	0,0605	-		80	14,8	16,5	0,0697	-	105	15,9	18,9		0,0800	-	130	17	20		0,0902		10	155	17,4	20,4	0,0882				15	160	17,6	20,6	0,0900				35	180	18,4	21,4	0,0972			50	195	19,1	22,1	0,1026	60	205		19,5	22,5	0,1062	70	230	20,6	23,6	0,1152	80	280	22,8	25,8	0,1332	90	235	20,8	23,8	0,1170	110	255	21,7	24,7	0,1242	135	280	22																																																																																																																																																																																																																																																																																																																											
110	255	21,7	24,7	0,1242	135	280	22,8	25,8	0,1332	280 x	180	235	27,1	30,1		0,1692	BFL	280	-		20		12,6	14,3		0,0506		BFL	-		-			9,8	11,5				0,0246	-		-	10,3				12	0,0287	-	-	10,8				12,5	0,0338	-	5	11,4				13,1	0,0390	-	20	12,1				13,8	0,0451	-	30	12,5				14,2	0,0492	-	37	12,9				14,6	0,0523	-	57	13,8			15,5	0,0605	-	80	14,8		16,5	0,0697	-	105	15,9	18,9	0,0800	-		130	17	20	0,0902	10		155		17,4	20,4	0,0882	15	160				17,6	20,6	0,0900	35	180			18,4	21,4	0,0972	50	195	19,1	22,1		0,1026	60	205	19,5	22,5	0,1062	70	230	20,6	23,6	0,1152	80	280	22,8	25,8	0,1332	90	235	20,8	23,8	0,1170	110	255	21,7	24,7	0,1242	135	280	22,8	25,8	0,1332	225 x	180	235	27,1	30,1		0,1692	BFL	280	-		30		13,1	14,8		0,0552		BFL	-		-			9,8	11,5				0,0246	-		-	10,3				12	0,0287	-	-	10,8				12,5	0,0338	-	5	11,4				13,1	0,0390	-	20	12,1				13,8	0,0451	-	30	12,5				14,2	0,0492	-	37	12,9				14,6	0,0523	-	57	13,8			15,5	0,0605	-	80	14,8		16,5	0,0697	-	105	15,9	18,9	0,0800	-		130	17	20	0,0902	10		155		17,4	20,4	0,0882	15	160				17,6	20,6	0,0900	35	180			18,4	21,4	0,0972	50	195	19,1	22,1		0,1026	60	205	19,5	22,5	0,1062	70	230	20,6	23,6	0,1152	80	280	22,8	25,8	0,1332	90	235	20,8	23,8	0,1170	110	255	21,7	24,7	0,1242	135	280	22,8	25,8	0,1332	225 x	180	235	27,1	30,1		0,1692	BFL	280	-		37		13,4	15,1		0,0587		BFL	-		-			9,8	11,5				0,0246	-		-	10,3				12	0,0287	-	-	10,8				12,5	0,0338	-	5	11,4				13,1	0,0390	-	20	12,1				13,8	0,0451	-	30	12,5				14,2	0,0492	-	37	12,9				14,6	0,0523	-	57	13,8			15,5	0,0605	-	80	14,8		16,5	0,0697	-	105	15,9	18,9	0,0800	-		130	17	20	0,0902	10		155		17,4	20,4	0,0882	15	160				17,6	20,6	0,0900	35	180			18,4	21,4	0,0972	50	195	19,1	22,1		0,1026	60	205	19,5	22,5	0,1062	70	230	20,6	23,6	0,1152	80	280	22,8	25,8	0,1332	90	235	20,8	23,8	0,1170	110	255	21,7	24,7	0,1242	135	280	22,8	25,8	0,1332	225 x	180	235	27,1	30,1		0,1692	BFL	280	-		57		14,4	16,1		0,0679		BFL	-		-			9,8	11,5				0,0246	-		-	10,3				12	0,0287	-	-	10,8				12,5	0,0338	-	5	11,4				13,1	0,0390	-	20	12,1				13,8	0,0451	-	30	12,5				14,2	0,0492	-	37	12,9				14,6	0,0523	-	57	13,8			15,5	0,0605	-	80	14,8		16,5	0,0697	-	105	15,9	18,9	0,0800	-		130	17	20	0,0902	10		155		17,4	20,4	0,0882	15	160				17,6	20,6	0,0900	35	180			18,4	21,4	0,0972	50	195	19,1	22,1		0,1026	60	205	19,5	22,5	0,1062	70	230	20,6	23,6	0,1152	80	280	22,8	25,8	0,1332	90	235	20,8	23,8	0,1170	110	255	21,7	24,7	0,1242	135	280	22,8	25,8	0,1332	225 x	180	235	27,1	30,1		0,1692	BFL	280	-		80		15,4	17,1		0,0782		BFL	-		-			9,8	11,5				0,0246	-		-	10,3				12	0,0287	-	-	10,8				12,5	0,0338	-	5	11,4				13,1	0,0390	-	20	12,1				13,8	0,0451	-	30	12,5				14,2	0,0492	-	37	12,9				14,6	0,0523	-	57	13,8			15,5	0,0605	-	80	14,8		16,5	0,0697	-	105	15,9	18,9	0,0800	-		130	17	20	0,0902	10		155		17,4	20,4	0,0882	15	160				17,6	20,6	0,0900	35	180			18,4	21,4	0,0972	50	195	19,1	22,1		0,1026	60	205	19,5	22,5	0,1062	70	230	20,6	23,6	0,1152	80	280	22,8	25,8	0,1332	90	235	20,8	23,8	0,1170	110	255	21,7	24,7	0,1242	135	280	22,8	25,8	0,1332	225 x	180	235	27,1	30,1		0,1692	BFL	280	-		105		16,6	19,6		0,0897		BFL	-		-			9,8	11,5				0,0246	-		-	10,3				12	0,0287	-	-	10,8				12,5	0,0338	-	5	11,4				13,1	0,0390	-	20	12,1				13,8	0,0451	-	30	12,5				14,2	0,0492	-	37	12,9				14,6	0,0523	-	57	13,8			15,5	0,0605	-	80	14,8		16,5	0,0697	-	105	15,9	18,9	0,0800	-		130	17	20	0,0902	10		155		17,4	20,4	0,0882	15	160				17,6	20,6	0,0900	35	180			18,4	21,4	0,0972	50	195	19,1	22,1		0,1026	60	205	19,5	22,5	0,1062	70	230	20,6	23,6	0,1152	80	280	22,8	25,8	0,1332	90	235	20,8	23,8	0,1170	110	255	21,7	24,7	0,1242	135	280	22,8	25,8	0,1332	225 x	180	235	27,1	30,1		0,1692	BFL	280	-		130		17,8	20,8		0,1012		BFL	-		-			9,8	11,5				0,0246	-		-	10,3				12	0,0287	-	-	10,8				12,5	0,0338	-	5	11,4				13,1	0,0390	-	20	12,1				13,8	0,0451	-	30	12,5				14,2	0,0492	-	37	12,9				14,6	0,0523	-	57	13,8			15,5	0,0605	-	80	14,8		16,5	0,0697	-	105	15,9	18,9	0,0800	-		130	17	20	0,0902	10		155		17,4	20,4	0,0882	15	160				17,6	20,6	0,0900	35	180			18,4	21,4	0,0972	50	195	19,1	22,1		0,1026	60	205	19,5	22,5	0,1062	70	230	20,6	23,6	0,1152	80	280	22,8	25,8	0,1332	90	235	20,8	23,8	0,1170	110	255	21,7	24,7	0,1242	135	280	22,8	25,8	0,1332	225 x	180	235	27,1	30,1		0,1692	BFL	280	-		155		18,9	21,9		0,1127		BFL	-		-			9,8	11,5				0,0246	-		-	10,3				12	0,0287	-	-	10,8				12,5	0,0338	-	5	11,4				13,1	0,0390	-	20	12,1				13,8	0,0451	-	30	12,5				14,2	0,0492	-	37	12,9				14,6	0,0523	-	57	13,8			15,5	0,0605	-	80	14,8		16,5	0,0697	-	105	15,9	18,9	0,0800	-		130	17	20	0,0902	10		155		17,4	20,4	0,0882	15	160				17,6	20,6	0,0900	35	180			18,4	21,4	0,0972	50	195	19,1	22,1		0,1026	60	205	19,5	22,5	0,1062	70	230	20,6	23,6	0,1152	80	280	22,8	25,8	0,1332	90	235	20,8	23,8	0,1170	110	255	21,7	24,7	0,1242	135	280	22																																																																																																																																																																																																																																																																																																																																
135	280	22,8	25,8	0,1332	280 x	180	235	27,1	30,1		0,1692	BFL	280	-		20		12,6	14,3		0,0506		BFL	-		-			9,8		11,5			0,0246	-				-	10,3		12	0,0287				-	-	10,8	12,5	0,0338				-	5	11,4	13,1	0,0390				-	20	12,1	13,8	0,0451				-	30	12,5	14,2	0,0492				-	37	12,9	14,6	0,0523				-	57	13,8	15,5	0,0605			-	80	14,8	16,5	0,0697		-	105	15,9	18,9	0,0800	-	130	17		20	0,0902	10	155	17,4		20,4		0,0882	15	160	17,6	20,6			0,0900	35	180	18,4	21,4	0,0972	50		195	19,1	22,1	0,1026	60	205	19,5	22,5	0,1062	70	230	20,6	23,6	0,1152	80	280	22,8	25,8	0,1332	90	235	20,8	23,8	0,1170	110	255	21,7	24,7	0,1242	135	280	22,8	25,8	0,1332	225 x	180	235	27,1	30,1		0,1692	BFL	280	-		30		13,1	14,8		0,0552		BFL	-		-			9,8		11,5			0,0246	-				-	10,3		12	0,0287				-	-	10,8	12,5	0,0338				-	5	11,4	13,1	0,0390				-	20	12,1	13,8	0,0451				-	30	12,5	14,2	0,0492				-	37	12,9	14,6	0,0523				-	57	13,8	15,5	0,0605			-	80	14,8	16,5	0,0697		-	105	15,9	18,9	0,0800	-	130	17		20	0,0902	10	155	17,4		20,4		0,0882	15	160	17,6	20,6			0,0900	35	180	18,4	21,4	0,0972	50		195	19,1	22,1	0,1026	60	205	19,5	22,5	0,1062	70	230	20,6	23,6	0,1152	80	280	22,8	25,8	0,1332	90	235	20,8	23,8	0,1170	110	255	21,7	24,7	0,1242	135	280	22,8	25,8	0,1332	225 x	180	235	27,1	30,1		0,1692	BFL	280	-		37		13,4	15,1		0,0587		BFL	-		-			9,8		11,5			0,0246	-				-	10,3		12	0,0287				-	-	10,8	12,5	0,0338				-	5	11,4	13,1	0,0390				-	20	12,1	13,8	0,0451				-	30	12,5	14,2	0,0492				-	37	12,9	14,6	0,0523				-	57	13,8	15,5	0,0605			-	80	14,8	16,5	0,0697		-	105	15,9	18,9	0,0800	-	130	17		20	0,0902	10	155	17,4		20,4		0,0882	15	160	17,6	20,6			0,0900	35	180	18,4	21,4	0,0972	50		195	19,1	22,1	0,1026	60	205	19,5	22,5	0,1062	70	230	20,6	23,6	0,1152	80	280	22,8	25,8	0,1332	90	235	20,8	23,8	0,1170	110	255	21,7	24,7	0,1242	135	280	22,8	25,8	0,1332	225 x	180	235	27,1	30,1		0,1692	BFL	280	-		57		14,4	16,1		0,0679		BFL	-		-			9,8		11,5			0,0246	-				-	10,3		12	0,0287				-	-	10,8	12,5	0,0338				-	5	11,4	13,1	0,0390				-	20	12,1	13,8	0,0451				-	30	12,5	14,2	0,0492				-	37	12,9	14,6	0,0523				-	57	13,8	15,5	0,0605			-	80	14,8	16,5	0,0697		-	105	15,9	18,9	0,0800	-	130	17		20	0,0902	10	155	17,4		20,4		0,0882	15	160	17,6	20,6			0,0900	35	180	18,4	21,4	0,0972	50		195	19,1	22,1	0,1026	60	205	19,5	22,5	0,1062	70	230	20,6	23,6	0,1152	80	280	22,8	25,8	0,1332	90	235	20,8	23,8	0,1170	110	255	21,7	24,7	0,1242	135	280	22,8	25,8	0,1332	225 x	180	235	27,1	30,1		0,1692	BFL	280	-		80		15,4	17,1		0,0782		BFL	-		-			9,8		11,5			0,0246	-				-	10,3		12	0,0287				-	-	10,8	12,5	0,0338				-	5	11,4	13,1	0,0390				-	20	12,1	13,8	0,0451				-	30	12,5	14,2	0,0492				-	37	12,9	14,6	0,0523				-	57	13,8	15,5	0,0605			-	80	14,8	16,5	0,0697		-	105	15,9	18,9	0,0800	-	130	17		20	0,0902	10	155	17,4		20,4		0,0882	15	160	17,6	20,6			0,0900	35	180	18,4	21,4	0,0972	50		195	19,1	22,1	0,1026	60	205	19,5	22,5	0,1062	70	230	20,6	23,6	0,1152	80	280	22,8	25,8	0,1332	90	235	20,8	23,8	0,1170	110	255	21,7	24,7	0,1242	135	280	22,8	25,8	0,1332	225 x	180	235	27,1	30,1		0,1692	BFL	280	-		105		16,6	19,6		0,0897		BFL	-		-			9,8		11,5			0,0246	-				-	10,3		12	0,0287				-	-	10,8	12,5	0,0338				-	5	11,4	13,1	0,0390				-	20	12,1	13,8	0,0451				-	30	12,5	14,2	0,0492				-	37	12,9	14,6	0,0523				-	57	13,8	15,5	0,0605			-	80	14,8	16,5	0,0697		-	105	15,9	18,9	0,0800	-	130	17		20	0,0902	10	155	17,4		20,4		0,0882	15	160	17,6	20,6			0,0900	35	180	18,4	21,4	0,0972	50		195	19,1	22,1	0,1026	60	205	19,5	22,5	0,1062	70	230	20,6	23,6	0,1152	80	280	22,8	25,8	0,1332	90	235	20,8	23,8	0,1170	110	255	21,7	24,7	0,1242	135	280	22,8	25,8	0,1332	225 x	180	235	27,1	30,1		0,1692	BFL	280	-		130		17,8	20,8		0,1012		BFL	-		-			9,8		11,5			0,0246	-				-	10,3		12	0,0287				-	-	10,8	12,5	0,0338				-	5	11,4	13,1	0,0390				-	20	12,1	13,8	0,0451				-	30	12,5	14,2	0,0492				-	37	12,9	14,6	0,0523				-	57	13,8	15,5	0,0605			-	80	14,8	16,5	0,0697		-	105	15,9	18,9	0,0800	-	130	17		20	0,0902	10	155	17,4		20,4		0,0882	15	160	17,6	20,6			0,0900	35	180	18,4	21,4	0,0972	50		195	19,1	22,1	0,1026	60	205	19,5	22,5	0,1062	70	230	20,6	23,6	0,1152	80	280	22,8	25,8	0,1332	90	235	20,8	23,8	0,1170	110	255	21,7	24,7	0,1242	135	280	22,8	25,8	0,1332	225 x	180	235	27,1	30,1		0,1692	BFL	280	-		155		18,9	21,9		0,1127		BFL	-		-			9,8		11,5			0,0246	-				-	10,3		12	0,0287				-	-	10,8	12,5	0,0338				-	5	11,4	13,1	0,0390				-	20	12,1	13,8	0,0451				-	30	12,5	14,2	0,0492				-	37	12,9	14,6	0,0523				-	57	13,8	15,5	0,0605			-	80	14,8	16,5	0,0697		-	105	15,9	18,9	0,0800	-	130	17		20	0,0902	10	155	17,4		20,4		0,0882	15	160	17,6	20,6			0,0900	35	180	18,4	21,4	0,0972	50		195	19,1	22,1	0,1026	60	205	19,5	22,5	0,1062	70	230	20,6	23,6	0,1152	80	280	22,8	25,8	0,1332	90	235	20,8	23,8	0,1170	110	255	21,7	24,7	0,1242	135	280	22																																																																																																																																																																																																																																																																																																																																					
280 x	180	235	27,1	30,1		0,1692	BFL	280	-		20		12,6	14,3		0,0506		BFL																																																																																																																																																																																																																																																																																																																																																																																																																																																																																																																																																																																																																																																																																																																																																																																																																																																																																																																																																																																																																																																																																																																																																																																																																																																																																																																																																																																																																																																																																																																																																																																																																																																													
	-	-	9,8	11,5		0,0246		-	-		10,3		12	0,0287		-			-		10,8			12,5		0,0338			-		5			11,4	13,1				0,0390	-		20	12,1				13,8	0,0451	-	30	12,5				14,2	0,0492	-	37	12,9				14,6	0,0523	-	57	13,8				15,5	0,0605	-	80	14,8				16,5	0,0697	-	105	15,9				18,9	0,0800	-	130	17			20	0,0902	10	155	17,4		20,4	0,0882	15	160	17,6	20,6	0,0900	35	180	18,4	21,4	0,0972	50	195	19,1	22,1	0,1026	60	205	19,5	22,5	0,1062	70	230	20,6	23,6	0,1152	80	280	22,8	25,8	0,1332	90	235	20,8	23,8	0,1170	110	255	21,7	24,7	0,1242	135	280	22,8	25,8	0,1332	225 x	180	235	27,1	30,1	0,1692	BFL	280	-	30	13,1	14,8	0,0552	BFL	-	-	9,8	11,5	0,0246		-	-	10,3	12		0,0287		-	-		10,8		12,5	0,0338		-			5		11,4			13,1		0,0390			-	20				12,1	13,8		0,0451	-				30	12,5	14,2	0,0492	-				37	12,9	14,6	0,0523	-				57	13,8	15,5	0,0605	-				80	14,8	16,5	0,0697	-				105	15,9	18,9	0,0800	-				130	17	20	0,0902	10			155	17,4	20,4	0,0882	15		160	17,6	20,6	0,0900	35	180	18,4	21,4	0,0972	50	195	19,1	22,1	0,1026	60	205	19,5	22,5	0,1062	70	230	20,6	23,6	0,1152	80	280	22,8	25,8	0,1332	90	235	20,8	23,8	0,1170	110	255	21,7	24,7	0,1242	135	280	22,8	25,8	0,1332	225 x	180	235	27,1	30,1	0,1692	BFL	280	-	37	13,4	15,1	0,0587	BFL	-	-	9,8	11,5	0,0246	-	-	10,3		12	0,0287	-	-		10,8		12,5	0,0338		-		5	11,4		13,1			0,0390		-			20		12,1			13,8	0,0451				-	30		12,5	14,2				0,0492	-	37	12,9	14,6				0,0523	-	57	13,8	15,5				0,0605	-	80	14,8	16,5				0,0697	-	105	15,9	18,9				0,0800	-	130	17	20				0,0902	10	155	17,4	20,4			0,0882	15	160	17,6	20,6		0,0900	35	180	18,4	21,4	0,0972	50	195	19,1	22,1	0,1026	60	205	19,5	22,5	0,1062	70	230	20,6	23,6	0,1152	80	280	22,8	25,8	0,1332	90	235	20,8	23,8	0,1170	110	255	21,7	24,7	0,1242	135	280	22,8	25,8	0,1332	225 x	180	235	27,1	30,1	0,1692	BFL	280	-	57	14,4	16,1	0,0679	BFL	-	-	9,8	11,5	0,0246	-	-	10,3	12	0,0287	-		-	10,8	12,5	0,0338		-		5	11,4		13,1		0,0390	-		20			12,1		13,8			0,0451		-			30	12,5				14,2	0,0492		-	37				12,9	14,6	0,0523	-	57				13,8	15,5	0,0605	-	80				14,8	16,5	0,0697	-	105				15,9	18,9	0,0800	-	130				17	20	0,0902	10	155				17,4	20,4	0,0882	15	160			17,6	20,6	0,0900	35	180		18,4	21,4	0,0972	50	195	19,1	22,1	0,1026	60	205	19,5	22,5	0,1062	70	230	20,6	23,6	0,1152	80	280	22,8	25,8	0,1332	90	235	20,8	23,8	0,1170	110	255	21,7	24,7	0,1242	135	280	22,8	25,8	0,1332	225 x	180	235	27,1	30,1	0,1692	BFL	280	-	80	15,4	17,1	0,0782	BFL	-	-	9,8	11,5	0,0246	-	-	10,3	12	0,0287	-	-	10,8	12,5		0,0338	-	5	11,4		13,1		0,0390	-		20		12,1	13,8		0,0451			-		30			12,5		14,2			0,0492	-				37	12,9		14,6	0,0523				-	57	13,8	15,5	0,0605				-	80	14,8	16,5	0,0697				-	105	15,9	18,9	0,0800				-	130	17	20	0,0902				10	155	17,4	20,4	0,0882				15	160	17,6	20,6	0,0900			35	180	18,4	21,4	0,0972		50	195	19,1	22,1	0,1026	60	205	19,5	22,5	0,1062	70	230	20,6	23,6	0,1152	80	280	22,8	25,8	0,1332	90	235	20,8	23,8	0,1170	110	255	21,7	24,7	0,1242	135	280	22,8	25,8	0,1332	225 x	180	235	27,1	30,1	0,1692	BFL	280	-	105	16,6	19,6	0,0897	BFL	-	-	9,8	11,5	0,0246	-	-	10,3	12	0,0287	-	-	10,8	12,5	0,0338	-	5		11,4	13,1	0,0390	-		20		12,1	13,8		0,0451		-	30		12,5			14,2		0,0492			-		37			12,9	14,6				0,0523	-		57	13,8				15,5	0,0605	-	80	14,8				16,5	0,0697	-	105	15,9				18,9	0,0800	-	130	17				20	0,0902	10	155	17,4				20,4	0,0882	15	160	17,6				20,6	0,0900	35	180	18,4			21,4	0,0972	50	195	19,1		22,1	0,1026	60	205	19,5	22,5	0,1062	70	230	20,6	23,6	0,1152	80	280	22,8	25,8	0,1332	90	235	20,8	23,8	0,1170	110	255	21,7	24,7	0,1242	135	280	22,8	25,8	0,1332	225 x	180	235	27,1	30,1	0,1692	BFL	280	-	130	17,8	20,8	0,1012	BFL	-	-	9,8	11,5	0,0246	-	-	10,3	12	0,0287	-	-	10,8	12,5	0,0338	-	5	11,4	13,1	0,0390		-	20	12,1	13,8		0,0451		-	30		12,5		14,2	0,0492		-			37		12,9			14,6		0,0523			-	57				13,8	15,5		0,0605	-				80	14,8	16,5	0,0697	-				105	15,9	18,9	0,0800	-				130	17	20	0,0902	10				155	17,4	20,4	0,0882	15				160	17,6	20,6	0,0900	35				180	18,4	21,4	0,0972	50			195	19,1	22,1	0,1026	60		205	19,5	22,5	0,1062	70	230	20,6	23,6	0,1152	80	280	22,8	25,8	0,1332	90	235	20,8	23,8	0,1170	110	255	21,7	24,7	0,1242	135	280	22,8	25,8	0,1332	225 x	180	235	27,1	30,1	0,1692	BFL	280	-	155	18,9	21,9	0,1127	BFL	-	-	9,8	11,5	0,0246	-	-	10,3	12	0,0287	-	-	10,8	12,5	0,0338	-	5	11,4	13,1	0,0390	-	20	12,1		13,8	0,0451	-	30		12,5		14,2	0,0492		-		37	12,9		14,6			0,0523		-			57		13,8			15,5	0,0605				-	80		14,8	16,5				0,0697	-	105	15,9	18,9				0,0800	-	130	17	20				0,0902	10	155	17,4	20,4				0,0882	15	160	17,6	20,6				0,0900	35	180	18,4	21,4				0,0972	50	195	19,1	22,1			0,1026	60	205	19,5	22,5		0,1062	70	230	20,6	23,6	0,1152	80	280	22,8	25,8	0,1332	90	235	20,8	23,8	0,1170	110	255	21,7	24,7	0,1242	135	280	22																																																																																																																																																																																																																																																																																																																																																																													
	-	-	10,3	12		0,0287		-	-		10,8		12,5	0,0338		-			5		11,4			13,1		0,0390			-		20			12,1	13,8				0,0451	-		30	12,5				14,2	0,0492	-	37	12,9				14,6	0,0523	-	57	13,8				15,5	0,0605	-	80	14,8				16,5	0,0697	-	105	15,9				18,9	0,0800	-	130	17				20	0,0902	10	155	17,4			20,4	0,0882	15	160	17,6		20,6	0,0900	35	180	18,4	21,4	0,0972	50	195	19,1	22,1	0,1026	60	205	19,5	22,5	0,1062	70	230	20,6	23,6	0,1152	80	280	22,8	25,8	0,1332	90	235	20,8	23,8	0,1170	110	255	21,7	24,7	0,1242	135	280	22,8	25,8	0,1332	225 x	180	235	27,1	30,1		0,1692	BFL	280	-	30		13,1	14,8	0,0552	BFL	-	-		9,8	11,5	0,0246	-	-		10,3	12	0,0287	-		-		10,8	12,5		0,0338		-	5		11,4			13,1		0,0390			-		20			12,1	13,8				0,0451	-		30	12,5				14,2	0,0492	-	37	12,9				14,6	0,0523	-	57	13,8				15,5	0,0605	-	80	14,8				16,5	0,0697	-	105	15,9				18,9	0,0800	-	130	17				20	0,0902	10	155	17,4			20,4	0,0882	15	160	17,6		20,6	0,0900	35	180	18,4	21,4	0,0972	50	195	19,1	22,1	0,1026	60	205	19,5	22,5	0,1062	70	230	20,6	23,6	0,1152	80	280	22,8	25,8	0,1332	90	235	20,8	23,8	0,1170	110	255	21,7	24,7	0,1242	135	280	22,8	25,8	0,1332	225 x	180		235	27,1	30,1	0,1692	BFL		280	-	37	13,4	15,1	0,0587		BFL	-	-	9,8	11,5	0,0246	-	-		10,3	12	0,0287	-		-		10,8	12,5		0,0338		-	5		11,4			13,1		0,0390			-		20			12,1	13,8				0,0451	-		30	12,5				14,2	0,0492	-	37	12,9				14,6	0,0523	-	57	13,8				15,5	0,0605	-	80	14,8				16,5	0,0697	-	105	15,9				18,9	0,0800	-	130	17				20	0,0902	10	155	17,4			20,4	0,0882	15	160	17,6		20,6	0,0900	35	180	18,4	21,4	0,0972	50	195	19,1	22,1	0,1026	60	205	19,5	22,5	0,1062	70	230	20,6	23,6	0,1152	80	280	22,8	25,8	0,1332	90	235	20,8	23,8	0,1170	110	255	21,7	24,7	0,1242	135	280	22,8	25,8		0,1332	225 x	180	235	27,1		30,1	0,1692	BFL	280	-	57		14,4	16,1	0,0679	BFL	-	-	9,8	11,5	0,0246	-	-		10,3	12	0,0287	-		-		10,8	12,5		0,0338		-	5		11,4			13,1		0,0390			-		20			12,1	13,8				0,0451	-		30	12,5				14,2	0,0492	-	37	12,9				14,6	0,0523	-	57	13,8				15,5	0,0605	-	80	14,8				16,5	0,0697	-	105	15,9				18,9	0,0800	-	130	17				20	0,0902	10	155	17,4			20,4	0,0882	15	160	17,6		20,6	0,0900	35	180	18,4	21,4	0,0972	50	195	19,1	22,1	0,1026	60	205	19,5	22,5	0,1062	70	230	20,6	23,6	0,1152	80	280	22,8	25,8	0,1332	90	235	20,8	23,8	0,1170	110	255	21,7	24,7	0,1242	135		280	22,8	25,8	0,1332	225 x		180	235	27,1	30,1	0,1692	BFL		280	-	80	15,4	17,1	0,0782	BFL	-	-	9,8	11,5	0,0246	-	-		10,3	12	0,0287	-		-		10,8	12,5		0,0338		-	5		11,4			13,1		0,0390			-		20			12,1	13,8				0,0451	-		30	12,5				14,2	0,0492	-	37	12,9				14,6	0,0523	-	57	13,8				15,5	0,0605	-	80	14,8				16,5	0,0697	-	105	15,9				18,9	0,0800	-	130	17				20	0,0902	10	155	17,4			20,4	0,0882	15	160	17,6		20,6	0,0900	35	180	18,4	21,4	0,0972	50	195	19,1	22,1	0,1026	60	205	19,5	22,5	0,1062	70	230	20,6	23,6	0,1152	80	280	22,8	25,8	0,1332	90	235	20,8	23,8	0,1170	110	255	21,7		24,7	0,1242	135	280	22,8		25,8	0,1332	225 x	180	235	27,1		30,1	0,1692	BFL	280	-	105	16,6	19,6	0,0897	BFL	-	-	9,8	11,5	0,0246	-	-		10,3	12	0,0287	-		-		10,8	12,5		0,0338		-	5		11,4			13,1		0,0390			-		20			12,1	13,8				0,0451	-		30	12,5				14,2	0,0492	-	37	12,9				14,6	0,0523	-	57	13,8				15,5	0,0605	-	80	14,8				16,5	0,0697	-	105	15,9				18,9	0,0800	-	130	17				20	0,0902	10	155	17,4			20,4	0,0882	15	160	17,6		20,6	0,0900	35	180	18,4	21,4	0,0972	50	195	19,1	22,1	0,1026	60	205	19,5	22,5	0,1062	70	230	20,6	23,6	0,1152	80	280	22,8	25,8	0,1332	90	235	20,8	23,8	0,1170		110	255	21,7	24,7	0,1242		135	280	22,8	25,8	0,1332	225 x		180	235	27,1	30,1	0,1692	BFL	280	-	130	17,8	20,8	0,1012	BFL	-	-	9,8	11,5	0,0246	-	-		10,3	12	0,0287	-		-		10,8	12,5		0,0338		-	5		11,4			13,1		0,0390			-		20			12,1	13,8				0,0451	-		30	12,5				14,2	0,0492	-	37	12,9				14,6	0,0523	-	57	13,8				15,5	0,0605	-	80	14,8				16,5	0,0697	-	105	15,9				18,9	0,0800	-	130	17				20	0,0902	10	155	17,4			20,4	0,0882	15	160	17,6		20,6	0,0900	35	180	18,4	21,4	0,0972	50	195	19,1	22,1	0,1026	60	205	19,5	22,5	0,1062	70	230	20,6	23,6	0,1152	80	280	22,8	25,8	0,1332	90	235		20,8	23,8	0,1170	110	255		21,7	24,7	0,1242	135	280	22,8		25,8	0,1332	225 x	180	235	27,1	30,1	0,1692	BFL	280	-	155	18,9	21,9	0,1127	BFL	-	-	9,8	11,5	0,0246	-	-		10,3	12	0,0287	-		-		10,8	12,5		0,0338		-	5		11,4			13,1		0,0390			-		20			12,1	13,8				0,0451	-		30	12,5				14,2	0,0492	-	37	12,9				14,6	0,0523	-	57	13,8				15,5	0,0605	-	80	14,8				16,5	0,0697	-	105	15,9				18,9	0,0800	-	130	17				20	0,0902	10	155	17,4			20,4	0,0882	15	160	17,6		20,6	0,0900	35	180	18,4	21,4	0,0972	50	195	19,1	22,1	0,1026	60	205	19,5	22,5	0,1062	70	230	20,6	23,6	0,1152	80	280	22,8	25,8	0,1332	90	235	20,8	23,8	0,1170	110	255	21,7	24,7	0,1242	135	280	22																																																																																																																																																																																																																																																																																																																																																													
	-	-	10,8	12,5		0,0338		-	5		11,4		13,1	0,0390		-			20		12,1			13,8		0,0451			-		30			12,5	14,2				0,0492	-		37	12,9				14,6	0,0523	-	57	13,8				15,5	0,0605	-	80	14,8				16,5	0,0697	-	105	15,9				18,9	0,0800	-	130	17				20	0,0902	10	155	17,4			20,4	0,0882	15	160	17,6	20,6	0,0900		35	180	18,4	21,4	0,0972	50	195	19,1	22,1	0,1026	60	205	19,5	22,5	0,1062	70	230	20,6	23,6	0,1152	80	280	22,8	25,8	0,1332	90	235	20,8	23,8	0,1170	110	255	21,7	24,7	0,1242	135	280	22,8	25,8	0,1332	225 x	180	235	27,1	30,1	0,1692	BFL	280		-	30	13,1	14,8		0,0552		BFL	-	-		9,8	11,5	0,0246		-	-		10,3	12	0,0287	-	-		10,8	12,5	0,0338	-		5		11,4	13,1		0,0390		-	20		12,1			13,8		0,0451			-		30			12,5	14,2				0,0492	-		37	12,9				14,6	0,0523	-	57	13,8				15,5	0,0605	-	80	14,8				16,5	0,0697	-	105	15,9				18,9	0,0800	-	130	17				20	0,0902	10	155	17,4			20,4	0,0882	15	160	17,6	20,6	0,0900		35	180	18,4	21,4	0,0972	50	195	19,1	22,1	0,1026	60	205	19,5	22,5	0,1062	70	230	20,6	23,6	0,1152	80	280	22,8	25,8	0,1332	90	235	20,8	23,8	0,1170	110	255	21,7	24,7	0,1242	135	280	22,8	25,8	0,1332	225 x	180	235	27,1	30,1	0,1692	BFL	280		-		37	13,4	15,1	0,0587			BFL	-	-	9,8	11,5	0,0246			-	-	10,3	12	0,0287	-	-		10,8	12,5	0,0338	-		5		11,4	13,1		0,0390		-	20		12,1			13,8		0,0451			-		30			12,5	14,2				0,0492	-		37	12,9				14,6	0,0523	-	57	13,8				15,5	0,0605	-	80	14,8				16,5	0,0697	-	105	15,9				18,9	0,0800	-	130	17				20	0,0902	10	155	17,4			20,4	0,0882	15	160	17,6	20,6	0,0900		35	180	18,4	21,4	0,0972	50	195	19,1	22,1	0,1026	60	205	19,5	22,5	0,1062	70	230	20,6	23,6	0,1152	80	280	22,8	25,8	0,1332	90	235	20,8	23,8	0,1170	110	255	21,7	24,7	0,1242	135	280	22,8	25,8	0,1332	225 x	180	235	27,1	30,1	0,1692	BFL		280		-	57	14,4		16,1	0,0679		BFL	-	-		9,8	11,5	0,0246		-	-	10,3	12	0,0287	-	-		10,8	12,5	0,0338	-		5		11,4	13,1		0,0390		-	20		12,1			13,8		0,0451			-		30			12,5	14,2				0,0492	-		37	12,9				14,6	0,0523	-	57	13,8				15,5	0,0605	-	80	14,8				16,5	0,0697	-	105	15,9				18,9	0,0800	-	130	17				20	0,0902	10	155	17,4			20,4	0,0882	15	160	17,6	20,6	0,0900		35	180	18,4	21,4	0,0972	50	195	19,1	22,1	0,1026	60	205	19,5	22,5	0,1062	70	230	20,6	23,6	0,1152	80	280	22,8	25,8	0,1332	90	235	20,8	23,8	0,1170	110	255	21,7	24,7	0,1242	135	280	22,8	25,8	0,1332	225 x	180	235	27,1		30,1	0,1692	BFL	280			-	80	15,4	17,1	0,0782			BFL	-	-	9,8	11,5	0,0246		-	-	10,3	12	0,0287	-	-		10,8	12,5	0,0338	-		5		11,4	13,1		0,0390		-	20		12,1			13,8		0,0451			-		30			12,5	14,2				0,0492	-		37	12,9				14,6	0,0523	-	57	13,8				15,5	0,0605	-	80	14,8				16,5	0,0697	-	105	15,9				18,9	0,0800	-	130	17				20	0,0902	10	155	17,4			20,4	0,0882	15	160	17,6	20,6	0,0900		35	180	18,4	21,4	0,0972	50	195	19,1	22,1	0,1026	60	205	19,5	22,5	0,1062	70	230	20,6	23,6	0,1152	80	280	22,8	25,8	0,1332	90	235	20,8	23,8	0,1170	110	255	21,7	24,7	0,1242	135	280	22,8	25,8	0,1332	225 x		180	235	27,1	30,1	0,1692		BFL	280		-	105	16,6		19,6	0,0897		BFL	-	-	9,8	11,5	0,0246		-	-	10,3	12	0,0287	-	-		10,8	12,5	0,0338	-		5		11,4	13,1		0,0390		-	20		12,1			13,8		0,0451			-		30			12,5	14,2				0,0492	-		37	12,9				14,6	0,0523	-	57	13,8				15,5	0,0605	-	80	14,8				16,5	0,0697	-	105	15,9				18,9	0,0800	-	130	17				20	0,0902	10	155	17,4			20,4	0,0882	15	160	17,6	20,6	0,0900		35	180	18,4	21,4	0,0972	50	195	19,1	22,1	0,1026	60	205	19,5	22,5	0,1062	70	230	20,6	23,6	0,1152	80	280	22,8	25,8	0,1332	90	235	20,8	23,8	0,1170	110	255	21,7	24,7	0,1242	135	280	22,8		25,8	0,1332	225 x	180	235		27,1	30,1	0,1692	BFL	280			-	130	17,8	20,8	0,1012		BFL	-	-	9,8	11,5	0,0246		-	-	10,3	12	0,0287	-	-		10,8	12,5	0,0338	-		5		11,4	13,1		0,0390		-	20		12,1			13,8		0,0451			-		30			12,5	14,2				0,0492	-		37	12,9				14,6	0,0523	-	57	13,8				15,5	0,0605	-	80	14,8				16,5	0,0697	-	105	15,9				18,9	0,0800	-	130	17				20	0,0902	10	155	17,4			20,4	0,0882	15	160	17,6	20,6	0,0900		35	180	18,4	21,4	0,0972	50	195	19,1	22,1	0,1026	60	205	19,5	22,5	0,1062	70	230	20,6	23,6	0,1152	80	280	22,8	25,8	0,1332	90	235	20,8	23,8	0,1170	110	255	21,7	24,7	0,1242		135	280	22,8	25,8	0,1332		225 x	180	235	27,1	30,1	0,1692		BFL	280		-	155	18,9	21,9	0,1127		BFL	-	-	9,8	11,5	0,0246		-	-	10,3	12	0,0287	-	-		10,8	12,5	0,0338	-		5		11,4	13,1		0,0390		-	20		12,1			13,8		0,0451			-		30			12,5	14,2				0,0492	-		37	12,9				14,6	0,0523	-	57	13,8				15,5	0,0605	-	80	14,8				16,5	0,0697	-	105	15,9				18,9	0,0800	-	130	17				20	0,0902	10	155	17,4			20,4	0,0882	15	160	17,6	20,6	0,0900		35	180	18,4	21,4	0,0972	50	195	19,1	22,1	0,1026	60	205	19,5	22,5	0,1062	70	230	20,6	23,6	0,1152	80	280	22,8	25,8	0,1332	90	235	20,8	23,8	0,1170	110	255	21,7	24,7	0,1242	135	280	22																																																																																																																																																																																																																																																																																																																																																																					
	-	5	11,4	13,1		0,0390		-	20		12,1		13,8	0,0451		-			30		12,5			14,2		0,0492			-		37			12,9	14,6				0,0523	-		57	13,8				15,5	0,0605	-	80	14,8				16,5	0,0697	-	105	15,9				18,9	0,0800	-	130	17				20	0,0902	10	155	17,4			20,4	0,0882	15	160	17,6	20,6	0,0900		35	180	18,4	21,4	0,0972	50	195	19,1	22,1	0,1026	60	205	19,5	22,5	0,1062	70	230	20,6	23,6	0,1152	80	280	22,8	25,8	0,1332	90	235	20,8	23,8	0,1170	110	255	21,7	24,7	0,1242	135	280	22,8	25,8	0,1332	225 x	180	235	27,1	30,1	0,1692	BFL	280		-	30	13,1	14,8	0,0552		BFL		-	-	9,8	11,5		0,0246			-	-		10,3	12	0,0287		-	-		10,8	12,5	0,0338	-	5		11,4	13,1	0,0390	-		20		12,1	13,8		0,0451		-	30		12,5			14,2		0,0492			-		37			12,9	14,6				0,0523	-		57	13,8				15,5	0,0605	-	80	14,8				16,5	0,0697	-	105	15,9				18,9	0,0800	-	130	17				20	0,0902	10	155	17,4			20,4	0,0882	15	160	17,6	20,6	0,0900		35	180	18,4	21,4	0,0972	50	195	19,1	22,1	0,1026	60	205	19,5	22,5	0,1062	70	230	20,6	23,6	0,1152	80	280	22,8	25,8	0,1332	90	235	20,8	23,8	0,1170	110	255	21,7	24,7	0,1242	135	280	22,8	25,8	0,1332	225 x	180	235	27,1	30,1	0,1692	BFL	280		-	37	13,4	15,1	0,0587		BFL		-		-	9,8	11,5	0,0246				-	-	10,3	12	0,0287			-	-	10,8	12,5	0,0338	-	5		11,4	13,1	0,0390	-		20		12,1	13,8		0,0451		-	30		12,5			14,2		0,0492			-		37			12,9	14,6				0,0523	-		57	13,8				15,5	0,0605	-	80	14,8				16,5	0,0697	-	105	15,9				18,9	0,0800	-	130	17				20	0,0902	10	155	17,4			20,4	0,0882	15	160	17,6	20,6	0,0900		35	180	18,4	21,4	0,0972	50	195	19,1	22,1	0,1026	60	205	19,5	22,5	0,1062	70	230	20,6	23,6	0,1152	80	280	22,8	25,8	0,1332	90	235	20,8	23,8	0,1170	110	255	21,7	24,7	0,1242	135	280	22,8	25,8	0,1332	225 x	180	235	27,1	30,1	0,1692	BFL	280		-	57	14,4	16,1	0,0679			BFL		-	-	9,8		11,5	0,0246			-	-		10,3	12	0,0287		-	-	10,8	12,5	0,0338	-	5		11,4	13,1	0,0390	-		20		12,1	13,8		0,0451		-	30		12,5			14,2		0,0492			-		37			12,9	14,6				0,0523	-		57	13,8				15,5	0,0605	-	80	14,8				16,5	0,0697	-	105	15,9				18,9	0,0800	-	130	17				20	0,0902	10	155	17,4			20,4	0,0882	15	160	17,6	20,6	0,0900		35	180	18,4	21,4	0,0972	50	195	19,1	22,1	0,1026	60	205	19,5	22,5	0,1062	70	230	20,6	23,6	0,1152	80	280	22,8	25,8	0,1332	90	235	20,8	23,8	0,1170	110	255	21,7	24,7	0,1242	135	280	22,8	25,8	0,1332	225 x	180	235	27,1	30,1	0,1692	BFL	280		-	80	15,4		17,1	0,0782		BFL			-	-	9,8	11,5	0,0246				-	-	10,3	12	0,0287		-	-	10,8	12,5	0,0338	-	5		11,4	13,1	0,0390	-		20		12,1	13,8		0,0451		-	30		12,5			14,2		0,0492			-		37			12,9	14,6				0,0523	-		57	13,8				15,5	0,0605	-	80	14,8				16,5	0,0697	-	105	15,9				18,9	0,0800	-	130	17				20	0,0902	10	155	17,4			20,4	0,0882	15	160	17,6	20,6	0,0900		35	180	18,4	21,4	0,0972	50	195	19,1	22,1	0,1026	60	205	19,5	22,5	0,1062	70	230	20,6	23,6	0,1152	80	280	22,8	25,8	0,1332	90	235	20,8	23,8	0,1170	110	255	21,7	24,7	0,1242	135	280	22,8	25,8	0,1332	225 x	180	235	27,1	30,1	0,1692	BFL	280			-	105	16,6	19,6	0,0897			BFL		-	-	9,8		11,5	0,0246			-	-	10,3	12	0,0287		-	-	10,8	12,5	0,0338	-	5		11,4	13,1	0,0390	-		20		12,1	13,8		0,0451		-	30		12,5			14,2		0,0492			-		37			12,9	14,6				0,0523	-		57	13,8				15,5	0,0605	-	80	14,8				16,5	0,0697	-	105	15,9				18,9	0,0800	-	130	17				20	0,0902	10	155	17,4			20,4	0,0882	15	160	17,6	20,6	0,0900		35	180	18,4	21,4	0,0972	50	195	19,1	22,1	0,1026	60	205	19,5	22,5	0,1062	70	230	20,6	23,6	0,1152	80	280	22,8	25,8	0,1332	90	235	20,8	23,8	0,1170	110	255	21,7	24,7	0,1242	135	280	22,8	25,8	0,1332	225 x	180	235	27,1	30,1	0,1692		BFL	280		-	130		17,8	20,8	0,1012		BFL			-	-	9,8	11,5	0,0246			-	-	10,3	12	0,0287		-	-	10,8	12,5	0,0338	-	5		11,4	13,1	0,0390	-		20		12,1	13,8		0,0451		-	30		12,5			14,2		0,0492			-		37			12,9	14,6				0,0523	-		57	13,8				15,5	0,0605	-	80	14,8				16,5	0,0697	-	105	15,9				18,9	0,0800	-	130	17				20	0,0902	10	155	17,4			20,4	0,0882	15	160	17,6	20,6	0,0900		35	180	18,4	21,4	0,0972	50	195	19,1	22,1	0,1026	60	205	19,5	22,5	0,1062	70	230	20,6	23,6	0,1152	80	280	22,8	25,8	0,1332	90	235	20,8	23,8	0,1170	110	255	21,7	24,7	0,1242	135	280	22,8	25,8	0,1332	225 x	180	235		27,1	30,1	0,1692	BFL	280			-	155	18,9	21,9	0,1127			BFL		-	-	9,8	11,5	0,0246			-	-	10,3	12	0,0287		-	-	10,8	12,5	0,0338	-	5		11,4	13,1	0,0390	-		20		12,1	13,8		0,0451		-	30		12,5			14,2		0,0492			-		37			12,9	14,6				0,0523	-		57	13,8				15,5	0,0605	-	80	14,8				16,5	0,0697	-	105	15,9				18,9	0,0800	-	130	17				20	0,0902	10	155	17,4			20,4	0,0882	15	160	17,6	20,6	0,0900		35	180	18,4	21,4	0,0972	50	195	19,1	22,1	0,1026	60	205	19,5	22,5	0,1062	70	230	20,6	23,6	0,1152	80	280	22,8	25,8	0,1332	90	235	20,8	23,8	0,1170	110	255	21,7	24,7	0,1242	135	280	22																																																																																																																																																																																																																																																																																																																																																																													
	-	20	12,1	13,8		0,0451		-	30		12,5		14,2	0,0492		-			37		12,9			14,6		0,0523			-		57			13,8	15,5				0,0605	-		80	14,8				16,5	0,0697	-	105	15,9				18,9	0,0800	-	130	17				20	0,0902	10	155	17,4			20,4	0,0882	15	160	17,6	20,6	0,0900		35	180	18,4	21,4	0,0972	50	195	19,1	22,1	0,1026	60	205	19,5	22,5	0,1062	70	230	20,6	23,6	0,1152	80	280	22,8	25,8	0,1332	90	235	20,8	23,8	0,1170	110	255	21,7	24,7	0,1242	135	280	22,8	25,8	0,1332	225 x	180	235	27,1	30,1	0,1692	BFL	280		-	30	13,1	14,8	0,0552		BFL		-	-	9,8	11,5	0,0246				-	-	10,3	12		0,0287			-	-		10,8	12,5	0,0338		-	5		11,4	13,1	0,0390	-	20		12,1	13,8	0,0451	-		30		12,5	14,2		0,0492		-	37		12,9			14,6		0,0523			-		57			13,8	15,5				0,0605	-		80	14,8				16,5	0,0697	-	105	15,9				18,9	0,0800	-	130	17				20	0,0902	10	155	17,4			20,4	0,0882	15	160	17,6	20,6	0,0900		35	180	18,4	21,4	0,0972	50	195	19,1	22,1	0,1026	60	205	19,5	22,5	0,1062	70	230	20,6	23,6	0,1152	80	280	22,8	25,8	0,1332	90	235	20,8	23,8	0,1170	110	255	21,7	24,7	0,1242	135	280	22,8	25,8	0,1332	225 x	180	235	27,1	30,1	0,1692	BFL	280		-	37	13,4	15,1	0,0587		BFL		-	-	9,8	11,5	0,0246				-		-	10,3	12	0,0287				-	-	10,8	12,5	0,0338			-	5	11,4	13,1	0,0390	-	20		12,1	13,8	0,0451	-		30		12,5	14,2		0,0492		-	37		12,9			14,6		0,0523			-		57			13,8	15,5				0,0605	-		80	14,8				16,5	0,0697	-	105	15,9				18,9	0,0800	-	130	17				20	0,0902	10	155	17,4			20,4	0,0882	15	160	17,6	20,6	0,0900		35	180	18,4	21,4	0,0972	50	195	19,1	22,1	0,1026	60	205	19,5	22,5	0,1062	70	230	20,6	23,6	0,1152	80	280	22,8	25,8	0,1332	90	235	20,8	23,8	0,1170	110	255	21,7	24,7	0,1242	135	280	22,8	25,8	0,1332	225 x	180	235	27,1	30,1	0,1692	BFL	280		-	57	14,4	16,1	0,0679		BFL		-	-	9,8	11,5	0,0246					-	-	10,3		12	0,0287			-	-		10,8	12,5	0,0338		-	5	11,4	13,1	0,0390	-	20		12,1	13,8	0,0451	-		30		12,5	14,2		0,0492		-	37		12,9			14,6		0,0523			-		57			13,8	15,5				0,0605	-		80	14,8				16,5	0,0697	-	105	15,9				18,9	0,0800	-	130	17				20	0,0902	10	155	17,4			20,4	0,0882	15	160	17,6	20,6	0,0900		35	180	18,4	21,4	0,0972	50	195	19,1	22,1	0,1026	60	205	19,5	22,5	0,1062	70	230	20,6	23,6	0,1152	80	280	22,8	25,8	0,1332	90	235	20,8	23,8	0,1170	110	255	21,7	24,7	0,1242	135	280	22,8	25,8	0,1332	225 x	180	235	27,1	30,1	0,1692	BFL	280		-	80	15,4	17,1	0,0782		BFL		-	-	9,8		11,5	0,0246					-	-	10,3	12	0,0287				-	-	10,8	12,5	0,0338		-	5	11,4	13,1	0,0390	-	20		12,1	13,8	0,0451	-		30		12,5	14,2		0,0492		-	37		12,9			14,6		0,0523			-		57			13,8	15,5				0,0605	-		80	14,8				16,5	0,0697	-	105	15,9				18,9	0,0800	-	130	17				20	0,0902	10	155	17,4			20,4	0,0882	15	160	17,6	20,6	0,0900		35	180	18,4	21,4	0,0972	50	195	19,1	22,1	0,1026	60	205	19,5	22,5	0,1062	70	230	20,6	23,6	0,1152	80	280	22,8	25,8	0,1332	90	235	20,8	23,8	0,1170	110	255	21,7	24,7	0,1242	135	280	22,8	25,8	0,1332	225 x	180	235	27,1	30,1	0,1692	BFL	280		-	105	16,6	19,6	0,0897		BFL			-	-	9,8	11,5	0,0246					-	-	10,3		12	0,0287			-	-	10,8	12,5	0,0338		-	5	11,4	13,1	0,0390	-	20		12,1	13,8	0,0451	-		30		12,5	14,2		0,0492		-	37		12,9			14,6		0,0523			-		57			13,8	15,5				0,0605	-		80	14,8				16,5	0,0697	-	105	15,9				18,9	0,0800	-	130	17				20	0,0902	10	155	17,4			20,4	0,0882	15	160	17,6	20,6	0,0900		35	180	18,4	21,4	0,0972	50	195	19,1	22,1	0,1026	60	205	19,5	22,5	0,1062	70	230	20,6	23,6	0,1152	80	280	22,8	25,8	0,1332	90	235	20,8	23,8	0,1170	110	255	21,7	24,7	0,1242	135	280	22,8	25,8	0,1332	225 x	180	235	27,1	30,1	0,1692	BFL	280		-	130	17,8	20,8	0,1012			BFL		-	-		9,8	11,5	0,0246					-	-	10,3	12	0,0287			-	-	10,8	12,5	0,0338		-	5	11,4	13,1	0,0390	-	20		12,1	13,8	0,0451	-		30		12,5	14,2		0,0492		-	37		12,9			14,6		0,0523			-		57			13,8	15,5				0,0605	-		80	14,8				16,5	0,0697	-	105	15,9				18,9	0,0800	-	130	17				20	0,0902	10	155	17,4			20,4	0,0882	15	160	17,6	20,6	0,0900		35	180	18,4	21,4	0,0972	50	195	19,1	22,1	0,1026	60	205	19,5	22,5	0,1062	70	230	20,6	23,6	0,1152	80	280	22,8	25,8	0,1332	90	235	20,8	23,8	0,1170	110	255	21,7	24,7	0,1242	135	280	22,8	25,8	0,1332	225 x	180	235	27,1	30,1	0,1692	BFL	280		-	155		18,9	21,9	0,1127		BFL			-	-	9,8	11,5	0,0246					-	-	10,3	12	0,0287			-	-	10,8	12,5	0,0338		-	5	11,4	13,1	0,0390	-	20		12,1	13,8	0,0451	-		30		12,5	14,2		0,0492		-	37		12,9			14,6		0,0523			-		57			13,8	15,5				0,0605	-		80	14,8				16,5	0,0697	-	105	15,9				18,9	0,0800	-	130	17				20	0,0902	10	155	17,4			20,4	0,0882	15	160	17,6	20,6	0,0900		35	180	18,4	21,4	0,0972	50	195	19,1	22,1	0,1026	60	205	19,5	22,5	0,1062	70	230	20,6	23,6	0,1152	80	280	22,8	25,8	0,1332	90	235	20,8	23,8	0,1170	110	255	21,7	24,7	0,1242	135	280	22																																																																																																																																																																																																																																																																																																																																																																																					
	-	30	12,5	14,2		0,0492		-	37		12,9		14,6	0,0523		-			57		13,8			15,5		0,0605			-		80			14,8	16,5				0,0697	-		105	15,9				18,9	0,0800	-	130	17				20	0,0902	10	155	17,4			20,4	0,0882	15	160	17,6	20,6	0,0900		35	180	18,4	21,4	0,0972	50	195	19,1	22,1	0,1026	60	205	19,5	22,5	0,1062	70	230	20,6	23,6	0,1152	80	280	22,8	25,8	0,1332	90	235	20,8	23,8	0,1170	110	255	21,7	24,7	0,1242	135	280	22,8	25,8	0,1332	225 x	180	235	27,1	30,1	0,1692	BFL	280		-	30	13,1	14,8	0,0552		BFL		-	-	9,8	11,5	0,0246				-	-	10,3	12	0,0287				-	-	10,8	12,5		0,0338			-	5		11,4	13,1	0,0390		-	20		12,1	13,8	0,0451	-	30		12,5	14,2	0,0492	-		37		12,9	14,6		0,0523		-	57		13,8			15,5		0,0605			-		80			14,8	16,5				0,0697	-		105	15,9				18,9	0,0800	-	130	17				20	0,0902	10	155	17,4			20,4	0,0882	15	160	17,6	20,6	0,0900		35	180	18,4	21,4	0,0972	50	195	19,1	22,1	0,1026	60	205	19,5	22,5	0,1062	70	230	20,6	23,6	0,1152	80	280	22,8	25,8	0,1332	90	235	20,8	23,8	0,1170	110	255	21,7	24,7	0,1242	135	280	22,8	25,8	0,1332	225 x	180	235	27,1	30,1	0,1692	BFL	280		-	37	13,4	15,1	0,0587		BFL		-	-	9,8	11,5	0,0246				-	-	10,3	12	0,0287				-		-	10,8	12,5	0,0338				-	5	11,4	13,1	0,0390			-	20	12,1	13,8	0,0451	-	30		12,5	14,2	0,0492	-		37		12,9	14,6		0,0523		-	57		13,8			15,5		0,0605			-		80			14,8	16,5				0,0697	-		105	15,9				18,9	0,0800	-	130	17				20	0,0902	10	155	17,4			20,4	0,0882	15	160	17,6	20,6	0,0900		35	180	18,4	21,4	0,0972	50	195	19,1	22,1	0,1026	60	205	19,5	22,5	0,1062	70	230	20,6	23,6	0,1152	80	280	22,8	25,8	0,1332	90	235	20,8	23,8	0,1170	110	255	21,7	24,7	0,1242	135	280	22,8	25,8	0,1332	225 x	180	235	27,1	30,1	0,1692	BFL	280		-	57	14,4	16,1	0,0679		BFL		-	-	9,8	11,5	0,0246				-	-	10,3	12	0,0287					-	-	10,8		12,5	0,0338			-	5		11,4	13,1	0,0390		-	20	12,1	13,8	0,0451	-	30		12,5	14,2	0,0492	-		37		12,9	14,6		0,0523		-	57		13,8			15,5		0,0605			-		80			14,8	16,5				0,0697	-		105	15,9				18,9	0,0800	-	130	17				20	0,0902	10	155	17,4			20,4	0,0882	15	160	17,6	20,6	0,0900		35	180	18,4	21,4	0,0972	50	195	19,1	22,1	0,1026	60	205	19,5	22,5	0,1062	70	230	20,6	23,6	0,1152	80	280	22,8	25,8	0,1332	90	235	20,8	23,8	0,1170	110	255	21,7	24,7	0,1242	135	280	22,8	25,8	0,1332	225 x	180	235	27,1	30,1	0,1692	BFL	280		-	80	15,4	17,1	0,0782		BFL		-	-	9,8	11,5	0,0246				-	-	10,3		12	0,0287					-	-	10,8	12,5	0,0338				-	5	11,4	13,1	0,0390		-	20	12,1	13,8	0,0451	-	30		12,5	14,2	0,0492	-		37		12,9	14,6		0,0523		-	57		13,8			15,5		0,0605			-		80			14,8	16,5				0,0697	-		105	15,9				18,9	0,0800	-	130	17				20	0,0902	10	155	17,4			20,4	0,0882	15	160	17,6	20,6	0,0900		35	180	18,4	21,4	0,0972	50	195	19,1	22,1	0,1026	60	205	19,5	22,5	0,1062	70	230	20,6	23,6	0,1152	80	280	22,8	25,8	0,1332	90	235	20,8	23,8	0,1170	110	255	21,7	24,7	0,1242	135	280	22,8	25,8	0,1332	225 x	180	235	27,1	30,1	0,1692	BFL	280		-	105	16,6	19,6	0,0897		BFL		-	-	9,8	11,5	0,0246					-	-	10,3	12	0,0287					-	-	10,8		12,5	0,0338			-	5	11,4	13,1	0,0390		-	20	12,1	13,8	0,0451	-	30		12,5	14,2	0,0492	-		37		12,9	14,6		0,0523		-	57		13,8			15,5		0,0605			-		80			14,8	16,5				0,0697	-		105	15,9				18,9	0,0800	-	130	17				20	0,0902	10	155	17,4			20,4	0,0882	15	160	17,6	20,6	0,0900		35	180	18,4	21,4	0,0972	50	195	19,1	22,1	0,1026	60	205	19,5	22,5	0,1062	70	230	20,6	23,6	0,1152	80	280	22,8	25,8	0,1332	90	235	20,8	23,8	0,1170	110	255	21,7	24,7	0,1242	135	280	22,8	25,8	0,1332	225 x	180	235	27,1	30,1	0,1692	BFL	280		-	130	17,8	20,8	0,1012		BFL		-	-	9,8	11,5	0,0246					-	-		10,3	12	0,0287					-	-	10,8	12,5	0,0338			-	5	11,4	13,1	0,0390		-	20	12,1	13,8	0,0451	-	30		12,5	14,2	0,0492	-		37		12,9	14,6		0,0523		-	57		13,8			15,5		0,0605			-		80			14,8	16,5				0,0697	-		105	15,9				18,9	0,0800	-	130	17				20	0,0902	10	155	17,4			20,4	0,0882	15	160	17,6	20,6	0,0900		35	180	18,4	21,4	0,0972	50	195	19,1	22,1	0,1026	60	205	19,5	22,5	0,1062	70	230	20,6	23,6	0,1152	80	280	22,8	25,8	0,1332	90	235	20,8	23,8	0,1170	110	255	21,7	24,7	0,1242	135	280	22,8	25,8	0,1332	225 x	180	235	27,1	30,1	0,1692	BFL	280		-	155	18,9	21,9	0,1127		BFL		-	-		9,8	11,5	0,0246					-	-	10,3	12	0,0287					-	-	10,8	12,5	0,0338			-	5	11,4	13,1	0,0390		-	20	12,1	13,8	0,0451	-	30		12,5	14,2	0,0492	-		37		12,9	14,6		0,0523		-	57		13,8			15,5		0,0605			-		80			14,8	16,5				0,0697	-		105	15,9				18,9	0,0800	-	130	17				20	0,0902	10	155	17,4			20,4	0,0882	15	160	17,6	20,6	0,0900		35	180	18,4	21,4	0,0972	50	195	19,1	22,1	0,1026	60	205	19,5	22,5	0,1062	70	230	20,6	23,6	0,1152	80	280	22,8	25,8	0,1332	90	235	20,8	23,8	0,1170	110	255	21,7	24,7	0,1242	135	280	22																																																																																																																																																																																																																																																																																																																																																																																													
	-	37	12,9	14,6		0,0523		-	57		13,8		15,5	0,0605		-			80		14,8			16,5		0,0697			-		105			15,9	18,9				0,0800	-		130	17				20	0,0902	10	155	17,4			20,4	0,0882	15	160	17,6	20,6	0,0900		35	180	18,4	21,4	0,0972	50	195	19,1	22,1	0,1026	60	205	19,5	22,5	0,1062	70	230	20,6	23,6	0,1152	80	280	22,8	25,8	0,1332	90	235	20,8	23,8	0,1170	110	255	21,7	24,7	0,1242	135	280	22,8	25,8	0,1332	225 x	180	235	27,1	30,1	0,1692	BFL	280		-	30	13,1	14,8	0,0552		BFL		-	-	9,8	11,5	0,0246				-	-	10,3	12	0,0287				-	-	10,8	12,5	0,0338				-	5	11,4	13,1		0,0390			-	20		12,1	13,8	0,0451		-	30		12,5	14,2	0,0492	-	37		12,9	14,6	0,0523	-		57		13,8	15,5		0,0605		-	80		14,8			16,5		0,0697			-		105			15,9	18,9				0,0800	-		130	17				20	0,0902	10	155	17,4			20,4	0,0882	15	160	17,6	20,6	0,0900		35	180	18,4	21,4	0,0972	50	195	19,1	22,1	0,1026	60	205	19,5	22,5	0,1062	70	230	20,6	23,6	0,1152	80	280	22,8	25,8	0,1332	90	235	20,8	23,8	0,1170	110	255	21,7	24,7	0,1242	135	280	22,8	25,8	0,1332	225 x	180	235	27,1	30,1	0,1692	BFL	280		-	37	13,4	15,1	0,0587		BFL		-	-	9,8	11,5	0,0246				-	-	10,3	12	0,0287				-	-	10,8	12,5	0,0338				-		5	11,4	13,1	0,0390				-	20	12,1	13,8	0,0451			-	30	12,5	14,2	0,0492	-	37		12,9	14,6	0,0523	-		57		13,8	15,5		0,0605		-	80		14,8			16,5		0,0697			-		105			15,9	18,9				0,0800	-		130	17				20	0,0902	10	155	17,4			20,4	0,0882	15	160	17,6	20,6	0,0900		35	180	18,4	21,4	0,0972	50	195	19,1	22,1	0,1026	60	205	19,5	22,5	0,1062	70	230	20,6	23,6	0,1152	80	280	22,8	25,8	0,1332	90	235	20,8	23,8	0,1170	110	255	21,7	24,7	0,1242	135	280	22,8	25,8	0,1332	225 x	180	235	27,1	30,1	0,1692	BFL	280		-	57	14,4	16,1	0,0679		BFL		-	-	9,8	11,5	0,0246				-	-	10,3	12	0,0287				-	-	10,8	12,5	0,0338					-	5	11,4		13,1	0,0390			-	20		12,1	13,8	0,0451		-	30	12,5	14,2	0,0492	-	37		12,9	14,6	0,0523	-		57		13,8	15,5		0,0605		-	80		14,8			16,5		0,0697			-		105			15,9	18,9				0,0800	-		130	17				20	0,0902	10	155	17,4			20,4	0,0882	15	160	17,6	20,6	0,0900		35	180	18,4	21,4	0,0972	50	195	19,1	22,1	0,1026	60	205	19,5	22,5	0,1062	70	230	20,6	23,6	0,1152	80	280	22,8	25,8	0,1332	90	235	20,8	23,8	0,1170	110	255	21,7	24,7	0,1242	135	280	22,8	25,8	0,1332	225 x	180	235	27,1	30,1	0,1692	BFL	280		-	80	15,4	17,1	0,0782		BFL		-	-	9,8	11,5	0,0246				-	-	10,3	12	0,0287				-	-	10,8		12,5	0,0338					-	5	11,4	13,1	0,0390				-	20	12,1	13,8	0,0451		-	30	12,5	14,2	0,0492	-	37		12,9	14,6	0,0523	-		57		13,8	15,5		0,0605		-	80		14,8			16,5		0,0697			-		105			15,9	18,9				0,0800	-		130	17				20	0,0902	10	155	17,4			20,4	0,0882	15	160	17,6	20,6	0,0900		35	180	18,4	21,4	0,0972	50	195	19,1	22,1	0,1026	60	205	19,5	22,5	0,1062	70	230	20,6	23,6	0,1152	80	280	22,8	25,8	0,1332	90	235	20,8	23,8	0,1170	110	255	21,7	24,7	0,1242	135	280	22,8	25,8	0,1332	225 x	180	235	27,1	30,1	0,1692	BFL	280		-	105	16,6	19,6	0,0897		BFL		-	-	9,8	11,5	0,0246				-	-	10,3	12	0,0287					-	-	10,8	12,5	0,0338					-	5	11,4		13,1	0,0390			-	20	12,1	13,8	0,0451		-	30	12,5	14,2	0,0492	-	37		12,9	14,6	0,0523	-		57		13,8	15,5		0,0605		-	80		14,8			16,5		0,0697			-		105			15,9	18,9				0,0800	-		130	17				20	0,0902	10	155	17,4			20,4	0,0882	15	160	17,6	20,6	0,0900		35	180	18,4	21,4	0,0972	50	195	19,1	22,1	0,1026	60	205	19,5	22,5	0,1062	70	230	20,6	23,6	0,1152	80	280	22,8	25,8	0,1332	90	235	20,8	23,8	0,1170	110	255	21,7	24,7	0,1242	135	280	22,8	25,8	0,1332	225 x	180	235	27,1	30,1	0,1692	BFL	280		-	130	17,8	20,8	0,1012		BFL		-	-	9,8	11,5	0,0246				-	-	10,3	12	0,0287					-	-		10,8	12,5	0,0338					-	5	11,4	13,1	0,0390			-	20	12,1	13,8	0,0451		-	30	12,5	14,2	0,0492	-	37		12,9	14,6	0,0523	-		57		13,8	15,5		0,0605		-	80		14,8			16,5		0,0697			-		105			15,9	18,9				0,0800	-		130	17				20	0,0902	10	155	17,4			20,4	0,0882	15	160	17,6	20,6	0,0900		35	180	18,4	21,4	0,0972	50	195	19,1	22,1	0,1026	60	205	19,5	22,5	0,1062	70	230	20,6	23,6	0,1152	80	280	22,8	25,8	0,1332	90	235	20,8	23,8	0,1170	110	255	21,7	24,7	0,1242	135	280	22,8	25,8	0,1332	225 x	180	235	27,1	30,1	0,1692	BFL	280		-	155	18,9	21,9	0,1127		BFL		-	-	9,8	11,5	0,0246				-	-		10,3	12	0,0287					-	-	10,8	12,5	0,0338					-	5	11,4	13,1	0,0390			-	20	12,1	13,8	0,0451		-	30	12,5	14,2	0,0492	-	37		12,9	14,6	0,0523	-		57		13,8	15,5		0,0605		-	80		14,8			16,5		0,0697			-		105			15,9	18,9				0,0800	-		130	17				20	0,0902	10	155	17,4			20,4	0,0882	15	160	17,6	20,6	0,0900		35	180	18,4	21,4	0,0972	50	195	19,1	22,1	0,1026	60	205	19,5	22,5	0,1062	70	230	20,6	23,6	0,1152	80	280	22,8	25,8	0,1332	90	235	20,8	23,8	0,1170	110	255	21,7	24,7	0,1242	135	280	22																																																																																																																																																																																																																																																																																																																																																																																																					
	-	57	13,8	15,5		0,0605		-	80		14,8		16,5	0,0697		-			105		15,9			18,9		0,0800			-		130			17	20				0,0902	10		155	17,4			20,4	0,0882	15	160	17,6	20,6	0,0900		35	180	18,4	21,4	0,0972	50	195	19,1	22,1	0,1026	60	205	19,5	22,5	0,1062	70	230	20,6	23,6	0,1152	80	280	22,8	25,8	0,1332	90	235	20,8	23,8	0,1170	110	255	21,7	24,7	0,1242	135	280	22,8	25,8	0,1332	225 x	180	235	27,1	30,1	0,1692	BFL	280		-	30	13,1	14,8	0,0552		BFL		-	-	9,8	11,5	0,0246				-	-	10,3	12	0,0287				-	-	10,8	12,5	0,0338				-	5	11,4	13,1	0,0390				-	20	12,1	13,8		0,0451			-	30		12,5	14,2	0,0492		-	37		12,9	14,6	0,0523	-	57		13,8	15,5	0,0605	-		80		14,8	16,5		0,0697		-	105		15,9			18,9		0,0800			-		130			17	20				0,0902	10		155	17,4			20,4	0,0882	15	160	17,6	20,6	0,0900		35	180	18,4	21,4	0,0972	50	195	19,1	22,1	0,1026	60	205	19,5	22,5	0,1062	70	230	20,6	23,6	0,1152	80	280	22,8	25,8	0,1332	90	235	20,8	23,8	0,1170	110	255	21,7	24,7	0,1242	135	280	22,8	25,8	0,1332	225 x	180	235	27,1	30,1	0,1692	BFL	280		-	37	13,4	15,1	0,0587		BFL		-	-	9,8	11,5	0,0246				-	-	10,3	12	0,0287				-	-	10,8	12,5	0,0338				-	5	11,4	13,1	0,0390				-		20	12,1	13,8	0,0451				-	30	12,5	14,2	0,0492			-	37	12,9	14,6	0,0523	-	57		13,8	15,5	0,0605	-		80		14,8	16,5		0,0697		-	105		15,9			18,9		0,0800			-		130			17	20				0,0902	10		155	17,4			20,4	0,0882	15	160	17,6	20,6	0,0900		35	180	18,4	21,4	0,0972	50	195	19,1	22,1	0,1026	60	205	19,5	22,5	0,1062	70	230	20,6	23,6	0,1152	80	280	22,8	25,8	0,1332	90	235	20,8	23,8	0,1170	110	255	21,7	24,7	0,1242	135	280	22,8	25,8	0,1332	225 x	180	235	27,1	30,1	0,1692	BFL	280		-	57	14,4	16,1	0,0679		BFL		-	-	9,8	11,5	0,0246				-	-	10,3	12	0,0287				-	-	10,8	12,5	0,0338				-	5	11,4	13,1	0,0390					-	20	12,1		13,8	0,0451			-	30		12,5	14,2	0,0492		-	37	12,9	14,6	0,0523	-	57		13,8	15,5	0,0605	-		80		14,8	16,5		0,0697		-	105		15,9			18,9		0,0800			-		130			17	20				0,0902	10		155	17,4			20,4	0,0882	15	160	17,6	20,6	0,0900		35	180	18,4	21,4	0,0972	50	195	19,1	22,1	0,1026	60	205	19,5	22,5	0,1062	70	230	20,6	23,6	0,1152	80	280	22,8	25,8	0,1332	90	235	20,8	23,8	0,1170	110	255	21,7	24,7	0,1242	135	280	22,8	25,8	0,1332	225 x	180	235	27,1	30,1	0,1692	BFL	280		-	80	15,4	17,1	0,0782		BFL		-	-	9,8	11,5	0,0246				-	-	10,3	12	0,0287				-	-	10,8	12,5	0,0338				-	5	11,4		13,1	0,0390					-	20	12,1	13,8	0,0451				-	30	12,5	14,2	0,0492		-	37	12,9	14,6	0,0523	-	57		13,8	15,5	0,0605	-		80		14,8	16,5		0,0697		-	105		15,9			18,9		0,0800			-		130			17	20				0,0902	10		155	17,4			20,4	0,0882	15	160	17,6	20,6	0,0900		35	180	18,4	21,4	0,0972	50	195	19,1	22,1	0,1026	60	205	19,5	22,5	0,1062	70	230	20,6	23,6	0,1152	80	280	22,8	25,8	0,1332	90	235	20,8	23,8	0,1170	110	255	21,7	24,7	0,1242	135	280	22,8	25,8	0,1332	225 x	180	235	27,1	30,1	0,1692	BFL	280		-	105	16,6	19,6	0,0897		BFL		-	-	9,8	11,5	0,0246				-	-	10,3	12	0,0287				-	-	10,8	12,5	0,0338					-	5	11,4	13,1	0,0390					-	20	12,1		13,8	0,0451			-	30	12,5	14,2	0,0492		-	37	12,9	14,6	0,0523	-	57		13,8	15,5	0,0605	-		80		14,8	16,5		0,0697		-	105		15,9			18,9		0,0800			-		130			17	20				0,0902	10		155	17,4			20,4	0,0882	15	160	17,6	20,6	0,0900		35	180	18,4	21,4	0,0972	50	195	19,1	22,1	0,1026	60	205	19,5	22,5	0,1062	70	230	20,6	23,6	0,1152	80	280	22,8	25,8	0,1332	90	235	20,8	23,8	0,1170	110	255	21,7	24,7	0,1242	135	280	22,8	25,8	0,1332	225 x	180	235	27,1	30,1	0,1692	BFL	280		-	130	17,8	20,8	0,1012		BFL		-	-	9,8	11,5	0,0246				-	-	10,3	12	0,0287				-	-	10,8	12,5	0,0338					-	5		11,4	13,1	0,0390					-	20	12,1	13,8	0,0451			-	30	12,5	14,2	0,0492		-	37	12,9	14,6	0,0523	-	57		13,8	15,5	0,0605	-		80		14,8	16,5		0,0697		-	105		15,9			18,9		0,0800			-		130			17	20				0,0902	10		155	17,4			20,4	0,0882	15	160	17,6	20,6	0,0900		35	180	18,4	21,4	0,0972	50	195	19,1	22,1	0,1026	60	205	19,5	22,5	0,1062	70	230	20,6	23,6	0,1152	80	280	22,8	25,8	0,1332	90	235	20,8	23,8	0,1170	110	255	21,7	24,7	0,1242	135	280	22,8	25,8	0,1332	225 x	180	235	27,1	30,1	0,1692	BFL	280		-	155	18,9	21,9	0,1127		BFL		-	-	9,8	11,5	0,0246				-	-	10,3	12	0,0287				-	-		10,8	12,5	0,0338					-	5	11,4	13,1	0,0390					-	20	12,1	13,8	0,0451			-	30	12,5	14,2	0,0492		-	37	12,9	14,6	0,0523	-	57		13,8	15,5	0,0605	-		80		14,8	16,5		0,0697		-	105		15,9			18,9		0,0800			-		130			17	20				0,0902	10		155	17,4			20,4	0,0882	15	160	17,6	20,6	0,0900		35	180	18,4	21,4	0,0972	50	195	19,1	22,1	0,1026	60	205	19,5	22,5	0,1062	70	230	20,6	23,6	0,1152	80	280	22,8	25,8	0,1332	90	235	20,8	23,8	0,1170	110	255	21,7	24,7	0,1242	135	280	22																																																																																																																																																																																																																																																																																																																																																																																																													
	-	80	14,8	16,5		0,0697		-	105		15,9		18,9	0,0800		-			130		17			20		0,0902			10		155			17,4	20,4			0,0882	15	160		17,6	20,6	0,0900		35	180	18,4	21,4	0,0972	50	195	19,1	22,1	0,1026	60	205	19,5	22,5	0,1062	70	230	20,6	23,6	0,1152	80	280	22,8	25,8	0,1332	90	235	20,8	23,8	0,1170	110	255	21,7	24,7	0,1242	135	280	22,8	25,8	0,1332	225 x	180	235	27,1	30,1	0,1692	BFL	280		-	30	13,1	14,8	0,0552		BFL		-	-	9,8	11,5	0,0246				-	-	10,3	12	0,0287				-	-	10,8	12,5	0,0338				-	5	11,4	13,1	0,0390				-	20	12,1	13,8	0,0451				-	30	12,5	14,2		0,0492			-	37		12,9	14,6	0,0523		-	57		13,8	15,5	0,0605	-	80		14,8	16,5	0,0697	-		105		15,9	18,9		0,0800		-	130		17			20		0,0902			10		155			17,4	20,4			0,0882	15	160		17,6	20,6	0,0900		35	180	18,4	21,4	0,0972	50	195	19,1	22,1	0,1026	60	205	19,5	22,5	0,1062	70	230	20,6	23,6	0,1152	80	280	22,8	25,8	0,1332	90	235	20,8	23,8	0,1170	110	255	21,7	24,7	0,1242	135	280	22,8	25,8	0,1332	225 x	180	235	27,1	30,1	0,1692	BFL	280		-	37	13,4	15,1	0,0587		BFL		-	-	9,8	11,5	0,0246				-	-	10,3	12	0,0287				-	-	10,8	12,5	0,0338				-	5	11,4	13,1	0,0390				-	20	12,1	13,8	0,0451				-		30	12,5	14,2	0,0492				-	37	12,9	14,6	0,0523			-	57	13,8	15,5	0,0605	-	80		14,8	16,5	0,0697	-		105		15,9	18,9		0,0800		-	130		17			20		0,0902			10		155			17,4	20,4			0,0882	15	160		17,6	20,6	0,0900		35	180	18,4	21,4	0,0972	50	195	19,1	22,1	0,1026	60	205	19,5	22,5	0,1062	70	230	20,6	23,6	0,1152	80	280	22,8	25,8	0,1332	90	235	20,8	23,8	0,1170	110	255	21,7	24,7	0,1242	135	280	22,8	25,8	0,1332	225 x	180	235	27,1	30,1	0,1692	BFL	280		-	57	14,4	16,1	0,0679		BFL		-	-	9,8	11,5	0,0246				-	-	10,3	12	0,0287				-	-	10,8	12,5	0,0338				-	5	11,4	13,1	0,0390				-	20	12,1	13,8	0,0451					-	30	12,5		14,2	0,0492			-	37		12,9	14,6	0,0523		-	57	13,8	15,5	0,0605	-	80		14,8	16,5	0,0697	-		105		15,9	18,9		0,0800		-	130		17			20		0,0902			10		155			17,4	20,4			0,0882	15	160		17,6	20,6	0,0900		35	180	18,4	21,4	0,0972	50	195	19,1	22,1	0,1026	60	205	19,5	22,5	0,1062	70	230	20,6	23,6	0,1152	80	280	22,8	25,8	0,1332	90	235	20,8	23,8	0,1170	110	255	21,7	24,7	0,1242	135	280	22,8	25,8	0,1332	225 x	180	235	27,1	30,1	0,1692	BFL	280		-	80	15,4	17,1	0,0782		BFL		-	-	9,8	11,5	0,0246				-	-	10,3	12	0,0287				-	-	10,8	12,5	0,0338				-	5	11,4	13,1	0,0390				-	20	12,1		13,8	0,0451					-	30	12,5	14,2	0,0492				-	37	12,9	14,6	0,0523		-	57	13,8	15,5	0,0605	-	80		14,8	16,5	0,0697	-		105		15,9	18,9		0,0800		-	130		17			20		0,0902			10		155			17,4	20,4			0,0882	15	160		17,6	20,6	0,0900		35	180	18,4	21,4	0,0972	50	195	19,1	22,1	0,1026	60	205	19,5	22,5	0,1062	70	230	20,6	23,6	0,1152	80	280	22,8	25,8	0,1332	90	235	20,8	23,8	0,1170	110	255	21,7	24,7	0,1242	135	280	22,8	25,8	0,1332	225 x	180	235	27,1	30,1	0,1692	BFL	280		-	105	16,6	19,6	0,0897		BFL		-	-	9,8	11,5	0,0246				-	-	10,3	12	0,0287				-	-	10,8	12,5	0,0338				-	5	11,4	13,1	0,0390					-	20	12,1	13,8	0,0451					-	30	12,5		14,2	0,0492			-	37	12,9	14,6	0,0523		-	57	13,8	15,5	0,0605	-	80		14,8	16,5	0,0697	-		105		15,9	18,9		0,0800		-	130		17			20		0,0902			10		155			17,4	20,4			0,0882	15	160		17,6	20,6	0,0900		35	180	18,4	21,4	0,0972	50	195	19,1	22,1	0,1026	60	205	19,5	22,5	0,1062	70	230	20,6	23,6	0,1152	80	280	22,8	25,8	0,1332	90	235	20,8	23,8	0,1170	110	255	21,7	24,7	0,1242	135	280	22,8	25,8	0,1332	225 x	180	235	27,1	30,1	0,1692	BFL	280		-	130	17,8	20,8	0,1012		BFL		-	-	9,8	11,5	0,0246				-	-	10,3	12	0,0287				-	-	10,8	12,5	0,0338				-	5	11,4	13,1	0,0390					-	20		12,1	13,8	0,0451					-	30	12,5	14,2	0,0492			-	37	12,9	14,6	0,0523		-	57	13,8	15,5	0,0605	-	80		14,8	16,5	0,0697	-		105		15,9	18,9		0,0800		-	130		17			20		0,0902			10		155			17,4	20,4			0,0882	15	160		17,6	20,6	0,0900		35	180	18,4	21,4	0,0972	50	195	19,1	22,1	0,1026	60	205	19,5	22,5	0,1062	70	230	20,6	23,6	0,1152	80	280	22,8	25,8	0,1332	90	235	20,8	23,8	0,1170	110	255	21,7	24,7	0,1242	135	280	22,8	25,8	0,1332	225 x	180	235	27,1	30,1	0,1692	BFL	280		-	155	18,9	21,9	0,1127		BFL		-	-	9,8	11,5	0,0246				-	-	10,3	12	0,0287				-	-	10,8	12,5	0,0338				-	5		11,4	13,1	0,0390					-	20	12,1	13,8	0,0451					-	30	12,5	14,2	0,0492			-	37	12,9	14,6	0,0523		-	57	13,8	15,5	0,0605	-	80		14,8	16,5	0,0697	-		105		15,9	18,9		0,0800		-	130		17			20		0,0902			10		155			17,4	20,4			0,0882	15	160		17,6	20,6	0,0900		35	180	18,4	21,4	0,0972	50	195	19,1	22,1	0,1026	60	205	19,5	22,5	0,1062	70	230	20,6	23,6	0,1152	80	280	22,8	25,8	0,1332	90	235	20,8	23,8	0,1170	110	255	21,7	24,7	0,1242	135	280	22																																																																																																																																																																																																																																																																																																																																																																																																																					
	-	105	15,9	18,9		0,0800		-	130		17		20	0,0902		10			155		17,4			20,4		0,0882			15	160	17,6			20,6	0,0900	35		180	18,4	21,4		0,0972	50	195	19,1	22,1	0,1026	60	205	19,5	22,5	0,1062	70	230	20,6	23,6	0,1152	80	280	22,8	25,8	0,1332	90	235	20,8	23,8	0,1170	110	255	21,7	24,7	0,1242	135	280	22,8	25,8	0,1332	225 x	180	235	27,1	30,1	0,1692	BFL	280		-	30	13,1	14,8	0,0552		BFL		-	-	9,8	11,5	0,0246				-	-	10,3	12	0,0287				-	-	10,8	12,5	0,0338				-	5	11,4	13,1	0,0390				-	20	12,1	13,8	0,0451				-	30	12,5	14,2	0,0492				-	37	12,9	14,6		0,0523			-	57		13,8	15,5	0,0605		-	80		14,8	16,5	0,0697	-	105		15,9	18,9	0,0800	-		130		17	20		0,0902		10	155		17,4			20,4		0,0882			15	160	17,6			20,6	0,0900	35		180	18,4	21,4		0,0972	50	195	19,1	22,1	0,1026	60	205	19,5	22,5	0,1062	70	230	20,6	23,6	0,1152	80	280	22,8	25,8	0,1332	90	235	20,8	23,8	0,1170	110	255	21,7	24,7	0,1242	135	280	22,8	25,8	0,1332	225 x	180	235	27,1	30,1	0,1692	BFL	280		-	37	13,4	15,1	0,0587		BFL		-	-	9,8	11,5	0,0246				-	-	10,3	12	0,0287				-	-	10,8	12,5	0,0338				-	5	11,4	13,1	0,0390				-	20	12,1	13,8	0,0451				-	30	12,5	14,2	0,0492				-		37	12,9	14,6	0,0523				-	57	13,8	15,5	0,0605			-	80	14,8	16,5	0,0697	-	105		15,9	18,9	0,0800	-		130		17	20		0,0902		10	155		17,4			20,4		0,0882			15	160	17,6			20,6	0,0900	35		180	18,4	21,4		0,0972	50	195	19,1	22,1	0,1026	60	205	19,5	22,5	0,1062	70	230	20,6	23,6	0,1152	80	280	22,8	25,8	0,1332	90	235	20,8	23,8	0,1170	110	255	21,7	24,7	0,1242	135	280	22,8	25,8	0,1332	225 x	180	235	27,1	30,1	0,1692	BFL	280		-	57	14,4	16,1	0,0679		BFL		-	-	9,8	11,5	0,0246				-	-	10,3	12	0,0287				-	-	10,8	12,5	0,0338				-	5	11,4	13,1	0,0390				-	20	12,1	13,8	0,0451				-	30	12,5	14,2	0,0492					-	37	12,9		14,6	0,0523			-	57		13,8	15,5	0,0605		-	80	14,8	16,5	0,0697	-	105		15,9	18,9	0,0800	-		130		17	20		0,0902		10	155		17,4			20,4		0,0882			15	160	17,6			20,6	0,0900	35		180	18,4	21,4		0,0972	50	195	19,1	22,1	0,1026	60	205	19,5	22,5	0,1062	70	230	20,6	23,6	0,1152	80	280	22,8	25,8	0,1332	90	235	20,8	23,8	0,1170	110	255	21,7	24,7	0,1242	135	280	22,8	25,8	0,1332	225 x	180	235	27,1	30,1	0,1692	BFL	280		-	80	15,4	17,1	0,0782		BFL		-	-	9,8	11,5	0,0246				-	-	10,3	12	0,0287				-	-	10,8	12,5	0,0338				-	5	11,4	13,1	0,0390				-	20	12,1	13,8	0,0451				-	30	12,5		14,2	0,0492					-	37	12,9	14,6	0,0523				-	57	13,8	15,5	0,0605		-	80	14,8	16,5	0,0697	-	105		15,9	18,9	0,0800	-		130		17	20		0,0902		10	155		17,4			20,4		0,0882			15	160	17,6			20,6	0,0900	35		180	18,4	21,4		0,0972	50	195	19,1	22,1	0,1026	60	205	19,5	22,5	0,1062	70	230	20,6	23,6	0,1152	80	280	22,8	25,8	0,1332	90	235	20,8	23,8	0,1170	110	255	21,7	24,7	0,1242	135	280	22,8	25,8	0,1332	225 x	180	235	27,1	30,1	0,1692	BFL	280		-	105	16,6	19,6	0,0897		BFL		-	-	9,8	11,5	0,0246				-	-	10,3	12	0,0287				-	-	10,8	12,5	0,0338				-	5	11,4	13,1	0,0390				-	20	12,1	13,8	0,0451					-	30	12,5	14,2	0,0492					-	37	12,9		14,6	0,0523			-	57	13,8	15,5	0,0605		-	80	14,8	16,5	0,0697	-	105		15,9	18,9	0,0800	-		130		17	20		0,0902		10	155		17,4			20,4		0,0882			15	160	17,6			20,6	0,0900	35		180	18,4	21,4		0,0972	50	195	19,1	22,1	0,1026	60	205	19,5	22,5	0,1062	70	230	20,6	23,6	0,1152	80	280	22,8	25,8	0,1332	90	235	20,8	23,8	0,1170	110	255	21,7	24,7	0,1242	135	280	22,8	25,8	0,1332	225 x	180	235	27,1	30,1	0,1692	BFL	280		-	130	17,8	20,8	0,1012		BFL		-	-	9,8	11,5	0,0246				-	-	10,3	12	0,0287				-	-	10,8	12,5	0,0338				-	5	11,4	13,1	0,0390				-	20	12,1	13,8	0,0451					-	30		12,5	14,2	0,0492					-	37	12,9	14,6	0,0523			-	57	13,8	15,5	0,0605		-	80	14,8	16,5	0,0697	-	105		15,9	18,9	0,0800	-		130		17	20		0,0902		10	155		17,4			20,4		0,0882			15	160	17,6			20,6	0,0900	35		180	18,4	21,4		0,0972	50	195	19,1	22,1	0,1026	60	205	19,5	22,5	0,1062	70	230	20,6	23,6	0,1152	80	280	22,8	25,8	0,1332	90	235	20,8	23,8	0,1170	110	255	21,7	24,7	0,1242	135	280	22,8	25,8	0,1332	225 x	180	235	27,1	30,1	0,1692	BFL	280		-	155	18,9	21,9	0,1127		BFL		-	-	9,8	11,5	0,0246				-	-	10,3	12	0,0287				-	-	10,8	12,5	0,0338				-	5	11,4	13,1	0,0390				-	20		12,1	13,8	0,0451					-	30	12,5	14,2	0,0492					-	37	12,9	14,6	0,0523			-	57	13,8	15,5	0,0605		-	80	14,8	16,5	0,0697	-	105		15,9	18,9	0,0800	-		130		17	20		0,0902		10	155		17,4			20,4		0,0882			15	160	17,6			20,6	0,0900	35		180	18,4	21,4		0,0972	50	195	19,1	22,1	0,1026	60	205	19,5	22,5	0,1062	70	230	20,6	23,6	0,1152	80	280	22,8	25,8	0,1332	90	235	20,8	23,8	0,1170	110	255	21,7	24,7	0,1242	135	280	22																																																																																																																																																																																																																																																																																																																																																																																																																													
	-	130	17	20		0,0902		10	155		17,4		20,4	0,0882		15			160		17,6			20,6	0,0900	35			180	18,4	21,4	0,0972		50	195	19,1		22,1	0,1026	60	205	19,5	22,5	0,1062	70	230	20,6	23,6	0,1152	80	280	22,8	25,8	0,1332	90	235	20,8	23,8	0,1170	110	255	21,7	24,7	0,1242	135	280	22,8	25,8	0,1332	225 x	180	235	27,1	30,1	0,1692	BFL	280		-	30	13,1	14,8	0,0552		BFL		-	-	9,8	11,5	0,0246				-	-	10,3	12	0,0287				-	-	10,8	12,5	0,0338				-	5	11,4	13,1	0,0390				-	20	12,1	13,8	0,0451				-	30	12,5	14,2	0,0492				-	37	12,9	14,6	0,0523				-	57	13,8	15,5		0,0605			-	80		14,8	16,5	0,0697		-	105		15,9	18,9	0,0800	-	130		17	20	0,0902	10		155		17,4	20,4		0,0882		15	160		17,6			20,6	0,0900	35			180	18,4	21,4	0,0972		50	195	19,1		22,1	0,1026	60	205	19,5	22,5	0,1062	70	230	20,6	23,6	0,1152	80	280	22,8	25,8	0,1332	90	235	20,8	23,8	0,1170	110	255	21,7	24,7	0,1242	135	280	22,8	25,8	0,1332	225 x	180	235	27,1	30,1	0,1692	BFL	280		-	37	13,4	15,1	0,0587		BFL		-	-	9,8	11,5	0,0246				-	-	10,3	12	0,0287				-	-	10,8	12,5	0,0338				-	5	11,4	13,1	0,0390				-	20	12,1	13,8	0,0451				-	30	12,5	14,2	0,0492				-	37	12,9	14,6	0,0523				-		57	13,8	15,5	0,0605				-	80	14,8	16,5	0,0697			-	105	15,9	18,9	0,0800	-	130		17	20	0,0902	10		155		17,4	20,4		0,0882		15	160		17,6			20,6	0,0900	35			180	18,4	21,4	0,0972		50	195	19,1		22,1	0,1026	60	205	19,5	22,5	0,1062	70	230	20,6	23,6	0,1152	80	280	22,8	25,8	0,1332	90	235	20,8	23,8	0,1170	110	255	21,7	24,7	0,1242	135	280	22,8	25,8	0,1332	225 x	180	235	27,1	30,1	0,1692	BFL	280		-	57	14,4	16,1	0,0679		BFL		-	-	9,8	11,5	0,0246				-	-	10,3	12	0,0287				-	-	10,8	12,5	0,0338				-	5	11,4	13,1	0,0390				-	20	12,1	13,8	0,0451				-	30	12,5	14,2	0,0492				-	37	12,9	14,6	0,0523					-	57	13,8		15,5	0,0605			-	80		14,8	16,5	0,0697		-	105	15,9	18,9	0,0800	-	130		17	20	0,0902	10		155		17,4	20,4		0,0882		15	160		17,6			20,6	0,0900	35			180	18,4	21,4	0,0972		50	195	19,1		22,1	0,1026	60	205	19,5	22,5	0,1062	70	230	20,6	23,6	0,1152	80	280	22,8	25,8	0,1332	90	235	20,8	23,8	0,1170	110	255	21,7	24,7	0,1242	135	280	22,8	25,8	0,1332	225 x	180	235	27,1	30,1	0,1692	BFL	280		-	80	15,4	17,1	0,0782		BFL		-	-	9,8	11,5	0,0246				-	-	10,3	12	0,0287				-	-	10,8	12,5	0,0338				-	5	11,4	13,1	0,0390				-	20	12,1	13,8	0,0451				-	30	12,5	14,2	0,0492				-	37	12,9		14,6	0,0523					-	57	13,8	15,5	0,0605				-	80	14,8	16,5	0,0697		-	105	15,9	18,9	0,0800	-	130		17	20	0,0902	10		155		17,4	20,4		0,0882		15	160		17,6			20,6	0,0900	35			180	18,4	21,4	0,0972		50	195	19,1		22,1	0,1026	60	205	19,5	22,5	0,1062	70	230	20,6	23,6	0,1152	80	280	22,8	25,8	0,1332	90	235	20,8	23,8	0,1170	110	255	21,7	24,7	0,1242	135	280	22,8	25,8	0,1332	225 x	180	235	27,1	30,1	0,1692	BFL	280		-	105	16,6	19,6	0,0897		BFL		-	-	9,8	11,5	0,0246				-	-	10,3	12	0,0287				-	-	10,8	12,5	0,0338				-	5	11,4	13,1	0,0390				-	20	12,1	13,8	0,0451				-	30	12,5	14,2	0,0492					-	37	12,9	14,6	0,0523					-	57	13,8		15,5	0,0605			-	80	14,8	16,5	0,0697		-	105	15,9	18,9	0,0800	-	130		17	20	0,0902	10		155		17,4	20,4		0,0882		15	160		17,6			20,6	0,0900	35			180	18,4	21,4	0,0972		50	195	19,1		22,1	0,1026	60	205	19,5	22,5	0,1062	70	230	20,6	23,6	0,1152	80	280	22,8	25,8	0,1332	90	235	20,8	23,8	0,1170	110	255	21,7	24,7	0,1242	135	280	22,8	25,8	0,1332	225 x	180	235	27,1	30,1	0,1692	BFL	280		-	130	17,8	20,8	0,1012		BFL		-	-	9,8	11,5	0,0246				-	-	10,3	12	0,0287				-	-	10,8	12,5	0,0338				-	5	11,4	13,1	0,0390				-	20	12,1	13,8	0,0451				-	30	12,5	14,2	0,0492					-	37		12,9	14,6	0,0523					-	57	13,8	15,5	0,0605			-	80	14,8	16,5	0,0697		-	105	15,9	18,9	0,0800	-	130		17	20	0,0902	10		155		17,4	20,4		0,0882		15	160		17,6			20,6	0,0900	35			180	18,4	21,4	0,0972		50	195	19,1		22,1	0,1026	60	205	19,5	22,5	0,1062	70	230	20,6	23,6	0,1152	80	280	22,8	25,8	0,1332	90	235	20,8	23,8	0,1170	110	255	21,7	24,7	0,1242	135	280	22,8	25,8	0,1332	225 x	180	235	27,1	30,1	0,1692	BFL	280		-	155	18,9	21,9	0,1127		BFL		-	-	9,8	11,5	0,0246				-	-	10,3	12	0,0287				-	-	10,8	12,5	0,0338				-	5	11,4	13,1	0,0390				-	20	12,1	13,8	0,0451				-	30		12,5	14,2	0,0492					-	37	12,9	14,6	0,0523					-	57	13,8	15,5	0,0605			-	80	14,8	16,5	0,0697		-	105	15,9	18,9	0,0800	-	130		17	20	0,0902	10		155		17,4	20,4		0,0882		15	160		17,6			20,6	0,0900	35			180	18,4	21,4	0,0972		50	195	19,1		22,1	0,1026	60	205	19,5	22,5	0,1062	70	230	20,6	23,6	0,1152	80	280	22,8	25,8	0,1332	90	235	20,8	23,8	0,1170	110	255	21,7	24,7	0,1242	135	280	22																																																																																																																																																																																																																																																																																																																																																																																																																																					
	10	155	17,4	20,4		0,0882		15	160		17,6		20,6	0,0900		35			180	18,4	21,4			0,0972	50	195	19,1		22,1	0,1026	60	205		19,5	22,5	0,1062	70	230	20,6	23,6	0,1152	80	280	22,8	25,8	0,1332	90	235	20,8	23,8	0,1170	110	255	21,7	24,7	0,1242	135	280	22,8	25,8	0,1332	225 x	180	235	27,1	30,1	0,1692	BFL	280		-	30	13,1	14,8	0,0552		BFL		-	-	9,8	11,5	0,0246				-	-	10,3	12	0,0287				-	-	10,8	12,5	0,0338				-	5	11,4	13,1	0,0390				-	20	12,1	13,8	0,0451				-	30	12,5	14,2	0,0492				-	37	12,9	14,6	0,0523				-	57	13,8	15,5	0,0605				-	80	14,8	16,5		0,0697			-	105		15,9	18,9	0,0800		-	130		17	20	0,0902	10	155		17,4	20,4	0,0882	15		160		17,6	20,6		0,0900		35	180	18,4	21,4			0,0972	50	195	19,1		22,1	0,1026	60	205		19,5	22,5	0,1062	70	230	20,6	23,6	0,1152	80	280	22,8	25,8	0,1332	90	235	20,8	23,8	0,1170	110	255	21,7	24,7	0,1242	135	280	22,8	25,8	0,1332	225 x	180	235	27,1	30,1	0,1692	BFL	280		-	37	13,4	15,1	0,0587		BFL		-	-	9,8	11,5	0,0246				-	-	10,3	12	0,0287				-	-	10,8	12,5	0,0338				-	5	11,4	13,1	0,0390				-	20	12,1	13,8	0,0451				-	30	12,5	14,2	0,0492				-	37	12,9	14,6	0,0523				-	57	13,8	15,5	0,0605				-		80	14,8	16,5	0,0697				-	105	15,9	18,9	0,0800			-	130	17	20	0,0902	10	155		17,4	20,4	0,0882	15		160		17,6	20,6		0,0900		35	180	18,4	21,4			0,0972	50	195	19,1		22,1	0,1026	60	205		19,5	22,5	0,1062	70	230	20,6	23,6	0,1152	80	280	22,8	25,8	0,1332	90	235	20,8	23,8	0,1170	110	255	21,7	24,7	0,1242	135	280	22,8	25,8	0,1332	225 x	180	235	27,1	30,1	0,1692	BFL	280		-	57	14,4	16,1	0,0679		BFL		-	-	9,8	11,5	0,0246				-	-	10,3	12	0,0287				-	-	10,8	12,5	0,0338				-	5	11,4	13,1	0,0390				-	20	12,1	13,8	0,0451				-	30	12,5	14,2	0,0492				-	37	12,9	14,6	0,0523				-	57	13,8	15,5	0,0605					-	80	14,8		16,5	0,0697			-	105		15,9	18,9	0,0800		-	130	17	20	0,0902	10	155		17,4	20,4	0,0882	15		160		17,6	20,6		0,0900		35	180	18,4	21,4			0,0972	50	195	19,1		22,1	0,1026	60	205		19,5	22,5	0,1062	70	230	20,6	23,6	0,1152	80	280	22,8	25,8	0,1332	90	235	20,8	23,8	0,1170	110	255	21,7	24,7	0,1242	135	280	22,8	25,8	0,1332	225 x	180	235	27,1	30,1	0,1692	BFL	280		-	80	15,4	17,1	0,0782		BFL		-	-	9,8	11,5	0,0246				-	-	10,3	12	0,0287				-	-	10,8	12,5	0,0338				-	5	11,4	13,1	0,0390				-	20	12,1	13,8	0,0451				-	30	12,5	14,2	0,0492				-	37	12,9	14,6	0,0523				-	57	13,8		15,5	0,0605					-	80	14,8	16,5	0,0697				-	105	15,9	18,9	0,0800		-	130	17	20	0,0902	10	155		17,4	20,4	0,0882	15		160		17,6	20,6		0,0900		35	180	18,4	21,4			0,0972	50	195	19,1		22,1	0,1026	60	205		19,5	22,5	0,1062	70	230	20,6	23,6	0,1152	80	280	22,8	25,8	0,1332	90	235	20,8	23,8	0,1170	110	255	21,7	24,7	0,1242	135	280	22,8	25,8	0,1332	225 x	180	235	27,1	30,1	0,1692	BFL	280		-	105	16,6	19,6	0,0897		BFL		-	-	9,8	11,5	0,0246				-	-	10,3	12	0,0287				-	-	10,8	12,5	0,0338				-	5	11,4	13,1	0,0390				-	20	12,1	13,8	0,0451				-	30	12,5	14,2	0,0492				-	37	12,9	14,6	0,0523					-	57	13,8	15,5	0,0605					-	80	14,8		16,5	0,0697			-	105	15,9	18,9	0,0800		-	130	17	20	0,0902	10	155		17,4	20,4	0,0882	15		160		17,6	20,6		0,0900		35	180	18,4	21,4			0,0972	50	195	19,1		22,1	0,1026	60	205		19,5	22,5	0,1062	70	230	20,6	23,6	0,1152	80	280	22,8	25,8	0,1332	90	235	20,8	23,8	0,1170	110	255	21,7	24,7	0,1242	135	280	22,8	25,8	0,1332	225 x	180	235	27,1	30,1	0,1692	BFL	280		-	130	17,8	20,8	0,1012		BFL		-	-	9,8	11,5	0,0246				-	-	10,3	12	0,0287				-	-	10,8	12,5	0,0338				-	5	11,4	13,1	0,0390				-	20	12,1	13,8	0,0451				-	30	12,5	14,2	0,0492				-	37	12,9	14,6	0,0523					-	57		13,8	15,5	0,0605					-	80	14,8	16,5	0,0697			-	105	15,9	18,9	0,0800		-	130	17	20	0,0902	10	155		17,4	20,4	0,0882	15		160		17,6	20,6		0,0900		35	180	18,4	21,4			0,0972	50	195	19,1		22,1	0,1026	60	205		19,5	22,5	0,1062	70	230	20,6	23,6	0,1152	80	280	22,8	25,8	0,1332	90	235	20,8	23,8	0,1170	110	255	21,7	24,7	0,1242	135	280	22,8	25,8	0,1332	225 x	180	235	27,1	30,1	0,1692	BFL	280		-	155	18,9	21,9	0,1127		BFL		-	-	9,8	11,5	0,0246				-	-	10,3	12	0,0287				-	-	10,8	12,5	0,0338				-	5	11,4	13,1	0,0390				-	20	12,1	13,8	0,0451				-	30	12,5	14,2	0,0492				-	37		12,9	14,6	0,0523					-	57	13,8	15,5	0,0605					-	80	14,8	16,5	0,0697			-	105	15,9	18,9	0,0800		-	130	17	20	0,0902	10	155		17,4	20,4	0,0882	15		160		17,6	20,6		0,0900		35	180	18,4	21,4			0,0972	50	195	19,1		22,1	0,1026	60	205		19,5	22,5	0,1062	70	230	20,6	23,6	0,1152	80	280	22,8	25,8	0,1332	90	235	20,8	23,8	0,1170	110	255	21,7	24,7	0,1242	135	280	22																																																																																																																																																																																																																																																																																																																																																																																																																																													
	15	160	17,6	20,6		0,0900		35	180		18,4		21,4	0,0972	50	195			19,1	22,1	0,1026	60		205	19,5	22,5	0,1062		70	230	20,6	23,6	0,1152	80	280	22,8	25,8	0,1332	90	235	20,8	23,8	0,1170	110	255	21,7	24,7	0,1242	135	280	22,8	25,8	0,1332	225 x	180	235	27,1	30,1	0,1692	BFL	280		-	30	13,1	14,8	0,0552		BFL		-	-	9,8	11,5	0,0246				-	-	10,3	12	0,0287				-	-	10,8	12,5	0,0338				-	5	11,4	13,1	0,0390				-	20	12,1	13,8	0,0451				-	30	12,5	14,2	0,0492				-	37	12,9	14,6	0,0523				-	57	13,8	15,5	0,0605				-	80	14,8	16,5	0,0697				-	105	15,9	18,9		0,0800			-	130		17	20	0,0902		10	155		17,4	20,4	0,0882	15	160		17,6	20,6	0,0900	35		180		18,4	21,4	0,0972	50		195	19,1	22,1	0,1026	60		205	19,5	22,5	0,1062		70	230	20,6	23,6	0,1152	80	280	22,8	25,8	0,1332	90	235	20,8	23,8	0,1170	110	255	21,7	24,7	0,1242	135	280	22,8	25,8	0,1332	225 x	180	235	27,1	30,1	0,1692	BFL	280		-	37	13,4	15,1	0,0587		BFL		-	-	9,8	11,5	0,0246				-	-	10,3	12	0,0287				-	-	10,8	12,5	0,0338				-	5	11,4	13,1	0,0390				-	20	12,1	13,8	0,0451				-	30	12,5	14,2	0,0492				-	37	12,9	14,6	0,0523				-	57	13,8	15,5	0,0605				-	80	14,8	16,5	0,0697				-		105	15,9	18,9	0,0800				-	130	17	20	0,0902			10	155	17,4	20,4	0,0882	15	160		17,6	20,6	0,0900	35		180		18,4	21,4	0,0972	50		195	19,1	22,1	0,1026	60		205	19,5	22,5	0,1062		70	230	20,6	23,6	0,1152	80	280	22,8	25,8	0,1332	90	235	20,8	23,8	0,1170	110	255	21,7	24,7	0,1242	135	280	22,8	25,8	0,1332	225 x	180	235	27,1	30,1	0,1692	BFL	280		-	57	14,4	16,1	0,0679		BFL		-	-	9,8	11,5	0,0246				-	-	10,3	12	0,0287				-	-	10,8	12,5	0,0338				-	5	11,4	13,1	0,0390				-	20	12,1	13,8	0,0451				-	30	12,5	14,2	0,0492				-	37	12,9	14,6	0,0523				-	57	13,8	15,5	0,0605				-	80	14,8	16,5	0,0697					-	105	15,9		18,9	0,0800			-	130		17	20	0,0902		10	155	17,4	20,4	0,0882	15	160		17,6	20,6	0,0900	35		180		18,4	21,4	0,0972	50		195	19,1	22,1	0,1026	60		205	19,5	22,5	0,1062		70	230	20,6	23,6	0,1152	80	280	22,8	25,8	0,1332	90	235	20,8	23,8	0,1170	110	255	21,7	24,7	0,1242	135	280	22,8	25,8	0,1332	225 x	180	235	27,1	30,1	0,1692	BFL	280		-	80	15,4	17,1	0,0782		BFL		-	-	9,8	11,5	0,0246				-	-	10,3	12	0,0287				-	-	10,8	12,5	0,0338				-	5	11,4	13,1	0,0390				-	20	12,1	13,8	0,0451				-	30	12,5	14,2	0,0492				-	37	12,9	14,6	0,0523				-	57	13,8	15,5	0,0605				-	80	14,8		16,5	0,0697					-	105	15,9	18,9	0,0800				-	130	17	20	0,0902		10	155	17,4	20,4	0,0882	15	160		17,6	20,6	0,0900	35		180		18,4	21,4	0,0972	50		195	19,1	22,1	0,1026	60		205	19,5	22,5	0,1062		70	230	20,6	23,6	0,1152	80	280	22,8	25,8	0,1332	90	235	20,8	23,8	0,1170	110	255	21,7	24,7	0,1242	135	280	22,8	25,8	0,1332	225 x	180	235	27,1	30,1	0,1692	BFL	280		-	105	16,6	19,6	0,0897		BFL		-	-	9,8	11,5	0,0246				-	-	10,3	12	0,0287				-	-	10,8	12,5	0,0338				-	5	11,4	13,1	0,0390				-	20	12,1	13,8	0,0451				-	30	12,5	14,2	0,0492				-	37	12,9	14,6	0,0523				-	57	13,8	15,5	0,0605					-	80	14,8	16,5	0,0697					-	105	15,9		18,9	0,0800			-	130	17	20	0,0902		10	155	17,4	20,4	0,0882	15	160		17,6	20,6	0,0900	35		180		18,4	21,4	0,0972	50		195	19,1	22,1	0,1026	60		205	19,5	22,5	0,1062		70	230	20,6	23,6	0,1152	80	280	22,8	25,8	0,1332	90	235	20,8	23,8	0,1170	110	255	21,7	24,7	0,1242	135	280	22,8	25,8	0,1332	225 x	180	235	27,1	30,1	0,1692	BFL	280		-	130	17,8	20,8	0,1012		BFL		-	-	9,8	11,5	0,0246				-	-	10,3	12	0,0287				-	-	10,8	12,5	0,0338				-	5	11,4	13,1	0,0390				-	20	12,1	13,8	0,0451				-	30	12,5	14,2	0,0492				-	37	12,9	14,6	0,0523				-	57	13,8	15,5	0,0605					-	80		14,8	16,5	0,0697					-	105	15,9	18,9	0,0800			-	130	17	20	0,0902		10	155	17,4	20,4	0,0882	15	160		17,6	20,6	0,0900	35		180		18,4	21,4	0,0972	50		195	19,1	22,1	0,1026	60		205	19,5	22,5	0,1062		70	230	20,6	23,6	0,1152	80	280	22,8	25,8	0,1332	90	235	20,8	23,8	0,1170	110	255	21,7	24,7	0,1242	135	280	22,8	25,8	0,1332	225 x	180	235	27,1	30,1	0,1692	BFL	280		-	155	18,9	21,9	0,1127		BFL		-	-	9,8	11,5	0,0246				-	-	10,3	12	0,0287				-	-	10,8	12,5	0,0338				-	5	11,4	13,1	0,0390				-	20	12,1	13,8	0,0451				-	30	12,5	14,2	0,0492				-	37	12,9	14,6	0,0523				-	57		13,8	15,5	0,0605					-	80	14,8	16,5	0,0697					-	105	15,9	18,9	0,0800			-	130	17	20	0,0902		10	155	17,4	20,4	0,0882	15	160		17,6	20,6	0,0900	35		180		18,4	21,4	0,0972	50		195	19,1	22,1	0,1026	60		205	19,5	22,5	0,1062		70	230	20,6	23,6	0,1152	80	280	22,8	25,8	0,1332	90	235	20,8	23,8	0,1170	110	255	21,7	24,7	0,1242	135	280	22																																																																																																																																																																																																																																																																																																																																																																																																																																																					
	35	180	18,4	21,4		0,0972		50	195	19,1	22,1		0,1026	60	205	19,5	22,5		0,1062	70	230	20,6		23,6	0,1152	80	280	22,8	25,8	0,1332	90	235	20,8	23,8	0,1170	110	255	21,7	24,7	0,1242	135	280	22,8	25,8	0,1332	225 x	180	235	27,1	30,1	0,1692	BFL	280		-	30	13,1	14,8	0,0552		BFL		-	-	9,8	11,5	0,0246				-	-	10,3	12	0,0287				-	-	10,8	12,5	0,0338				-	5	11,4	13,1	0,0390				-	20	12,1	13,8	0,0451				-	30	12,5	14,2	0,0492				-	37	12,9	14,6	0,0523				-	57	13,8	15,5	0,0605				-	80	14,8	16,5	0,0697				-	105	15,9	18,9	0,0800				-	130	17	20		0,0902			10	155		17,4	20,4	0,0882		15	160		17,6	20,6	0,0900	35	180		18,4	21,4	0,0972	50	195	19,1		22,1	0,1026	60	205	19,5	22,5	0,1062	70	230	20,6		23,6	0,1152	80	280	22,8	25,8	0,1332	90	235	20,8	23,8	0,1170	110	255	21,7	24,7	0,1242	135	280	22,8	25,8	0,1332	225 x	180	235	27,1	30,1	0,1692	BFL	280		-	37	13,4	15,1	0,0587		BFL		-	-	9,8	11,5	0,0246				-	-	10,3	12	0,0287				-	-	10,8	12,5	0,0338				-	5	11,4	13,1	0,0390				-	20	12,1	13,8	0,0451				-	30	12,5	14,2	0,0492				-	37	12,9	14,6	0,0523				-	57	13,8	15,5	0,0605				-	80	14,8	16,5	0,0697				-	105	15,9	18,9	0,0800				-		130	17	20	0,0902				10	155	17,4	20,4	0,0882			15	160	17,6	20,6	0,0900	35	180		18,4	21,4	0,0972	50	195	19,1		22,1	0,1026	60	205	19,5	22,5	0,1062	70	230	20,6		23,6	0,1152	80	280	22,8	25,8	0,1332	90	235	20,8	23,8	0,1170	110	255	21,7	24,7	0,1242	135	280	22,8	25,8	0,1332	225 x	180	235	27,1	30,1	0,1692	BFL	280		-	57	14,4	16,1	0,0679		BFL		-	-	9,8	11,5	0,0246				-	-	10,3	12	0,0287				-	-	10,8	12,5	0,0338				-	5	11,4	13,1	0,0390				-	20	12,1	13,8	0,0451				-	30	12,5	14,2	0,0492				-	37	12,9	14,6	0,0523				-	57	13,8	15,5	0,0605				-	80	14,8	16,5	0,0697				-	105	15,9	18,9	0,0800					-	130	17		20	0,0902			10	155		17,4	20,4	0,0882		15	160	17,6	20,6	0,0900	35	180		18,4	21,4	0,0972	50	195	19,1		22,1	0,1026	60	205	19,5	22,5	0,1062	70	230	20,6		23,6	0,1152	80	280	22,8	25,8	0,1332	90	235	20,8	23,8	0,1170	110	255	21,7	24,7	0,1242	135	280	22,8	25,8	0,1332	225 x	180	235	27,1	30,1	0,1692	BFL	280		-	80	15,4	17,1	0,0782		BFL		-	-	9,8	11,5	0,0246				-	-	10,3	12	0,0287				-	-	10,8	12,5	0,0338				-	5	11,4	13,1	0,0390				-	20	12,1	13,8	0,0451				-	30	12,5	14,2	0,0492				-	37	12,9	14,6	0,0523				-	57	13,8	15,5	0,0605				-	80	14,8	16,5	0,0697				-	105	15,9		18,9	0,0800					-	130	17	20	0,0902				10	155	17,4	20,4	0,0882		15	160	17,6	20,6	0,0900	35	180		18,4	21,4	0,0972	50	195	19,1		22,1	0,1026	60	205	19,5	22,5	0,1062	70	230	20,6		23,6	0,1152	80	280	22,8	25,8	0,1332	90	235	20,8	23,8	0,1170	110	255	21,7	24,7	0,1242	135	280	22,8	25,8	0,1332	225 x	180	235	27,1	30,1	0,1692	BFL	280		-	105	16,6	19,6	0,0897		BFL		-	-	9,8	11,5	0,0246				-	-	10,3	12	0,0287				-	-	10,8	12,5	0,0338				-	5	11,4	13,1	0,0390				-	20	12,1	13,8	0,0451				-	30	12,5	14,2	0,0492				-	37	12,9	14,6	0,0523				-	57	13,8	15,5	0,0605				-	80	14,8	16,5	0,0697					-	105	15,9	18,9	0,0800					-	130	17		20	0,0902			10	155	17,4	20,4	0,0882		15	160	17,6	20,6	0,0900	35	180		18,4	21,4	0,0972	50	195	19,1		22,1	0,1026	60	205	19,5	22,5	0,1062	70	230	20,6		23,6	0,1152	80	280	22,8	25,8	0,1332	90	235	20,8	23,8	0,1170	110	255	21,7	24,7	0,1242	135	280	22,8	25,8	0,1332	225 x	180	235	27,1	30,1	0,1692	BFL	280		-	130	17,8	20,8	0,1012		BFL		-	-	9,8	11,5	0,0246				-	-	10,3	12	0,0287				-	-	10,8	12,5	0,0338				-	5	11,4	13,1	0,0390				-	20	12,1	13,8	0,0451				-	30	12,5	14,2	0,0492				-	37	12,9	14,6	0,0523				-	57	13,8	15,5	0,0605				-	80	14,8	16,5	0,0697					-	105		15,9	18,9	0,0800					-	130	17	20	0,0902			10	155	17,4	20,4	0,0882		15	160	17,6	20,6	0,0900	35	180		18,4	21,4	0,0972	50	195	19,1		22,1	0,1026	60	205	19,5	22,5	0,1062	70	230	20,6		23,6	0,1152	80	280	22,8	25,8	0,1332	90	235	20,8	23,8	0,1170	110	255	21,7	24,7	0,1242	135	280	22,8	25,8	0,1332	225 x	180	235	27,1	30,1	0,1692	BFL	280		-	155	18,9	21,9	0,1127		BFL		-	-	9,8	11,5	0,0246				-	-	10,3	12	0,0287				-	-	10,8	12,5	0,0338				-	5	11,4	13,1	0,0390				-	20	12,1	13,8	0,0451				-	30	12,5	14,2	0,0492				-	37	12,9	14,6	0,0523				-	57	13,8	15,5	0,0605				-	80		14,8	16,5	0,0697					-	105	15,9	18,9	0,0800					-	130	17	20	0,0902			10	155	17,4	20,4	0,0882		15	160	17,6	20,6	0,0900	35	180		18,4	21,4	0,0972	50	195	19,1		22,1	0,1026	60	205	19,5	22,5	0,1062	70	230	20,6		23,6	0,1152	80	280	22,8	25,8	0,1332	90	235	20,8	23,8	0,1170	110	255	21,7	24,7	0,1242	135	280	22																																																																																																																																																																																																																																																																																																																																																																																																																																																													
	50	195	19,1	22,1	0,1026	60		205	19,5	22,5	0,1062	70	230	20,6	23,6	0,1152	80		280	22,8	25,8	0,1332	90	235	20,8	23,8	0,1170	110	255	21,7	24,7	0,1242	135	280	22,8	25,8	0,1332	225 x	180	235	27,1	30,1	0,1692	BFL	280		-	30	13,1	14,8	0,0552		BFL		-	-	9,8	11,5	0,0246				-	-	10,3	12	0,0287				-	-	10,8	12,5	0,0338				-	5	11,4	13,1	0,0390				-	20	12,1	13,8	0,0451				-	30	12,5	14,2	0,0492				-	37	12,9	14,6	0,0523				-	57	13,8	15,5	0,0605				-	80	14,8	16,5	0,0697				-	105	15,9	18,9	0,0800				-	130	17	20	0,0902				10	155	17,4	20,4		0,0882			15	160		17,6	20,6	0,0900		35	180		18,4	21,4	0,0972	50	195	19,1	22,1	0,1026	60	205	19,5	22,5	0,1062	70	230	20,6	23,6	0,1152	80	280	22,8	25,8	0,1332	90	235	20,8	23,8	0,1170	110	255	21,7	24,7	0,1242	135	280	22,8	25,8	0,1332	225 x	180	235	27,1	30,1	0,1692	BFL	280		-	37	13,4	15,1	0,0587		BFL		-	-	9,8	11,5	0,0246				-	-	10,3	12	0,0287				-	-	10,8	12,5	0,0338				-	5	11,4	13,1	0,0390				-	20	12,1	13,8	0,0451				-	30	12,5	14,2	0,0492				-	37	12,9	14,6	0,0523				-	57	13,8	15,5	0,0605				-	80	14,8	16,5	0,0697				-	105	15,9	18,9	0,0800				-	130	17	20	0,0902				10		155	17,4	20,4	0,0882				15	160	17,6	20,6	0,0900			35	180	18,4	21,4	0,0972	50	195	19,1	22,1	0,1026	60	205	19,5	22,5	0,1062	70	230	20,6	23,6	0,1152	80	280	22,8	25,8	0,1332	90	235	20,8	23,8	0,1170	110	255	21,7	24,7	0,1242	135	280	22,8	25,8	0,1332	225 x	180	235	27,1	30,1	0,1692	BFL	280		-	57	14,4	16,1	0,0679		BFL		-	-	9,8	11,5	0,0246				-	-	10,3	12	0,0287				-	-	10,8	12,5	0,0338				-	5	11,4	13,1	0,0390				-	20	12,1	13,8	0,0451				-	30	12,5	14,2	0,0492				-	37	12,9	14,6	0,0523				-	57	13,8	15,5	0,0605				-	80	14,8	16,5	0,0697				-	105	15,9	18,9	0,0800				-	130	17	20	0,0902					10	155	17,4		20,4	0,0882			15	160		17,6	20,6	0,0900		35	180	18,4	21,4	0,0972	50	195	19,1	22,1	0,1026	60	205	19,5	22,5	0,1062	70	230	20,6	23,6	0,1152	80	280	22,8	25,8	0,1332	90	235	20,8	23,8	0,1170	110	255	21,7	24,7	0,1242	135	280	22,8	25,8	0,1332	225 x	180	235	27,1	30,1	0,1692	BFL	280		-	80	15,4	17,1	0,0782		BFL		-	-	9,8	11,5	0,0246				-	-	10,3	12	0,0287				-	-	10,8	12,5	0,0338				-	5	11,4	13,1	0,0390				-	20	12,1	13,8	0,0451				-	30	12,5	14,2	0,0492				-	37	12,9	14,6	0,0523				-	57	13,8	15,5	0,0605				-	80	14,8	16,5	0,0697				-	105	15,9	18,9	0,0800				-	130	17		20	0,0902					10	155	17,4	20,4	0,0882				15	160	17,6	20,6	0,0900		35	180	18,4	21,4	0,0972	50	195	19,1	22,1	0,1026	60	205	19,5	22,5	0,1062	70	230	20,6	23,6	0,1152	80	280	22,8	25,8	0,1332	90	235	20,8	23,8	0,1170	110	255	21,7	24,7	0,1242	135	280	22,8	25,8	0,1332	225 x	180	235	27,1	30,1	0,1692	BFL	280		-	105	16,6	19,6	0,0897		BFL		-	-	9,8	11,5	0,0246				-	-	10,3	12	0,0287				-	-	10,8	12,5	0,0338				-	5	11,4	13,1	0,0390				-	20	12,1	13,8	0,0451				-	30	12,5	14,2	0,0492				-	37	12,9	14,6	0,0523				-	57	13,8	15,5	0,0605				-	80	14,8	16,5	0,0697				-	105	15,9	18,9	0,0800					-	130	17	20	0,0902					10	155	17,4		20,4	0,0882			15	160	17,6	20,6	0,0900		35	180	18,4	21,4	0,0972	50	195	19,1	22,1	0,1026	60	205	19,5	22,5	0,1062	70	230	20,6	23,6	0,1152	80	280	22,8	25,8	0,1332	90	235	20,8	23,8	0,1170	110	255	21,7	24,7	0,1242	135	280	22,8	25,8	0,1332	225 x	180	235	27,1	30,1	0,1692	BFL	280		-	130	17,8	20,8	0,1012		BFL		-	-	9,8	11,5	0,0246				-	-	10,3	12	0,0287				-	-	10,8	12,5	0,0338				-	5	11,4	13,1	0,0390				-	20	12,1	13,8	0,0451				-	30	12,5	14,2	0,0492				-	37	12,9	14,6	0,0523				-	57	13,8	15,5	0,0605				-	80	14,8	16,5	0,0697				-	105	15,9	18,9	0,0800					-	130		17	20	0,0902					10	155	17,4	20,4	0,0882			15	160	17,6	20,6	0,0900		35	180	18,4	21,4	0,0972	50	195	19,1	22,1	0,1026	60	205	19,5	22,5	0,1062	70	230	20,6	23,6	0,1152	80	280	22,8	25,8	0,1332	90	235	20,8	23,8	0,1170	110	255	21,7	24,7	0,1242	135	280	22,8	25,8	0,1332	225 x	180	235	27,1	30,1	0,1692	BFL	280		-	155	18,9	21,9	0,1127		BFL		-	-	9,8	11,5	0,0246				-	-	10,3	12	0,0287				-	-	10,8	12,5	0,0338				-	5	11,4	13,1	0,0390				-	20	12,1	13,8	0,0451				-	30	12,5	14,2	0,0492				-	37	12,9	14,6	0,0523				-	57	13,8	15,5	0,0605				-	80	14,8	16,5	0,0697				-	105		15,9	18,9	0,0800					-	130	17	20	0,0902					10	155	17,4	20,4	0,0882			15	160	17,6	20,6	0,0900		35	180	18,4	21,4	0,0972	50	195	19,1	22,1	0,1026	60	205	19,5	22,5	0,1062	70	230	20,6	23,6	0,1152	80	280	22,8	25,8	0,1332	90	235	20,8	23,8	0,1170	110	255	21,7	24,7	0,1242	135	280	22																																																																																																																																																																																																																																																																																																																																																																																																																																																																					
60	205	19,5	22,5	0,1062	70	230	20,6	23,6	0,1152	80	280	22,8	25,8	0,1332	90	235	20,8	23,8	0,1170	110	255	21,7	24,7	0,1242	135	280	22,8	25,8	0,1332	225 x	180	235	27,1	30,1	0,1692	BFL	280		-	30	13,1	14,8	0,0552		BFL		-	-	9,8	11,5	0,0246				-	-	10,3	12	0,0287				-	-	10,8	12,5	0,0338				-	5	11,4	13,1	0,0390				-	20	12,1	13,8	0,0451				-	30	12,5	14,2	0,0492				-	37	12,9	14,6	0,0523				-	57	13,8	15,5	0,0605				-	80	14,8	16,5	0,0697				-	105	15,9	18,9	0,0800				-	130	17	20	0,0902				10	155	17,4	20,4	0,0882				15	160	17,6	20,6		0,0900			35	180		18,4	21,4	0,0972		50	195		19,1	22,1	0,1026	60	205	19,5	22,5	0,1062	70	230	20,6	23,6	0,1152	80	280	22,8	25,8	0,1332	90	235	20,8	23,8	0,1170	110	255	21,7	24,7	0,1242	135	280	22,8	25,8	0,1332	225 x	180	235	27,1	30,1		0,1692	BFL	280	-	37		13,4		15,1	0,0587	BFL	-	-				9,8	11,5	0,0246	-	-				10,3	12	0,0287	-	-				10,8	12,5	0,0338	-	5				11,4	13,1	0,0390	-	20				12,1	13,8	0,0451	-	30				12,5	14,2	0,0492	-	37				12,9	14,6	0,0523	-	57				13,8	15,5	0,0605	-	80				14,8	16,5	0,0697	-	105				15,9	18,9	0,0800	-	130				17	20	0,0902	10	155				17,4		20,4	0,0882	15	160				17,6	20,6	0,0900	35	180			18,4	21,4	0,0972	50	195	19,1	22,1	0,1026	60	205	19,5	22,5	0,1062	70	230	20,6	23,6	0,1152	80	280	22,8	25,8	0,1332	90	235	20,8	23,8	0,1170	110	255	21,7	24,7	0,1242	135	280	22,8	25,8	0,1332	225 x	180		235	27,1	30,1	0,1692	BFL		280		-	57	14,4	16,1	0,0679				BFL	-	-	9,8	11,5				0,0246	-	-	10,3	12				0,0287	-	-	10,8	12,5				0,0338	-	5	11,4	13,1				0,0390	-	20	12,1	13,8				0,0451	-	30	12,5	14,2				0,0492	-	37	12,9	14,6				0,0523	-	57	13,8	15,5				0,0605	-	80	14,8	16,5				0,0697	-	105	15,9	18,9				0,0800	-	130	17	20					0,0902	10	155		17,4	20,4			0,0882	15		160	17,6	20,6		0,0900	35	180	18,4	21,4	0,0972	50	195	19,1	22,1	0,1026	60	205	19,5	22,5	0,1062	70	230	20,6	23,6	0,1152	80	280	22,8	25,8	0,1332	90	235	20,8	23,8	0,1170	110	255	21,7	24,7	0,1242	135	280	22,8	25,8		0,1332	225 x	180	235	27,1		30,1		0,1692	BFL	280	-	80				15,4	17,1	0,0782	BFL	-				-	9,8	11,5	0,0246	-				-	10,3	12	0,0287	-				-	10,8	12,5	0,0338	-				5	11,4	13,1	0,0390	-				20	12,1	13,8	0,0451	-				30	12,5	14,2	0,0492	-				37	12,9	14,6	0,0523	-				57	13,8	15,5	0,0605	-				80	14,8	16,5	0,0697	-				105	15,9	18,9		0,0800	-					130	17	20	0,0902	10				155	17,4	20,4	0,0882	15		160	17,6	20,6	0,0900	35	180	18,4	21,4	0,0972	50	195	19,1	22,1	0,1026	60	205	19,5	22,5	0,1062	70	230	20,6	23,6	0,1152	80	280	22,8	25,8	0,1332	90	235	20,8	23,8	0,1170	110	255	21,7	24,7	0,1242	135		280	22,8	25,8	0,1332	225 x		180		235	27,1	30,1	0,1692	BFL				280	-	105	16,6	19,6				0,0897	BFL	-	-	9,8				11,5	0,0246	-	-	10,3				12	0,0287	-	-	10,8				12,5	0,0338	-	5	11,4				13,1	0,0390	-	20	12,1				13,8	0,0451	-	30	12,5				14,2	0,0492	-	37	12,9				14,6	0,0523	-	57	13,8				15,5	0,0605	-	80	14,8					16,5	0,0697	-	105	15,9					18,9	0,0800	-		130	17			20	0,0902	10	155	17,4		20,4	0,0882	15	160	17,6	20,6	0,0900	35	180	18,4	21,4	0,0972	50	195	19,1	22,1	0,1026	60	205	19,5	22,5	0,1062	70	230	20,6	23,6	0,1152	80	280	22,8	25,8	0,1332	90	235	20,8	23,8	0,1170	110	255	21,7		24,7	0,1242	135	280	22,8		25,8		0,1332	225 x	180	235	27,1				30,1	0,1692	BFL	280	-				130	17,8	20,8	0,1012	BFL				-	-	9,8	11,5	0,0246				-	-	10,3	12	0,0287				-	-	10,8	12,5	0,0338				-	5	11,4	13,1	0,0390				-	20	12,1	13,8	0,0451				-	30	12,5	14,2	0,0492				-	37	12,9	14,6	0,0523				-	57	13,8	15,5	0,0605					-	80		14,8	16,5	0,0697					-	105	15,9	18,9	0,0800			-	130	17	20	0,0902		10	155	17,4	20,4	0,0882	15	160	17,6	20,6	0,0900	35	180	18,4	21,4	0,0972	50	195	19,1	22,1	0,1026	60	205	19,5	22,5	0,1062	70	230	20,6	23,6	0,1152	80	280	22,8	25,8	0,1332	90	235	20,8	23,8	0,1170		110	255	21,7	24,7	0,1242		135		280	22,8	25,8	0,1332	225 x				180	235	27,1	30,1	0,1692				BFL	280	-	155	18,9				21,9	0,1127	BFL	-	-				9,8	11,5	0,0246	-	-				10,3	12	0,0287	-	-				10,8	12,5	0,0338	-	5				11,4	13,1	0,0390	-	20				12,1	13,8	0,0451	-	30				12,5	14,2	0,0492	-	37				12,9	14,6		0,0523	-	57					13,8	15,5	0,0605	-	80					14,8	16,5	0,0697	-	105			15,9	18,9	0,0800	-	130		17	20	0,0902	10	155	17,4	20,4	0,0882	15	160	17,6	20,6	0,0900	35	180	18,4	21,4	0,0972	50	195	19,1	22,1	0,1026	60	205	19,5	22,5	0,1062	70	230	20,6	23,6	0,1152	80	280	22,8	25,8	0,1332	90	235	20,8	23,8	0,1170	110	255	21,7	24,7	0,1242	135	280	22																																																																																																																																																																																																																																																																																																																																																																																																																																																								
70	230	20,6	23,6	0,1152	80	280	22,8	25,8	0,1332	90	235	20,8	23,8	0,1170	110	255	21,7	24,7	0,1242	135	280	22,8	25,8	0,1332	225 x	180	235	27,1	30,1		0,1692	BFL	280	-	30		13,1		14,8	0,0552	BFL	-	-				9,8	11,5	0,0246	-	-				10,3	12	0,0287	-	-				10,8	12,5	0,0338	-	5				11,4	13,1	0,0390	-	20				12,1	13,8	0,0451	-	30				12,5	14,2	0,0492	-	37				12,9	14,6	0,0523	-	57				13,8	15,5	0,0605	-	80				14,8	16,5	0,0697	-	105				15,9	18,9	0,0800	-	130				17	20	0,0902	10	155				17,4	20,4	0,0882	15	160				17,6	20,6	0,0900	35	180	18,4			21,4	0,0972	50	195	19,1	22,1		0,1026	60	205	19,5	22,5	0,1062	70	230	20,6	23,6	0,1152	80	280	22,8	25,8	0,1332	90	235	20,8	23,8	0,1170	110	255	21,7	24,7	0,1242	135	280	22,8	25,8	0,1332	225 x	180	235	27,1	30,1		0,1692	BFL	280	-		37		13,4	15,1	0,0587		BFL		-	-		9,8	11,5				0,0246	-	-	10,3	12				0,0287	-	-	10,8	12,5				0,0338	-	5	11,4	13,1				0,0390	-	20	12,1	13,8				0,0451	-	30	12,5	14,2				0,0492	-	37	12,9	14,6				0,0523	-	57	13,8	15,5				0,0605	-	80	14,8	16,5				0,0697	-	105	15,9	18,9				0,0800	-	130	17	20				0,0902	10	155	17,4	20,4				0,0882	15	160	17,6	20,6	0,0900		35		180	18,4	21,4	0,0972	50	195		19,1	22,1	0,1026	60	205	19,5	22,5	0,1062	70	230	20,6	23,6	0,1152	80	280	22,8	25,8	0,1332	90	235	20,8	23,8	0,1170	110	255	21,7	24,7	0,1242	135	280	22,8	25,8	0,1332	225 x	180	235	27,1	30,1		0,1692		BFL	280	-	57			14,4		16,1	0,0679	BFL	-	-					9,8	11,5	0,0246	-				-	10,3	12	0,0287	-				-	10,8	12,5	0,0338	-				5	11,4	13,1	0,0390	-				20	12,1	13,8	0,0451	-				30	12,5	14,2	0,0492	-				37	12,9	14,6	0,0523	-				57	13,8	15,5	0,0605	-				80	14,8	16,5	0,0697	-				105	15,9	18,9	0,0800	-				130	17	20	0,0902	10		155			17,4	20,4	0,0882	15	160	17,6			20,6	0,0900	35	180	18,4	21,4		0,0972	50	195	19,1	22,1	0,1026	60	205	19,5	22,5	0,1062	70	230	20,6	23,6	0,1152	80	280	22,8	25,8	0,1332	90	235	20,8	23,8	0,1170	110	255	21,7	24,7	0,1242	135	280	22,8	25,8	0,1332	225 x	180	235	27,1		30,1		0,1692	BFL	280		-		80		15,4	17,1	0,0782				BFL	-	-		9,8				11,5	0,0246	-	-	10,3				12	0,0287	-	-	10,8				12,5	0,0338	-	5	11,4				13,1	0,0390	-	20	12,1				13,8	0,0451	-	30	12,5				14,2	0,0492	-	37	12,9				14,6	0,0523	-	57	13,8				15,5	0,0605	-	80	14,8				16,5	0,0697	-	105	15,9				18,9	0,0800	-	130	17	20				0,0902	10	155	17,4	20,4	0,0882		15		160	17,6	20,6	0,0900	35		180	18,4	21,4	0,0972	50	195	19,1	22,1	0,1026	60	205	19,5	22,5	0,1062	70	230	20,6	23,6	0,1152	80	280	22,8	25,8	0,1332	90	235	20,8	23,8	0,1170	110	255	21,7	24,7	0,1242	135	280	22,8	25,8	0,1332	225 x		180	235	27,1	30,1			0,1692		BFL	280	-	105					16,6	19,6	0,0897	BFL	-				-		9,8	11,5	0,0246				-	-	10,3	12	0,0287				-	-	10,8	12,5	0,0338				-	5	11,4	13,1	0,0390				-	20	12,1	13,8	0,0451				-	30	12,5	14,2	0,0492				-	37	12,9	14,6	0,0523				-	57	13,8	15,5	0,0605				-	80	14,8	16,5	0,0697				-	105	15,9	18,9	0,0800	-	130				17	20	0,0902	10	155	17,4			20,4	0,0882	15	160	17,6		20,6	0,0900	35	180	18,4	21,4	0,0972	50	195	19,1	22,1	0,1026	60	205	19,5	22,5	0,1062	70	230	20,6	23,6	0,1152	80	280	22,8	25,8	0,1332	90	235	20,8	23,8	0,1170	110	255	21,7	24,7	0,1242	135	280	22,8		25,8	0,1332	225 x	180	235		27,1		30,1		0,1692	BFL	280				-	130		17,8	20,8				0,1012	BFL	-	-					9,8	11,5	0,0246	-	-				10,3	12	0,0287	-	-				10,8	12,5	0,0338	-	5				11,4	13,1	0,0390	-	20				12,1	13,8	0,0451	-	30				12,5	14,2	0,0492	-	37				12,9	14,6	0,0523	-	57				13,8	15,5	0,0605	-	80	14,8				16,5	0,0697	-	105	15,9	18,9				0,0800	-	130	17	20	0,0902			10	155	17,4	20,4	0,0882		15	160	17,6	20,6	0,0900	35	180	18,4	21,4	0,0972	50	195	19,1	22,1	0,1026	60	205	19,5	22,5	0,1062	70	230	20,6	23,6	0,1152	80	280	22,8	25,8	0,1332	90	235	20,8	23,8	0,1170	110	255	21,7	24,7	0,1242		135	280	22,8	25,8	0,1332		225 x		180	235	27,1	30,1					0,1692	BFL	280	-	155					18,9	21,9	0,1127	BFL				-	-		9,8	11,5				0,0246	-	-	10,3	12				0,0287	-	-	10,8	12,5				0,0338	-	5	11,4	13,1				0,0390	-	20	12,1	13,8				0,0451	-	30	12,5	14,2				0,0492	-	37	12,9	14,6				0,0523	-	57	13,8	15,5	0,0605			-		80	14,8	16,5	0,0697	-	105				15,9	18,9	0,0800	-	130			17	20	0,0902	10	155		17,4	20,4	0,0882	15	160	17,6	20,6	0,0900	35	180	18,4	21,4	0,0972	50	195	19,1	22,1	0,1026	60	205	19,5	22,5	0,1062	70	230	20,6	23,6	0,1152	80	280	22,8	25,8	0,1332	90	235	20,8	23,8	0,1170	110	255	21,7	24,7	0,1242	135	280	22																																																																																																																																																																																																																																																																																																																																																																																																																																																													
80	280	22,8	25,8	0,1332	90	235	20,8	23,8	0,1170	110	255	21,7	24,7	0,1242	135	280	22,8	25,8	0,1332	225 x	180	235	27,1	30,1		0,1692	BFL	280	-		30		13,1	14,8	0,0552		BFL		-	-		9,8	11,5				0,0246	-	-	10,3	12				0,0287	-	-	10,8	12,5				0,0338	-	5	11,4	13,1				0,0390	-	20	12,1	13,8				0,0451	-	30	12,5	14,2				0,0492	-	37	12,9	14,6				0,0523	-	57	13,8	15,5				0,0605	-	80	14,8	16,5				0,0697	-	105	15,9	18,9				0,0800	-	130	17	20				0,0902	10	155	17,4	20,4				0,0882	15	160	17,6	20,6			0,0900	35	180	18,4	21,4	0,0972	50	195		19,1	22,1	0,1026	60	205	19,5	22,5	0,1062	70	230	20,6	23,6	0,1152	80	280	22,8	25,8	0,1332	90	235	20,8	23,8	0,1170	110	255	21,7	24,7	0,1242	135	280	22,8	25,8	0,1332	225 x	180	235	27,1	30,1		0,1692	BFL	280	-		37		13,4	15,1		0,0587		BFL	-	-				9,8	11,5		0,0246	-				-	10,3	12	0,0287	-				-	10,8	12,5	0,0338	-				5	11,4	13,1	0,0390	-				20	12,1	13,8	0,0451	-				30	12,5	14,2	0,0492	-				37	12,9	14,6	0,0523	-				57	13,8	15,5	0,0605	-				80	14,8	16,5	0,0697	-				105	15,9	18,9	0,0800	-				130	17	20	0,0902	10				155	17,4	20,4	0,0882	15			160	17,6	20,6	0,0900	35	180	18,4	21,4	0,0972		50	195	19,1	22,1	0,1026	60	205	19,5	22,5	0,1062	70	230	20,6	23,6	0,1152	80	280	22,8	25,8	0,1332	90	235	20,8	23,8	0,1170	110	255	21,7	24,7	0,1242	135	280	22,8	25,8	0,1332	225 x	180	235	27,1	30,1		0,1692	BFL	280	-		57			14,4	16,1	0,0679			BFL		-	-		9,8	11,5					0,0246	-	-	10,3				12	0,0287	-	-	10,8				12,5	0,0338	-	5	11,4				13,1	0,0390	-	20	12,1				13,8	0,0451	-	30	12,5				14,2	0,0492	-	37	12,9				14,6	0,0523	-	57	13,8				15,5	0,0605	-	80	14,8				16,5	0,0697	-	105	15,9				18,9	0,0800	-	130	17				20	0,0902	10	155	17,4		20,4		0,0882	15	160	17,6	20,6	0,0900	35	180		18,4	21,4	0,0972	50	195	19,1	22,1	0,1026	60	205	19,5	22,5	0,1062	70	230	20,6	23,6	0,1152	80	280	22,8	25,8	0,1332	90	235	20,8	23,8	0,1170	110	255	21,7	24,7	0,1242	135	280	22,8	25,8	0,1332	225 x	180	235	27,1	30,1		0,1692	BFL	280		-		80		15,4		17,1		0,0782		BFL	-	-					9,8	11,5		0,0246				-	-	10,3	12	0,0287				-	-	10,8	12,5	0,0338				-	5	11,4	13,1	0,0390				-	20	12,1	13,8	0,0451				-	30	12,5	14,2	0,0492				-	37	12,9	14,6	0,0523				-	57	13,8	15,5	0,0605				-	80	14,8	16,5	0,0697				-	105	15,9	18,9	0,0800				-	130	17	20	0,0902	10			155	17,4	20,4	0,0882	15	160	17,6	20,6	0,0900		35	180	18,4	21,4	0,0972	50	195	19,1	22,1	0,1026	60	205	19,5	22,5	0,1062	70	230	20,6	23,6	0,1152	80	280	22,8	25,8	0,1332	90	235	20,8	23,8	0,1170	110	255	21,7	24,7	0,1242	135	280	22,8	25,8	0,1332	225 x	180	235	27,1	30,1			0,1692	BFL	280	-			105			16,6	19,6	0,0897					BFL	-	-		9,8				11,5		0,0246	-	-				10,3	12	0,0287	-	-				10,8	12,5	0,0338	-	5				11,4	13,1	0,0390	-	20				12,1	13,8	0,0451	-	30				12,5	14,2	0,0492	-	37				12,9	14,6	0,0523	-	57				13,8	15,5	0,0605	-	80				14,8	16,5	0,0697	-	105				15,9	18,9	0,0800	-	130	17	20			0,0902	10	155	17,4	20,4	0,0882	15	160		17,6	20,6	0,0900	35	180	18,4	21,4	0,0972	50	195	19,1	22,1	0,1026	60	205	19,5	22,5	0,1062	70	230	20,6	23,6	0,1152	80	280	22,8	25,8	0,1332	90	235	20,8	23,8	0,1170	110	255	21,7	24,7	0,1242	135	280	22,8	25,8	0,1332	225 x	180	235		27,1	30,1		0,1692	BFL		280		-		130		17,8				20,8	0,1012		BFL	-				-		9,8	11,5					0,0246	-	-	10,3	12				0,0287	-	-	10,8	12,5				0,0338	-	5	11,4	13,1				0,0390	-	20	12,1	13,8				0,0451	-	30	12,5	14,2				0,0492	-	37	12,9	14,6				0,0523	-	57	13,8	15,5				0,0605	-	80	14,8	16,5	0,0697				-	105	15,9	18,9	0,0800	-			130	17	20	0,0902	10	155	17,4	20,4		0,0882	15	160	17,6	20,6	0,0900	35	180	18,4	21,4	0,0972	50	195	19,1	22,1	0,1026	60	205	19,5	22,5	0,1062	70	230	20,6	23,6	0,1152	80	280	22,8	25,8	0,1332	90	235	20,8	23,8	0,1170	110	255	21,7	24,7	0,1242	135	280	22,8	25,8	0,1332		225 x	180	235	27,1	30,1				0,1692	BFL	280	-					155		18,9	21,9	0,1127					BFL	-	-					9,8	11,5		0,0246	-				-	10,3	12	0,0287	-				-	10,8	12,5	0,0338	-				5	11,4	13,1	0,0390	-				20	12,1	13,8	0,0451	-				30	12,5	14,2	0,0492	-				37	12,9	14,6	0,0523	-				57	13,8	15,5	0,0605	-	80			14,8		16,5	0,0697	-	105	15,9	18,9			0,0800	-	130	17	20	0,0902	10		155	17,4	20,4	0,0882	15	160	17,6	20,6	0,0900	35	180	18,4	21,4	0,0972	50	195	19,1	22,1	0,1026	60	205	19,5	22,5	0,1062	70	230	20,6	23,6	0,1152	80	280	22,8	25,8	0,1332	90	235	20,8	23,8	0,1170	110	255	21,7	24,7	0,1242	135	280	22																																																																																																																																																																																																																																																																																																																																																																																																																																																																		
90	235	20,8	23,8	0,1170	110	255	21,7	24,7	0,1242	135	280	22,8	25,8	0,1332	225 x	180	235	27,1	30,1		0,1692	BFL	280	-		30		13,1	14,8		0,0552		BFL	-	-				9,8	11,5		0,0246	-				-	10,3	12	0,0287	-				-	10,8	12,5	0,0338	-				5	11,4	13,1	0,0390	-				20	12,1	13,8	0,0451	-				30	12,5	14,2	0,0492	-				37	12,9	14,6	0,0523	-				57	13,8	15,5	0,0605	-				80	14,8	16,5	0,0697	-				105	15,9	18,9	0,0800	-				130	17	20	0,0902	10				155	17,4	20,4	0,0882	15			160	17,6	20,6	0,0900	35	180	18,4		21,4	0,0972	50	195	19,1	22,1	0,1026	60	205	19,5	22,5	0,1062	70	230	20,6	23,6	0,1152	80	280	22,8	25,8	0,1332	90	235	20,8	23,8	0,1170	110	255	21,7	24,7	0,1242	135	280	22,8	25,8	0,1332	225 x	180	235	27,1	30,1		0,1692	BFL	280	-		37		13,4	15,1		0,0587		BFL	-		-			9,8	11,5				0,0246	-		-	10,3				12	0,0287	-	-	10,8				12,5	0,0338	-	5	11,4				13,1	0,0390	-	20	12,1				13,8	0,0451	-	30	12,5				14,2	0,0492	-	37	12,9				14,6	0,0523	-	57	13,8				15,5	0,0605	-	80	14,8				16,5	0,0697	-	105	15,9				18,9	0,0800	-	130	17				20	0,0902	10	155	17,4			20,4	0,0882	15	160	17,6	20,6	0,0900		35	180	18,4	21,4	0,0972	50	195	19,1	22,1	0,1026	60	205	19,5	22,5	0,1062	70	230	20,6	23,6	0,1152	80	280	22,8	25,8	0,1332	90	235	20,8	23,8	0,1170	110	255	21,7	24,7	0,1242	135	280	22,8	25,8	0,1332	225 x	180	235	27,1	30,1		0,1692	BFL	280	-		57		14,4	16,1		0,0679			BFL	-	-					9,8	11,5		0,0246	-					-	10,3	12	0,0287				-	-	10,8	12,5	0,0338				-	5	11,4	13,1	0,0390				-	20	12,1	13,8	0,0451				-	30	12,5	14,2	0,0492				-	37	12,9	14,6	0,0523				-	57	13,8	15,5	0,0605				-	80	14,8	16,5	0,0697				-	105	15,9	18,9	0,0800				-	130	17	20	0,0902			10	155	17,4	20,4	0,0882	15	160	17,6		20,6	0,0900	35	180	18,4	21,4	0,0972	50	195	19,1	22,1	0,1026	60	205	19,5	22,5	0,1062	70	230	20,6	23,6	0,1152	80	280	22,8	25,8	0,1332	90	235	20,8	23,8	0,1170	110	255	21,7	24,7	0,1242	135	280	22,8	25,8	0,1332	225 x	180	235	27,1	30,1		0,1692	BFL	280	-		80		15,4		17,1		0,0782		BFL		-		-			9,8	11,5					0,0246	-		-				10,3	12	0,0287	-	-				10,8	12,5	0,0338	-	5				11,4	13,1	0,0390	-	20				12,1	13,8	0,0451	-	30				12,5	14,2	0,0492	-	37				12,9	14,6	0,0523	-	57				13,8	15,5	0,0605	-	80				14,8	16,5	0,0697	-	105				15,9	18,9	0,0800	-	130			17	20	0,0902	10	155	17,4	20,4	0,0882		15	160	17,6	20,6	0,0900	35	180	18,4	21,4	0,0972	50	195	19,1	22,1	0,1026	60	205	19,5	22,5	0,1062	70	230	20,6	23,6	0,1152	80	280	22,8	25,8	0,1332	90	235	20,8	23,8	0,1170	110	255	21,7	24,7	0,1242	135	280	22,8	25,8	0,1332	225 x	180	235	27,1	30,1		0,1692	BFL	280	-			105		16,6	19,6			0,0897			BFL	-	-						9,8	11,5		0,0246				-		-	10,3	12				0,0287	-	-	10,8	12,5				0,0338	-	5	11,4	13,1				0,0390	-	20	12,1	13,8				0,0451	-	30	12,5	14,2				0,0492	-	37	12,9	14,6				0,0523	-	57	13,8	15,5				0,0605	-	80	14,8	16,5				0,0697	-	105	15,9	18,9			0,0800	-	130	17	20	0,0902	10	155	17,4		20,4	0,0882	15	160	17,6	20,6	0,0900	35	180	18,4	21,4	0,0972	50	195	19,1	22,1	0,1026	60	205	19,5	22,5	0,1062	70	230	20,6	23,6	0,1152	80	280	22,8	25,8	0,1332	90	235	20,8	23,8	0,1170	110	255	21,7	24,7	0,1242	135	280	22,8	25,8	0,1332	225 x	180	235	27,1	30,1		0,1692	BFL		280	-		130			17,8		20,8		0,1012		BFL				-	-			9,8				11,5		0,0246	-					-	10,3	12	0,0287	-				-	10,8	12,5	0,0338	-				5	11,4	13,1	0,0390	-				20	12,1	13,8	0,0451	-				30	12,5	14,2	0,0492	-				37	12,9	14,6	0,0523	-				57	13,8	15,5	0,0605	-				80	14,8	16,5	0,0697	-	105			15,9	18,9	0,0800	-	130	17	20	0,0902		10	155	17,4	20,4	0,0882	15	160	17,6	20,6	0,0900	35	180	18,4	21,4	0,0972	50	195	19,1	22,1	0,1026	60	205	19,5	22,5	0,1062	70	230	20,6	23,6	0,1152	80	280	22,8	25,8	0,1332	90	235	20,8	23,8	0,1170	110	255	21,7	24,7	0,1242	135	280	22,8	25,8	0,1332	225 x	180	235	27,1	30,1			0,1692	BFL	280	-				155		18,9	21,9					0,1127		BFL	-	-						9,8	11,5					0,0246	-		-	10,3				12	0,0287	-	-	10,8				12,5	0,0338	-	5	11,4				13,1	0,0390	-	20	12,1				13,8	0,0451	-	30	12,5				14,2	0,0492	-	37	12,9				14,6	0,0523	-	57	13,8				15,5	0,0605	-	80	14,8	16,5			0,0697	-	105	15,9	18,9	0,0800	-	130	17		20	0,0902	10	155	17,4	20,4	0,0882	15	160	17,6	20,6	0,0900	35	180	18,4	21,4	0,0972	50	195	19,1	22,1	0,1026	60	205	19,5	22,5	0,1062	70	230	20,6	23,6	0,1152	80	280	22,8	25,8	0,1332	90	235	20,8	23,8	0,1170	110	255	21,7	24,7	0,1242	135	280	22																																																																																																																																																																																																																																																																																																																																																																																																																																																																							
110	255	21,7	24,7	0,1242	135	280	22,8	25,8	0,1332	225 x	180	235	27,1	30,1		0,1692	BFL	280	-		30		13,1	14,8		0,0552		BFL	-		-			9,8	11,5				0,0246	-		-	10,3				12	0,0287	-	-	10,8				12,5	0,0338	-	5	11,4				13,1	0,0390	-	20	12,1				13,8	0,0451	-	30	12,5				14,2	0,0492	-	37	12,9				14,6	0,0523	-	57	13,8				15,5	0,0605	-	80	14,8				16,5	0,0697	-	105	15,9				18,9	0,0800	-	130	17				20	0,0902	10	155	17,4			20,4	0,0882	15	160	17,6	20,6	0,0900		35	180	18,4	21,4	0,0972	50	195	19,1	22,1	0,1026	60	205	19,5	22,5	0,1062	70	230	20,6	23,6	0,1152	80	280	22,8	25,8	0,1332	90	235	20,8	23,8	0,1170	110	255	21,7	24,7	0,1242	135	280	22,8	25,8	0,1332	225 x	180	235	27,1	30,1		0,1692	BFL	280	-		37		13,4	15,1		0,0587		BFL	-		-			9,8		11,5			0,0246	-				-	10,3		12	0,0287				-	-	10,8	12,5	0,0338				-	5	11,4	13,1	0,0390				-	20	12,1	13,8	0,0451				-	30	12,5	14,2	0,0492				-	37	12,9	14,6	0,0523				-	57	13,8	15,5	0,0605				-	80	14,8	16,5	0,0697				-	105	15,9	18,9	0,0800				-	130	17	20	0,0902			10	155	17,4	20,4	0,0882	15	160		17,6	20,6	0,0900	35	180	18,4	21,4	0,0972	50	195	19,1	22,1	0,1026	60	205	19,5	22,5	0,1062	70	230	20,6	23,6	0,1152	80	280	22,8	25,8	0,1332	90	235	20,8	23,8	0,1170	110	255	21,7	24,7	0,1242	135	280	22,8	25,8	0,1332	225 x	180	235	27,1	30,1		0,1692	BFL	280	-		57		14,4	16,1		0,0679		BFL	-		-				9,8	11,5					0,0246	-		-	10,3					12	0,0287	-	-				10,8	12,5	0,0338	-	5				11,4	13,1	0,0390	-	20				12,1	13,8	0,0451	-	30				12,5	14,2	0,0492	-	37				12,9	14,6	0,0523	-	57				13,8	15,5	0,0605	-	80				14,8	16,5	0,0697	-	105				15,9	18,9	0,0800	-	130			17	20	0,0902	10	155	17,4	20,4		0,0882	15	160	17,6	20,6	0,0900	35	180	18,4	21,4	0,0972	50	195	19,1	22,1	0,1026	60	205	19,5	22,5	0,1062	70	230	20,6	23,6	0,1152	80	280	22,8	25,8	0,1332	90	235	20,8	23,8	0,1170	110	255	21,7	24,7	0,1242	135	280	22,8	25,8	0,1332	225 x	180	235	27,1	30,1		0,1692	BFL	280	-		80		15,4	17,1		0,0782		BFL		-		-				9,8		11,5			0,0246	-					-	10,3		12				0,0287	-	-	10,8	12,5				0,0338	-	5	11,4	13,1				0,0390	-	20	12,1	13,8				0,0451	-	30	12,5	14,2				0,0492	-	37	12,9	14,6				0,0523	-	57	13,8	15,5				0,0605	-	80	14,8	16,5				0,0697	-	105	15,9	18,9			0,0800	-	130	17	20	0,0902	10		155	17,4	20,4	0,0882	15	160	17,6	20,6	0,0900	35	180	18,4	21,4	0,0972	50	195	19,1	22,1	0,1026	60	205	19,5	22,5	0,1062	70	230	20,6	23,6	0,1152	80	280	22,8	25,8	0,1332	90	235	20,8	23,8	0,1170	110	255	21,7	24,7	0,1242	135	280	22,8	25,8	0,1332	225 x	180	235	27,1	30,1		0,1692	BFL	280	-		105		16,6	19,6			0,0897		BFL	-			-				9,8	11,5						0,0246	-		-				10,3		12	0,0287	-				-	10,8	12,5	0,0338	-				5	11,4	13,1	0,0390	-				20	12,1	13,8	0,0451	-				30	12,5	14,2	0,0492	-				37	12,9	14,6	0,0523	-				57	13,8	15,5	0,0605	-				80	14,8	16,5	0,0697	-			105	15,9	18,9	0,0800	-	130	17		20	0,0902	10	155	17,4	20,4	0,0882	15	160	17,6	20,6	0,0900	35	180	18,4	21,4	0,0972	50	195	19,1	22,1	0,1026	60	205	19,5	22,5	0,1062	70	230	20,6	23,6	0,1152	80	280	22,8	25,8	0,1332	90	235	20,8	23,8	0,1170	110	255	21,7	24,7	0,1242	135	280	22,8	25,8	0,1332	225 x	180	235	27,1	30,1		0,1692	BFL	280	-		130			17,8	20,8		0,1012			BFL		-		-						9,8	11,5			0,0246				-		-	10,3					12	0,0287	-	-	10,8				12,5	0,0338	-	5	11,4				13,1	0,0390	-	20	12,1				13,8	0,0451	-	30	12,5				14,2	0,0492	-	37	12,9				14,6	0,0523	-	57	13,8				15,5	0,0605	-	80	14,8			16,5	0,0697	-	105	15,9	18,9	0,0800	-		130	17	20	0,0902	10	155	17,4	20,4	0,0882	15	160	17,6	20,6	0,0900	35	180	18,4	21,4	0,0972	50	195	19,1	22,1	0,1026	60	205	19,5	22,5	0,1062	70	230	20,6	23,6	0,1152	80	280	22,8	25,8	0,1332	90	235	20,8	23,8	0,1170	110	255	21,7	24,7	0,1242	135	280	22,8	25,8	0,1332	225 x	180	235	27,1	30,1		0,1692	BFL	280	-			155		18,9	21,9				0,1127		BFL	-					-			9,8	11,5						0,0246	-					-	10,3		12	0,0287				-	-	10,8	12,5	0,0338				-	5	11,4	13,1	0,0390				-	20	12,1	13,8	0,0451				-	30	12,5	14,2	0,0492				-	37	12,9	14,6	0,0523				-	57	13,8	15,5	0,0605			-	80	14,8	16,5	0,0697	-	105	15,9		18,9	0,0800	-	130	17	20	0,0902	10	155	17,4	20,4	0,0882	15	160	17,6	20,6	0,0900	35	180	18,4	21,4	0,0972	50	195	19,1	22,1	0,1026	60	205	19,5	22,5	0,1062	70	230	20,6	23,6	0,1152	80	280	22,8	25,8	0,1332	90	235	20,8	23,8	0,1170	110	255	21,7	24,7	0,1242	135	280	22																																																																																																																																																																																																																																																																																																																																																																																																																																																																												
135	280	22,8	25,8	0,1332	225 x	180	235	27,1	30,1		0,1692	BFL	280	-		30		13,1	14,8		0,0552		BFL	-		-			9,8		11,5			0,0246	-				-	10,3		12	0,0287				-	-	10,8	12,5	0,0338				-	5	11,4	13,1	0,0390				-	20	12,1	13,8	0,0451				-	30	12,5	14,2	0,0492				-	37	12,9	14,6	0,0523				-	57	13,8	15,5	0,0605				-	80	14,8	16,5	0,0697				-	105	15,9	18,9	0,0800				-	130	17	20	0,0902			10	155	17,4	20,4	0,0882	15	160		17,6	20,6	0,0900	35	180	18,4	21,4	0,0972	50	195	19,1	22,1	0,1026	60	205	19,5	22,5	0,1062	70	230	20,6	23,6	0,1152	80	280	22,8	25,8	0,1332	90	235	20,8	23,8	0,1170	110	255	21,7	24,7	0,1242	135	280	22,8	25,8	0,1332	225 x	180	235	27,1	30,1		0,1692	BFL	280	-		37		13,4	15,1		0,0587		BFL	-		-			9,8		11,5			0,0246		-			-	10,3				12	0,0287		-	-				10,8	12,5	0,0338	-	5				11,4	13,1	0,0390	-	20				12,1	13,8	0,0451	-	30				12,5	14,2	0,0492	-	37				12,9	14,6	0,0523	-	57				13,8	15,5	0,0605	-	80				14,8	16,5	0,0697	-	105				15,9	18,9	0,0800	-	130			17	20	0,0902	10	155	17,4	20,4		0,0882	15	160	17,6	20,6	0,0900	35	180	18,4	21,4	0,0972	50	195	19,1	22,1	0,1026	60	205	19,5	22,5	0,1062	70	230	20,6	23,6	0,1152	80	280	22,8	25,8	0,1332	90	235	20,8	23,8	0,1170	110	255	21,7	24,7	0,1242	135	280	22,8	25,8	0,1332	225 x	180	235	27,1	30,1		0,1692	BFL	280	-		57		14,4	16,1		0,0679		BFL	-		-			9,8		11,5				0,0246	-					-	10,3		12	0,0287					-	-	10,8	12,5				0,0338	-	5	11,4	13,1				0,0390	-	20	12,1	13,8				0,0451	-	30	12,5	14,2				0,0492	-	37	12,9	14,6				0,0523	-	57	13,8	15,5				0,0605	-	80	14,8	16,5				0,0697	-	105	15,9	18,9			0,0800	-	130	17	20	0,0902	10		155	17,4	20,4	0,0882	15	160	17,6	20,6	0,0900	35	180	18,4	21,4	0,0972	50	195	19,1	22,1	0,1026	60	205	19,5	22,5	0,1062	70	230	20,6	23,6	0,1152	80	280	22,8	25,8	0,1332	90	235	20,8	23,8	0,1170	110	255	21,7	24,7	0,1242	135	280	22,8	25,8	0,1332	225 x	180	235	27,1	30,1		0,1692	BFL	280	-		80		15,4	17,1		0,0782		BFL	-		-				9,8		11,5				0,0246		-			-	10,3					12	0,0287		-				-	10,8	12,5	0,0338	-				5	11,4	13,1	0,0390	-				20	12,1	13,8	0,0451	-				30	12,5	14,2	0,0492	-				37	12,9	14,6	0,0523	-				57	13,8	15,5	0,0605	-				80	14,8	16,5	0,0697	-			105	15,9	18,9	0,0800	-	130	17		20	0,0902	10	155	17,4	20,4	0,0882	15	160	17,6	20,6	0,0900	35	180	18,4	21,4	0,0972	50	195	19,1	22,1	0,1026	60	205	19,5	22,5	0,1062	70	230	20,6	23,6	0,1152	80	280	22,8	25,8	0,1332	90	235	20,8	23,8	0,1170	110	255	21,7	24,7	0,1242	135	280	22,8	25,8	0,1332	225 x	180	235	27,1	30,1		0,1692	BFL	280	-		105		16,6	19,6		0,0897		BFL	-			-			9,8			11,5				0,0246	-						-	10,3		12				0,0287		-	-	10,8				12,5	0,0338	-	5	11,4				13,1	0,0390	-	20	12,1				13,8	0,0451	-	30	12,5				14,2	0,0492	-	37	12,9				14,6	0,0523	-	57	13,8				15,5	0,0605	-	80	14,8			16,5	0,0697	-	105	15,9	18,9	0,0800		-	130	17	20	0,0902	10	155	17,4	20,4	0,0882	15	160	17,6	20,6	0,0900	35	180	18,4	21,4	0,0972	50	195	19,1	22,1	0,1026	60	205	19,5	22,5	0,1062	70	230	20,6	23,6	0,1152	80	280	22,8	25,8	0,1332	90	235	20,8	23,8	0,1170	110	255	21,7	24,7	0,1242	135	280	22,8	25,8	0,1332	225 x	180	235	27,1	30,1		0,1692	BFL	280	-		130		17,8	20,8		0,1012			BFL	-		-					9,8		11,5						0,0246	-			-				10,3		12	0,0287					-	-	10,8	12,5	0,0338				-	5	11,4	13,1	0,0390				-	20	12,1	13,8	0,0451				-	30	12,5	14,2	0,0492				-	37	12,9	14,6	0,0523				-	57	13,8	15,5	0,0605			-	80	14,8	16,5	0,0697	-	105		15,9	18,9	0,0800	-	130	17	20	0,0902	10	155	17,4	20,4	0,0882	15	160	17,6	20,6	0,0900	35	180	18,4	21,4	0,0972	50	195	19,1	22,1	0,1026	60	205	19,5	22,5	0,1062	70	230	20,6	23,6	0,1152	80	280	22,8	25,8	0,1332	90	235	20,8	23,8	0,1170	110	255	21,7	24,7	0,1242	135	280	22,8	25,8	0,1332	225 x	180	235	27,1	30,1		0,1692	BFL	280	-		155		18,9	21,9			0,1127		BFL	-				-			9,8					11,5			0,0246	-						-	10,3					12	0,0287		-	-				10,8	12,5	0,0338	-	5				11,4	13,1	0,0390	-	20				12,1	13,8	0,0451	-	30				12,5	14,2	0,0492	-	37				12,9	14,6	0,0523	-	57			13,8	15,5	0,0605	-	80	14,8	16,5		0,0697	-	105	15,9	18,9	0,0800	-	130	17	20	0,0902	10	155	17,4	20,4	0,0882	15	160	17,6	20,6	0,0900	35	180	18,4	21,4	0,0972	50	195	19,1	22,1	0,1026	60	205	19,5	22,5	0,1062	70	230	20,6	23,6	0,1152	80	280	22,8	25,8	0,1332	90	235	20,8	23,8	0,1170	110	255	21,7	24,7	0,1242	135	280	22																																																																																																																																																																																																																																																																																																																																																																																																																																																																																	
225 x	180	235	27,1	30,1		0,1692	BFL	280	-		30		13,1	14,8		0,0552		BFL																																																																																																																																																																																																																																																																																																																																																																																																																																																																																																																																																																																																																																																																																																																																																																																																																																																																																																																																																																																																																																																																																																																																																																																																																																																																																																																																																																																																																																																																																																																																																																																																																																																													
	-	-	9,8	11,5		0,0246		-	-		10,3		12	0,0287		-			-		10,8			12,5		0,0338			-		5			11,4	13,1				0,0390	-		20	12,1				13,8	0,0451	-	30	12,5				14,2	0,0492	-	37	12,9				14,6	0,0523	-	57	13,8				15,5	0,0605	-	80	14,8				16,5	0,0697	-	105	15,9				18,9	0,0800	-	130	17				20	0,0902	10	155	17,4			20,4	0,0882	15	160	17,6	20,6	0,0900		35	180	18,4	21,4	0,0972	50	195	19,1	22,1	0,1026	60	205	19,5	22,5	0,1062	70	230	20,6	23,6	0,1152	80	280	22,8	25,8	0,1332	90	235	20,8	23,8	0,1170	110	255	21,7	24,7	0,1242	135	280	22,8	25,8	0,1332	225 x	180	235	27,1	30,1	0,1692	BFL	280	-	37	13,4	15,1	0,0587	BFL	-	-	9,8	11,5	0,0246		-	-	10,3	12		0,0287		-	-		10,8		12,5	0,0338		-			5		11,4			13,1		0,0390			-		20			12,1	13,8				0,0451	-		30	12,5				14,2	0,0492	-	37	12,9				14,6	0,0523	-	57	13,8				15,5	0,0605	-	80	14,8				16,5	0,0697	-	105	15,9				18,9	0,0800	-	130	17				20	0,0902	10	155	17,4			20,4	0,0882	15	160	17,6	20,6	0,0900		35	180	18,4	21,4	0,0972	50	195	19,1	22,1	0,1026	60	205	19,5	22,5	0,1062	70	230	20,6	23,6	0,1152	80	280	22,8	25,8	0,1332	90	235	20,8	23,8	0,1170	110	255	21,7	24,7	0,1242	135	280	22,8	25,8	0,1332	225 x	180	235	27,1	30,1	0,1692	BFL	280	-	57	14,4	16,1	0,0679	BFL	-	-	9,8	11,5	0,0246	-	-	10,3		12	0,0287	-	-		10,8		12,5	0,0338		-		5	11,4		13,1			0,0390		-			20		12,1				13,8	0,0451					-	30		12,5	14,2					0,0492	-	37	12,9				14,6	0,0523	-	57	13,8				15,5	0,0605	-	80	14,8				16,5	0,0697	-	105	15,9				18,9	0,0800	-	130	17				20	0,0902	10	155	17,4			20,4	0,0882	15	160	17,6	20,6	0,0900		35	180	18,4	21,4	0,0972	50	195	19,1	22,1	0,1026	60	205	19,5	22,5	0,1062	70	230	20,6	23,6	0,1152	80	280	22,8	25,8	0,1332	90	235	20,8	23,8	0,1170	110	255	21,7	24,7	0,1242	135	280	22,8	25,8	0,1332	225 x	180	235	27,1	30,1	0,1692	BFL	280	-	80	15,4	17,1	0,0782	BFL	-	-	9,8	11,5	0,0246	-	-	10,3	12	0,0287	-		-	10,8	12,5	0,0338		-		5	11,4		13,1		0,0390	-		20			12,1		13,8				0,0451		-				30		12,5			14,2	0,0492					-	37		12,9				14,6	0,0523	-	57	13,8				15,5	0,0605	-	80	14,8				16,5	0,0697	-	105	15,9				18,9	0,0800	-	130	17				20	0,0902	10	155	17,4			20,4	0,0882	15	160	17,6	20,6	0,0900		35	180	18,4	21,4	0,0972	50	195	19,1	22,1	0,1026	60	205	19,5	22,5	0,1062	70	230	20,6	23,6	0,1152	80	280	22,8	25,8	0,1332	90	235	20,8	23,8	0,1170	110	255	21,7	24,7	0,1242	135	280	22,8	25,8	0,1332	225 x	180	235	27,1	30,1	0,1692	BFL	280	-	105	16,6	19,6	0,0897	BFL	-	-	9,8	11,5	0,0246	-	-	10,3	12	0,0287	-	-	10,8	12,5		0,0338	-	5	11,4		13,1		0,0390	-		20		12,1	13,8		0,0451			-			30			12,5			14,2				0,0492	-						37	12,9		14,6				0,0523		-	57	13,8				15,5	0,0605	-	80	14,8				16,5	0,0697	-	105	15,9				18,9	0,0800	-	130	17				20	0,0902	10	155	17,4			20,4	0,0882	15	160	17,6	20,6	0,0900		35	180	18,4	21,4	0,0972	50	195	19,1	22,1	0,1026	60	205	19,5	22,5	0,1062	70	230	20,6	23,6	0,1152	80	280	22,8	25,8	0,1332	90	235	20,8	23,8	0,1170	110	255	21,7	24,7	0,1242	135	280	22,8	25,8	0,1332	225 x	180	235	27,1	30,1	0,1692	BFL	280	-	130	17,8	20,8	0,1012	BFL	-	-	9,8	11,5	0,0246	-	-	10,3	12	0,0287	-	-	10,8	12,5	0,0338	-	5		11,4	13,1	0,0390	-		20		12,1	13,8		0,0451		-	30		12,5				14,2		0,0492					-		37						12,9	14,6			0,0523				-		57	13,8					15,5	0,0605	-	80	14,8				16,5	0,0697	-	105	15,9				18,9	0,0800	-	130	17				20	0,0902	10	155	17,4			20,4	0,0882	15	160	17,6	20,6	0,0900		35	180	18,4	21,4	0,0972	50	195	19,1	22,1	0,1026	60	205	19,5	22,5	0,1062	70	230	20,6	23,6	0,1152	80	280	22,8	25,8	0,1332	90	235	20,8	23,8	0,1170	110	255	21,7	24,7	0,1242	135	280	22,8	25,8	0,1332	225 x	180	235	27,1	30,1	0,1692	BFL	280	-	155	18,9	21,9	0,1127	BFL	-	-	9,8	11,5	0,0246	-	-	10,3	12	0,0287	-	-	10,8	12,5	0,0338	-	5	11,4	13,1	0,0390		-	20	12,1	13,8		0,0451		-	30		12,5		14,2	0,0492			-			37				12,9			14,6					0,0523			-	57						13,8	15,5					0,0605	-		80	14,8				16,5	0,0697	-	105	15,9				18,9	0,0800	-	130	17				20	0,0902	10	155	17,4			20,4	0,0882	15	160	17,6	20,6	0,0900		35	180	18,4	21,4	0,0972	50	195	19,1	22,1	0,1026	60	205	19,5	22,5	0,1062	70	230	20,6	23,6	0,1152	80	280	22,8	25,8	0,1332	90	235	20,8	23,8	0,1170	110	255	21,7	24,7	0,1242	135	280	22																																																																																																																																																																																																																																																																																																																																																																																																																																																																																																																						
	-	-	10,3	12		0,0287		-	-		10,8		12,5	0,0338		-			5		11,4			13,1		0,0390			-		20			12,1	13,8				0,0451	-		30	12,5				14,2	0,0492	-	37	12,9				14,6	0,0523	-	57	13,8				15,5	0,0605	-	80	14,8				16,5	0,0697	-	105	15,9				18,9	0,0800	-	130	17				20	0,0902	10	155	17,4			20,4	0,0882	15	160	17,6	20,6	0,0900		35	180	18,4	21,4	0,0972	50	195	19,1	22,1	0,1026	60	205	19,5	22,5	0,1062	70	230	20,6	23,6	0,1152	80	280	22,8	25,8	0,1332	90	235	20,8	23,8	0,1170	110	255	21,7	24,7	0,1242	135	280	22,8	25,8	0,1332	225 x	180	235	27,1	30,1	0,1692	BFL	280		-	37	13,4	15,1	0,0587		BFL	-	-	9,8	11,5	0,0246		-	-	10,3	12	0,0287		-	-	10,8	12,5		0,0338		-	5		11,4		13,1	0,0390		-			20		12,1			13,8		0,0451			-		30			12,5	14,2				0,0492	-		37	12,9				14,6	0,0523	-	57	13,8				15,5	0,0605	-	80	14,8				16,5	0,0697	-	105	15,9				18,9	0,0800	-	130	17				20	0,0902	10	155	17,4			20,4	0,0882	15	160	17,6	20,6	0,0900		35	180	18,4	21,4	0,0972	50	195	19,1	22,1	0,1026	60	205	19,5	22,5	0,1062	70	230	20,6	23,6	0,1152	80	280	22,8	25,8	0,1332	90	235	20,8	23,8	0,1170	110	255	21,7	24,7	0,1242	135	280	22,8	25,8	0,1332	225 x	180	235	27,1	30,1	0,1692	BFL	280		-	57	14,4	16,1	0,0679		BFL	-	-	9,8	11,5	0,0246		-	-	10,3	12	0,0287	-	-	10,8		12,5	0,0338	-	5		11,4		13,1	0,0390		-		20	12,1		13,8			0,0451		-			30		12,5				14,2	0,0492					-	37		12,9	14,6					0,0523	-	57	13,8				15,5	0,0605	-	80	14,8				16,5	0,0697	-	105	15,9				18,9	0,0800	-	130	17				20	0,0902	10	155	17,4			20,4	0,0882	15	160	17,6	20,6	0,0900		35	180	18,4	21,4	0,0972	50	195	19,1	22,1	0,1026	60	205	19,5	22,5	0,1062	70	230	20,6	23,6	0,1152	80	280	22,8	25,8	0,1332	90	235	20,8	23,8	0,1170	110	255	21,7	24,7	0,1242	135	280	22,8	25,8	0,1332	225 x	180	235	27,1	30,1	0,1692	BFL	280		-	80	15,4	17,1	0,0782		BFL	-	-	9,8	11,5	0,0246		-	-	10,3	12	0,0287	-	-	10,8	12,5	0,0338	-		5	11,4	13,1	0,0390		-		20	12,1		13,8		0,0451	-		30			12,5		14,2				0,0492		-				37		12,9			14,6	0,0523					-	57		13,8				15,5	0,0605	-	80	14,8				16,5	0,0697	-	105	15,9				18,9	0,0800	-	130	17				20	0,0902	10	155	17,4			20,4	0,0882	15	160	17,6	20,6	0,0900		35	180	18,4	21,4	0,0972	50	195	19,1	22,1	0,1026	60	205	19,5	22,5	0,1062	70	230	20,6	23,6	0,1152	80	280	22,8	25,8	0,1332	90	235	20,8	23,8	0,1170	110	255	21,7	24,7	0,1242	135	280	22,8	25,8	0,1332	225 x	180	235	27,1	30,1	0,1692	BFL	280		-	105	16,6	19,6	0,0897		BFL	-	-	9,8	11,5	0,0246		-	-	10,3	12	0,0287	-	-	10,8	12,5	0,0338	-	5	11,4	13,1		0,0390	-	20	12,1		13,8		0,0451	-		30		12,5	14,2		0,0492			-			37			12,9			14,6				0,0523	-						57	13,8		15,5				0,0605		-	80	14,8				16,5	0,0697	-	105	15,9				18,9	0,0800	-	130	17				20	0,0902	10	155	17,4			20,4	0,0882	15	160	17,6	20,6	0,0900		35	180	18,4	21,4	0,0972	50	195	19,1	22,1	0,1026	60	205	19,5	22,5	0,1062	70	230	20,6	23,6	0,1152	80	280	22,8	25,8	0,1332	90	235	20,8	23,8	0,1170	110	255	21,7	24,7	0,1242	135	280	22,8	25,8	0,1332	225 x	180	235	27,1	30,1	0,1692	BFL	280		-	130	17,8	20,8	0,1012		BFL	-	-	9,8	11,5	0,0246		-	-	10,3	12	0,0287	-	-	10,8	12,5	0,0338	-	5	11,4	13,1	0,0390	-	20		12,1	13,8	0,0451	-		30		12,5	14,2		0,0492		-	37		12,9				14,6		0,0523					-		57						13,8	15,5			0,0605				-		80	14,8					16,5	0,0697	-	105	15,9				18,9	0,0800	-	130	17				20	0,0902	10	155	17,4			20,4	0,0882	15	160	17,6	20,6	0,0900		35	180	18,4	21,4	0,0972	50	195	19,1	22,1	0,1026	60	205	19,5	22,5	0,1062	70	230	20,6	23,6	0,1152	80	280	22,8	25,8	0,1332	90	235	20,8	23,8	0,1170	110	255	21,7	24,7	0,1242	135	280	22,8	25,8	0,1332	225 x	180	235	27,1	30,1	0,1692	BFL	280		-	155	18,9	21,9	0,1127		BFL	-	-	9,8	11,5	0,0246		-	-	10,3	12	0,0287	-	-	10,8	12,5	0,0338	-	5	11,4	13,1	0,0390	-	20	12,1	13,8	0,0451		-	30	12,5	14,2		0,0492		-	37		12,9		14,6	0,0523			-			57				13,8			15,5					0,0605			-	80						14,8	16,5					0,0697	-		105	15,9				18,9	0,0800	-	130	17				20	0,0902	10	155	17,4			20,4	0,0882	15	160	17,6	20,6	0,0900		35	180	18,4	21,4	0,0972	50	195	19,1	22,1	0,1026	60	205	19,5	22,5	0,1062	70	230	20,6	23,6	0,1152	80	280	22,8	25,8	0,1332	90	235	20,8	23,8	0,1170	110	255	21,7	24,7	0,1242	135	280	22																																																																																																																																																																																																																																																																																																																																																																																																																																																																																																																														
	-	-	10,8	12,5		0,0338		-	5		11,4		13,1	0,0390		-			20		12,1			13,8		0,0451			-		30			12,5	14,2				0,0492	-		37	12,9				14,6	0,0523	-	57	13,8				15,5	0,0605	-	80	14,8				16,5	0,0697	-	105	15,9				18,9	0,0800	-	130	17				20	0,0902	10	155	17,4			20,4	0,0882	15	160	17,6	20,6	0,0900		35	180	18,4	21,4	0,0972	50	195	19,1	22,1	0,1026	60	205	19,5	22,5	0,1062	70	230	20,6	23,6	0,1152	80	280	22,8	25,8	0,1332	90	235	20,8	23,8	0,1170	110	255	21,7	24,7	0,1242	135	280	22,8	25,8	0,1332	225 x	180	235	27,1	30,1	0,1692	BFL	280		-	37	13,4	15,1	0,0587		BFL		-	-	9,8	11,5	0,0246			-	-	10,3	12	0,0287		-	-	10,8	12,5	0,0338		-	5	11,4	13,1		0,0390		-	20		12,1		13,8	0,0451		-			30		12,5			14,2		0,0492			-		37			12,9	14,6				0,0523	-		57	13,8				15,5	0,0605	-	80	14,8				16,5	0,0697	-	105	15,9				18,9	0,0800	-	130	17				20	0,0902	10	155	17,4			20,4	0,0882	15	160	17,6	20,6	0,0900		35	180	18,4	21,4	0,0972	50	195	19,1	22,1	0,1026	60	205	19,5	22,5	0,1062	70	230	20,6	23,6	0,1152	80	280	22,8	25,8	0,1332	90	235	20,8	23,8	0,1170	110	255	21,7	24,7	0,1242	135	280	22,8	25,8	0,1332	225 x	180	235	27,1	30,1	0,1692	BFL	280		-	57	14,4	16,1	0,0679		BFL		-	-	9,8	11,5	0,0246			-	-	10,3	12	0,0287		-	-	10,8	12,5	0,0338	-	5	11,4		13,1	0,0390	-	20		12,1		13,8	0,0451		-		30	12,5		14,2			0,0492		-			37		12,9				14,6	0,0523					-	57		13,8	15,5					0,0605	-	80	14,8				16,5	0,0697	-	105	15,9				18,9	0,0800	-	130	17				20	0,0902	10	155	17,4			20,4	0,0882	15	160	17,6	20,6	0,0900		35	180	18,4	21,4	0,0972	50	195	19,1	22,1	0,1026	60	205	19,5	22,5	0,1062	70	230	20,6	23,6	0,1152	80	280	22,8	25,8	0,1332	90	235	20,8	23,8	0,1170	110	255	21,7	24,7	0,1242	135	280	22,8	25,8	0,1332	225 x	180	235	27,1	30,1	0,1692	BFL	280		-	80	15,4	17,1	0,0782		BFL		-	-	9,8	11,5	0,0246			-	-	10,3	12	0,0287		-	-	10,8	12,5	0,0338	-	5	11,4	13,1	0,0390	-		20	12,1	13,8	0,0451		-		30	12,5		14,2		0,0492	-		37			12,9		14,6				0,0523		-				57		13,8			15,5	0,0605					-	80		14,8				16,5	0,0697	-	105	15,9				18,9	0,0800	-	130	17				20	0,0902	10	155	17,4			20,4	0,0882	15	160	17,6	20,6	0,0900		35	180	18,4	21,4	0,0972	50	195	19,1	22,1	0,1026	60	205	19,5	22,5	0,1062	70	230	20,6	23,6	0,1152	80	280	22,8	25,8	0,1332	90	235	20,8	23,8	0,1170	110	255	21,7	24,7	0,1242	135	280	22,8	25,8	0,1332	225 x	180	235	27,1	30,1	0,1692	BFL	280		-	105	16,6	19,6	0,0897		BFL		-	-	9,8	11,5	0,0246			-	-	10,3	12	0,0287		-	-	10,8	12,5	0,0338	-	5	11,4	13,1	0,0390	-	20	12,1	13,8		0,0451	-	30	12,5		14,2		0,0492	-		37		12,9	14,6		0,0523			-			57			13,8			15,5				0,0605	-						80	14,8		16,5				0,0697		-	105	15,9				18,9	0,0800	-	130	17				20	0,0902	10	155	17,4			20,4	0,0882	15	160	17,6	20,6	0,0900		35	180	18,4	21,4	0,0972	50	195	19,1	22,1	0,1026	60	205	19,5	22,5	0,1062	70	230	20,6	23,6	0,1152	80	280	22,8	25,8	0,1332	90	235	20,8	23,8	0,1170	110	255	21,7	24,7	0,1242	135	280	22,8	25,8	0,1332	225 x	180	235	27,1	30,1	0,1692	BFL	280		-	130	17,8	20,8	0,1012		BFL		-	-	9,8	11,5	0,0246			-	-	10,3	12	0,0287		-	-	10,8	12,5	0,0338	-	5	11,4	13,1	0,0390	-	20	12,1	13,8	0,0451	-	30		12,5	14,2	0,0492	-		37		12,9	14,6		0,0523		-	57		13,8				15,5		0,0605					-		80						14,8	16,5			0,0697				-		105	15,9					18,9	0,0800	-	130	17				20	0,0902	10	155	17,4			20,4	0,0882	15	160	17,6	20,6	0,0900		35	180	18,4	21,4	0,0972	50	195	19,1	22,1	0,1026	60	205	19,5	22,5	0,1062	70	230	20,6	23,6	0,1152	80	280	22,8	25,8	0,1332	90	235	20,8	23,8	0,1170	110	255	21,7	24,7	0,1242	135	280	22,8	25,8	0,1332	225 x	180	235	27,1	30,1	0,1692	BFL	280		-	155	18,9	21,9	0,1127		BFL		-	-	9,8	11,5	0,0246			-	-	10,3	12	0,0287		-	-	10,8	12,5	0,0338	-	5	11,4	13,1	0,0390	-	20	12,1	13,8	0,0451	-	30	12,5	14,2	0,0492		-	37	12,9	14,6		0,0523		-	57		13,8		15,5	0,0605			-			80				14,8			16,5					0,0697			-	105						15,9	18,9					0,0800	-		130	17				20	0,0902	10	155	17,4			20,4	0,0882	15	160	17,6	20,6	0,0900		35	180	18,4	21,4	0,0972	50	195	19,1	22,1	0,1026	60	205	19,5	22,5	0,1062	70	230	20,6	23,6	0,1152	80	280	22,8	25,8	0,1332	90	235	20,8	23,8	0,1170	110	255	21,7	24,7	0,1242	135	280	22																																																																																																																																																																																																																																																																																																																																																																																																																																																																																																																																						
	-	5	11,4	13,1		0,0390		-	20		12,1		13,8	0,0451		-			30		12,5			14,2		0,0492			-		37			12,9	14,6				0,0523	-		57	13,8				15,5	0,0605	-	80	14,8				16,5	0,0697	-	105	15,9				18,9	0,0800	-	130	17				20	0,0902	10	155	17,4			20,4	0,0882	15	160	17,6	20,6	0,0900		35	180	18,4	21,4	0,0972	50	195	19,1	22,1	0,1026	60	205	19,5	22,5	0,1062	70	230	20,6	23,6	0,1152	80	280	22,8	25,8	0,1332	90	235	20,8	23,8	0,1170	110	255	21,7	24,7	0,1242	135	280	22,8	25,8	0,1332	225 x	180	235	27,1	30,1	0,1692	BFL	280		-	37	13,4	15,1	0,0587		BFL		-	-	9,8	11,5	0,0246				-	-	10,3	12	0,0287			-	-	10,8	12,5	0,0338		-	5	11,4	13,1	0,0390		-	20	12,1	13,8		0,0451		-	30		12,5		14,2	0,0492		-			37		12,9			14,6		0,0523			-		57			13,8	15,5				0,0605	-		80	14,8				16,5	0,0697	-	105	15,9				18,9	0,0800	-	130	17				20	0,0902	10	155	17,4			20,4	0,0882	15	160	17,6	20,6	0,0900		35	180	18,4	21,4	0,0972	50	195	19,1	22,1	0,1026	60	205	19,5	22,5	0,1062	70	230	20,6	23,6	0,1152	80	280	22,8	25,8	0,1332	90	235	20,8	23,8	0,1170	110	255	21,7	24,7	0,1242	135	280	22,8	25,8	0,1332	225 x	180	235	27,1	30,1	0,1692	BFL	280		-	57	14,4	16,1	0,0679		BFL		-	-	9,8	11,5	0,0246				-	-	10,3	12	0,0287			-	-	10,8	12,5	0,0338		-	5	11,4	13,1	0,0390	-	20	12,1		13,8	0,0451	-	30		12,5		14,2	0,0492		-		37	12,9		14,6			0,0523		-			57		13,8				15,5	0,0605					-	80		14,8	16,5					0,0697	-	105	15,9				18,9	0,0800	-	130	17				20	0,0902	10	155	17,4			20,4	0,0882	15	160	17,6	20,6	0,0900		35	180	18,4	21,4	0,0972	50	195	19,1	22,1	0,1026	60	205	19,5	22,5	0,1062	70	230	20,6	23,6	0,1152	80	280	22,8	25,8	0,1332	90	235	20,8	23,8	0,1170	110	255	21,7	24,7	0,1242	135	280	22,8	25,8	0,1332	225 x	180	235	27,1	30,1	0,1692	BFL	280		-	80	15,4	17,1	0,0782		BFL		-	-	9,8	11,5	0,0246				-	-	10,3	12	0,0287			-	-	10,8	12,5	0,0338		-	5	11,4	13,1	0,0390	-	20	12,1	13,8	0,0451	-		30	12,5	14,2	0,0492		-		37	12,9		14,6		0,0523	-		57			13,8		15,5				0,0605		-				80		14,8			16,5	0,0697					-	105		15,9				18,9	0,0800	-	130	17				20	0,0902	10	155	17,4			20,4	0,0882	15	160	17,6	20,6	0,0900		35	180	18,4	21,4	0,0972	50	195	19,1	22,1	0,1026	60	205	19,5	22,5	0,1062	70	230	20,6	23,6	0,1152	80	280	22,8	25,8	0,1332	90	235	20,8	23,8	0,1170	110	255	21,7	24,7	0,1242	135	280	22,8	25,8	0,1332	225 x	180	235	27,1	30,1	0,1692	BFL	280		-	105	16,6	19,6	0,0897		BFL		-	-	9,8	11,5	0,0246				-	-	10,3	12	0,0287			-	-	10,8	12,5	0,0338		-	5	11,4	13,1	0,0390	-	20	12,1	13,8	0,0451	-	30	12,5	14,2		0,0492	-	37	12,9		14,6		0,0523	-		57		13,8	15,5		0,0605			-			80			14,8			16,5				0,0697	-						105	15,9		18,9				0,0800		-	130	17				20	0,0902	10	155	17,4			20,4	0,0882	15	160	17,6	20,6	0,0900		35	180	18,4	21,4	0,0972	50	195	19,1	22,1	0,1026	60	205	19,5	22,5	0,1062	70	230	20,6	23,6	0,1152	80	280	22,8	25,8	0,1332	90	235	20,8	23,8	0,1170	110	255	21,7	24,7	0,1242	135	280	22,8	25,8	0,1332	225 x	180	235	27,1	30,1	0,1692	BFL	280		-	130	17,8	20,8	0,1012		BFL		-	-	9,8	11,5	0,0246				-	-	10,3	12	0,0287			-	-	10,8	12,5	0,0338		-	5	11,4	13,1	0,0390	-	20	12,1	13,8	0,0451	-	30	12,5	14,2	0,0492	-	37		12,9	14,6	0,0523	-		57		13,8	15,5		0,0605		-	80		14,8				16,5		0,0697					-		105						15,9	18,9			0,0800				-		130	17					20	0,0902	10	155	17,4			20,4	0,0882	15	160	17,6	20,6	0,0900		35	180	18,4	21,4	0,0972	50	195	19,1	22,1	0,1026	60	205	19,5	22,5	0,1062	70	230	20,6	23,6	0,1152	80	280	22,8	25,8	0,1332	90	235	20,8	23,8	0,1170	110	255	21,7	24,7	0,1242	135	280	22,8	25,8	0,1332	225 x	180	235	27,1	30,1	0,1692	BFL	280		-	155	18,9	21,9	0,1127		BFL		-	-	9,8	11,5	0,0246				-	-	10,3	12	0,0287			-	-	10,8	12,5	0,0338		-	5	11,4	13,1	0,0390	-	20	12,1	13,8	0,0451	-	30	12,5	14,2	0,0492	-	37	12,9	14,6	0,0523		-	57	13,8	15,5		0,0605		-	80		14,8		16,5	0,0697			-			105				15,9			18,9					0,0800			-	130						17	20					0,0902	10		155	17,4			20,4	0,0882	15	160	17,6	20,6	0,0900		35	180	18,4	21,4	0,0972	50	195	19,1	22,1	0,1026	60	205	19,5	22,5	0,1062	70	230	20,6	23,6	0,1152	80	280	22,8	25,8	0,1332	90	235	20,8	23,8	0,1170	110	255	21,7	24,7	0,1242	135	280	22																																																																																																																																																																																																																																																																																																																																																																																																																																																																																																																																														
	-	20	12,1	13,8		0,0451		-	30		12,5		14,2	0,0492		-			37		12,9			14,6		0,0523			-		57			13,8	15,5				0,0605	-		80	14,8				16,5	0,0697	-	105	15,9				18,9	0,0800	-	130	17				20	0,0902	10	155	17,4			20,4	0,0882	15	160	17,6	20,6	0,0900		35	180	18,4	21,4	0,0972	50	195	19,1	22,1	0,1026	60	205	19,5	22,5	0,1062	70	230	20,6	23,6	0,1152	80	280	22,8	25,8	0,1332	90	235	20,8	23,8	0,1170	110	255	21,7	24,7	0,1242	135	280	22,8	25,8	0,1332	225 x	180	235	27,1	30,1	0,1692	BFL	280		-	37	13,4	15,1	0,0587		BFL		-	-	9,8	11,5	0,0246				-	-	10,3	12	0,0287				-	-	10,8	12,5	0,0338			-	5	11,4	13,1	0,0390		-	20	12,1	13,8	0,0451		-	30	12,5	14,2		0,0492		-	37		12,9		14,6	0,0523		-			57		13,8			15,5		0,0605			-		80			14,8	16,5				0,0697	-		105	15,9				18,9	0,0800	-	130	17				20	0,0902	10	155	17,4			20,4	0,0882	15	160	17,6	20,6	0,0900		35	180	18,4	21,4	0,0972	50	195	19,1	22,1	0,1026	60	205	19,5	22,5	0,1062	70	230	20,6	23,6	0,1152	80	280	22,8	25,8	0,1332	90	235	20,8	23,8	0,1170	110	255	21,7	24,7	0,1242	135	280	22,8	25,8	0,1332	225 x	180	235	27,1	30,1	0,1692	BFL	280		-	57	14,4	16,1	0,0679		BFL		-	-	9,8	11,5	0,0246				-	-	10,3	12	0,0287				-	-	10,8	12,5	0,0338			-	5	11,4	13,1	0,0390		-	20	12,1	13,8	0,0451	-	30	12,5		14,2	0,0492	-	37		12,9		14,6	0,0523		-		57	13,8		15,5			0,0605		-			80		14,8				16,5	0,0697					-	105		15,9	18,9					0,0800	-	130	17				20	0,0902	10	155	17,4			20,4	0,0882	15	160	17,6	20,6	0,0900		35	180	18,4	21,4	0,0972	50	195	19,1	22,1	0,1026	60	205	19,5	22,5	0,1062	70	230	20,6	23,6	0,1152	80	280	22,8	25,8	0,1332	90	235	20,8	23,8	0,1170	110	255	21,7	24,7	0,1242	135	280	22,8	25,8	0,1332	225 x	180	235	27,1	30,1	0,1692	BFL	280		-	80	15,4	17,1	0,0782		BFL		-	-	9,8	11,5	0,0246				-	-	10,3	12	0,0287				-	-	10,8	12,5	0,0338			-	5	11,4	13,1	0,0390		-	20	12,1	13,8	0,0451	-	30	12,5	14,2	0,0492	-		37	12,9	14,6	0,0523		-		57	13,8		15,5		0,0605	-		80			14,8		16,5				0,0697		-				105		15,9			18,9	0,0800					-	130		17				20	0,0902	10	155	17,4			20,4	0,0882	15	160	17,6	20,6	0,0900		35	180	18,4	21,4	0,0972	50	195	19,1	22,1	0,1026	60	205	19,5	22,5	0,1062	70	230	20,6	23,6	0,1152	80	280	22,8	25,8	0,1332	90	235	20,8	23,8	0,1170	110	255	21,7	24,7	0,1242	135	280	22,8	25,8	0,1332	225 x	180	235	27,1	30,1	0,1692	BFL	280		-	105	16,6	19,6	0,0897		BFL		-	-	9,8	11,5	0,0246				-	-	10,3	12	0,0287				-	-	10,8	12,5	0,0338			-	5	11,4	13,1	0,0390		-	20	12,1	13,8	0,0451	-	30	12,5	14,2	0,0492	-	37	12,9	14,6		0,0523	-	57	13,8		15,5		0,0605	-		80		14,8	16,5		0,0697			-			105			15,9			18,9				0,0800	-						130	17		20				0,0902		10	155	17,4			20,4	0,0882	15	160	17,6	20,6	0,0900		35	180	18,4	21,4	0,0972	50	195	19,1	22,1	0,1026	60	205	19,5	22,5	0,1062	70	230	20,6	23,6	0,1152	80	280	22,8	25,8	0,1332	90	235	20,8	23,8	0,1170	110	255	21,7	24,7	0,1242	135	280	22,8	25,8	0,1332	225 x	180	235	27,1	30,1	0,1692	BFL	280		-	130	17,8	20,8	0,1012		BFL		-	-	9,8	11,5	0,0246				-	-	10,3	12	0,0287				-	-	10,8	12,5	0,0338			-	5	11,4	13,1	0,0390		-	20	12,1	13,8	0,0451	-	30	12,5	14,2	0,0492	-	37	12,9	14,6	0,0523	-	57		13,8	15,5	0,0605	-		80		14,8	16,5		0,0697		-	105		15,9				18,9		0,0800					-		130						17	20			0,0902				10		155	17,4				20,4	0,0882	15	160	17,6	20,6	0,0900		35	180	18,4	21,4	0,0972	50	195	19,1	22,1	0,1026	60	205	19,5	22,5	0,1062	70	230	20,6	23,6	0,1152	80	280	22,8	25,8	0,1332	90	235	20,8	23,8	0,1170	110	255	21,7	24,7	0,1242	135	280	22,8	25,8	0,1332	225 x	180	235	27,1	30,1	0,1692	BFL	280		-	155	18,9	21,9	0,1127		BFL		-	-	9,8	11,5	0,0246				-	-	10,3	12	0,0287				-	-	10,8	12,5	0,0338			-	5	11,4	13,1	0,0390		-	20	12,1	13,8	0,0451	-	30	12,5	14,2	0,0492	-	37	12,9	14,6	0,0523	-	57	13,8	15,5	0,0605		-	80	14,8	16,5		0,0697		-	105		15,9		18,9	0,0800			-			130				17			20					0,0902			10	155						17,4	20,4				0,0882	15	160		17,6	20,6	0,0900		35	180	18,4	21,4	0,0972	50	195	19,1	22,1	0,1026	60	205	19,5	22,5	0,1062	70	230	20,6	23,6	0,1152	80	280	22,8	25,8	0,1332	90	235	20,8	23,8	0,1170	110	255	21,7	24,7	0,1242	135	280	22																																																																																																																																																																																																																																																																																																																																																																																																																																																																																																																																																						
	-	30	12,5	14,2		0,0492		-	37		12,9		14,6	0,0523		-			57		13,8			15,5		0,0605			-		80			14,8	16,5				0,0697	-		105	15,9				18,9	0,0800	-	130	17				20	0,0902	10	155	17,4			20,4	0,0882	15	160	17,6	20,6	0,0900		35	180	18,4	21,4	0,0972	50	195	19,1	22,1	0,1026	60	205	19,5	22,5	0,1062	70	230	20,6	23,6	0,1152	80	280	22,8	25,8	0,1332	90	235	20,8	23,8	0,1170	110	255	21,7	24,7	0,1242	135	280	22,8	25,8	0,1332	225 x	180	235	27,1	30,1	0,1692	BFL	280		-	37	13,4	15,1	0,0587		BFL		-	-	9,8	11,5	0,0246				-	-	10,3	12	0,0287				-	-	10,8	12,5	0,0338				-	5	11,4	13,1	0,0390			-	20	12,1	13,8	0,0451		-	30	12,5	14,2	0,0492		-	37	12,9	14,6		0,0523		-	57		13,8		15,5	0,0605		-			80		14,8			16,5		0,0697			-		105			15,9	18,9				0,0800	-		130	17				20	0,0902	10	155	17,4			20,4	0,0882	15	160	17,6	20,6	0,0900		35	180	18,4	21,4	0,0972	50	195	19,1	22,1	0,1026	60	205	19,5	22,5	0,1062	70	230	20,6	23,6	0,1152	80	280	22,8	25,8	0,1332	90	235	20,8	23,8	0,1170	110	255	21,7	24,7	0,1242	135	280	22,8	25,8	0,1332	225 x	180	235	27,1	30,1	0,1692	BFL	280		-	57	14,4	16,1	0,0679		BFL		-	-	9,8	11,5	0,0246				-	-	10,3	12	0,0287				-	-	10,8	12,5	0,0338				-	5	11,4	13,1	0,0390			-	20	12,1	13,8	0,0451		-	30	12,5	14,2	0,0492	-	37	12,9		14,6	0,0523	-	57		13,8		15,5	0,0605		-		80	14,8		16,5			0,0697		-			105		15,9				18,9	0,0800					-	130		17	20					0,0902	10	155	17,4			20,4	0,0882	15	160	17,6	20,6	0,0900		35	180	18,4	21,4	0,0972	50	195	19,1	22,1	0,1026	60	205	19,5	22,5	0,1062	70	230	20,6	23,6	0,1152	80	280	22,8	25,8	0,1332	90	235	20,8	23,8	0,1170	110	255	21,7	24,7	0,1242	135	280	22,8	25,8	0,1332	225 x	180	235	27,1	30,1	0,1692	BFL	280		-	80	15,4	17,1	0,0782		BFL		-	-	9,8	11,5	0,0246				-	-	10,3	12	0,0287				-	-	10,8	12,5	0,0338				-	5	11,4	13,1	0,0390			-	20	12,1	13,8	0,0451		-	30	12,5	14,2	0,0492	-	37	12,9	14,6	0,0523	-		57	13,8	15,5	0,0605		-		80	14,8		16,5		0,0697	-		105			15,9		18,9				0,0800		-				130		17			20	0,0902					10	155		17,4			20,4	0,0882	15	160	17,6	20,6	0,0900		35	180	18,4	21,4	0,0972	50	195	19,1	22,1	0,1026	60	205	19,5	22,5	0,1062	70	230	20,6	23,6	0,1152	80	280	22,8	25,8	0,1332	90	235	20,8	23,8	0,1170	110	255	21,7	24,7	0,1242	135	280	22,8	25,8	0,1332	225 x	180	235	27,1	30,1	0,1692	BFL	280		-	105	16,6	19,6	0,0897		BFL		-	-	9,8	11,5	0,0246				-	-	10,3	12	0,0287				-	-	10,8	12,5	0,0338				-	5	11,4	13,1	0,0390			-	20	12,1	13,8	0,0451		-	30	12,5	14,2	0,0492	-	37	12,9	14,6	0,0523	-	57	13,8	15,5		0,0605	-	80	14,8		16,5		0,0697	-		105		15,9	18,9		0,0800			-			130			17			20				0,0902	10						155	17,4		20,4			0,0882	15		160	17,6	20,6	0,0900		35	180	18,4	21,4	0,0972	50	195	19,1	22,1	0,1026	60	205	19,5	22,5	0,1062	70	230	20,6	23,6	0,1152	80	280	22,8	25,8	0,1332	90	235	20,8	23,8	0,1170	110	255	21,7	24,7	0,1242	135	280	22,8	25,8	0,1332	225 x	180	235	27,1	30,1	0,1692	BFL	280		-	130	17,8	20,8	0,1012		BFL		-	-	9,8	11,5	0,0246				-	-	10,3	12	0,0287				-	-	10,8	12,5	0,0338				-	5	11,4	13,1	0,0390			-	20	12,1	13,8	0,0451		-	30	12,5	14,2	0,0492	-	37	12,9	14,6	0,0523	-	57	13,8	15,5	0,0605	-	80		14,8	16,5	0,0697	-		105		15,9	18,9		0,0800		-	130		17				20		0,0902					10		155						17,4	20,4			0,0882			15	160		17,6	20,6		0,0900		35	180	18,4	21,4	0,0972	50	195	19,1	22,1	0,1026	60	205	19,5	22,5	0,1062	70	230	20,6	23,6	0,1152	80	280	22,8	25,8	0,1332	90	235	20,8	23,8	0,1170	110	255	21,7	24,7	0,1242	135	280	22,8	25,8	0,1332	225 x	180	235	27,1	30,1	0,1692	BFL	280		-	155	18,9	21,9	0,1127		BFL		-	-	9,8	11,5	0,0246				-	-	10,3	12	0,0287				-	-	10,8	12,5	0,0338				-	5	11,4	13,1	0,0390			-	20	12,1	13,8	0,0451		-	30	12,5	14,2	0,0492	-	37	12,9	14,6	0,0523	-	57	13,8	15,5	0,0605	-	80	14,8	16,5	0,0697		-	105	15,9	18,9		0,0800		-	130		17		20	0,0902			10			155				17,4			20,4					0,0882			15	160			17,6			20,6	0,0900		35		180	18,4	21,4		0,0972	50	195	19,1	22,1	0,1026	60	205	19,5	22,5	0,1062	70	230	20,6	23,6	0,1152	80	280	22,8	25,8	0,1332	90	235	20,8	23,8	0,1170	110	255	21,7	24,7	0,1242	135	280	22																																																																																																																																																																																																																																																																																																																																																																																																																																																																																																																																																														
	-	37	12,9	14,6		0,0523		-	57		13,8		15,5	0,0605		-			80		14,8			16,5		0,0697			-		105			15,9	18,9				0,0800	-		130	17				20	0,0902	10	155	17,4			20,4	0,0882	15	160	17,6	20,6	0,0900		35	180	18,4	21,4	0,0972	50	195	19,1	22,1	0,1026	60	205	19,5	22,5	0,1062	70	230	20,6	23,6	0,1152	80	280	22,8	25,8	0,1332	90	235	20,8	23,8	0,1170	110	255	21,7	24,7	0,1242	135	280	22,8	25,8	0,1332	225 x	180	235	27,1	30,1	0,1692	BFL	280		-	37	13,4	15,1	0,0587		BFL		-	-	9,8	11,5	0,0246				-	-	10,3	12	0,0287				-	-	10,8	12,5	0,0338				-	5	11,4	13,1	0,0390				-	20	12,1	13,8	0,0451			-	30	12,5	14,2	0,0492		-	37	12,9	14,6	0,0523		-	57	13,8	15,5		0,0605		-	80		14,8		16,5	0,0697		-			105		15,9			18,9		0,0800			-		130			17	20				0,0902	10		155	17,4			20,4	0,0882	15	160	17,6	20,6	0,0900		35	180	18,4	21,4	0,0972	50	195	19,1	22,1	0,1026	60	205	19,5	22,5	0,1062	70	230	20,6	23,6	0,1152	80	280	22,8	25,8	0,1332	90	235	20,8	23,8	0,1170	110	255	21,7	24,7	0,1242	135	280	22,8	25,8	0,1332	225 x	180	235	27,1	30,1	0,1692	BFL	280		-	57	14,4	16,1	0,0679		BFL		-	-	9,8	11,5	0,0246				-	-	10,3	12	0,0287				-	-	10,8	12,5	0,0338				-	5	11,4	13,1	0,0390				-	20	12,1	13,8	0,0451			-	30	12,5	14,2	0,0492		-	37	12,9	14,6	0,0523	-	57	13,8		15,5	0,0605	-	80		14,8		16,5	0,0697		-		105	15,9		18,9			0,0800		-			130		17				20	0,0902					10	155		17,4	20,4			0,0882		15	160	17,6	20,6	0,0900		35	180	18,4	21,4	0,0972	50	195	19,1	22,1	0,1026	60	205	19,5	22,5	0,1062	70	230	20,6	23,6	0,1152	80	280	22,8	25,8	0,1332	90	235	20,8	23,8	0,1170	110	255	21,7	24,7	0,1242	135	280	22,8	25,8	0,1332	225 x	180	235	27,1	30,1	0,1692	BFL	280		-	80	15,4	17,1	0,0782		BFL		-	-	9,8	11,5	0,0246				-	-	10,3	12	0,0287				-	-	10,8	12,5	0,0338				-	5	11,4	13,1	0,0390				-	20	12,1	13,8	0,0451			-	30	12,5	14,2	0,0492		-	37	12,9	14,6	0,0523	-	57	13,8	15,5	0,0605	-		80	14,8	16,5	0,0697		-		105	15,9		18,9		0,0800	-		130			17		20				0,0902		10				155		17,4			20,4	0,0882			15		160	17,6		20,6	0,0900		35	180	18,4	21,4	0,0972	50	195	19,1	22,1	0,1026	60	205	19,5	22,5	0,1062	70	230	20,6	23,6	0,1152	80	280	22,8	25,8	0,1332	90	235	20,8	23,8	0,1170	110	255	21,7	24,7	0,1242	135	280	22,8	25,8	0,1332	225 x	180	235	27,1	30,1	0,1692	BFL	280		-	105	16,6	19,6	0,0897		BFL		-	-	9,8	11,5	0,0246				-	-	10,3	12	0,0287				-	-	10,8	12,5	0,0338				-	5	11,4	13,1	0,0390				-	20	12,1	13,8	0,0451			-	30	12,5	14,2	0,0492		-	37	12,9	14,6	0,0523	-	57	13,8	15,5	0,0605	-	80	14,8	16,5		0,0697	-	105	15,9		18,9		0,0800	-		130		17	20		0,0902			10			155			17,4			20,4				0,0882	15				160		17,6	20,6		0,0900	35		180	18,4		21,4	0,0972	50	195	19,1	22,1	0,1026	60	205	19,5	22,5	0,1062	70	230	20,6	23,6	0,1152	80	280	22,8	25,8	0,1332	90	235	20,8	23,8	0,1170	110	255	21,7	24,7	0,1242	135	280	22,8	25,8	0,1332	225 x	180	235	27,1	30,1	0,1692	BFL	280		-	130	17,8	20,8	0,1012		BFL		-	-	9,8	11,5	0,0246				-	-	10,3	12	0,0287				-	-	10,8	12,5	0,0338				-	5	11,4	13,1	0,0390				-	20	12,1	13,8	0,0451			-	30	12,5	14,2	0,0492		-	37	12,9	14,6	0,0523	-	57	13,8	15,5	0,0605	-	80	14,8	16,5	0,0697	-	105		15,9	18,9	0,0800	-		130		17	20		0,0902		10	155		17,4				20,4		0,0882					15		160					17,6	20,6	0,0900			35	180		18,4	21,4		0,0972	50		195	19,1	22,1	0,1026	60	205	19,5	22,5	0,1062	70	230	20,6	23,6	0,1152	80	280	22,8	25,8	0,1332	90	235	20,8	23,8	0,1170	110	255	21,7	24,7	0,1242	135	280	22,8	25,8	0,1332	225 x	180	235	27,1	30,1	0,1692	BFL	280		-	155	18,9	21,9	0,1127		BFL		-	-	9,8	11,5	0,0246				-	-	10,3	12	0,0287				-	-	10,8	12,5	0,0338				-	5	11,4	13,1	0,0390				-	20	12,1	13,8	0,0451			-	30	12,5	14,2	0,0492		-	37	12,9	14,6	0,0523	-	57	13,8	15,5	0,0605	-	80	14,8	16,5	0,0697	-	105	15,9	18,9	0,0800		-	130	17	20		0,0902		10	155		17,4		20,4	0,0882			15			160				17,6			20,6				0,0900	35			180	18,4	21,4		0,0972			50	195		19,1	22,1	0,1026	60	205		19,5	22,5	0,1062	70	230	20,6	23,6	0,1152	80	280	22,8	25,8	0,1332	90	235	20,8	23,8	0,1170	110	255	21,7	24,7	0,1242	135	280	22																																																																																																																																																																																																																																																																																																																																																																																																																																																																																																																																																																						
	-	57	13,8	15,5		0,0605		-	80		14,8		16,5	0,0697		-			105		15,9			18,9		0,0800			-		130			17	20				0,0902	10		155	17,4			20,4	0,0882	15	160	17,6	20,6	0,0900		35	180	18,4	21,4	0,0972	50	195	19,1	22,1	0,1026	60	205	19,5	22,5	0,1062	70	230	20,6	23,6	0,1152	80	280	22,8	25,8	0,1332	90	235	20,8	23,8	0,1170	110	255	21,7	24,7	0,1242	135	280	22,8	25,8	0,1332	225 x	180	235	27,1	30,1	0,1692	BFL	280		-	37	13,4	15,1	0,0587		BFL		-	-	9,8	11,5	0,0246				-	-	10,3	12	0,0287				-	-	10,8	12,5	0,0338				-	5	11,4	13,1	0,0390				-	20	12,1	13,8	0,0451				-	30	12,5	14,2	0,0492			-	37	12,9	14,6	0,0523		-	57	13,8	15,5	0,0605		-	80	14,8	16,5		0,0697		-	105		15,9		18,9	0,0800		-			130		17			20		0,0902			10		155			17,4	20,4			0,0882	15	160		17,6	20,6	0,0900		35	180	18,4	21,4	0,0972	50	195	19,1	22,1	0,1026	60	205	19,5	22,5	0,1062	70	230	20,6	23,6	0,1152	80	280	22,8	25,8	0,1332	90	235	20,8	23,8	0,1170	110	255	21,7	24,7	0,1242	135	280	22,8	25,8	0,1332	225 x	180	235	27,1	30,1	0,1692	BFL	280		-	57	14,4	16,1	0,0679		BFL		-	-	9,8	11,5	0,0246				-	-	10,3	12	0,0287				-	-	10,8	12,5	0,0338				-	5	11,4	13,1	0,0390				-	20	12,1	13,8	0,0451				-	30	12,5	14,2	0,0492			-	37	12,9	14,6	0,0523		-	57	13,8	15,5	0,0605	-	80	14,8		16,5	0,0697	-	105		15,9		18,9	0,0800		-		130	17		20			0,0902		10			155		17,4				20,4	0,0882				15	160	17,6		20,6	0,0900	35		180		18,4	21,4	0,0972	50	195	19,1	22,1	0,1026	60	205	19,5	22,5	0,1062	70	230	20,6	23,6	0,1152	80	280	22,8	25,8	0,1332	90	235	20,8	23,8	0,1170	110	255	21,7	24,7	0,1242	135	280	22,8	25,8	0,1332	225 x	180	235	27,1	30,1	0,1692	BFL	280		-	80	15,4	17,1	0,0782		BFL		-	-	9,8	11,5	0,0246				-	-	10,3	12	0,0287				-	-	10,8	12,5	0,0338				-	5	11,4	13,1	0,0390				-	20	12,1	13,8	0,0451				-	30	12,5	14,2	0,0492			-	37	12,9	14,6	0,0523		-	57	13,8	15,5	0,0605	-	80	14,8	16,5	0,0697	-		105	15,9	18,9	0,0800		-		130	17		20		0,0902	10		155			17,4		20,4				0,0882		15				160	17,6	20,6			0,0900	35	180		18,4		21,4	0,0972		50	195	19,1	22,1	0,1026	60	205	19,5	22,5	0,1062	70	230	20,6	23,6	0,1152	80	280	22,8	25,8	0,1332	90	235	20,8	23,8	0,1170	110	255	21,7	24,7	0,1242	135	280	22,8	25,8	0,1332	225 x	180	235	27,1	30,1	0,1692	BFL	280		-	105	16,6	19,6	0,0897		BFL		-	-	9,8	11,5	0,0246				-	-	10,3	12	0,0287				-	-	10,8	12,5	0,0338				-	5	11,4	13,1	0,0390				-	20	12,1	13,8	0,0451				-	30	12,5	14,2	0,0492			-	37	12,9	14,6	0,0523		-	57	13,8	15,5	0,0605	-	80	14,8	16,5	0,0697	-	105	15,9	18,9		0,0800	-	130	17		20		0,0902	10		155		17,4	20,4		0,0882			15			160			17,6			20,6	0,0900			35	180		18,4		21,4		0,0972	50		195	19,1	22,1	0,1026	60		205	19,5	22,5	0,1062	70	230	20,6	23,6	0,1152	80	280	22,8	25,8	0,1332	90	235	20,8	23,8	0,1170	110	255	21,7	24,7	0,1242	135	280	22,8	25,8	0,1332	225 x	180	235	27,1	30,1	0,1692	BFL	280		-	130	17,8	20,8	0,1012		BFL		-	-	9,8	11,5	0,0246				-	-	10,3	12	0,0287				-	-	10,8	12,5	0,0338				-	5	11,4	13,1	0,0390				-	20	12,1	13,8	0,0451				-	30	12,5	14,2	0,0492			-	37	12,9	14,6	0,0523		-	57	13,8	15,5	0,0605	-	80	14,8	16,5	0,0697	-	105	15,9	18,9	0,0800	-	130		17	20	0,0902	10		155		17,4	20,4		0,0882		15	160		17,6				20,6		0,0900				35	180		18,4			21,4		0,0972	50	195			19,1	22,1	0,1026	60	205		19,5	22,5		0,1062	70	230	20,6	23,6	0,1152	80	280	22,8	25,8	0,1332	90	235	20,8	23,8	0,1170	110	255	21,7	24,7	0,1242	135	280	22,8	25,8	0,1332	225 x	180	235	27,1	30,1	0,1692	BFL	280		-	155	18,9	21,9	0,1127		BFL		-	-	9,8	11,5	0,0246				-	-	10,3	12	0,0287				-	-	10,8	12,5	0,0338				-	5	11,4	13,1	0,0390				-	20	12,1	13,8	0,0451				-	30	12,5	14,2	0,0492			-	37	12,9	14,6	0,0523		-	57	13,8	15,5	0,0605	-	80	14,8	16,5	0,0697	-	105	15,9	18,9	0,0800	-	130	17	20	0,0902		10	155	17,4	20,4		0,0882		15	160		17,6		20,6	0,0900			35			180			18,4	21,4			0,0972		50		195	19,1			22,1	0,1026	60	205	19,5			22,5	0,1062		70	230	20,6	23,6	0,1152		80	280	22,8	25,8	0,1332	90	235	20,8	23,8	0,1170	110	255	21,7	24,7	0,1242	135	280	22																																																																																																																																																																																																																																																																																																																																																																																																																																																																																																																																																																														
	-	80	14,8	16,5		0,0697		-	105		15,9		18,9	0,0800		-			130		17			20		0,0902			10		155			17,4	20,4			0,0882	15	160		17,6	20,6	0,0900		35	180	18,4	21,4	0,0972	50	195	19,1	22,1	0,1026	60	205	19,5	22,5	0,1062	70	230	20,6	23,6	0,1152	80	280	22,8	25,8	0,1332	90	235	20,8	23,8	0,1170	110	255	21,7	24,7	0,1242	135	280	22,8	25,8	0,1332	225 x	180	235	27,1	30,1	0,1692	BFL	280		-	37	13,4	15,1	0,0587		BFL		-	-	9,8	11,5	0,0246				-	-	10,3	12	0,0287				-	-	10,8	12,5	0,0338				-	5	11,4	13,1	0,0390				-	20	12,1	13,8	0,0451				-	30	12,5	14,2	0,0492				-	37	12,9	14,6	0,0523			-	57	13,8	15,5	0,0605		-	80	14,8	16,5	0,0697		-	105	15,9	18,9		0,0800		-	130		17		20	0,0902		10			155		17,4			20,4		0,0882			15	160	17,6			20,6	0,0900	35		180	18,4	21,4		0,0972	50	195	19,1	22,1	0,1026	60	205	19,5	22,5	0,1062	70	230	20,6	23,6	0,1152	80	280	22,8	25,8	0,1332	90	235	20,8	23,8	0,1170	110	255	21,7	24,7	0,1242	135	280	22,8	25,8	0,1332	225 x	180	235	27,1	30,1	0,1692	BFL	280		-	57	14,4	16,1	0,0679		BFL		-	-	9,8	11,5	0,0246				-	-	10,3	12	0,0287				-	-	10,8	12,5	0,0338				-	5	11,4	13,1	0,0390				-	20	12,1	13,8	0,0451				-	30	12,5	14,2	0,0492				-	37	12,9	14,6	0,0523			-	57	13,8	15,5	0,0605		-	80	14,8	16,5	0,0697	-	105	15,9		18,9	0,0800	-	130		17		20	0,0902		10		155	17,4		20,4			0,0882		15			160		17,6	20,6			0,0900	35		180		18,4	21,4	0,0972		50	195	19,1	22,1	0,1026		60	205	19,5	22,5	0,1062	70	230	20,6	23,6	0,1152	80	280	22,8	25,8	0,1332	90	235	20,8	23,8	0,1170	110	255	21,7	24,7	0,1242	135	280	22,8	25,8	0,1332	225 x	180	235	27,1	30,1	0,1692	BFL	280		-	80	15,4	17,1	0,0782		BFL		-	-	9,8	11,5	0,0246				-	-	10,3	12	0,0287				-	-	10,8	12,5	0,0338				-	5	11,4	13,1	0,0390				-	20	12,1	13,8	0,0451				-	30	12,5	14,2	0,0492				-	37	12,9	14,6	0,0523			-	57	13,8	15,5	0,0605		-	80	14,8	16,5	0,0697	-	105	15,9	18,9	0,0800	-		130	17	20	0,0902		10		155	17,4		20,4		0,0882	15		160			17,6		20,6			0,0900	35		180			18,4	21,4	0,0972	50			195	19,1	22,1	0,1026	60		205	19,5		22,5	0,1062	70	230	20,6	23,6	0,1152	80	280	22,8	25,8	0,1332	90	235	20,8	23,8	0,1170	110	255	21,7	24,7	0,1242	135	280	22,8	25,8	0,1332	225 x	180	235	27,1	30,1	0,1692	BFL	280		-	105	16,6	19,6	0,0897		BFL		-	-	9,8	11,5	0,0246				-	-	10,3	12	0,0287				-	-	10,8	12,5	0,0338				-	5	11,4	13,1	0,0390				-	20	12,1	13,8	0,0451				-	30	12,5	14,2	0,0492				-	37	12,9	14,6	0,0523			-	57	13,8	15,5	0,0605		-	80	14,8	16,5	0,0697	-	105	15,9	18,9	0,0800	-	130	17	20		0,0902	10	155	17,4		20,4		0,0882	15		160		17,6	20,6		0,0900			35		180	18,4			21,4		0,0972	50	195			19,1	22,1		0,1026	60	205		19,5	22,5		0,1062	70	230	20,6	23,6		0,1152	80	280	22,8	25,8	0,1332	90	235	20,8	23,8	0,1170	110	255	21,7	24,7	0,1242	135	280	22,8	25,8	0,1332	225 x	180	235	27,1	30,1	0,1692	BFL	280		-	130	17,8	20,8	0,1012		BFL		-	-	9,8	11,5	0,0246				-	-	10,3	12	0,0287				-	-	10,8	12,5	0,0338				-	5	11,4	13,1	0,0390				-	20	12,1	13,8	0,0451				-	30	12,5	14,2	0,0492				-	37	12,9	14,6	0,0523			-	57	13,8	15,5	0,0605		-	80	14,8	16,5	0,0697	-	105	15,9	18,9	0,0800	-	130	17	20	0,0902	10	155		17,4	20,4	0,0882	15		160		17,6	20,6		0,0900		35	180		18,4		21,4		0,0972		50		195		19,1	22,1		0,1026			60	205	19,5	22,5	0,1062			70	230	20,6	23,6	0,1152		80	280		22,8	25,8	0,1332	90	235	20,8	23,8	0,1170	110	255	21,7	24,7	0,1242	135	280	22,8	25,8	0,1332	225 x	180	235	27,1	30,1	0,1692	BFL	280		-	155	18,9	21,9	0,1127		BFL		-	-	9,8	11,5	0,0246				-	-	10,3	12	0,0287				-	-	10,8	12,5	0,0338				-	5	11,4	13,1	0,0390				-	20	12,1	13,8	0,0451				-	30	12,5	14,2	0,0492				-	37	12,9	14,6	0,0523			-	57	13,8	15,5	0,0605		-	80	14,8	16,5	0,0697	-	105	15,9	18,9	0,0800	-	130	17	20	0,0902	10	155	17,4	20,4	0,0882		15	160	17,6	20,6		0,0900		35	180		18,4		21,4	0,0972	50		195			19,1	22,1		0,1026	60			205		19,5	22,5	0,1062	70			230	20,6	23,6	0,1152	80			280	22,8		25,8	0,1332	90	235	20,8		23,8	0,1170	110	255	21,7	24,7	0,1242	135	280	22																																																																																																																																																																																																																																																																																																																																																																																																																																																																																																																																																																																						
	-	105	15,9	18,9		0,0800		-	130		17		20	0,0902		10			155		17,4			20,4		0,0882			15	160	17,6			20,6	0,0900	35		180	18,4	21,4		0,0972	50	195	19,1	22,1	0,1026	60	205	19,5	22,5	0,1062	70	230	20,6	23,6	0,1152	80	280	22,8	25,8	0,1332	90	235	20,8	23,8	0,1170	110	255	21,7	24,7	0,1242	135	280	22,8	25,8	0,1332	225 x	180	235	27,1	30,1	0,1692	BFL	280		-	37	13,4	15,1	0,0587		BFL		-	-	9,8	11,5	0,0246				-	-	10,3	12	0,0287				-	-	10,8	12,5	0,0338				-	5	11,4	13,1	0,0390				-	20	12,1	13,8	0,0451				-	30	12,5	14,2	0,0492				-	37	12,9	14,6	0,0523				-	57	13,8	15,5	0,0605			-	80	14,8	16,5	0,0697		-	105	15,9	18,9	0,0800		-	130	17	20		0,0902		10	155		17,4		20,4	0,0882		15			160		17,6			20,6	0,0900	35			180	18,4	21,4	0,0972		50	195	19,1		22,1	0,1026	60	205	19,5	22,5	0,1062	70	230	20,6	23,6	0,1152	80	280	22,8	25,8	0,1332	90	235	20,8	23,8	0,1170	110	255	21,7	24,7	0,1242	135	280	22,8	25,8	0,1332	225 x	180	235	27,1	30,1	0,1692	BFL	280		-	57	14,4	16,1	0,0679		BFL		-	-	9,8	11,5	0,0246				-	-	10,3	12	0,0287				-	-	10,8	12,5	0,0338				-	5	11,4	13,1	0,0390				-	20	12,1	13,8	0,0451				-	30	12,5	14,2	0,0492				-	37	12,9	14,6	0,0523				-	57	13,8	15,5	0,0605			-	80	14,8	16,5	0,0697		-	105	15,9	18,9	0,0800	-	130	17		20	0,0902	10	155		17,4		20,4	0,0882		15		160	17,6		20,6			0,0900		35			180	18,4	21,4	0,0972			50	195	19,1	22,1		0,1026	60	205		19,5	22,5	0,1062	70	230	20,6	23,6	0,1152	80	280	22,8	25,8	0,1332	90	235	20,8	23,8	0,1170	110	255	21,7	24,7	0,1242	135	280	22,8	25,8	0,1332	225 x	180	235	27,1	30,1	0,1692	BFL	280		-	80	15,4	17,1	0,0782		BFL		-	-	9,8	11,5	0,0246				-	-	10,3	12	0,0287				-	-	10,8	12,5	0,0338				-	5	11,4	13,1	0,0390				-	20	12,1	13,8	0,0451				-	30	12,5	14,2	0,0492				-	37	12,9	14,6	0,0523				-	57	13,8	15,5	0,0605			-	80	14,8	16,5	0,0697		-	105	15,9	18,9	0,0800	-	130	17	20	0,0902	10		155	17,4	20,4	0,0882		15		160	17,6		20,6		0,0900	35		180			18,4		21,4			0,0972	50	195	19,1			22,1	0,1026	60	205	19,5		22,5	0,1062	70	230	20,6		23,6	0,1152	80	280	22,8	25,8	0,1332	90	235	20,8	23,8	0,1170	110	255	21,7	24,7	0,1242	135	280	22,8	25,8	0,1332	225 x	180	235	27,1	30,1	0,1692	BFL	280		-	105	16,6	19,6	0,0897		BFL		-	-	9,8	11,5	0,0246				-	-	10,3	12	0,0287				-	-	10,8	12,5	0,0338				-	5	11,4	13,1	0,0390				-	20	12,1	13,8	0,0451				-	30	12,5	14,2	0,0492				-	37	12,9	14,6	0,0523				-	57	13,8	15,5	0,0605			-	80	14,8	16,5	0,0697		-	105	15,9	18,9	0,0800	-	130	17	20	0,0902	10	155	17,4	20,4		0,0882	15	160	17,6		20,6		0,0900	35		180		18,4	21,4		0,0972			50		195	19,1			22,1	0,1026	60	205	19,5			22,5	0,1062	70	230	20,6	23,6		0,1152	80		280	22,8	25,8	0,1332	90	235	20,8	23,8	0,1170	110	255	21,7	24,7	0,1242	135	280	22,8	25,8	0,1332	225 x	180	235	27,1	30,1	0,1692	BFL	280		-	130	17,8	20,8	0,1012		BFL		-	-	9,8	11,5	0,0246				-	-	10,3	12	0,0287				-	-	10,8	12,5	0,0338				-	5	11,4	13,1	0,0390				-	20	12,1	13,8	0,0451				-	30	12,5	14,2	0,0492				-	37	12,9	14,6	0,0523				-	57	13,8	15,5	0,0605			-	80	14,8	16,5	0,0697		-	105	15,9	18,9	0,0800	-	130	17	20	0,0902	10	155	17,4	20,4	0,0882	15	160		17,6	20,6	0,0900	35		180		18,4	21,4		0,0972		50	195		19,1		22,1		0,1026		60		205		19,5	22,5	0,1062	70			230	20,6	23,6	0,1152	80	280		22,8	25,8	0,1332	90	235		20,8	23,8	0,1170	110	255	21,7	24,7	0,1242	135	280	22,8	25,8	0,1332	225 x	180	235	27,1	30,1	0,1692	BFL	280		-	155	18,9	21,9	0,1127		BFL		-	-	9,8	11,5	0,0246				-	-	10,3	12	0,0287				-	-	10,8	12,5	0,0338				-	5	11,4	13,1	0,0390				-	20	12,1	13,8	0,0451				-	30	12,5	14,2	0,0492				-	37	12,9	14,6	0,0523				-	57	13,8	15,5	0,0605			-	80	14,8	16,5	0,0697		-	105	15,9	18,9	0,0800	-	130	17	20	0,0902	10	155	17,4	20,4	0,0882	15	160	17,6	20,6	0,0900		35	180	18,4	21,4		0,0972		50	195		19,1		22,1	0,1026	60		205			19,5	22,5		0,1062	70			230	20,6	23,6	0,1152	80	280			22,8	25,8	0,1332	90	235	20,8		23,8	0,1170		110	255	21,7	24,7	0,1242	135	280	22																																																																																																																																																																																																																																																																																																																																																																																																																																																																																																																																																																																														
	-	130	17	20		0,0902		10	155		17,4		20,4	0,0882		15			160		17,6			20,6	0,0900	35			180	18,4	21,4	0,0972		50	195	19,1		22,1	0,1026	60	205	19,5	22,5	0,1062	70	230	20,6	23,6	0,1152	80	280	22,8	25,8	0,1332	90	235	20,8	23,8	0,1170	110	255	21,7	24,7	0,1242	135	280	22,8	25,8	0,1332	225 x	180	235	27,1	30,1	0,1692	BFL	280		-	37	13,4	15,1	0,0587		BFL		-	-	9,8	11,5	0,0246				-	-	10,3	12	0,0287				-	-	10,8	12,5	0,0338				-	5	11,4	13,1	0,0390				-	20	12,1	13,8	0,0451				-	30	12,5	14,2	0,0492				-	37	12,9	14,6	0,0523				-	57	13,8	15,5	0,0605				-	80	14,8	16,5	0,0697			-	105	15,9	18,9	0,0800		-	130	17	20	0,0902		10	155	17,4	20,4		0,0882		15	160		17,6		20,6	0,0900		35			180	18,4	21,4			0,0972	50	195	19,1		22,1	0,1026	60	205		19,5	22,5	0,1062	70	230	20,6	23,6	0,1152	80	280	22,8	25,8	0,1332	90	235	20,8	23,8	0,1170	110	255	21,7	24,7	0,1242	135	280	22,8	25,8	0,1332	225 x	180	235	27,1	30,1	0,1692	BFL	280		-	57	14,4	16,1	0,0679		BFL		-	-	9,8	11,5	0,0246				-	-	10,3	12	0,0287				-	-	10,8	12,5	0,0338				-	5	11,4	13,1	0,0390				-	20	12,1	13,8	0,0451				-	30	12,5	14,2	0,0492				-	37	12,9	14,6	0,0523				-	57	13,8	15,5	0,0605				-	80	14,8	16,5	0,0697			-	105	15,9	18,9	0,0800		-	130	17	20	0,0902	10	155	17,4		20,4	0,0882	15	160		17,6		20,6	0,0900		35		180	18,4		21,4			0,0972	50	195			19,1	22,1	0,1026	60	205		19,5	22,5	0,1062	70		230	20,6	23,6	0,1152	80	280	22,8	25,8	0,1332	90	235	20,8	23,8	0,1170	110	255	21,7	24,7	0,1242	135	280	22,8	25,8	0,1332	225 x	180	235	27,1	30,1	0,1692	BFL	280		-	80	15,4	17,1	0,0782		BFL		-	-	9,8	11,5	0,0246				-	-	10,3	12	0,0287				-	-	10,8	12,5	0,0338				-	5	11,4	13,1	0,0390				-	20	12,1	13,8	0,0451				-	30	12,5	14,2	0,0492				-	37	12,9	14,6	0,0523				-	57	13,8	15,5	0,0605				-	80	14,8	16,5	0,0697			-	105	15,9	18,9	0,0800		-	130	17	20	0,0902	10	155	17,4	20,4	0,0882	15		160	17,6	20,6	0,0900		35		180	18,4		21,4		0,0972	50		195			19,1	22,1	0,1026			60	205	19,5	22,5	0,1062		70	230	20,6	23,6	0,1152		80	280	22,8	25,8	0,1332	90	235	20,8	23,8	0,1170	110	255	21,7	24,7	0,1242	135	280	22,8	25,8	0,1332	225 x	180	235	27,1	30,1	0,1692	BFL	280		-	105	16,6	19,6	0,0897		BFL		-	-	9,8	11,5	0,0246				-	-	10,3	12	0,0287				-	-	10,8	12,5	0,0338				-	5	11,4	13,1	0,0390				-	20	12,1	13,8	0,0451				-	30	12,5	14,2	0,0492				-	37	12,9	14,6	0,0523				-	57	13,8	15,5	0,0605				-	80	14,8	16,5	0,0697			-	105	15,9	18,9	0,0800		-	130	17	20	0,0902	10	155	17,4	20,4	0,0882	15	160	17,6	20,6		0,0900	35	180	18,4		21,4		0,0972	50		195		19,1	22,1		0,1026			60	205	19,5	22,5			0,1062	70	230	20,6	23,6	0,1152		80	280	22,8	25,8	0,1332	90		235	20,8	23,8	0,1170	110	255	21,7	24,7	0,1242	135	280	22,8	25,8	0,1332	225 x	180	235	27,1	30,1	0,1692	BFL	280		-	130	17,8	20,8	0,1012		BFL		-	-	9,8	11,5	0,0246				-	-	10,3	12	0,0287				-	-	10,8	12,5	0,0338				-	5	11,4	13,1	0,0390				-	20	12,1	13,8	0,0451				-	30	12,5	14,2	0,0492				-	37	12,9	14,6	0,0523				-	57	13,8	15,5	0,0605				-	80	14,8	16,5	0,0697			-	105	15,9	18,9	0,0800		-	130	17	20	0,0902	10	155	17,4	20,4	0,0882	15	160	17,6	20,6	0,0900	35	180		18,4	21,4	0,0972	50		195		19,1	22,1		0,1026		60	205		19,5		22,5		0,1062	70	230		20,6		23,6	0,1152	80	280	22,8		25,8	0,1332	90	235	20,8	23,8		0,1170	110	255	21,7	24,7	0,1242	135	280	22,8	25,8	0,1332	225 x	180	235	27,1	30,1	0,1692	BFL	280		-	155	18,9	21,9	0,1127		BFL		-	-	9,8	11,5	0,0246				-	-	10,3	12	0,0287				-	-	10,8	12,5	0,0338				-	5	11,4	13,1	0,0390				-	20	12,1	13,8	0,0451				-	30	12,5	14,2	0,0492				-	37	12,9	14,6	0,0523				-	57	13,8	15,5	0,0605				-	80	14,8	16,5	0,0697			-	105	15,9	18,9	0,0800		-	130	17	20	0,0902	10	155	17,4	20,4	0,0882	15	160	17,6	20,6	0,0900	35	180	18,4	21,4	0,0972		50	195	19,1	22,1		0,1026		60	205		19,5		22,5	0,1062	70		230			20,6	23,6	0,1152	80	280			22,8	25,8	0,1332	90	235	20,8	23,8		0,1170	110	255	21,7	24,7	0,1242		135	280	22																																																																																																																																																																																																																																																																																																																																																																																																																																																																																																																																																																																																						
	10	155	17,4	20,4		0,0882		15	160		17,6		20,6	0,0900		35			180	18,4	21,4			0,0972	50	195	19,1		22,1	0,1026	60	205		19,5	22,5	0,1062	70	230	20,6	23,6	0,1152	80	280	22,8	25,8	0,1332	90	235	20,8	23,8	0,1170	110	255	21,7	24,7	0,1242	135	280	22,8	25,8	0,1332	225 x	180	235	27,1	30,1	0,1692	BFL	280		-	37	13,4	15,1	0,0587		BFL		-	-	9,8	11,5	0,0246				-	-	10,3	12	0,0287				-	-	10,8	12,5	0,0338				-	5	11,4	13,1	0,0390				-	20	12,1	13,8	0,0451				-	30	12,5	14,2	0,0492				-	37	12,9	14,6	0,0523				-	57	13,8	15,5	0,0605				-	80	14,8	16,5	0,0697				-	105	15,9	18,9	0,0800			-	130	17	20	0,0902		10	155	17,4	20,4	0,0882		15	160	17,6	20,6		0,0900		35	180		18,4		21,4	0,0972	50	195			19,1	22,1	0,1026	60		205	19,5	22,5	0,1062		70	230	20,6	23,6	0,1152	80	280	22,8	25,8	0,1332	90	235	20,8	23,8	0,1170	110	255	21,7	24,7	0,1242	135	280	22,8	25,8	0,1332	225 x	180	235	27,1	30,1	0,1692	BFL	280		-	57	14,4	16,1	0,0679		BFL		-	-	9,8	11,5	0,0246				-	-	10,3	12	0,0287				-	-	10,8	12,5	0,0338				-	5	11,4	13,1	0,0390				-	20	12,1	13,8	0,0451				-	30	12,5	14,2	0,0492				-	37	12,9	14,6	0,0523				-	57	13,8	15,5	0,0605				-	80	14,8	16,5	0,0697				-	105	15,9	18,9	0,0800			-	130	17	20	0,0902		10	155	17,4	20,4	0,0882	15	160	17,6		20,6	0,0900	35	180		18,4		21,4	0,0972		50		195	19,1	22,1	0,1026			60	205	19,5	22,5		0,1062	70	230	20,6	23,6		0,1152	80	280	22,8	25,8	0,1332	90	235	20,8	23,8	0,1170	110	255	21,7	24,7	0,1242	135	280	22,8	25,8	0,1332	225 x	180	235	27,1	30,1	0,1692	BFL	280		-	80	15,4	17,1	0,0782		BFL		-	-	9,8	11,5	0,0246				-	-	10,3	12	0,0287				-	-	10,8	12,5	0,0338				-	5	11,4	13,1	0,0390				-	20	12,1	13,8	0,0451				-	30	12,5	14,2	0,0492				-	37	12,9	14,6	0,0523				-	57	13,8	15,5	0,0605				-	80	14,8	16,5	0,0697				-	105	15,9	18,9	0,0800			-	130	17	20	0,0902		10	155	17,4	20,4	0,0882	15	160	17,6	20,6	0,0900	35		180	18,4	21,4	0,0972		50		195	19,1		22,1		0,1026	60	205	19,5			22,5	0,1062	70	230		20,6	23,6	0,1152	80	280		22,8	25,8	0,1332	90	235	20,8	23,8	0,1170	110	255	21,7	24,7	0,1242	135	280	22,8	25,8	0,1332	225 x	180	235	27,1	30,1	0,1692	BFL	280		-	105	16,6	19,6	0,0897		BFL		-	-	9,8	11,5	0,0246				-	-	10,3	12	0,0287				-	-	10,8	12,5	0,0338				-	5	11,4	13,1	0,0390				-	20	12,1	13,8	0,0451				-	30	12,5	14,2	0,0492				-	37	12,9	14,6	0,0523				-	57	13,8	15,5	0,0605				-	80	14,8	16,5	0,0697				-	105	15,9	18,9	0,0800			-	130	17	20	0,0902		10	155	17,4	20,4	0,0882	15	160	17,6	20,6	0,0900	35	180	18,4	21,4		0,0972	50	195	19,1		22,1		0,1026	60		205		19,5	22,5	0,1062	70			230	20,6	23,6	0,1152	80		280	22,8	25,8	0,1332	90	235		20,8	23,8	0,1170	110	255	21,7	24,7	0,1242	135	280	22,8	25,8	0,1332	225 x	180	235	27,1	30,1	0,1692	BFL	280		-	130	17,8	20,8	0,1012		BFL		-	-	9,8	11,5	0,0246				-	-	10,3	12	0,0287				-	-	10,8	12,5	0,0338				-	5	11,4	13,1	0,0390				-	20	12,1	13,8	0,0451				-	30	12,5	14,2	0,0492				-	37	12,9	14,6	0,0523				-	57	13,8	15,5	0,0605				-	80	14,8	16,5	0,0697				-	105	15,9	18,9	0,0800			-	130	17	20	0,0902		10	155	17,4	20,4	0,0882	15	160	17,6	20,6	0,0900	35	180	18,4	21,4	0,0972	50	195		19,1	22,1	0,1026	60		205		19,5	22,5		0,1062		70	230	20,6	23,6		0,1152		80	280	22,8	25,8	0,1332		90	235	20,8	23,8	0,1170		110	255	21,7	24,7	0,1242	135	280	22,8	25,8	0,1332	225 x	180	235	27,1	30,1	0,1692	BFL	280		-	155	18,9	21,9	0,1127		BFL		-	-	9,8	11,5	0,0246				-	-	10,3	12	0,0287				-	-	10,8	12,5	0,0338				-	5	11,4	13,1	0,0390				-	20	12,1	13,8	0,0451				-	30	12,5	14,2	0,0492				-	37	12,9	14,6	0,0523				-	57	13,8	15,5	0,0605				-	80	14,8	16,5	0,0697				-	105	15,9	18,9	0,0800			-	130	17	20	0,0902		10	155	17,4	20,4	0,0882	15	160	17,6	20,6	0,0900	35	180	18,4	21,4	0,0972	50	195	19,1	22,1	0,1026		60	205	19,5	22,5		0,1062		70	230		20,6		23,6	0,1152	80	280	22,8			25,8	0,1332	90	235	20,8	23,8		0,1170	110	255	21,7	24,7	0,1242	135		280	22																																																																																																																																																																																																																																																																																																																																																																																																																																																																																																																																																																																																														
	15	160	17,6	20,6		0,0900		35	180		18,4		21,4	0,0972	50	195			19,1	22,1	0,1026	60		205	19,5	22,5	0,1062		70	230	20,6	23,6	0,1152	80	280	22,8	25,8	0,1332	90	235	20,8	23,8	0,1170	110	255	21,7	24,7	0,1242	135	280	22,8	25,8	0,1332	225 x	180	235	27,1	30,1	0,1692	BFL	280		-	37	13,4	15,1	0,0587		BFL		-	-	9,8	11,5	0,0246				-	-	10,3	12	0,0287				-	-	10,8	12,5	0,0338				-	5	11,4	13,1	0,0390				-	20	12,1	13,8	0,0451				-	30	12,5	14,2	0,0492				-	37	12,9	14,6	0,0523				-	57	13,8	15,5	0,0605				-	80	14,8	16,5	0,0697				-	105	15,9	18,9	0,0800				-	130	17	20	0,0902			10	155	17,4	20,4	0,0882		15	160	17,6	20,6	0,0900		35	180	18,4	21,4		0,0972		50	195	19,1	22,1		0,1026	60	205	19,5	22,5		0,1062	70	230	20,6		23,6	0,1152	80	280	22,8	25,8	0,1332	90	235	20,8	23,8	0,1170	110	255	21,7	24,7	0,1242	135	280	22,8	25,8	0,1332	225 x	180	235	27,1	30,1	0,1692	BFL	280		-	57	14,4	16,1	0,0679		BFL		-	-	9,8	11,5	0,0246				-	-	10,3	12	0,0287				-	-	10,8	12,5	0,0338				-	5	11,4	13,1	0,0390				-	20	12,1	13,8	0,0451				-	30	12,5	14,2	0,0492				-	37	12,9	14,6	0,0523				-	57	13,8	15,5	0,0605				-	80	14,8	16,5	0,0697				-	105	15,9	18,9	0,0800				-	130	17	20	0,0902			10	155	17,4	20,4	0,0882		15	160	17,6	20,6	0,0900	35	180	18,4		21,4	0,0972	50	195		19,1		22,1	0,1026	60	205		19,5	22,5	0,1062	70	230		20,6	23,6	0,1152	80		280	22,8	25,8	0,1332	90	235	20,8	23,8	0,1170	110	255	21,7	24,7	0,1242	135	280	22,8	25,8	0,1332	225 x	180	235	27,1	30,1	0,1692	BFL	280		-	80	15,4	17,1	0,0782		BFL		-	-	9,8	11,5	0,0246				-	-	10,3	12	0,0287				-	-	10,8	12,5	0,0338				-	5	11,4	13,1	0,0390				-	20	12,1	13,8	0,0451				-	30	12,5	14,2	0,0492				-	37	12,9	14,6	0,0523				-	57	13,8	15,5	0,0605				-	80	14,8	16,5	0,0697				-	105	15,9	18,9	0,0800				-	130	17	20	0,0902			10	155	17,4	20,4	0,0882		15	160	17,6	20,6	0,0900	35	180	18,4	21,4	0,0972	50		195	19,1	22,1	0,1026		60		205	19,5	22,5	0,1062		70	230	20,6	23,6	0,1152		80	280	22,8	25,8		0,1332	90	235	20,8	23,8	0,1170	110	255	21,7	24,7	0,1242	135	280	22,8	25,8	0,1332	225 x	180	235	27,1	30,1	0,1692	BFL	280		-	105	16,6	19,6	0,0897		BFL		-	-	9,8	11,5	0,0246				-	-	10,3	12	0,0287				-	-	10,8	12,5	0,0338				-	5	11,4	13,1	0,0390				-	20	12,1	13,8	0,0451				-	30	12,5	14,2	0,0492				-	37	12,9	14,6	0,0523				-	57	13,8	15,5	0,0605				-	80	14,8	16,5	0,0697				-	105	15,9	18,9	0,0800				-	130	17	20	0,0902			10	155	17,4	20,4	0,0882		15	160	17,6	20,6	0,0900	35	180	18,4	21,4	0,0972	50	195	19,1	22,1		0,1026	60	205	19,5		22,5		0,1062	70	230	20,6		23,6	0,1152	80	280	22,8		25,8	0,1332	90	235	20,8		23,8	0,1170	110	255	21,7	24,7	0,1242	135	280	22,8	25,8	0,1332	225 x	180	235	27,1	30,1	0,1692	BFL	280		-	130	17,8	20,8	0,1012		BFL		-	-	9,8	11,5	0,0246				-	-	10,3	12	0,0287				-	-	10,8	12,5	0,0338				-	5	11,4	13,1	0,0390				-	20	12,1	13,8	0,0451				-	30	12,5	14,2	0,0492				-	37	12,9	14,6	0,0523				-	57	13,8	15,5	0,0605				-	80	14,8	16,5	0,0697				-	105	15,9	18,9	0,0800				-	130	17	20	0,0902			10	155	17,4	20,4	0,0882		15	160	17,6	20,6	0,0900	35	180	18,4	21,4	0,0972	50	195	19,1	22,1	0,1026	60	205		19,5	22,5	0,1062	70		230		20,6	23,6	0,1152	80		280	22,8	25,8	0,1332	90	235		20,8	23,8	0,1170	110	255		21,7	24,7	0,1242	135	280	22,8	25,8	0,1332	225 x	180	235	27,1	30,1	0,1692	BFL	280		-	155	18,9	21,9	0,1127		BFL		-	-	9,8	11,5	0,0246				-	-	10,3	12	0,0287				-	-	10,8	12,5	0,0338				-	5	11,4	13,1	0,0390				-	20	12,1	13,8	0,0451				-	30	12,5	14,2	0,0492				-	37	12,9	14,6	0,0523				-	57	13,8	15,5	0,0605				-	80	14,8	16,5	0,0697				-	105	15,9	18,9	0,0800				-	130	17	20	0,0902			10	155	17,4	20,4	0,0882		15	160	17,6	20,6	0,0900	35	180	18,4	21,4	0,0972	50	195	19,1	22,1	0,1026	60	205	19,5	22,5	0,1062		70	230	20,6	23,6		0,1152		80	280	22,8	25,8		0,1332	90	235	20,8	23,8	0,1170		110	255	21,7	24,7	0,1242	135		280	22																																																																																																																																																																																																																																																																																																																																																																																																																																																																																																																																																																																																																						
	35	180	18,4	21,4		0,0972		50	195	19,1	22,1		0,1026	60	205	19,5	22,5		0,1062	70	230	20,6		23,6	0,1152	80	280	22,8	25,8	0,1332	90	235	20,8	23,8	0,1170	110	255	21,7	24,7	0,1242	135	280	22,8	25,8	0,1332	225 x	180	235	27,1	30,1	0,1692	BFL	280		-	37	13,4	15,1	0,0587		BFL		-	-	9,8	11,5	0,0246				-	-	10,3	12	0,0287				-	-	10,8	12,5	0,0338				-	5	11,4	13,1	0,0390				-	20	12,1	13,8	0,0451				-	30	12,5	14,2	0,0492				-	37	12,9	14,6	0,0523				-	57	13,8	15,5	0,0605				-	80	14,8	16,5	0,0697				-	105	15,9	18,9	0,0800				-	130	17	20	0,0902				10	155	17,4	20,4	0,0882			15	160	17,6	20,6	0,0900		35	180	18,4	21,4	0,0972		50	195	19,1	22,1	0,1026	60		205	19,5	22,5	0,1062	70	230	20,6	23,6	0,1152	80		280	22,8	25,8	0,1332	90	235	20,8	23,8	0,1170	110	255	21,7	24,7	0,1242	135	280	22,8	25,8	0,1332	225 x	180	235	27,1	30,1	0,1692	BFL	280		-	57	14,4	16,1	0,0679		BFL		-	-	9,8	11,5	0,0246				-	-	10,3	12	0,0287				-	-	10,8	12,5	0,0338				-	5	11,4	13,1	0,0390				-	20	12,1	13,8	0,0451				-	30	12,5	14,2	0,0492				-	37	12,9	14,6	0,0523				-	57	13,8	15,5	0,0605				-	80	14,8	16,5	0,0697				-	105	15,9	18,9	0,0800				-	130	17	20	0,0902				10	155	17,4	20,4	0,0882			15	160	17,6	20,6	0,0900		35	180	18,4	21,4	0,0972	50	195	19,1		22,1	0,1026	60	205	19,5	22,5		0,1062	70	230	20,6	23,6	0,1152	80	280	22,8	25,8		0,1332	90	235	20,8	23,8	0,1170	110	255	21,7	24,7	0,1242	135	280	22,8	25,8	0,1332	225 x	180	235	27,1	30,1	0,1692	BFL	280		-	80	15,4	17,1	0,0782		BFL		-	-	9,8	11,5	0,0246				-	-	10,3	12	0,0287				-	-	10,8	12,5	0,0338				-	5	11,4	13,1	0,0390				-	20	12,1	13,8	0,0451				-	30	12,5	14,2	0,0492				-	37	12,9	14,6	0,0523				-	57	13,8	15,5	0,0605				-	80	14,8	16,5	0,0697				-	105	15,9	18,9	0,0800				-	130	17	20	0,0902				10	155	17,4	20,4	0,0882			15	160	17,6	20,6	0,0900		35	180	18,4	21,4	0,0972	50	195	19,1	22,1	0,1026	60		205	19,5	22,5	0,1062	70	230		20,6	23,6	0,1152	80	280	22,8	25,8	0,1332	90	235		20,8	23,8	0,1170	110	255	21,7	24,7	0,1242	135	280	22,8	25,8	0,1332	225 x	180	235	27,1	30,1	0,1692	BFL	280		-	105	16,6	19,6	0,0897		BFL		-	-	9,8	11,5	0,0246				-	-	10,3	12	0,0287				-	-	10,8	12,5	0,0338				-	5	11,4	13,1	0,0390				-	20	12,1	13,8	0,0451				-	30	12,5	14,2	0,0492				-	37	12,9	14,6	0,0523				-	57	13,8	15,5	0,0605				-	80	14,8	16,5	0,0697				-	105	15,9	18,9	0,0800				-	130	17	20	0,0902				10	155	17,4	20,4	0,0882			15	160	17,6	20,6	0,0900		35	180	18,4	21,4	0,0972	50	195	19,1	22,1	0,1026	60	205	19,5	22,5		0,1062	70	230	20,6	23,6	0,1152		80	280	22,8	25,8	0,1332	90	235	20,8	23,8	0,1170		110	255	21,7	24,7	0,1242	135	280	22,8	25,8	0,1332	225 x	180	235	27,1	30,1	0,1692	BFL	280		-	130	17,8	20,8	0,1012		BFL		-	-	9,8	11,5	0,0246				-	-	10,3	12	0,0287				-	-	10,8	12,5	0,0338				-	5	11,4	13,1	0,0390				-	20	12,1	13,8	0,0451				-	30	12,5	14,2	0,0492				-	37	12,9	14,6	0,0523				-	57	13,8	15,5	0,0605				-	80	14,8	16,5	0,0697				-	105	15,9	18,9	0,0800				-	130	17	20	0,0902				10	155	17,4	20,4	0,0882			15	160	17,6	20,6	0,0900		35	180	18,4	21,4	0,0972	50	195	19,1	22,1	0,1026	60	205	19,5	22,5	0,1062	70	230		20,6	23,6	0,1152	80	280	22,8		25,8	0,1332	90	235	20,8	23,8	0,1170	110	255	21,7	24,7		0,1242	135	280	22,8	25,8	0,1332	225 x	180	235	27,1	30,1	0,1692	BFL	280		-	155	18,9	21,9	0,1127		BFL		-	-	9,8	11,5	0,0246				-	-	10,3	12	0,0287				-	-	10,8	12,5	0,0338				-	5	11,4	13,1	0,0390				-	20	12,1	13,8	0,0451				-	30	12,5	14,2	0,0492				-	37	12,9	14,6	0,0523				-	57	13,8	15,5	0,0605				-	80	14,8	16,5	0,0697				-	105	15,9	18,9	0,0800				-	130	17	20	0,0902				10	155	17,4	20,4	0,0882			15	160	17,6	20,6	0,0900		35	180	18,4	21,4	0,0972	50	195	19,1	22,1	0,1026	60	205	19,5	22,5	0,1062	70	230	20,6	23,6	0,1152		80	280	22,8	25,8	0,1332	90		235	20,8	23,8	0,1170	110	255	21,7	24,7	0,1242	135	280		22																																																																																																																																																																																																																																																																																																																																																																																																																																																																																																																																																																																																																														
	50	195	19,1	22,1	0,1026	60		205	19,5	22,5	0,1062	70	230	20,6	23,6	0,1152	80		280	22,8	25,8	0,1332	90	235	20,8	23,8	0,1170	110	255	21,7	24,7	0,1242	135	280	22,8	25,8	0,1332	225 x	180	235	27,1	30,1	0,1692	BFL	280		-	37	13,4	15,1	0,0587		BFL		-	-	9,8	11,5	0,0246				-	-	10,3	12	0,0287				-	-	10,8	12,5	0,0338				-	5	11,4	13,1	0,0390				-	20	12,1	13,8	0,0451				-	30	12,5	14,2	0,0492				-	37	12,9	14,6	0,0523				-	57	13,8	15,5	0,0605				-	80	14,8	16,5	0,0697				-	105	15,9	18,9	0,0800				-	130	17	20	0,0902				10	155	17,4	20,4	0,0882				15	160	17,6	20,6	0,0900			35	180	18,4	21,4	0,0972		50	195	19,1	22,1	0,1026	60	205	19,5	22,5	0,1062	70	230	20,6	23,6	0,1152	80	280	22,8	25,8	0,1332	90	235	20,8	23,8	0,1170	110	255	21,7	24,7	0,1242	135	280	22,8	25,8	0,1332	225 x	180	235	27,1	30,1	0,1692	BFL	280		-	57	14,4	16,1	0,0679		BFL		-	-	9,8	11,5	0,0246				-	-	10,3	12	0,0287				-	-	10,8	12,5	0,0338				-	5	11,4	13,1	0,0390				-	20	12,1	13,8	0,0451				-	30	12,5	14,2	0,0492				-	37	12,9	14,6	0,0523				-	57	13,8	15,5	0,0605				-	80	14,8	16,5	0,0697				-	105	15,9	18,9	0,0800				-	130	17	20	0,0902				10	155	17,4	20,4	0,0882				15	160	17,6	20,6	0,0900			35	180	18,4	21,4	0,0972		50	195	19,1	22,1	0,1026	60	205	19,5	22,5	0,1062	70	230	20,6	23,6	0,1152	80	280	22,8	25,8	0,1332	90	235	20,8	23,8	0,1170	110	255	21,7	24,7	0,1242	135	280	22,8	25,8	0,1332	225 x	180	235	27,1	30,1	0,1692	BFL	280		-	80	15,4	17,1	0,0782		BFL		-	-	9,8	11,5	0,0246				-	-	10,3	12	0,0287				-	-	10,8	12,5	0,0338				-	5	11,4	13,1	0,0390				-	20	12,1	13,8	0,0451				-	30	12,5	14,2	0,0492				-	37	12,9	14,6	0,0523				-	57	13,8	15,5	0,0605				-	80	14,8	16,5	0,0697				-	105	15,9	18,9	0,0800				-	130	17	20	0,0902				10	155	17,4	20,4	0,0882				15	160	17,6	20,6	0,0900			35	180	18,4	21,4	0,0972		50	195	19,1	22,1	0,1026	60	205	19,5	22,5	0,1062	70	230	20,6	23,6	0,1152	80	280	22,8	25,8	0,1332	90	235	20,8	23,8	0,1170	110	255	21,7	24,7	0,1242	135	280	22,8	25,8	0,1332	225 x	180	235	27,1	30,1	0,1692	BFL	280		-	105	16,6	19,6	0,0897		BFL		-	-	9,8	11,5	0,0246				-	-	10,3	12	0,0287				-	-	10,8	12,5	0,0338				-	5	11,4	13,1	0,0390				-	20	12,1	13,8	0,0451				-	30	12,5	14,2	0,0492				-	37	12,9	14,6	0,0523				-	57	13,8	15,5	0,0605				-	80	14,8	16,5	0,0697				-	105	15,9	18,9	0,0800				-	130	17	20	0,0902				10	155	17,4	20,4	0,0882				15	160	17,6	20,6	0,0900			35	180	18,4	21,4	0,0972		50	195	19,1	22,1	0,1026	60	205	19,5	22,5	0,1062	70	230	20,6	23,6	0,1152	80	280	22,8	25,8	0,1332	90	235	20,8	23,8	0,1170	110	255	21,7	24,7	0,1242	135	280	22,8	25,8	0,1332	225 x	180	235	27,1	30,1	0,1692	BFL	280		-	130	17,8	20,8	0,1012		BFL		-	-	9,8	11,5	0,0246				-	-	10,3	12	0,0287				-	-	10,8	12,5	0,0338				-	5	11,4	13,1	0,0390				-	20	12,1	13,8	0,0451				-	30	12,5	14,2	0,0492				-	37	12,9	14,6	0,0523				-	57	13,8	15,5	0,0605				-	80	14,8	16,5	0,0697				-	105	15,9	18,9	0,0800				-	130	17	20	0,0902				10	155	17,4	20,4	0,0882				15	160	17,6	20,6	0,0900			35	180	18,4	21,4	0,0972		50	195	19,1	22,1	0,1026	60	205	19,5	22,5	0,1062	70	230	20,6	23,6	0,1152	80	280	22,8	25,8	0,1332	90	235	20,8	23,8	0,1170	110	255	21,7	24,7	0,1242	135	280	22,8	25,8	0,1332	225 x	180	235	27,1	30,1	0,1692	BFL	280		-	155	18,9	21,9	0,1127		BFL		-	-	9,8	11,5	0,0246				-	-	10,3	12	0,0287				-	-	10,8	12,5	0,0338				-	5	11,4	13,1	0,0390				-	20	12,1	13,8	0,0451				-	30	12,5	14,2	0,0492				-	37	12,9	14,6	0,0523				-	57	13,8	15,5	0,0605				-	80	14,8	16,5	0,0697				-	105	15,9	18,9	0,0800				-	130	17	20	0,0902				10	155	17,4	20,4	0,0882				15	160	17,6	20,6	0,0900			35	180	18,4	21,4	0,0972		50	195	19,1	22,1	0,1026	60	205	19,5	22,5	0,1062	70	230	20,6	23,6	0,1152	80	280	22,8	25,8	0,1332	90	235	20,8	23,8	0,1170	110	255	21,7	24,7	0,1242	135	280	22																																																																																																																																																																																																																																																																																																																																																																																																																																																																																																																																																																																																																																						
60	205	19,5	22,5	0,1062	70	230	20,6	23,6	0,1152	80	280	22,8	25,8	0,1332	90	235	20,8	23,8	0,1170	110	255	21,7	24,7	0,1242	135	280	22,8	25,8	0,1332	225 x	180	235	27,1	30,1	0,1692	BFL	280		-	37	13,4	15,1	0,0587		BFL		-	-	9,8	11,5	0,0246				-	-	10,3	12	0,0287				-	-	10,8	12,5	0,0338				-	5	11,4	13,1	0,0390				-	20	12,1	13,8	0,0451				-	30	12,5	14,2	0,0492				-	37	12,9	14,6	0,0523				-	57	13,8	15,5	0,0605				-	80	14,8	16,5	0,0697				-	105	15,9	18,9	0,0800				-	130	17	20	0,0902				10	155	17,4	20,4	0,0882				15	160	17,6	20,6	0,0900				35	180	18,4	21,4	0,0972			50	195	19,1	22,1	0,1026		60	205	19,5	22,5	0,1062	70	230	20,6	23,6	0,1152	80	280	22,8	25,8	0,1332	90	235	20,8	23,8	0,1170	110	255	21,7	24,7	0,1242	135	280	22,8	25,8	0,1332	225 x	180	235	27,1	30,1		0,1692	BFL	280	-	57		14,4		16,1	0,0679	BFL	-	-				9,8	11,5	0,0246	-	-				10,3	12	0,0287	-	-				10,8	12,5	0,0338	-	5				11,4	13,1	0,0390	-	20				12,1	13,8	0,0451	-	30				12,5	14,2	0,0492	-	37				12,9	14,6	0,0523	-	57				13,8	15,5	0,0605	-	80				14,8	16,5	0,0697	-	105				15,9	18,9	0,0800	-	130				17	20	0,0902	10	155				17,4	20,4	0,0882	15	160				17,6	20,6	0,0900	35	180			18,4	21,4	0,0972	50	195		19,1	22,1	0,1026	60	205	19,5	22,5	0,1062	70	230	20,6	23,6	0,1152	80	280	22,8	25,8	0,1332	90	235	20,8	23,8	0,1170	110	255	21,7	24,7	0,1242	135	280	22,8	25,8	0,1332	225 x	180		235	27,1	30,1	0,1692	BFL		280		-	80	15,4	17,1	0,0782				BFL	-	-	9,8	11,5				0,0246	-	-	10,3	12				0,0287	-	-	10,8	12,5				0,0338	-	5	11,4	13,1				0,0390	-	20	12,1	13,8				0,0451	-	30	12,5	14,2				0,0492	-	37	12,9	14,6				0,0523	-	57	13,8	15,5				0,0605	-	80	14,8	16,5				0,0697	-	105	15,9	18,9				0,0800	-	130	17	20				0,0902	10	155	17,4	20,4				0,0882	15	160	17,6	20,6			0,0900	35	180	18,4	21,4		0,0972	50	195	19,1	22,1	0,1026	60	205	19,5	22,5	0,1062	70	230	20,6	23,6	0,1152	80	280	22,8	25,8	0,1332	90	235	20,8	23,8	0,1170	110	255	21,7	24,7	0,1242	135	280	22,8	25,8		0,1332	225 x	180	235	27,1		30,1		0,1692	BFL	280	-	105				16,6	19,6	0,0897	BFL	-				-	9,8	11,5	0,0246	-				-	10,3	12	0,0287	-				-	10,8	12,5	0,0338	-				5	11,4	13,1	0,0390	-				20	12,1	13,8	0,0451	-				30	12,5	14,2	0,0492	-				37	12,9	14,6	0,0523	-				57	13,8	15,5	0,0605	-				80	14,8	16,5	0,0697	-				105	15,9	18,9	0,0800	-				130	17	20	0,0902	10				155	17,4	20,4	0,0882	15			160	17,6	20,6	0,0900	35		180	18,4	21,4	0,0972	50	195	19,1	22,1	0,1026	60	205	19,5	22,5	0,1062	70	230	20,6	23,6	0,1152	80	280	22,8	25,8	0,1332	90	235	20,8	23,8	0,1170	110	255	21,7	24,7	0,1242	135		280	22,8	25,8	0,1332	225 x		180		235	27,1	30,1	0,1692	BFL				280	-	130	17,8	20,8				0,1012	BFL	-	-	9,8				11,5	0,0246	-	-	10,3				12	0,0287	-	-	10,8				12,5	0,0338	-	5	11,4				13,1	0,0390	-	20	12,1				13,8	0,0451	-	30	12,5				14,2	0,0492	-	37	12,9				14,6	0,0523	-	57	13,8				15,5	0,0605	-	80	14,8				16,5	0,0697	-	105	15,9				18,9	0,0800	-	130	17				20	0,0902	10	155	17,4			20,4	0,0882	15	160	17,6		20,6	0,0900	35	180	18,4	21,4	0,0972	50	195	19,1	22,1	0,1026	60	205	19,5	22,5	0,1062	70	230	20,6	23,6	0,1152	80	280	22,8	25,8	0,1332	90	235	20,8	23,8	0,1170	110	255	21,7		24,7	0,1242	135	280	22,8		25,8		0,1332	225 x	180	235	27,1				30,1	0,1692	BFL	280	-				155	18,9	21,9	0,1127	BFL				-	-	9,8	11,5	0,0246				-	-	10,3	12	0,0287				-	-	10,8	12,5	0,0338				-	5	11,4	13,1	0,0390				-	20	12,1	13,8	0,0451				-	30	12,5	14,2	0,0492				-	37	12,9	14,6	0,0523				-	57	13,8	15,5	0,0605				-	80	14,8	16,5	0,0697				-	105	15,9	18,9	0,0800				-	130	17	20	0,0902			10	155	17,4	20,4	0,0882		15	160	17,6	20,6	0,0900	35	180	18,4	21,4	0,0972	50	195	19,1	22,1	0,1026	60	205	19,5	22,5	0,1062	70	230	20,6	23,6	0,1152	80	280	22,8	25,8	0,1332	90	235	20,8	23,8	0,1170	110	255	21,7	24,7	0,1242	135	280	22																																																																																																																																																																																																																																																																																																																																																																																																																																																																																																																																																																																																																												
70	230	20,6	23,6	0,1152	80	280	22,8	25,8	0,1332	90	235	20,8	23,8	0,1170	110	255	21,7	24,7	0,1242	135	280	22,8	25,8	0,1332	225 x	180	235	27,1	30,1		0,1692	BFL	280	-	37		13,4		15,1	0,0587	BFL	-	-				9,8	11,5	0,0246	-	-				10,3	12	0,0287	-	-				10,8	12,5	0,0338	-	5				11,4	13,1	0,0390	-	20				12,1	13,8	0,0451	-	30				12,5	14,2	0,0492	-	37				12,9	14,6	0,0523	-	57				13,8	15,5	0,0605	-	80				14,8	16,5	0,0697	-	105				15,9	18,9	0,0800	-	130				17	20	0,0902	10	155				17,4	20,4	0,0882	15	160				17,6	20,6	0,0900	35	180			18,4	21,4	0,0972	50	195	19,1	22,1		0,1026	60	205	19,5	22,5	0,1062	70	230	20,6	23,6	0,1152	80	280	22,8	25,8	0,1332	90	235	20,8	23,8	0,1170	110	255	21,7	24,7	0,1242	135	280	22,8	25,8	0,1332	225 x	180	235	27,1	30,1		0,1692	BFL	280	-		57		14,4	16,1	0,0679		BFL		-	-		9,8	11,5				0,0246	-	-	10,3	12				0,0287	-	-	10,8	12,5				0,0338	-	5	11,4	13,1				0,0390	-	20	12,1	13,8				0,0451	-	30	12,5	14,2				0,0492	-	37	12,9	14,6				0,0523	-	57	13,8	15,5				0,0605	-	80	14,8	16,5				0,0697	-	105	15,9	18,9				0,0800	-	130	17	20				0,0902	10	155	17,4	20,4				0,0882	15	160	17,6	20,6			0,0900	35	180	18,4	21,4	0,0972	50		195	19,1	22,1	0,1026	60	205	19,5	22,5	0,1062	70	230	20,6	23,6	0,1152	80	280	22,8	25,8	0,1332	90	235	20,8	23,8	0,1170	110	255	21,7	24,7	0,1242	135	280	22,8	25,8	0,1332	225 x	180	235	27,1	30,1		0,1692		BFL	280	-	80			15,4		17,1	0,0782	BFL	-	-					9,8	11,5	0,0246	-				-	10,3	12	0,0287	-				-	10,8	12,5	0,0338	-				5	11,4	13,1	0,0390	-				20	12,1	13,8	0,0451	-				30	12,5	14,2	0,0492	-				37	12,9	14,6	0,0523	-				57	13,8	15,5	0,0605	-				80	14,8	16,5	0,0697	-				105	15,9	18,9	0,0800	-				130	17	20	0,0902	10				155	17,4	20,4	0,0882	15			160	17,6	20,6	0,0900	35	180	18,4		21,4	0,0972	50	195	19,1	22,1	0,1026	60	205	19,5	22,5	0,1062	70	230	20,6	23,6	0,1152	80	280	22,8	25,8	0,1332	90	235	20,8	23,8	0,1170	110	255	21,7	24,7	0,1242	135	280	22,8	25,8	0,1332	225 x	180	235	27,1		30,1		0,1692	BFL	280		-		105		16,6	19,6	0,0897				BFL	-	-		9,8				11,5	0,0246	-	-	10,3				12	0,0287	-	-	10,8				12,5	0,0338	-	5	11,4				13,1	0,0390	-	20	12,1				13,8	0,0451	-	30	12,5				14,2	0,0492	-	37	12,9				14,6	0,0523	-	57	13,8				15,5	0,0605	-	80	14,8				16,5	0,0697	-	105	15,9				18,9	0,0800	-	130	17				20	0,0902	10	155	17,4			20,4	0,0882	15	160	17,6	20,6	0,0900		35	180	18,4	21,4	0,0972	50	195	19,1	22,1	0,1026	60	205	19,5	22,5	0,1062	70	230	20,6	23,6	0,1152	80	280	22,8	25,8	0,1332	90	235	20,8	23,8	0,1170	110	255	21,7	24,7	0,1242	135	280	22,8	25,8	0,1332	225 x		180	235	27,1	30,1			0,1692		BFL	280	-	130					17,8	20,8	0,1012	BFL	-				-		9,8	11,5	0,0246				-	-	10,3	12	0,0287				-	-	10,8	12,5	0,0338				-	5	11,4	13,1	0,0390				-	20	12,1	13,8	0,0451				-	30	12,5	14,2	0,0492				-	37	12,9	14,6	0,0523				-	57	13,8	15,5	0,0605				-	80	14,8	16,5	0,0697				-	105	15,9	18,9	0,0800				-	130	17	20	0,0902			10	155	17,4	20,4	0,0882	15	160		17,6	20,6	0,0900	35	180	18,4	21,4	0,0972	50	195	19,1	22,1	0,1026	60	205	19,5	22,5	0,1062	70	230	20,6	23,6	0,1152	80	280	22,8	25,8	0,1332	90	235	20,8	23,8	0,1170	110	255	21,7	24,7	0,1242	135	280	22,8		25,8	0,1332	225 x	180	235		27,1		30,1		0,1692	BFL	280				-	155		18,9	21,9				0,1127	BFL	-	-					9,8	11,5	0,0246	-	-				10,3	12	0,0287	-	-				10,8	12,5	0,0338	-	5				11,4	13,1	0,0390	-	20				12,1	13,8	0,0451	-	30				12,5	14,2	0,0492	-	37				12,9	14,6	0,0523	-	57				13,8	15,5	0,0605	-	80				14,8	16,5	0,0697	-	105				15,9	18,9	0,0800	-	130			17	20	0,0902	10	155	17,4	20,4		0,0882	15	160	17,6	20,6	0,0900	35	180	18,4	21,4	0,0972	50	195	19,1	22,1	0,1026	60	205	19,5	22,5	0,1062	70	230	20,6	23,6	0,1152	80	280	22,8	25,8	0,1332	90	235	20,8	23,8	0,1170	110	255	21,7	24,7	0,1242	135	280	22																																																																																																																																																																																																																																																																																																																																																																																																																																																																																																																																																																																																																																	
80	280	22,8	25,8	0,1332	90	235	20,8	23,8	0,1170	110	255	21,7	24,7	0,1242	135	280	22,8	25,8	0,1332	225 x	180	235	27,1	30,1		0,1692	BFL	280	-		37		13,4	15,1	0,0587		BFL		-	-		9,8	11,5				0,0246	-	-	10,3	12				0,0287	-	-	10,8	12,5				0,0338	-	5	11,4	13,1				0,0390	-	20	12,1	13,8				0,0451	-	30	12,5	14,2				0,0492	-	37	12,9	14,6				0,0523	-	57	13,8	15,5				0,0605	-	80	14,8	16,5				0,0697	-	105	15,9	18,9				0,0800	-	130	17	20				0,0902	10	155	17,4	20,4				0,0882	15	160	17,6	20,6			0,0900	35	180	18,4	21,4	0,0972	50		195	19,1	22,1	0,1026	60	205	19,5	22,5	0,1062	70	230	20,6	23,6	0,1152	80	280	22,8	25,8	0,1332	90	235	20,8	23,8	0,1170	110	255	21,7	24,7	0,1242	135	280	22,8	25,8	0,1332	225 x	180	235	27,1	30,1		0,1692	BFL	280	-		57		14,4	16,1		0,0679		BFL	-	-				9,8	11,5		0,0246	-				-	10,3	12	0,0287	-				-	10,8	12,5	0,0338	-				5	11,4	13,1	0,0390	-				20	12,1	13,8	0,0451	-				30	12,5	14,2	0,0492	-				37	12,9	14,6	0,0523	-				57	13,8	15,5	0,0605	-				80	14,8	16,5	0,0697	-				105	15,9	18,9	0,0800	-				130	17	20	0,0902	10				155	17,4	20,4	0,0882	15			160	17,6	20,6	0,0900	35	180	18,4		21,4	0,0972	50	195	19,1	22,1	0,1026	60	205	19,5	22,5	0,1062	70	230	20,6	23,6	0,1152	80	280	22,8	25,8	0,1332	90	235	20,8	23,8	0,1170	110	255	21,7	24,7	0,1242	135	280	22,8	25,8	0,1332	225 x	180	235	27,1	30,1		0,1692	BFL	280	-		80			15,4	17,1	0,0782			BFL		-	-		9,8	11,5					0,0246	-	-	10,3				12	0,0287	-	-	10,8				12,5	0,0338	-	5	11,4				13,1	0,0390	-	20	12,1				13,8	0,0451	-	30	12,5				14,2	0,0492	-	37	12,9				14,6	0,0523	-	57	13,8				15,5	0,0605	-	80	14,8				16,5	0,0697	-	105	15,9				18,9	0,0800	-	130	17				20	0,0902	10	155	17,4			20,4	0,0882	15	160	17,6	20,6	0,0900		35	180	18,4	21,4	0,0972	50	195	19,1	22,1	0,1026	60	205	19,5	22,5	0,1062	70	230	20,6	23,6	0,1152	80	280	22,8	25,8	0,1332	90	235	20,8	23,8	0,1170	110	255	21,7	24,7	0,1242	135	280	22,8	25,8	0,1332	225 x	180	235	27,1	30,1		0,1692	BFL	280		-		105		16,6		19,6		0,0897		BFL	-	-					9,8	11,5		0,0246				-	-	10,3	12	0,0287				-	-	10,8	12,5	0,0338				-	5	11,4	13,1	0,0390				-	20	12,1	13,8	0,0451				-	30	12,5	14,2	0,0492				-	37	12,9	14,6	0,0523				-	57	13,8	15,5	0,0605				-	80	14,8	16,5	0,0697				-	105	15,9	18,9	0,0800				-	130	17	20	0,0902			10	155	17,4	20,4	0,0882	15	160		17,6	20,6	0,0900	35	180	18,4	21,4	0,0972	50	195	19,1	22,1	0,1026	60	205	19,5	22,5	0,1062	70	230	20,6	23,6	0,1152	80	280	22,8	25,8	0,1332	90	235	20,8	23,8	0,1170	110	255	21,7	24,7	0,1242	135	280	22,8	25,8	0,1332	225 x	180	235	27,1	30,1			0,1692	BFL	280	-			130			17,8	20,8	0,1012					BFL	-	-		9,8				11,5		0,0246	-	-				10,3	12	0,0287	-	-				10,8	12,5	0,0338	-	5				11,4	13,1	0,0390	-	20				12,1	13,8	0,0451	-	30				12,5	14,2	0,0492	-	37				12,9	14,6	0,0523	-	57				13,8	15,5	0,0605	-	80				14,8	16,5	0,0697	-	105				15,9	18,9	0,0800	-	130			17	20	0,0902	10	155	17,4	20,4		0,0882	15	160	17,6	20,6	0,0900	35	180	18,4	21,4	0,0972	50	195	19,1	22,1	0,1026	60	205	19,5	22,5	0,1062	70	230	20,6	23,6	0,1152	80	280	22,8	25,8	0,1332	90	235	20,8	23,8	0,1170	110	255	21,7	24,7	0,1242	135	280	22,8	25,8	0,1332	225 x	180	235		27,1	30,1		0,1692	BFL		280		-		155		18,9				21,9	0,1127		BFL	-				-		9,8	11,5					0,0246	-	-	10,3	12				0,0287	-	-	10,8	12,5				0,0338	-	5	11,4	13,1				0,0390	-	20	12,1	13,8				0,0451	-	30	12,5	14,2				0,0492	-	37	12,9	14,6				0,0523	-	57	13,8	15,5				0,0605	-	80	14,8	16,5				0,0697	-	105	15,9	18,9			0,0800	-	130	17	20	0,0902	10		155	17,4	20,4	0,0882	15	160	17,6	20,6	0,0900	35	180	18,4	21,4	0,0972	50	195	19,1	22,1	0,1026	60	205	19,5	22,5	0,1062	70	230	20,6	23,6	0,1152	80	280	22,8	25,8	0,1332	90	235	20,8	23,8	0,1170	110	255	21,7	24,7	0,1242	135	280	22																																																																																																																																																																																																																																																																																																																																																																																																																																																																																																																																																																																																																																						
90	235	20,8	23,8	0,1170	110	255	21,7	24,7	0,1242	135	280	22,8	25,8	0,1332	225 x	180	235	27,1	30,1		0,1692	BFL	280	-		37		13,4	15,1		0,0587		BFL	-	-				9,8	11,5		0,0246	-				-	10,3	12	0,0287	-				-	10,8	12,5	0,0338	-				5	11,4	13,1	0,0390	-				20	12,1	13,8	0,0451	-				30	12,5	14,2	0,0492	-				37	12,9	14,6	0,0523	-				57	13,8	15,5	0,0605	-				80	14,8	16,5	0,0697	-				105	15,9	18,9	0,0800	-				130	17	20	0,0902	10				155	17,4	20,4	0,0882	15			160	17,6	20,6	0,0900	35	180	18,4		21,4	0,0972	50	195	19,1	22,1	0,1026	60	205	19,5	22,5	0,1062	70	230	20,6	23,6	0,1152	80	280	22,8	25,8	0,1332	90	235	20,8	23,8	0,1170	110	255	21,7	24,7	0,1242	135	280	22,8	25,8	0,1332	225 x	180	235	27,1	30,1		0,1692	BFL	280	-		57		14,4	16,1		0,0679		BFL	-		-			9,8	11,5				0,0246	-		-	10,3				12	0,0287	-	-	10,8				12,5	0,0338	-	5	11,4				13,1	0,0390	-	20	12,1				13,8	0,0451	-	30	12,5				14,2	0,0492	-	37	12,9				14,6	0,0523	-	57	13,8				15,5	0,0605	-	80	14,8				16,5	0,0697	-	105	15,9				18,9	0,0800	-	130	17				20	0,0902	10	155	17,4			20,4	0,0882	15	160	17,6	20,6	0,0900		35	180	18,4	21,4	0,0972	50	195	19,1	22,1	0,1026	60	205	19,5	22,5	0,1062	70	230	20,6	23,6	0,1152	80	280	22,8	25,8	0,1332	90	235	20,8	23,8	0,1170	110	255	21,7	24,7	0,1242	135	280	22,8	25,8	0,1332	225 x	180	235	27,1	30,1		0,1692	BFL	280	-		80		15,4	17,1		0,0782			BFL	-	-					9,8	11,5		0,0246	-					-	10,3	12	0,0287				-	-	10,8	12,5	0,0338				-	5	11,4	13,1	0,0390				-	20	12,1	13,8	0,0451				-	30	12,5	14,2	0,0492				-	37	12,9	14,6	0,0523				-	57	13,8	15,5	0,0605				-	80	14,8	16,5	0,0697				-	105	15,9	18,9	0,0800				-	130	17	20	0,0902			10	155	17,4	20,4	0,0882	15	160		17,6	20,6	0,0900	35	180	18,4	21,4	0,0972	50	195	19,1	22,1	0,1026	60	205	19,5	22,5	0,1062	70	230	20,6	23,6	0,1152	80	280	22,8	25,8	0,1332	90	235	20,8	23,8	0,1170	110	255	21,7	24,7	0,1242	135	280	22,8	25,8	0,1332	225 x	180	235	27,1	30,1		0,1692	BFL	280	-		105		16,6		19,6		0,0897		BFL		-		-			9,8	11,5					0,0246	-		-				10,3	12	0,0287	-	-				10,8	12,5	0,0338	-	5				11,4	13,1	0,0390	-	20				12,1	13,8	0,0451	-	30				12,5	14,2	0,0492	-	37				12,9	14,6	0,0523	-	57				13,8	15,5	0,0605	-	80				14,8	16,5	0,0697	-	105				15,9	18,9	0,0800	-	130			17	20	0,0902	10	155	17,4	20,4		0,0882	15	160	17,6	20,6	0,0900	35	180	18,4	21,4	0,0972	50	195	19,1	22,1	0,1026	60	205	19,5	22,5	0,1062	70	230	20,6	23,6	0,1152	80	280	22,8	25,8	0,1332	90	235	20,8	23,8	0,1170	110	255	21,7	24,7	0,1242	135	280	22,8	25,8	0,1332	225 x	180	235	27,1	30,1		0,1692	BFL	280	-			130		17,8	20,8			0,1012			BFL	-	-						9,8	11,5		0,0246				-		-	10,3	12				0,0287	-	-	10,8	12,5				0,0338	-	5	11,4	13,1				0,0390	-	20	12,1	13,8				0,0451	-	30	12,5	14,2				0,0492	-	37	12,9	14,6				0,0523	-	57	13,8	15,5				0,0605	-	80	14,8	16,5				0,0697	-	105	15,9	18,9			0,0800	-	130	17	20	0,0902	10		155	17,4	20,4	0,0882	15	160	17,6	20,6	0,0900	35	180	18,4	21,4	0,0972	50	195	19,1	22,1	0,1026	60	205	19,5	22,5	0,1062	70	230	20,6	23,6	0,1152	80	280	22,8	25,8	0,1332	90	235	20,8	23,8	0,1170	110	255	21,7	24,7	0,1242	135	280	22,8	25,8	0,1332	225 x	180	235	27,1	30,1		0,1692	BFL		280	-		155			18,9		21,9		0,1127		BFL				-	-			9,8				11,5		0,0246	-					-	10,3	12	0,0287	-				-	10,8	12,5	0,0338	-				5	11,4	13,1	0,0390	-				20	12,1	13,8	0,0451	-				30	12,5	14,2	0,0492	-				37	12,9	14,6	0,0523	-				57	13,8	15,5	0,0605	-				80	14,8	16,5	0,0697	-			105	15,9	18,9	0,0800	-	130	17		20	0,0902	10	155	17,4	20,4	0,0882	15	160	17,6	20,6	0,0900	35	180	18,4	21,4	0,0972	50	195	19,1	22,1	0,1026	60	205	19,5	22,5	0,1062	70	230	20,6	23,6	0,1152	80	280	22,8	25,8	0,1332	90	235	20,8	23,8	0,1170	110	255	21,7	24,7	0,1242	135	280	22																																																																																																																																																																																																																																																																																																																																																																																																																																																																																																																																																																																																																																											
110	255	21,7	24,7	0,1242	135	280	22,8	25,8	0,1332	225 x	180	235	27,1	30,1		0,1692	BFL	280	-		37		13,4	15,1		0,0587		BFL	-		-			9,8	11,5				0,0246	-		-	10,3				12	0,0287	-	-	10,8				12,5	0,0338	-	5	11,4				13,1	0,0390	-	20	12,1				13,8	0,0451	-	30	12,5				14,2	0,0492	-	37	12,9				14,6	0,0523	-	57	13,8				15,5	0,0605	-	80	14,8				16,5	0,0697	-	105	15,9				18,9	0,0800	-	130	17				20	0,0902	10	155	17,4			20,4	0,0882	15	160	17,6	20,6	0,0900		35	180	18,4	21,4	0,0972	50	195	19,1	22,1	0,1026	60	205	19,5	22,5	0,1062	70	230	20,6	23,6	0,1152	80	280	22,8	25,8	0,1332	90	235	20,8	23,8	0,1170	110	255	21,7	24,7	0,1242	135	280	22,8	25,8	0,1332	225 x	180	235	27,1	30,1		0,1692	BFL	280	-		57		14,4	16,1		0,0679		BFL	-		-			9,8		11,5			0,0246	-				-	10,3		12	0,0287				-	-	10,8	12,5	0,0338				-	5	11,4	13,1	0,0390				-	20	12,1	13,8	0,0451				-	30	12,5	14,2	0,0492				-	37	12,9	14,6	0,0523				-	57	13,8	15,5	0,0605				-	80	14,8	16,5	0,0697				-	105	15,9	18,9	0,0800				-	130	17	20	0,0902			10	155	17,4	20,4	0,0882	15	160		17,6	20,6	0,0900	35	180	18,4	21,4	0,0972	50	195	19,1	22,1	0,1026	60	205	19,5	22,5	0,1062	70	230	20,6	23,6	0,1152	80	280	22,8	25,8	0,1332	90	235	20,8	23,8	0,1170	110	255	21,7	24,7	0,1242	135	280	22,8	25,8	0,1332	225 x	180	235	27,1	30,1		0,1692	BFL	280	-		80		15,4	17,1		0,0782		BFL	-		-				9,8	11,5					0,0246	-		-	10,3					12	0,0287	-	-				10,8	12,5	0,0338	-	5				11,4	13,1	0,0390	-	20				12,1	13,8	0,0451	-	30				12,5	14,2	0,0492	-	37				12,9	14,6	0,0523	-	57				13,8	15,5	0,0605	-	80				14,8	16,5	0,0697	-	105				15,9	18,9	0,0800	-	130			17	20	0,0902	10	155	17,4	20,4		0,0882	15	160	17,6	20,6	0,0900	35	180	18,4	21,4	0,0972	50	195	19,1	22,1	0,1026	60	205	19,5	22,5	0,1062	70	230	20,6	23,6	0,1152	80	280	22,8	25,8	0,1332	90	235	20,8	23,8	0,1170	110	255	21,7	24,7	0,1242	135	280	22,8	25,8	0,1332	225 x	180	235	27,1	30,1		0,1692	BFL	280	-		105		16,6	19,6		0,0897		BFL		-		-				9,8		11,5			0,0246	-					-	10,3		12				0,0287	-	-	10,8	12,5				0,0338	-	5	11,4	13,1				0,0390	-	20	12,1	13,8				0,0451	-	30	12,5	14,2				0,0492	-	37	12,9	14,6				0,0523	-	57	13,8	15,5				0,0605	-	80	14,8	16,5				0,0697	-	105	15,9	18,9			0,0800	-	130	17	20	0,0902	10		155	17,4	20,4	0,0882	15	160	17,6	20,6	0,0900	35	180	18,4	21,4	0,0972	50	195	19,1	22,1	0,1026	60	205	19,5	22,5	0,1062	70	230	20,6	23,6	0,1152	80	280	22,8	25,8	0,1332	90	235	20,8	23,8	0,1170	110	255	21,7	24,7	0,1242	135	280	22,8	25,8	0,1332	225 x	180	235	27,1	30,1		0,1692	BFL	280	-		130		17,8	20,8			0,1012		BFL	-			-				9,8	11,5						0,0246	-		-				10,3		12	0,0287	-				-	10,8	12,5	0,0338	-				5	11,4	13,1	0,0390	-				20	12,1	13,8	0,0451	-				30	12,5	14,2	0,0492	-				37	12,9	14,6	0,0523	-				57	13,8	15,5	0,0605	-				80	14,8	16,5	0,0697	-			105	15,9	18,9	0,0800	-	130	17		20	0,0902	10	155	17,4	20,4	0,0882	15	160	17,6	20,6	0,0900	35	180	18,4	21,4	0,0972	50	195	19,1	22,1	0,1026	60	205	19,5	22,5	0,1062	70	230	20,6	23,6	0,1152	80	280	22,8	25,8	0,1332	90	235	20,8	23,8	0,1170	110	255	21,7	24,7	0,1242	135	280	22,8	25,8	0,1332	225 x	180	235	27,1	30,1		0,1692	BFL	280	-		155			18,9	21,9		0,1127			BFL		-		-						9,8	11,5			0,0246				-		-	10,3					12	0,0287	-	-	10,8				12,5	0,0338	-	5	11,4				13,1	0,0390	-	20	12,1				13,8	0,0451	-	30	12,5				14,2	0,0492	-	37	12,9				14,6	0,0523	-	57	13,8				15,5	0,0605	-	80	14,8			16,5	0,0697	-	105	15,9	18,9	0,0800		-	130	17	20	0,0902	10	155	17,4	20,4	0,0882	15	160	17,6	20,6	0,0900	35	180	18,4	21,4	0,0972	50	195	19,1	22,1	0,1026	60	205	19,5	22,5	0,1062	70	230	20,6	23,6	0,1152	80	280	22,8	25,8	0,1332	90	235	20,8	23,8	0,1170	110	255	21,7	24,7	0,1242	135	280	22																																																																																																																																																																																																																																																																																																																																																																																																																																																																																																																																																																																																																																																
135	280	22,8	25,8	0,1332	225 x	180	235	27,1	30,1		0,1692	BFL	280	-		37		13,4	15,1		0,0587		BFL	-		-			9,8		11,5			0,0246	-				-	10,3		12	0,0287				-	-	10,8	12,5	0,0338				-	5	11,4	13,1	0,0390				-	20	12,1	13,8	0,0451				-	30	12,5	14,2	0,0492				-	37	12,9	14,6	0,0523				-	57	13,8	15,5	0,0605				-	80	14,8	16,5	0,0697				-	105	15,9	18,9	0,0800				-	130	17	20	0,0902			10	155	17,4	20,4	0,0882	15	160		17,6	20,6	0,0900	35	180	18,4	21,4	0,0972	50	195	19,1	22,1	0,1026	60	205	19,5	22,5	0,1062	70	230	20,6	23,6	0,1152	80	280	22,8	25,8	0,1332	90	235	20,8	23,8	0,1170	110	255	21,7	24,7	0,1242	135	280	22,8	25,8	0,1332	225 x	180	235	27,1	30,1		0,1692	BFL	280	-		57		14,4	16,1		0,0679		BFL	-		-			9,8		11,5			0,0246		-			-	10,3				12	0,0287		-	-				10,8	12,5	0,0338	-	5				11,4	13,1	0,0390	-	20				12,1	13,8	0,0451	-	30				12,5	14,2	0,0492	-	37				12,9	14,6	0,0523	-	57				13,8	15,5	0,0605	-	80				14,8	16,5	0,0697	-	105				15,9	18,9	0,0800	-	130			17	20	0,0902	10	155	17,4	20,4		0,0882	15	160	17,6	20,6	0,0900	35	180	18,4	21,4	0,0972	50	195	19,1	22,1	0,1026	60	205	19,5	22,5	0,1062	70	230	20,6	23,6	0,1152	80	280	22,8	25,8	0,1332	90	235	20,8	23,8	0,1170	110	255	21,7	24,7	0,1242	135	280	22,8	25,8	0,1332	225 x	180	235	27,1	30,1		0,1692	BFL	280	-		80		15,4	17,1		0,0782		BFL	-		-			9,8		11,5				0,0246	-					-	10,3		12	0,0287					-	-	10,8	12,5				0,0338	-	5	11,4	13,1				0,0390	-	20	12,1	13,8				0,0451	-	30	12,5	14,2				0,0492	-	37	12,9	14,6				0,0523	-	57	13,8	15,5				0,0605	-	80	14,8	16,5				0,0697	-	105	15,9	18,9			0,0800	-	130	17	20	0,0902	10		155	17,4	20,4	0,0882	15	160	17,6	20,6	0,0900	35	180	18,4	21,4	0,0972	50	195	19,1	22,1	0,1026	60	205	19,5	22,5	0,1062	70	230	20,6	23,6	0,1152	80	280	22,8	25,8	0,1332	90	235	20,8	23,8	0,1170	110	255	21,7	24,7	0,1242	135	280	22,8	25,8	0,1332	225 x	180	235	27,1	30,1		0,1692	BFL	280	-		105		16,6	19,6		0,0897		BFL	-		-				9,8		11,5				0,0246		-			-	10,3					12	0,0287		-				-	10,8	12,5	0,0338	-				5	11,4	13,1	0,0390	-				20	12,1	13,8	0,0451	-				30	12,5	14,2	0,0492	-				37	12,9	14,6	0,0523	-				57	13,8	15,5	0,0605	-				80	14,8	16,5	0,0697	-			105	15,9	18,9	0,0800	-	130	17		20	0,0902	10	155	17,4	20,4	0,0882	15	160	17,6	20,6	0,0900	35	180	18,4	21,4	0,0972	50	195	19,1	22,1	0,1026	60	205	19,5	22,5	0,1062	70	230	20,6	23,6	0,1152	80	280	22,8	25,8	0,1332	90	235	20,8	23,8	0,1170	110	255	21,7	24,7	0,1242	135	280	22,8	25,8	0,1332	225 x	180	235	27,1	30,1		0,1692	BFL	280	-		130		17,8	20,8		0,1012		BFL	-			-			9,8			11,5				0,0246	-						-	10,3		12				0,0287		-	-	10,8				12,5	0,0338	-	5	11,4				13,1	0,0390	-	20	12,1				13,8	0,0451	-	30	12,5				14,2	0,0492	-	37	12,9				14,6	0,0523	-	57	13,8				15,5	0,0605	-	80	14,8			16,5	0,0697	-	105	15,9	18,9	0,0800		-	130	17	20	0,0902	10	155	17,4	20,4	0,0882	15	160	17,6	20,6	0,0900	35	180	18,4	21,4	0,0972	50	195	19,1	22,1	0,1026	60	205	19,5	22,5	0,1062	70	230	20,6	23,6	0,1152	80	280	22,8	25,8	0,1332	90	235	20,8	23,8	0,1170	110	255	21,7	24,7	0,1242	135	280	22,8	25,8	0,1332	225 x	180	235	27,1	30,1		0,1692	BFL	280	-		155		18,9	21,9		0,1127			BFL	-		-					9,8		11,5						0,0246	-			-				10,3		12	0,0287					-	-	10,8	12,5	0,0338				-	5	11,4	13,1	0,0390				-	20	12,1	13,8	0,0451				-	30	12,5	14,2	0,0492				-	37	12,9	14,6	0,0523				-	57	13,8	15,5	0,0605			-	80	14,8	16,5	0,0697	-	105		15,9	18,9	0,0800	-	130	17	20	0,0902	10	155	17,4	20,4	0,0882	15	160	17,6	20,6	0,0900	35	180	18,4	21,4	0,0972	50	195	19,1	22,1	0,1026	60	205	19,5	22,5	0,1062	70	230	20,6	23,6	0,1152	80	280	22,8	25,8	0,1332	90	235	20,8	23,8	0,1170	110	255	21,7	24,7	0,1242	135	280	22																																																																																																																																																																																																																																																																																																																																																																																																																																																																																																																																																																																																																																																					
225 x	180	235	27,1	30,1		0,1692	BFL	280	-		37		13,4	15,1		0,0587		BFL																																																																																																																																																																																																																																																																																																																																																																																																																																																																																																																																																																																																																																																																																																																																																																																																																																																																																																																																																																																																																																																																																																																																																																																																																																																																																																																																																																																																																																																																																																																																																																																																																																																													
	-	-	9,8	11,5		0,0246		-	-		10,3		12	0,0287		-			-		10,8			12,5		0,0338			-		5			11,4	13,1				0,0390	-		20	12,1				13,8	0,0451	-	30	12,5				14,2	0,0492	-	37	12,9				14,6	0,0523	-	57	13,8				15,5	0,0605	-	80	14,8				16,5	0,0697	-	105	15,9				18,9	0,0800	-	130	17				20	0,0902	10	155	17,4			20,4	0,0882	15	160	17,6	20,6	0,0900		35	180	18,4	21,4	0,0972	50	195	19,1	22,1	0,1026	60	205	19,5	22,5	0,1062	70	230	20,6	23,6	0,1152	80	280	22,8	25,8	0,1332	90	235	20,8	23,8	0,1170	110	255	21,7	24,7	0,1242	135	280	22,8	25,8	0,1332	225 x	180	235	27,1	30,1	0,1692	BFL	280	-	57	14,4	16,1	0,0679	BFL	-	-	9,8	11,5	0,0246		-	-	10,3	12		0,0287		-	-		10,8		12,5	0,0338		-			5		11,4			13,1		0,0390			-		20			12,1	13,8				0,0451	-		30	12,5				14,2	0,0492	-	37	12,9				14,6	0,0523	-	57	13,8				15,5	0,0605	-	80	14,8				16,5	0,0697	-	105	15,9				18,9	0,0800	-	130	17				20	0,0902	10	155	17,4			20,4	0,0882	15	160	17,6	20,6	0,0900		35	180	18,4	21,4	0,0972	50	195	19,1	22,1	0,1026	60	205	19,5	22,5	0,1062	70	230	20,6	23,6	0,1152	80	280	22,8	25,8	0,1332	90	235	20,8	23,8	0,1170	110	255	21,7	24,7	0,1242	135	280	22,8	25,8	0,1332	225 x	180	235	27,1	30,1	0,1692	BFL	280	-	80	15,4	17,1	0,0782	BFL	-	-	9,8	11,5	0,0246	-	-	10,3		12	0,0287	-	-		10,8		12,5	0,0338		-		5	11,4		13,1			0,0390		-			20		12,1				13,8	0,0451					-	30		12,5	14,2					0,0492	-	37	12,9				14,6	0,0523	-	57	13,8				15,5	0,0605	-	80	14,8				16,5	0,0697	-	105	15,9				18,9	0,0800	-	130	17				20	0,0902	10	155	17,4			20,4	0,0882	15	160	17,6	20,6	0,0900		35	180	18,4	21,4	0,0972	50	195	19,1	22,1	0,1026	60	205	19,5	22,5	0,1062	70	230	20,6	23,6	0,1152	80	280	22,8	25,8	0,1332	90	235	20,8	23,8	0,1170	110	255	21,7	24,7	0,1242	135	280	22,8	25,8	0,1332	225 x	180	235	27,1	30,1	0,1692	BFL	280	-	105	16,6	19,6	0,0897	BFL	-	-	9,8	11,5	0,0246	-	-	10,3	12	0,0287	-		-	10,8	12,5	0,0338		-		5	11,4		13,1		0,0390	-		20			12,1		13,8				0,0451		-				30		12,5			14,2	0,0492					-	37		12,9				14,6	0,0523	-	57	13,8				15,5	0,0605	-	80	14,8				16,5	0,0697	-	105	15,9				18,9	0,0800	-	130	17				20	0,0902	10	155	17,4			20,4	0,0882	15	160	17,6	20,6	0,0900		35	180	18,4	21,4	0,0972	50	195	19,1	22,1	0,1026	60	205	19,5	22,5	0,1062	70	230	20,6	23,6	0,1152	80	280	22,8	25,8	0,1332	90	235	20,8	23,8	0,1170	110	255	21,7	24,7	0,1242	135	280	22,8	25,8	0,1332	225 x	180	235	27,1	30,1	0,1692	BFL	280	-	130	17,8	20,8	0,1012	BFL	-	-	9,8	11,5	0,0246	-	-	10,3	12	0,0287	-	-	10,8	12,5		0,0338	-	5	11,4		13,1		0,0390	-		20		12,1	13,8		0,0451			-			30			12,5			14,2				0,0492	-						37	12,9		14,6				0,0523		-	57	13,8				15,5	0,0605	-	80	14,8				16,5	0,0697	-	105	15,9				18,9	0,0800	-	130	17				20	0,0902	10	155	17,4			20,4	0,0882	15	160	17,6	20,6	0,0900		35	180	18,4	21,4	0,0972	50	195	19,1	22,1	0,1026	60	205	19,5	22,5	0,1062	70	230	20,6	23,6	0,1152	80	280	22,8	25,8	0,1332	90	235	20,8	23,8	0,1170	110	255	21,7	24,7	0,1242	135	280	22,8	25,8	0,1332	225 x	180	235	27,1	30,1	0,1692	BFL	280	-	155	18,9	21,9	0,1127	BFL	-	-	9,8	11,5	0,0246	-	-	10,3	12	0,0287	-	-	10,8	12,5	0,0338	-	5		11,4	13,1	0,0390	-		20		12,1	13,8		0,0451		-	30		12,5				14,2		0,0492					-		37						12,9	14,6			0,0523				-		57	13,8					15,5	0,0605	-	80	14,8				16,5	0,0697	-	105	15,9				18,9	0,0800	-	130	17				20	0,0902	10	155	17,4			20,4	0,0882	15	160	17,6	20,6	0,0900		35	180	18,4	21,4	0,0972	50	195	19,1	22,1	0,1026	60	205	19,5	22,5	0,1062	70	230	20,6	23,6	0,1152	80	280	22,8	25,8	0,1332	90	235	20,8	23,8	0,1170	110	255	21,7	24,7	0,1242	135	280	22																																																																																																																																																																																																																																																																																																																																																																																																																																																																																																																																																																																																																																																																																							
	-	-	10,3	12		0,0287		-	-		10,8		12,5	0,0338		-			5		11,4			13,1		0,0390			-		20			12,1	13,8				0,0451	-		30	12,5				14,2	0,0492	-	37	12,9				14,6	0,0523	-	57	13,8				15,5	0,0605	-	80	14,8				16,5	0,0697	-	105	15,9				18,9	0,0800	-	130	17				20	0,0902	10	155	17,4			20,4	0,0882	15	160	17,6	20,6	0,0900		35	180	18,4	21,4	0,0972	50	195	19,1	22,1	0,1026	60	205	19,5	22,5	0,1062	70	230	20,6	23,6	0,1152	80	280	22,8	25,8	0,1332	90	235	20,8	23,8	0,1170	110	255	21,7	24,7	0,1242	135	280	22,8	25,8	0,1332	225 x	180	235	27,1	30,1	0,1692	BFL	280		-	57	14,4	16,1	0,0679		BFL	-	-	9,8	11,5	0,0246		-	-	10,3	12	0,0287		-	-	10,8	12,5		0,0338		-	5		11,4		13,1	0,0390		-			20		12,1			13,8		0,0451			-		30			12,5	14,2				0,0492	-		37	12,9				14,6	0,0523	-	57	13,8				15,5	0,0605	-	80	14,8				16,5	0,0697	-	105	15,9				18,9	0,0800	-	130	17				20	0,0902	10	155	17,4			20,4	0,0882	15	160	17,6	20,6	0,0900		35	180	18,4	21,4	0,0972	50	195	19,1	22,1	0,1026	60	205	19,5	22,5	0,1062	70	230	20,6	23,6	0,1152	80	280	22,8	25,8	0,1332	90	235	20,8	23,8	0,1170	110	255	21,7	24,7	0,1242	135	280	22,8	25,8	0,1332	225 x	180	235	27,1	30,1	0,1692	BFL	280		-	80	15,4	17,1	0,0782		BFL	-	-	9,8	11,5	0,0246		-	-	10,3	12	0,0287	-	-	10,8		12,5	0,0338	-	5		11,4		13,1	0,0390		-		20	12,1		13,8			0,0451		-			30		12,5				14,2	0,0492					-	37		12,9	14,6					0,0523	-	57	13,8				15,5	0,0605	-	80	14,8				16,5	0,0697	-	105	15,9				18,9	0,0800	-	130	17				20	0,0902	10	155	17,4			20,4	0,0882	15	160	17,6	20,6	0,0900		35	180	18,4	21,4	0,0972	50	195	19,1	22,1	0,1026	60	205	19,5	22,5	0,1062	70	230	20,6	23,6	0,1152	80	280	22,8	25,8	0,1332	90	235	20,8	23,8	0,1170	110	255	21,7	24,7	0,1242	135	280	22,8	25,8	0,1332	225 x	180	235	27,1	30,1	0,1692	BFL	280		-	105	16,6	19,6	0,0897		BFL	-	-	9,8	11,5	0,0246		-	-	10,3	12	0,0287	-	-	10,8	12,5	0,0338	-		5	11,4	13,1	0,0390		-		20	12,1		13,8		0,0451	-		30			12,5		14,2				0,0492		-				37		12,9			14,6	0,0523					-	57		13,8				15,5	0,0605	-	80	14,8				16,5	0,0697	-	105	15,9				18,9	0,0800	-	130	17				20	0,0902	10	155	17,4			20,4	0,0882	15	160	17,6	20,6	0,0900		35	180	18,4	21,4	0,0972	50	195	19,1	22,1	0,1026	60	205	19,5	22,5	0,1062	70	230	20,6	23,6	0,1152	80	280	22,8	25,8	0,1332	90	235	20,8	23,8	0,1170	110	255	21,7	24,7	0,1242	135	280	22,8	25,8	0,1332	225 x	180	235	27,1	30,1	0,1692	BFL	280		-	130	17,8	20,8	0,1012		BFL	-	-	9,8	11,5	0,0246		-	-	10,3	12	0,0287	-	-	10,8	12,5	0,0338	-	5	11,4	13,1		0,0390	-	20	12,1		13,8		0,0451	-		30		12,5	14,2		0,0492			-			37			12,9			14,6				0,0523	-						57	13,8		15,5				0,0605		-	80	14,8				16,5	0,0697	-	105	15,9				18,9	0,0800	-	130	17				20	0,0902	10	155	17,4			20,4	0,0882	15	160	17,6	20,6	0,0900		35	180	18,4	21,4	0,0972	50	195	19,1	22,1	0,1026	60	205	19,5	22,5	0,1062	70	230	20,6	23,6	0,1152	80	280	22,8	25,8	0,1332	90	235	20,8	23,8	0,1170	110	255	21,7	24,7	0,1242	135	280	22,8	25,8	0,1332	225 x	180	235	27,1	30,1	0,1692	BFL	280		-	155	18,9	21,9	0,1127		BFL	-	-	9,8	11,5	0,0246		-	-	10,3	12	0,0287	-	-	10,8	12,5	0,0338	-	5	11,4	13,1	0,0390	-	20		12,1	13,8	0,0451	-		30		12,5	14,2		0,0492		-	37		12,9				14,6		0,0523					-		57						13,8	15,5			0,0605				-		80	14,8					16,5	0,0697	-	105	15,9				18,9	0,0800	-	130	17				20	0,0902	10	155	17,4			20,4	0,0882	15	160	17,6	20,6	0,0900		35	180	18,4	21,4	0,0972	50	195	19,1	22,1	0,1026	60	205	19,5	22,5	0,1062	70	230	20,6	23,6	0,1152	80	280	22,8	25,8	0,1332	90	235	20,8	23,8	0,1170	110	255	21,7	24,7	0,1242	135	280	22																																																																																																																																																																																																																																																																																																																																																																																																																																																																																																																																																																																																																																																																																															
	-	-	10,8	12,5		0,0338		-	5		11,4		13,1	0,0390		-			20		12,1			13,8		0,0451			-		30			12,5	14,2				0,0492	-		37	12,9				14,6	0,0523	-	57	13,8				15,5	0,0605	-	80	14,8				16,5	0,0697	-	105	15,9				18,9	0,0800	-	130	17				20	0,0902	10	155	17,4			20,4	0,0882	15	160	17,6	20,6	0,0900		35	180	18,4	21,4	0,0972	50	195	19,1	22,1	0,1026	60	205	19,5	22,5	0,1062	70	230	20,6	23,6	0,1152	80	280	22,8	25,8	0,1332	90	235	20,8	23,8	0,1170	110	255	21,7	24,7	0,1242	135	280	22,8	25,8	0,1332	225 x	180	235	27,1	30,1	0,1692	BFL	280		-	57	14,4	16,1	0,0679		BFL		-	-	9,8	11,5	0,0246			-	-	10,3	12	0,0287		-	-	10,8	12,5	0,0338		-	5	11,4	13,1		0,0390		-	20		12,1		13,8	0,0451		-			30		12,5			14,2		0,0492			-		37			12,9	14,6				0,0523	-		57	13,8				15,5	0,0605	-	80	14,8				16,5	0,0697	-	105	15,9				18,9	0,0800	-	130	17				20	0,0902	10	155	17,4			20,4	0,0882	15	160	17,6	20,6	0,0900		35	180	18,4	21,4	0,0972	50	195	19,1	22,1	0,1026	60	205	19,5	22,5	0,1062	70	230	20,6	23,6	0,1152	80	280	22,8	25,8	0,1332	90	235	20,8	23,8	0,1170	110	255	21,7	24,7	0,1242	135	280	22,8	25,8	0,1332	225 x	180	235	27,1	30,1	0,1692	BFL	280		-	80	15,4	17,1	0,0782		BFL		-	-	9,8	11,5	0,0246			-	-	10,3	12	0,0287		-	-	10,8	12,5	0,0338	-	5	11,4		13,1	0,0390	-	20		12,1		13,8	0,0451		-		30	12,5		14,2			0,0492		-			37		12,9				14,6	0,0523					-	57		13,8	15,5					0,0605	-	80	14,8				16,5	0,0697	-	105	15,9				18,9	0,0800	-	130	17				20	0,0902	10	155	17,4			20,4	0,0882	15	160	17,6	20,6	0,0900		35	180	18,4	21,4	0,0972	50	195	19,1	22,1	0,1026	60	205	19,5	22,5	0,1062	70	230	20,6	23,6	0,1152	80	280	22,8	25,8	0,1332	90	235	20,8	23,8	0,1170	110	255	21,7	24,7	0,1242	135	280	22,8	25,8	0,1332	225 x	180	235	27,1	30,1	0,1692	BFL	280		-	105	16,6	19,6	0,0897		BFL		-	-	9,8	11,5	0,0246			-	-	10,3	12	0,0287		-	-	10,8	12,5	0,0338	-	5	11,4	13,1	0,0390	-		20	12,1	13,8	0,0451		-		30	12,5		14,2		0,0492	-		37			12,9		14,6				0,0523		-				57		13,8			15,5	0,0605					-	80		14,8				16,5	0,0697	-	105	15,9				18,9	0,0800	-	130	17				20	0,0902	10	155	17,4			20,4	0,0882	15	160	17,6	20,6	0,0900		35	180	18,4	21,4	0,0972	50	195	19,1	22,1	0,1026	60	205	19,5	22,5	0,1062	70	230	20,6	23,6	0,1152	80	280	22,8	25,8	0,1332	90	235	20,8	23,8	0,1170	110	255	21,7	24,7	0,1242	135	280	22,8	25,8	0,1332	225 x	180	235	27,1	30,1	0,1692	BFL	280		-	130	17,8	20,8	0,1012		BFL		-	-	9,8	11,5	0,0246			-	-	10,3	12	0,0287		-	-	10,8	12,5	0,0338	-	5	11,4	13,1	0,0390	-	20	12,1	13,8		0,0451	-	30	12,5		14,2		0,0492	-		37		12,9	14,6		0,0523			-			57			13,8			15,5				0,0605	-						80	14,8		16,5				0,0697		-	105	15,9				18,9	0,0800	-	130	17				20	0,0902	10	155	17,4			20,4	0,0882	15	160	17,6	20,6	0,0900		35	180	18,4	21,4	0,0972	50	195	19,1	22,1	0,1026	60	205	19,5	22,5	0,1062	70	230	20,6	23,6	0,1152	80	280	22,8	25,8	0,1332	90	235	20,8	23,8	0,1170	110	255	21,7	24,7	0,1242	135	280	22,8	25,8	0,1332	225 x	180	235	27,1	30,1	0,1692	BFL	280		-	155	18,9	21,9	0,1127		BFL		-	-	9,8	11,5	0,0246			-	-	10,3	12	0,0287		-	-	10,8	12,5	0,0338	-	5	11,4	13,1	0,0390	-	20	12,1	13,8	0,0451	-	30		12,5	14,2	0,0492	-		37		12,9	14,6		0,0523		-	57		13,8				15,5		0,0605					-		80						14,8	16,5			0,0697				-		105	15,9					18,9	0,0800	-	130	17				20	0,0902	10	155	17,4			20,4	0,0882	15	160	17,6	20,6	0,0900		35	180	18,4	21,4	0,0972	50	195	19,1	22,1	0,1026	60	205	19,5	22,5	0,1062	70	230	20,6	23,6	0,1152	80	280	22,8	25,8	0,1332	90	235	20,8	23,8	0,1170	110	255	21,7	24,7	0,1242	135	280	22																																																																																																																																																																																																																																																																																																																																																																																																																																																																																																																																																																																																																																																																																																							
	-	5	11,4	13,1		0,0390		-	20		12,1		13,8	0,0451		-			30		12,5			14,2		0,0492			-		37			12,9	14,6				0,0523	-		57	13,8				15,5	0,0605	-	80	14,8				16,5	0,0697	-	105	15,9				18,9	0,0800	-	130	17				20	0,0902	10	155	17,4			20,4	0,0882	15	160	17,6	20,6	0,0900		35	180	18,4	21,4	0,0972	50	195	19,1	22,1	0,1026	60	205	19,5	22,5	0,1062	70	230	20,6	23,6	0,1152	80	280	22,8	25,8	0,1332	90	235	20,8	23,8	0,1170	110	255	21,7	24,7	0,1242	135	280	22,8	25,8	0,1332	225 x	180	235	27,1	30,1	0,1692	BFL	280		-	57	14,4	16,1	0,0679		BFL		-	-	9,8	11,5	0,0246				-	-	10,3	12	0,0287			-	-	10,8	12,5	0,0338		-	5	11,4	13,1	0,0390		-	20	12,1	13,8		0,0451		-	30		12,5		14,2	0,0492		-			37		12,9			14,6		0,0523			-		57			13,8	15,5				0,0605	-		80	14,8				16,5	0,0697	-	105	15,9				18,9	0,0800	-	130	17				20	0,0902	10	155	17,4			20,4	0,0882	15	160	17,6	20,6	0,0900		35	180	18,4	21,4	0,0972	50	195	19,1	22,1	0,1026	60	205	19,5	22,5	0,1062	70	230	20,6	23,6	0,1152	80	280	22,8	25,8	0,1332	90	235	20,8	23,8	0,1170	110	255	21,7	24,7	0,1242	135	280	22,8	25,8	0,1332	225 x	180	235	27,1	30,1	0,1692	BFL	280		-	80	15,4	17,1	0,0782		BFL		-	-	9,8	11,5	0,0246				-	-	10,3	12	0,0287			-	-	10,8	12,5	0,0338		-	5	11,4	13,1	0,0390	-	20	12,1		13,8	0,0451	-	30		12,5		14,2	0,0492		-		37	12,9		14,6			0,0523		-			57		13,8				15,5	0,0605					-	80		14,8	16,5					0,0697	-	105	15,9				18,9	0,0800	-	130	17				20	0,0902	10	155	17,4			20,4	0,0882	15	160	17,6	20,6	0,0900		35	180	18,4	21,4	0,0972	50	195	19,1	22,1	0,1026	60	205	19,5	22,5	0,1062	70	230	20,6	23,6	0,1152	80	280	22,8	25,8	0,1332	90	235	20,8	23,8	0,1170	110	255	21,7	24,7	0,1242	135	280	22,8	25,8	0,1332	225 x	180	235	27,1	30,1	0,1692	BFL	280		-	105	16,6	19,6	0,0897		BFL		-	-	9,8	11,5	0,0246				-	-	10,3	12	0,0287			-	-	10,8	12,5	0,0338		-	5	11,4	13,1	0,0390	-	20	12,1	13,8	0,0451	-		30	12,5	14,2	0,0492		-		37	12,9		14,6		0,0523	-		57			13,8		15,5				0,0605		-				80		14,8			16,5	0,0697					-	105		15,9				18,9	0,0800	-	130	17				20	0,0902	10	155	17,4			20,4	0,0882	15	160	17,6	20,6	0,0900		35	180	18,4	21,4	0,0972	50	195	19,1	22,1	0,1026	60	205	19,5	22,5	0,1062	70	230	20,6	23,6	0,1152	80	280	22,8	25,8	0,1332	90	235	20,8	23,8	0,1170	110	255	21,7	24,7	0,1242	135	280	22,8	25,8	0,1332	225 x	180	235	27,1	30,1	0,1692	BFL	280		-	130	17,8	20,8	0,1012		BFL		-	-	9,8	11,5	0,0246				-	-	10,3	12	0,0287			-	-	10,8	12,5	0,0338		-	5	11,4	13,1	0,0390	-	20	12,1	13,8	0,0451	-	30	12,5	14,2		0,0492	-	37	12,9		14,6		0,0523	-		57		13,8	15,5		0,0605			-			80			14,8			16,5				0,0697	-						105	15,9		18,9				0,0800		-	130	17				20	0,0902	10	155	17,4			20,4	0,0882	15	160	17,6	20,6	0,0900		35	180	18,4	21,4	0,0972	50	195	19,1	22,1	0,1026	60	205	19,5	22,5	0,1062	70	230	20,6	23,6	0,1152	80	280	22,8	25,8	0,1332	90	235	20,8	23,8	0,1170	110	255	21,7	24,7	0,1242	135	280	22,8	25,8	0,1332	225 x	180	235	27,1	30,1	0,1692	BFL	280		-	155	18,9	21,9	0,1127		BFL		-	-	9,8	11,5	0,0246				-	-	10,3	12	0,0287			-	-	10,8	12,5	0,0338		-	5	11,4	13,1	0,0390	-	20	12,1	13,8	0,0451	-	30	12,5	14,2	0,0492	-	37		12,9	14,6	0,0523	-		57		13,8	15,5		0,0605		-	80		14,8				16,5		0,0697					-		105						15,9	18,9			0,0800				-		130	17					20	0,0902	10	155	17,4			20,4	0,0882	15	160	17,6	20,6	0,0900		35	180	18,4	21,4	0,0972	50	195	19,1	22,1	0,1026	60	205	19,5	22,5	0,1062	70	230	20,6	23,6	0,1152	80	280	22,8	25,8	0,1332	90	235	20,8	23,8	0,1170	110	255	21,7	24,7	0,1242	135	280	22																																																																																																																																																																																																																																																																																																																																																																																																																																																																																																																																																																																																																																																																																																															
	-	20	12,1	13,8		0,0451		-	30		12,5		14,2	0,0492		-			37		12,9			14,6		0,0523			-		57			13,8	15,5				0,0605	-		80	14,8				16,5	0,0697	-	105	15,9				18,9	0,0800	-	130	17				20	0,0902	10	155	17,4			20,4	0,0882	15	160	17,6	20,6	0,0900		35	180	18,4	21,4	0,0972	50	195	19,1	22,1	0,1026	60	205	19,5	22,5	0,1062	70	230	20,6	23,6	0,1152	80	280	22,8	25,8	0,1332	90	235	20,8	23,8	0,1170	110	255	21,7	24,7	0,1242	135	280	22,8	25,8	0,1332	225 x	180	235	27,1	30,1	0,1692	BFL	280		-	57	14,4	16,1	0,0679		BFL		-	-	9,8	11,5	0,0246				-	-	10,3	12	0,0287				-	-	10,8	12,5	0,0338			-	5	11,4	13,1	0,0390		-	20	12,1	13,8	0,0451		-	30	12,5	14,2		0,0492		-	37		12,9		14,6	0,0523		-			57		13,8			15,5		0,0605			-		80			14,8	16,5				0,0697	-		105	15,9				18,9	0,0800	-	130	17				20	0,0902	10	155	17,4			20,4	0,0882	15	160	17,6	20,6	0,0900		35	180	18,4	21,4	0,0972	50	195	19,1	22,1	0,1026	60	205	19,5	22,5	0,1062	70	230	20,6	23,6	0,1152	80	280	22,8	25,8	0,1332	90	235	20,8	23,8	0,1170	110	255	21,7	24,7	0,1242	135	280	22,8	25,8	0,1332	225 x	180	235	27,1	30,1	0,1692	BFL	280		-	80	15,4	17,1	0,0782		BFL		-	-	9,8	11,5	0,0246				-	-	10,3	12	0,0287				-	-	10,8	12,5	0,0338			-	5	11,4	13,1	0,0390		-	20	12,1	13,8	0,0451	-	30	12,5		14,2	0,0492	-	37		12,9		14,6	0,0523		-		57	13,8		15,5			0,0605		-			80		14,8				16,5	0,0697					-	105		15,9	18,9					0,0800	-	130	17				20	0,0902	10	155	17,4			20,4	0,0882	15	160	17,6	20,6	0,0900		35	180	18,4	21,4	0,0972	50	195	19,1	22,1	0,1026	60	205	19,5	22,5	0,1062	70	230	20,6	23,6	0,1152	80	280	22,8	25,8	0,1332	90	235	20,8	23,8	0,1170	110	255	21,7	24,7	0,1242	135	280	22,8	25,8	0,1332	225 x	180	235	27,1	30,1	0,1692	BFL	280		-	105	16,6	19,6	0,0897		BFL		-	-	9,8	11,5	0,0246				-	-	10,3	12	0,0287				-	-	10,8	12,5	0,0338			-	5	11,4	13,1	0,0390		-	20	12,1	13,8	0,0451	-	30	12,5	14,2	0,0492	-		37	12,9	14,6	0,0523		-		57	13,8		15,5		0,0605	-		80			14,8		16,5				0,0697		-				105		15,9			18,9	0,0800					-	130		17				20	0,0902	10	155	17,4			20,4	0,0882	15	160	17,6	20,6	0,0900		35	180	18,4	21,4	0,0972	50	195	19,1	22,1	0,1026	60	205	19,5	22,5	0,1062	70	230	20,6	23,6	0,1152	80	280	22,8	25,8	0,1332	90	235	20,8	23,8	0,1170	110	255	21,7	24,7	0,1242	135	280	22,8	25,8	0,1332	225 x	180	235	27,1	30,1	0,1692	BFL	280		-	130	17,8	20,8	0,1012		BFL		-	-	9,8	11,5	0,0246				-	-	10,3	12	0,0287				-	-	10,8	12,5	0,0338			-	5	11,4	13,1	0,0390		-	20	12,1	13,8	0,0451	-	30	12,5	14,2	0,0492	-	37	12,9	14,6		0,0523	-	57	13,8		15,5		0,0605	-		80		14,8	16,5		0,0697			-			105			15,9			18,9				0,0800	-						130	17		20				0,0902		10	155	17,4			20,4	0,0882	15	160	17,6	20,6	0,0900		35	180	18,4	21,4	0,0972	50	195	19,1	22,1	0,1026	60	205	19,5	22,5	0,1062	70	230	20,6	23,6	0,1152	80	280	22,8	25,8	0,1332	90	235	20,8	23,8	0,1170	110	255	21,7	24,7	0,1242	135	280	22,8	25,8	0,1332	225 x	180	235	27,1	30,1	0,1692	BFL	280		-	155	18,9	21,9	0,1127		BFL		-	-	9,8	11,5	0,0246				-	-	10,3	12	0,0287				-	-	10,8	12,5	0,0338			-	5	11,4	13,1	0,0390		-	20	12,1	13,8	0,0451	-	30	12,5	14,2	0,0492	-	37	12,9	14,6	0,0523	-	57		13,8	15,5	0,0605	-		80		14,8	16,5		0,0697		-	105		15,9				18,9		0,0800					-		130						17	20			0,0902				10		155	17,4				20,4	0,0882	15	160	17,6	20,6	0,0900		35	180	18,4	21,4	0,0972	50	195	19,1	22,1	0,1026	60	205	19,5	22,5	0,1062	70	230	20,6	23,6	0,1152	80	280	22,8	25,8	0,1332	90	235	20,8	23,8	0,1170	110	255	21,7	24,7	0,1242	135	280	22																																																																																																																																																																																																																																																																																																																																																																																																																																																																																																																																																																																																																																																																																																																							
	-	30	12,5	14,2		0,0492		-	37		12,9		14,6	0,0523		-			57		13,8			15,5		0,0605			-		80			14,8	16,5				0,0697	-		105	15,9				18,9	0,0800	-	130	17				20	0,0902	10	155	17,4			20,4	0,0882	15	160	17,6	20,6	0,0900		35	180	18,4	21,4	0,0972	50	195	19,1	22,1	0,1026	60	205	19,5	22,5	0,1062	70	230	20,6	23,6	0,1152	80	280	22,8	25,8	0,1332	90	235	20,8	23,8	0,1170	110	255	21,7	24,7	0,1242	135	280	22,8	25,8	0,1332	225 x	180	235	27,1	30,1	0,1692	BFL	280		-	57	14,4	16,1	0,0679		BFL		-	-	9,8	11,5	0,0246				-	-	10,3	12	0,0287				-	-	10,8	12,5	0,0338				-	5	11,4	13,1	0,0390			-	20	12,1	13,8	0,0451		-	30	12,5	14,2	0,0492		-	37	12,9	14,6		0,0523		-	57		13,8		15,5	0,0605		-			80		14,8			16,5		0,0697			-		105			15,9	18,9				0,0800	-		130	17				20	0,0902	10	155	17,4			20,4	0,0882	15	160	17,6	20,6	0,0900		35	180	18,4	21,4	0,0972	50	195	19,1	22,1	0,1026	60	205	19,5	22,5	0,1062	70	230	20,6	23,6	0,1152	80	280	22,8	25,8	0,1332	90	235	20,8	23,8	0,1170	110	255	21,7	24,7	0,1242	135	280	22,8	25,8	0,1332	225 x	180	235	27,1	30,1	0,1692	BFL	280		-	80	15,4	17,1	0,0782		BFL		-	-	9,8	11,5	0,0246				-	-	10,3	12	0,0287				-	-	10,8	12,5	0,0338				-	5	11,4	13,1	0,0390			-	20	12,1	13,8	0,0451		-	30	12,5	14,2	0,0492	-	37	12,9		14,6	0,0523	-	57		13,8		15,5	0,0605		-		80	14,8		16,5			0,0697		-			105		15,9				18,9	0,0800					-	130		17	20					0,0902	10	155	17,4			20,4	0,0882	15	160	17,6	20,6	0,0900		35	180	18,4	21,4	0,0972	50	195	19,1	22,1	0,1026	60	205	19,5	22,5	0,1062	70	230	20,6	23,6	0,1152	80	280	22,8	25,8	0,1332	90	235	20,8	23,8	0,1170	110	255	21,7	24,7	0,1242	135	280	22,8	25,8	0,1332	225 x	180	235	27,1	30,1	0,1692	BFL	280		-	105	16,6	19,6	0,0897		BFL		-	-	9,8	11,5	0,0246				-	-	10,3	12	0,0287				-	-	10,8	12,5	0,0338				-	5	11,4	13,1	0,0390			-	20	12,1	13,8	0,0451		-	30	12,5	14,2	0,0492	-	37	12,9	14,6	0,0523	-		57	13,8	15,5	0,0605		-		80	14,8		16,5		0,0697	-		105			15,9		18,9				0,0800		-				130		17			20	0,0902					10	155		17,4			20,4	0,0882	15	160	17,6	20,6	0,0900		35	180	18,4	21,4	0,0972	50	195	19,1	22,1	0,1026	60	205	19,5	22,5	0,1062	70	230	20,6	23,6	0,1152	80	280	22,8	25,8	0,1332	90	235	20,8	23,8	0,1170	110	255	21,7	24,7	0,1242	135	280	22,8	25,8	0,1332	225 x	180	235	27,1	30,1	0,1692	BFL	280		-	130	17,8	20,8	0,1012		BFL		-	-	9,8	11,5	0,0246				-	-	10,3	12	0,0287				-	-	10,8	12,5	0,0338				-	5	11,4	13,1	0,0390			-	20	12,1	13,8	0,0451		-	30	12,5	14,2	0,0492	-	37	12,9	14,6	0,0523	-	57	13,8	15,5		0,0605	-	80	14,8		16,5		0,0697	-		105		15,9	18,9		0,0800			-			130			17			20				0,0902	10						155	17,4		20,4			0,0882	15		160	17,6	20,6	0,0900		35	180	18,4	21,4	0,0972	50	195	19,1	22,1	0,1026	60	205	19,5	22,5	0,1062	70	230	20,6	23,6	0,1152	80	280	22,8	25,8	0,1332	90	235	20,8	23,8	0,1170	110	255	21,7	24,7	0,1242	135	280	22,8	25,8	0,1332	225 x	180	235	27,1	30,1	0,1692	BFL	280		-	155	18,9	21,9	0,1127		BFL		-	-	9,8	11,5	0,0246				-	-	10,3	12	0,0287				-	-	10,8	12,5	0,0338				-	5	11,4	13,1	0,0390			-	20	12,1	13,8	0,0451		-	30	12,5	14,2	0,0492	-	37	12,9	14,6	0,0523	-	57	13,8	15,5	0,0605	-	80		14,8	16,5	0,0697	-		105		15,9	18,9		0,0800		-	130		17				20		0,0902					10		155						17,4	20,4			0,0882			15	160		17,6	20,6		0,0900		35	180	18,4	21,4	0,0972	50	195	19,1	22,1	0,1026	60	205	19,5	22,5	0,1062	70	230	20,6	23,6	0,1152	80	280	22,8	25,8	0,1332	90	235	20,8	23,8	0,1170	110	255	21,7	24,7	0,1242	135	280	22																																																																																																																																																																																																																																																																																																																																																																																																																																																																																																																																																																																																																																																																																																																															
	-	37	12,9	14,6		0,0523		-	57		13,8		15,5	0,0605		-			80		14,8			16,5		0,0697			-		105			15,9	18,9				0,0800	-		130	17				20	0,0902	10	155	17,4			20,4	0,0882	15	160	17,6	20,6	0,0900		35	180	18,4	21,4	0,0972	50	195	19,1	22,1	0,1026	60	205	19,5	22,5	0,1062	70	230	20,6	23,6	0,1152	80	280	22,8	25,8	0,1332	90	235	20,8	23,8	0,1170	110	255	21,7	24,7	0,1242	135	280	22,8	25,8	0,1332	225 x	180	235	27,1	30,1	0,1692	BFL	280		-	57	14,4	16,1	0,0679		BFL		-	-	9,8	11,5	0,0246				-	-	10,3	12	0,0287				-	-	10,8	12,5	0,0338				-	5	11,4	13,1	0,0390				-	20	12,1	13,8	0,0451			-	30	12,5	14,2	0,0492		-	37	12,9	14,6	0,0523		-	57	13,8	15,5		0,0605		-	80		14,8		16,5	0,0697		-			105		15,9			18,9		0,0800			-		130			17	20				0,0902	10		155	17,4			20,4	0,0882	15	160	17,6	20,6	0,0900		35	180	18,4	21,4	0,0972	50	195	19,1	22,1	0,1026	60	205	19,5	22,5	0,1062	70	230	20,6	23,6	0,1152	80	280	22,8	25,8	0,1332	90	235	20,8	23,8	0,1170	110	255	21,7	24,7	0,1242	135	280	22,8	25,8	0,1332	225 x	180	235	27,1	30,1	0,1692	BFL	280		-	80	15,4	17,1	0,0782		BFL		-	-	9,8	11,5	0,0246				-	-	10,3	12	0,0287				-	-	10,8	12,5	0,0338				-	5	11,4	13,1	0,0390				-	20	12,1	13,8	0,0451			-	30	12,5	14,2	0,0492		-	37	12,9	14,6	0,0523	-	57	13,8		15,5	0,0605	-	80		14,8		16,5	0,0697		-		105	15,9		18,9			0,0800		-			130		17				20	0,0902					10	155		17,4	20,4			0,0882		15	160	17,6	20,6	0,0900		35	180	18,4	21,4	0,0972	50	195	19,1	22,1	0,1026	60	205	19,5	22,5	0,1062	70	230	20,6	23,6	0,1152	80	280	22,8	25,8	0,1332	90	235	20,8	23,8	0,1170	110	255	21,7	24,7	0,1242	135	280	22,8	25,8	0,1332	225 x	180	235	27,1	30,1	0,1692	BFL	280		-	105	16,6	19,6	0,0897		BFL		-	-	9,8	11,5	0,0246				-	-	10,3	12	0,0287				-	-	10,8	12,5	0,0338				-	5	11,4	13,1	0,0390				-	20	12,1	13,8	0,0451			-	30	12,5	14,2	0,0492		-	37	12,9	14,6	0,0523	-	57	13,8	15,5	0,0605	-		80	14,8	16,5	0,0697		-		105	15,9		18,9		0,0800	-		130			17		20				0,0902		10				155		17,4			20,4	0,0882			15		160	17,6		20,6	0,0900		35	180	18,4	21,4	0,0972	50	195	19,1	22,1	0,1026	60	205	19,5	22,5	0,1062	70	230	20,6	23,6	0,1152	80	280	22,8	25,8	0,1332	90	235	20,8	23,8	0,1170	110	255	21,7	24,7	0,1242	135	280	22,8	25,8	0,1332	225 x	180	235	27,1	30,1	0,1692	BFL	280		-	130	17,8	20,8	0,1012		BFL		-	-	9,8	11,5	0,0246				-	-	10,3	12	0,0287				-	-	10,8	12,5	0,0338				-	5	11,4	13,1	0,0390				-	20	12,1	13,8	0,0451			-	30	12,5	14,2	0,0492		-	37	12,9	14,6	0,0523	-	57	13,8	15,5	0,0605	-	80	14,8	16,5		0,0697	-	105	15,9		18,9		0,0800	-		130		17	20		0,0902			10			155			17,4			20,4				0,0882	15				160		17,6	20,6		0,0900	35		180	18,4		21,4	0,0972	50	195	19,1	22,1	0,1026	60	205	19,5	22,5	0,1062	70	230	20,6	23,6	0,1152	80	280	22,8	25,8	0,1332	90	235	20,8	23,8	0,1170	110	255	21,7	24,7	0,1242	135	280	22,8	25,8	0,1332	225 x	180	235	27,1	30,1	0,1692	BFL	280		-	155	18,9	21,9	0,1127		BFL		-	-	9,8	11,5	0,0246				-	-	10,3	12	0,0287				-	-	10,8	12,5	0,0338				-	5	11,4	13,1	0,0390				-	20	12,1	13,8	0,0451			-	30	12,5	14,2	0,0492		-	37	12,9	14,6	0,0523	-	57	13,8	15,5	0,0605	-	80	14,8	16,5	0,0697	-	105		15,9	18,9	0,0800	-		130		17	20		0,0902		10	155		17,4				20,4		0,0882					15		160					17,6	20,6	0,0900			35	180		18,4	21,4		0,0972	50		195	19,1	22,1	0,1026	60	205	19,5	22,5	0,1062	70	230	20,6	23,6	0,1152	80	280	22,8	25,8	0,1332	90	235	20,8	23,8	0,1170	110	255	21,7	24,7	0,1242	135	280	22																																																																																																																																																																																																																																																																																																																																																																																																																																																																																																																																																																																																																																																																																																																																							
	-	57	13,8	15,5		0,0605		-	80		14,8		16,5	0,0697		-			105		15,9			18,9		0,0800			-		130			17	20				0,0902	10		155	17,4			20,4	0,0882	15	160	17,6	20,6	0,0900		35	180	18,4	21,4	0,0972	50	195	19,1	22,1	0,1026	60	205	19,5	22,5	0,1062	70	230	20,6	23,6	0,1152	80	280	22,8	25,8	0,1332	90	235	20,8	23,8	0,1170	110	255	21,7	24,7	0,1242	135	280	22,8	25,8	0,1332	225 x	180	235	27,1	30,1	0,1692	BFL	280		-	57	14,4	16,1	0,0679		BFL		-	-	9,8	11,5	0,0246				-	-	10,3	12	0,0287				-	-	10,8	12,5	0,0338				-	5	11,4	13,1	0,0390				-	20	12,1	13,8	0,0451				-	30	12,5	14,2	0,0492			-	37	12,9	14,6	0,0523		-	57	13,8	15,5	0,0605		-	80	14,8	16,5		0,0697		-	105		15,9		18,9	0,0800		-			130		17			20		0,0902			10		155			17,4	20,4			0,0882	15	160		17,6	20,6	0,0900		35	180	18,4	21,4	0,0972	50	195	19,1	22,1	0,1026	60	205	19,5	22,5	0,1062	70	230	20,6	23,6	0,1152	80	280	22,8	25,8	0,1332	90	235	20,8	23,8	0,1170	110	255	21,7	24,7	0,1242	135	280	22,8	25,8	0,1332	225 x	180	235	27,1	30,1	0,1692	BFL	280		-	80	15,4	17,1	0,0782		BFL		-	-	9,8	11,5	0,0246				-	-	10,3	12	0,0287				-	-	10,8	12,5	0,0338				-	5	11,4	13,1	0,0390				-	20	12,1	13,8	0,0451				-	30	12,5	14,2	0,0492			-	37	12,9	14,6	0,0523		-	57	13,8	15,5	0,0605	-	80	14,8		16,5	0,0697	-	105		15,9		18,9	0,0800		-		130	17		20			0,0902		10			155		17,4				20,4	0,0882				15	160	17,6		20,6	0,0900	35		180		18,4	21,4	0,0972	50	195	19,1	22,1	0,1026	60	205	19,5	22,5	0,1062	70	230	20,6	23,6	0,1152	80	280	22,8	25,8	0,1332	90	235	20,8	23,8	0,1170	110	255	21,7	24,7	0,1242	135	280	22,8	25,8	0,1332	225 x	180	235	27,1	30,1	0,1692	BFL	280		-	105	16,6	19,6	0,0897		BFL		-	-	9,8	11,5	0,0246				-	-	10,3	12	0,0287				-	-	10,8	12,5	0,0338				-	5	11,4	13,1	0,0390				-	20	12,1	13,8	0,0451				-	30	12,5	14,2	0,0492			-	37	12,9	14,6	0,0523		-	57	13,8	15,5	0,0605	-	80	14,8	16,5	0,0697	-		105	15,9	18,9	0,0800		-		130	17		20		0,0902	10		155			17,4		20,4				0,0882		15				160	17,6	20,6			0,0900	35	180		18,4		21,4	0,0972		50	195	19,1	22,1	0,1026	60	205	19,5	22,5	0,1062	70	230	20,6	23,6	0,1152	80	280	22,8	25,8	0,1332	90	235	20,8	23,8	0,1170	110	255	21,7	24,7	0,1242	135	280	22,8	25,8	0,1332	225 x	180	235	27,1	30,1	0,1692	BFL	280		-	130	17,8	20,8	0,1012		BFL		-	-	9,8	11,5	0,0246				-	-	10,3	12	0,0287				-	-	10,8	12,5	0,0338				-	5	11,4	13,1	0,0390				-	20	12,1	13,8	0,0451				-	30	12,5	14,2	0,0492			-	37	12,9	14,6	0,0523		-	57	13,8	15,5	0,0605	-	80	14,8	16,5	0,0697	-	105	15,9	18,9		0,0800	-	130	17		20		0,0902	10		155		17,4	20,4		0,0882			15			160			17,6			20,6	0,0900			35	180		18,4		21,4		0,0972	50		195	19,1	22,1	0,1026	60		205	19,5	22,5	0,1062	70	230	20,6	23,6	0,1152	80	280	22,8	25,8	0,1332	90	235	20,8	23,8	0,1170	110	255	21,7	24,7	0,1242	135	280	22,8	25,8	0,1332	225 x	180	235	27,1	30,1	0,1692	BFL	280		-	155	18,9	21,9	0,1127		BFL		-	-	9,8	11,5	0,0246				-	-	10,3	12	0,0287				-	-	10,8	12,5	0,0338				-	5	11,4	13,1	0,0390				-	20	12,1	13,8	0,0451				-	30	12,5	14,2	0,0492			-	37	12,9	14,6	0,0523		-	57	13,8	15,5	0,0605	-	80	14,8	16,5	0,0697	-	105	15,9	18,9	0,0800	-	130		17	20	0,0902	10		155		17,4	20,4		0,0882		15	160		17,6				20,6		0,0900				35	180		18,4			21,4		0,0972	50	195			19,1	22,1	0,1026	60	205		19,5	22,5		0,1062	70	230	20,6	23,6	0,1152	80	280	22,8	25,8	0,1332	90	235	20,8	23,8	0,1170	110	255	21,7	24,7	0,1242	135	280	22																																																																																																																																																																																																																																																																																																																																																																																																																																																																																																																																																																																																																																																																																																																																															
	-	80	14,8	16,5		0,0697		-	105		15,9		18,9	0,0800		-			130		17			20		0,0902			10		155			17,4	20,4			0,0882	15	160		17,6	20,6	0,0900		35	180	18,4	21,4	0,0972	50	195	19,1	22,1	0,1026	60	205	19,5	22,5	0,1062	70	230	20,6	23,6	0,1152	80	280	22,8	25,8	0,1332	90	235	20,8	23,8	0,1170	110	255	21,7	24,7	0,1242	135	280	22,8	25,8	0,1332	225 x	180	235	27,1	30,1	0,1692	BFL	280		-	57	14,4	16,1	0,0679		BFL		-	-	9,8	11,5	0,0246				-	-	10,3	12	0,0287				-	-	10,8	12,5	0,0338				-	5	11,4	13,1	0,0390				-	20	12,1	13,8	0,0451				-	30	12,5	14,2	0,0492				-	37	12,9	14,6	0,0523			-	57	13,8	15,5	0,0605		-	80	14,8	16,5	0,0697		-	105	15,9	18,9		0,0800		-	130		17		20	0,0902		10			155		17,4			20,4		0,0882			15	160	17,6			20,6	0,0900	35		180	18,4	21,4		0,0972	50	195	19,1	22,1	0,1026	60	205	19,5	22,5	0,1062	70	230	20,6	23,6	0,1152	80	280	22,8	25,8	0,1332	90	235	20,8	23,8	0,1170	110	255	21,7	24,7	0,1242	135	280	22,8	25,8	0,1332	225 x	180	235	27,1	30,1	0,1692	BFL	280		-	80	15,4	17,1	0,0782		BFL		-	-	9,8	11,5	0,0246				-	-	10,3	12	0,0287				-	-	10,8	12,5	0,0338				-	5	11,4	13,1	0,0390				-	20	12,1	13,8	0,0451				-	30	12,5	14,2	0,0492				-	37	12,9	14,6	0,0523			-	57	13,8	15,5	0,0605		-	80	14,8	16,5	0,0697	-	105	15,9		18,9	0,0800	-	130		17		20	0,0902		10		155	17,4		20,4			0,0882		15			160		17,6	20,6			0,0900	35		180		18,4	21,4	0,0972		50	195	19,1	22,1	0,1026		60	205	19,5	22,5	0,1062	70	230	20,6	23,6	0,1152	80	280	22,8	25,8	0,1332	90	235	20,8	23,8	0,1170	110	255	21,7	24,7	0,1242	135	280	22,8	25,8	0,1332	225 x	180	235	27,1	30,1	0,1692	BFL	280		-	105	16,6	19,6	0,0897		BFL		-	-	9,8	11,5	0,0246				-	-	10,3	12	0,0287				-	-	10,8	12,5	0,0338				-	5	11,4	13,1	0,0390				-	20	12,1	13,8	0,0451				-	30	12,5	14,2	0,0492				-	37	12,9	14,6	0,0523			-	57	13,8	15,5	0,0605		-	80	14,8	16,5	0,0697	-	105	15,9	18,9	0,0800	-		130	17	20	0,0902		10		155	17,4		20,4		0,0882	15		160			17,6		20,6			0,0900	35		180			18,4	21,4	0,0972	50			195	19,1	22,1	0,1026	60		205	19,5		22,5	0,1062	70	230	20,6	23,6	0,1152	80	280	22,8	25,8	0,1332	90	235	20,8	23,8	0,1170	110	255	21,7	24,7	0,1242	135	280	22,8	25,8	0,1332	225 x	180	235	27,1	30,1	0,1692	BFL	280		-	130	17,8	20,8	0,1012		BFL		-	-	9,8	11,5	0,0246				-	-	10,3	12	0,0287				-	-	10,8	12,5	0,0338				-	5	11,4	13,1	0,0390				-	20	12,1	13,8	0,0451				-	30	12,5	14,2	0,0492				-	37	12,9	14,6	0,0523			-	57	13,8	15,5	0,0605		-	80	14,8	16,5	0,0697	-	105	15,9	18,9	0,0800	-	130	17	20		0,0902	10	155	17,4		20,4		0,0882	15		160		17,6	20,6		0,0900			35		180	18,4			21,4		0,0972	50	195			19,1	22,1		0,1026	60	205		19,5	22,5		0,1062	70	230	20,6	23,6		0,1152	80	280	22,8	25,8	0,1332	90	235	20,8	23,8	0,1170	110	255	21,7	24,7	0,1242	135	280	22,8	25,8	0,1332	225 x	180	235	27,1	30,1	0,1692	BFL	280		-	155	18,9	21,9	0,1127		BFL		-	-	9,8	11,5	0,0246				-	-	10,3	12	0,0287				-	-	10,8	12,5	0,0338				-	5	11,4	13,1	0,0390				-	20	12,1	13,8	0,0451				-	30	12,5	14,2	0,0492				-	37	12,9	14,6	0,0523			-	57	13,8	15,5	0,0605		-	80	14,8	16,5	0,0697	-	105	15,9	18,9	0,0800	-	130	17	20	0,0902	10	155		17,4	20,4	0,0882	15		160		17,6	20,6		0,0900		35	180		18,4		21,4		0,0972		50		195		19,1	22,1		0,1026			60	205	19,5	22,5	0,1062			70	230	20,6	23,6	0,1152		80	280		22,8	25,8	0,1332	90	235	20,8	23,8	0,1170	110	255	21,7	24,7	0,1242	135	280	22																																																																																																																																																																																																																																																																																																																																																																																																																																																																																																																																																																																																																																																																																																																																																							
	-	105	15,9	18,9		0,0800		-	130		17		20	0,0902		10			155		17,4			20,4		0,0882			15	160	17,6			20,6	0,0900	35		180	18,4	21,4		0,0972	50	195	19,1	22,1	0,1026	60	205	19,5	22,5	0,1062	70	230	20,6	23,6	0,1152	80	280	22,8	25,8	0,1332	90	235	20,8	23,8	0,1170	110	255	21,7	24,7	0,1242	135	280	22,8	25,8	0,1332	225 x	180	235	27,1	30,1	0,1692	BFL	280		-	57	14,4	16,1	0,0679		BFL		-	-	9,8	11,5	0,0246				-	-	10,3	12	0,0287				-	-	10,8	12,5	0,0338				-	5	11,4	13,1	0,0390				-	20	12,1	13,8	0,0451				-	30	12,5	14,2	0,0492				-	37	12,9	14,6	0,0523				-	57	13,8	15,5	0,0605			-	80	14,8	16,5	0,0697		-	105	15,9	18,9	0,0800		-	130	17	20		0,0902		10	155		17,4		20,4	0,0882		15			160		17,6			20,6	0,0900	35			180	18,4	21,4	0,0972		50	195	19,1		22,1	0,1026	60	205	19,5	22,5	0,1062	70	230	20,6	23,6	0,1152	80	280	22,8	25,8	0,1332	90	235	20,8	23,8	0,1170	110	255	21,7	24,7	0,1242	135	280	22,8	25,8	0,1332	225 x	180	235	27,1	30,1	0,1692	BFL	280		-	80	15,4	17,1	0,0782		BFL		-	-	9,8	11,5	0,0246				-	-	10,3	12	0,0287				-	-	10,8	12,5	0,0338				-	5	11,4	13,1	0,0390				-	20	12,1	13,8	0,0451				-	30	12,5	14,2	0,0492				-	37	12,9	14,6	0,0523				-	57	13,8	15,5	0,0605			-	80	14,8	16,5	0,0697		-	105	15,9	18,9	0,0800	-	130	17		20	0,0902	10	155		17,4		20,4	0,0882		15		160	17,6		20,6			0,0900		35			180	18,4	21,4	0,0972			50	195	19,1	22,1		0,1026	60	205		19,5	22,5	0,1062	70	230	20,6	23,6	0,1152	80	280	22,8	25,8	0,1332	90	235	20,8	23,8	0,1170	110	255	21,7	24,7	0,1242	135	280	22,8	25,8	0,1332	225 x	180	235	27,1	30,1	0,1692	BFL	280		-	105	16,6	19,6	0,0897		BFL		-	-	9,8	11,5	0,0246				-	-	10,3	12	0,0287				-	-	10,8	12,5	0,0338				-	5	11,4	13,1	0,0390				-	20	12,1	13,8	0,0451				-	30	12,5	14,2	0,0492				-	37	12,9	14,6	0,0523				-	57	13,8	15,5	0,0605			-	80	14,8	16,5	0,0697		-	105	15,9	18,9	0,0800	-	130	17	20	0,0902	10		155	17,4	20,4	0,0882		15		160	17,6		20,6		0,0900	35		180			18,4		21,4			0,0972	50	195	19,1			22,1	0,1026	60	205	19,5		22,5	0,1062	70	230	20,6		23,6	0,1152	80	280	22,8	25,8	0,1332	90	235	20,8	23,8	0,1170	110	255	21,7	24,7	0,1242	135	280	22,8	25,8	0,1332	225 x	180	235	27,1	30,1	0,1692	BFL	280		-	130	17,8	20,8	0,1012		BFL		-	-	9,8	11,5	0,0246				-	-	10,3	12	0,0287				-	-	10,8	12,5	0,0338				-	5	11,4	13,1	0,0390				-	20	12,1	13,8	0,0451				-	30	12,5	14,2	0,0492				-	37	12,9	14,6	0,0523				-	57	13,8	15,5	0,0605			-	80	14,8	16,5	0,0697		-	105	15,9	18,9	0,0800	-	130	17	20	0,0902	10	155	17,4	20,4		0,0882	15	160	17,6		20,6		0,0900	35		180		18,4	21,4		0,0972			50		195	19,1			22,1	0,1026	60	205	19,5			22,5	0,1062	70	230	20,6	23,6		0,1152	80		280	22,8	25,8	0,1332	90	235	20,8	23,8	0,1170	110	255	21,7	24,7	0,1242	135	280	22,8	25,8	0,1332	225 x	180	235	27,1	30,1	0,1692	BFL	280		-	155	18,9	21,9	0,1127		BFL		-	-	9,8	11,5	0,0246				-	-	10,3	12	0,0287				-	-	10,8	12,5	0,0338				-	5	11,4	13,1	0,0390				-	20	12,1	13,8	0,0451				-	30	12,5	14,2	0,0492				-	37	12,9	14,6	0,0523				-	57	13,8	15,5	0,0605			-	80	14,8	16,5	0,0697		-	105	15,9	18,9	0,0800	-	130	17	20	0,0902	10	155	17,4	20,4	0,0882	15	160		17,6	20,6	0,0900	35		180		18,4	21,4		0,0972		50	195		19,1		22,1		0,1026		60		205		19,5	22,5	0,1062	70			230	20,6	23,6	0,1152	80	280		22,8	25,8	0,1332	90	235		20,8	23,8	0,1170	110	255	21,7	24,7	0,1242	135	280	22																																																																																																																																																																																																																																																																																																																																																																																																																																																																																																																																																																																																																																																																																																																																																															
	-	130	17	20		0,0902		10	155		17,4		20,4	0,0882		15			160		17,6			20,6	0,0900	35			180	18,4	21,4	0,0972		50	195	19,1		22,1	0,1026	60	205	19,5	22,5	0,1062	70	230	20,6	23,6	0,1152	80	280	22,8	25,8	0,1332	90	235	20,8	23,8	0,1170	110	255	21,7	24,7	0,1242	135	280	22,8	25,8	0,1332	225 x	180	235	27,1	30,1	0,1692	BFL	280		-	57	14,4	16,1	0,0679		BFL		-	-	9,8	11,5	0,0246				-	-	10,3	12	0,0287				-	-	10,8	12,5	0,0338				-	5	11,4	13,1	0,0390				-	20	12,1	13,8	0,0451				-	30	12,5	14,2	0,0492				-	37	12,9	14,6	0,0523				-	57	13,8	15,5	0,0605				-	80	14,8	16,5	0,0697			-	105	15,9	18,9	0,0800		-	130	17	20	0,0902		10	155	17,4	20,4		0,0882		15	160		17,6		20,6	0,0900		35			180	18,4	21,4			0,0972	50	195	19,1		22,1	0,1026	60	205		19,5	22,5	0,1062	70	230	20,6	23,6	0,1152	80	280	22,8	25,8	0,1332	90	235	20,8	23,8	0,1170	110	255	21,7	24,7	0,1242	135	280	22,8	25,8	0,1332	225 x	180	235	27,1	30,1	0,1692	BFL	280		-	80	15,4	17,1	0,0782		BFL		-	-	9,8	11,5	0,0246				-	-	10,3	12	0,0287				-	-	10,8	12,5	0,0338				-	5	11,4	13,1	0,0390				-	20	12,1	13,8	0,0451				-	30	12,5	14,2	0,0492				-	37	12,9	14,6	0,0523				-	57	13,8	15,5	0,0605				-	80	14,8	16,5	0,0697			-	105	15,9	18,9	0,0800		-	130	17	20	0,0902	10	155	17,4		20,4	0,0882	15	160		17,6		20,6	0,0900		35		180	18,4		21,4			0,0972	50	195			19,1	22,1	0,1026	60	205		19,5	22,5	0,1062	70		230	20,6	23,6	0,1152	80	280	22,8	25,8	0,1332	90	235	20,8	23,8	0,1170	110	255	21,7	24,7	0,1242	135	280	22,8	25,8	0,1332	225 x	180	235	27,1	30,1	0,1692	BFL	280		-	105	16,6	19,6	0,0897		BFL		-	-	9,8	11,5	0,0246				-	-	10,3	12	0,0287				-	-	10,8	12,5	0,0338				-	5	11,4	13,1	0,0390				-	20	12,1	13,8	0,0451				-	30	12,5	14,2	0,0492				-	37	12,9	14,6	0,0523				-	57	13,8	15,5	0,0605				-	80	14,8	16,5	0,0697			-	105	15,9	18,9	0,0800		-	130	17	20	0,0902	10	155	17,4	20,4	0,0882	15		160	17,6	20,6	0,0900		35		180	18,4		21,4		0,0972	50		195			19,1	22,1	0,1026			60	205	19,5	22,5	0,1062		70	230	20,6	23,6	0,1152		80	280	22,8	25,8	0,1332	90	235	20,8	23,8	0,1170	110	255	21,7	24,7	0,1242	135	280	22,8	25,8	0,1332	225 x	180	235	27,1	30,1	0,1692	BFL	280		-	130	17,8	20,8	0,1012		BFL		-	-	9,8	11,5	0,0246				-	-	10,3	12	0,0287				-	-	10,8	12,5	0,0338				-	5	11,4	13,1	0,0390				-	20	12,1	13,8	0,0451				-	30	12,5	14,2	0,0492				-	37	12,9	14,6	0,0523				-	57	13,8	15,5	0,0605				-	80	14,8	16,5	0,0697			-	105	15,9	18,9	0,0800		-	130	17	20	0,0902	10	155	17,4	20,4	0,0882	15	160	17,6	20,6		0,0900	35	180	18,4		21,4		0,0972	50		195		19,1	22,1		0,1026			60	205	19,5	22,5			0,1062	70	230	20,6	23,6	0,1152		80	280	22,8	25,8	0,1332	90		235	20,8	23,8	0,1170	110	255	21,7	24,7	0,1242	135	280	22,8	25,8	0,1332	225 x	180	235	27,1	30,1	0,1692	BFL	280		-	155	18,9	21,9	0,1127		BFL		-	-	9,8	11,5	0,0246				-	-	10,3	12	0,0287				-	-	10,8	12,5	0,0338				-	5	11,4	13,1	0,0390				-	20	12,1	13,8	0,0451				-	30	12,5	14,2	0,0492				-	37	12,9	14,6	0,0523				-	57	13,8	15,5	0,0605				-	80	14,8	16,5	0,0697			-	105	15,9	18,9	0,0800		-	130	17	20	0,0902	10	155	17,4	20,4	0,0882	15	160	17,6	20,6	0,0900	35	180		18,4	21,4	0,0972	50		195		19,1	22,1		0,1026		60	205		19,5		22,5		0,1062	70	230		20,6		23,6	0,1152	80	280	22,8		25,8	0,1332	90	235	20,8	23,8		0,1170	110	255	21,7	24,7	0,1242	135	280	22																																																																																																																																																																																																																																																																																																																																																																																																																																																																																																																																																																																																																																																																																																																																																																							
	10	155	17,4	20,4		0,0882		15	160		17,6		20,6	0,0900		35			180	18,4	21,4			0,0972	50	195	19,1		22,1	0,1026	60	205		19,5	22,5	0,1062	70	230	20,6	23,6	0,1152	80	280	22,8	25,8	0,1332	90	235	20,8	23,8	0,1170	110	255	21,7	24,7	0,1242	135	280	22,8	25,8	0,1332	225 x	180	235	27,1	30,1	0,1692	BFL	280		-	57	14,4	16,1	0,0679		BFL		-	-	9,8	11,5	0,0246				-	-	10,3	12	0,0287				-	-	10,8	12,5	0,0338				-	5	11,4	13,1	0,0390				-	20	12,1	13,8	0,0451				-	30	12,5	14,2	0,0492				-	37	12,9	14,6	0,0523				-	57	13,8	15,5	0,0605				-	80	14,8	16,5	0,0697				-	105	15,9	18,9	0,0800			-	130	17	20	0,0902		10	155	17,4	20,4	0,0882		15	160	17,6	20,6		0,0900		35	180		18,4		21,4	0,0972	50	195			19,1	22,1	0,1026	60		205	19,5	22,5	0,1062		70	230	20,6	23,6	0,1152	80	280	22,8	25,8	0,1332	90	235	20,8	23,8	0,1170	110	255	21,7	24,7	0,1242	135	280	22,8	25,8	0,1332	225 x	180	235	27,1	30,1	0,1692	BFL	280		-	80	15,4	17,1	0,0782		BFL		-	-	9,8	11,5	0,0246				-	-	10,3	12	0,0287				-	-	10,8	12,5	0,0338				-	5	11,4	13,1	0,0390				-	20	12,1	13,8	0,0451				-	30	12,5	14,2	0,0492				-	37	12,9	14,6	0,0523				-	57	13,8	15,5	0,0605				-	80	14,8	16,5	0,0697				-	105	15,9	18,9	0,0800			-	130	17	20	0,0902		10	155	17,4	20,4	0,0882	15	160	17,6		20,6	0,0900	35	180		18,4		21,4	0,0972		50		195	19,1	22,1	0,1026			60	205	19,5	22,5		0,1062	70	230	20,6	23,6		0,1152	80	280	22,8	25,8	0,1332	90	235	20,8	23,8	0,1170	110	255	21,7	24,7	0,1242	135	280	22,8	25,8	0,1332	225 x	180	235	27,1	30,1	0,1692	BFL	280		-	105	16,6	19,6	0,0897		BFL		-	-	9,8	11,5	0,0246				-	-	10,3	12	0,0287				-	-	10,8	12,5	0,0338				-	5	11,4	13,1	0,0390				-	20	12,1	13,8	0,0451				-	30	12,5	14,2	0,0492				-	37	12,9	14,6	0,0523				-	57	13,8	15,5	0,0605				-	80	14,8	16,5	0,0697				-	105	15,9	18,9	0,0800			-	130	17	20	0,0902		10	155	17,4	20,4	0,0882	15	160	17,6	20,6	0,0900	35		180	18,4	21,4	0,0972		50		195	19,1		22,1		0,1026	60	205	19,5			22,5	0,1062	70	230		20,6	23,6	0,1152	80	280		22,8	25,8	0,1332	90	235	20,8	23,8	0,1170	110	255	21,7	24,7	0,1242	135	280	22,8	25,8	0,1332	225 x	180	235	27,1	30,1	0,1692	BFL	280		-	130	17,8	20,8	0,1012		BFL		-	-	9,8	11,5	0,0246				-	-	10,3	12	0,0287				-	-	10,8	12,5	0,0338				-	5	11,4	13,1	0,0390				-	20	12,1	13,8	0,0451				-	30	12,5	14,2	0,0492				-	37	12,9	14,6	0,0523				-	57	13,8	15,5	0,0605				-	80	14,8	16,5	0,0697				-	105	15,9	18,9	0,0800			-	130	17	20	0,0902		10	155	17,4	20,4	0,0882	15	160	17,6	20,6	0,0900	35	180	18,4	21,4		0,0972	50	195	19,1		22,1		0,1026	60		205		19,5	22,5	0,1062	70			230	20,6	23,6	0,1152	80		280	22,8	25,8	0,1332	90	235		20,8	23,8	0,1170	110	255	21,7	24,7	0,1242	135	280	22,8	25,8	0,1332	225 x	180	235	27,1	30,1	0,1692	BFL	280		-	155	18,9	21,9	0,1127		BFL		-	-	9,8	11,5	0,0246				-	-	10,3	12	0,0287				-	-	10,8	12,5	0,0338				-	5	11,4	13,1	0,0390				-	20	12,1	13,8	0,0451				-	30	12,5	14,2	0,0492				-	37	12,9	14,6	0,0523				-	57	13,8	15,5	0,0605				-	80	14,8	16,5	0,0697				-	105	15,9	18,9	0,0800			-	130	17	20	0,0902		10	155	17,4	20,4	0,0882	15	160	17,6	20,6	0,0900	35	180	18,4	21,4	0,0972	50	195		19,1	22,1	0,1026	60		205		19,5	22,5		0,1062		70	230	20,6	23,6		0,1152		80	280	22,8	25,8	0,1332		90	235	20,8	23,8	0,1170		110	255	21,7	24,7	0,1242	135	280	22																																																																																																																																																																																																																																																																																																																																																																																																																																																																																																																																																																																																																																																																																																																																																																															
	15	160	17,6	20,6		0,0900		35	180		18,4		21,4	0,0972	50	195			19,1	22,1	0,1026	60		205	19,5	22,5	0,1062		70	230	20,6	23,6	0,1152	80	280	22,8	25,8	0,1332	90	235	20,8	23,8	0,1170	110	255	21,7	24,7	0,1242	135	280	22,8	25,8	0,1332	225 x	180	235	27,1	30,1	0,1692	BFL	280		-	57	14,4	16,1	0,0679		BFL		-	-	9,8	11,5	0,0246				-	-	10,3	12	0,0287				-	-	10,8	12,5	0,0338				-	5	11,4	13,1	0,0390				-	20	12,1	13,8	0,0451				-	30	12,5	14,2	0,0492				-	37	12,9	14,6	0,0523				-	57	13,8	15,5	0,0605				-	80	14,8	16,5	0,0697				-	105	15,9	18,9	0,0800				-	130	17	20	0,0902			10	155	17,4	20,4	0,0882		15	160	17,6	20,6	0,0900		35	180	18,4	21,4		0,0972		50	195	19,1	22,1		0,1026	60	205	19,5	22,5		0,1062	70	230	20,6		23,6	0,1152	80	280	22,8	25,8	0,1332	90	235	20,8	23,8	0,1170	110	255	21,7	24,7	0,1242	135	280	22,8	25,8	0,1332	225 x	180	235	27,1	30,1	0,1692	BFL	280		-	80	15,4	17,1	0,0782		BFL		-	-	9,8	11,5	0,0246				-	-	10,3	12	0,0287				-	-	10,8	12,5	0,0338				-	5	11,4	13,1	0,0390				-	20	12,1	13,8	0,0451				-	30	12,5	14,2	0,0492				-	37	12,9	14,6	0,0523				-	57	13,8	15,5	0,0605				-	80	14,8	16,5	0,0697				-	105	15,9	18,9	0,0800				-	130	17	20	0,0902			10	155	17,4	20,4	0,0882		15	160	17,6	20,6	0,0900	35	180	18,4		21,4	0,0972	50	195		19,1		22,1	0,1026	60	205		19,5	22,5	0,1062	70	230		20,6	23,6	0,1152	80		280	22,8	25,8	0,1332	90	235	20,8	23,8	0,1170	110	255	21,7	24,7	0,1242	135	280	22,8	25,8	0,1332	225 x	180	235	27,1	30,1	0,1692	BFL	280		-	105	16,6	19,6	0,0897		BFL		-	-	9,8	11,5	0,0246				-	-	10,3	12	0,0287				-	-	10,8	12,5	0,0338				-	5	11,4	13,1	0,0390				-	20	12,1	13,8	0,0451				-	30	12,5	14,2	0,0492				-	37	12,9	14,6	0,0523				-	57	13,8	15,5	0,0605				-	80	14,8	16,5	0,0697				-	105	15,9	18,9	0,0800				-	130	17	20	0,0902			10	155	17,4	20,4	0,0882		15	160	17,6	20,6	0,0900	35	180	18,4	21,4	0,0972	50		195	19,1	22,1	0,1026		60		205	19,5	22,5	0,1062		70	230	20,6	23,6	0,1152		80	280	22,8	25,8		0,1332	90	235	20,8	23,8	0,1170	110	255	21,7	24,7	0,1242	135	280	22,8	25,8	0,1332	225 x	180	235	27,1	30,1	0,1692	BFL	280		-	130	17,8	20,8	0,1012		BFL		-	-	9,8	11,5	0,0246				-	-	10,3	12	0,0287				-	-	10,8	12,5	0,0338				-	5	11,4	13,1	0,0390				-	20	12,1	13,8	0,0451				-	30	12,5	14,2	0,0492				-	37	12,9	14,6	0,0523				-	57	13,8	15,5	0,0605				-	80	14,8	16,5	0,0697				-	105	15,9	18,9	0,0800				-	130	17	20	0,0902			10	155	17,4	20,4	0,0882		15	160	17,6	20,6	0,0900	35	180	18,4	21,4	0,0972	50	195	19,1	22,1		0,1026	60	205	19,5		22,5		0,1062	70	230	20,6		23,6	0,1152	80	280	22,8		25,8	0,1332	90	235	20,8		23,8	0,1170	110	255	21,7	24,7	0,1242	135	280	22,8	25,8	0,1332	225 x	180	235	27,1	30,1	0,1692	BFL	280		-	155	18,9	21,9	0,1127		BFL		-	-	9,8	11,5	0,0246				-	-	10,3	12	0,0287				-	-	10,8	12,5	0,0338				-	5	11,4	13,1	0,0390				-	20	12,1	13,8	0,0451				-	30	12,5	14,2	0,0492				-	37	12,9	14,6	0,0523				-	57	13,8	15,5	0,0605				-	80	14,8	16,5	0,0697				-	105	15,9	18,9	0,0800				-	130	17	20	0,0902			10	155	17,4	20,4	0,0882		15	160	17,6	20,6	0,0900	35	180	18,4	21,4	0,0972	50	195	19,1	22,1	0,1026	60	205		19,5	22,5	0,1062	70		230		20,6	23,6	0,1152	80		280	22,8	25,8	0,1332	90	235		20,8	23,8	0,1170	110	255		21,7	24,7	0,1242	135	280	22																																																																																																																																																																																																																																																																																																																																																																																																																																																																																																																																																																																																																																																																																																																																																																																							
	35	180	18,4	21,4		0,0972		50	195	19,1	22,1		0,1026	60	205	19,5	22,5		0,1062	70	230	20,6		23,6	0,1152	80	280	22,8	25,8	0,1332	90	235	20,8	23,8	0,1170	110	255	21,7	24,7	0,1242	135	280	22,8	25,8	0,1332	225 x	180	235	27,1	30,1	0,1692	BFL	280		-	57	14,4	16,1	0,0679		BFL		-	-	9,8	11,5	0,0246				-	-	10,3	12	0,0287				-	-	10,8	12,5	0,0338				-	5	11,4	13,1	0,0390				-	20	12,1	13,8	0,0451				-	30	12,5	14,2	0,0492				-	37	12,9	14,6	0,0523				-	57	13,8	15,5	0,0605				-	80	14,8	16,5	0,0697				-	105	15,9	18,9	0,0800				-	130	17	20	0,0902				10	155	17,4	20,4	0,0882			15	160	17,6	20,6	0,0900		35	180	18,4	21,4	0,0972		50	195	19,1	22,1	0,1026	60		205	19,5	22,5	0,1062	70	230	20,6	23,6	0,1152	80		280	22,8	25,8	0,1332	90	235	20,8	23,8	0,1170	110	255	21,7	24,7	0,1242	135	280	22,8	25,8	0,1332	225 x	180	235	27,1	30,1	0,1692	BFL	280		-	80	15,4	17,1	0,0782		BFL		-	-	9,8	11,5	0,0246				-	-	10,3	12	0,0287				-	-	10,8	12,5	0,0338				-	5	11,4	13,1	0,0390				-	20	12,1	13,8	0,0451				-	30	12,5	14,2	0,0492				-	37	12,9	14,6	0,0523				-	57	13,8	15,5	0,0605				-	80	14,8	16,5	0,0697				-	105	15,9	18,9	0,0800				-	130	17	20	0,0902				10	155	17,4	20,4	0,0882			15	160	17,6	20,6	0,0900		35	180	18,4	21,4	0,0972	50	195	19,1		22,1	0,1026	60	205	19,5	22,5		0,1062	70	230	20,6	23,6	0,1152	80	280	22,8	25,8		0,1332	90	235	20,8	23,8	0,1170	110	255	21,7	24,7	0,1242	135	280	22,8	25,8	0,1332	225 x	180	235	27,1	30,1	0,1692	BFL	280		-	105	16,6	19,6	0,0897		BFL		-	-	9,8	11,5	0,0246				-	-	10,3	12	0,0287				-	-	10,8	12,5	0,0338				-	5	11,4	13,1	0,0390				-	20	12,1	13,8	0,0451				-	30	12,5	14,2	0,0492				-	37	12,9	14,6	0,0523				-	57	13,8	15,5	0,0605				-	80	14,8	16,5	0,0697				-	105	15,9	18,9	0,0800				-	130	17	20	0,0902				10	155	17,4	20,4	0,0882			15	160	17,6	20,6	0,0900		35	180	18,4	21,4	0,0972	50	195	19,1	22,1	0,1026	60		205	19,5	22,5	0,1062	70	230		20,6	23,6	0,1152	80	280	22,8	25,8	0,1332	90	235		20,8	23,8	0,1170	110	255	21,7	24,7	0,1242	135	280	22,8	25,8	0,1332	225 x	180	235	27,1	30,1	0,1692	BFL	280		-	130	17,8	20,8	0,1012		BFL		-	-	9,8	11,5	0,0246				-	-	10,3	12	0,0287				-	-	10,8	12,5	0,0338				-	5	11,4	13,1	0,0390				-	20	12,1	13,8	0,0451				-	30	12,5	14,2	0,0492				-	37	12,9	14,6	0,0523				-	57	13,8	15,5	0,0605				-	80	14,8	16,5	0,0697				-	105	15,9	18,9	0,0800				-	130	17	20	0,0902				10	155	17,4	20,4	0,0882			15	160	17,6	20,6	0,0900		35	180	18,4	21,4	0,0972	50	195	19,1	22,1	0,1026	60	205	19,5	22,5		0,1062	70	230	20,6	23,6	0,1152		80	280	22,8	25,8	0,1332	90	235	20,8	23,8	0,1170		110	255	21,7	24,7	0,1242	135	280	22,8	25,8	0,1332	225 x	180	235	27,1	30,1	0,1692	BFL	280		-	155	18,9	21,9	0,1127		BFL		-	-	9,8	11,5	0,0246				-	-	10,3	12	0,0287				-	-	10,8	12,5	0,0338				-	5	11,4	13,1	0,0390				-	20	12,1	13,8	0,0451				-	30	12,5	14,2	0,0492				-	37	12,9	14,6	0,0523				-	57	13,8	15,5	0,0605				-	80	14,8	16,5	0,0697				-	105	15,9	18,9	0,0800				-	130	17	20	0,0902				10	155	17,4	20,4	0,0882			15	160	17,6	20,6	0,0900		35	180	18,4	21,4	0,0972	50	195	19,1	22,1	0,1026	60	205	19,5	22,5	0,1062	70	230		20,6	23,6	0,1152	80	280	22,8		25,8	0,1332	90	235	20,8	23,8	0,1170	110	255	21,7	24,7		0,1242	135	280	22																																																																																																																																																																																																																																																																																																																																																																																																																																																																																																																																																																																																																																																																																																																																																																																															
	50	195	19,1	22,1	0,1026	60		205	19,5	22,5	0,1062	70	230	20,6	23,6	0,1152	80		280	22,8	25,8	0,1332	90	235	20,8	23,8	0,1170	110	255	21,7	24,7	0,1242	135	280	22,8	25,8	0,1332	225 x	180	235	27,1	30,1	0,1692	BFL	280		-	57	14,4	16,1	0,0679		BFL		-	-	9,8	11,5	0,0246				-	-	10,3	12	0,0287				-	-	10,8	12,5	0,0338				-	5	11,4	13,1	0,0390				-	20	12,1	13,8	0,0451				-	30	12,5	14,2	0,0492				-	37	12,9	14,6	0,0523				-	57	13,8	15,5	0,0605				-	80	14,8	16,5	0,0697				-	105	15,9	18,9	0,0800				-	130	17	20	0,0902				10	155	17,4	20,4	0,0882				15	160	17,6	20,6	0,0900			35	180	18,4	21,4	0,0972		50	195	19,1	22,1	0,1026	60	205	19,5	22,5	0,1062	70	230	20,6	23,6	0,1152	80	280	22,8	25,8	0,1332	90	235	20,8	23,8	0,1170	110	255	21,7	24,7	0,1242	135	280	22,8	25,8	0,1332	225 x	180	235	27,1	30,1	0,1692	BFL	280		-	80	15,4	17,1	0,0782		BFL		-	-	9,8	11,5	0,0246				-	-	10,3	12	0,0287				-	-	10,8	12,5	0,0338				-	5	11,4	13,1	0,0390				-	20	12,1	13,8	0,0451				-	30	12,5	14,2	0,0492				-	37	12,9	14,6	0,0523				-	57	13,8	15,5	0,0605				-	80	14,8	16,5	0,0697				-	105	15,9	18,9	0,0800				-	130	17	20	0,0902				10	155	17,4	20,4	0,0882				15	160	17,6	20,6	0,0900			35	180	18,4	21,4	0,0972		50	195	19,1	22,1	0,1026	60	205	19,5	22,5	0,1062	70	230	20,6	23,6	0,1152	80	280	22,8	25,8	0,1332	90	235	20,8	23,8	0,1170	110	255	21,7	24,7	0,1242	135	280	22,8	25,8	0,1332	225 x	180	235	27,1	30,1	0,1692	BFL	280		-	105	16,6	19,6	0,0897		BFL		-	-	9,8	11,5	0,0246				-	-	10,3	12	0,0287				-	-	10,8	12,5	0,0338				-	5	11,4	13,1	0,0390				-	20	12,1	13,8	0,0451				-	30	12,5	14,2	0,0492				-	37	12,9	14,6	0,0523				-	57	13,8	15,5	0,0605				-	80	14,8	16,5	0,0697				-	105	15,9	18,9	0,0800				-	130	17	20	0,0902				10	155	17,4	20,4	0,0882				15	160	17,6	20,6	0,0900			35	180	18,4	21,4	0,0972		50	195	19,1	22,1	0,1026	60	205	19,5	22,5	0,1062	70	230	20,6	23,6	0,1152	80	280	22,8	25,8	0,1332	90	235	20,8	23,8	0,1170	110	255	21,7	24,7	0,1242	135	280	22,8	25,8	0,1332	225 x	180	235	27,1	30,1	0,1692	BFL	280		-	130	17,8	20,8	0,1012		BFL		-	-	9,8	11,5	0,0246				-	-	10,3	12	0,0287				-	-	10,8	12,5	0,0338				-	5	11,4	13,1	0,0390				-	20	12,1	13,8	0,0451				-	30	12,5	14,2	0,0492				-	37	12,9	14,6	0,0523				-	57	13,8	15,5	0,0605				-	80	14,8	16,5	0,0697				-	105	15,9	18,9	0,0800				-	130	17	20	0,0902				10	155	17,4	20,4	0,0882				15	160	17,6	20,6	0,0900			35	180	18,4	21,4	0,0972		50	195	19,1	22,1	0,1026	60	205	19,5	22,5	0,1062	70	230	20,6	23,6	0,1152	80	280	22,8	25,8	0,1332	90	235	20,8	23,8	0,1170	110	255	21,7	24,7	0,1242	135	280	22,8	25,8	0,1332	225 x	180	235	27,1	30,1	0,1692	BFL	280		-	155	18,9	21,9	0,1127		BFL		-	-	9,8	11,5	0,0246				-	-	10,3	12	0,0287				-	-	10,8	12,5	0,0338				-	5	11,4	13,1	0,0390				-	20	12,1	13,8	0,0451				-	30	12,5	14,2	0,0492				-	37	12,9	14,6	0,0523				-	57	13,8	15,5	0,0605				-	80	14,8	16,5	0,0697				-	105	15,9	18,9	0,0800				-	130	17	20	0,0902				10	155	17,4	20,4	0,0882				15	160	17,6	20,6	0,0900			35	180	18,4	21,4	0,0972		50	195	19,1	22,1	0,1026	60	205	19,5	22,5	0,1062	70	230	20,6	23,6	0,1152	80	280	22,8	25,8	0,1332	90	235	20,8	23,8	0,1170	110	255	21,7	24,7	0,1242	135	280	22																																																																																																																																																																																																																																																																																																																																																																																																																																																																																																																																																																																																																																																																																																																																																																																																							
60	205	19,5	22,5	0,1062	70	230	20,6	23,6	0,1152	80	280	22,8	25,8	0,1332	90	235	20,8	23,8	0,1170	110	255	21,7	24,7	0,1242	135	280	22,8	25,8	0,1332	225 x	180	235	27,1	30,1	0,1692	BFL	280		-	57	14,4	16,1	0,0679		BFL		-	-	9,8	11,5	0,0246				-	-	10,3	12	0,0287				-	-	10,8	12,5	0,0338				-	5	11,4	13,1	0,0390				-	20	12,1	13,8	0,0451				-	30	12,5	14,2	0,0492				-	37	12,9	14,6	0,0523				-	57	13,8	15,5	0,0605				-	80	14,8	16,5	0,0697				-	105	15,9	18,9	0,0800				-	130	17	20	0,0902				10	155	17,4	20,4	0,0882				15	160	17,6	20,6	0,0900				35	180	18,4	21,4	0,0972			50	195	19,1	22,1	0,1026		60	205	19,5	22,5	0,1062	70	230	20,6	23,6	0,1152	80	280	22,8	25,8	0,1332	90	235	20,8	23,8	0,1170	110	255	21,7	24,7	0,1242	135	280	22,8	25,8	0,1332	225 x	180	235	27,1	30,1		0,1692	BFL	280	-	80		15,4		17,1	0,0782	BFL	-	-				9,8	11,5	0,0246	-	-				10,3	12	0,0287	-	-				10,8	12,5	0,0338	-	5				11,4	13,1	0,0390	-	20				12,1	13,8	0,0451	-	30				12,5	14,2	0,0492	-	37				12,9	14,6	0,0523	-	57				13,8	15,5	0,0605	-	80				14,8	16,5	0,0697	-	105				15,9	18,9	0,0800	-	130				17	20	0,0902	10	155				17,4	20,4	0,0882	15	160				17,6	20,6	0,0900	35	180			18,4	21,4	0,0972	50	195		19,1	22,1	0,1026	60	205	19,5	22,5	0,1062	70	230	20,6	23,6	0,1152	80	280	22,8	25,8	0,1332	90	235	20,8	23,8	0,1170	110	255	21,7	24,7	0,1242	135	280	22,8	25,8	0,1332	225 x	180		235	27,1	30,1	0,1692	BFL		280		-	105	16,6	19,6	0,0897				BFL	-	-	9,8	11,5				0,0246	-	-	10,3	12				0,0287	-	-	10,8	12,5				0,0338	-	5	11,4	13,1				0,0390	-	20	12,1	13,8				0,0451	-	30	12,5	14,2				0,0492	-	37	12,9	14,6				0,0523	-	57	13,8	15,5				0,0605	-	80	14,8	16,5				0,0697	-	105	15,9	18,9				0,0800	-	130	17	20				0,0902	10	155	17,4	20,4				0,0882	15	160	17,6	20,6			0,0900	35	180	18,4	21,4		0,0972	50	195	19,1	22,1	0,1026	60	205	19,5	22,5	0,1062	70	230	20,6	23,6	0,1152	80	280	22,8	25,8	0,1332	90	235	20,8	23,8	0,1170	110	255	21,7	24,7	0,1242	135	280	22,8	25,8		0,1332	225 x	180	235	27,1		30,1		0,1692	BFL	280	-	130				17,8	20,8	0,1012	BFL	-				-	9,8	11,5	0,0246	-				-	10,3	12	0,0287	-				-	10,8	12,5	0,0338	-				5	11,4	13,1	0,0390	-				20	12,1	13,8	0,0451	-				30	12,5	14,2	0,0492	-				37	12,9	14,6	0,0523	-				57	13,8	15,5	0,0605	-				80	14,8	16,5	0,0697	-				105	15,9	18,9	0,0800	-				130	17	20	0,0902	10				155	17,4	20,4	0,0882	15			160	17,6	20,6	0,0900	35		180	18,4	21,4	0,0972	50	195	19,1	22,1	0,1026	60	205	19,5	22,5	0,1062	70	230	20,6	23,6	0,1152	80	280	22,8	25,8	0,1332	90	235	20,8	23,8	0,1170	110	255	21,7	24,7	0,1242	135		280	22,8	25,8	0,1332	225 x		180		235	27,1	30,1	0,1692	BFL				280	-	155	18,9	21,9				0,1127	BFL	-	-	9,8				11,5	0,0246	-	-	10,3				12	0,0287	-	-	10,8				12,5	0,0338	-	5	11,4				13,1	0,0390	-	20	12,1				13,8	0,0451	-	30	12,5				14,2	0,0492	-	37	12,9				14,6	0,0523	-	57	13,8				15,5	0,0605	-	80	14,8				16,5	0,0697	-	105	15,9				18,9	0,0800	-	130	17				20	0,0902	10	155	17,4			20,4	0,0882	15	160	17,6		20,6	0,0900	35	180	18,4	21,4	0,0972	50	195	19,1	22,1	0,1026	60	205	19,5	22,5	0,1062	70	230	20,6	23,6	0,1152	80	280	22,8	25,8	0,1332	90	235	20,8	23,8	0,1170	110	255	21,7	24,7	0,1242	135	280	22																																																																																																																																																																																																																																																																																																																																																																																																																																																																																																																																																																																																																																																																																																																																																																																																
70	230	20,6	23,6	0,1152	80	280	22,8	25,8	0,1332	90	235	20,8	23,8	0,1170	110	255	21,7	24,7	0,1242	135	280	22,8	25,8	0,1332	225 x	180	235	27,1	30,1		0,1692	BFL	280	-	57		14,4		16,1	0,0679	BFL	-	-				9,8	11,5	0,0246	-	-				10,3	12	0,0287	-	-				10,8	12,5	0,0338	-	5				11,4	13,1	0,0390	-	20				12,1	13,8	0,0451	-	30				12,5	14,2	0,0492	-	37				12,9	14,6	0,0523	-	57				13,8	15,5	0,0605	-	80				14,8	16,5	0,0697	-	105				15,9	18,9	0,0800	-	130				17	20	0,0902	10	155				17,4	20,4	0,0882	15	160				17,6	20,6	0,0900	35	180			18,4	21,4	0,0972	50	195	19,1	22,1		0,1026	60	205	19,5	22,5	0,1062	70	230	20,6	23,6	0,1152	80	280	22,8	25,8	0,1332	90	235	20,8	23,8	0,1170	110	255	21,7	24,7	0,1242	135	280	22,8	25,8	0,1332	225 x	180	235	27,1	30,1		0,1692	BFL	280	-		80		15,4	17,1	0,0782		BFL		-	-		9,8	11,5				0,0246	-	-	10,3	12				0,0287	-	-	10,8	12,5				0,0338	-	5	11,4	13,1				0,0390	-	20	12,1	13,8				0,0451	-	30	12,5	14,2				0,0492	-	37	12,9	14,6				0,0523	-	57	13,8	15,5				0,0605	-	80	14,8	16,5				0,0697	-	105	15,9	18,9				0,0800	-	130	17	20				0,0902	10	155	17,4	20,4				0,0882	15	160	17,6	20,6			0,0900	35	180	18,4	21,4	0,0972	50		195	19,1	22,1	0,1026	60	205	19,5	22,5	0,1062	70	230	20,6	23,6	0,1152	80	280	22,8	25,8	0,1332	90	235	20,8	23,8	0,1170	110	255	21,7	24,7	0,1242	135	280	22,8	25,8	0,1332	225 x	180	235	27,1	30,1		0,1692		BFL	280	-	105			16,6		19,6	0,0897	BFL	-	-					9,8	11,5	0,0246	-				-	10,3	12	0,0287	-				-	10,8	12,5	0,0338	-				5	11,4	13,1	0,0390	-				20	12,1	13,8	0,0451	-				30	12,5	14,2	0,0492	-				37	12,9	14,6	0,0523	-				57	13,8	15,5	0,0605	-				80	14,8	16,5	0,0697	-				105	15,9	18,9	0,0800	-				130	17	20	0,0902	10				155	17,4	20,4	0,0882	15			160	17,6	20,6	0,0900	35	180	18,4		21,4	0,0972	50	195	19,1	22,1	0,1026	60	205	19,5	22,5	0,1062	70	230	20,6	23,6	0,1152	80	280	22,8	25,8	0,1332	90	235	20,8	23,8	0,1170	110	255	21,7	24,7	0,1242	135	280	22,8	25,8	0,1332	225 x	180	235	27,1		30,1		0,1692	BFL	280		-		130		17,8	20,8	0,1012				BFL	-	-		9,8				11,5	0,0246	-	-	10,3				12	0,0287	-	-	10,8				12,5	0,0338	-	5	11,4				13,1	0,0390	-	20	12,1				13,8	0,0451	-	30	12,5				14,2	0,0492	-	37	12,9				14,6	0,0523	-	57	13,8				15,5	0,0605	-	80	14,8				16,5	0,0697	-	105	15,9				18,9	0,0800	-	130	17				20	0,0902	10	155	17,4			20,4	0,0882	15	160	17,6	20,6	0,0900		35	180	18,4	21,4	0,0972	50	195	19,1	22,1	0,1026	60	205	19,5	22,5	0,1062	70	230	20,6	23,6	0,1152	80	280	22,8	25,8	0,1332	90	235	20,8	23,8	0,1170	110	255	21,7	24,7	0,1242	135	280	22,8	25,8	0,1332	225 x		180	235	27,1	30,1			0,1692		BFL	280	-	155					18,9	21,9	0,1127	BFL	-				-		9,8	11,5	0,0246				-	-	10,3	12	0,0287				-	-	10,8	12,5	0,0338				-	5	11,4	13,1	0,0390				-	20	12,1	13,8	0,0451				-	30	12,5	14,2	0,0492				-	37	12,9	14,6	0,0523				-	57	13,8	15,5	0,0605				-	80	14,8	16,5	0,0697				-	105	15,9	18,9	0,0800				-	130	17	20	0,0902			10	155	17,4	20,4	0,0882	15	160		17,6	20,6	0,0900	35	180	18,4	21,4	0,0972	50	195	19,1	22,1	0,1026	60	205	19,5	22,5	0,1062	70	230	20,6	23,6	0,1152	80	280	22,8	25,8	0,1332	90	235	20,8	23,8	0,1170	110	255	21,7	24,7	0,1242	135	280	22																																																																																																																																																																																																																																																																																																																																																																																																																																																																																																																																																																																																																																																																																																																																																																																																					
80	280	22,8	25,8	0,1332	90	235	20,8	23,8	0,1170	110	255	21,7	24,7	0,1242	135	280	22,8	25,8	0,1332	225 x	180	235	27,1	30,1		0,1692	BFL	280	-		57		14,4	16,1	0,0679		BFL		-	-		9,8	11,5				0,0246	-	-	10,3	12				0,0287	-	-	10,8	12,5				0,0338	-	5	11,4	13,1				0,0390	-	20	12,1	13,8				0,0451	-	30	12,5	14,2				0,0492	-	37	12,9	14,6				0,0523	-	57	13,8	15,5				0,0605	-	80	14,8	16,5				0,0697	-	105	15,9	18,9				0,0800	-	130	17	20				0,0902	10	155	17,4	20,4				0,0882	15	160	17,6	20,6			0,0900	35	180	18,4	21,4	0,0972	50		195	19,1	22,1	0,1026	60	205	19,5	22,5	0,1062	70	230	20,6	23,6	0,1152	80	280	22,8	25,8	0,1332	90	235	20,8	23,8	0,1170	110	255	21,7	24,7	0,1242	135	280	22,8	25,8	0,1332	225 x	180	235	27,1	30,1		0,1692	BFL	280	-		80		15,4	17,1		0,0782		BFL	-	-				9,8	11,5		0,0246	-				-	10,3	12	0,0287	-				-	10,8	12,5	0,0338	-				5	11,4	13,1	0,0390	-				20	12,1	13,8	0,0451	-				30	12,5	14,2	0,0492	-				37	12,9	14,6	0,0523	-				57	13,8	15,5	0,0605	-				80	14,8	16,5	0,0697	-				105	15,9	18,9	0,0800	-				130	17	20	0,0902	10				155	17,4	20,4	0,0882	15			160	17,6	20,6	0,0900	35	180	18,4		21,4	0,0972	50	195	19,1	22,1	0,1026	60	205	19,5	22,5	0,1062	70	230	20,6	23,6	0,1152	80	280	22,8	25,8	0,1332	90	235	20,8	23,8	0,1170	110	255	21,7	24,7	0,1242	135	280	22,8	25,8	0,1332	225 x	180	235	27,1	30,1		0,1692	BFL	280	-		105			16,6	19,6	0,0897			BFL		-	-		9,8	11,5					0,0246	-	-	10,3				12	0,0287	-	-	10,8				12,5	0,0338	-	5	11,4				13,1	0,0390	-	20	12,1				13,8	0,0451	-	30	12,5				14,2	0,0492	-	37	12,9				14,6	0,0523	-	57	13,8				15,5	0,0605	-	80	14,8				16,5	0,0697	-	105	15,9				18,9	0,0800	-	130	17				20	0,0902	10	155	17,4			20,4	0,0882	15	160	17,6	20,6	0,0900		35	180	18,4	21,4	0,0972	50	195	19,1	22,1	0,1026	60	205	19,5	22,5	0,1062	70	230	20,6	23,6	0,1152	80	280	22,8	25,8	0,1332	90	235	20,8	23,8	0,1170	110	255	21,7	24,7	0,1242	135	280	22,8	25,8	0,1332	225 x	180	235	27,1	30,1		0,1692	BFL	280		-		130		17,8		20,8		0,1012		BFL	-	-					9,8	11,5		0,0246				-	-	10,3	12	0,0287				-	-	10,8	12,5	0,0338				-	5	11,4	13,1	0,0390				-	20	12,1	13,8	0,0451				-	30	12,5	14,2	0,0492				-	37	12,9	14,6	0,0523				-	57	13,8	15,5	0,0605				-	80	14,8	16,5	0,0697				-	105	15,9	18,9	0,0800				-	130	17	20	0,0902			10	155	17,4	20,4	0,0882	15	160		17,6	20,6	0,0900	35	180	18,4	21,4	0,0972	50	195	19,1	22,1	0,1026	60	205	19,5	22,5	0,1062	70	230	20,6	23,6	0,1152	80	280	22,8	25,8	0,1332	90	235	20,8	23,8	0,1170	110	255	21,7	24,7	0,1242	135	280	22,8	25,8	0,1332	225 x	180	235	27,1	30,1			0,1692	BFL	280	-			155			18,9	21,9	0,1127					BFL	-	-		9,8				11,5		0,0246	-	-				10,3	12	0,0287	-	-				10,8	12,5	0,0338	-	5				11,4	13,1	0,0390	-	20				12,1	13,8	0,0451	-	30				12,5	14,2	0,0492	-	37				12,9	14,6	0,0523	-	57				13,8	15,5	0,0605	-	80				14,8	16,5	0,0697	-	105				15,9	18,9	0,0800	-	130			17	20	0,0902	10	155	17,4	20,4		0,0882	15	160	17,6	20,6	0,0900	35	180	18,4	21,4	0,0972	50	195	19,1	22,1	0,1026	60	205	19,5	22,5	0,1062	70	230	20,6	23,6	0,1152	80	280	22,8	25,8	0,1332	90	235	20,8	23,8	0,1170	110	255	21,7	24,7	0,1242	135	280	22																																																																																																																																																																																																																																																																																																																																																																																																																																																																																																																																																																																																																																																																																																																																																																																																										
90	235	20,8	23,8	0,1170	110	255	21,7	24,7	0,1242	135	280	22,8	25,8	0,1332	225 x	180	235	27,1	30,1		0,1692	BFL	280	-		57		14,4	16,1		0,0679		BFL	-	-				9,8	11,5		0,0246	-				-	10,3	12	0,0287	-				-	10,8	12,5	0,0338	-				5	11,4	13,1	0,0390	-				20	12,1	13,8	0,0451	-				30	12,5	14,2	0,0492	-				37	12,9	14,6	0,0523	-				57	13,8	15,5	0,0605	-				80	14,8	16,5	0,0697	-				105	15,9	18,9	0,0800	-				130	17	20	0,0902	10				155	17,4	20,4	0,0882	15			160	17,6	20,6	0,0900	35	180	18,4		21,4	0,0972	50	195	19,1	22,1	0,1026	60	205	19,5	22,5	0,1062	70	230	20,6	23,6	0,1152	80	280	22,8	25,8	0,1332	90	235	20,8	23,8	0,1170	110	255	21,7	24,7	0,1242	135	280	22,8	25,8	0,1332	225 x	180	235	27,1	30,1		0,1692	BFL	280	-		80		15,4	17,1		0,0782		BFL	-		-			9,8	11,5				0,0246	-		-	10,3				12	0,0287	-	-	10,8				12,5	0,0338	-	5	11,4				13,1	0,0390	-	20	12,1				13,8	0,0451	-	30	12,5				14,2	0,0492	-	37	12,9				14,6	0,0523	-	57	13,8				15,5	0,0605	-	80	14,8				16,5	0,0697	-	105	15,9				18,9	0,0800	-	130	17				20	0,0902	10	155	17,4			20,4	0,0882	15	160	17,6	20,6	0,0900		35	180	18,4	21,4	0,0972	50	195	19,1	22,1	0,1026	60	205	19,5	22,5	0,1062	70	230	20,6	23,6	0,1152	80	280	22,8	25,8	0,1332	90	235	20,8	23,8	0,1170	110	255	21,7	24,7	0,1242	135	280	22,8	25,8	0,1332	225 x	180	235	27,1	30,1		0,1692	BFL	280	-		105		16,6	19,6		0,0897			BFL	-	-					9,8	11,5		0,0246	-					-	10,3	12	0,0287				-	-	10,8	12,5	0,0338				-	5	11,4	13,1	0,0390				-	20	12,1	13,8	0,0451				-	30	12,5	14,2	0,0492				-	37	12,9	14,6	0,0523				-	57	13,8	15,5	0,0605				-	80	14,8	16,5	0,0697				-	105	15,9	18,9	0,0800				-	130	17	20	0,0902			10	155	17,4	20,4	0,0882	15	160		17,6	20,6	0,0900	35	180	18,4	21,4	0,0972	50	195	19,1	22,1	0,1026	60	205	19,5	22,5	0,1062	70	230	20,6	23,6	0,1152	80	280	22,8	25,8	0,1332	90	235	20,8	23,8	0,1170	110	255	21,7	24,7	0,1242	135	280	22,8	25,8	0,1332	225 x	180	235	27,1	30,1		0,1692	BFL	280	-		130		17,8		20,8		0,1012		BFL		-		-			9,8	11,5					0,0246	-		-				10,3	12	0,0287	-	-				10,8	12,5	0,0338	-	5				11,4	13,1	0,0390	-	20				12,1	13,8	0,0451	-	30				12,5	14,2	0,0492	-	37				12,9	14,6	0,0523	-	57				13,8	15,5	0,0605	-	80				14,8	16,5	0,0697	-	105				15,9	18,9	0,0800	-	130			17	20	0,0902	10	155	17,4	20,4		0,0882	15	160	17,6	20,6	0,0900	35	180	18,4	21,4	0,0972	50	195	19,1	22,1	0,1026	60	205	19,5	22,5	0,1062	70	230	20,6	23,6	0,1152	80	280	22,8	25,8	0,1332	90	235	20,8	23,8	0,1170	110	255	21,7	24,7	0,1242	135	280	22,8	25,8	0,1332	225 x	180	235	27,1	30,1		0,1692	BFL	280	-			155		18,9	21,9			0,1127			BFL	-	-						9,8	11,5		0,0246				-		-	10,3	12				0,0287	-	-	10,8	12,5				0,0338	-	5	11,4	13,1				0,0390	-	20	12,1	13,8				0,0451	-	30	12,5	14,2				0,0492	-	37	12,9	14,6				0,0523	-	57	13,8	15,5				0,0605	-	80	14,8	16,5				0,0697	-	105	15,9	18,9			0,0800	-	130	17	20	0,0902	10		155	17,4	20,4	0,0882	15	160	17,6	20,6	0,0900	35	180	18,4	21,4	0,0972	50	195	19,1	22,1	0,1026	60	205	19,5	22,5	0,1062	70	230	20,6	23,6	0,1152	80	280	22,8	25,8	0,1332	90	235	20,8	23,8	0,1170	110	255	21,7	24,7	0,1242	135	280	22																																																																																																																																																																																																																																																																																																																																																																																																																																																																																																																																																																																																																																																																																																																																																																																																															
110	255	21,7	24,7	0,1242	135	280	22,8	25,8	0,1332	225 x	180	235	27,1	30,1		0,1692	BFL	280	-		57		14,4	16,1		0,0679		BFL	-		-			9,8	11,5				0,0246	-		-	10,3				12	0,0287	-	-	10,8				12,5	0,0338	-	5	11,4				13,1	0,0390	-	20	12,1				13,8	0,0451	-	30	12,5				14,2	0,0492	-	37	12,9				14,6	0,0523	-	57	13,8				15,5	0,0605	-	80	14,8				16,5	0,0697	-	105	15,9				18,9	0,0800	-	130	17				20	0,0902	10	155	17,4			20,4	0,0882	15	160	17,6	20,6	0,0900		35	180	18,4	21,4	0,0972	50	195	19,1	22,1	0,1026	60	205	19,5	22,5	0,1062	70	230	20,6	23,6	0,1152	80	280	22,8	25,8	0,1332	90	235	20,8	23,8	0,1170	110	255	21,7	24,7	0,1242	135	280	22,8	25,8	0,1332	225 x	180	235	27,1	30,1		0,1692	BFL	280	-		80		15,4	17,1		0,0782		BFL	-		-			9,8		11,5			0,0246	-				-	10,3		12	0,0287				-	-	10,8	12,5	0,0338				-	5	11,4	13,1	0,0390				-	20	12,1	13,8	0,0451				-	30	12,5	14,2	0,0492				-	37	12,9	14,6	0,0523				-	57	13,8	15,5	0,0605				-	80	14,8	16,5	0,0697				-	105	15,9	18,9	0,0800				-	130	17	20	0,0902			10	155	17,4	20,4	0,0882	15	160		17,6	20,6	0,0900	35	180	18,4	21,4	0,0972	50	195	19,1	22,1	0,1026	60	205	19,5	22,5	0,1062	70	230	20,6	23,6	0,1152	80	280	22,8	25,8	0,1332	90	235	20,8	23,8	0,1170	110	255	21,7	24,7	0,1242	135	280	22,8	25,8	0,1332	225 x	180	235	27,1	30,1		0,1692	BFL	280	-		105		16,6	19,6		0,0897		BFL	-		-				9,8	11,5					0,0246	-		-	10,3					12	0,0287	-	-				10,8	12,5	0,0338	-	5				11,4	13,1	0,0390	-	20				12,1	13,8	0,0451	-	30				12,5	14,2	0,0492	-	37				12,9	14,6	0,0523	-	57				13,8	15,5	0,0605	-	80				14,8	16,5	0,0697	-	105				15,9	18,9	0,0800	-	130			17	20	0,0902	10	155	17,4	20,4		0,0882	15	160	17,6	20,6	0,0900	35	180	18,4	21,4	0,0972	50	195	19,1	22,1	0,1026	60	205	19,5	22,5	0,1062	70	230	20,6	23,6	0,1152	80	280	22,8	25,8	0,1332	90	235	20,8	23,8	0,1170	110	255	21,7	24,7	0,1242	135	280	22,8	25,8	0,1332	225 x	180	235	27,1	30,1		0,1692	BFL	280	-		130		17,8	20,8		0,1012		BFL		-		-				9,8		11,5			0,0246	-					-	10,3		12				0,0287	-	-	10,8	12,5				0,0338	-	5	11,4	13,1				0,0390	-	20	12,1	13,8				0,0451	-	30	12,5	14,2				0,0492	-	37	12,9	14,6				0,0523	-	57	13,8	15,5				0,0605	-	80	14,8	16,5				0,0697	-	105	15,9	18,9			0,0800	-	130	17	20	0,0902	10		155	17,4	20,4	0,0882	15	160	17,6	20,6	0,0900	35	180	18,4	21,4	0,0972	50	195	19,1	22,1	0,1026	60	205	19,5	22,5	0,1062	70	230	20,6	23,6	0,1152	80	280	22,8	25,8	0,1332	90	235	20,8	23,8	0,1170	110	255	21,7	24,7	0,1242	135	280	22,8	25,8	0,1332	225 x	180	235	27,1	30,1		0,1692	BFL	280	-		155		18,9	21,9			0,1127		BFL	-			-				9,8	11,5						0,0246	-		-				10,3		12	0,0287	-				-	10,8	12,5	0,0338	-				5	11,4	13,1	0,0390	-				20	12,1	13,8	0,0451	-				30	12,5	14,2	0,0492	-				37	12,9	14,6	0,0523	-				57	13,8	15,5	0,0605	-				80	14,8	16,5	0,0697	-			105	15,9	18,9	0,0800	-	130	17		20	0,0902	10	155	17,4	20,4	0,0882	15	160	17,6	20,6	0,0900	35	180	18,4	21,4	0,0972	50	195	19,1	22,1	0,1026	60	205	19,5	22,5	0,1062	70	230	20,6	23,6	0,1152	80	280	22,8	25,8	0,1332	90	235	20,8	23,8	0,1170	110	255	21,7	24,7	0,1242	135	280	22																																																																																																																																																																																																																																																																																																																																																																																																																																																																																																																																																																																																																																																																																																																																																																																																																				
135	280	22,8	25,8	0,1332	225 x	180	235	27,1	30,1		0,1692	BFL	280	-		57		14,4	16,1		0,0679		BFL	-		-			9,8		11,5			0,0246	-				-	10,3		12	0,0287				-	-	10,8	12,5	0,0338				-	5	11,4	13,1	0,0390				-	20	12,1	13,8	0,0451				-	30	12,5	14,2	0,0492				-	37	12,9	14,6	0,0523				-	57	13,8	15,5	0,0605				-	80	14,8	16,5	0,0697				-	105	15,9	18,9	0,0800				-	130	17	20	0,0902			10	155	17,4	20,4	0,0882	15	160		17,6	20,6	0,0900	35	180	18,4	21,4	0,0972	50	195	19,1	22,1	0,1026	60	205	19,5	22,5	0,1062	70	230	20,6	23,6	0,1152	80	280	22,8	25,8	0,1332	90	235	20,8	23,8	0,1170	110	255	21,7	24,7	0,1242	135	280	22,8	25,8	0,1332	225 x	180	235	27,1	30,1		0,1692	BFL	280	-		80		15,4	17,1		0,0782		BFL	-		-			9,8		11,5			0,0246		-			-	10,3				12	0,0287		-	-				10,8	12,5	0,0338	-	5				11,4	13,1	0,0390	-	20				12,1	13,8	0,0451	-	30				12,5	14,2	0,0492	-	37				12,9	14,6	0,0523	-	57				13,8	15,5	0,0605	-	80				14,8	16,5	0,0697	-	105				15,9	18,9	0,0800	-	130			17	20	0,0902	10	155	17,4	20,4		0,0882	15	160	17,6	20,6	0,0900	35	180	18,4	21,4	0,0972	50	195	19,1	22,1	0,1026	60	205	19,5	22,5	0,1062	70	230	20,6	23,6	0,1152	80	280	22,8	25,8	0,1332	90	235	20,8	23,8	0,1170	110	255	21,7	24,7	0,1242	135	280	22,8	25,8	0,1332	225 x	180	235	27,1	30,1		0,1692	BFL	280	-		105		16,6	19,6		0,0897		BFL	-		-			9,8		11,5				0,0246	-					-	10,3		12	0,0287					-	-	10,8	12,5				0,0338	-	5	11,4	13,1				0,0390	-	20	12,1	13,8				0,0451	-	30	12,5	14,2				0,0492	-	37	12,9	14,6				0,0523	-	57	13,8	15,5				0,0605	-	80	14,8	16,5				0,0697	-	105	15,9	18,9			0,0800	-	130	17	20	0,0902	10		155	17,4	20,4	0,0882	15	160	17,6	20,6	0,0900	35	180	18,4	21,4	0,0972	50	195	19,1	22,1	0,1026	60	205	19,5	22,5	0,1062	70	230	20,6	23,6	0,1152	80	280	22,8	25,8	0,1332	90	235	20,8	23,8	0,1170	110	255	21,7	24,7	0,1242	135	280	22,8	25,8	0,1332	225 x	180	235	27,1	30,1		0,1692	BFL	280	-		130		17,8	20,8		0,1012		BFL	-		-				9,8		11,5				0,0246		-			-	10,3					12	0,0287		-				-	10,8	12,5	0,0338	-				5	11,4	13,1	0,0390	-				20	12,1	13,8	0,0451	-				30	12,5	14,2	0,0492	-				37	12,9	14,6	0,0523	-				57	13,8	15,5	0,0605	-				80	14,8	16,5	0,0697	-			105	15,9	18,9	0,0800	-	130	17		20	0,0902	10	155	17,4	20,4	0,0882	15	160	17,6	20,6	0,0900	35	180	18,4	21,4	0,0972	50	195	19,1	22,1	0,1026	60	205	19,5	22,5	0,1062	70	230	20,6	23,6	0,1152	80	280	22,8	25,8	0,1332	90	235	20,8	23,8	0,1170	110	255	21,7	24,7	0,1242	135	280	22,8	25,8	0,1332	225 x	180	235	27,1	30,1		0,1692	BFL	280	-		155		18,9	21,9		0,1127		BFL	-			-			9,8			11,5				0,0246	-						-	10,3		12				0,0287		-	-	10,8				12,5	0,0338	-	5	11,4				13,1	0,0390	-	20	12,1				13,8	0,0451	-	30	12,5				14,2	0,0492	-	37	12,9				14,6	0,0523	-	57	13,8				15,5	0,0605	-	80	14,8			16,5	0,0697	-	105	15,9	18,9	0,0800		-	130	17	20	0,0902	10	155	17,4	20,4	0,0882	15	160	17,6	20,6	0,0900	35	180	18,4	21,4	0,0972	50	195	19,1	22,1	0,1026	60	205	19,5	22,5	0,1062	70	230	20,6	23,6	0,1152	80	280	22,8	25,8	0,1332	90	235	20,8	23,8	0,1170	110	255	21,7	24,7	0,1242	135	280	22																																																																																																																																																																																																																																																																																																																																																																																																																																																																																																																																																																																																																																																																																																																																																																																																																									
225 x	180	235	27,1	30,1		0,1692	BFL	280	-		57		14,4	16,1		0,0679		BFL																																																																																																																																																																																																																																																																																																																																																																																																																																																																																																																																																																																																																																																																																																																																																																																																																																																																																																																																																																																																																																																																																																																																																																																																																																																																																																																																																																																																																																																																																																																																																																																																																																																													
	-	-	9,8	11,5		0,0246		-	-		10,3		12	0,0287		-			-		10,8			12,5		0,0338			-		5			11,4	13,1				0,0390	-		20	12,1				13,8	0,0451	-	30	12,5				14,2	0,0492	-	37	12,9				14,6	0,0523	-	57	13,8				15,5	0,0605	-	80	14,8				16,5	0,0697	-	105	15,9				18,9	0,0800	-	130	17				20	0,0902	10	155	17,4			20,4	0,0882	15	160	17,6	20,6	0,0900		35	180	18,4	21,4	0,0972	50	195	19,1	22,1	0,1026	60	205	19,5	22,5	0,1062	70	230	20,6	23,6	0,1152	80	280	22,8	25,8	0,1332	90	235	20,8	23,8	0,1170	110	255	21,7	24,7	0,1242	135	280	22,8	25,8	0,1332	225 x	180	235	27,1	30,1	0,1692	BFL	280	-	80	15,4	17,1	0,0782	BFL	-	-	9,8	11,5	0,0246		-	-	10,3	12		0,0287		-	-		10,8		12,5	0,0338		-			5		11,4			13,1		0,0390			-		20			12,1	13,8				0,0451	-		30	12,5				14,2	0,0492	-	37	12,9				14,6	0,0523	-	57	13,8				15,5	0,0605	-	80	14,8				16,5	0,0697	-	105	15,9				18,9	0,0800	-	130	17				20	0,0902	10	155	17,4			20,4	0,0882	15	160	17,6	20,6	0,0900		35	180	18,4	21,4	0,0972	50	195	19,1	22,1	0,1026	60	205	19,5	22,5	0,1062	70	230	20,6	23,6	0,1152	80	280	22,8	25,8	0,1332	90	235	20,8	23,8	0,1170	110	255	21,7	24,7	0,1242	135	280	22,8	25,8	0,1332	225 x	180	235	27,1	30,1	0,1692	BFL	280	-	105	16,6	19,6	0,0897	BFL	-	-	9,8	11,5	0,0246	-	-	10,3		12	0,0287	-	-		10,8		12,5	0,0338		-		5	11,4		13,1			0,0390		-			20		12,1				13,8	0,0451					-	30		12,5	14,2					0,0492	-	37	12,9				14,6	0,0523	-	57	13,8				15,5	0,0605	-	80	14,8				16,5	0,0697	-	105	15,9				18,9	0,0800	-	130	17				20	0,0902	10	155	17,4			20,4	0,0882	15	160	17,6	20,6	0,0900		35	180	18,4	21,4	0,0972	50	195	19,1	22,1	0,1026	60	205	19,5	22,5	0,1062	70	230	20,6	23,6	0,1152	80	280	22,8	25,8	0,1332	90	235	20,8	23,8	0,1170	110	255	21,7	24,7	0,1242	135	280	22,8	25,8	0,1332	225 x	180	235	27,1	30,1	0,1692	BFL	280	-	130	17,8	20,8	0,1012	BFL	-	-	9,8	11,5	0,0246	-	-	10,3	12	0,0287	-		-	10,8	12,5	0,0338		-		5	11,4		13,1		0,0390	-		20			12,1		13,8				0,0451		-				30		12,5			14,2	0,0492					-	37		12,9				14,6	0,0523	-	57	13,8				15,5	0,0605	-	80	14,8				16,5	0,0697	-	105	15,9				18,9	0,0800	-	130	17				20	0,0902	10	155	17,4			20,4	0,0882	15	160	17,6	20,6	0,0900		35	180	18,4	21,4	0,0972	50	195	19,1	22,1	0,1026	60	205	19,5	22,5	0,1062	70	230	20,6	23,6	0,1152	80	280	22,8	25,8	0,1332	90	235	20,8	23,8	0,1170	110	255	21,7	24,7	0,1242	135	280	22,8	25,8	0,1332	225 x	180	235	27,1	30,1	0,1692	BFL	280	-	155	18,9	21,9	0,1127	BFL	-	-	9,8	11,5	0,0246	-	-	10,3	12	0,0287	-	-	10,8	12,5		0,0338	-	5	11,4		13,1		0,0390	-		20		12,1	13,8		0,0451			-			30			12,5			14,2				0,0492	-						37	12,9		14,6				0,0523		-	57	13,8				15,5	0,0605	-	80	14,8				16,5	0,0697	-	105	15,9				18,9	0,0800	-	130	17				20	0,0902	10	155	17,4			20,4	0,0882	15	160	17,6	20,6	0,0900		35	180	18,4	21,4	0,0972	50	195	19,1	22,1	0,1026	60	205	19,5	22,5	0,1062	70	230	20,6	23,6	0,1152	80	280	22,8	25,8	0,1332	90	235	20,8	23,8	0,1170	110	255	21,7	24,7	0,1242	135	280	22																																																																																																																																																																																																																																																																																																																																																																																																																																																																																																																																																																																																																																																																																																																																																																																																																																																								
	-	-	10,3	12		0,0287		-	-		10,8		12,5	0,0338		-			5		11,4			13,1		0,0390			-		20			12,1	13,8				0,0451	-		30	12,5				14,2	0,0492	-	37	12,9				14,6	0,0523	-	57	13,8				15,5	0,0605	-	80	14,8				16,5	0,0697	-	105	15,9				18,9	0,0800	-	130	17				20	0,0902	10	155	17,4			20,4	0,0882	15	160	17,6	20,6	0,0900		35	180	18,4	21,4	0,0972	50	195	19,1	22,1	0,1026	60	205	19,5	22,5	0,1062	70	230	20,6	23,6	0,1152	80	280	22,8	25,8	0,1332	90	235	20,8	23,8	0,1170	110	255	21,7	24,7	0,1242	135	280	22,8	25,8	0,1332	225 x	180	235	27,1	30,1	0,1692	BFL	280		-	80	15,4	17,1	0,0782		BFL	-	-	9,8	11,5	0,0246		-	-	10,3	12	0,0287		-	-	10,8	12,5		0,0338		-	5		11,4		13,1	0,0390		-			20		12,1			13,8		0,0451			-		30			12,5	14,2				0,0492	-		37	12,9				14,6	0,0523	-	57	13,8				15,5	0,0605	-	80	14,8				16,5	0,0697	-	105	15,9				18,9	0,0800	-	130	17				20	0,0902	10	155	17,4			20,4	0,0882	15	160	17,6	20,6	0,0900		35	180	18,4	21,4	0,0972	50	195	19,1	22,1	0,1026	60	205	19,5	22,5	0,1062	70	230	20,6	23,6	0,1152	80	280	22,8	25,8	0,1332	90	235	20,8	23,8	0,1170	110	255	21,7	24,7	0,1242	135	280	22,8	25,8	0,1332	225 x	180	235	27,1	30,1	0,1692	BFL	280		-	105	16,6	19,6	0,0897		BFL	-	-	9,8	11,5	0,0246		-	-	10,3	12	0,0287	-	-	10,8		12,5	0,0338	-	5		11,4		13,1	0,0390		-		20	12,1		13,8			0,0451		-			30		12,5				14,2	0,0492					-	37		12,9	14,6					0,0523	-	57	13,8				15,5	0,0605	-	80	14,8				16,5	0,0697	-	105	15,9				18,9	0,0800	-	130	17				20	0,0902	10	155	17,4			20,4	0,0882	15	160	17,6	20,6	0,0900		35	180	18,4	21,4	0,0972	50	195	19,1	22,1	0,1026	60	205	19,5	22,5	0,1062	70	230	20,6	23,6	0,1152	80	280	22,8	25,8	0,1332	90	235	20,8	23,8	0,1170	110	255	21,7	24,7	0,1242	135	280	22,8	25,8	0,1332	225 x	180	235	27,1	30,1	0,1692	BFL	280		-	130	17,8	20,8	0,1012		BFL	-	-	9,8	11,5	0,0246		-	-	10,3	12	0,0287	-	-	10,8	12,5	0,0338	-		5	11,4	13,1	0,0390		-		20	12,1		13,8		0,0451	-		30			12,5		14,2				0,0492		-				37		12,9			14,6	0,0523					-	57		13,8				15,5	0,0605	-	80	14,8				16,5	0,0697	-	105	15,9				18,9	0,0800	-	130	17				20	0,0902	10	155	17,4			20,4	0,0882	15	160	17,6	20,6	0,0900		35	180	18,4	21,4	0,0972	50	195	19,1	22,1	0,1026	60	205	19,5	22,5	0,1062	70	230	20,6	23,6	0,1152	80	280	22,8	25,8	0,1332	90	235	20,8	23,8	0,1170	110	255	21,7	24,7	0,1242	135	280	22,8	25,8	0,1332	225 x	180	235	27,1	30,1	0,1692	BFL	280		-	155	18,9	21,9	0,1127		BFL	-	-	9,8	11,5	0,0246		-	-	10,3	12	0,0287	-	-	10,8	12,5	0,0338	-	5	11,4	13,1		0,0390	-	20	12,1		13,8		0,0451	-		30		12,5	14,2		0,0492			-			37			12,9			14,6				0,0523	-						57	13,8		15,5				0,0605		-	80	14,8				16,5	0,0697	-	105	15,9				18,9	0,0800	-	130	17				20	0,0902	10	155	17,4			20,4	0,0882	15	160	17,6	20,6	0,0900		35	180	18,4	21,4	0,0972	50	195	19,1	22,1	0,1026	60	205	19,5	22,5	0,1062	70	230	20,6	23,6	0,1152	80	280	22,8	25,8	0,1332	90	235	20,8	23,8	0,1170	110	255	21,7	24,7	0,1242	135	280	22																																																																																																																																																																																																																																																																																																																																																																																																																																																																																																																																																																																																																																																																																																																																																																																																																																																																
	-	-	10,8	12,5		0,0338		-	5		11,4		13,1	0,0390		-			20		12,1			13,8		0,0451			-		30			12,5	14,2				0,0492	-		37	12,9				14,6	0,0523	-	57	13,8				15,5	0,0605	-	80	14,8				16,5	0,0697	-	105	15,9				18,9	0,0800	-	130	17				20	0,0902	10	155	17,4			20,4	0,0882	15	160	17,6	20,6	0,0900		35	180	18,4	21,4	0,0972	50	195	19,1	22,1	0,1026	60	205	19,5	22,5	0,1062	70	230	20,6	23,6	0,1152	80	280	22,8	25,8	0,1332	90	235	20,8	23,8	0,1170	110	255	21,7	24,7	0,1242	135	280	22,8	25,8	0,1332	225 x	180	235	27,1	30,1	0,1692	BFL	280		-	80	15,4	17,1	0,0782		BFL		-	-	9,8	11,5	0,0246			-	-	10,3	12	0,0287		-	-	10,8	12,5	0,0338		-	5	11,4	13,1		0,0390		-	20		12,1		13,8	0,0451		-			30		12,5			14,2		0,0492			-		37			12,9	14,6				0,0523	-		57	13,8				15,5	0,0605	-	80	14,8				16,5	0,0697	-	105	15,9				18,9	0,0800	-	130	17				20	0,0902	10	155	17,4			20,4	0,0882	15	160	17,6	20,6	0,0900		35	180	18,4	21,4	0,0972	50	195	19,1	22,1	0,1026	60	205	19,5	22,5	0,1062	70	230	20,6	23,6	0,1152	80	280	22,8	25,8	0,1332	90	235	20,8	23,8	0,1170	110	255	21,7	24,7	0,1242	135	280	22,8	25,8	0,1332	225 x	180	235	27,1	30,1	0,1692	BFL	280		-	105	16,6	19,6	0,0897		BFL		-	-	9,8	11,5	0,0246			-	-	10,3	12	0,0287		-	-	10,8	12,5	0,0338	-	5	11,4		13,1	0,0390	-	20		12,1		13,8	0,0451		-		30	12,5		14,2			0,0492		-			37		12,9				14,6	0,0523					-	57		13,8	15,5					0,0605	-	80	14,8				16,5	0,0697	-	105	15,9				18,9	0,0800	-	130	17				20	0,0902	10	155	17,4			20,4	0,0882	15	160	17,6	20,6	0,0900		35	180	18,4	21,4	0,0972	50	195	19,1	22,1	0,1026	60	205	19,5	22,5	0,1062	70	230	20,6	23,6	0,1152	80	280	22,8	25,8	0,1332	90	235	20,8	23,8	0,1170	110	255	21,7	24,7	0,1242	135	280	22,8	25,8	0,1332	225 x	180	235	27,1	30,1	0,1692	BFL	280		-	130	17,8	20,8	0,1012		BFL		-	-	9,8	11,5	0,0246			-	-	10,3	12	0,0287		-	-	10,8	12,5	0,0338	-	5	11,4	13,1	0,0390	-		20	12,1	13,8	0,0451		-		30	12,5		14,2		0,0492	-		37			12,9		14,6				0,0523		-				57		13,8			15,5	0,0605					-	80		14,8				16,5	0,0697	-	105	15,9				18,9	0,0800	-	130	17				20	0,0902	10	155	17,4			20,4	0,0882	15	160	17,6	20,6	0,0900		35	180	18,4	21,4	0,0972	50	195	19,1	22,1	0,1026	60	205	19,5	22,5	0,1062	70	230	20,6	23,6	0,1152	80	280	22,8	25,8	0,1332	90	235	20,8	23,8	0,1170	110	255	21,7	24,7	0,1242	135	280	22,8	25,8	0,1332	225 x	180	235	27,1	30,1	0,1692	BFL	280		-	155	18,9	21,9	0,1127		BFL		-	-	9,8	11,5	0,0246			-	-	10,3	12	0,0287		-	-	10,8	12,5	0,0338	-	5	11,4	13,1	0,0390	-	20	12,1	13,8		0,0451	-	30	12,5		14,2		0,0492	-		37		12,9	14,6		0,0523			-			57			13,8			15,5				0,0605	-						80	14,8		16,5				0,0697		-	105	15,9				18,9	0,0800	-	130	17				20	0,0902	10	155	17,4			20,4	0,0882	15	160	17,6	20,6	0,0900		35	180	18,4	21,4	0,0972	50	195	19,1	22,1	0,1026	60	205	19,5	22,5	0,1062	70	230	20,6	23,6	0,1152	80	280	22,8	25,8	0,1332	90	235	20,8	23,8	0,1170	110	255	21,7	24,7	0,1242	135	280	22																																																																																																																																																																																																																																																																																																																																																																																																																																																																																																																																																																																																																																																																																																																																																																																																																																																																								
	-	5	11,4	13,1		0,0390		-	20		12,1		13,8	0,0451		-			30		12,5			14,2		0,0492			-		37			12,9	14,6				0,0523	-		57	13,8				15,5	0,0605	-	80	14,8				16,5	0,0697	-	105	15,9				18,9	0,0800	-	130	17				20	0,0902	10	155	17,4			20,4	0,0882	15	160	17,6	20,6	0,0900		35	180	18,4	21,4	0,0972	50	195	19,1	22,1	0,1026	60	205	19,5	22,5	0,1062	70	230	20,6	23,6	0,1152	80	280	22,8	25,8	0,1332	90	235	20,8	23,8	0,1170	110	255	21,7	24,7	0,1242	135	280	22,8	25,8	0,1332	225 x	180	235	27,1	30,1	0,1692	BFL	280		-	80	15,4	17,1	0,0782		BFL		-	-	9,8	11,5	0,0246				-	-	10,3	12	0,0287			-	-	10,8	12,5	0,0338		-	5	11,4	13,1	0,0390		-	20	12,1	13,8		0,0451		-	30		12,5		14,2	0,0492		-			37		12,9			14,6		0,0523			-		57			13,8	15,5				0,0605	-		80	14,8				16,5	0,0697	-	105	15,9				18,9	0,0800	-	130	17				20	0,0902	10	155	17,4			20,4	0,0882	15	160	17,6	20,6	0,0900		35	180	18,4	21,4	0,0972	50	195	19,1	22,1	0,1026	60	205	19,5	22,5	0,1062	70	230	20,6	23,6	0,1152	80	280	22,8	25,8	0,1332	90	235	20,8	23,8	0,1170	110	255	21,7	24,7	0,1242	135	280	22,8	25,8	0,1332	225 x	180	235	27,1	30,1	0,1692	BFL	280		-	105	16,6	19,6	0,0897		BFL		-	-	9,8	11,5	0,0246				-	-	10,3	12	0,0287			-	-	10,8	12,5	0,0338		-	5	11,4	13,1	0,0390	-	20	12,1		13,8	0,0451	-	30		12,5		14,2	0,0492		-		37	12,9		14,6			0,0523		-			57		13,8				15,5	0,0605					-	80		14,8	16,5					0,0697	-	105	15,9				18,9	0,0800	-	130	17				20	0,0902	10	155	17,4			20,4	0,0882	15	160	17,6	20,6	0,0900		35	180	18,4	21,4	0,0972	50	195	19,1	22,1	0,1026	60	205	19,5	22,5	0,1062	70	230	20,6	23,6	0,1152	80	280	22,8	25,8	0,1332	90	235	20,8	23,8	0,1170	110	255	21,7	24,7	0,1242	135	280	22,8	25,8	0,1332	225 x	180	235	27,1	30,1	0,1692	BFL	280		-	130	17,8	20,8	0,1012		BFL		-	-	9,8	11,5	0,0246				-	-	10,3	12	0,0287			-	-	10,8	12,5	0,0338		-	5	11,4	13,1	0,0390	-	20	12,1	13,8	0,0451	-		30	12,5	14,2	0,0492		-		37	12,9		14,6		0,0523	-		57			13,8		15,5				0,0605		-				80		14,8			16,5	0,0697					-	105		15,9				18,9	0,0800	-	130	17				20	0,0902	10	155	17,4			20,4	0,0882	15	160	17,6	20,6	0,0900		35	180	18,4	21,4	0,0972	50	195	19,1	22,1	0,1026	60	205	19,5	22,5	0,1062	70	230	20,6	23,6	0,1152	80	280	22,8	25,8	0,1332	90	235	20,8	23,8	0,1170	110	255	21,7	24,7	0,1242	135	280	22,8	25,8	0,1332	225 x	180	235	27,1	30,1	0,1692	BFL	280		-	155	18,9	21,9	0,1127		BFL		-	-	9,8	11,5	0,0246				-	-	10,3	12	0,0287			-	-	10,8	12,5	0,0338		-	5	11,4	13,1	0,0390	-	20	12,1	13,8	0,0451	-	30	12,5	14,2		0,0492	-	37	12,9		14,6		0,0523	-		57		13,8	15,5		0,0605			-			80			14,8			16,5				0,0697	-						105	15,9		18,9				0,0800		-	130	17				20	0,0902	10	155	17,4			20,4	0,0882	15	160	17,6	20,6	0,0900		35	180	18,4	21,4	0,0972	50	195	19,1	22,1	0,1026	60	205	19,5	22,5	0,1062	70	230	20,6	23,6	0,1152	80	280	22,8	25,8	0,1332	90	235	20,8	23,8	0,1170	110	255	21,7	24,7	0,1242	135	280	22																																																																																																																																																																																																																																																																																																																																																																																																																																																																																																																																																																																																																																																																																																																																																																																																																																																																																
	-	20	12,1	13,8		0,0451		-	30		12,5		14,2	0,0492		-			37		12,9			14,6		0,0523			-		57			13,8	15,5				0,0605	-		80	14,8				16,5	0,0697	-	105	15,9				18,9	0,0800	-	130	17				20	0,0902	10	155	17,4			20,4	0,0882	15	160	17,6	20,6	0,0900		35	180	18,4	21,4	0,0972	50	195	19,1	22,1	0,1026	60	205	19,5	22,5	0,1062	70	230	20,6	23,6	0,1152	80	280	22,8	25,8	0,1332	90	235	20,8	23,8	0,1170	110	255	21,7	24,7	0,1242	135	280	22,8	25,8	0,1332	225 x	180	235	27,1	30,1	0,1692	BFL	280		-	80	15,4	17,1	0,0782		BFL		-	-	9,8	11,5	0,0246				-	-	10,3	12	0,0287				-	-	10,8	12,5	0,0338			-	5	11,4	13,1	0,0390		-	20	12,1	13,8	0,0451		-	30	12,5	14,2		0,0492		-	37		12,9		14,6	0,0523		-			57		13,8			15,5		0,0605			-		80			14,8	16,5				0,0697	-		105	15,9				18,9	0,0800	-	130	17				20	0,0902	10	155	17,4			20,4	0,0882	15	160	17,6	20,6	0,0900		35	180	18,4	21,4	0,0972	50	195	19,1	22,1	0,1026	60	205	19,5	22,5	0,1062	70	230	20,6	23,6	0,1152	80	280	22,8	25,8	0,1332	90	235	20,8	23,8	0,1170	110	255	21,7	24,7	0,1242	135	280	22,8	25,8	0,1332	225 x	180	235	27,1	30,1	0,1692	BFL	280		-	105	16,6	19,6	0,0897		BFL		-	-	9,8	11,5	0,0246				-	-	10,3	12	0,0287				-	-	10,8	12,5	0,0338			-	5	11,4	13,1	0,0390		-	20	12,1	13,8	0,0451	-	30	12,5		14,2	0,0492	-	37		12,9		14,6	0,0523		-		57	13,8		15,5			0,0605		-			80		14,8				16,5	0,0697					-	105		15,9	18,9					0,0800	-	130	17				20	0,0902	10	155	17,4			20,4	0,0882	15	160	17,6	20,6	0,0900		35	180	18,4	21,4	0,0972	50	195	19,1	22,1	0,1026	60	205	19,5	22,5	0,1062	70	230	20,6	23,6	0,1152	80	280	22,8	25,8	0,1332	90	235	20,8	23,8	0,1170	110	255	21,7	24,7	0,1242	135	280	22,8	25,8	0,1332	225 x	180	235	27,1	30,1	0,1692	BFL	280		-	130	17,8	20,8	0,1012		BFL		-	-	9,8	11,5	0,0246				-	-	10,3	12	0,0287				-	-	10,8	12,5	0,0338			-	5	11,4	13,1	0,0390		-	20	12,1	13,8	0,0451	-	30	12,5	14,2	0,0492	-		37	12,9	14,6	0,0523		-		57	13,8		15,5		0,0605	-		80			14,8		16,5				0,0697		-				105		15,9			18,9	0,0800					-	130		17				20	0,0902	10	155	17,4			20,4	0,0882	15	160	17,6	20,6	0,0900		35	180	18,4	21,4	0,0972	50	195	19,1	22,1	0,1026	60	205	19,5	22,5	0,1062	70	230	20,6	23,6	0,1152	80	280	22,8	25,8	0,1332	90	235	20,8	23,8	0,1170	110	255	21,7	24,7	0,1242	135	280	22,8	25,8	0,1332	225 x	180	235	27,1	30,1	0,1692	BFL	280		-	155	18,9	21,9	0,1127		BFL		-	-	9,8	11,5	0,0246				-	-	10,3	12	0,0287				-	-	10,8	12,5	0,0338			-	5	11,4	13,1	0,0390		-	20	12,1	13,8	0,0451	-	30	12,5	14,2	0,0492	-	37	12,9	14,6		0,0523	-	57	13,8		15,5		0,0605	-		80		14,8	16,5		0,0697			-			105			15,9			18,9				0,0800	-						130	17		20				0,0902		10	155	17,4			20,4	0,0882	15	160	17,6	20,6	0,0900		35	180	18,4	21,4	0,0972	50	195	19,1	22,1	0,1026	60	205	19,5	22,5	0,1062	70	230	20,6	23,6	0,1152	80	280	22,8	25,8	0,1332	90	235	20,8	23,8	0,1170	110	255	21,7	24,7	0,1242	135	280	22																																																																																																																																																																																																																																																																																																																																																																																																																																																																																																																																																																																																																																																																																																																																																																																																																																																																																								
	-	30	12,5	14,2		0,0492		-	37		12,9		14,6	0,0523		-			57		13,8			15,5		0,0605			-		80			14,8	16,5				0,0697	-		105	15,9				18,9	0,0800	-	130	17				20	0,0902	10	155	17,4			20,4	0,0882	15	160	17,6	20,6	0,0900		35	180	18,4	21,4	0,0972	50	195	19,1	22,1	0,1026	60	205	19,5	22,5	0,1062	70	230	20,6	23,6	0,1152	80	280	22,8	25,8	0,1332	90	235	20,8	23,8	0,1170	110	255	21,7	24,7	0,1242	135	280	22,8	25,8	0,1332	225 x	180	235	27,1	30,1	0,1692	BFL	280		-	80	15,4	17,1	0,0782		BFL		-	-	9,8	11,5	0,0246				-	-	10,3	12	0,0287				-	-	10,8	12,5	0,0338				-	5	11,4	13,1	0,0390			-	20	12,1	13,8	0,0451		-	30	12,5	14,2	0,0492		-	37	12,9	14,6		0,0523		-	57		13,8		15,5	0,0605		-			80		14,8			16,5		0,0697			-		105			15,9	18,9				0,0800	-		130	17				20	0,0902	10	155	17,4			20,4	0,0882	15	160	17,6	20,6	0,0900		35	180	18,4	21,4	0,0972	50	195	19,1	22,1	0,1026	60	205	19,5	22,5	0,1062	70	230	20,6	23,6	0,1152	80	280	22,8	25,8	0,1332	90	235	20,8	23,8	0,1170	110	255	21,7	24,7	0,1242	135	280	22,8	25,8	0,1332	225 x	180	235	27,1	30,1	0,1692	BFL	280		-	105	16,6	19,6	0,0897		BFL		-	-	9,8	11,5	0,0246				-	-	10,3	12	0,0287				-	-	10,8	12,5	0,0338				-	5	11,4	13,1	0,0390			-	20	12,1	13,8	0,0451		-	30	12,5	14,2	0,0492	-	37	12,9		14,6	0,0523	-	57		13,8		15,5	0,0605		-		80	14,8		16,5			0,0697		-			105		15,9				18,9	0,0800					-	130		17	20					0,0902	10	155	17,4			20,4	0,0882	15	160	17,6	20,6	0,0900		35	180	18,4	21,4	0,0972	50	195	19,1	22,1	0,1026	60	205	19,5	22,5	0,1062	70	230	20,6	23,6	0,1152	80	280	22,8	25,8	0,1332	90	235	20,8	23,8	0,1170	110	255	21,7	24,7	0,1242	135	280	22,8	25,8	0,1332	225 x	180	235	27,1	30,1	0,1692	BFL	280		-	130	17,8	20,8	0,1012		BFL		-	-	9,8	11,5	0,0246				-	-	10,3	12	0,0287				-	-	10,8	12,5	0,0338				-	5	11,4	13,1	0,0390			-	20	12,1	13,8	0,0451		-	30	12,5	14,2	0,0492	-	37	12,9	14,6	0,0523	-		57	13,8	15,5	0,0605		-		80	14,8		16,5		0,0697	-		105			15,9		18,9				0,0800		-				130		17			20	0,0902					10	155		17,4			20,4	0,0882	15	160	17,6	20,6	0,0900		35	180	18,4	21,4	0,0972	50	195	19,1	22,1	0,1026	60	205	19,5	22,5	0,1062	70	230	20,6	23,6	0,1152	80	280	22,8	25,8	0,1332	90	235	20,8	23,8	0,1170	110	255	21,7	24,7	0,1242	135	280	22,8	25,8	0,1332	225 x	180	235	27,1	30,1	0,1692	BFL	280		-	155	18,9	21,9	0,1127		BFL		-	-	9,8	11,5	0,0246				-	-	10,3	12	0,0287				-	-	10,8	12,5	0,0338				-	5	11,4	13,1	0,0390			-	20	12,1	13,8	0,0451		-	30	12,5	14,2	0,0492	-	37	12,9	14,6	0,0523	-	57	13,8	15,5		0,0605	-	80	14,8		16,5		0,0697	-		105		15,9	18,9		0,0800			-			130			17			20				0,0902	10						155	17,4		20,4			0,0882	15		160	17,6	20,6	0,0900		35	180	18,4	21,4	0,0972	50	195	19,1	22,1	0,1026	60	205	19,5	22,5	0,1062	70	230	20,6	23,6	0,1152	80	280	22,8	25,8	0,1332	90	235	20,8	23,8	0,1170	110	255	21,7	24,7	0,1242	135	280	22																																																																																																																																																																																																																																																																																																																																																																																																																																																																																																																																																																																																																																																																																																																																																																																																																																																																																																
	-	37	12,9	14,6		0,0523		-	57		13,8		15,5	0,0605		-			80		14,8			16,5		0,0697			-		105			15,9	18,9				0,0800	-		130	17				20	0,0902	10	155	17,4			20,4	0,0882	15	160	17,6	20,6	0,0900		35	180	18,4	21,4	0,0972	50	195	19,1	22,1	0,1026	60	205	19,5	22,5	0,1062	70	230	20,6	23,6	0,1152	80	280	22,8	25,8	0,1332	90	235	20,8	23,8	0,1170	110	255	21,7	24,7	0,1242	135	280	22,8	25,8	0,1332	225 x	180	235	27,1	30,1	0,1692	BFL	280		-	80	15,4	17,1	0,0782		BFL		-	-	9,8	11,5	0,0246				-	-	10,3	12	0,0287				-	-	10,8	12,5	0,0338				-	5	11,4	13,1	0,0390				-	20	12,1	13,8	0,0451			-	30	12,5	14,2	0,0492		-	37	12,9	14,6	0,0523		-	57	13,8	15,5		0,0605		-	80		14,8		16,5	0,0697		-			105		15,9			18,9		0,0800			-		130			17	20				0,0902	10		155	17,4			20,4	0,0882	15	160	17,6	20,6	0,0900		35	180	18,4	21,4	0,0972	50	195	19,1	22,1	0,1026	60	205	19,5	22,5	0,1062	70	230	20,6	23,6	0,1152	80	280	22,8	25,8	0,1332	90	235	20,8	23,8	0,1170	110	255	21,7	24,7	0,1242	135	280	22,8	25,8	0,1332	225 x	180	235	27,1	30,1	0,1692	BFL	280		-	105	16,6	19,6	0,0897		BFL		-	-	9,8	11,5	0,0246				-	-	10,3	12	0,0287				-	-	10,8	12,5	0,0338				-	5	11,4	13,1	0,0390				-	20	12,1	13,8	0,0451			-	30	12,5	14,2	0,0492		-	37	12,9	14,6	0,0523	-	57	13,8		15,5	0,0605	-	80		14,8		16,5	0,0697		-		105	15,9		18,9			0,0800		-			130		17				20	0,0902					10	155		17,4	20,4			0,0882		15	160	17,6	20,6	0,0900		35	180	18,4	21,4	0,0972	50	195	19,1	22,1	0,1026	60	205	19,5	22,5	0,1062	70	230	20,6	23,6	0,1152	80	280	22,8	25,8	0,1332	90	235	20,8	23,8	0,1170	110	255	21,7	24,7	0,1242	135	280	22,8	25,8	0,1332	225 x	180	235	27,1	30,1	0,1692	BFL	280		-	130	17,8	20,8	0,1012		BFL		-	-	9,8	11,5	0,0246				-	-	10,3	12	0,0287				-	-	10,8	12,5	0,0338				-	5	11,4	13,1	0,0390				-	20	12,1	13,8	0,0451			-	30	12,5	14,2	0,0492		-	37	12,9	14,6	0,0523	-	57	13,8	15,5	0,0605	-		80	14,8	16,5	0,0697		-		105	15,9		18,9		0,0800	-		130			17		20				0,0902		10				155		17,4			20,4	0,0882			15		160	17,6		20,6	0,0900		35	180	18,4	21,4	0,0972	50	195	19,1	22,1	0,1026	60	205	19,5	22,5	0,1062	70	230	20,6	23,6	0,1152	80	280	22,8	25,8	0,1332	90	235	20,8	23,8	0,1170	110	255	21,7	24,7	0,1242	135	280	22,8	25,8	0,1332	225 x	180	235	27,1	30,1	0,1692	BFL	280		-	155	18,9	21,9	0,1127		BFL		-	-	9,8	11,5	0,0246				-	-	10,3	12	0,0287				-	-	10,8	12,5	0,0338				-	5	11,4	13,1	0,0390				-	20	12,1	13,8	0,0451			-	30	12,5	14,2	0,0492		-	37	12,9	14,6	0,0523	-	57	13,8	15,5	0,0605	-	80	14,8	16,5		0,0697	-	105	15,9		18,9		0,0800	-		130		17	20		0,0902			10			155			17,4			20,4				0,0882	15				160		17,6	20,6		0,0900	35		180	18,4		21,4	0,0972	50	195	19,1	22,1	0,1026	60	205	19,5	22,5	0,1062	70	230	20,6	23,6	0,1152	80	280	22,8	25,8	0,1332	90	235	20,8	23,8	0,1170	110	255	21,7	24,7	0,1242	135	280	22																																																																																																																																																																																																																																																																																																																																																																																																																																																																																																																																																																																																																																																																																																																																																																																																																																																																																																								
	-	57	13,8	15,5		0,0605		-	80		14,8		16,5	0,0697		-			105		15,9			18,9		0,0800			-		130			17	20				0,0902	10		155	17,4			20,4	0,0882	15	160	17,6	20,6	0,0900		35	180	18,4	21,4	0,0972	50	195	19,1	22,1	0,1026	60	205	19,5	22,5	0,1062	70	230	20,6	23,6	0,1152	80	280	22,8	25,8	0,1332	90	235	20,8	23,8	0,1170	110	255	21,7	24,7	0,1242	135	280	22,8	25,8	0,1332	225 x	180	235	27,1	30,1	0,1692	BFL	280		-	80	15,4	17,1	0,0782		BFL		-	-	9,8	11,5	0,0246				-	-	10,3	12	0,0287				-	-	10,8	12,5	0,0338				-	5	11,4	13,1	0,0390				-	20	12,1	13,8	0,0451				-	30	12,5	14,2	0,0492			-	37	12,9	14,6	0,0523		-	57	13,8	15,5	0,0605		-	80	14,8	16,5		0,0697		-	105		15,9		18,9	0,0800		-			130		17			20		0,0902			10		155			17,4	20,4			0,0882	15	160		17,6	20,6	0,0900		35	180	18,4	21,4	0,0972	50	195	19,1	22,1	0,1026	60	205	19,5	22,5	0,1062	70	230	20,6	23,6	0,1152	80	280	22,8	25,8	0,1332	90	235	20,8	23,8	0,1170	110	255	21,7	24,7	0,1242	135	280	22,8	25,8	0,1332	225 x	180	235	27,1	30,1	0,1692	BFL	280		-	105	16,6	19,6	0,0897		BFL		-	-	9,8	11,5	0,0246				-	-	10,3	12	0,0287				-	-	10,8	12,5	0,0338				-	5	11,4	13,1	0,0390				-	20	12,1	13,8	0,0451				-	30	12,5	14,2	0,0492			-	37	12,9	14,6	0,0523		-	57	13,8	15,5	0,0605	-	80	14,8		16,5	0,0697	-	105		15,9		18,9	0,0800		-		130	17		20			0,0902		10			155		17,4				20,4	0,0882				15	160	17,6		20,6	0,0900	35		180		18,4	21,4	0,0972	50	195	19,1	22,1	0,1026	60	205	19,5	22,5	0,1062	70	230	20,6	23,6	0,1152	80	280	22,8	25,8	0,1332	90	235	20,8	23,8	0,1170	110	255	21,7	24,7	0,1242	135	280	22,8	25,8	0,1332	225 x	180	235	27,1	30,1	0,1692	BFL	280		-	130	17,8	20,8	0,1012		BFL		-	-	9,8	11,5	0,0246				-	-	10,3	12	0,0287				-	-	10,8	12,5	0,0338				-	5	11,4	13,1	0,0390				-	20	12,1	13,8	0,0451				-	30	12,5	14,2	0,0492			-	37	12,9	14,6	0,0523		-	57	13,8	15,5	0,0605	-	80	14,8	16,5	0,0697	-		105	15,9	18,9	0,0800		-		130	17		20		0,0902	10		155			17,4		20,4				0,0882		15				160	17,6	20,6			0,0900	35	180		18,4		21,4	0,0972		50	195	19,1	22,1	0,1026	60	205	19,5	22,5	0,1062	70	230	20,6	23,6	0,1152	80	280	22,8	25,8	0,1332	90	235	20,8	23,8	0,1170	110	255	21,7	24,7	0,1242	135	280	22,8	25,8	0,1332	225 x	180	235	27,1	30,1	0,1692	BFL	280		-	155	18,9	21,9	0,1127		BFL		-	-	9,8	11,5	0,0246				-	-	10,3	12	0,0287				-	-	10,8	12,5	0,0338				-	5	11,4	13,1	0,0390				-	20	12,1	13,8	0,0451				-	30	12,5	14,2	0,0492			-	37	12,9	14,6	0,0523		-	57	13,8	15,5	0,0605	-	80	14,8	16,5	0,0697	-	105	15,9	18,9		0,0800	-	130	17		20		0,0902	10		155		17,4	20,4		0,0882			15			160			17,6			20,6	0,0900			35	180		18,4		21,4		0,0972	50		195	19,1	22,1	0,1026	60		205	19,5	22,5	0,1062	70	230	20,6	23,6	0,1152	80	280	22,8	25,8	0,1332	90	235	20,8	23,8	0,1170	110	255	21,7	24,7	0,1242	135	280	22																																																																																																																																																																																																																																																																																																																																																																																																																																																																																																																																																																																																																																																																																																																																																																																																																																																																																																																
	-	80	14,8	16,5		0,0697		-	105		15,9		18,9	0,0800		-			130		17			20		0,0902			10		155			17,4	20,4			0,0882	15	160		17,6	20,6	0,0900		35	180	18,4	21,4	0,0972	50	195	19,1	22,1	0,1026	60	205	19,5	22,5	0,1062	70	230	20,6	23,6	0,1152	80	280	22,8	25,8	0,1332	90	235	20,8	23,8	0,1170	110	255	21,7	24,7	0,1242	135	280	22,8	25,8	0,1332	225 x	180	235	27,1	30,1	0,1692	BFL	280		-	80	15,4	17,1	0,0782		BFL		-	-	9,8	11,5	0,0246				-	-	10,3	12	0,0287				-	-	10,8	12,5	0,0338				-	5	11,4	13,1	0,0390				-	20	12,1	13,8	0,0451				-	30	12,5	14,2	0,0492				-	37	12,9	14,6	0,0523			-	57	13,8	15,5	0,0605		-	80	14,8	16,5	0,0697		-	105	15,9	18,9		0,0800		-	130		17		20	0,0902		10			155		17,4			20,4		0,0882			15	160	17,6			20,6	0,0900	35		180	18,4	21,4		0,0972	50	195	19,1	22,1	0,1026	60	205	19,5	22,5	0,1062	70	230	20,6	23,6	0,1152	80	280	22,8	25,8	0,1332	90	235	20,8	23,8	0,1170	110	255	21,7	24,7	0,1242	135	280	22,8	25,8	0,1332	225 x	180	235	27,1	30,1	0,1692	BFL	280		-	105	16,6	19,6	0,0897		BFL		-	-	9,8	11,5	0,0246				-	-	10,3	12	0,0287				-	-	10,8	12,5	0,0338				-	5	11,4	13,1	0,0390				-	20	12,1	13,8	0,0451				-	30	12,5	14,2	0,0492				-	37	12,9	14,6	0,0523			-	57	13,8	15,5	0,0605		-	80	14,8	16,5	0,0697	-	105	15,9		18,9	0,0800	-	130		17		20	0,0902		10		155	17,4		20,4			0,0882		15			160		17,6	20,6			0,0900	35		180		18,4	21,4	0,0972		50	195	19,1	22,1	0,1026		60	205	19,5	22,5	0,1062	70	230	20,6	23,6	0,1152	80	280	22,8	25,8	0,1332	90	235	20,8	23,8	0,1170	110	255	21,7	24,7	0,1242	135	280	22,8	25,8	0,1332	225 x	180	235	27,1	30,1	0,1692	BFL	280		-	130	17,8	20,8	0,1012		BFL		-	-	9,8	11,5	0,0246				-	-	10,3	12	0,0287				-	-	10,8	12,5	0,0338				-	5	11,4	13,1	0,0390				-	20	12,1	13,8	0,0451				-	30	12,5	14,2	0,0492				-	37	12,9	14,6	0,0523			-	57	13,8	15,5	0,0605		-	80	14,8	16,5	0,0697	-	105	15,9	18,9	0,0800	-		130	17	20	0,0902		10		155	17,4		20,4		0,0882	15		160			17,6		20,6			0,0900	35		180			18,4	21,4	0,0972	50			195	19,1	22,1	0,1026	60		205	19,5		22,5	0,1062	70	230	20,6	23,6	0,1152	80	280	22,8	25,8	0,1332	90	235	20,8	23,8	0,1170	110	255	21,7	24,7	0,1242	135	280	22,8	25,8	0,1332	225 x	180	235	27,1	30,1	0,1692	BFL	280		-	155	18,9	21,9	0,1127		BFL		-	-	9,8	11,5	0,0246				-	-	10,3	12	0,0287				-	-	10,8	12,5	0,0338				-	5	11,4	13,1	0,0390				-	20	12,1	13,8	0,0451				-	30	12,5	14,2	0,0492				-	37	12,9	14,6	0,0523			-	57	13,8	15,5	0,0605		-	80	14,8	16,5	0,0697	-	105	15,9	18,9	0,0800	-	130	17	20		0,0902	10	155	17,4		20,4		0,0882	15		160		17,6	20,6		0,0900			35		180	18,4			21,4		0,0972	50	195			19,1	22,1		0,1026	60	205		19,5	22,5		0,1062	70	230	20,6	23,6		0,1152	80	280	22,8	25,8	0,1332	90	235	20,8	23,8	0,1170	110	255	21,7	24,7	0,1242	135	280	22																																																																																																																																																																																																																																																																																																																																																																																																																																																																																																																																																																																																																																																																																																																																																																																																																																																																																																																								
	-	105	15,9	18,9		0,0800		-	130		17		20	0,0902		10			155		17,4			20,4		0,0882			15	160	17,6			20,6	0,0900	35		180	18,4	21,4		0,0972	50	195	19,1	22,1	0,1026	60	205	19,5	22,5	0,1062	70	230	20,6	23,6	0,1152	80	280	22,8	25,8	0,1332	90	235	20,8	23,8	0,1170	110	255	21,7	24,7	0,1242	135	280	22,8	25,8	0,1332	225 x	180	235	27,1	30,1	0,1692	BFL	280		-	80	15,4	17,1	0,0782		BFL		-	-	9,8	11,5	0,0246				-	-	10,3	12	0,0287				-	-	10,8	12,5	0,0338				-	5	11,4	13,1	0,0390				-	20	12,1	13,8	0,0451				-	30	12,5	14,2	0,0492				-	37	12,9	14,6	0,0523				-	57	13,8	15,5	0,0605			-	80	14,8	16,5	0,0697		-	105	15,9	18,9	0,0800		-	130	17	20		0,0902		10	155		17,4		20,4	0,0882		15			160		17,6			20,6	0,0900	35			180	18,4	21,4	0,0972		50	195	19,1		22,1	0,1026	60	205	19,5	22,5	0,1062	70	230	20,6	23,6	0,1152	80	280	22,8	25,8	0,1332	90	235	20,8	23,8	0,1170	110	255	21,7	24,7	0,1242	135	280	22,8	25,8	0,1332	225 x	180	235	27,1	30,1	0,1692	BFL	280		-	105	16,6	19,6	0,0897		BFL		-	-	9,8	11,5	0,0246				-	-	10,3	12	0,0287				-	-	10,8	12,5	0,0338				-	5	11,4	13,1	0,0390				-	20	12,1	13,8	0,0451				-	30	12,5	14,2	0,0492				-	37	12,9	14,6	0,0523				-	57	13,8	15,5	0,0605			-	80	14,8	16,5	0,0697		-	105	15,9	18,9	0,0800	-	130	17		20	0,0902	10	155		17,4		20,4	0,0882		15		160	17,6		20,6			0,0900		35			180	18,4	21,4	0,0972			50	195	19,1	22,1		0,1026	60	205		19,5	22,5	0,1062	70	230	20,6	23,6	0,1152	80	280	22,8	25,8	0,1332	90	235	20,8	23,8	0,1170	110	255	21,7	24,7	0,1242	135	280	22,8	25,8	0,1332	225 x	180	235	27,1	30,1	0,1692	BFL	280		-	130	17,8	20,8	0,1012		BFL		-	-	9,8	11,5	0,0246				-	-	10,3	12	0,0287				-	-	10,8	12,5	0,0338				-	5	11,4	13,1	0,0390				-	20	12,1	13,8	0,0451				-	30	12,5	14,2	0,0492				-	37	12,9	14,6	0,0523				-	57	13,8	15,5	0,0605			-	80	14,8	16,5	0,0697		-	105	15,9	18,9	0,0800	-	130	17	20	0,0902	10		155	17,4	20,4	0,0882		15		160	17,6		20,6		0,0900	35		180			18,4		21,4			0,0972	50	195	19,1			22,1	0,1026	60	205	19,5		22,5	0,1062	70	230	20,6		23,6	0,1152	80	280	22,8	25,8	0,1332	90	235	20,8	23,8	0,1170	110	255	21,7	24,7	0,1242	135	280	22,8	25,8	0,1332	225 x	180	235	27,1	30,1	0,1692	BFL	280		-	155	18,9	21,9	0,1127		BFL		-	-	9,8	11,5	0,0246				-	-	10,3	12	0,0287				-	-	10,8	12,5	0,0338				-	5	11,4	13,1	0,0390				-	20	12,1	13,8	0,0451				-	30	12,5	14,2	0,0492				-	37	12,9	14,6	0,0523				-	57	13,8	15,5	0,0605			-	80	14,8	16,5	0,0697		-	105	15,9	18,9	0,0800	-	130	17	20	0,0902	10	155	17,4	20,4		0,0882	15	160	17,6		20,6		0,0900	35		180		18,4	21,4		0,0972			50		195	19,1			22,1	0,1026	60	205	19,5			22,5	0,1062	70	230	20,6	23,6		0,1152	80		280	22,8	25,8	0,1332	90	235	20,8	23,8	0,1170	110	255	21,7	24,7	0,1242	135	280	22																																																																																																																																																																																																																																																																																																																																																																																																																																																																																																																																																																																																																																																																																																																																																																																																																																																																																																																																
	-	130	17	20		0,0902		10	155		17,4		20,4	0,0882		15			160		17,6			20,6	0,0900	35			180	18,4	21,4	0,0972		50	195	19,1		22,1	0,1026	60	205	19,5	22,5	0,1062	70	230	20,6	23,6	0,1152	80	280	22,8	25,8	0,1332	90	235	20,8	23,8	0,1170	110	255	21,7	24,7	0,1242	135	280	22,8	25,8	0,1332	225 x	180	235	27,1	30,1	0,1692	BFL	280		-	80	15,4	17,1	0,0782		BFL		-	-	9,8	11,5	0,0246				-	-	10,3	12	0,0287				-	-	10,8	12,5	0,0338				-	5	11,4	13,1	0,0390				-	20	12,1	13,8	0,0451				-	30	12,5	14,2	0,0492				-	37	12,9	14,6	0,0523				-	57	13,8	15,5	0,0605				-	80	14,8	16,5	0,0697			-	105	15,9	18,9	0,0800		-	130	17	20	0,0902		10	155	17,4	20,4		0,0882		15	160		17,6		20,6	0,0900		35			180	18,4	21,4			0,0972	50	195	19,1		22,1	0,1026	60	205		19,5	22,5	0,1062	70	230	20,6	23,6	0,1152	80	280	22,8	25,8	0,1332	90	235	20,8	23,8	0,1170	110	255	21,7	24,7	0,1242	135	280	22,8	25,8	0,1332	225 x	180	235	27,1	30,1	0,1692	BFL	280		-	105	16,6	19,6	0,0897		BFL		-	-	9,8	11,5	0,0246				-	-	10,3	12	0,0287				-	-	10,8	12,5	0,0338				-	5	11,4	13,1	0,0390				-	20	12,1	13,8	0,0451				-	30	12,5	14,2	0,0492				-	37	12,9	14,6	0,0523				-	57	13,8	15,5	0,0605				-	80	14,8	16,5	0,0697			-	105	15,9	18,9	0,0800		-	130	17	20	0,0902	10	155	17,4		20,4	0,0882	15	160		17,6		20,6	0,0900		35		180	18,4		21,4			0,0972	50	195			19,1	22,1	0,1026	60	205		19,5	22,5	0,1062	70		230	20,6	23,6	0,1152	80	280	22,8	25,8	0,1332	90	235	20,8	23,8	0,1170	110	255	21,7	24,7	0,1242	135	280	22,8	25,8	0,1332	225 x	180	235	27,1	30,1	0,1692	BFL	280		-	130	17,8	20,8	0,1012		BFL		-	-	9,8	11,5	0,0246				-	-	10,3	12	0,0287				-	-	10,8	12,5	0,0338				-	5	11,4	13,1	0,0390				-	20	12,1	13,8	0,0451				-	30	12,5	14,2	0,0492				-	37	12,9	14,6	0,0523				-	57	13,8	15,5	0,0605				-	80	14,8	16,5	0,0697			-	105	15,9	18,9	0,0800		-	130	17	20	0,0902	10	155	17,4	20,4	0,0882	15		160	17,6	20,6	0,0900		35		180	18,4		21,4		0,0972	50		195			19,1	22,1	0,1026			60	205	19,5	22,5	0,1062		70	230	20,6	23,6	0,1152		80	280	22,8	25,8	0,1332	90	235	20,8	23,8	0,1170	110	255	21,7	24,7	0,1242	135	280	22,8	25,8	0,1332	225 x	180	235	27,1	30,1	0,1692	BFL	280		-	155	18,9	21,9	0,1127		BFL		-	-	9,8	11,5	0,0246				-	-	10,3	12	0,0287				-	-	10,8	12,5	0,0338				-	5	11,4	13,1	0,0390				-	20	12,1	13,8	0,0451				-	30	12,5	14,2	0,0492				-	37	12,9	14,6	0,0523				-	57	13,8	15,5	0,0605				-	80	14,8	16,5	0,0697			-	105	15,9	18,9	0,0800		-	130	17	20	0,0902	10	155	17,4	20,4	0,0882	15	160	17,6	20,6		0,0900	35	180	18,4		21,4		0,0972	50		195		19,1	22,1		0,1026			60	205	19,5	22,5			0,1062	70	230	20,6	23,6	0,1152		80	280	22,8	25,8	0,1332	90		235	20,8	23,8	0,1170	110	255	21,7	24,7	0,1242	135	280	22																																																																																																																																																																																																																																																																																																																																																																																																																																																																																																																																																																																																																																																																																																																																																																																																																																																																																																																																								
	10	155	17,4	20,4		0,0882		15	160		17,6		20,6	0,0900		35			180	18,4	21,4			0,0972	50	195	19,1		22,1	0,1026	60	205		19,5	22,5	0,1062	70	230	20,6	23,6	0,1152	80	280	22,8	25,8	0,1332	90	235	20,8	23,8	0,1170	110	255	21,7	24,7	0,1242	135	280	22,8	25,8	0,1332	225 x	180	235	27,1	30,1	0,1692	BFL	280		-	80	15,4	17,1	0,0782		BFL		-	-	9,8	11,5	0,0246				-	-	10,3	12	0,0287				-	-	10,8	12,5	0,0338				-	5	11,4	13,1	0,0390				-	20	12,1	13,8	0,0451				-	30	12,5	14,2	0,0492				-	37	12,9	14,6	0,0523				-	57	13,8	15,5	0,0605				-	80	14,8	16,5	0,0697				-	105	15,9	18,9	0,0800			-	130	17	20	0,0902		10	155	17,4	20,4	0,0882		15	160	17,6	20,6		0,0900		35	180		18,4		21,4	0,0972	50	195			19,1	22,1	0,1026	60		205	19,5	22,5	0,1062		70	230	20,6	23,6	0,1152	80	280	22,8	25,8	0,1332	90	235	20,8	23,8	0,1170	110	255	21,7	24,7	0,1242	135	280	22,8	25,8	0,1332	225 x	180	235	27,1	30,1	0,1692	BFL	280		-	105	16,6	19,6	0,0897		BFL		-	-	9,8	11,5	0,0246				-	-	10,3	12	0,0287				-	-	10,8	12,5	0,0338				-	5	11,4	13,1	0,0390				-	20	12,1	13,8	0,0451				-	30	12,5	14,2	0,0492				-	37	12,9	14,6	0,0523				-	57	13,8	15,5	0,0605				-	80	14,8	16,5	0,0697				-	105	15,9	18,9	0,0800			-	130	17	20	0,0902		10	155	17,4	20,4	0,0882	15	160	17,6		20,6	0,0900	35	180		18,4		21,4	0,0972		50		195	19,1	22,1	0,1026			60	205	19,5	22,5		0,1062	70	230	20,6	23,6		0,1152	80	280	22,8	25,8	0,1332	90	235	20,8	23,8	0,1170	110	255	21,7	24,7	0,1242	135	280	22,8	25,8	0,1332	225 x	180	235	27,1	30,1	0,1692	BFL	280		-	130	17,8	20,8	0,1012		BFL		-	-	9,8	11,5	0,0246				-	-	10,3	12	0,0287				-	-	10,8	12,5	0,0338				-	5	11,4	13,1	0,0390				-	20	12,1	13,8	0,0451				-	30	12,5	14,2	0,0492				-	37	12,9	14,6	0,0523				-	57	13,8	15,5	0,0605				-	80	14,8	16,5	0,0697				-	105	15,9	18,9	0,0800			-	130	17	20	0,0902		10	155	17,4	20,4	0,0882	15	160	17,6	20,6	0,0900	35		180	18,4	21,4	0,0972		50		195	19,1		22,1		0,1026	60	205	19,5			22,5	0,1062	70	230		20,6	23,6	0,1152	80	280		22,8	25,8	0,1332	90	235	20,8	23,8	0,1170	110	255	21,7	24,7	0,1242	135	280	22,8	25,8	0,1332	225 x	180	235	27,1	30,1	0,1692	BFL	280		-	155	18,9	21,9	0,1127		BFL		-	-	9,8	11,5	0,0246				-	-	10,3	12	0,0287				-	-	10,8	12,5	0,0338				-	5	11,4	13,1	0,0390				-	20	12,1	13,8	0,0451				-	30	12,5	14,2	0,0492				-	37	12,9	14,6	0,0523				-	57	13,8	15,5	0,0605				-	80	14,8	16,5	0,0697				-	105	15,9	18,9	0,0800			-	130	17	20	0,0902		10	155	17,4	20,4	0,0882	15	160	17,6	20,6	0,0900	35	180	18,4	21,4		0,0972	50	195	19,1		22,1		0,1026	60		205		19,5	22,5	0,1062	70			230	20,6	23,6	0,1152	80		280	22,8	25,8	0,1332	90	235		20,8	23,8	0,1170	110	255	21,7	24,7	0,1242	135	280	22																																																																																																																																																																																																																																																																																																																																																																																																																																																																																																																																																																																																																																																																																																																																																																																																																																																																																																																																																
	15	160	17,6	20,6		0,0900		35	180		18,4		21,4	0,0972	50	195			19,1	22,1	0,1026	60		205	19,5	22,5	0,1062		70	230	20,6	23,6	0,1152	80	280	22,8	25,8	0,1332	90	235	20,8	23,8	0,1170	110	255	21,7	24,7	0,1242	135	280	22,8	25,8	0,1332	225 x	180	235	27,1	30,1	0,1692	BFL	280		-	80	15,4	17,1	0,0782		BFL		-	-	9,8	11,5	0,0246				-	-	10,3	12	0,0287				-	-	10,8	12,5	0,0338				-	5	11,4	13,1	0,0390				-	20	12,1	13,8	0,0451				-	30	12,5	14,2	0,0492				-	37	12,9	14,6	0,0523				-	57	13,8	15,5	0,0605				-	80	14,8	16,5	0,0697				-	105	15,9	18,9	0,0800				-	130	17	20	0,0902			10	155	17,4	20,4	0,0882		15	160	17,6	20,6	0,0900		35	180	18,4	21,4		0,0972		50	195	19,1	22,1		0,1026	60	205	19,5	22,5		0,1062	70	230	20,6		23,6	0,1152	80	280	22,8	25,8	0,1332	90	235	20,8	23,8	0,1170	110	255	21,7	24,7	0,1242	135	280	22,8	25,8	0,1332	225 x	180	235	27,1	30,1	0,1692	BFL	280		-	105	16,6	19,6	0,0897		BFL		-	-	9,8	11,5	0,0246				-	-	10,3	12	0,0287				-	-	10,8	12,5	0,0338				-	5	11,4	13,1	0,0390				-	20	12,1	13,8	0,0451				-	30	12,5	14,2	0,0492				-	37	12,9	14,6	0,0523				-	57	13,8	15,5	0,0605				-	80	14,8	16,5	0,0697				-	105	15,9	18,9	0,0800				-	130	17	20	0,0902			10	155	17,4	20,4	0,0882		15	160	17,6	20,6	0,0900	35	180	18,4		21,4	0,0972	50	195		19,1		22,1	0,1026	60	205		19,5	22,5	0,1062	70	230		20,6	23,6	0,1152	80		280	22,8	25,8	0,1332	90	235	20,8	23,8	0,1170	110	255	21,7	24,7	0,1242	135	280	22,8	25,8	0,1332	225 x	180	235	27,1	30,1	0,1692	BFL	280		-	130	17,8	20,8	0,1012		BFL		-	-	9,8	11,5	0,0246				-	-	10,3	12	0,0287				-	-	10,8	12,5	0,0338				-	5	11,4	13,1	0,0390				-	20	12,1	13,8	0,0451				-	30	12,5	14,2	0,0492				-	37	12,9	14,6	0,0523				-	57	13,8	15,5	0,0605				-	80	14,8	16,5	0,0697				-	105	15,9	18,9	0,0800				-	130	17	20	0,0902			10	155	17,4	20,4	0,0882		15	160	17,6	20,6	0,0900	35	180	18,4	21,4	0,0972	50		195	19,1	22,1	0,1026		60		205	19,5	22,5	0,1062		70	230	20,6	23,6	0,1152		80	280	22,8	25,8		0,1332	90	235	20,8	23,8	0,1170	110	255	21,7	24,7	0,1242	135	280	22,8	25,8	0,1332	225 x	180	235	27,1	30,1	0,1692	BFL	280		-	155	18,9	21,9	0,1127		BFL		-	-	9,8	11,5	0,0246				-	-	10,3	12	0,0287				-	-	10,8	12,5	0,0338				-	5	11,4	13,1	0,0390				-	20	12,1	13,8	0,0451				-	30	12,5	14,2	0,0492				-	37	12,9	14,6	0,0523				-	57	13,8	15,5	0,0605				-	80	14,8	16,5	0,0697				-	105	15,9	18,9	0,0800				-	130	17	20	0,0902			10	155	17,4	20,4	0,0882		15	160	17,6	20,6	0,0900	35	180	18,4	21,4	0,0972	50	195	19,1	22,1		0,1026	60	205	19,5		22,5		0,1062	70	230	20,6		23,6	0,1152	80	280	22,8		25,8	0,1332	90	235	20,8		23,8	0,1170	110	255	21,7	24,7	0,1242	135	280	22																																																																																																																																																																																																																																																																																																																																																																																																																																																																																																																																																																																																																																																																																																																																																																																																																																																																																																																																																								
	35	180	18,4	21,4		0,0972		50	195	19,1	22,1		0,1026	60	205	19,5	22,5		0,1062	70	230	20,6		23,6	0,1152	80	280	22,8	25,8	0,1332	90	235	20,8	23,8	0,1170	110	255	21,7	24,7	0,1242	135	280	22,8	25,8	0,1332	225 x	180	235	27,1	30,1	0,1692	BFL	280		-	80	15,4	17,1	0,0782		BFL		-	-	9,8	11,5	0,0246				-	-	10,3	12	0,0287				-	-	10,8	12,5	0,0338				-	5	11,4	13,1	0,0390				-	20	12,1	13,8	0,0451				-	30	12,5	14,2	0,0492				-	37	12,9	14,6	0,0523				-	57	13,8	15,5	0,0605				-	80	14,8	16,5	0,0697				-	105	15,9	18,9	0,0800				-	130	17	20	0,0902				10	155	17,4	20,4	0,0882			15	160	17,6	20,6	0,0900		35	180	18,4	21,4	0,0972		50	195	19,1	22,1	0,1026	60		205	19,5	22,5	0,1062	70	230	20,6	23,6	0,1152	80		280	22,8	25,8	0,1332	90	235	20,8	23,8	0,1170	110	255	21,7	24,7	0,1242	135	280	22,8	25,8	0,1332	225 x	180	235	27,1	30,1	0,1692	BFL	280		-	105	16,6	19,6	0,0897		BFL		-	-	9,8	11,5	0,0246				-	-	10,3	12	0,0287				-	-	10,8	12,5	0,0338				-	5	11,4	13,1	0,0390				-	20	12,1	13,8	0,0451				-	30	12,5	14,2	0,0492				-	37	12,9	14,6	0,0523				-	57	13,8	15,5	0,0605				-	80	14,8	16,5	0,0697				-	105	15,9	18,9	0,0800				-	130	17	20	0,0902				10	155	17,4	20,4	0,0882			15	160	17,6	20,6	0,0900		35	180	18,4	21,4	0,0972	50	195	19,1		22,1	0,1026	60	205	19,5	22,5		0,1062	70	230	20,6	23,6	0,1152	80	280	22,8	25,8		0,1332	90	235	20,8	23,8	0,1170	110	255	21,7	24,7	0,1242	135	280	22,8	25,8	0,1332	225 x	180	235	27,1	30,1	0,1692	BFL	280		-	130	17,8	20,8	0,1012		BFL		-	-	9,8	11,5	0,0246				-	-	10,3	12	0,0287				-	-	10,8	12,5	0,0338				-	5	11,4	13,1	0,0390				-	20	12,1	13,8	0,0451				-	30	12,5	14,2	0,0492				-	37	12,9	14,6	0,0523				-	57	13,8	15,5	0,0605				-	80	14,8	16,5	0,0697				-	105	15,9	18,9	0,0800				-	130	17	20	0,0902				10	155	17,4	20,4	0,0882			15	160	17,6	20,6	0,0900		35	180	18,4	21,4	0,0972	50	195	19,1	22,1	0,1026	60		205	19,5	22,5	0,1062	70	230		20,6	23,6	0,1152	80	280	22,8	25,8	0,1332	90	235		20,8	23,8	0,1170	110	255	21,7	24,7	0,1242	135	280	22,8	25,8	0,1332	225 x	180	235	27,1	30,1	0,1692	BFL	280		-	155	18,9	21,9	0,1127		BFL		-	-	9,8	11,5	0,0246				-	-	10,3	12	0,0287				-	-	10,8	12,5	0,0338				-	5	11,4	13,1	0,0390				-	20	12,1	13,8	0,0451				-	30	12,5	14,2	0,0492				-	37	12,9	14,6	0,0523				-	57	13,8	15,5	0,0605				-	80	14,8	16,5	0,0697				-	105	15,9	18,9	0,0800				-	130	17	20	0,0902				10	155	17,4	20,4	0,0882			15	160	17,6	20,6	0,0900		35	180	18,4	21,4	0,0972	50	195	19,1	22,1	0,1026	60	205	19,5	22,5		0,1062	70	230	20,6	23,6	0,1152		80	280	22,8	25,8	0,1332	90	235	20,8	23,8	0,1170		110	255	21,7	24,7	0,1242	135	280	22																																																																																																																																																																																																																																																																																																																																																																																																																																																																																																																																																																																																																																																																																																																																																																																																																																																																																																																																																																
	50	195	19,1	22,1	0,1026	60		205	19,5	22,5	0,1062	70	230	20,6	23,6	0,1152	80		280	22,8	25,8	0,1332	90	235	20,8	23,8	0,1170	110	255	21,7	24,7	0,1242	135	280	22,8	25,8	0,1332	225 x	180	235	27,1	30,1	0,1692	BFL	280		-	80	15,4	17,1	0,0782		BFL		-	-	9,8	11,5	0,0246				-	-	10,3	12	0,0287				-	-	10,8	12,5	0,0338				-	5	11,4	13,1	0,0390				-	20	12,1	13,8	0,0451				-	30	12,5	14,2	0,0492				-	37	12,9	14,6	0,0523				-	57	13,8	15,5	0,0605				-	80	14,8	16,5	0,0697				-	105	15,9	18,9	0,0800				-	130	17	20	0,0902				10	155	17,4	20,4	0,0882				15	160	17,6	20,6	0,0900			35	180	18,4	21,4	0,0972		50	195	19,1	22,1	0,1026	60	205	19,5	22,5	0,1062	70	230	20,6	23,6	0,1152	80	280	22,8	25,8	0,1332	90	235	20,8	23,8	0,1170	110	255	21,7	24,7	0,1242	135	280	22,8	25,8	0,1332	225 x	180	235	27,1	30,1	0,1692	BFL	280		-	105	16,6	19,6	0,0897		BFL		-	-	9,8	11,5	0,0246				-	-	10,3	12	0,0287				-	-	10,8	12,5	0,0338				-	5	11,4	13,1	0,0390				-	20	12,1	13,8	0,0451				-	30	12,5	14,2	0,0492				-	37	12,9	14,6	0,0523				-	57	13,8	15,5	0,0605				-	80	14,8	16,5	0,0697				-	105	15,9	18,9	0,0800				-	130	17	20	0,0902				10	155	17,4	20,4	0,0882				15	160	17,6	20,6	0,0900			35	180	18,4	21,4	0,0972		50	195	19,1	22,1	0,1026	60	205	19,5	22,5	0,1062	70	230	20,6	23,6	0,1152	80	280	22,8	25,8	0,1332	90	235	20,8	23,8	0,1170	110	255	21,7	24,7	0,1242	135	280	22,8	25,8	0,1332	225 x	180	235	27,1	30,1	0,1692	BFL	280		-	130	17,8	20,8	0,1012		BFL		-	-	9,8	11,5	0,0246				-	-	10,3	12	0,0287				-	-	10,8	12,5	0,0338				-	5	11,4	13,1	0,0390				-	20	12,1	13,8	0,0451				-	30	12,5	14,2	0,0492				-	37	12,9	14,6	0,0523				-	57	13,8	15,5	0,0605				-	80	14,8	16,5	0,0697				-	105	15,9	18,9	0,0800				-	130	17	20	0,0902				10	155	17,4	20,4	0,0882				15	160	17,6	20,6	0,0900			35	180	18,4	21,4	0,0972		50	195	19,1	22,1	0,1026	60	205	19,5	22,5	0,1062	70	230	20,6	23,6	0,1152	80	280	22,8	25,8	0,1332	90	235	20,8	23,8	0,1170	110	255	21,7	24,7	0,1242	135	280	22,8	25,8	0,1332	225 x	180	235	27,1	30,1	0,1692	BFL	280		-	155	18,9	21,9	0,1127		BFL		-	-	9,8	11,5	0,0246				-	-	10,3	12	0,0287				-	-	10,8	12,5	0,0338				-	5	11,4	13,1	0,0390				-	20	12,1	13,8	0,0451				-	30	12,5	14,2	0,0492				-	37	12,9	14,6	0,0523				-	57	13,8	15,5	0,0605				-	80	14,8	16,5	0,0697				-	105	15,9	18,9	0,0800				-	130	17	20	0,0902				10	155	17,4	20,4	0,0882				15	160	17,6	20,6	0,0900			35	180	18,4	21,4	0,0972		50	195	19,1	22,1	0,1026	60	205	19,5	22,5	0,1062	70	230	20,6	23,6	0,1152	80	280	22,8	25,8	0,1332	90	235	20,8	23,8	0,1170	110	255	21,7	24,7	0,1242	135	280	22																																																																																																																																																																																																																																																																																																																																																																																																																																																																																																																																																																																																																																																																																																																																																																																																																																																																																																																																																																								
60	205	19,5	22,5	0,1062	70	230	20,6	23,6	0,1152	80	280	22,8	25,8	0,1332	90	235	20,8	23,8	0,1170	110	255	21,7	24,7	0,1242	135	280	22,8	25,8	0,1332	225 x	180	235	27,1	30,1	0,1692	BFL	280		-	80	15,4	17,1	0,0782		BFL		-	-	9,8	11,5	0,0246				-	-	10,3	12	0,0287				-	-	10,8	12,5	0,0338				-	5	11,4	13,1	0,0390				-	20	12,1	13,8	0,0451				-	30	12,5	14,2	0,0492				-	37	12,9	14,6	0,0523				-	57	13,8	15,5	0,0605				-	80	14,8	16,5	0,0697				-	105	15,9	18,9	0,0800				-	130	17	20	0,0902				10	155	17,4	20,4	0,0882				15	160	17,6	20,6	0,0900				35	180	18,4	21,4	0,0972			50	195	19,1	22,1	0,1026		60	205	19,5	22,5	0,1062	70	230	20,6	23,6	0,1152	80	280	22,8	25,8	0,1332	90	235	20,8	23,8	0,1170	110	255	21,7	24,7	0,1242	135	280	22,8	25,8	0,1332	225 x	180	235	27,1	30,1		0,1692	BFL	280	-	105		16,6		19,6	0,0897	BFL	-	-				9,8	11,5	0,0246	-	-				10,3	12	0,0287	-	-				10,8	12,5	0,0338	-	5				11,4	13,1	0,0390	-	20				12,1	13,8	0,0451	-	30				12,5	14,2	0,0492	-	37				12,9	14,6	0,0523	-	57				13,8	15,5	0,0605	-	80				14,8	16,5	0,0697	-	105				15,9	18,9	0,0800	-	130				17	20	0,0902	10	155				17,4	20,4	0,0882	15	160				17,6	20,6	0,0900	35	180			18,4	21,4	0,0972	50	195		19,1	22,1	0,1026	60	205	19,5	22,5	0,1062	70	230	20,6	23,6	0,1152	80	280	22,8	25,8	0,1332	90	235	20,8	23,8	0,1170	110	255	21,7	24,7	0,1242	135	280	22,8	25,8	0,1332	225 x	180		235	27,1	30,1	0,1692	BFL		280		-	130	17,8	20,8	0,1012				BFL	-	-	9,8	11,5				0,0246	-	-	10,3	12				0,0287	-	-	10,8	12,5				0,0338	-	5	11,4	13,1				0,0390	-	20	12,1	13,8				0,0451	-	30	12,5	14,2				0,0492	-	37	12,9	14,6				0,0523	-	57	13,8	15,5				0,0605	-	80	14,8	16,5				0,0697	-	105	15,9	18,9				0,0800	-	130	17	20				0,0902	10	155	17,4	20,4				0,0882	15	160	17,6	20,6			0,0900	35	180	18,4	21,4		0,0972	50	195	19,1	22,1	0,1026	60	205	19,5	22,5	0,1062	70	230	20,6	23,6	0,1152	80	280	22,8	25,8	0,1332	90	235	20,8	23,8	0,1170	110	255	21,7	24,7	0,1242	135	280	22,8	25,8		0,1332	225 x	180	235	27,1		30,1		0,1692	BFL	280	-	155				18,9	21,9	0,1127	BFL	-				-	9,8	11,5	0,0246	-				-	10,3	12	0,0287	-				-	10,8	12,5	0,0338	-				5	11,4	13,1	0,0390	-				20	12,1	13,8	0,0451	-				30	12,5	14,2	0,0492	-				37	12,9	14,6	0,0523	-				57	13,8	15,5	0,0605	-				80	14,8	16,5	0,0697	-				105	15,9	18,9	0,0800	-				130	17	20	0,0902	10				155	17,4	20,4	0,0882	15			160	17,6	20,6	0,0900	35		180	18,4	21,4	0,0972	50	195	19,1	22,1	0,1026	60	205	19,5	22,5	0,1062	70	230	20,6	23,6	0,1152	80	280	22,8	25,8	0,1332	90	235	20,8	23,8	0,1170	110	255	21,7	24,7	0,1242	135	280	22																																																																																																																																																																																																																																																																																																																																																																																																																																																																																																																																																																																																																																																																																																																																																																																																																																																																																																																																																																				
70	230	20,6	23,6	0,1152	80	280	22,8	25,8	0,1332	90	235	20,8	23,8	0,1170	110	255	21,7	24,7	0,1242	135	280	22,8	25,8	0,1332	225 x	180	235	27,1	30,1		0,1692	BFL	280	-	80		15,4		17,1	0,0782	BFL	-	-				9,8	11,5	0,0246	-	-				10,3	12	0,0287	-	-				10,8	12,5	0,0338	-	5				11,4	13,1	0,0390	-	20				12,1	13,8	0,0451	-	30				12,5	14,2	0,0492	-	37				12,9	14,6	0,0523	-	57				13,8	15,5	0,0605	-	80				14,8	16,5	0,0697	-	105				15,9	18,9	0,0800	-	130				17	20	0,0902	10	155				17,4	20,4	0,0882	15	160				17,6	20,6	0,0900	35	180			18,4	21,4	0,0972	50	195	19,1	22,1		0,1026	60	205	19,5	22,5	0,1062	70	230	20,6	23,6	0,1152	80	280	22,8	25,8	0,1332	90	235	20,8	23,8	0,1170	110	255	21,7	24,7	0,1242	135	280	22,8	25,8	0,1332	225 x	180	235	27,1	30,1		0,1692	BFL	280	-		105		16,6	19,6	0,0897		BFL		-	-		9,8	11,5				0,0246	-	-	10,3	12				0,0287	-	-	10,8	12,5				0,0338	-	5	11,4	13,1				0,0390	-	20	12,1	13,8				0,0451	-	30	12,5	14,2				0,0492	-	37	12,9	14,6				0,0523	-	57	13,8	15,5				0,0605	-	80	14,8	16,5				0,0697	-	105	15,9	18,9				0,0800	-	130	17	20				0,0902	10	155	17,4	20,4				0,0882	15	160	17,6	20,6			0,0900	35	180	18,4	21,4	0,0972	50		195	19,1	22,1	0,1026	60	205	19,5	22,5	0,1062	70	230	20,6	23,6	0,1152	80	280	22,8	25,8	0,1332	90	235	20,8	23,8	0,1170	110	255	21,7	24,7	0,1242	135	280	22,8	25,8	0,1332	225 x	180	235	27,1	30,1		0,1692		BFL	280	-	130			17,8		20,8	0,1012	BFL	-	-					9,8	11,5	0,0246	-				-	10,3	12	0,0287	-				-	10,8	12,5	0,0338	-				5	11,4	13,1	0,0390	-				20	12,1	13,8	0,0451	-				30	12,5	14,2	0,0492	-				37	12,9	14,6	0,0523	-				57	13,8	15,5	0,0605	-				80	14,8	16,5	0,0697	-				105	15,9	18,9	0,0800	-				130	17	20	0,0902	10				155	17,4	20,4	0,0882	15			160	17,6	20,6	0,0900	35	180	18,4		21,4	0,0972	50	195	19,1	22,1	0,1026	60	205	19,5	22,5	0,1062	70	230	20,6	23,6	0,1152	80	280	22,8	25,8	0,1332	90	235	20,8	23,8	0,1170	110	255	21,7	24,7	0,1242	135	280	22,8	25,8	0,1332	225 x	180	235	27,1		30,1		0,1692	BFL	280		-		155		18,9	21,9	0,1127				BFL	-	-		9,8				11,5	0,0246	-	-	10,3				12	0,0287	-	-	10,8				12,5	0,0338	-	5	11,4				13,1	0,0390	-	20	12,1				13,8	0,0451	-	30	12,5				14,2	0,0492	-	37	12,9				14,6	0,0523	-	57	13,8				15,5	0,0605	-	80	14,8				16,5	0,0697	-	105	15,9				18,9	0,0800	-	130	17				20	0,0902	10	155	17,4			20,4	0,0882	15	160	17,6	20,6	0,0900		35	180	18,4	21,4	0,0972	50	195	19,1	22,1	0,1026	60	205	19,5	22,5	0,1062	70	230	20,6	23,6	0,1152	80	280	22,8	25,8	0,1332	90	235	20,8	23,8	0,1170	110	255	21,7	24,7	0,1242	135	280	22																																																																																																																																																																																																																																																																																																																																																																																																																																																																																																																																																																																																																																																																																																																																																																																																																																																																																																																																																																									
80	280	22,8	25,8	0,1332	90	235	20,8	23,8	0,1170	110	255	21,7	24,7	0,1242	135	280	22,8	25,8	0,1332	225 x	180	235	27,1	30,1		0,1692	BFL	280	-		80		15,4	17,1	0,0782		BFL		-	-		9,8	11,5				0,0246	-	-	10,3	12				0,0287	-	-	10,8	12,5				0,0338	-	5	11,4	13,1				0,0390	-	20	12,1	13,8				0,0451	-	30	12,5	14,2				0,0492	-	37	12,9	14,6				0,0523	-	57	13,8	15,5				0,0605	-	80	14,8	16,5				0,0697	-	105	15,9	18,9				0,0800	-	130	17	20				0,0902	10	155	17,4	20,4				0,0882	15	160	17,6	20,6			0,0900	35	180	18,4	21,4	0,0972	50		195	19,1	22,1	0,1026	60	205	19,5	22,5	0,1062	70	230	20,6	23,6	0,1152	80	280	22,8	25,8	0,1332	90	235	20,8	23,8	0,1170	110	255	21,7	24,7	0,1242	135	280	22,8	25,8	0,1332	225 x	180	235	27,1	30,1		0,1692	BFL	280	-		105		16,6	19,6		0,0897		BFL	-	-				9,8	11,5		0,0246	-				-	10,3	12	0,0287	-				-	10,8	12,5	0,0338	-				5	11,4	13,1	0,0390	-				20	12,1	13,8	0,0451	-				30	12,5	14,2	0,0492	-				37	12,9	14,6	0,0523	-				57	13,8	15,5	0,0605	-				80	14,8	16,5	0,0697	-				105	15,9	18,9	0,0800	-				130	17	20	0,0902	10				155	17,4	20,4	0,0882	15			160	17,6	20,6	0,0900	35	180	18,4		21,4	0,0972	50	195	19,1	22,1	0,1026	60	205	19,5	22,5	0,1062	70	230	20,6	23,6	0,1152	80	280	22,8	25,8	0,1332	90	235	20,8	23,8	0,1170	110	255	21,7	24,7	0,1242	135	280	22,8	25,8	0,1332	225 x	180	235	27,1	30,1		0,1692	BFL	280	-		130			17,8	20,8	0,1012			BFL		-	-		9,8	11,5					0,0246	-	-	10,3				12	0,0287	-	-	10,8				12,5	0,0338	-	5	11,4				13,1	0,0390	-	20	12,1				13,8	0,0451	-	30	12,5				14,2	0,0492	-	37	12,9				14,6	0,0523	-	57	13,8				15,5	0,0605	-	80	14,8				16,5	0,0697	-	105	15,9				18,9	0,0800	-	130	17				20	0,0902	10	155	17,4			20,4	0,0882	15	160	17,6	20,6	0,0900		35	180	18,4	21,4	0,0972	50	195	19,1	22,1	0,1026	60	205	19,5	22,5	0,1062	70	230	20,6	23,6	0,1152	80	280	22,8	25,8	0,1332	90	235	20,8	23,8	0,1170	110	255	21,7	24,7	0,1242	135	280	22,8	25,8	0,1332	225 x	180	235	27,1	30,1		0,1692	BFL	280		-		155		18,9		21,9		0,1127		BFL	-	-					9,8	11,5		0,0246				-	-	10,3	12	0,0287				-	-	10,8	12,5	0,0338				-	5	11,4	13,1	0,0390				-	20	12,1	13,8	0,0451				-	30	12,5	14,2	0,0492				-	37	12,9	14,6	0,0523				-	57	13,8	15,5	0,0605				-	80	14,8	16,5	0,0697				-	105	15,9	18,9	0,0800				-	130	17	20	0,0902			10	155	17,4	20,4	0,0882	15	160		17,6	20,6	0,0900	35	180	18,4	21,4	0,0972	50	195	19,1	22,1	0,1026	60	205	19,5	22,5	0,1062	70	230	20,6	23,6	0,1152	80	280	22,8	25,8	0,1332	90	235	20,8	23,8	0,1170	110	255	21,7	24,7	0,1242	135	280	22																																																																																																																																																																																																																																																																																																																																																																																																																																																																																																																																																																																																																																																																																																																																																																																																																																																																																																																																																																														
90	235	20,8	23,8	0,1170	110	255	21,7	24,7	0,1242	135	280	22,8	25,8	0,1332	225 x	180	235	27,1	30,1		0,1692	BFL	280	-		80		15,4	17,1		0,0782		BFL	-	-				9,8	11,5		0,0246	-				-	10,3	12	0,0287	-				-	10,8	12,5	0,0338	-				5	11,4	13,1	0,0390	-				20	12,1	13,8	0,0451	-				30	12,5	14,2	0,0492	-				37	12,9	14,6	0,0523	-				57	13,8	15,5	0,0605	-				80	14,8	16,5	0,0697	-				105	15,9	18,9	0,0800	-				130	17	20	0,0902	10				155	17,4	20,4	0,0882	15			160	17,6	20,6	0,0900	35	180	18,4		21,4	0,0972	50	195	19,1	22,1	0,1026	60	205	19,5	22,5	0,1062	70	230	20,6	23,6	0,1152	80	280	22,8	25,8	0,1332	90	235	20,8	23,8	0,1170	110	255	21,7	24,7	0,1242	135	280	22,8	25,8	0,1332	225 x	180	235	27,1	30,1		0,1692	BFL	280	-		105		16,6	19,6		0,0897		BFL	-		-			9,8	11,5				0,0246	-		-	10,3				12	0,0287	-	-	10,8				12,5	0,0338	-	5	11,4				13,1	0,0390	-	20	12,1				13,8	0,0451	-	30	12,5				14,2	0,0492	-	37	12,9				14,6	0,0523	-	57	13,8				15,5	0,0605	-	80	14,8				16,5	0,0697	-	105	15,9				18,9	0,0800	-	130	17				20	0,0902	10	155	17,4			20,4	0,0882	15	160	17,6	20,6	0,0900		35	180	18,4	21,4	0,0972	50	195	19,1	22,1	0,1026	60	205	19,5	22,5	0,1062	70	230	20,6	23,6	0,1152	80	280	22,8	25,8	0,1332	90	235	20,8	23,8	0,1170	110	255	21,7	24,7	0,1242	135	280	22,8	25,8	0,1332	225 x	180	235	27,1	30,1		0,1692	BFL	280	-		130		17,8	20,8		0,1012			BFL	-	-					9,8	11,5		0,0246	-					-	10,3	12	0,0287				-	-	10,8	12,5	0,0338				-	5	11,4	13,1	0,0390				-	20	12,1	13,8	0,0451				-	30	12,5	14,2	0,0492				-	37	12,9	14,6	0,0523				-	57	13,8	15,5	0,0605				-	80	14,8	16,5	0,0697				-	105	15,9	18,9	0,0800				-	130	17	20	0,0902			10	155	17,4	20,4	0,0882	15	160		17,6	20,6	0,0900	35	180	18,4	21,4	0,0972	50	195	19,1	22,1	0,1026	60	205	19,5	22,5	0,1062	70	230	20,6	23,6	0,1152	80	280	22,8	25,8	0,1332	90	235	20,8	23,8	0,1170	110	255	21,7	24,7	0,1242	135	280	22,8	25,8	0,1332	225 x	180	235	27,1	30,1		0,1692	BFL	280	-		155		18,9		21,9		0,1127		BFL		-		-			9,8	11,5					0,0246	-		-				10,3	12	0,0287	-	-				10,8	12,5	0,0338	-	5				11,4	13,1	0,0390	-	20				12,1	13,8	0,0451	-	30				12,5	14,2	0,0492	-	37				12,9	14,6	0,0523	-	57				13,8	15,5	0,0605	-	80				14,8	16,5	0,0697	-	105				15,9	18,9	0,0800	-	130			17	20	0,0902	10	155	17,4	20,4		0,0882	15	160	17,6	20,6	0,0900	35	180	18,4	21,4	0,0972	50	195	19,1	22,1	0,1026	60	205	19,5	22,5	0,1062	70	230	20,6	23,6	0,1152	80	280	22,8	25,8	0,1332	90	235	20,8	23,8	0,1170	110	255	21,7	24,7	0,1242	135	280	22																																																																																																																																																																																																																																																																																																																																																																																																																																																																																																																																																																																																																																																																																																																																																																																																																																																																																																																																																																																			
110	255	21,7	24,7	0,1242	135	280	22,8	25,8	0,1332	225 x	180	235	27,1	30,1		0,1692	BFL	280	-		80		15,4	17,1		0,0782		BFL	-		-			9,8	11,5				0,0246	-		-	10,3				12	0,0287	-	-	10,8				12,5	0,0338	-	5	11,4				13,1	0,0390	-	20	12,1				13,8	0,0451	-	30	12,5				14,2	0,0492	-	37	12,9				14,6	0,0523	-	57	13,8				15,5	0,0605	-	80	14,8				16,5	0,0697	-	105	15,9				18,9	0,0800	-	130	17				20	0,0902	10	155	17,4			20,4	0,0882	15	160	17,6	20,6	0,0900		35	180	18,4	21,4	0,0972	50	195	19,1	22,1	0,1026	60	205	19,5	22,5	0,1062	70	230	20,6	23,6	0,1152	80	280	22,8	25,8	0,1332	90	235	20,8	23,8	0,1170	110	255	21,7	24,7	0,1242	135	280	22,8	25,8	0,1332	225 x	180	235	27,1	30,1		0,1692	BFL	280	-		105		16,6	19,6		0,0897		BFL	-		-			9,8		11,5			0,0246	-				-	10,3		12	0,0287				-	-	10,8	12,5	0,0338				-	5	11,4	13,1	0,0390				-	20	12,1	13,8	0,0451				-	30	12,5	14,2	0,0492				-	37	12,9	14,6	0,0523				-	57	13,8	15,5	0,0605				-	80	14,8	16,5	0,0697				-	105	15,9	18,9	0,0800				-	130	17	20	0,0902			10	155	17,4	20,4	0,0882	15	160		17,6	20,6	0,0900	35	180	18,4	21,4	0,0972	50	195	19,1	22,1	0,1026	60	205	19,5	22,5	0,1062	70	230	20,6	23,6	0,1152	80	280	22,8	25,8	0,1332	90	235	20,8	23,8	0,1170	110	255	21,7	24,7	0,1242	135	280	22,8	25,8	0,1332	225 x	180	235	27,1	30,1		0,1692	BFL	280	-		130		17,8	20,8		0,1012		BFL	-		-				9,8	11,5					0,0246	-		-	10,3					12	0,0287	-	-				10,8	12,5	0,0338	-	5				11,4	13,1	0,0390	-	20				12,1	13,8	0,0451	-	30				12,5	14,2	0,0492	-	37				12,9	14,6	0,0523	-	57				13,8	15,5	0,0605	-	80				14,8	16,5	0,0697	-	105				15,9	18,9	0,0800	-	130			17	20	0,0902	10	155	17,4	20,4		0,0882	15	160	17,6	20,6	0,0900	35	180	18,4	21,4	0,0972	50	195	19,1	22,1	0,1026	60	205	19,5	22,5	0,1062	70	230	20,6	23,6	0,1152	80	280	22,8	25,8	0,1332	90	235	20,8	23,8	0,1170	110	255	21,7	24,7	0,1242	135	280	22,8	25,8	0,1332	225 x	180	235	27,1	30,1		0,1692	BFL	280	-		155		18,9	21,9		0,1127		BFL		-		-				9,8		11,5			0,0246	-					-	10,3		12				0,0287	-	-	10,8	12,5				0,0338	-	5	11,4	13,1				0,0390	-	20	12,1	13,8				0,0451	-	30	12,5	14,2				0,0492	-	37	12,9	14,6				0,0523	-	57	13,8	15,5				0,0605	-	80	14,8	16,5				0,0697	-	105	15,9	18,9			0,0800	-	130	17	20	0,0902	10		155	17,4	20,4	0,0882	15	160	17,6	20,6	0,0900	35	180	18,4	21,4	0,0972	50	195	19,1	22,1	0,1026	60	205	19,5	22,5	0,1062	70	230	20,6	23,6	0,1152	80	280	22,8	25,8	0,1332	90	235	20,8	23,8	0,1170	110	255	21,7	24,7	0,1242	135	280	22																																																																																																																																																																																																																																																																																																																																																																																																																																																																																																																																																																																																																																																																																																																																																																																																																																																																																																																																																																																								
135	280	22,8	25,8	0,1332	225 x	180	235	27,1	30,1		0,1692	BFL	280	-		80		15,4	17,1		0,0782		BFL	-		-			9,8		11,5			0,0246	-				-	10,3		12	0,0287				-	-	10,8	12,5	0,0338				-	5	11,4	13,1	0,0390				-	20	12,1	13,8	0,0451				-	30	12,5	14,2	0,0492				-	37	12,9	14,6	0,0523				-	57	13,8	15,5	0,0605				-	80	14,8	16,5	0,0697				-	105	15,9	18,9	0,0800				-	130	17	20	0,0902			10	155	17,4	20,4	0,0882	15	160		17,6	20,6	0,0900	35	180	18,4	21,4	0,0972	50	195	19,1	22,1	0,1026	60	205	19,5	22,5	0,1062	70	230	20,6	23,6	0,1152	80	280	22,8	25,8	0,1332	90	235	20,8	23,8	0,1170	110	255	21,7	24,7	0,1242	135	280	22,8	25,8	0,1332	225 x	180	235	27,1	30,1		0,1692	BFL	280	-		105		16,6	19,6		0,0897		BFL	-		-			9,8		11,5			0,0246		-			-	10,3				12	0,0287		-	-				10,8	12,5	0,0338	-	5				11,4	13,1	0,0390	-	20				12,1	13,8	0,0451	-	30				12,5	14,2	0,0492	-	37				12,9	14,6	0,0523	-	57				13,8	15,5	0,0605	-	80				14,8	16,5	0,0697	-	105				15,9	18,9	0,0800	-	130			17	20	0,0902	10	155	17,4	20,4		0,0882	15	160	17,6	20,6	0,0900	35	180	18,4	21,4	0,0972	50	195	19,1	22,1	0,1026	60	205	19,5	22,5	0,1062	70	230	20,6	23,6	0,1152	80	280	22,8	25,8	0,1332	90	235	20,8	23,8	0,1170	110	255	21,7	24,7	0,1242	135	280	22,8	25,8	0,1332	225 x	180	235	27,1	30,1		0,1692	BFL	280	-		130		17,8	20,8		0,1012		BFL	-		-			9,8		11,5				0,0246	-					-	10,3		12	0,0287					-	-	10,8	12,5				0,0338	-	5	11,4	13,1				0,0390	-	20	12,1	13,8				0,0451	-	30	12,5	14,2				0,0492	-	37	12,9	14,6				0,0523	-	57	13,8	15,5				0,0605	-	80	14,8	16,5				0,0697	-	105	15,9	18,9			0,0800	-	130	17	20	0,0902	10		155	17,4	20,4	0,0882	15	160	17,6	20,6	0,0900	35	180	18,4	21,4	0,0972	50	195	19,1	22,1	0,1026	60	205	19,5	22,5	0,1062	70	230	20,6	23,6	0,1152	80	280	22,8	25,8	0,1332	90	235	20,8	23,8	0,1170	110	255	21,7	24,7	0,1242	135	280	22,8	25,8	0,1332	225 x	180	235	27,1	30,1		0,1692	BFL	280	-		155		18,9	21,9		0,1127		BFL	-		-				9,8		11,5				0,0246		-			-	10,3					12	0,0287		-				-	10,8	12,5	0,0338	-				5	11,4	13,1	0,0390	-				20	12,1	13,8	0,0451	-				30	12,5	14,2	0,0492	-				37	12,9	14,6	0,0523	-				57	13,8	15,5	0,0605	-				80	14,8	16,5	0,0697	-			105	15,9	18,9	0,0800	-	130	17		20	0,0902	10	155	17,4	20,4	0,0882	15	160	17,6	20,6	0,0900	35	180	18,4	21,4	0,0972	50	195	19,1	22,1	0,1026	60	205	19,5	22,5	0,1062	70	230	20,6	23,6	0,1152	80	280	22,8	25,8	0,1332	90	235	20,8	23,8	0,1170	110	255	21,7	24,7	0,1242	135	280	22																																																																																																																																																																																																																																																																																																																																																																																																																																																																																																																																																																																																																																																																																																																																																																																																																																																																																																																																																																																													
225 x	180	235	27,1	30,1		0,1692	BFL	280	-		80		15,4	17,1		0,0782		BFL																																																																																																																																																																																																																																																																																																																																																																																																																																																																																																																																																																																																																																																																																																																																																																																																																																																																																																																																																																																																																																																																																																																																																																																																																																																																																																																																																																																																																																																																																																																																																																																																																																																													
	-	-	9,8	11,5		0,0246		-	-		10,3		12	0,0287		-			-		10,8			12,5		0,0338			-		5			11,4	13,1				0,0390	-		20	12,1				13,8	0,0451	-	30	12,5				14,2	0,0492	-	37	12,9				14,6	0,0523	-	57	13,8				15,5	0,0605	-	80	14,8				16,5	0,0697	-	105	15,9				18,9	0,0800	-	130	17				20	0,0902	10	155	17,4			20,4	0,0882	15	160	17,6	20,6	0,0900		35	180	18,4	21,4	0,0972	50	195	19,1	22,1	0,1026	60	205	19,5	22,5	0,1062	70	230	20,6	23,6	0,1152	80	280	22,8	25,8	0,1332	90	235	20,8	23,8	0,1170	110	255	21,7	24,7	0,1242	135	280	22,8	25,8	0,1332	225 x	180	235	27,1	30,1	0,1692	BFL	280	-	105	16,6	19,6	0,0897	BFL	-	-	9,8	11,5	0,0246		-	-	10,3	12		0,0287		-	-		10,8		12,5	0,0338		-			5		11,4			13,1		0,0390			-		20			12,1	13,8				0,0451	-		30	12,5				14,2	0,0492	-	37	12,9				14,6	0,0523	-	57	13,8				15,5	0,0605	-	80	14,8				16,5	0,0697	-	105	15,9				18,9	0,0800	-	130	17				20	0,0902	10	155	17,4			20,4	0,0882	15	160	17,6	20,6	0,0900		35	180	18,4	21,4	0,0972	50	195	19,1	22,1	0,1026	60	205	19,5	22,5	0,1062	70	230	20,6	23,6	0,1152	80	280	22,8	25,8	0,1332	90	235	20,8	23,8	0,1170	110	255	21,7	24,7	0,1242	135	280	22,8	25,8	0,1332	225 x	180	235	27,1	30,1	0,1692	BFL	280	-	130	17,8	20,8	0,1012	BFL	-	-	9,8	11,5	0,0246	-	-	10,3		12	0,0287	-	-		10,8		12,5	0,0338		-		5	11,4		13,1			0,0390		-			20		12,1				13,8	0,0451					-	30		12,5	14,2					0,0492	-	37	12,9				14,6	0,0523	-	57	13,8				15,5	0,0605	-	80	14,8				16,5	0,0697	-	105	15,9				18,9	0,0800	-	130	17				20	0,0902	10	155	17,4			20,4	0,0882	15	160	17,6	20,6	0,0900		35	180	18,4	21,4	0,0972	50	195	19,1	22,1	0,1026	60	205	19,5	22,5	0,1062	70	230	20,6	23,6	0,1152	80	280	22,8	25,8	0,1332	90	235	20,8	23,8	0,1170	110	255	21,7	24,7	0,1242	135	280	22,8	25,8	0,1332	225 x	180	235	27,1	30,1	0,1692	BFL	280	-	155	18,9	21,9	0,1127	BFL	-	-	9,8	11,5	0,0246	-	-	10,3	12	0,0287	-		-	10,8	12,5	0,0338		-		5	11,4		13,1		0,0390	-		20			12,1		13,8				0,0451		-				30		12,5			14,2	0,0492					-	37		12,9				14,6	0,0523	-	57	13,8				15,5	0,0605	-	80	14,8				16,5	0,0697	-	105	15,9				18,9	0,0800	-	130	17				20	0,0902	10	155	17,4			20,4	0,0882	15	160	17,6	20,6	0,0900		35	180	18,4	21,4	0,0972	50	195	19,1	22,1	0,1026	60	205	19,5	22,5	0,1062	70	230	20,6	23,6	0,1152	80	280	22,8	25,8	0,1332	90	235	20,8	23,8	0,1170	110	255	21,7	24,7	0,1242	135	280	22																																																																																																																																																																																																																																																																																																																																																																																																																																																																																																																																																																																																																																																																																																																																																																																																																																																																																																																																																																																																																									
	-	-	10,3	12		0,0287		-	-		10,8		12,5	0,0338		-			5		11,4			13,1		0,0390			-		20			12,1	13,8				0,0451	-		30	12,5				14,2	0,0492	-	37	12,9				14,6	0,0523	-	57	13,8				15,5	0,0605	-	80	14,8				16,5	0,0697	-	105	15,9				18,9	0,0800	-	130	17				20	0,0902	10	155	17,4			20,4	0,0882	15	160	17,6	20,6	0,0900		35	180	18,4	21,4	0,0972	50	195	19,1	22,1	0,1026	60	205	19,5	22,5	0,1062	70	230	20,6	23,6	0,1152	80	280	22,8	25,8	0,1332	90	235	20,8	23,8	0,1170	110	255	21,7	24,7	0,1242	135	280	22,8	25,8	0,1332	225 x	180	235	27,1	30,1	0,1692	BFL	280		-	105	16,6	19,6	0,0897		BFL	-	-	9,8	11,5	0,0246		-	-	10,3	12	0,0287		-	-	10,8	12,5		0,0338		-	5		11,4		13,1	0,0390		-			20		12,1			13,8		0,0451			-		30			12,5	14,2				0,0492	-		37	12,9				14,6	0,0523	-	57	13,8				15,5	0,0605	-	80	14,8				16,5	0,0697	-	105	15,9				18,9	0,0800	-	130	17				20	0,0902	10	155	17,4			20,4	0,0882	15	160	17,6	20,6	0,0900		35	180	18,4	21,4	0,0972	50	195	19,1	22,1	0,1026	60	205	19,5	22,5	0,1062	70	230	20,6	23,6	0,1152	80	280	22,8	25,8	0,1332	90	235	20,8	23,8	0,1170	110	255	21,7	24,7	0,1242	135	280	22,8	25,8	0,1332	225 x	180	235	27,1	30,1	0,1692	BFL	280		-	130	17,8	20,8	0,1012		BFL	-	-	9,8	11,5	0,0246		-	-	10,3	12	0,0287	-	-	10,8		12,5	0,0338	-	5		11,4		13,1	0,0390		-		20	12,1		13,8			0,0451		-			30		12,5				14,2	0,0492					-	37		12,9	14,6					0,0523	-	57	13,8				15,5	0,0605	-	80	14,8				16,5	0,0697	-	105	15,9				18,9	0,0800	-	130	17				20	0,0902	10	155	17,4			20,4	0,0882	15	160	17,6	20,6	0,0900		35	180	18,4	21,4	0,0972	50	195	19,1	22,1	0,1026	60	205	19,5	22,5	0,1062	70	230	20,6	23,6	0,1152	80	280	22,8	25,8	0,1332	90	235	20,8	23,8	0,1170	110	255	21,7	24,7	0,1242	135	280	22,8	25,8	0,1332	225 x	180	235	27,1	30,1	0,1692	BFL	280		-	155	18,9	21,9	0,1127		BFL	-	-	9,8	11,5	0,0246		-	-	10,3	12	0,0287	-	-	10,8	12,5	0,0338	-		5	11,4	13,1	0,0390		-		20	12,1		13,8		0,0451	-		30			12,5		14,2				0,0492		-				37		12,9			14,6	0,0523					-	57		13,8				15,5	0,0605	-	80	14,8				16,5	0,0697	-	105	15,9				18,9	0,0800	-	130	17				20	0,0902	10	155	17,4			20,4	0,0882	15	160	17,6	20,6	0,0900		35	180	18,4	21,4	0,0972	50	195	19,1	22,1	0,1026	60	205	19,5	22,5	0,1062	70	230	20,6	23,6	0,1152	80	280	22,8	25,8	0,1332	90	235	20,8	23,8	0,1170	110	255	21,7	24,7	0,1242	135	280	22																																																																																																																																																																																																																																																																																																																																																																																																																																																																																																																																																																																																																																																																																																																																																																																																																																																																																																																																																																																																																																	
	-	-	10,8	12,5		0,0338		-	5		11,4		13,1	0,0390		-			20		12,1			13,8		0,0451			-		30			12,5	14,2				0,0492	-		37	12,9				14,6	0,0523	-	57	13,8				15,5	0,0605	-	80	14,8				16,5	0,0697	-	105	15,9				18,9	0,0800	-	130	17				20	0,0902	10	155	17,4			20,4	0,0882	15	160	17,6	20,6	0,0900		35	180	18,4	21,4	0,0972	50	195	19,1	22,1	0,1026	60	205	19,5	22,5	0,1062	70	230	20,6	23,6	0,1152	80	280	22,8	25,8	0,1332	90	235	20,8	23,8	0,1170	110	255	21,7	24,7	0,1242	135	280	22,8	25,8	0,1332	225 x	180	235	27,1	30,1	0,1692	BFL	280		-	105	16,6	19,6	0,0897		BFL		-	-	9,8	11,5	0,0246			-	-	10,3	12	0,0287		-	-	10,8	12,5	0,0338		-	5	11,4	13,1		0,0390		-	20		12,1		13,8	0,0451		-			30		12,5			14,2		0,0492			-		37			12,9	14,6				0,0523	-		57	13,8				15,5	0,0605	-	80	14,8				16,5	0,0697	-	105	15,9				18,9	0,0800	-	130	17				20	0,0902	10	155	17,4			20,4	0,0882	15	160	17,6	20,6	0,0900		35	180	18,4	21,4	0,0972	50	195	19,1	22,1	0,1026	60	205	19,5	22,5	0,1062	70	230	20,6	23,6	0,1152	80	280	22,8	25,8	0,1332	90	235	20,8	23,8	0,1170	110	255	21,7	24,7	0,1242	135	280	22,8	25,8	0,1332	225 x	180	235	27,1	30,1	0,1692	BFL	280		-	130	17,8	20,8	0,1012		BFL		-	-	9,8	11,5	0,0246			-	-	10,3	12	0,0287		-	-	10,8	12,5	0,0338	-	5	11,4		13,1	0,0390	-	20		12,1		13,8	0,0451		-		30	12,5		14,2			0,0492		-			37		12,9				14,6	0,0523					-	57		13,8	15,5					0,0605	-	80	14,8				16,5	0,0697	-	105	15,9				18,9	0,0800	-	130	17				20	0,0902	10	155	17,4			20,4	0,0882	15	160	17,6	20,6	0,0900		35	180	18,4	21,4	0,0972	50	195	19,1	22,1	0,1026	60	205	19,5	22,5	0,1062	70	230	20,6	23,6	0,1152	80	280	22,8	25,8	0,1332	90	235	20,8	23,8	0,1170	110	255	21,7	24,7	0,1242	135	280	22,8	25,8	0,1332	225 x	180	235	27,1	30,1	0,1692	BFL	280		-	155	18,9	21,9	0,1127		BFL		-	-	9,8	11,5	0,0246			-	-	10,3	12	0,0287		-	-	10,8	12,5	0,0338	-	5	11,4	13,1	0,0390	-		20	12,1	13,8	0,0451		-		30	12,5		14,2		0,0492	-		37			12,9		14,6				0,0523		-				57		13,8			15,5	0,0605					-	80		14,8				16,5	0,0697	-	105	15,9				18,9	0,0800	-	130	17				20	0,0902	10	155	17,4			20,4	0,0882	15	160	17,6	20,6	0,0900		35	180	18,4	21,4	0,0972	50	195	19,1	22,1	0,1026	60	205	19,5	22,5	0,1062	70	230	20,6	23,6	0,1152	80	280	22,8	25,8	0,1332	90	235	20,8	23,8	0,1170	110	255	21,7	24,7	0,1242	135	280	22																																																																																																																																																																																																																																																																																																																																																																																																																																																																																																																																																																																																																																																																																																																																																																																																																																																																																																																																																																																																																																									
	-	5	11,4	13,1		0,0390		-	20		12,1		13,8	0,0451		-			30		12,5			14,2		0,0492			-		37			12,9	14,6				0,0523	-		57	13,8				15,5	0,0605	-	80	14,8				16,5	0,0697	-	105	15,9				18,9	0,0800	-	130	17				20	0,0902	10	155	17,4			20,4	0,0882	15	160	17,6	20,6	0,0900		35	180	18,4	21,4	0,0972	50	195	19,1	22,1	0,1026	60	205	19,5	22,5	0,1062	70	230	20,6	23,6	0,1152	80	280	22,8	25,8	0,1332	90	235	20,8	23,8	0,1170	110	255	21,7	24,7	0,1242	135	280	22,8	25,8	0,1332	225 x	180	235	27,1	30,1	0,1692	BFL	280		-	105	16,6	19,6	0,0897		BFL		-	-	9,8	11,5	0,0246				-	-	10,3	12	0,0287			-	-	10,8	12,5	0,0338		-	5	11,4	13,1	0,0390		-	20	12,1	13,8		0,0451		-	30		12,5		14,2	0,0492		-			37		12,9			14,6		0,0523			-		57			13,8	15,5				0,0605	-		80	14,8				16,5	0,0697	-	105	15,9				18,9	0,0800	-	130	17				20	0,0902	10	155	17,4			20,4	0,0882	15	160	17,6	20,6	0,0900		35	180	18,4	21,4	0,0972	50	195	19,1	22,1	0,1026	60	205	19,5	22,5	0,1062	70	230	20,6	23,6	0,1152	80	280	22,8	25,8	0,1332	90	235	20,8	23,8	0,1170	110	255	21,7	24,7	0,1242	135	280	22,8	25,8	0,1332	225 x	180	235	27,1	30,1	0,1692	BFL	280		-	130	17,8	20,8	0,1012		BFL		-	-	9,8	11,5	0,0246				-	-	10,3	12	0,0287			-	-	10,8	12,5	0,0338		-	5	11,4	13,1	0,0390	-	20	12,1		13,8	0,0451	-	30		12,5		14,2	0,0492		-		37	12,9		14,6			0,0523		-			57		13,8				15,5	0,0605					-	80		14,8	16,5					0,0697	-	105	15,9				18,9	0,0800	-	130	17				20	0,0902	10	155	17,4			20,4	0,0882	15	160	17,6	20,6	0,0900		35	180	18,4	21,4	0,0972	50	195	19,1	22,1	0,1026	60	205	19,5	22,5	0,1062	70	230	20,6	23,6	0,1152	80	280	22,8	25,8	0,1332	90	235	20,8	23,8	0,1170	110	255	21,7	24,7	0,1242	135	280	22,8	25,8	0,1332	225 x	180	235	27,1	30,1	0,1692	BFL	280		-	155	18,9	21,9	0,1127		BFL		-	-	9,8	11,5	0,0246				-	-	10,3	12	0,0287			-	-	10,8	12,5	0,0338		-	5	11,4	13,1	0,0390	-	20	12,1	13,8	0,0451	-		30	12,5	14,2	0,0492		-		37	12,9		14,6		0,0523	-		57			13,8		15,5				0,0605		-				80		14,8			16,5	0,0697					-	105		15,9				18,9	0,0800	-	130	17				20	0,0902	10	155	17,4			20,4	0,0882	15	160	17,6	20,6	0,0900		35	180	18,4	21,4	0,0972	50	195	19,1	22,1	0,1026	60	205	19,5	22,5	0,1062	70	230	20,6	23,6	0,1152	80	280	22,8	25,8	0,1332	90	235	20,8	23,8	0,1170	110	255	21,7	24,7	0,1242	135	280	22																																																																																																																																																																																																																																																																																																																																																																																																																																																																																																																																																																																																																																																																																																																																																																																																																																																																																																																																																																																																																																																	
	-	20	12,1	13,8		0,0451		-	30		12,5		14,2	0,0492		-			37		12,9			14,6		0,0523			-		57			13,8	15,5				0,0605	-		80	14,8				16,5	0,0697	-	105	15,9				18,9	0,0800	-	130	17				20	0,0902	10	155	17,4			20,4	0,0882	15	160	17,6	20,6	0,0900		35	180	18,4	21,4	0,0972	50	195	19,1	22,1	0,1026	60	205	19,5	22,5	0,1062	70	230	20,6	23,6	0,1152	80	280	22,8	25,8	0,1332	90	235	20,8	23,8	0,1170	110	255	21,7	24,7	0,1242	135	280	22,8	25,8	0,1332	225 x	180	235	27,1	30,1	0,1692	BFL	280		-	105	16,6	19,6	0,0897		BFL		-	-	9,8	11,5	0,0246				-	-	10,3	12	0,0287				-	-	10,8	12,5	0,0338			-	5	11,4	13,1	0,0390		-	20	12,1	13,8	0,0451		-	30	12,5	14,2		0,0492		-	37		12,9		14,6	0,0523		-			57		13,8			15,5		0,0605			-		80			14,8	16,5				0,0697	-		105	15,9				18,9	0,0800	-	130	17				20	0,0902	10	155	17,4			20,4	0,0882	15	160	17,6	20,6	0,0900		35	180	18,4	21,4	0,0972	50	195	19,1	22,1	0,1026	60	205	19,5	22,5	0,1062	70	230	20,6	23,6	0,1152	80	280	22,8	25,8	0,1332	90	235	20,8	23,8	0,1170	110	255	21,7	24,7	0,1242	135	280	22,8	25,8	0,1332	225 x	180	235	27,1	30,1	0,1692	BFL	280		-	130	17,8	20,8	0,1012		BFL		-	-	9,8	11,5	0,0246				-	-	10,3	12	0,0287				-	-	10,8	12,5	0,0338			-	5	11,4	13,1	0,0390		-	20	12,1	13,8	0,0451	-	30	12,5		14,2	0,0492	-	37		12,9		14,6	0,0523		-		57	13,8		15,5			0,0605		-			80		14,8				16,5	0,0697					-	105		15,9	18,9					0,0800	-	130	17				20	0,0902	10	155	17,4			20,4	0,0882	15	160	17,6	20,6	0,0900		35	180	18,4	21,4	0,0972	50	195	19,1	22,1	0,1026	60	205	19,5	22,5	0,1062	70	230	20,6	23,6	0,1152	80	280	22,8	25,8	0,1332	90	235	20,8	23,8	0,1170	110	255	21,7	24,7	0,1242	135	280	22,8	25,8	0,1332	225 x	180	235	27,1	30,1	0,1692	BFL	280		-	155	18,9	21,9	0,1127		BFL		-	-	9,8	11,5	0,0246				-	-	10,3	12	0,0287				-	-	10,8	12,5	0,0338			-	5	11,4	13,1	0,0390		-	20	12,1	13,8	0,0451	-	30	12,5	14,2	0,0492	-		37	12,9	14,6	0,0523		-		57	13,8		15,5		0,0605	-		80			14,8		16,5				0,0697		-				105		15,9			18,9	0,0800					-	130		17				20	0,0902	10	155	17,4			20,4	0,0882	15	160	17,6	20,6	0,0900		35	180	18,4	21,4	0,0972	50	195	19,1	22,1	0,1026	60	205	19,5	22,5	0,1062	70	230	20,6	23,6	0,1152	80	280	22,8	25,8	0,1332	90	235	20,8	23,8	0,1170	110	255	21,7	24,7	0,1242	135	280	22																																																																																																																																																																																																																																																																																																																																																																																																																																																																																																																																																																																																																																																																																																																																																																																																																																																																																																																																																																																																																																																									
	-	30	12,5	14,2		0,0492		-	37		12,9		14,6	0,0523		-			57		13,8			15,5		0,0605			-		80			14,8	16,5				0,0697	-		105	15,9				18,9	0,0800	-	130	17				20	0,0902	10	155	17,4			20,4	0,0882	15	160	17,6	20,6	0,0900		35	180	18,4	21,4	0,0972	50	195	19,1	22,1	0,1026	60	205	19,5	22,5	0,1062	70	230	20,6	23,6	0,1152	80	280	22,8	25,8	0,1332	90	235	20,8	23,8	0,1170	110	255	21,7	24,7	0,1242	135	280	22,8	25,8	0,1332	225 x	180	235	27,1	30,1	0,1692	BFL	280		-	105	16,6	19,6	0,0897		BFL		-	-	9,8	11,5	0,0246				-	-	10,3	12	0,0287				-	-	10,8	12,5	0,0338				-	5	11,4	13,1	0,0390			-	20	12,1	13,8	0,0451		-	30	12,5	14,2	0,0492		-	37	12,9	14,6		0,0523		-	57		13,8		15,5	0,0605		-			80		14,8			16,5		0,0697			-		105			15,9	18,9				0,0800	-		130	17				20	0,0902	10	155	17,4			20,4	0,0882	15	160	17,6	20,6	0,0900		35	180	18,4	21,4	0,0972	50	195	19,1	22,1	0,1026	60	205	19,5	22,5	0,1062	70	230	20,6	23,6	0,1152	80	280	22,8	25,8	0,1332	90	235	20,8	23,8	0,1170	110	255	21,7	24,7	0,1242	135	280	22,8	25,8	0,1332	225 x	180	235	27,1	30,1	0,1692	BFL	280		-	130	17,8	20,8	0,1012		BFL		-	-	9,8	11,5	0,0246				-	-	10,3	12	0,0287				-	-	10,8	12,5	0,0338				-	5	11,4	13,1	0,0390			-	20	12,1	13,8	0,0451		-	30	12,5	14,2	0,0492	-	37	12,9		14,6	0,0523	-	57		13,8		15,5	0,0605		-		80	14,8		16,5			0,0697		-			105		15,9				18,9	0,0800					-	130		17	20					0,0902	10	155	17,4			20,4	0,0882	15	160	17,6	20,6	0,0900		35	180	18,4	21,4	0,0972	50	195	19,1	22,1	0,1026	60	205	19,5	22,5	0,1062	70	230	20,6	23,6	0,1152	80	280	22,8	25,8	0,1332	90	235	20,8	23,8	0,1170	110	255	21,7	24,7	0,1242	135	280	22,8	25,8	0,1332	225 x	180	235	27,1	30,1	0,1692	BFL	280		-	155	18,9	21,9	0,1127		BFL		-	-	9,8	11,5	0,0246				-	-	10,3	12	0,0287				-	-	10,8	12,5	0,0338				-	5	11,4	13,1	0,0390			-	20	12,1	13,8	0,0451		-	30	12,5	14,2	0,0492	-	37	12,9	14,6	0,0523	-		57	13,8	15,5	0,0605		-		80	14,8		16,5		0,0697	-		105			15,9		18,9				0,0800		-				130		17			20	0,0902					10	155		17,4			20,4	0,0882	15	160	17,6	20,6	0,0900		35	180	18,4	21,4	0,0972	50	195	19,1	22,1	0,1026	60	205	19,5	22,5	0,1062	70	230	20,6	23,6	0,1152	80	280	22,8	25,8	0,1332	90	235	20,8	23,8	0,1170	110	255	21,7	24,7	0,1242	135	280	22																																																																																																																																																																																																																																																																																																																																																																																																																																																																																																																																																																																																																																																																																																																																																																																																																																																																																																																																																																																																																																																																	
	-	37	12,9	14,6		0,0523		-	57		13,8		15,5	0,0605		-			80		14,8			16,5		0,0697			-		105			15,9	18,9				0,0800	-		130	17				20	0,0902	10	155	17,4			20,4	0,0882	15	160	17,6	20,6	0,0900		35	180	18,4	21,4	0,0972	50	195	19,1	22,1	0,1026	60	205	19,5	22,5	0,1062	70	230	20,6	23,6	0,1152	80	280	22,8	25,8	0,1332	90	235	20,8	23,8	0,1170	110	255	21,7	24,7	0,1242	135	280	22,8	25,8	0,1332	225 x	180	235	27,1	30,1	0,1692	BFL	280		-	105	16,6	19,6	0,0897		BFL		-	-	9,8	11,5	0,0246				-	-	10,3	12	0,0287				-	-	10,8	12,5	0,0338				-	5	11,4	13,1	0,0390				-	20	12,1	13,8	0,0451			-	30	12,5	14,2	0,0492		-	37	12,9	14,6	0,0523		-	57	13,8	15,5		0,0605		-	80		14,8		16,5	0,0697		-			105		15,9			18,9		0,0800			-		130			17	20				0,0902	10		155	17,4			20,4	0,0882	15	160	17,6	20,6	0,0900		35	180	18,4	21,4	0,0972	50	195	19,1	22,1	0,1026	60	205	19,5	22,5	0,1062	70	230	20,6	23,6	0,1152	80	280	22,8	25,8	0,1332	90	235	20,8	23,8	0,1170	110	255	21,7	24,7	0,1242	135	280	22,8	25,8	0,1332	225 x	180	235	27,1	30,1	0,1692	BFL	280		-	130	17,8	20,8	0,1012		BFL		-	-	9,8	11,5	0,0246				-	-	10,3	12	0,0287				-	-	10,8	12,5	0,0338				-	5	11,4	13,1	0,0390				-	20	12,1	13,8	0,0451			-	30	12,5	14,2	0,0492		-	37	12,9	14,6	0,0523	-	57	13,8		15,5	0,0605	-	80		14,8		16,5	0,0697		-		105	15,9		18,9			0,0800		-			130		17				20	0,0902					10	155		17,4	20,4			0,0882		15	160	17,6	20,6	0,0900		35	180	18,4	21,4	0,0972	50	195	19,1	22,1	0,1026	60	205	19,5	22,5	0,1062	70	230	20,6	23,6	0,1152	80	280	22,8	25,8	0,1332	90	235	20,8	23,8	0,1170	110	255	21,7	24,7	0,1242	135	280	22,8	25,8	0,1332	225 x	180	235	27,1	30,1	0,1692	BFL	280		-	155	18,9	21,9	0,1127		BFL		-	-	9,8	11,5	0,0246				-	-	10,3	12	0,0287				-	-	10,8	12,5	0,0338				-	5	11,4	13,1	0,0390				-	20	12,1	13,8	0,0451			-	30	12,5	14,2	0,0492		-	37	12,9	14,6	0,0523	-	57	13,8	15,5	0,0605	-		80	14,8	16,5	0,0697		-		105	15,9		18,9		0,0800	-		130			17		20				0,0902		10				155		17,4			20,4	0,0882			15		160	17,6		20,6	0,0900		35	180	18,4	21,4	0,0972	50	195	19,1	22,1	0,1026	60	205	19,5	22,5	0,1062	70	230	20,6	23,6	0,1152	80	280	22,8	25,8	0,1332	90	235	20,8	23,8	0,1170	110	255	21,7	24,7	0,1242	135	280	22																																																																																																																																																																																																																																																																																																																																																																																																																																																																																																																																																																																																																																																																																																																																																																																																																																																																																																																																																																																																																																																																									
	-	57	13,8	15,5		0,0605		-	80		14,8		16,5	0,0697		-			105		15,9			18,9		0,0800			-		130			17	20				0,0902	10		155	17,4			20,4	0,0882	15	160	17,6	20,6	0,0900		35	180	18,4	21,4	0,0972	50	195	19,1	22,1	0,1026	60	205	19,5	22,5	0,1062	70	230	20,6	23,6	0,1152	80	280	22,8	25,8	0,1332	90	235	20,8	23,8	0,1170	110	255	21,7	24,7	0,1242	135	280	22,8	25,8	0,1332	225 x	180	235	27,1	30,1	0,1692	BFL	280		-	105	16,6	19,6	0,0897		BFL		-	-	9,8	11,5	0,0246				-	-	10,3	12	0,0287				-	-	10,8	12,5	0,0338				-	5	11,4	13,1	0,0390				-	20	12,1	13,8	0,0451				-	30	12,5	14,2	0,0492			-	37	12,9	14,6	0,0523		-	57	13,8	15,5	0,0605		-	80	14,8	16,5		0,0697		-	105		15,9		18,9	0,0800		-			130		17			20		0,0902			10		155			17,4	20,4			0,0882	15	160		17,6	20,6	0,0900		35	180	18,4	21,4	0,0972	50	195	19,1	22,1	0,1026	60	205	19,5	22,5	0,1062	70	230	20,6	23,6	0,1152	80	280	22,8	25,8	0,1332	90	235	20,8	23,8	0,1170	110	255	21,7	24,7	0,1242	135	280	22,8	25,8	0,1332	225 x	180	235	27,1	30,1	0,1692	BFL	280		-	130	17,8	20,8	0,1012		BFL		-	-	9,8	11,5	0,0246				-	-	10,3	12	0,0287				-	-	10,8	12,5	0,0338				-	5	11,4	13,1	0,0390				-	20	12,1	13,8	0,0451				-	30	12,5	14,2	0,0492			-	37	12,9	14,6	0,0523		-	57	13,8	15,5	0,0605	-	80	14,8		16,5	0,0697	-	105		15,9		18,9	0,0800		-		130	17		20			0,0902		10			155		17,4				20,4	0,0882				15	160	17,6		20,6	0,0900	35		180		18,4	21,4	0,0972	50	195	19,1	22,1	0,1026	60	205	19,5	22,5	0,1062	70	230	20,6	23,6	0,1152	80	280	22,8	25,8	0,1332	90	235	20,8	23,8	0,1170	110	255	21,7	24,7	0,1242	135	280	22,8	25,8	0,1332	225 x	180	235	27,1	30,1	0,1692	BFL	280		-	155	18,9	21,9	0,1127		BFL		-	-	9,8	11,5	0,0246				-	-	10,3	12	0,0287				-	-	10,8	12,5	0,0338				-	5	11,4	13,1	0,0390				-	20	12,1	13,8	0,0451				-	30	12,5	14,2	0,0492			-	37	12,9	14,6	0,0523		-	57	13,8	15,5	0,0605	-	80	14,8	16,5	0,0697	-		105	15,9	18,9	0,0800		-		130	17		20		0,0902	10		155			17,4		20,4				0,0882		15				160	17,6	20,6			0,0900	35	180		18,4		21,4	0,0972		50	195	19,1	22,1	0,1026	60	205	19,5	22,5	0,1062	70	230	20,6	23,6	0,1152	80	280	22,8	25,8	0,1332	90	235	20,8	23,8	0,1170	110	255	21,7	24,7	0,1242	135	280	22																																																																																																																																																																																																																																																																																																																																																																																																																																																																																																																																																																																																																																																																																																																																																																																																																																																																																																																																																																																																																																																																																	
	-	80	14,8	16,5		0,0697		-	105		15,9		18,9	0,0800		-			130		17			20		0,0902			10		155			17,4	20,4			0,0882	15	160		17,6	20,6	0,0900		35	180	18,4	21,4	0,0972	50	195	19,1	22,1	0,1026	60	205	19,5	22,5	0,1062	70	230	20,6	23,6	0,1152	80	280	22,8	25,8	0,1332	90	235	20,8	23,8	0,1170	110	255	21,7	24,7	0,1242	135	280	22,8	25,8	0,1332	225 x	180	235	27,1	30,1	0,1692	BFL	280		-	105	16,6	19,6	0,0897		BFL		-	-	9,8	11,5	0,0246				-	-	10,3	12	0,0287				-	-	10,8	12,5	0,0338				-	5	11,4	13,1	0,0390				-	20	12,1	13,8	0,0451				-	30	12,5	14,2	0,0492				-	37	12,9	14,6	0,0523			-	57	13,8	15,5	0,0605		-	80	14,8	16,5	0,0697		-	105	15,9	18,9		0,0800		-	130		17		20	0,0902		10			155		17,4			20,4		0,0882			15	160	17,6			20,6	0,0900	35		180	18,4	21,4		0,0972	50	195	19,1	22,1	0,1026	60	205	19,5	22,5	0,1062	70	230	20,6	23,6	0,1152	80	280	22,8	25,8	0,1332	90	235	20,8	23,8	0,1170	110	255	21,7	24,7	0,1242	135	280	22,8	25,8	0,1332	225 x	180	235	27,1	30,1	0,1692	BFL	280		-	130	17,8	20,8	0,1012		BFL		-	-	9,8	11,5	0,0246				-	-	10,3	12	0,0287				-	-	10,8	12,5	0,0338				-	5	11,4	13,1	0,0390				-	20	12,1	13,8	0,0451				-	30	12,5	14,2	0,0492				-	37	12,9	14,6	0,0523			-	57	13,8	15,5	0,0605		-	80	14,8	16,5	0,0697	-	105	15,9		18,9	0,0800	-	130		17		20	0,0902		10		155	17,4		20,4			0,0882		15			160		17,6	20,6			0,0900	35		180		18,4	21,4	0,0972		50	195	19,1	22,1	0,1026		60	205	19,5	22,5	0,1062	70	230	20,6	23,6	0,1152	80	280	22,8	25,8	0,1332	90	235	20,8	23,8	0,1170	110	255	21,7	24,7	0,1242	135	280	22,8	25,8	0,1332	225 x	180	235	27,1	30,1	0,1692	BFL	280		-	155	18,9	21,9	0,1127		BFL		-	-	9,8	11,5	0,0246				-	-	10,3	12	0,0287				-	-	10,8	12,5	0,0338				-	5	11,4	13,1	0,0390				-	20	12,1	13,8	0,0451				-	30	12,5	14,2	0,0492				-	37	12,9	14,6	0,0523			-	57	13,8	15,5	0,0605		-	80	14,8	16,5	0,0697	-	105	15,9	18,9	0,0800	-		130	17	20	0,0902		10		155	17,4		20,4		0,0882	15		160			17,6		20,6			0,0900	35		180			18,4	21,4	0,0972	50			195	19,1	22,1	0,1026	60		205	19,5		22,5	0,1062	70	230	20,6	23,6	0,1152	80	280	22,8	25,8	0,1332	90	235	20,8	23,8	0,1170	110	255	21,7	24,7	0,1242	135	280	22																																																																																																																																																																																																																																																																																																																																																																																																																																																																																																																																																																																																																																																																																																																																																																																																																																																																																																																																																																																																																																																																																									
	-	105	15,9	18,9		0,0800		-	130		17		20	0,0902		10			155		17,4			20,4		0,0882			15	160	17,6			20,6	0,0900	35		180	18,4	21,4		0,0972	50	195	19,1	22,1	0,1026	60	205	19,5	22,5	0,1062	70	230	20,6	23,6	0,1152	80	280	22,8	25,8	0,1332	90	235	20,8	23,8	0,1170	110	255	21,7	24,7	0,1242	135	280	22,8	25,8	0,1332	225 x	180	235	27,1	30,1	0,1692	BFL	280		-	105	16,6	19,6	0,0897		BFL		-	-	9,8	11,5	0,0246				-	-	10,3	12	0,0287				-	-	10,8	12,5	0,0338				-	5	11,4	13,1	0,0390				-	20	12,1	13,8	0,0451				-	30	12,5	14,2	0,0492				-	37	12,9	14,6	0,0523				-	57	13,8	15,5	0,0605			-	80	14,8	16,5	0,0697		-	105	15,9	18,9	0,0800		-	130	17	20		0,0902		10	155		17,4		20,4	0,0882		15			160		17,6			20,6	0,0900	35			180	18,4	21,4	0,0972		50	195	19,1		22,1	0,1026	60	205	19,5	22,5	0,1062	70	230	20,6	23,6	0,1152	80	280	22,8	25,8	0,1332	90	235	20,8	23,8	0,1170	110	255	21,7	24,7	0,1242	135	280	22,8	25,8	0,1332	225 x	180	235	27,1	30,1	0,1692	BFL	280		-	130	17,8	20,8	0,1012		BFL		-	-	9,8	11,5	0,0246				-	-	10,3	12	0,0287				-	-	10,8	12,5	0,0338				-	5	11,4	13,1	0,0390				-	20	12,1	13,8	0,0451				-	30	12,5	14,2	0,0492				-	37	12,9	14,6	0,0523				-	57	13,8	15,5	0,0605			-	80	14,8	16,5	0,0697		-	105	15,9	18,9	0,0800	-	130	17		20	0,0902	10	155		17,4		20,4	0,0882		15		160	17,6		20,6			0,0900		35			180	18,4	21,4	0,0972			50	195	19,1	22,1		0,1026	60	205		19,5	22,5	0,1062	70	230	20,6	23,6	0,1152	80	280	22,8	25,8	0,1332	90	235	20,8	23,8	0,1170	110	255	21,7	24,7	0,1242	135	280	22,8	25,8	0,1332	225 x	180	235	27,1	30,1	0,1692	BFL	280		-	155	18,9	21,9	0,1127		BFL		-	-	9,8	11,5	0,0246				-	-	10,3	12	0,0287				-	-	10,8	12,5	0,0338				-	5	11,4	13,1	0,0390				-	20	12,1	13,8	0,0451				-	30	12,5	14,2	0,0492				-	37	12,9	14,6	0,0523				-	57	13,8	15,5	0,0605			-	80	14,8	16,5	0,0697		-	105	15,9	18,9	0,0800	-	130	17	20	0,0902	10		155	17,4	20,4	0,0882		15		160	17,6		20,6		0,0900	35		180			18,4		21,4			0,0972	50	195	19,1			22,1	0,1026	60	205	19,5		22,5	0,1062	70	230	20,6		23,6	0,1152	80	280	22,8	25,8	0,1332	90	235	20,8	23,8	0,1170	110	255	21,7	24,7	0,1242	135	280	22																																																																																																																																																																																																																																																																																																																																																																																																																																																																																																																																																																																																																																																																																																																																																																																																																																																																																																																																																																																																																																																																																																	
	-	130	17	20		0,0902		10	155		17,4		20,4	0,0882		15			160		17,6			20,6	0,0900	35			180	18,4	21,4	0,0972		50	195	19,1		22,1	0,1026	60	205	19,5	22,5	0,1062	70	230	20,6	23,6	0,1152	80	280	22,8	25,8	0,1332	90	235	20,8	23,8	0,1170	110	255	21,7	24,7	0,1242	135	280	22,8	25,8	0,1332	225 x	180	235	27,1	30,1	0,1692	BFL	280		-	105	16,6	19,6	0,0897		BFL		-	-	9,8	11,5	0,0246				-	-	10,3	12	0,0287				-	-	10,8	12,5	0,0338				-	5	11,4	13,1	0,0390				-	20	12,1	13,8	0,0451				-	30	12,5	14,2	0,0492				-	37	12,9	14,6	0,0523				-	57	13,8	15,5	0,0605				-	80	14,8	16,5	0,0697			-	105	15,9	18,9	0,0800		-	130	17	20	0,0902		10	155	17,4	20,4		0,0882		15	160		17,6		20,6	0,0900		35			180	18,4	21,4			0,0972	50	195	19,1		22,1	0,1026	60	205		19,5	22,5	0,1062	70	230	20,6	23,6	0,1152	80	280	22,8	25,8	0,1332	90	235	20,8	23,8	0,1170	110	255	21,7	24,7	0,1242	135	280	22,8	25,8	0,1332	225 x	180	235	27,1	30,1	0,1692	BFL	280		-	130	17,8	20,8	0,1012		BFL		-	-	9,8	11,5	0,0246				-	-	10,3	12	0,0287				-	-	10,8	12,5	0,0338				-	5	11,4	13,1	0,0390				-	20	12,1	13,8	0,0451				-	30	12,5	14,2	0,0492				-	37	12,9	14,6	0,0523				-	57	13,8	15,5	0,0605				-	80	14,8	16,5	0,0697			-	105	15,9	18,9	0,0800		-	130	17	20	0,0902	10	155	17,4		20,4	0,0882	15	160		17,6		20,6	0,0900		35		180	18,4		21,4			0,0972	50	195			19,1	22,1	0,1026	60	205		19,5	22,5	0,1062	70		230	20,6	23,6	0,1152	80	280	22,8	25,8	0,1332	90	235	20,8	23,8	0,1170	110	255	21,7	24,7	0,1242	135	280	22,8	25,8	0,1332	225 x	180	235	27,1	30,1	0,1692	BFL	280		-	155	18,9	21,9	0,1127		BFL		-	-	9,8	11,5	0,0246				-	-	10,3	12	0,0287				-	-	10,8	12,5	0,0338				-	5	11,4	13,1	0,0390				-	20	12,1	13,8	0,0451				-	30	12,5	14,2	0,0492				-	37	12,9	14,6	0,0523				-	57	13,8	15,5	0,0605				-	80	14,8	16,5	0,0697			-	105	15,9	18,9	0,0800		-	130	17	20	0,0902	10	155	17,4	20,4	0,0882	15		160	17,6	20,6	0,0900		35		180	18,4		21,4		0,0972	50		195			19,1	22,1	0,1026			60	205	19,5	22,5	0,1062		70	230	20,6	23,6	0,1152		80	280	22,8	25,8	0,1332	90	235	20,8	23,8	0,1170	110	255	21,7	24,7	0,1242	135	280	22																																																																																																																																																																																																																																																																																																																																																																																																																																																																																																																																																																																																																																																																																																																																																																																																																																																																																																																																																																																																																																																																																																									
	10	155	17,4	20,4		0,0882		15	160		17,6		20,6	0,0900		35			180	18,4	21,4			0,0972	50	195	19,1		22,1	0,1026	60	205		19,5	22,5	0,1062	70	230	20,6	23,6	0,1152	80	280	22,8	25,8	0,1332	90	235	20,8	23,8	0,1170	110	255	21,7	24,7	0,1242	135	280	22,8	25,8	0,1332	225 x	180	235	27,1	30,1	0,1692	BFL	280		-	105	16,6	19,6	0,0897		BFL		-	-	9,8	11,5	0,0246				-	-	10,3	12	0,0287				-	-	10,8	12,5	0,0338				-	5	11,4	13,1	0,0390				-	20	12,1	13,8	0,0451				-	30	12,5	14,2	0,0492				-	37	12,9	14,6	0,0523				-	57	13,8	15,5	0,0605				-	80	14,8	16,5	0,0697				-	105	15,9	18,9	0,0800			-	130	17	20	0,0902		10	155	17,4	20,4	0,0882		15	160	17,6	20,6		0,0900		35	180		18,4		21,4	0,0972	50	195			19,1	22,1	0,1026	60		205	19,5	22,5	0,1062		70	230	20,6	23,6	0,1152	80	280	22,8	25,8	0,1332	90	235	20,8	23,8	0,1170	110	255	21,7	24,7	0,1242	135	280	22,8	25,8	0,1332	225 x	180	235	27,1	30,1	0,1692	BFL	280		-	130	17,8	20,8	0,1012		BFL		-	-	9,8	11,5	0,0246				-	-	10,3	12	0,0287				-	-	10,8	12,5	0,0338				-	5	11,4	13,1	0,0390				-	20	12,1	13,8	0,0451				-	30	12,5	14,2	0,0492				-	37	12,9	14,6	0,0523				-	57	13,8	15,5	0,0605				-	80	14,8	16,5	0,0697				-	105	15,9	18,9	0,0800			-	130	17	20	0,0902		10	155	17,4	20,4	0,0882	15	160	17,6		20,6	0,0900	35	180		18,4		21,4	0,0972		50		195	19,1	22,1	0,1026			60	205	19,5	22,5		0,1062	70	230	20,6	23,6		0,1152	80	280	22,8	25,8	0,1332	90	235	20,8	23,8	0,1170	110	255	21,7	24,7	0,1242	135	280	22,8	25,8	0,1332	225 x	180	235	27,1	30,1	0,1692	BFL	280		-	155	18,9	21,9	0,1127		BFL		-	-	9,8	11,5	0,0246				-	-	10,3	12	0,0287				-	-	10,8	12,5	0,0338				-	5	11,4	13,1	0,0390				-	20	12,1	13,8	0,0451				-	30	12,5	14,2	0,0492				-	37	12,9	14,6	0,0523				-	57	13,8	15,5	0,0605				-	80	14,8	16,5	0,0697				-	105	15,9	18,9	0,0800			-	130	17	20	0,0902		10	155	17,4	20,4	0,0882	15	160	17,6	20,6	0,0900	35		180	18,4	21,4	0,0972		50		195	19,1		22,1		0,1026	60	205	19,5			22,5	0,1062	70	230		20,6	23,6	0,1152	80	280		22,8	25,8	0,1332	90	235	20,8	23,8	0,1170	110	255	21,7	24,7	0,1242	135	280	22																																																																																																																																																																																																																																																																																																																																																																																																																																																																																																																																																																																																																																																																																																																																																																																																																																																																																																																																																																																																																																																																																																																	
	15	160	17,6	20,6		0,0900		35	180		18,4		21,4	0,0972	50	195			19,1	22,1	0,1026	60		205	19,5	22,5	0,1062		70	230	20,6	23,6	0,1152	80	280	22,8	25,8	0,1332	90	235	20,8	23,8	0,1170	110	255	21,7	24,7	0,1242	135	280	22,8	25,8	0,1332	225 x	180	235	27,1	30,1	0,1692	BFL	280		-	105	16,6	19,6	0,0897		BFL		-	-	9,8	11,5	0,0246				-	-	10,3	12	0,0287				-	-	10,8	12,5	0,0338				-	5	11,4	13,1	0,0390				-	20	12,1	13,8	0,0451				-	30	12,5	14,2	0,0492				-	37	12,9	14,6	0,0523				-	57	13,8	15,5	0,0605				-	80	14,8	16,5	0,0697				-	105	15,9	18,9	0,0800				-	130	17	20	0,0902			10	155	17,4	20,4	0,0882		15	160	17,6	20,6	0,0900		35	180	18,4	21,4		0,0972		50	195	19,1	22,1		0,1026	60	205	19,5	22,5		0,1062	70	230	20,6		23,6	0,1152	80	280	22,8	25,8	0,1332	90	235	20,8	23,8	0,1170	110	255	21,7	24,7	0,1242	135	280	22,8	25,8	0,1332	225 x	180	235	27,1	30,1	0,1692	BFL	280		-	130	17,8	20,8	0,1012		BFL		-	-	9,8	11,5	0,0246				-	-	10,3	12	0,0287				-	-	10,8	12,5	0,0338				-	5	11,4	13,1	0,0390				-	20	12,1	13,8	0,0451				-	30	12,5	14,2	0,0492				-	37	12,9	14,6	0,0523				-	57	13,8	15,5	0,0605				-	80	14,8	16,5	0,0697				-	105	15,9	18,9	0,0800				-	130	17	20	0,0902			10	155	17,4	20,4	0,0882		15	160	17,6	20,6	0,0900	35	180	18,4		21,4	0,0972	50	195		19,1		22,1	0,1026	60	205		19,5	22,5	0,1062	70	230		20,6	23,6	0,1152	80		280	22,8	25,8	0,1332	90	235	20,8	23,8	0,1170	110	255	21,7	24,7	0,1242	135	280	22,8	25,8	0,1332	225 x	180	235	27,1	30,1	0,1692	BFL	280		-	155	18,9	21,9	0,1127		BFL		-	-	9,8	11,5	0,0246				-	-	10,3	12	0,0287				-	-	10,8	12,5	0,0338				-	5	11,4	13,1	0,0390				-	20	12,1	13,8	0,0451				-	30	12,5	14,2	0,0492				-	37	12,9	14,6	0,0523				-	57	13,8	15,5	0,0605				-	80	14,8	16,5	0,0697				-	105	15,9	18,9	0,0800				-	130	17	20	0,0902			10	155	17,4	20,4	0,0882		15	160	17,6	20,6	0,0900	35	180	18,4	21,4	0,0972	50		195	19,1	22,1	0,1026		60		205	19,5	22,5	0,1062		70	230	20,6	23,6	0,1152		80	280	22,8	25,8		0,1332	90	235	20,8	23,8	0,1170	110	255	21,7	24,7	0,1242	135	280	22																																																																																																																																																																																																																																																																																																																																																																																																																																																																																																																																																																																																																																																																																																																																																																																																																																																																																																																																																																																																																																																																																																																									
	35	180	18,4	21,4		0,0972		50	195	19,1	22,1		0,1026	60	205	19,5	22,5		0,1062	70	230	20,6		23,6	0,1152	80	280	22,8	25,8	0,1332	90	235	20,8	23,8	0,1170	110	255	21,7	24,7	0,1242	135	280	22,8	25,8	0,1332	225 x	180	235	27,1	30,1	0,1692	BFL	280		-	105	16,6	19,6	0,0897		BFL		-	-	9,8	11,5	0,0246				-	-	10,3	12	0,0287				-	-	10,8	12,5	0,0338				-	5	11,4	13,1	0,0390				-	20	12,1	13,8	0,0451				-	30	12,5	14,2	0,0492				-	37	12,9	14,6	0,0523				-	57	13,8	15,5	0,0605				-	80	14,8	16,5	0,0697				-	105	15,9	18,9	0,0800				-	130	17	20	0,0902				10	155	17,4	20,4	0,0882			15	160	17,6	20,6	0,0900		35	180	18,4	21,4	0,0972		50	195	19,1	22,1	0,1026	60		205	19,5	22,5	0,1062	70	230	20,6	23,6	0,1152	80		280	22,8	25,8	0,1332	90	235	20,8	23,8	0,1170	110	255	21,7	24,7	0,1242	135	280	22,8	25,8	0,1332	225 x	180	235	27,1	30,1	0,1692	BFL	280		-	130	17,8	20,8	0,1012		BFL		-	-	9,8	11,5	0,0246				-	-	10,3	12	0,0287				-	-	10,8	12,5	0,0338				-	5	11,4	13,1	0,0390				-	20	12,1	13,8	0,0451				-	30	12,5	14,2	0,0492				-	37	12,9	14,6	0,0523				-	57	13,8	15,5	0,0605				-	80	14,8	16,5	0,0697				-	105	15,9	18,9	0,0800				-	130	17	20	0,0902				10	155	17,4	20,4	0,0882			15	160	17,6	20,6	0,0900		35	180	18,4	21,4	0,0972	50	195	19,1		22,1	0,1026	60	205	19,5	22,5		0,1062	70	230	20,6	23,6	0,1152	80	280	22,8	25,8		0,1332	90	235	20,8	23,8	0,1170	110	255	21,7	24,7	0,1242	135	280	22,8	25,8	0,1332	225 x	180	235	27,1	30,1	0,1692	BFL	280		-	155	18,9	21,9	0,1127		BFL		-	-	9,8	11,5	0,0246				-	-	10,3	12	0,0287				-	-	10,8	12,5	0,0338				-	5	11,4	13,1	0,0390				-	20	12,1	13,8	0,0451				-	30	12,5	14,2	0,0492				-	37	12,9	14,6	0,0523				-	57	13,8	15,5	0,0605				-	80	14,8	16,5	0,0697				-	105	15,9	18,9	0,0800				-	130	17	20	0,0902				10	155	17,4	20,4	0,0882			15	160	17,6	20,6	0,0900		35	180	18,4	21,4	0,0972	50	195	19,1	22,1	0,1026	60		205	19,5	22,5	0,1062	70	230		20,6	23,6	0,1152	80	280	22,8	25,8	0,1332	90	235		20,8	23,8	0,1170	110	255	21,7	24,7	0,1242	135	280	22																																																																																																																																																																																																																																																																																																																																																																																																																																																																																																																																																																																																																																																																																																																																																																																																																																																																																																																																																																																																																																																																																																																																	
	50	195	19,1	22,1	0,1026	60		205	19,5	22,5	0,1062	70	230	20,6	23,6	0,1152	80		280	22,8	25,8	0,1332	90	235	20,8	23,8	0,1170	110	255	21,7	24,7	0,1242	135	280	22,8	25,8	0,1332	225 x	180	235	27,1	30,1	0,1692	BFL	280		-	105	16,6	19,6	0,0897		BFL		-	-	9,8	11,5	0,0246				-	-	10,3	12	0,0287				-	-	10,8	12,5	0,0338				-	5	11,4	13,1	0,0390				-	20	12,1	13,8	0,0451				-	30	12,5	14,2	0,0492				-	37	12,9	14,6	0,0523				-	57	13,8	15,5	0,0605				-	80	14,8	16,5	0,0697				-	105	15,9	18,9	0,0800				-	130	17	20	0,0902				10	155	17,4	20,4	0,0882				15	160	17,6	20,6	0,0900			35	180	18,4	21,4	0,0972		50	195	19,1	22,1	0,1026	60	205	19,5	22,5	0,1062	70	230	20,6	23,6	0,1152	80	280	22,8	25,8	0,1332	90	235	20,8	23,8	0,1170	110	255	21,7	24,7	0,1242	135	280	22,8	25,8	0,1332	225 x	180	235	27,1	30,1	0,1692	BFL	280		-	130	17,8	20,8	0,1012		BFL		-	-	9,8	11,5	0,0246				-	-	10,3	12	0,0287				-	-	10,8	12,5	0,0338				-	5	11,4	13,1	0,0390				-	20	12,1	13,8	0,0451				-	30	12,5	14,2	0,0492				-	37	12,9	14,6	0,0523				-	57	13,8	15,5	0,0605				-	80	14,8	16,5	0,0697				-	105	15,9	18,9	0,0800				-	130	17	20	0,0902				10	155	17,4	20,4	0,0882				15	160	17,6	20,6	0,0900			35	180	18,4	21,4	0,0972		50	195	19,1	22,1	0,1026	60	205	19,5	22,5	0,1062	70	230	20,6	23,6	0,1152	80	280	22,8	25,8	0,1332	90	235	20,8	23,8	0,1170	110	255	21,7	24,7	0,1242	135	280	22,8	25,8	0,1332	225 x	180	235	27,1	30,1	0,1692	BFL	280		-	155	18,9	21,9	0,1127		BFL		-	-	9,8	11,5	0,0246				-	-	10,3	12	0,0287				-	-	10,8	12,5	0,0338				-	5	11,4	13,1	0,0390				-	20	12,1	13,8	0,0451				-	30	12,5	14,2	0,0492				-	37	12,9	14,6	0,0523				-	57	13,8	15,5	0,0605				-	80	14,8	16,5	0,0697				-	105	15,9	18,9	0,0800				-	130	17	20	0,0902				10	155	17,4	20,4	0,0882				15	160	17,6	20,6	0,0900			35	180	18,4	21,4	0,0972		50	195	19,1	22,1	0,1026	60	205	19,5	22,5	0,1062	70	230	20,6	23,6	0,1152	80	280	22,8	25,8	0,1332	90	235	20,8	23,8	0,1170	110	255	21,7	24,7	0,1242	135	280	22																																																																																																																																																																																																																																																																																																																																																																																																																																																																																																																																																																																																																																																																																																																																																																																																																																																																																																																																																																																																																																																																																																																																									
60	205	19,5	22,5	0,1062	70	230	20,6	23,6	0,1152	80	280	22,8	25,8	0,1332	90	235	20,8	23,8	0,1170	110	255	21,7	24,7	0,1242	135	280	22,8	25,8	0,1332	225 x	180	235	27,1	30,1	0,1692	BFL	280		-	105	16,6	19,6	0,0897		BFL		-	-	9,8	11,5	0,0246				-	-	10,3	12	0,0287				-	-	10,8	12,5	0,0338				-	5	11,4	13,1	0,0390				-	20	12,1	13,8	0,0451				-	30	12,5	14,2	0,0492				-	37	12,9	14,6	0,0523				-	57	13,8	15,5	0,0605				-	80	14,8	16,5	0,0697				-	105	15,9	18,9	0,0800				-	130	17	20	0,0902				10	155	17,4	20,4	0,0882				15	160	17,6	20,6	0,0900				35	180	18,4	21,4	0,0972			50	195	19,1	22,1	0,1026		60	205	19,5	22,5	0,1062	70	230	20,6	23,6	0,1152	80	280	22,8	25,8	0,1332	90	235	20,8	23,8	0,1170	110	255	21,7	24,7	0,1242	135	280	22,8	25,8	0,1332	225 x	180	235	27,1	30,1		0,1692	BFL	280	-	130		17,8		20,8	0,1012	BFL	-	-				9,8	11,5	0,0246	-	-				10,3	12	0,0287	-	-				10,8	12,5	0,0338	-	5				11,4	13,1	0,0390	-	20				12,1	13,8	0,0451	-	30				12,5	14,2	0,0492	-	37				12,9	14,6	0,0523	-	57				13,8	15,5	0,0605	-	80				14,8	16,5	0,0697	-	105				15,9	18,9	0,0800	-	130				17	20	0,0902	10	155				17,4	20,4	0,0882	15	160				17,6	20,6	0,0900	35	180			18,4	21,4	0,0972	50	195		19,1	22,1	0,1026	60	205	19,5	22,5	0,1062	70	230	20,6	23,6	0,1152	80	280	22,8	25,8	0,1332	90	235	20,8	23,8	0,1170	110	255	21,7	24,7	0,1242	135	280	22,8	25,8	0,1332	225 x	180		235	27,1	30,1	0,1692	BFL		280		-	155	18,9	21,9	0,1127				BFL	-	-	9,8	11,5				0,0246	-	-	10,3	12				0,0287	-	-	10,8	12,5				0,0338	-	5	11,4	13,1				0,0390	-	20	12,1	13,8				0,0451	-	30	12,5	14,2				0,0492	-	37	12,9	14,6				0,0523	-	57	13,8	15,5				0,0605	-	80	14,8	16,5				0,0697	-	105	15,9	18,9				0,0800	-	130	17	20				0,0902	10	155	17,4	20,4				0,0882	15	160	17,6	20,6			0,0900	35	180	18,4	21,4		0,0972	50	195	19,1	22,1	0,1026	60	205	19,5	22,5	0,1062	70	230	20,6	23,6	0,1152	80	280	22,8	25,8	0,1332	90	235	20,8	23,8	0,1170	110	255	21,7	24,7	0,1242	135	280	22																																																																																																																																																																																																																																																																																																																																																																																																																																																																																																																																																																																																																																																																																																																																																																																																																																																																																																																																																																																																																																																																																																																																								
70	230	20,6	23,6	0,1152	80	280	22,8	25,8	0,1332	90	235	20,8	23,8	0,1170	110	255	21,7	24,7	0,1242	135	280	22,8	25,8	0,1332	225 x	180	235	27,1	30,1		0,1692	BFL	280	-	105		16,6		19,6	0,0897	BFL	-	-				9,8	11,5	0,0246	-	-				10,3	12	0,0287	-	-				10,8	12,5	0,0338	-	5				11,4	13,1	0,0390	-	20				12,1	13,8	0,0451	-	30				12,5	14,2	0,0492	-	37				12,9	14,6	0,0523	-	57				13,8	15,5	0,0605	-	80				14,8	16,5	0,0697	-	105				15,9	18,9	0,0800	-	130				17	20	0,0902	10	155				17,4	20,4	0,0882	15	160				17,6	20,6	0,0900	35	180			18,4	21,4	0,0972	50	195	19,1	22,1		0,1026	60	205	19,5	22,5	0,1062	70	230	20,6	23,6	0,1152	80	280	22,8	25,8	0,1332	90	235	20,8	23,8	0,1170	110	255	21,7	24,7	0,1242	135	280	22,8	25,8	0,1332	225 x	180	235	27,1	30,1		0,1692	BFL	280	-		130		17,8	20,8	0,1012		BFL		-	-		9,8	11,5				0,0246	-	-	10,3	12				0,0287	-	-	10,8	12,5				0,0338	-	5	11,4	13,1				0,0390	-	20	12,1	13,8				0,0451	-	30	12,5	14,2				0,0492	-	37	12,9	14,6				0,0523	-	57	13,8	15,5				0,0605	-	80	14,8	16,5				0,0697	-	105	15,9	18,9				0,0800	-	130	17	20				0,0902	10	155	17,4	20,4				0,0882	15	160	17,6	20,6			0,0900	35	180	18,4	21,4	0,0972	50		195	19,1	22,1	0,1026	60	205	19,5	22,5	0,1062	70	230	20,6	23,6	0,1152	80	280	22,8	25,8	0,1332	90	235	20,8	23,8	0,1170	110	255	21,7	24,7	0,1242	135	280	22,8	25,8	0,1332	225 x	180	235	27,1	30,1		0,1692		BFL	280	-	155			18,9		21,9	0,1127	BFL	-	-					9,8	11,5	0,0246	-				-	10,3	12	0,0287	-				-	10,8	12,5	0,0338	-				5	11,4	13,1	0,0390	-				20	12,1	13,8	0,0451	-				30	12,5	14,2	0,0492	-				37	12,9	14,6	0,0523	-				57	13,8	15,5	0,0605	-				80	14,8	16,5	0,0697	-				105	15,9	18,9	0,0800	-				130	17	20	0,0902	10				155	17,4	20,4	0,0882	15			160	17,6	20,6	0,0900	35	180	18,4		21,4	0,0972	50	195	19,1	22,1	0,1026	60	205	19,5	22,5	0,1062	70	230	20,6	23,6	0,1152	80	280	22,8	25,8	0,1332	90	235	20,8	23,8	0,1170	110	255	21,7	24,7	0,1242	135	280	22																																																																																																																																																																																																																																																																																																																																																																																																																																																																																																																																																																																																																																																																																																																																																																																																																																																																																																																																																																																																																																																																																																																																													
80	280	22,8	25,8	0,1332	90	235	20,8	23,8	0,1170	110	255	21,7	24,7	0,1242	135	280	22,8	25,8	0,1332	225 x	180	235	27,1	30,1		0,1692	BFL	280	-		105		16,6	19,6	0,0897		BFL		-	-		9,8	11,5				0,0246	-	-	10,3	12				0,0287	-	-	10,8	12,5				0,0338	-	5	11,4	13,1				0,0390	-	20	12,1	13,8				0,0451	-	30	12,5	14,2				0,0492	-	37	12,9	14,6				0,0523	-	57	13,8	15,5				0,0605	-	80	14,8	16,5				0,0697	-	105	15,9	18,9				0,0800	-	130	17	20				0,0902	10	155	17,4	20,4				0,0882	15	160	17,6	20,6			0,0900	35	180	18,4	21,4	0,0972	50		195	19,1	22,1	0,1026	60	205	19,5	22,5	0,1062	70	230	20,6	23,6	0,1152	80	280	22,8	25,8	0,1332	90	235	20,8	23,8	0,1170	110	255	21,7	24,7	0,1242	135	280	22,8	25,8	0,1332	225 x	180	235	27,1	30,1		0,1692	BFL	280	-		130		17,8	20,8		0,1012		BFL	-	-				9,8	11,5		0,0246	-				-	10,3	12	0,0287	-				-	10,8	12,5	0,0338	-				5	11,4	13,1	0,0390	-				20	12,1	13,8	0,0451	-				30	12,5	14,2	0,0492	-				37	12,9	14,6	0,0523	-				57	13,8	15,5	0,0605	-				80	14,8	16,5	0,0697	-				105	15,9	18,9	0,0800	-				130	17	20	0,0902	10				155	17,4	20,4	0,0882	15			160	17,6	20,6	0,0900	35	180	18,4		21,4	0,0972	50	195	19,1	22,1	0,1026	60	205	19,5	22,5	0,1062	70	230	20,6	23,6	0,1152	80	280	22,8	25,8	0,1332	90	235	20,8	23,8	0,1170	110	255	21,7	24,7	0,1242	135	280	22,8	25,8	0,1332	225 x	180	235	27,1	30,1		0,1692	BFL	280	-		155			18,9	21,9	0,1127			BFL		-	-		9,8	11,5					0,0246	-	-	10,3				12	0,0287	-	-	10,8				12,5	0,0338	-	5	11,4				13,1	0,0390	-	20	12,1				13,8	0,0451	-	30	12,5				14,2	0,0492	-	37	12,9				14,6	0,0523	-	57	13,8				15,5	0,0605	-	80	14,8				16,5	0,0697	-	105	15,9				18,9	0,0800	-	130	17				20	0,0902	10	155	17,4			20,4	0,0882	15	160	17,6	20,6	0,0900		35	180	18,4	21,4	0,0972	50	195	19,1	22,1	0,1026	60	205	19,5	22,5	0,1062	70	230	20,6	23,6	0,1152	80	280	22,8	25,8	0,1332	90	235	20,8	23,8	0,1170	110	255	21,7	24,7	0,1242	135	280	22																																																																																																																																																																																																																																																																																																																																																																																																																																																																																																																																																																																																																																																																																																																																																																																																																																																																																																																																																																																																																																																																																																																																																		
90	235	20,8	23,8	0,1170	110	255	21,7	24,7	0,1242	135	280	22,8	25,8	0,1332	225 x	180	235	27,1	30,1		0,1692	BFL	280	-		105		16,6	19,6		0,0897		BFL	-	-				9,8	11,5		0,0246	-				-	10,3	12	0,0287	-				-	10,8	12,5	0,0338	-				5	11,4	13,1	0,0390	-				20	12,1	13,8	0,0451	-				30	12,5	14,2	0,0492	-				37	12,9	14,6	0,0523	-				57	13,8	15,5	0,0605	-				80	14,8	16,5	0,0697	-				105	15,9	18,9	0,0800	-				130	17	20	0,0902	10				155	17,4	20,4	0,0882	15			160	17,6	20,6	0,0900	35	180	18,4		21,4	0,0972	50	195	19,1	22,1	0,1026	60	205	19,5	22,5	0,1062	70	230	20,6	23,6	0,1152	80	280	22,8	25,8	0,1332	90	235	20,8	23,8	0,1170	110	255	21,7	24,7	0,1242	135	280	22,8	25,8	0,1332	225 x	180	235	27,1	30,1		0,1692	BFL	280	-		130		17,8	20,8		0,1012		BFL	-		-			9,8	11,5				0,0246	-		-	10,3				12	0,0287	-	-	10,8				12,5	0,0338	-	5	11,4				13,1	0,0390	-	20	12,1				13,8	0,0451	-	30	12,5				14,2	0,0492	-	37	12,9				14,6	0,0523	-	57	13,8				15,5	0,0605	-	80	14,8				16,5	0,0697	-	105	15,9				18,9	0,0800	-	130	17				20	0,0902	10	155	17,4			20,4	0,0882	15	160	17,6	20,6	0,0900		35	180	18,4	21,4	0,0972	50	195	19,1	22,1	0,1026	60	205	19,5	22,5	0,1062	70	230	20,6	23,6	0,1152	80	280	22,8	25,8	0,1332	90	235	20,8	23,8	0,1170	110	255	21,7	24,7	0,1242	135	280	22,8	25,8	0,1332	225 x	180	235	27,1	30,1		0,1692	BFL	280	-		155		18,9	21,9		0,1127			BFL	-	-					9,8	11,5		0,0246	-					-	10,3	12	0,0287				-	-	10,8	12,5	0,0338				-	5	11,4	13,1	0,0390				-	20	12,1	13,8	0,0451				-	30	12,5	14,2	0,0492				-	37	12,9	14,6	0,0523				-	57	13,8	15,5	0,0605				-	80	14,8	16,5	0,0697				-	105	15,9	18,9	0,0800				-	130	17	20	0,0902			10	155	17,4	20,4	0,0882	15	160		17,6	20,6	0,0900	35	180	18,4	21,4	0,0972	50	195	19,1	22,1	0,1026	60	205	19,5	22,5	0,1062	70	230	20,6	23,6	0,1152	80	280	22,8	25,8	0,1332	90	235	20,8	23,8	0,1170	110	255	21,7	24,7	0,1242	135	280	22																																																																																																																																																																																																																																																																																																																																																																																																																																																																																																																																																																																																																																																																																																																																																																																																																																																																																																																																																																																																																																																																																																																																																							
110	255	21,7	24,7	0,1242	135	280	22,8	25,8	0,1332	225 x	180	235	27,1	30,1		0,1692	BFL	280	-		105		16,6	19,6		0,0897		BFL	-		-			9,8	11,5				0,0246	-		-	10,3				12	0,0287	-	-	10,8				12,5	0,0338	-	5	11,4				13,1	0,0390	-	20	12,1				13,8	0,0451	-	30	12,5				14,2	0,0492	-	37	12,9				14,6	0,0523	-	57	13,8				15,5	0,0605	-	80	14,8				16,5	0,0697	-	105	15,9				18,9	0,0800	-	130	17				20	0,0902	10	155	17,4			20,4	0,0882	15	160	17,6	20,6	0,0900		35	180	18,4	21,4	0,0972	50	195	19,1	22,1	0,1026	60	205	19,5	22,5	0,1062	70	230	20,6	23,6	0,1152	80	280	22,8	25,8	0,1332	90	235	20,8	23,8	0,1170	110	255	21,7	24,7	0,1242	135	280	22,8	25,8	0,1332	225 x	180	235	27,1	30,1		0,1692	BFL	280	-		130		17,8	20,8		0,1012		BFL	-		-			9,8		11,5			0,0246	-				-	10,3		12	0,0287				-	-	10,8	12,5	0,0338				-	5	11,4	13,1	0,0390				-	20	12,1	13,8	0,0451				-	30	12,5	14,2	0,0492				-	37	12,9	14,6	0,0523				-	57	13,8	15,5	0,0605				-	80	14,8	16,5	0,0697				-	105	15,9	18,9	0,0800				-	130	17	20	0,0902			10	155	17,4	20,4	0,0882	15	160		17,6	20,6	0,0900	35	180	18,4	21,4	0,0972	50	195	19,1	22,1	0,1026	60	205	19,5	22,5	0,1062	70	230	20,6	23,6	0,1152	80	280	22,8	25,8	0,1332	90	235	20,8	23,8	0,1170	110	255	21,7	24,7	0,1242	135	280	22,8	25,8	0,1332	225 x	180	235	27,1	30,1		0,1692	BFL	280	-		155		18,9	21,9		0,1127		BFL	-		-				9,8	11,5					0,0246	-		-	10,3					12	0,0287	-	-				10,8	12,5	0,0338	-	5				11,4	13,1	0,0390	-	20				12,1	13,8	0,0451	-	30				12,5	14,2	0,0492	-	37				12,9	14,6	0,0523	-	57				13,8	15,5	0,0605	-	80				14,8	16,5	0,0697	-	105				15,9	18,9	0,0800	-	130			17	20	0,0902	10	155	17,4	20,4		0,0882	15	160	17,6	20,6	0,0900	35	180	18,4	21,4	0,0972	50	195	19,1	22,1	0,1026	60	205	19,5	22,5	0,1062	70	230	20,6	23,6	0,1152	80	280	22,8	25,8	0,1332	90	235	20,8	23,8	0,1170	110	255	21,7	24,7	0,1242	135	280	22																																																																																																																																																																																																																																																																																																																																																																																																																																																																																																																																																																																																																																																																																																																																																																																																																																																																																																																																																																																																																																																																																																																																																												
135	280	22,8	25,8	0,1332	225 x	180	235	27,1	30,1		0,1692	BFL	280	-		105		16,6	19,6		0,0897		BFL	-		-			9,8		11,5			0,0246	-				-	10,3		12	0,0287				-	-	10,8	12,5	0,0338				-	5	11,4	13,1	0,0390				-	20	12,1	13,8	0,0451				-	30	12,5	14,2	0,0492				-	37	12,9	14,6	0,0523				-	57	13,8	15,5	0,0605				-	80	14,8	16,5	0,0697				-	105	15,9	18,9	0,0800				-	130	17	20	0,0902			10	155	17,4	20,4	0,0882	15	160		17,6	20,6	0,0900	35	180	18,4	21,4	0,0972	50	195	19,1	22,1	0,1026	60	205	19,5	22,5	0,1062	70	230	20,6	23,6	0,1152	80	280	22,8	25,8	0,1332	90	235	20,8	23,8	0,1170	110	255	21,7	24,7	0,1242	135	280	22,8	25,8	0,1332	225 x	180	235	27,1	30,1		0,1692	BFL	280	-		130		17,8	20,8		0,1012		BFL	-		-			9,8		11,5			0,0246		-			-	10,3				12	0,0287		-	-				10,8	12,5	0,0338	-	5				11,4	13,1	0,0390	-	20				12,1	13,8	0,0451	-	30				12,5	14,2	0,0492	-	37				12,9	14,6	0,0523	-	57				13,8	15,5	0,0605	-	80				14,8	16,5	0,0697	-	105				15,9	18,9	0,0800	-	130			17	20	0,0902	10	155	17,4	20,4		0,0882	15	160	17,6	20,6	0,0900	35	180	18,4	21,4	0,0972	50	195	19,1	22,1	0,1026	60	205	19,5	22,5	0,1062	70	230	20,6	23,6	0,1152	80	280	22,8	25,8	0,1332	90	235	20,8	23,8	0,1170	110	255	21,7	24,7	0,1242	135	280	22,8	25,8	0,1332	225 x	180	235	27,1	30,1		0,1692	BFL	280	-		155		18,9	21,9		0,1127		BFL	-		-			9,8		11,5				0,0246	-					-	10,3		12	0,0287					-	-	10,8	12,5				0,0338	-	5	11,4	13,1				0,0390	-	20	12,1	13,8				0,0451	-	30	12,5	14,2				0,0492	-	37	12,9	14,6				0,0523	-	57	13,8	15,5				0,0605	-	80	14,8	16,5				0,0697	-	105	15,9	18,9			0,0800	-	130	17	20	0,0902	10		155	17,4	20,4	0,0882	15	160	17,6	20,6	0,0900	35	180	18,4	21,4	0,0972	50	195	19,1	22,1	0,1026	60	205	19,5	22,5	0,1062	70	230	20,6	23,6	0,1152	80	280	22,8	25,8	0,1332	90	235	20,8	23,8	0,1170	110	255	21,7	24,7	0,1242	135	280	22																																																																																																																																																																																																																																																																																																																																																																																																																																																																																																																																																																																																																																																																																																																																																																																																																																																																																																																																																																																																																																																																																																																																																																	
225 x	180	235	27,1	30,1		0,1692	BFL	280	-		105		16,6	19,6		0,0897		BFL																																																																																																																																																																																																																																																																																																																																																																																																																																																																																																																																																																																																																																																																																																																																																																																																																																																																																																																																																																																																																																																																																																																																																																																																																																																																																																																																																																																																																																																																																																																																																																																																																																																													
	-	-	9,8	11,5		0,0246		-	-		10,3		12	0,0287		-			-		10,8			12,5		0,0338			-		5			11,4	13,1				0,0390	-		20	12,1				13,8	0,0451	-	30	12,5				14,2	0,0492	-	37	12,9				14,6	0,0523	-	57	13,8				15,5	0,0605	-	80	14,8				16,5	0,0697	-	105	15,9				18,9	0,0800	-	130	17				20	0,0902	10	155	17,4			20,4	0,0882	15	160	17,6	20,6	0,0900		35	180	18,4	21,4	0,0972	50	195	19,1	22,1	0,1026	60	205	19,5	22,5	0,1062	70	230	20,6	23,6	0,1152	80	280	22,8	25,8	0,1332	90	235	20,8	23,8	0,1170	110	255	21,7	24,7	0,1242	135	280	22,8	25,8	0,1332	225 x	180	235	27,1	30,1	0,1692	BFL	280	-	130	17,8	20,8	0,1012	BFL	-	-	9,8	11,5	0,0246		-	-	10,3	12		0,0287		-	-		10,8		12,5	0,0338		-			5		11,4			13,1		0,0390			-		20			12,1	13,8				0,0451	-		30	12,5				14,2	0,0492	-	37	12,9				14,6	0,0523	-	57	13,8				15,5	0,0605	-	80	14,8				16,5	0,0697	-	105	15,9				18,9	0,0800	-	130	17				20	0,0902	10	155	17,4			20,4	0,0882	15	160	17,6	20,6	0,0900		35	180	18,4	21,4	0,0972	50	195	19,1	22,1	0,1026	60	205	19,5	22,5	0,1062	70	230	20,6	23,6	0,1152	80	280	22,8	25,8	0,1332	90	235	20,8	23,8	0,1170	110	255	21,7	24,7	0,1242	135	280	22,8	25,8	0,1332	225 x	180	235	27,1	30,1	0,1692	BFL	280	-	155	18,9	21,9	0,1127	BFL	-	-	9,8	11,5	0,0246	-	-	10,3		12	0,0287	-	-		10,8		12,5	0,0338		-		5	11,4		13,1			0,0390		-			20		12,1				13,8	0,0451					-	30		12,5	14,2					0,0492	-	37	12,9				14,6	0,0523	-	57	13,8				15,5	0,0605	-	80	14,8				16,5	0,0697	-	105	15,9				18,9	0,0800	-	130	17				20	0,0902	10	155	17,4			20,4	0,0882	15	160	17,6	20,6	0,0900		35	180	18,4	21,4	0,0972	50	195	19,1	22,1	0,1026	60	205	19,5	22,5	0,1062	70	230	20,6	23,6	0,1152	80	280	22,8	25,8	0,1332	90	235	20,8	23,8	0,1170	110	255	21,7	24,7	0,1242	135	280	22																																																																																																																																																																																																																																																																																																																																																																																																																																																																																																																																																																																																																																																																																																																																																																																																																																																																																																																																																																																																																																																																																																																																																																																										
	-	-	10,3	12		0,0287		-	-		10,8		12,5	0,0338		-			5		11,4			13,1		0,0390			-		20			12,1	13,8				0,0451	-		30	12,5				14,2	0,0492	-	37	12,9				14,6	0,0523	-	57	13,8				15,5	0,0605	-	80	14,8				16,5	0,0697	-	105	15,9				18,9	0,0800	-	130	17				20	0,0902	10	155	17,4			20,4	0,0882	15	160	17,6	20,6	0,0900		35	180	18,4	21,4	0,0972	50	195	19,1	22,1	0,1026	60	205	19,5	22,5	0,1062	70	230	20,6	23,6	0,1152	80	280	22,8	25,8	0,1332	90	235	20,8	23,8	0,1170	110	255	21,7	24,7	0,1242	135	280	22,8	25,8	0,1332	225 x	180	235	27,1	30,1	0,1692	BFL	280		-	130	17,8	20,8	0,1012		BFL	-	-	9,8	11,5	0,0246		-	-	10,3	12	0,0287		-	-	10,8	12,5		0,0338		-	5		11,4		13,1	0,0390		-			20		12,1			13,8		0,0451			-		30			12,5	14,2				0,0492	-		37	12,9				14,6	0,0523	-	57	13,8				15,5	0,0605	-	80	14,8				16,5	0,0697	-	105	15,9				18,9	0,0800	-	130	17				20	0,0902	10	155	17,4			20,4	0,0882	15	160	17,6	20,6	0,0900		35	180	18,4	21,4	0,0972	50	195	19,1	22,1	0,1026	60	205	19,5	22,5	0,1062	70	230	20,6	23,6	0,1152	80	280	22,8	25,8	0,1332	90	235	20,8	23,8	0,1170	110	255	21,7	24,7	0,1242	135	280	22,8	25,8	0,1332	225 x	180	235	27,1	30,1	0,1692	BFL	280		-	155	18,9	21,9	0,1127		BFL	-	-	9,8	11,5	0,0246		-	-	10,3	12	0,0287	-	-	10,8		12,5	0,0338	-	5		11,4		13,1	0,0390		-		20	12,1		13,8			0,0451		-			30		12,5				14,2	0,0492					-	37		12,9	14,6					0,0523	-	57	13,8				15,5	0,0605	-	80	14,8				16,5	0,0697	-	105	15,9				18,9	0,0800	-	130	17				20	0,0902	10	155	17,4			20,4	0,0882	15	160	17,6	20,6	0,0900		35	180	18,4	21,4	0,0972	50	195	19,1	22,1	0,1026	60	205	19,5	22,5	0,1062	70	230	20,6	23,6	0,1152	80	280	22,8	25,8	0,1332	90	235	20,8	23,8	0,1170	110	255	21,7	24,7	0,1242	135	280	22																																																																																																																																																																																																																																																																																																																																																																																																																																																																																																																																																																																																																																																																																																																																																																																																																																																																																																																																																																																																																																																																																																																																																																																																		
	-	-	10,8	12,5		0,0338		-	5		11,4		13,1	0,0390		-			20		12,1			13,8		0,0451			-		30			12,5	14,2				0,0492	-		37	12,9				14,6	0,0523	-	57	13,8				15,5	0,0605	-	80	14,8				16,5	0,0697	-	105	15,9				18,9	0,0800	-	130	17				20	0,0902	10	155	17,4			20,4	0,0882	15	160	17,6	20,6	0,0900		35	180	18,4	21,4	0,0972	50	195	19,1	22,1	0,1026	60	205	19,5	22,5	0,1062	70	230	20,6	23,6	0,1152	80	280	22,8	25,8	0,1332	90	235	20,8	23,8	0,1170	110	255	21,7	24,7	0,1242	135	280	22,8	25,8	0,1332	225 x	180	235	27,1	30,1	0,1692	BFL	280		-	130	17,8	20,8	0,1012		BFL		-	-	9,8	11,5	0,0246			-	-	10,3	12	0,0287		-	-	10,8	12,5	0,0338		-	5	11,4	13,1		0,0390		-	20		12,1		13,8	0,0451		-			30		12,5			14,2		0,0492			-		37			12,9	14,6				0,0523	-		57	13,8				15,5	0,0605	-	80	14,8				16,5	0,0697	-	105	15,9				18,9	0,0800	-	130	17				20	0,0902	10	155	17,4			20,4	0,0882	15	160	17,6	20,6	0,0900		35	180	18,4	21,4	0,0972	50	195	19,1	22,1	0,1026	60	205	19,5	22,5	0,1062	70	230	20,6	23,6	0,1152	80	280	22,8	25,8	0,1332	90	235	20,8	23,8	0,1170	110	255	21,7	24,7	0,1242	135	280	22,8	25,8	0,1332	225 x	180	235	27,1	30,1	0,1692	BFL	280		-	155	18,9	21,9	0,1127		BFL		-	-	9,8	11,5	0,0246			-	-	10,3	12	0,0287		-	-	10,8	12,5	0,0338	-	5	11,4		13,1	0,0390	-	20		12,1		13,8	0,0451		-		30	12,5		14,2			0,0492		-			37		12,9				14,6	0,0523					-	57		13,8	15,5					0,0605	-	80	14,8				16,5	0,0697	-	105	15,9				18,9	0,0800	-	130	17				20	0,0902	10	155	17,4			20,4	0,0882	15	160	17,6	20,6	0,0900		35	180	18,4	21,4	0,0972	50	195	19,1	22,1	0,1026	60	205	19,5	22,5	0,1062	70	230	20,6	23,6	0,1152	80	280	22,8	25,8	0,1332	90	235	20,8	23,8	0,1170	110	255	21,7	24,7	0,1242	135	280	22																																																																																																																																																																																																																																																																																																																																																																																																																																																																																																																																																																																																																																																																																																																																																																																																																																																																																																																																																																																																																																																																																																																																																																																																										
	-	5	11,4	13,1		0,0390		-	20		12,1		13,8	0,0451		-			30		12,5			14,2		0,0492			-		37			12,9	14,6				0,0523	-		57	13,8				15,5	0,0605	-	80	14,8				16,5	0,0697	-	105	15,9				18,9	0,0800	-	130	17				20	0,0902	10	155	17,4			20,4	0,0882	15	160	17,6	20,6	0,0900		35	180	18,4	21,4	0,0972	50	195	19,1	22,1	0,1026	60	205	19,5	22,5	0,1062	70	230	20,6	23,6	0,1152	80	280	22,8	25,8	0,1332	90	235	20,8	23,8	0,1170	110	255	21,7	24,7	0,1242	135	280	22,8	25,8	0,1332	225 x	180	235	27,1	30,1	0,1692	BFL	280		-	130	17,8	20,8	0,1012		BFL		-	-	9,8	11,5	0,0246				-	-	10,3	12	0,0287			-	-	10,8	12,5	0,0338		-	5	11,4	13,1	0,0390		-	20	12,1	13,8		0,0451		-	30		12,5		14,2	0,0492		-			37		12,9			14,6		0,0523			-		57			13,8	15,5				0,0605	-		80	14,8				16,5	0,0697	-	105	15,9				18,9	0,0800	-	130	17				20	0,0902	10	155	17,4			20,4	0,0882	15	160	17,6	20,6	0,0900		35	180	18,4	21,4	0,0972	50	195	19,1	22,1	0,1026	60	205	19,5	22,5	0,1062	70	230	20,6	23,6	0,1152	80	280	22,8	25,8	0,1332	90	235	20,8	23,8	0,1170	110	255	21,7	24,7	0,1242	135	280	22,8	25,8	0,1332	225 x	180	235	27,1	30,1	0,1692	BFL	280		-	155	18,9	21,9	0,1127		BFL		-	-	9,8	11,5	0,0246				-	-	10,3	12	0,0287			-	-	10,8	12,5	0,0338		-	5	11,4	13,1	0,0390	-	20	12,1		13,8	0,0451	-	30		12,5		14,2	0,0492		-		37	12,9		14,6			0,0523		-			57		13,8				15,5	0,0605					-	80		14,8	16,5					0,0697	-	105	15,9				18,9	0,0800	-	130	17				20	0,0902	10	155	17,4			20,4	0,0882	15	160	17,6	20,6	0,0900		35	180	18,4	21,4	0,0972	50	195	19,1	22,1	0,1026	60	205	19,5	22,5	0,1062	70	230	20,6	23,6	0,1152	80	280	22,8	25,8	0,1332	90	235	20,8	23,8	0,1170	110	255	21,7	24,7	0,1242	135	280	22																																																																																																																																																																																																																																																																																																																																																																																																																																																																																																																																																																																																																																																																																																																																																																																																																																																																																																																																																																																																																																																																																																																																																																																																																		
	-	20	12,1	13,8		0,0451		-	30		12,5		14,2	0,0492		-			37		12,9			14,6		0,0523			-		57			13,8	15,5				0,0605	-		80	14,8				16,5	0,0697	-	105	15,9				18,9	0,0800	-	130	17				20	0,0902	10	155	17,4			20,4	0,0882	15	160	17,6	20,6	0,0900		35	180	18,4	21,4	0,0972	50	195	19,1	22,1	0,1026	60	205	19,5	22,5	0,1062	70	230	20,6	23,6	0,1152	80	280	22,8	25,8	0,1332	90	235	20,8	23,8	0,1170	110	255	21,7	24,7	0,1242	135	280	22,8	25,8	0,1332	225 x	180	235	27,1	30,1	0,1692	BFL	280		-	130	17,8	20,8	0,1012		BFL		-	-	9,8	11,5	0,0246				-	-	10,3	12	0,0287				-	-	10,8	12,5	0,0338			-	5	11,4	13,1	0,0390		-	20	12,1	13,8	0,0451		-	30	12,5	14,2		0,0492		-	37		12,9		14,6	0,0523		-			57		13,8			15,5		0,0605			-		80			14,8	16,5				0,0697	-		105	15,9				18,9	0,0800	-	130	17				20	0,0902	10	155	17,4			20,4	0,0882	15	160	17,6	20,6	0,0900		35	180	18,4	21,4	0,0972	50	195	19,1	22,1	0,1026	60	205	19,5	22,5	0,1062	70	230	20,6	23,6	0,1152	80	280	22,8	25,8	0,1332	90	235	20,8	23,8	0,1170	110	255	21,7	24,7	0,1242	135	280	22,8	25,8	0,1332	225 x	180	235	27,1	30,1	0,1692	BFL	280		-	155	18,9	21,9	0,1127		BFL		-	-	9,8	11,5	0,0246				-	-	10,3	12	0,0287				-	-	10,8	12,5	0,0338			-	5	11,4	13,1	0,0390		-	20	12,1	13,8	0,0451	-	30	12,5		14,2	0,0492	-	37		12,9		14,6	0,0523		-		57	13,8		15,5			0,0605		-			80		14,8				16,5	0,0697					-	105		15,9	18,9					0,0800	-	130	17				20	0,0902	10	155	17,4			20,4	0,0882	15	160	17,6	20,6	0,0900		35	180	18,4	21,4	0,0972	50	195	19,1	22,1	0,1026	60	205	19,5	22,5	0,1062	70	230	20,6	23,6	0,1152	80	280	22,8	25,8	0,1332	90	235	20,8	23,8	0,1170	110	255	21,7	24,7	0,1242	135	280	22																																																																																																																																																																																																																																																																																																																																																																																																																																																																																																																																																																																																																																																																																																																																																																																																																																																																																																																																																																																																																																																																																																																																																																																																																										
	-	30	12,5	14,2		0,0492		-	37		12,9		14,6	0,0523		-			57		13,8			15,5		0,0605			-		80			14,8	16,5				0,0697	-		105	15,9				18,9	0,0800	-	130	17				20	0,0902	10	155	17,4			20,4	0,0882	15	160	17,6	20,6	0,0900		35	180	18,4	21,4	0,0972	50	195	19,1	22,1	0,1026	60	205	19,5	22,5	0,1062	70	230	20,6	23,6	0,1152	80	280	22,8	25,8	0,1332	90	235	20,8	23,8	0,1170	110	255	21,7	24,7	0,1242	135	280	22,8	25,8	0,1332	225 x	180	235	27,1	30,1	0,1692	BFL	280		-	130	17,8	20,8	0,1012		BFL		-	-	9,8	11,5	0,0246				-	-	10,3	12	0,0287				-	-	10,8	12,5	0,0338				-	5	11,4	13,1	0,0390			-	20	12,1	13,8	0,0451		-	30	12,5	14,2	0,0492		-	37	12,9	14,6		0,0523		-	57		13,8		15,5	0,0605		-			80		14,8			16,5		0,0697			-		105			15,9	18,9				0,0800	-		130	17				20	0,0902	10	155	17,4			20,4	0,0882	15	160	17,6	20,6	0,0900		35	180	18,4	21,4	0,0972	50	195	19,1	22,1	0,1026	60	205	19,5	22,5	0,1062	70	230	20,6	23,6	0,1152	80	280	22,8	25,8	0,1332	90	235	20,8	23,8	0,1170	110	255	21,7	24,7	0,1242	135	280	22,8	25,8	0,1332	225 x	180	235	27,1	30,1	0,1692	BFL	280		-	155	18,9	21,9	0,1127		BFL		-	-	9,8	11,5	0,0246				-	-	10,3	12	0,0287				-	-	10,8	12,5	0,0338				-	5	11,4	13,1	0,0390			-	20	12,1	13,8	0,0451		-	30	12,5	14,2	0,0492	-	37	12,9		14,6	0,0523	-	57		13,8		15,5	0,0605		-		80	14,8		16,5			0,0697		-			105		15,9				18,9	0,0800					-	130		17	20					0,0902	10	155	17,4			20,4	0,0882	15	160	17,6	20,6	0,0900		35	180	18,4	21,4	0,0972	50	195	19,1	22,1	0,1026	60	205	19,5	22,5	0,1062	70	230	20,6	23,6	0,1152	80	280	22,8	25,8	0,1332	90	235	20,8	23,8	0,1170	110	255	21,7	24,7	0,1242	135	280	22																																																																																																																																																																																																																																																																																																																																																																																																																																																																																																																																																																																																																																																																																																																																																																																																																																																																																																																																																																																																																																																																																																																																																																																																																																		
	-	37	12,9	14,6		0,0523		-	57		13,8		15,5	0,0605		-			80		14,8			16,5		0,0697			-		105			15,9	18,9				0,0800	-		130	17				20	0,0902	10	155	17,4			20,4	0,0882	15	160	17,6	20,6	0,0900		35	180	18,4	21,4	0,0972	50	195	19,1	22,1	0,1026	60	205	19,5	22,5	0,1062	70	230	20,6	23,6	0,1152	80	280	22,8	25,8	0,1332	90	235	20,8	23,8	0,1170	110	255	21,7	24,7	0,1242	135	280	22,8	25,8	0,1332	225 x	180	235	27,1	30,1	0,1692	BFL	280		-	130	17,8	20,8	0,1012		BFL		-	-	9,8	11,5	0,0246				-	-	10,3	12	0,0287				-	-	10,8	12,5	0,0338				-	5	11,4	13,1	0,0390				-	20	12,1	13,8	0,0451			-	30	12,5	14,2	0,0492		-	37	12,9	14,6	0,0523		-	57	13,8	15,5		0,0605		-	80		14,8		16,5	0,0697		-			105		15,9			18,9		0,0800			-		130			17	20				0,0902	10		155	17,4			20,4	0,0882	15	160	17,6	20,6	0,0900		35	180	18,4	21,4	0,0972	50	195	19,1	22,1	0,1026	60	205	19,5	22,5	0,1062	70	230	20,6	23,6	0,1152	80	280	22,8	25,8	0,1332	90	235	20,8	23,8	0,1170	110	255	21,7	24,7	0,1242	135	280	22,8	25,8	0,1332	225 x	180	235	27,1	30,1	0,1692	BFL	280		-	155	18,9	21,9	0,1127		BFL		-	-	9,8	11,5	0,0246				-	-	10,3	12	0,0287				-	-	10,8	12,5	0,0338				-	5	11,4	13,1	0,0390				-	20	12,1	13,8	0,0451			-	30	12,5	14,2	0,0492		-	37	12,9	14,6	0,0523	-	57	13,8		15,5	0,0605	-	80		14,8		16,5	0,0697		-		105	15,9		18,9			0,0800		-			130		17				20	0,0902					10	155		17,4	20,4			0,0882		15	160	17,6	20,6	0,0900		35	180	18,4	21,4	0,0972	50	195	19,1	22,1	0,1026	60	205	19,5	22,5	0,1062	70	230	20,6	23,6	0,1152	80	280	22,8	25,8	0,1332	90	235	20,8	23,8	0,1170	110	255	21,7	24,7	0,1242	135	280	22																																																																																																																																																																																																																																																																																																																																																																																																																																																																																																																																																																																																																																																																																																																																																																																																																																																																																																																																																																																																																																																																																																																																																																																																																																										
	-	57	13,8	15,5		0,0605		-	80		14,8		16,5	0,0697		-			105		15,9			18,9		0,0800			-		130			17	20				0,0902	10		155	17,4			20,4	0,0882	15	160	17,6	20,6	0,0900		35	180	18,4	21,4	0,0972	50	195	19,1	22,1	0,1026	60	205	19,5	22,5	0,1062	70	230	20,6	23,6	0,1152	80	280	22,8	25,8	0,1332	90	235	20,8	23,8	0,1170	110	255	21,7	24,7	0,1242	135	280	22,8	25,8	0,1332	225 x	180	235	27,1	30,1	0,1692	BFL	280		-	130	17,8	20,8	0,1012		BFL		-	-	9,8	11,5	0,0246				-	-	10,3	12	0,0287				-	-	10,8	12,5	0,0338				-	5	11,4	13,1	0,0390				-	20	12,1	13,8	0,0451				-	30	12,5	14,2	0,0492			-	37	12,9	14,6	0,0523		-	57	13,8	15,5	0,0605		-	80	14,8	16,5		0,0697		-	105		15,9		18,9	0,0800		-			130		17			20		0,0902			10		155			17,4	20,4			0,0882	15	160		17,6	20,6	0,0900		35	180	18,4	21,4	0,0972	50	195	19,1	22,1	0,1026	60	205	19,5	22,5	0,1062	70	230	20,6	23,6	0,1152	80	280	22,8	25,8	0,1332	90	235	20,8	23,8	0,1170	110	255	21,7	24,7	0,1242	135	280	22,8	25,8	0,1332	225 x	180	235	27,1	30,1	0,1692	BFL	280		-	155	18,9	21,9	0,1127		BFL		-	-	9,8	11,5	0,0246				-	-	10,3	12	0,0287				-	-	10,8	12,5	0,0338				-	5	11,4	13,1	0,0390				-	20	12,1	13,8	0,0451				-	30	12,5	14,2	0,0492			-	37	12,9	14,6	0,0523		-	57	13,8	15,5	0,0605	-	80	14,8		16,5	0,0697	-	105		15,9		18,9	0,0800		-		130	17		20			0,0902		10			155		17,4				20,4	0,0882				15	160	17,6		20,6	0,0900	35		180		18,4	21,4	0,0972	50	195	19,1	22,1	0,1026	60	205	19,5	22,5	0,1062	70	230	20,6	23,6	0,1152	80	280	22,8	25,8	0,1332	90	235	20,8	23,8	0,1170	110	255	21,7	24,7	0,1242	135	280	22																																																																																																																																																																																																																																																																																																																																																																																																																																																																																																																																																																																																																																																																																																																																																																																																																																																																																																																																																																																																																																																																																																																																																																																																																																																		
	-	80	14,8	16,5		0,0697		-	105		15,9		18,9	0,0800		-			130		17			20		0,0902			10		155			17,4	20,4			0,0882	15	160		17,6	20,6	0,0900		35	180	18,4	21,4	0,0972	50	195	19,1	22,1	0,1026	60	205	19,5	22,5	0,1062	70	230	20,6	23,6	0,1152	80	280	22,8	25,8	0,1332	90	235	20,8	23,8	0,1170	110	255	21,7	24,7	0,1242	135	280	22,8	25,8	0,1332	225 x	180	235	27,1	30,1	0,1692	BFL	280		-	130	17,8	20,8	0,1012		BFL		-	-	9,8	11,5	0,0246				-	-	10,3	12	0,0287				-	-	10,8	12,5	0,0338				-	5	11,4	13,1	0,0390				-	20	12,1	13,8	0,0451				-	30	12,5	14,2	0,0492				-	37	12,9	14,6	0,0523			-	57	13,8	15,5	0,0605		-	80	14,8	16,5	0,0697		-	105	15,9	18,9		0,0800		-	130		17		20	0,0902		10			155		17,4			20,4		0,0882			15	160	17,6			20,6	0,0900	35		180	18,4	21,4		0,0972	50	195	19,1	22,1	0,1026	60	205	19,5	22,5	0,1062	70	230	20,6	23,6	0,1152	80	280	22,8	25,8	0,1332	90	235	20,8	23,8	0,1170	110	255	21,7	24,7	0,1242	135	280	22,8	25,8	0,1332	225 x	180	235	27,1	30,1	0,1692	BFL	280		-	155	18,9	21,9	0,1127		BFL		-	-	9,8	11,5	0,0246				-	-	10,3	12	0,0287				-	-	10,8	12,5	0,0338				-	5	11,4	13,1	0,0390				-	20	12,1	13,8	0,0451				-	30	12,5	14,2	0,0492				-	37	12,9	14,6	0,0523			-	57	13,8	15,5	0,0605		-	80	14,8	16,5	0,0697	-	105	15,9		18,9	0,0800	-	130		17		20	0,0902		10		155	17,4		20,4			0,0882		15			160		17,6	20,6			0,0900	35		180		18,4	21,4	0,0972		50	195	19,1	22,1	0,1026		60	205	19,5	22,5	0,1062	70	230	20,6	23,6	0,1152	80	280	22,8	25,8	0,1332	90	235	20,8	23,8	0,1170	110	255	21,7	24,7	0,1242	135	280	22																																																																																																																																																																																																																																																																																																																																																																																																																																																																																																																																																																																																																																																																																																																																																																																																																																																																																																																																																																																																																																																																																																																																																																																																																																																										
	-	105	15,9	18,9		0,0800		-	130		17		20	0,0902		10			155		17,4			20,4		0,0882			15	160	17,6			20,6	0,0900	35		180	18,4	21,4		0,0972	50	195	19,1	22,1	0,1026	60	205	19,5	22,5	0,1062	70	230	20,6	23,6	0,1152	80	280	22,8	25,8	0,1332	90	235	20,8	23,8	0,1170	110	255	21,7	24,7	0,1242	135	280	22,8	25,8	0,1332	225 x	180	235	27,1	30,1	0,1692	BFL	280		-	130	17,8	20,8	0,1012		BFL		-	-	9,8	11,5	0,0246				-	-	10,3	12	0,0287				-	-	10,8	12,5	0,0338				-	5	11,4	13,1	0,0390				-	20	12,1	13,8	0,0451				-	30	12,5	14,2	0,0492				-	37	12,9	14,6	0,0523				-	57	13,8	15,5	0,0605			-	80	14,8	16,5	0,0697		-	105	15,9	18,9	0,0800		-	130	17	20		0,0902		10	155		17,4		20,4	0,0882		15			160		17,6			20,6	0,0900	35			180	18,4	21,4	0,0972		50	195	19,1		22,1	0,1026	60	205	19,5	22,5	0,1062	70	230	20,6	23,6	0,1152	80	280	22,8	25,8	0,1332	90	235	20,8	23,8	0,1170	110	255	21,7	24,7	0,1242	135	280	22,8	25,8	0,1332	225 x	180	235	27,1	30,1	0,1692	BFL	280		-	155	18,9	21,9	0,1127		BFL		-	-	9,8	11,5	0,0246				-	-	10,3	12	0,0287				-	-	10,8	12,5	0,0338				-	5	11,4	13,1	0,0390				-	20	12,1	13,8	0,0451				-	30	12,5	14,2	0,0492				-	37	12,9	14,6	0,0523				-	57	13,8	15,5	0,0605			-	80	14,8	16,5	0,0697		-	105	15,9	18,9	0,0800	-	130	17		20	0,0902	10	155		17,4		20,4	0,0882		15		160	17,6		20,6			0,0900		35			180	18,4	21,4	0,0972			50	195	19,1	22,1		0,1026	60	205		19,5	22,5	0,1062	70	230	20,6	23,6	0,1152	80	280	22,8	25,8	0,1332	90	235	20,8	23,8	0,1170	110	255	21,7	24,7	0,1242	135	280	22																																																																																																																																																																																																																																																																																																																																																																																																																																																																																																																																																																																																																																																																																																																																																																																																																																																																																																																																																																																																																																																																																																																																																																																																																																																																		
	-	130	17	20		0,0902		10	155		17,4		20,4	0,0882		15			160		17,6			20,6	0,0900	35			180	18,4	21,4	0,0972		50	195	19,1		22,1	0,1026	60	205	19,5	22,5	0,1062	70	230	20,6	23,6	0,1152	80	280	22,8	25,8	0,1332	90	235	20,8	23,8	0,1170	110	255	21,7	24,7	0,1242	135	280	22,8	25,8	0,1332	225 x	180	235	27,1	30,1	0,1692	BFL	280		-	130	17,8	20,8	0,1012		BFL		-	-	9,8	11,5	0,0246				-	-	10,3	12	0,0287				-	-	10,8	12,5	0,0338				-	5	11,4	13,1	0,0390				-	20	12,1	13,8	0,0451				-	30	12,5	14,2	0,0492				-	37	12,9	14,6	0,0523				-	57	13,8	15,5	0,0605				-	80	14,8	16,5	0,0697			-	105	15,9	18,9	0,0800		-	130	17	20	0,0902		10	155	17,4	20,4		0,0882		15	160		17,6		20,6	0,0900		35			180	18,4	21,4			0,0972	50	195	19,1		22,1	0,1026	60	205		19,5	22,5	0,1062	70	230	20,6	23,6	0,1152	80	280	22,8	25,8	0,1332	90	235	20,8	23,8	0,1170	110	255	21,7	24,7	0,1242	135	280	22,8	25,8	0,1332	225 x	180	235	27,1	30,1	0,1692	BFL	280		-	155	18,9	21,9	0,1127		BFL		-	-	9,8	11,5	0,0246				-	-	10,3	12	0,0287				-	-	10,8	12,5	0,0338				-	5	11,4	13,1	0,0390				-	20	12,1	13,8	0,0451				-	30	12,5	14,2	0,0492				-	37	12,9	14,6	0,0523				-	57	13,8	15,5	0,0605				-	80	14,8	16,5	0,0697			-	105	15,9	18,9	0,0800		-	130	17	20	0,0902	10	155	17,4		20,4	0,0882	15	160		17,6		20,6	0,0900		35		180	18,4		21,4			0,0972	50	195			19,1	22,1	0,1026	60	205		19,5	22,5	0,1062	70		230	20,6	23,6	0,1152	80	280	22,8	25,8	0,1332	90	235	20,8	23,8	0,1170	110	255	21,7	24,7	0,1242	135	280	22																																																																																																																																																																																																																																																																																																																																																																																																																																																																																																																																																																																																																																																																																																																																																																																																																																																																																																																																																																																																																																																																																																																																																																																																																																																																										
	10	155	17,4	20,4		0,0882		15	160		17,6		20,6	0,0900		35			180	18,4	21,4			0,0972	50	195	19,1		22,1	0,1026	60	205		19,5	22,5	0,1062	70	230	20,6	23,6	0,1152	80	280	22,8	25,8	0,1332	90	235	20,8	23,8	0,1170	110	255	21,7	24,7	0,1242	135	280	22,8	25,8	0,1332	225 x	180	235	27,1	30,1	0,1692	BFL	280		-	130	17,8	20,8	0,1012		BFL		-	-	9,8	11,5	0,0246				-	-	10,3	12	0,0287				-	-	10,8	12,5	0,0338				-	5	11,4	13,1	0,0390				-	20	12,1	13,8	0,0451				-	30	12,5	14,2	0,0492				-	37	12,9	14,6	0,0523				-	57	13,8	15,5	0,0605				-	80	14,8	16,5	0,0697				-	105	15,9	18,9	0,0800			-	130	17	20	0,0902		10	155	17,4	20,4	0,0882		15	160	17,6	20,6		0,0900		35	180		18,4		21,4	0,0972	50	195			19,1	22,1	0,1026	60		205	19,5	22,5	0,1062		70	230	20,6	23,6	0,1152	80	280	22,8	25,8	0,1332	90	235	20,8	23,8	0,1170	110	255	21,7	24,7	0,1242	135	280	22,8	25,8	0,1332	225 x	180	235	27,1	30,1	0,1692	BFL	280		-	155	18,9	21,9	0,1127		BFL		-	-	9,8	11,5	0,0246				-	-	10,3	12	0,0287				-	-	10,8	12,5	0,0338				-	5	11,4	13,1	0,0390				-	20	12,1	13,8	0,0451				-	30	12,5	14,2	0,0492				-	37	12,9	14,6	0,0523				-	57	13,8	15,5	0,0605				-	80	14,8	16,5	0,0697				-	105	15,9	18,9	0,0800			-	130	17	20	0,0902		10	155	17,4	20,4	0,0882	15	160	17,6		20,6	0,0900	35	180		18,4		21,4	0,0972		50		195	19,1	22,1	0,1026			60	205	19,5	22,5		0,1062	70	230	20,6	23,6		0,1152	80	280	22,8	25,8	0,1332	90	235	20,8	23,8	0,1170	110	255	21,7	24,7	0,1242	135	280	22																																																																																																																																																																																																																																																																																																																																																																																																																																																																																																																																																																																																																																																																																																																																																																																																																																																																																																																																																																																																																																																																																																																																																																																																																																																																																		
	15	160	17,6	20,6		0,0900		35	180		18,4		21,4	0,0972	50	195			19,1	22,1	0,1026	60		205	19,5	22,5	0,1062		70	230	20,6	23,6	0,1152	80	280	22,8	25,8	0,1332	90	235	20,8	23,8	0,1170	110	255	21,7	24,7	0,1242	135	280	22,8	25,8	0,1332	225 x	180	235	27,1	30,1	0,1692	BFL	280		-	130	17,8	20,8	0,1012		BFL		-	-	9,8	11,5	0,0246				-	-	10,3	12	0,0287				-	-	10,8	12,5	0,0338				-	5	11,4	13,1	0,0390				-	20	12,1	13,8	0,0451				-	30	12,5	14,2	0,0492				-	37	12,9	14,6	0,0523				-	57	13,8	15,5	0,0605				-	80	14,8	16,5	0,0697				-	105	15,9	18,9	0,0800				-	130	17	20	0,0902			10	155	17,4	20,4	0,0882		15	160	17,6	20,6	0,0900		35	180	18,4	21,4		0,0972		50	195	19,1	22,1		0,1026	60	205	19,5	22,5		0,1062	70	230	20,6		23,6	0,1152	80	280	22,8	25,8	0,1332	90	235	20,8	23,8	0,1170	110	255	21,7	24,7	0,1242	135	280	22,8	25,8	0,1332	225 x	180	235	27,1	30,1	0,1692	BFL	280		-	155	18,9	21,9	0,1127		BFL		-	-	9,8	11,5	0,0246				-	-	10,3	12	0,0287				-	-	10,8	12,5	0,0338				-	5	11,4	13,1	0,0390				-	20	12,1	13,8	0,0451				-	30	12,5	14,2	0,0492				-	37	12,9	14,6	0,0523				-	57	13,8	15,5	0,0605				-	80	14,8	16,5	0,0697				-	105	15,9	18,9	0,0800				-	130	17	20	0,0902			10	155	17,4	20,4	0,0882		15	160	17,6	20,6	0,0900	35	180	18,4		21,4	0,0972	50	195		19,1		22,1	0,1026	60	205		19,5	22,5	0,1062	70	230		20,6	23,6	0,1152	80		280	22,8	25,8	0,1332	90	235	20,8	23,8	0,1170	110	255	21,7	24,7	0,1242	135	280	22																																																																																																																																																																																																																																																																																																																																																																																																																																																																																																																																																																																																																																																																																																																																																																																																																																																																																																																																																																																																																																																																																																																																																																																																																																																																																										
	35	180	18,4	21,4		0,0972		50	195	19,1	22,1		0,1026	60	205	19,5	22,5		0,1062	70	230	20,6		23,6	0,1152	80	280	22,8	25,8	0,1332	90	235	20,8	23,8	0,1170	110	255	21,7	24,7	0,1242	135	280	22,8	25,8	0,1332	225 x	180	235	27,1	30,1	0,1692	BFL	280		-	130	17,8	20,8	0,1012		BFL		-	-	9,8	11,5	0,0246				-	-	10,3	12	0,0287				-	-	10,8	12,5	0,0338				-	5	11,4	13,1	0,0390				-	20	12,1	13,8	0,0451				-	30	12,5	14,2	0,0492				-	37	12,9	14,6	0,0523				-	57	13,8	15,5	0,0605				-	80	14,8	16,5	0,0697				-	105	15,9	18,9	0,0800				-	130	17	20	0,0902				10	155	17,4	20,4	0,0882			15	160	17,6	20,6	0,0900		35	180	18,4	21,4	0,0972		50	195	19,1	22,1	0,1026	60		205	19,5	22,5	0,1062	70	230	20,6	23,6	0,1152	80		280	22,8	25,8	0,1332	90	235	20,8	23,8	0,1170	110	255	21,7	24,7	0,1242	135	280	22,8	25,8	0,1332	225 x	180	235	27,1	30,1	0,1692	BFL	280		-	155	18,9	21,9	0,1127		BFL		-	-	9,8	11,5	0,0246				-	-	10,3	12	0,0287				-	-	10,8	12,5	0,0338				-	5	11,4	13,1	0,0390				-	20	12,1	13,8	0,0451				-	30	12,5	14,2	0,0492				-	37	12,9	14,6	0,0523				-	57	13,8	15,5	0,0605				-	80	14,8	16,5	0,0697				-	105	15,9	18,9	0,0800				-	130	17	20	0,0902				10	155	17,4	20,4	0,0882			15	160	17,6	20,6	0,0900		35	180	18,4	21,4	0,0972	50	195	19,1		22,1	0,1026	60	205	19,5	22,5		0,1062	70	230	20,6	23,6	0,1152	80	280	22,8	25,8		0,1332	90	235	20,8	23,8	0,1170	110	255	21,7	24,7	0,1242	135	280	22																																																																																																																																																																																																																																																																																																																																																																																																																																																																																																																																																																																																																																																																																																																																																																																																																																																																																																																																																																																																																																																																																																																																																																																																																																																																																																		
	50	195	19,1	22,1	0,1026	60		205	19,5	22,5	0,1062	70	230	20,6	23,6	0,1152	80		280	22,8	25,8	0,1332	90	235	20,8	23,8	0,1170	110	255	21,7	24,7	0,1242	135	280	22,8	25,8	0,1332	225 x	180	235	27,1	30,1	0,1692	BFL	280		-	130	17,8	20,8	0,1012		BFL		-	-	9,8	11,5	0,0246				-	-	10,3	12	0,0287				-	-	10,8	12,5	0,0338				-	5	11,4	13,1	0,0390				-	20	12,1	13,8	0,0451				-	30	12,5	14,2	0,0492				-	37	12,9	14,6	0,0523				-	57	13,8	15,5	0,0605				-	80	14,8	16,5	0,0697				-	105	15,9	18,9	0,0800				-	130	17	20	0,0902				10	155	17,4	20,4	0,0882				15	160	17,6	20,6	0,0900			35	180	18,4	21,4	0,0972		50	195	19,1	22,1	0,1026	60	205	19,5	22,5	0,1062	70	230	20,6	23,6	0,1152	80	280	22,8	25,8	0,1332	90	235	20,8	23,8	0,1170	110	255	21,7	24,7	0,1242	135	280	22,8	25,8	0,1332	225 x	180	235	27,1	30,1	0,1692	BFL	280		-	155	18,9	21,9	0,1127		BFL		-	-	9,8	11,5	0,0246				-	-	10,3	12	0,0287				-	-	10,8	12,5	0,0338				-	5	11,4	13,1	0,0390				-	20	12,1	13,8	0,0451				-	30	12,5	14,2	0,0492				-	37	12,9	14,6	0,0523				-	57	13,8	15,5	0,0605				-	80	14,8	16,5	0,0697				-	105	15,9	18,9	0,0800				-	130	17	20	0,0902				10	155	17,4	20,4	0,0882				15	160	17,6	20,6	0,0900			35	180	18,4	21,4	0,0972		50	195	19,1	22,1	0,1026	60	205	19,5	22,5	0,1062	70	230	20,6	23,6	0,1152	80	280	22,8	25,8	0,1332	90	235	20,8	23,8	0,1170	110	255	21,7	24,7	0,1242	135	280	22																																																																																																																																																																																																																																																																																																																																																																																																																																																																																																																																																																																																																																																																																																																																																																																																																																																																																																																																																																																																																																																																																																																																																																																																																																																																																																										
60	205	19,5	22,5	0,1062	70	230	20,6	23,6	0,1152	80	280	22,8	25,8	0,1332	90	235	20,8	23,8	0,1170	110	255	21,7	24,7	0,1242	135	280	22,8	25,8	0,1332	225 x	180	235	27,1	30,1	0,1692	BFL	280		-	130	17,8	20,8	0,1012		BFL		-	-	9,8	11,5	0,0246				-	-	10,3	12	0,0287				-	-	10,8	12,5	0,0338				-	5	11,4	13,1	0,0390				-	20	12,1	13,8	0,0451				-	30	12,5	14,2	0,0492				-	37	12,9	14,6	0,0523				-	57	13,8	15,5	0,0605				-	80	14,8	16,5	0,0697				-	105	15,9	18,9	0,0800				-	130	17	20	0,0902				10	155	17,4	20,4	0,0882				15	160	17,6	20,6	0,0900				35	180	18,4	21,4	0,0972			50	195	19,1	22,1	0,1026		60	205	19,5	22,5	0,1062	70	230	20,6	23,6	0,1152	80	280	22,8	25,8	0,1332	90	235	20,8	23,8	0,1170	110	255	21,7	24,7	0,1242	135	280	22,8	25,8	0,1332	225 x	180	235	27,1	30,1		0,1692	BFL	280	-	155		18,9		21,9	0,1127	BFL	-	-				9,8	11,5	0,0246	-	-				10,3	12	0,0287	-	-				10,8	12,5	0,0338	-	5				11,4	13,1	0,0390	-	20				12,1	13,8	0,0451	-	30				12,5	14,2	0,0492	-	37				12,9	14,6	0,0523	-	57				13,8	15,5	0,0605	-	80				14,8	16,5	0,0697	-	105				15,9	18,9	0,0800	-	130				17	20	0,0902	10	155				17,4	20,4	0,0882	15	160				17,6	20,6	0,0900	35	180			18,4	21,4	0,0972	50	195		19,1	22,1	0,1026	60	205	19,5	22,5	0,1062	70	230	20,6	23,6	0,1152	80	280	22,8	25,8	0,1332	90	235	20,8	23,8	0,1170	110	255	21,7	24,7	0,1242	135	280	22																																																																																																																																																																																																																																																																																																																																																																																																																																																																																																																																																																																																																																																																																																																																																																																																																																																																																																																																																																																																																																																																																																																																																																																																																																																																																																												
70	230	20,6	23,6	0,1152	80	280	22,8	25,8	0,1332	90	235	20,8	23,8	0,1170	110	255	21,7	24,7	0,1242	135	280	22,8	25,8	0,1332	225 x	180	235	27,1	30,1		0,1692	BFL	280	-	130		17,8		20,8	0,1012	BFL	-	-				9,8	11,5	0,0246	-	-				10,3	12	0,0287	-	-				10,8	12,5	0,0338	-	5				11,4	13,1	0,0390	-	20				12,1	13,8	0,0451	-	30				12,5	14,2	0,0492	-	37				12,9	14,6	0,0523	-	57				13,8	15,5	0,0605	-	80				14,8	16,5	0,0697	-	105				15,9	18,9	0,0800	-	130				17	20	0,0902	10	155				17,4	20,4	0,0882	15	160				17,6	20,6	0,0900	35	180			18,4	21,4	0,0972	50	195	19,1	22,1		0,1026	60	205	19,5	22,5	0,1062	70	230	20,6	23,6	0,1152	80	280	22,8	25,8	0,1332	90	235	20,8	23,8	0,1170	110	255	21,7	24,7	0,1242	135	280	22,8	25,8	0,1332	225 x	180	235	27,1	30,1		0,1692	BFL	280	-		155		18,9	21,9	0,1127		BFL		-	-		9,8	11,5				0,0246	-	-	10,3	12				0,0287	-	-	10,8	12,5				0,0338	-	5	11,4	13,1				0,0390	-	20	12,1	13,8				0,0451	-	30	12,5	14,2				0,0492	-	37	12,9	14,6				0,0523	-	57	13,8	15,5				0,0605	-	80	14,8	16,5				0,0697	-	105	15,9	18,9				0,0800	-	130	17	20				0,0902	10	155	17,4	20,4				0,0882	15	160	17,6	20,6			0,0900	35	180	18,4	21,4	0,0972	50		195	19,1	22,1	0,1026	60	205	19,5	22,5	0,1062	70	230	20,6	23,6	0,1152	80	280	22,8	25,8	0,1332	90	235	20,8	23,8	0,1170	110	255	21,7	24,7	0,1242	135	280	22																																																																																																																																																																																																																																																																																																																																																																																																																																																																																																																																																																																																																																																																																																																																																																																																																																																																																																																																																																																																																																																																																																																																																																																																																																																																																																																	
80	280	22,8	25,8	0,1332	90	235	20,8	23,8	0,1170	110	255	21,7	24,7	0,1242	135	280	22,8	25,8	0,1332	225 x	180	235	27,1	30,1		0,1692	BFL	280	-		130		17,8	20,8	0,1012		BFL		-	-		9,8	11,5				0,0246	-	-	10,3	12				0,0287	-	-	10,8	12,5				0,0338	-	5	11,4	13,1				0,0390	-	20	12,1	13,8				0,0451	-	30	12,5	14,2				0,0492	-	37	12,9	14,6				0,0523	-	57	13,8	15,5				0,0605	-	80	14,8	16,5				0,0697	-	105	15,9	18,9				0,0800	-	130	17	20				0,0902	10	155	17,4	20,4				0,0882	15	160	17,6	20,6			0,0900	35	180	18,4	21,4	0,0972	50		195	19,1	22,1	0,1026	60	205	19,5	22,5	0,1062	70	230	20,6	23,6	0,1152	80	280	22,8	25,8	0,1332	90	235	20,8	23,8	0,1170	110	255	21,7	24,7	0,1242	135	280	22,8	25,8	0,1332	225 x	180	235	27,1	30,1		0,1692	BFL	280	-		155		18,9	21,9		0,1127		BFL	-	-				9,8	11,5		0,0246	-				-	10,3	12	0,0287	-				-	10,8	12,5	0,0338	-				5	11,4	13,1	0,0390	-				20	12,1	13,8	0,0451	-				30	12,5	14,2	0,0492	-				37	12,9	14,6	0,0523	-				57	13,8	15,5	0,0605	-				80	14,8	16,5	0,0697	-				105	15,9	18,9	0,0800	-				130	17	20	0,0902	10				155	17,4	20,4	0,0882	15			160	17,6	20,6	0,0900	35	180	18,4		21,4	0,0972	50	195	19,1	22,1	0,1026	60	205	19,5	22,5	0,1062	70	230	20,6	23,6	0,1152	80	280	22,8	25,8	0,1332	90	235	20,8	23,8	0,1170	110	255	21,7	24,7	0,1242	135	280	22																																																																																																																																																																																																																																																																																																																																																																																																																																																																																																																																																																																																																																																																																																																																																																																																																																																																																																																																																																																																																																																																																																																																																																																																																																																																																																																						
90	235	20,8	23,8	0,1170	110	255	21,7	24,7	0,1242	135	280	22,8	25,8	0,1332	225 x	180	235	27,1	30,1		0,1692	BFL	280	-		130		17,8	20,8		0,1012		BFL	-	-				9,8	11,5		0,0246	-				-	10,3	12	0,0287	-				-	10,8	12,5	0,0338	-				5	11,4	13,1	0,0390	-				20	12,1	13,8	0,0451	-				30	12,5	14,2	0,0492	-				37	12,9	14,6	0,0523	-				57	13,8	15,5	0,0605	-				80	14,8	16,5	0,0697	-				105	15,9	18,9	0,0800	-				130	17	20	0,0902	10				155	17,4	20,4	0,0882	15			160	17,6	20,6	0,0900	35	180	18,4		21,4	0,0972	50	195	19,1	22,1	0,1026	60	205	19,5	22,5	0,1062	70	230	20,6	23,6	0,1152	80	280	22,8	25,8	0,1332	90	235	20,8	23,8	0,1170	110	255	21,7	24,7	0,1242	135	280	22,8	25,8	0,1332	225 x	180	235	27,1	30,1		0,1692	BFL	280	-		155		18,9	21,9		0,1127		BFL	-		-			9,8	11,5				0,0246	-		-	10,3				12	0,0287	-	-	10,8				12,5	0,0338	-	5	11,4				13,1	0,0390	-	20	12,1				13,8	0,0451	-	30	12,5				14,2	0,0492	-	37	12,9				14,6	0,0523	-	57	13,8				15,5	0,0605	-	80	14,8				16,5	0,0697	-	105	15,9				18,9	0,0800	-	130	17				20	0,0902	10	155	17,4			20,4	0,0882	15	160	17,6	20,6	0,0900		35	180	18,4	21,4	0,0972	50	195	19,1	22,1	0,1026	60	205	19,5	22,5	0,1062	70	230	20,6	23,6	0,1152	80	280	22,8	25,8	0,1332	90	235	20,8	23,8	0,1170	110	255	21,7	24,7	0,1242	135	280	22																																																																																																																																																																																																																																																																																																																																																																																																																																																																																																																																																																																																																																																																																																																																																																																																																																																																																																																																																																																																																																																																																																																																																																																																																																																																																																																											
110	255	21,7	24,7	0,1242	135	280	22,8	25,8	0,1332	225 x	180	235	27,1	30,1		0,1692	BFL	280	-		130		17,8	20,8		0,1012		BFL	-		-			9,8	11,5				0,0246	-		-	10,3				12	0,0287	-	-	10,8				12,5	0,0338	-	5	11,4				13,1	0,0390	-	20	12,1				13,8	0,0451	-	30	12,5				14,2	0,0492	-	37	12,9				14,6	0,0523	-	57	13,8				15,5	0,0605	-	80	14,8				16,5	0,0697	-	105	15,9				18,9	0,0800	-	130	17				20	0,0902	10	155	17,4			20,4	0,0882	15	160	17,6	20,6	0,0900		35	180	18,4	21,4	0,0972	50	195	19,1	22,1	0,1026	60	205	19,5	22,5	0,1062	70	230	20,6	23,6	0,1152	80	280	22,8	25,8	0,1332	90	235	20,8	23,8	0,1170	110	255	21,7	24,7	0,1242	135	280	22,8	25,8	0,1332	225 x	180	235	27,1	30,1		0,1692	BFL	280	-		155		18,9	21,9		0,1127		BFL	-		-			9,8		11,5			0,0246	-				-	10,3		12	0,0287				-	-	10,8	12,5	0,0338				-	5	11,4	13,1	0,0390				-	20	12,1	13,8	0,0451				-	30	12,5	14,2	0,0492				-	37	12,9	14,6	0,0523				-	57	13,8	15,5	0,0605				-	80	14,8	16,5	0,0697				-	105	15,9	18,9	0,0800				-	130	17	20	0,0902			10	155	17,4	20,4	0,0882	15	160		17,6	20,6	0,0900	35	180	18,4	21,4	0,0972	50	195	19,1	22,1	0,1026	60	205	19,5	22,5	0,1062	70	230	20,6	23,6	0,1152	80	280	22,8	25,8	0,1332	90	235	20,8	23,8	0,1170	110	255	21,7	24,7	0,1242	135	280	22																																																																																																																																																																																																																																																																																																																																																																																																																																																																																																																																																																																																																																																																																																																																																																																																																																																																																																																																																																																																																																																																																																																																																																																																																																																																																																																																
135	280	22,8	25,8	0,1332	225 x	180	235	27,1	30,1		0,1692	BFL	280	-		130		17,8	20,8		0,1012		BFL	-		-			9,8		11,5			0,0246	-				-	10,3		12	0,0287				-	-	10,8	12,5	0,0338				-	5	11,4	13,1	0,0390				-	20	12,1	13,8	0,0451				-	30	12,5	14,2	0,0492				-	37	12,9	14,6	0,0523				-	57	13,8	15,5	0,0605				-	80	14,8	16,5	0,0697				-	105	15,9	18,9	0,0800				-	130	17	20	0,0902			10	155	17,4	20,4	0,0882	15	160		17,6	20,6	0,0900	35	180	18,4	21,4	0,0972	50	195	19,1	22,1	0,1026	60	205	19,5	22,5	0,1062	70	230	20,6	23,6	0,1152	80	280	22,8	25,8	0,1332	90	235	20,8	23,8	0,1170	110	255	21,7	24,7	0,1242	135	280	22,8	25,8	0,1332	225 x	180	235	27,1	30,1		0,1692	BFL	280	-		155		18,9	21,9		0,1127		BFL	-		-			9,8		11,5			0,0246		-			-	10,3				12	0,0287		-	-				10,8	12,5	0,0338	-	5				11,4	13,1	0,0390	-	20				12,1	13,8	0,0451	-	30				12,5	14,2	0,0492	-	37				12,9	14,6	0,0523	-	57				13,8	15,5	0,0605	-	80				14,8	16,5	0,0697	-	105				15,9	18,9	0,0800	-	130			17	20	0,0902	10	155	17,4	20,4		0,0882	15	160	17,6	20,6	0,0900	35	180	18,4	21,4	0,0972	50	195	19,1	22,1	0,1026	60	205	19,5	22,5	0,1062	70	230	20,6	23,6	0,1152	80	280	22,8	25,8	0,1332	90	235	20,8	23,8	0,1170	110	255	21,7	24,7	0,1242	135	280	22																																																																																																																																																																																																																																																																																																																																																																																																																																																																																																																																																																																																																																																																																																																																																																																																																																																																																																																																																																																																																																																																																																																																																																																																																																																																																																																																					
225 x	180	235	27,1	30,1		0,1692	BFL	280	-		130		17,8	20,8		0,1012		BFL																																																																																																																																																																																																																																																																																																																																																																																																																																																																																																																																																																																																																																																																																																																																																																																																																																																																																																																																																																																																																																																																																																																																																																																																																																																																																																																																																																																																																																																																																																																																																																																																																																																													
	-	-	9,8	11,5		0,0246		-	-		10,3		12	0,0287		-			-		10,8			12,5		0,0338			-		5			11,4	13,1				0,0390	-		20	12,1				13,8	0,0451	-	30	12,5				14,2	0,0492	-	37	12,9				14,6	0,0523	-	57	13,8				15,5	0,0605	-	80	14,8				16,5	0,0697	-	105	15,9				18,9	0,0800	-	130	17				20	0,0902	10	155	17,4			20,4	0,0882	15	160	17,6	20,6	0,0900		35	180	18,4	21,4	0,0972	50	195	19,1	22,1	0,1026	60	205	19,5	22,5	0,1062	70	230	20,6	23,6	0,1152	80	280	22,8	25,8	0,1332	90	235	20,8	23,8	0,1170	110	255	21,7	24,7	0,1242	135	280	22,8	25,8	0,1332	225 x	180	235	27,1	30,1	0,1692	BFL	280	-	155	18,9	21,9	0,1127	BFL	-	-	9,8	11,5	0,0246		-	-	10,3	12		0,0287		-	-		10,8		12,5	0,0338		-			5		11,4			13,1		0,0390			-		20			12,1	13,8				0,0451	-		30	12,5				14,2	0,0492	-	37	12,9				14,6	0,0523	-	57	13,8				15,5	0,0605	-	80	14,8				16,5	0,0697	-	105	15,9				18,9	0,0800	-	130	17				20	0,0902	10	155	17,4			20,4	0,0882	15	160	17,6	20,6	0,0900		35	180	18,4	21,4	0,0972	50	195	19,1	22,1	0,1026	60	205	19,5	22,5	0,1062	70	230	20,6	23,6	0,1152	80	280	22,8	25,8	0,1332	90	235	20,8	23,8	0,1170	110	255	21,7	24,7	0,1242	135	280	22																																																																																																																																																																																																																																																																																																																																																																																																																																																																																																																																																																																																																																																																																																																																																																																																																																																																																																																																																																																																																																																																																																																																																																																																																																																																																																																																																											
	-	-	10,3	12		0,0287		-	-		10,8		12,5	0,0338		-			5		11,4			13,1		0,0390			-		20			12,1	13,8				0,0451	-		30	12,5				14,2	0,0492	-	37	12,9				14,6	0,0523	-	57	13,8				15,5	0,0605	-	80	14,8				16,5	0,0697	-	105	15,9				18,9	0,0800	-	130	17				20	0,0902	10	155	17,4			20,4	0,0882	15	160	17,6	20,6	0,0900		35	180	18,4	21,4	0,0972	50	195	19,1	22,1	0,1026	60	205	19,5	22,5	0,1062	70	230	20,6	23,6	0,1152	80	280	22,8	25,8	0,1332	90	235	20,8	23,8	0,1170	110	255	21,7	24,7	0,1242	135	280	22,8	25,8	0,1332	225 x	180	235	27,1	30,1	0,1692	BFL	280		-	155	18,9	21,9	0,1127		BFL	-	-	9,8	11,5	0,0246		-	-	10,3	12	0,0287		-	-	10,8	12,5		0,0338		-	5		11,4		13,1	0,0390		-			20		12,1			13,8		0,0451			-		30			12,5	14,2				0,0492	-		37	12,9				14,6	0,0523	-	57	13,8				15,5	0,0605	-	80	14,8				16,5	0,0697	-	105	15,9				18,9	0,0800	-	130	17				20	0,0902	10	155	17,4			20,4	0,0882	15	160	17,6	20,6	0,0900		35	180	18,4	21,4	0,0972	50	195	19,1	22,1	0,1026	60	205	19,5	22,5	0,1062	70	230	20,6	23,6	0,1152	80	280	22,8	25,8	0,1332	90	235	20,8	23,8	0,1170	110	255	21,7	24,7	0,1242	135	280	22																																																																																																																																																																																																																																																																																																																																																																																																																																																																																																																																																																																																																																																																																																																																																																																																																																																																																																																																																																																																																																																																																																																																																																																																																																																																																																																																																																			
	-	-	10,8	12,5		0,0338		-	5		11,4		13,1	0,0390		-			20		12,1			13,8		0,0451			-		30			12,5	14,2				0,0492	-		37	12,9				14,6	0,0523	-	57	13,8				15,5	0,0605	-	80	14,8				16,5	0,0697	-	105	15,9				18,9	0,0800	-	130	17				20	0,0902	10	155	17,4			20,4	0,0882	15	160	17,6	20,6	0,0900		35	180	18,4	21,4	0,0972	50	195	19,1	22,1	0,1026	60	205	19,5	22,5	0,1062	70	230	20,6	23,6	0,1152	80	280	22,8	25,8	0,1332	90	235	20,8	23,8	0,1170	110	255	21,7	24,7	0,1242	135	280	22,8	25,8	0,1332	225 x	180	235	27,1	30,1	0,1692	BFL	280		-	155	18,9	21,9	0,1127		BFL		-	-	9,8	11,5	0,0246			-	-	10,3	12	0,0287		-	-	10,8	12,5	0,0338		-	5	11,4	13,1		0,0390		-	20		12,1		13,8	0,0451		-			30		12,5			14,2		0,0492			-		37			12,9	14,6				0,0523	-		57	13,8				15,5	0,0605	-	80	14,8				16,5	0,0697	-	105	15,9				18,9	0,0800	-	130	17				20	0,0902	10	155	17,4			20,4	0,0882	15	160	17,6	20,6	0,0900		35	180	18,4	21,4	0,0972	50	195	19,1	22,1	0,1026	60	205	19,5	22,5	0,1062	70	230	20,6	23,6	0,1152	80	280	22,8	25,8	0,1332	90	235	20,8	23,8	0,1170	110	255	21,7	24,7	0,1242	135	280	22																																																																																																																																																																																																																																																																																																																																																																																																																																																																																																																																																																																																																																																																																																																																																																																																																																																																																																																																																																																																																																																																																																																																																																																																																																																																																																																																																																											
	-	5	11,4	13,1		0,0390		-	20		12,1		13,8	0,0451		-			30		12,5			14,2		0,0492			-		37			12,9	14,6				0,0523	-		57	13,8				15,5	0,0605	-	80	14,8				16,5	0,0697	-	105	15,9				18,9	0,0800	-	130	17				20	0,0902	10	155	17,4			20,4	0,0882	15	160	17,6	20,6	0,0900		35	180	18,4	21,4	0,0972	50	195	19,1	22,1	0,1026	60	205	19,5	22,5	0,1062	70	230	20,6	23,6	0,1152	80	280	22,8	25,8	0,1332	90	235	20,8	23,8	0,1170	110	255	21,7	24,7	0,1242	135	280	22,8	25,8	0,1332	225 x	180	235	27,1	30,1	0,1692	BFL	280		-	155	18,9	21,9	0,1127		BFL		-	-	9,8	11,5	0,0246				-	-	10,3	12	0,0287			-	-	10,8	12,5	0,0338		-	5	11,4	13,1	0,0390		-	20	12,1	13,8		0,0451		-	30		12,5		14,2	0,0492		-			37		12,9			14,6		0,0523			-		57			13,8	15,5				0,0605	-		80	14,8				16,5	0,0697	-	105	15,9				18,9	0,0800	-	130	17				20	0,0902	10	155	17,4			20,4	0,0882	15	160	17,6	20,6	0,0900		35	180	18,4	21,4	0,0972	50	195	19,1	22,1	0,1026	60	205	19,5	22,5	0,1062	70	230	20,6	23,6	0,1152	80	280	22,8	25,8	0,1332	90	235	20,8	23,8	0,1170	110	255	21,7	24,7	0,1242	135	280	22																																																																																																																																																																																																																																																																																																																																																																																																																																																																																																																																																																																																																																																																																																																																																																																																																																																																																																																																																																																																																																																																																																																																																																																																																																																																																																																																																																																			
	-	20	12,1	13,8		0,0451		-	30		12,5		14,2	0,0492		-			37		12,9			14,6		0,0523			-		57			13,8	15,5				0,0605	-		80	14,8				16,5	0,0697	-	105	15,9				18,9	0,0800	-	130	17				20	0,0902	10	155	17,4			20,4	0,0882	15	160	17,6	20,6	0,0900		35	180	18,4	21,4	0,0972	50	195	19,1	22,1	0,1026	60	205	19,5	22,5	0,1062	70	230	20,6	23,6	0,1152	80	280	22,8	25,8	0,1332	90	235	20,8	23,8	0,1170	110	255	21,7	24,7	0,1242	135	280	22,8	25,8	0,1332	225 x	180	235	27,1	30,1	0,1692	BFL	280		-	155	18,9	21,9	0,1127		BFL		-	-	9,8	11,5	0,0246				-	-	10,3	12	0,0287				-	-	10,8	12,5	0,0338			-	5	11,4	13,1	0,0390		-	20	12,1	13,8	0,0451		-	30	12,5	14,2		0,0492		-	37		12,9		14,6	0,0523		-			57		13,8			15,5		0,0605			-		80			14,8	16,5				0,0697	-		105	15,9				18,9	0,0800	-	130	17				20	0,0902	10	155	17,4			20,4	0,0882	15	160	17,6	20,6	0,0900		35	180	18,4	21,4	0,0972	50	195	19,1	22,1	0,1026	60	205	19,5	22,5	0,1062	70	230	20,6	23,6	0,1152	80	280	22,8	25,8	0,1332	90	235	20,8	23,8	0,1170	110	255	21,7	24,7	0,1242	135	280	22																																																																																																																																																																																																																																																																																																																																																																																																																																																																																																																																																																																																																																																																																																																																																																																																																																																																																																																																																																																																																																																																																																																																																																																																																																																																																																																																																																																											
	-	30	12,5	14,2		0,0492		-	37		12,9		14,6	0,0523		-			57		13,8			15,5		0,0605			-		80			14,8	16,5				0,0697	-		105	15,9				18,9	0,0800	-	130	17				20	0,0902	10	155	17,4			20,4	0,0882	15	160	17,6	20,6	0,0900		35	180	18,4	21,4	0,0972	50	195	19,1	22,1	0,1026	60	205	19,5	22,5	0,1062	70	230	20,6	23,6	0,1152	80	280	22,8	25,8	0,1332	90	235	20,8	23,8	0,1170	110	255	21,7	24,7	0,1242	135	280	22,8	25,8	0,1332	225 x	180	235	27,1	30,1	0,1692	BFL	280		-	155	18,9	21,9	0,1127		BFL		-	-	9,8	11,5	0,0246				-	-	10,3	12	0,0287				-	-	10,8	12,5	0,0338				-	5	11,4	13,1	0,0390			-	20	12,1	13,8	0,0451		-	30	12,5	14,2	0,0492		-	37	12,9	14,6		0,0523		-	57		13,8		15,5	0,0605		-			80		14,8			16,5		0,0697			-		105			15,9	18,9				0,0800	-		130	17				20	0,0902	10	155	17,4			20,4	0,0882	15	160	17,6	20,6	0,0900		35	180	18,4	21,4	0,0972	50	195	19,1	22,1	0,1026	60	205	19,5	22,5	0,1062	70	230	20,6	23,6	0,1152	80	280	22,8	25,8	0,1332	90	235	20,8	23,8	0,1170	110	255	21,7	24,7	0,1242	135	280	22																																																																																																																																																																																																																																																																																																																																																																																																																																																																																																																																																																																																																																																																																																																																																																																																																																																																																																																																																																																																																																																																																																																																																																																																																																																																																																																																																																																																			
	-	37	12,9	14,6		0,0523		-	57		13,8		15,5	0,0605		-			80		14,8			16,5		0,0697			-		105			15,9	18,9				0,0800	-		130	17				20	0,0902	10	155	17,4			20,4	0,0882	15	160	17,6	20,6	0,0900		35	180	18,4	21,4	0,0972	50	195	19,1	22,1	0,1026	60	205	19,5	22,5	0,1062	70	230	20,6	23,6	0,1152	80	280	22,8	25,8	0,1332	90	235	20,8	23,8	0,1170	110	255	21,7	24,7	0,1242	135	280	22,8	25,8	0,1332	225 x	180	235	27,1	30,1	0,1692	BFL	280		-	155	18,9	21,9	0,1127		BFL		-	-	9,8	11,5	0,0246				-	-	10,3	12	0,0287				-	-	10,8	12,5	0,0338				-	5	11,4	13,1	0,0390				-	20	12,1	13,8	0,0451			-	30	12,5	14,2	0,0492		-	37	12,9	14,6	0,0523		-	57	13,8	15,5		0,0605		-	80		14,8		16,5	0,0697		-			105		15,9			18,9		0,0800			-		130			17	20				0,0902	10		155	17,4			20,4	0,0882	15	160	17,6	20,6	0,0900		35	180	18,4	21,4	0,0972	50	195	19,1	22,1	0,1026	60	205	19,5	22,5	0,1062	70	230	20,6	23,6	0,1152	80	280	22,8	25,8	0,1332	90	235	20,8	23,8	0,1170	110	255	21,7	24,7	0,1242	135	280	22																																																																																																																																																																																																																																																																																																																																																																																																																																																																																																																																																																																																																																																																																																																																																																																																																																																																																																																																																																																																																																																																																																																																																																																																																																																																																																																																																																																																											
	-	57	13,8	15,5		0,0605		-	80		14,8		16,5	0,0697		-			105		15,9			18,9		0,0800			-		130			17	20				0,0902	10		155	17,4			20,4	0,0882	15	160	17,6	20,6	0,0900		35	180	18,4	21,4	0,0972	50	195	19,1	22,1	0,1026	60	205	19,5	22,5	0,1062	70	230	20,6	23,6	0,1152	80	280	22,8	25,8	0,1332	90	235	20,8	23,8	0,1170	110	255	21,7	24,7	0,1242	135	280	22,8	25,8	0,1332	225 x	180	235	27,1	30,1	0,1692	BFL	280		-	155	18,9	21,9	0,1127		BFL		-	-	9,8	11,5	0,0246				-	-	10,3	12	0,0287				-	-	10,8	12,5	0,0338				-	5	11,4	13,1	0,0390				-	20	12,1	13,8	0,0451				-	30	12,5	14,2	0,0492			-	37	12,9	14,6	0,0523		-	57	13,8	15,5	0,0605		-	80	14,8	16,5		0,0697		-	105		15,9		18,9	0,0800		-			130		17			20		0,0902			10		155			17,4	20,4			0,0882	15	160		17,6	20,6	0,0900		35	180	18,4	21,4	0,0972	50	195	19,1	22,1	0,1026	60	205	19,5	22,5	0,1062	70	230	20,6	23,6	0,1152	80	280	22,8	25,8	0,1332	90	235	20,8	23,8	0,1170	110	255	21,7	24,7	0,1242	135	280	22																																																																																																																																																																																																																																																																																																																																																																																																																																																																																																																																																																																																																																																																																																																																																																																																																																																																																																																																																																																																																																																																																																																																																																																																																																																																																																																																																																																																																			
	-	80	14,8	16,5		0,0697		-	105		15,9		18,9	0,0800		-			130		17			20		0,0902			10		155			17,4	20,4			0,0882	15	160		17,6	20,6	0,0900		35	180	18,4	21,4	0,0972	50	195	19,1	22,1	0,1026	60	205	19,5	22,5	0,1062	70	230	20,6	23,6	0,1152	80	280	22,8	25,8	0,1332	90	235	20,8	23,8	0,1170	110	255	21,7	24,7	0,1242	135	280	22,8	25,8	0,1332	225 x	180	235	27,1	30,1	0,1692	BFL	280		-	155	18,9	21,9	0,1127		BFL		-	-	9,8	11,5	0,0246				-	-	10,3	12	0,0287				-	-	10,8	12,5	0,0338				-	5	11,4	13,1	0,0390				-	20	12,1	13,8	0,0451				-	30	12,5	14,2	0,0492				-	37	12,9	14,6	0,0523			-	57	13,8	15,5	0,0605		-	80	14,8	16,5	0,0697		-	105	15,9	18,9		0,0800		-	130		17		20	0,0902		10			155		17,4			20,4		0,0882			15	160	17,6			20,6	0,0900	35		180	18,4	21,4		0,0972	50	195	19,1	22,1	0,1026	60	205	19,5	22,5	0,1062	70	230	20,6	23,6	0,1152	80	280	22,8	25,8	0,1332	90	235	20,8	23,8	0,1170	110	255	21,7	24,7	0,1242	135	280	22																																																																																																																																																																																																																																																																																																																																																																																																																																																																																																																																																																																																																																																																																																																																																																																																																																																																																																																																																																																																																																																																																																																																																																																																																																																																																																																																																																																																																											
	-	105	15,9	18,9		0,0800		-	130		17		20	0,0902		10			155		17,4			20,4		0,0882			15	160	17,6			20,6	0,0900	35		180	18,4	21,4		0,0972	50	195	19,1	22,1	0,1026	60	205	19,5	22,5	0,1062	70	230	20,6	23,6	0,1152	80	280	22,8	25,8	0,1332	90	235	20,8	23,8	0,1170	110	255	21,7	24,7	0,1242	135	280	22,8	25,8	0,1332	225 x	180	235	27,1	30,1	0,1692	BFL	280		-	155	18,9	21,9	0,1127		BFL		-	-	9,8	11,5	0,0246				-	-	10,3	12	0,0287				-	-	10,8	12,5	0,0338				-	5	11,4	13,1	0,0390				-	20	12,1	13,8	0,0451				-	30	12,5	14,2	0,0492				-	37	12,9	14,6	0,0523				-	57	13,8	15,5	0,0605			-	80	14,8	16,5	0,0697		-	105	15,9	18,9	0,0800		-	130	17	20		0,0902		10	155		17,4		20,4	0,0882		15			160		17,6			20,6	0,0900	35			180	18,4	21,4	0,0972		50	195	19,1		22,1	0,1026	60	205	19,5	22,5	0,1062	70	230	20,6	23,6	0,1152	80	280	22,8	25,8	0,1332	90	235	20,8	23,8	0,1170	110	255	21,7	24,7	0,1242	135	280	22																																																																																																																																																																																																																																																																																																																																																																																																																																																																																																																																																																																																																																																																																																																																																																																																																																																																																																																																																																																																																																																																																																																																																																																																																																																																																																																																																																																																																																			
	-	130	17	20		0,0902		10	155		17,4		20,4	0,0882		15			160		17,6			20,6	0,0900	35			180	18,4	21,4	0,0972		50	195	19,1		22,1	0,1026	60	205	19,5	22,5	0,1062	70	230	20,6	23,6	0,1152	80	280	22,8	25,8	0,1332	90	235	20,8	23,8	0,1170	110	255	21,7	24,7	0,1242	135	280	22,8	25,8	0,1332	225 x	180	235	27,1	30,1	0,1692	BFL	280		-	155	18,9	21,9	0,1127		BFL		-	-	9,8	11,5	0,0246				-	-	10,3	12	0,0287				-	-	10,8	12,5	0,0338				-	5	11,4	13,1	0,0390				-	20	12,1	13,8	0,0451				-	30	12,5	14,2	0,0492				-	37	12,9	14,6	0,0523				-	57	13,8	15,5	0,0605				-	80	14,8	16,5	0,0697			-	105	15,9	18,9	0,0800		-	130	17	20	0,0902		10	155	17,4	20,4		0,0882		15	160		17,6		20,6	0,0900		35			180	18,4	21,4			0,0972	50	195	19,1		22,1	0,1026	60	205		19,5	22,5	0,1062	70	230	20,6	23,6	0,1152	80	280	22,8	25,8	0,1332	90	235	20,8	23,8	0,1170	110	255	21,7	24,7	0,1242	135	280	22																																																																																																																																																																																																																																																																																																																																																																																																																																																																																																																																																																																																																																																																																																																																																																																																																																																																																																																																																																																																																																																																																																																																																																																																																																																																																																																																																																																																																																											
	10	155	17,4	20,4		0,0882		15	160		17,6		20,6	0,0900		35			180	18,4	21,4			0,0972	50	195	19,1		22,1	0,1026	60	205		19,5	22,5	0,1062	70	230	20,6	23,6	0,1152	80	280	22,8	25,8	0,1332	90	235	20,8	23,8	0,1170	110	255	21,7	24,7	0,1242	135	280	22,8	25,8	0,1332	225 x	180	235	27,1	30,1	0,1692	BFL	280		-	155	18,9	21,9	0,1127		BFL		-	-	9,8	11,5	0,0246				-	-	10,3	12	0,0287				-	-	10,8	12,5	0,0338				-	5	11,4	13,1	0,0390				-	20	12,1	13,8	0,0451				-	30	12,5	14,2	0,0492				-	37	12,9	14,6	0,0523				-	57	13,8	15,5	0,0605				-	80	14,8	16,5	0,0697				-	105	15,9	18,9	0,0800			-	130	17	20	0,0902		10	155	17,4	20,4	0,0882		15	160	17,6	20,6		0,0900		35	180		18,4		21,4	0,0972	50	195			19,1	22,1	0,1026	60		205	19,5	22,5	0,1062		70	230	20,6	23,6	0,1152	80	280	22,8	25,8	0,1332	90	235	20,8	23,8	0,1170	110	255	21,7	24,7	0,1242	135	280	22																																																																																																																																																																																																																																																																																																																																																																																																																																																																																																																																																																																																																																																																																																																																																																																																																																																																																																																																																																																																																																																																																																																																																																																																																																																																																																																																																																																																																																																			
	15	160	17,6	20,6		0,0900		35	180		18,4		21,4	0,0972	50	195			19,1	22,1	0,1026	60		205	19,5	22,5	0,1062		70	230	20,6	23,6	0,1152	80	280	22,8	25,8	0,1332	90	235	20,8	23,8	0,1170	110	255	21,7	24,7	0,1242	135	280	22,8	25,8	0,1332	225 x	180	235	27,1	30,1	0,1692	BFL	280		-	155	18,9	21,9	0,1127		BFL		-	-	9,8	11,5	0,0246				-	-	10,3	12	0,0287				-	-	10,8	12,5	0,0338				-	5	11,4	13,1	0,0390				-	20	12,1	13,8	0,0451				-	30	12,5	14,2	0,0492				-	37	12,9	14,6	0,0523				-	57	13,8	15,5	0,0605				-	80	14,8	16,5	0,0697				-	105	15,9	18,9	0,0800				-	130	17	20	0,0902			10	155	17,4	20,4	0,0882		15	160	17,6	20,6	0,0900		35	180	18,4	21,4		0,0972		50	195	19,1	22,1		0,1026	60	205	19,5	22,5		0,1062	70	230	20,6		23,6	0,1152	80	280	22,8	25,8	0,1332	90	235	20,8	23,8	0,1170	110	255	21,7	24,7	0,1242	135	280	22																																																																																																																																																																																																																																																																																																																																																																																																																																																																																																																																																																																																																																																																																																																																																																																																																																																																																																																																																																																																																																																																																																																																																																																																																																																																																																																																																																																																																																																											
	35	180	18,4	21,4		0,0972		50	195	19,1	22,1		0,1026	60	205	19,5	22,5		0,1062	70	230	20,6		23,6	0,1152	80	280	22,8	25,8	0,1332	90	235	20,8	23,8	0,1170	110	255	21,7	24,7	0,1242	135	280	22,8	25,8	0,1332	225 x	180	235	27,1	30,1	0,1692	BFL	280		-	155	18,9	21,9	0,1127		BFL		-	-	9,8	11,5	0,0246				-	-	10,3	12	0,0287				-	-	10,8	12,5	0,0338				-	5	11,4	13,1	0,0390				-	20	12,1	13,8	0,0451				-	30	12,5	14,2	0,0492				-	37	12,9	14,6	0,0523				-	57	13,8	15,5	0,0605				-	80	14,8	16,5	0,0697				-	105	15,9	18,9	0,0800				-	130	17	20	0,0902				10	155	17,4	20,4	0,0882			15	160	17,6	20,6	0,0900		35	180	18,4	21,4	0,0972		50	195	19,1	22,1	0,1026	60		205	19,5	22,5	0,1062	70	230	20,6	23,6	0,1152	80		280	22,8	25,8	0,1332	90	235	20,8	23,8	0,1170	110	255	21,7	24,7	0,1242	135	280	22																																																																																																																																																																																																																																																																																																																																																																																																																																																																																																																																																																																																																																																																																																																																																																																																																																																																																																																																																																																																																																																																																																																																																																																																																																																																																																																																																																																																																																																																			
	50	195	19,1	22,1	0,1026	60		205	19,5	22,5	0,1062	70	230	20,6	23,6	0,1152	80		280	22,8	25,8	0,1332	90	235	20,8	23,8	0,1170	110	255	21,7	24,7	0,1242	135	280	22,8	25,8	0,1332	225 x	180	235	27,1	30,1	0,1692	BFL	280		-	155	18,9	21,9	0,1127		BFL		-	-	9,8	11,5	0,0246				-	-	10,3	12	0,0287				-	-	10,8	12,5	0,0338				-	5	11,4	13,1	0,0390				-	20	12,1	13,8	0,0451				-	30	12,5	14,2	0,0492				-	37	12,9	14,6	0,0523				-	57	13,8	15,5	0,0605				-	80	14,8	16,5	0,0697				-	105	15,9	18,9	0,0800				-	130	17	20	0,0902				10	155	17,4	20,4	0,0882				15	160	17,6	20,6	0,0900			35	180	18,4	21,4	0,0972		50	195	19,1	22,1	0,1026	60	205	19,5	22,5	0,1062	70	230	20,6	23,6	0,1152	80	280	22,8	25,8	0,1332	90	235	20,8	23,8	0,1170	110	255	21,7	24,7	0,1242	135	280	22																																																																																																																																																																																																																																																																																																																																																																																																																																																																																																																																																																																																																																																																																																																																																																																																																																																																																																																																																																																																																																																																																																																																																																																																																																																																																																																																																																																																																																																																											
60	205	19,5	22,5	0,1062	70	230	20,6	23,6	0,1152	80	280	22,8	25,8	0,1332	90	235	20,8	23,8	0,1170	110	255	21,7	24,7	0,1242	135	280	22,8	25,8	0,1332	225 x	180	235	27,1	30,1	0,1692	BFL	280		-	155	18,9	21,9	0,1127		BFL		-	-	9,8	11,5	0,0246				-	-	10,3	12	0,0287				-	-	10,8	12,5	0,0338				-	5	11,4	13,1	0,0390				-	20	12,1	13,8	0,0451				-	30	12,5	14,2	0,0492				-	37	12,9	14,6	0,0523				-	57	13,8	15,5	0,0605				-	80	14,8	16,5	0,0697				-	105	15,9	18,9	0,0800				-	130	17	20	0,0902				10	155	17,4	20,4	0,0882				15	160	17,6	20,6	0,0900				35	180	18,4	21,4	0,0972			50	195	19,1	22,1	0,1026		60	205	19,5	22,5	0,1062	70	230	20,6	23,6	0,1152	80	280	22,8	25,8	0,1332	90	235	20,8	23,8	0,1170	110	255	21,7	24,7	0,1242	135	280	22																																																																																																																																																																																																																																																																																																																																																																																																																																																																																																																																																																																																																																																																																																																																																																																																																																																																																																																																																																																																																																																																																																																																																																																																																																																																																																																																																																																																																																																																																
70	230	20,6	23,6	0,1152	80	280	22,8	25,8	0,1332	90	235	20,8	23,8	0,1170	110	255	21,7	24,7	0,1242	135	280	22,8	25,8	0,1332	225 x	180	235	27,1	30,1		0,1692	BFL	280	-	155		18,9		21,9	0,1127	BFL	-	-				9,8	11,5	0,0246	-	-				10,3	12	0,0287	-	-				10,8	12,5	0,0338	-	5				11,4	13,1	0,0390	-	20				12,1	13,8	0,0451	-	30				12,5	14,2	0,0492	-	37				12,9	14,6	0,0523	-	57				13,8	15,5	0,0605	-	80				14,8	16,5	0,0697	-	105				15,9	18,9	0,0800	-	130				17	20	0,0902	10	155				17,4	20,4	0,0882	15	160				17,6	20,6	0,0900	35	180			18,4	21,4	0,0972	50	195	19,1	22,1		0,1026	60	205	19,5	22,5	0,1062	70	230	20,6	23,6	0,1152	80	280	22,8	25,8	0,1332	90	235	20,8	23,8	0,1170	110	255	21,7	24,7	0,1242	135	280	22																																																																																																																																																																																																																																																																																																																																																																																																																																																																																																																																																																																																																																																																																																																																																																																																																																																																																																																																																																																																																																																																																																																																																																																																																																																																																																																																																																																																																																																																																					
80	280	22,8	25,8	0,1332	90	235	20,8	23,8	0,1170	110	255	21,7	24,7	0,1242	135	280	22,8	25,8	0,1332	225 x	180	235	27,1	30,1		0,1692	BFL	280	-		155		18,9	21,9	0,1127		BFL		-	-		9,8	11,5				0,0246	-	-	10,3	12				0,0287	-	-	10,8	12,5				0,0338	-	5	11,4	13,1				0,0390	-	20	12,1	13,8				0,0451	-	30	12,5	14,2				0,0492	-	37	12,9	14,6				0,0523	-	57	13,8	15,5				0,0605	-	80	14,8	16,5				0,0697	-	105	15,9	18,9				0,0800	-	130	17	20				0,0902	10	155	17,4	20,4				0,0882	15	160	17,6	20,6			0,0900	35	180	18,4	21,4	0,0972	50		195	19,1	22,1	0,1026	60	205	19,5	22,5	0,1062	70	230	20,6	23,6	0,1152	80	280	22,8	25,8	0,1332	90	235	20,8	23,8	0,1170	110	255	21,7	24,7	0,1242	135	280	22																																																																																																																																																																																																																																																																																																																																																																																																																																																																																																																																																																																																																																																																																																																																																																																																																																																																																																																																																																																																																																																																																																																																																																																																																																																																																																																																																																																																																																																																																										
90	235	20,8	23,8	0,1170	110	255	21,7	24,7	0,1242	135	280	22,8	25,8	0,1332	225 x	180	235	27,1	30,1		0,1692	BFL	280	-		155		18,9	21,9		0,1127		BFL	-	-				9,8	11,5		0,0246	-				-	10,3	12	0,0287	-				-	10,8	12,5	0,0338	-				5	11,4	13,1	0,0390	-				20	12,1	13,8	0,0451	-				30	12,5	14,2	0,0492	-				37	12,9	14,6	0,0523	-				57	13,8	15,5	0,0605	-				80	14,8	16,5	0,0697	-				105	15,9	18,9	0,0800	-				130	17	20	0,0902	10				155	17,4	20,4	0,0882	15			160	17,6	20,6	0,0900	35	180	18,4		21,4	0,0972	50	195	19,1	22,1	0,1026	60	205	19,5	22,5	0,1062	70	230	20,6	23,6	0,1152	80	280	22,8	25,8	0,1332	90	235	20,8	23,8	0,1170	110	255	21,7	24,7	0,1242	135	280	22																																																																																																																																																																																																																																																																																																																																																																																																																																																																																																																																																																																																																																																																																																																																																																																																																																																																																																																																																																																																																																																																																																																																																																																																																																																																																																																																																																																																																																																																																															
110	255	21,7	24,7	0,1242	135	280	22,8	25,8	0,1332	225 x	180	235	27,1	30,1		0,1692	BFL	280	-		155		18,9	21,9		0,1127		BFL	-		-			9,8	11,5				0,0246	-		-	10,3				12	0,0287	-	-	10,8				12,5	0,0338	-	5	11,4				13,1	0,0390	-	20	12,1				13,8	0,0451	-	30	12,5				14,2	0,0492	-	37	12,9				14,6	0,0523	-	57	13,8				15,5	0,0605	-	80	14,8				16,5	0,0697	-	105	15,9				18,9	0,0800	-	130	17				20	0,0902	10	155	17,4			20,4	0,0882	15	160	17,6	20,6	0,0900		35	180	18,4	21,4	0,0972	50	195	19,1	22,1	0,1026	60	205	19,5	22,5	0,1062	70	230	20,6	23,6	0,1152	80	280	22,8	25,8	0,1332	90	235	20,8	23,8	0,1170	110	255	21,7	24,7	0,1242	135	280	22																																																																																																																																																																																																																																																																																																																																																																																																																																																																																																																																																																																																																																																																																																																																																																																																																																																																																																																																																																																																																																																																																																																																																																																																																																																																																																																																																																																																																																																																																																				
135	280	22,8	25,8	0,1332	225 x	180	235	27,1	30,1		0,1692	BFL	280	-		155		18,9	21,9		0,1127		BFL	-		-			9,8		11,5			0,0246	-				-	10,3		12	0,0287				-	-	10,8	12,5	0,0338				-	5	11,4	13,1	0,0390				-	20	12,1	13,8	0,0451				-	30	12,5	14,2	0,0492				-	37	12,9	14,6	0,0523				-	57	13,8	15,5	0,0605				-	80	14,8	16,5	0,0697				-	105	15,9	18,9	0,0800				-	130	17	20	0,0902			10	155	17,4	20,4	0,0882	15	160		17,6	20,6	0,0900	35	180	18,4	21,4	0,0972	50	195	19,1	22,1	0,1026	60	205	19,5	22,5	0,1062	70	230	20,6	23,6	0,1152	80	280	22,8	25,8	0,1332	90	235	20,8	23,8	0,1170	110	255	21,7	24,7	0,1242	135	280	22																																																																																																																																																																																																																																																																																																																																																																																																																																																																																																																																																																																																																																																																																																																																																																																																																																																																																																																																																																																																																																																																																																																																																																																																																																																																																																																																																																																																																																																																																																									
225 x	180	235	27,1	30,1		0,1692	BFL	280	-		155		18,9	21,9		0,1127		BFL																																																																																																																																																																																																																																																																																																																																																																																																																																																																																																																																																																																																																																																																																																																																																																																																																																																																																																																																																																																																																																																																																																																																																																																																																																																																																																																																																																																																																																																																																																																																																																																																																																																													
	-	-	9,8	11,5		0,0246		-	-		10,3		12	0,0287		-			-		10,8			12,5		0,0338			-		5			11,4	13,1				0,0390	-		20	12,1				13,8	0,0451	-	30	12,5				14,2	0,0492	-	37	12,9				14,6	0,0523	-	57	13,8				15,5	0,0605	-	80	14,8				16,5	0,0697	-	105	15,9				18,9	0,0800	-	130	17				20	0,0902	10	155	17,4			20,4	0,0882	15	160	17,6	20,6	0,0900		35	180	18,4	21,4	0,0972	50	195	19,1	22,1	0,1026	60	205	19,5	22,5	0,1062	70	230	20,6	23,6	0,1152	80	280	22,8	25,8	0,1332	90	235	20,8	23,8	0,1170	110	255	21,7	24,7	0,1242	135	280	22																																																																																																																																																																																																																																																																																																																																																																																																																																																																																																																																																																																																																																																																																																																																																																																																																																																																																																																																																																																																																																																																																																																																																																																																																																																																																																																																																																																																																																																																																																																												
	-	-	10,3	12		0,0287		-	-		10,8		12,5	0,0338		-			5		11,4			13,1		0,0390			-		20			12,1	13,8				0,0451	-		30	12,5				14,2	0,0492	-	37	12,9				14,6	0,0523	-	57	13,8				15,5	0,0605	-	80	14,8				16,5	0,0697	-	105	15,9				18,9	0,0800	-	130	17				20	0,0902	10	155	17,4			20,4	0,0882	15	160	17,6	20,6	0,0900		35	180	18,4	21,4	0,0972	50	195	19,1	22,1	0,1026	60	205	19,5	22,5	0,1062	70	230	20,6	23,6	0,1152	80	280	22,8	25,8	0,1332	90	235	20,8	23,8	0,1170	110	255	21,7	24,7	0,1242	135	280	22																																																																																																																																																																																																																																																																																																																																																																																																																																																																																																																																																																																																																																																																																																																																																																																																																																																																																																																																																																																																																																																																																																																																																																																																																																																																																																																																																																																																																																																																																																																																				
	-	-	10,8	12,5		0,0338		-	5		11,4		13,1	0,0390		-			20		12,1			13,8		0,0451			-		30			12,5	14,2				0,0492	-		37	12,9				14,6	0,0523	-	57	13,8				15,5	0,0605	-	80	14,8				16,5	0,0697	-	105	15,9				18,9	0,0800	-	130	17				20	0,0902	10	155	17,4			20,4	0,0882	15	160	17,6	20,6	0,0900		35	180	18,4	21,4	0,0972	50	195	19,1	22,1	0,1026	60	205	19,5	22,5	0,1062	70	230	20,6	23,6	0,1152	80	280	22,8	25,8	0,1332	90	235	20,8	23,8	0,1170	110	255	21,7	24,7	0,1242	135	280	22																																																																																																																																																																																																																																																																																																																																																																																																																																																																																																																																																																																																																																																																																																																																																																																																																																																																																																																																																																																																																																																																																																																																																																																																																																																																																																																																																																																																																																																																																																																																												
	-	5	11,4	13,1		0,0390		-	20		12,1		13,8	0,0451		-			30		12,5			14,2		0,0492			-		37			12,9	14,6				0,0523	-		57	13,8				15,5	0,0605	-	80	14,8				16,5	0,0697	-	105	15,9				18,9	0,0800	-	130	17				20	0,0902	10	155	17,4			20,4	0,0882	15	160	17,6	20,6	0,0900		35	180	18,4	21,4	0,0972	50	195	19,1	22,1	0,1026	60	205	19,5	22,5	0,1062	70	230	20,6	23,6	0,1152	80	280	22,8	25,8	0,1332	90	235	20,8	23,8	0,1170	110	255	21,7	24,7	0,1242	135	280	22																																																																																																																																																																																																																																																																																																																																																																																																																																																																																																																																																																																																																																																																																																																																																																																																																																																																																																																																																																																																																																																																																																																																																																																																																																																																																																																																																																																																																																																																																																																																																				
	-	20	12,1	13,8		0,0451		-	30		12,5		14,2	0,0492		-			37		12,9			14,6		0,0523			-		57			13,8	15,5				0,0605	-		80	14,8				16,5	0,0697	-	105	15,9				18,9	0,0800	-	130	17				20	0,0902	10	155	17,4			20,4	0,0882	15	160	17,6	20,6	0,0900		35	180	18,4	21,4	0,0972	50	195	19,1	22,1	0,1026	60	205	19,5	22,5	0,1062	70	230	20,6	23,6	0,1152	80	280	22,8	25,8	0,1332	90	235	20,8	23,8	0,1170	110	255	21,7	24,7	0,1242	135	280	22																																																																																																																																																																																																																																																																																																																																																																																																																																																																																																																																																																																																																																																																																																																																																																																																																																																																																																																																																																																																																																																																																																																																																																																																																																																																																																																																																																																																																																																																																																																																																												
	-	30	12,5	14,2		0,0492		-	37		12,9		14,6	0,0523		-			57		13,8			15,5		0,0605			-		80			14,8	16,5				0,0697	-		105	15,9				18,9	0,0800	-	130	17				20	0,0902	10	155	17,4			20,4	0,0882	15	160	17,6	20,6	0,0900		35	180	18,4	21,4	0,0972	50	195	19,1	22,1	0,1026	60	205	19,5	22,5	0,1062	70	230	20,6	23,6	0,1152	80	280	22,8	25,8	0,1332	90	235	20,8	23,8	0,1170	110	255	21,7	24,7	0,1242	135	280	22																																																																																																																																																																																																																																																																																																																																																																																																																																																																																																																																																																																																																																																																																																																																																																																																																																																																																																																																																																																																																																																																																																																																																																																																																																																																																																																																																																																																																																																																																																																																																																				
	-	37	12,9	14,6		0,0523		-	57		13,8		15,5	0,0605		-			80		14,8			16,5		0,0697			-		105			15,9	18,9				0,0800	-		130	17				20	0,0902	10	155	17,4			20,4	0,0882	15	160	17,6	20,6	0,0900		35	180	18,4	21,4	0,0972	50	195	19,1	22,1	0,1026	60	205	19,5	22,5	0,1062	70	230	20,6	23,6	0,1152	80	280	22,8	25,8	0,1332	90	235	20,8	23,8	0,1170	110	255	21,7	24,7	0,1242	135	280	22																																																																																																																																																																																																																																																																																																																																																																																																																																																																																																																																																																																																																																																																																																																																																																																																																																																																																																																																																																																																																																																																																																																																																																																																																																																																																																																																																																																																																																																																																																																																																																												
	-	57	13,8	15,5		0,0605		-	80		14,8		16,5	0,0697		-			105		15,9			18,9		0,0800			-		130			17	20				0,0902	10		155	17,4			20,4	0,0882	15	160	17,6	20,6	0,0900		35	180	18,4	21,4	0,0972	50	195	19,1	22,1	0,1026	60	205	19,5	22,5	0,1062	70	230	20,6	23,6	0,1152	80	280	22,8	25,8	0,1332	90	235	20,8	23,8	0,1170	110	255	21,7	24,7	0,1242	135	280	22																																																																																																																																																																																																																																																																																																																																																																																																																																																																																																																																																																																																																																																																																																																																																																																																																																																																																																																																																																																																																																																																																																																																																																																																																																																																																																																																																																																																																																																																																																																																																																																				
	-	80	14,8	16,5		0,0697		-	105		15,9		18,9	0,0800		-			130		17			20		0,0902			10		155			17,4	20,4			0,0882	15	160		17,6	20,6	0,0900		35	180	18,4	21,4	0,0972	50	195	19,1	22,1	0,1026	60	205	19,5	22,5	0,1062	70	230	20,6	23,6	0,1152	80	280	22,8	25,8	0,1332	90	235	20,8	23,8	0,1170	110	255	21,7	24,7	0,1242	135	280	22																																																																																																																																																																																																																																																																																																																																																																																																																																																																																																																																																																																																																																																																																																																																																																																																																																																																																																																																																																																																																																																																																																																																																																																																																																																																																																																																																																																																																																																																																																																																																																																												
	-	105	15,9	18,9		0,0800		-	130		17		20	0,0902		10			155		17,4			20,4		0,0882			15	160	17,6			20,6	0,0900	35		180	18,4	21,4		0,0972	50	195	19,1	22,1	0,1026	60	205	19,5	22,5	0,1062	70	230	20,6	23,6	0,1152	80	280	22,8	25,8	0,1332	90	235	20,8	23,8	0,1170	110	255	21,7	24,7	0,1242	135	280	22																																																																																																																																																																																																																																																																																																																																																																																																																																																																																																																																																																																																																																																																																																																																																																																																																																																																																																																																																																																																																																																																																																																																																																																																																																																																																																																																																																																																																																																																																																																																																																																																				
	-	130	17	20		0,0902		10	155		17,4		20,4	0,0882		15			160		17,6			20,6	0,0900	35			180	18,4	21,4	0,0972		50	195	19,1		22,1	0,1026	60	205	19,5	22,5	0,1062	70	230	20,6	23,6	0,1152	80	280	22,8	25,8	0,1332	90	235	20,8	23,8	0,1170	110	255	21,7	24,7	0,1242	135	280	22																																																																																																																																																																																																																																																																																																																																																																																																																																																																																																																																																																																																																																																																																																																																																																																																																																																																																																																																																																																																																																																																																																																																																																																																																																																																																																																																																																																																																																																																																																																																																																																																												
	10	155	17,4	20,4		0,0882		15	160		17,6		20,6	0,0900		35			180	18,4	21,4			0,0972	50	195	19,1		22,1	0,1026	60	205		19,5	22,5	0,1062	70	230	20,6	23,6	0,1152	80	280	22,8	25,8	0,1332	90	235	20,8	23,8	0,1170	110	255	21,7	24,7	0,1242	135	280	22																																																																																																																																																																																																																																																																																																																																																																																																																																																																																																																																																																																																																																																																																																																																																																																																																																																																																																																																																																																																																																																																																																																																																																																																																																																																																																																																																																																																																																																																																																																																																																																																																				
	15	160	17,6	20,6		0,0900		35	180		18,4		21,4	0,0972	50	195			19,1	22,1	0,1026	60		205	19,5	22,5	0,1062		70	230	20,6	23,6	0,1152	80	280	22,8	25,8	0,1332	90	235	20,8	23,8	0,1170	110	255	21,7	24,7	0,1242	135	280	22																																																																																																																																																																																																																																																																																																																																																																																																																																																																																																																																																																																																																																																																																																																																																																																																																																																																																																																																																																																																																																																																																																																																																																																																																																																																																																																																																																																																																																																																																																																																																																																																																												
	35	180	18,4	21,4		0,0972		50	195	19,1	22,1		0,1026	60	205	19,5	22,5		0,1062	70	230	20,6		23,6	0,1152	80	280	22,8	25,8	0,1332	90	235	20,8	23,8	0,1170	110	255	21,7	24,7	0,1242	135	280	22																																																																																																																																																																																																																																																																																																																																																																																																																																																																																																																																																																																																																																																																																																																																																																																																																																																																																																																																																																																																																																																																																																																																																																																																																																																																																																																																																																																																																																																																																																																																																																																																																																				
	50	195	19,1	22,1	0,1026	60		205	19,5	22,5	0,1062	70	230	20,6	23,6	0,1152	80		280	22,8	25,8	0,1332	90	235	20,8	23,8	0,1170	110	255	21,7	24,7	0,1242	135	280	22																																																																																																																																																																																																																																																																																																																																																																																																																																																																																																																																																																																																																																																																																																																																																																																																																																																																																																																																																																																																																																																																																																																																																																																																																																																																																																																																																																																																																																																																																																																																																																																																																																												
60	205	19,5	22,5	0,1062	70	230	20,6	23,6	0,1152	80	280	22,8	25,8	0,1332	90	235	20,8	23,8	0,1170	110	255	21,7	24,7	0,1242	135	280	22																																																																																																																																																																																																																																																																																																																																																																																																																																																																																																																																																																																																																																																																																																																																																																																																																																																																																																																																																																																																																																																																																																																																																																																																																																																																																																																																																																																																																																																																																																																																																																																																																																																				
70	230	20,6	23,6	0,1152	80	280	22,8	25,8	0,1332	90	235	20,8	23,8	0,1170	110	255	21,7	24,7	0,1242	135	280	22																																																																																																																																																																																																																																																																																																																																																																																																																																																																																																																																																																																																																																																																																																																																																																																																																																																																																																																																																																																																																																																																																																																																																																																																																																																																																																																																																																																																																																																																																																																																																																																																																																																									
80	280	22,8	25,8	0,1332	90	235	20,8	23,8	0,1170	110	255	21,7	24,7	0,1242	135	280	22																																																																																																																																																																																																																																																																																																																																																																																																																																																																																																																																																																																																																																																																																																																																																																																																																																																																																																																																																																																																																																																																																																																																																																																																																																																																																																																																																																																																																																																																																																																																																																																																																																																														
90	235	20,8	23,8	0,1170	110	255	21,7	24,7	0,1242	135	280	22																																																																																																																																																																																																																																																																																																																																																																																																																																																																																																																																																																																																																																																																																																																																																																																																																																																																																																																																																																																																																																																																																																																																																																																																																																																																																																																																																																																																																																																																																																																																																																																																																																																																			
110	255	21,7	24,7	0,1242	135	280	22																																																																																																																																																																																																																																																																																																																																																																																																																																																																																																																																																																																																																																																																																																																																																																																																																																																																																																																																																																																																																																																																																																																																																																																																																																																																																																																																																																																																																																																																																																																																																																																																																																																																								
135	280	22																																																																																																																																																																																																																																																																																																																																																																																																																																																																																																																																																																																																																																																																																																																																																																																																																																																																																																																																																																																																																																																																																																																																																																																																																																																																																																																																																																																																																																																																																																																																																																																																																																																																													

A x B [mm]	Damper blade overlaps		Weight		Free area S _f [m ²]	Spring return actuator	A x B [mm]	Damper blade overlaps		Weight		Free area S _f [m ²]	Spring return actuator	
	a [mm]	c [mm]	Man. [kg]	Actu. [kg]*				a [mm]	c [mm]	Man. [kg]	Actu. [kg]*			
280 x	900	185	330	28,5	31,5	0,2184	BF	450	-	105	19,6	22,6	0,1307	BFL
	1000	235	380	30,9	33,9	0,2444		500	-	130	20,9	23,9	0,1474	
	180	-	-	11,2	12,9	0,0336		550	10	155	22,3	25,3	0,1642	
	200	-	-	11,7	13,4	0,0392		560	15	160	22,6	25,6	0,1675	
	225	-	-	12,3	14	0,0462		600	35	180	23,6	26,6	0,1809	
	250	-	5	13	14,7	0,0532		630	50	195	24,5	27,5	0,1910	BFN
	280	-	20	13,7	15,4	0,0616		650	60	205	25	28	0,1977	
	300	-	30	14,2	15,9	0,0672		700	85	230	26,4	29,4	0,2144	
	315	-	37	14,6	16,3	0,0714		710	90	235	26,6	29,6	0,2178	
	355	-	57	15,6	17,3	0,0826		750	110	255	27,7	30,7	0,2312	
300 x	400	-	80	16,8	18,5	0,0952	800	135	280	29,1	32,1	0,2479		
	450	-	105	18	21	0,1092	900	185	330	31,8	34,8	0,2814	BF	
	500	-	130	19,3	22,3	0,1232	1000	235	380	34,5	37,5	0,3149		
	550	10	155	20,5	23,5	0,1372	180	-	-	13	14,7	0,0456		
	560	15	160	20,8	23,8	0,1400	200	-	-	13,6	15,3	0,0532		
	600	35	180	21,8	24,8	0,1512	225	-	-	14,3	16	0,0627		
	630	50	195	22,6	25,6	0,1596	250	-	5	15,1	16,8	0,0722		
	650	60	205	23,1	26,1	0,1652	280	-	20	15,9	17,6	0,0836	BFL	
	700	85	230	24,3	27,3	0,1792	300	-	30	16,5	18,2	0,0912		
	710	90	235	24,6	27,6	0,1820	315	-	37	16,9	18,6	0,0969		
315 x	750	110	255	25,6	28,6	0,1932	355	-	57	18,1	19,8	0,1121		
	800	135	280	26,8	29,8	0,2072	400	-	80	19,4	21,1	0,1292		
	900	185	330	29,4	32,4	0,2352	450	-	105	20,8	23,8	0,1482		
	1000	235	380	31,9	34,9	0,2632	500	-	130	22,3	25,3	0,1672		
	180	-	-	11,5	13,2	0,0354	550	10	155	23,7	26,7	0,1862		
	200	-	-	12	13,7	0,0413	560	15	160	24	27	0,1900		
	225	-	-	12,6	14,3	0,0487	600	35	180	25,1	28,1	0,2052	BFN	
	250	-	5	13,3	15	0,0561	630	50	195	26	29	0,2166		
	280	-	20	14,1	15,8	0,0649	650	60	205	26,6	29,6	0,2242		
	300	-	30	14,6	16,3	0,0708	700	85	230	28	31	0,2432		
355 x	315	-	37	15	16,7	0,0752	710	90	235	28,3	31,3	0,2470		
	355	-	57	16	17,7	0,0870	750	110	255	29,5	32,5	0,2622		
	400	-	80	17,1	18,8	0,1003	800	135	280	30,9	33,9	0,2812	BF	
	450	-	105	18,4	21,4	0,1151	900	185	330	33,8	36,8	0,3192		
	500	-	130	19,7	22,7	0,1298	1000	235	380	36,7	39,7	0,3572		
	550	10	155	21	24	0,1446	180	-	-	14	15,7	0,0516		
	560	15	160	21,3	24,3	0,1475	200	-	-	14,6	16,3	0,0602		
	600	35	180	22,3	25,3	0,1593	225	-	-	15,3	17	0,0710		
	630	50	195	23,1	26,1	0,1682	250	-	5	16,1	17,8	0,0817		
	650	60	205	23,6	26,6	0,1741	280	-	20	17	18,7	0,0946	BFL	
355 x	700	85	230	24,9	27,9	0,1888	300	-	30	17,6	19,3	0,1032		
	710	90	235	25,1	28,1	0,1918	315	-	37	18,1	19,8	0,1097		
	750	110	255	26,2	29,2	0,2036	355	-	57	19,3	21	0,1269		
	800	135	280	27,5	30,5	0,2183	400	-	80	20,7	22,4	0,1462		
	900	185	330	30	33	0,2478	450	-	105	22,2	25,2	0,1677		
	1000	235	380	32,6	35,6	0,2773	500	-	130	23,8	26,8	0,1892		
	180	-	-	12,2	13,9	0,0402	550	10	155	25,3	28,3	0,2107		
	200	-	-	12,8	14,5	0,0469	560	15	160	25,6	28,6	0,2150	BFN	
	225	-	-	13,4	15,1	0,0553	600	35	180	26,8	29,8	0,2322		
	250	-	5	14,1	15,8	0,0737	630	50	195	27,7	30,7	0,2451		
355 x	280	-	20	14,9	16,6	0,0637	650	60	205	28,4	31,4	0,2537		
	300	-	30	15,5	17,2	0,0804	700	85	230	29,9	32,9	0,2752		
	315	-	37	15,9	17,6	0,0854	710	90	235	30,2	33,2	0,2795	BF	
	355	-	57	17	18,7	0,0988	750	110	255	31,4	34,4	0,2967		
	400	-	80	18,2	19,9	0,1139	800	135	280	33	36	0,3182		

Sizes in increments of 5 mm can be manufactured on request.

* For designs with BKN a weight of 0.5 kg must be added.

A x B [mm]	Damper blade overlaps		Weight		Free area S _f [m ²]	Spring return actuator	A x B [mm]	Damper blade overlaps		Weight		Free area S _f [m ²]	Spring return actuator																																																																																																																																																																																																																																																																																																																																																																																																																																																																																																																																																																																																																																																																																																																																																																																																																																																																																																																																																																																																																																																																																																																																																																																																																																																																																																																																																																																																																																																																				
	a [mm]	c [mm]	Man. [kg]	Actu. [kg]*				a [mm]	c [mm]	Man. [kg]	Actu. [kg]*																																																																																																																																																																																																																																																																																																																																																																																																																																																																																																																																																																																																																																																																																																																																																																																																																																																																																																																																																																																																																																																																																																																																																																																																																																																																																																																																																																																																																																																																						
450 x	900	185	330	36	39	0,3612	BF	450	-	105	25,3	28,3	0,2106	BFN																																																																																																																																																																																																																																																																																																																																																																																																																																																																																																																																																																																																																																																																																																																																																																																																																																																																																																																																																																																																																																																																																																																																																																																																																																																																																																																																																																																																																																																																			
	1000	235	380	39,1	42,1	0,4042		180	-	-	14,9	16,6	0,0576		200	-	-	15,5	17,2	0,0672	225	-	-	16,3	18	0,0792	250	-	5	17,1	18,8	0,0912	280	-	20	18,1	19,8	0,1056	300	-	30	18,8	20,5	0,1152	315	-	37	19,3	21	0,1224	355	-	57	20,6	22,3	0,1416	500 x	400	-	80	22	23,7	0,1632	BFL	560 x	630	50	195	31,6	34,6	0,3078	BF	450	-	105	23,6	26,6	0,1872	500	-	130	25,3	28,3	0,2112	550	10	155	26,9	29,9	0,2352	560	15	160	27,2	30,2	0,2400	600	35	180	28,5	31,5	0,2592	630	50	195	29,5	32,5	0,2736	650	60	205	30,1	33,1	0,2832	700	85	230	31,7	34,7	0,3072	710	90	235	32,1	35,1	0,3120	550 x	750	110	255	33,4	36,4	0,3312	BF	800	135	280	35,7	38,7	0,3726	BFN	800	135	280	35	38	0,3552	900	185	330	38,2	41,2	0,4032	1000	235	380	41,5	44,5	0,4512	180	-	-	15,8	17,5	0,0636	200	-	-	16,5	18,2	0,0742	225	-	-	17,3	19	0,0875	250	-	5	18,2	19,9	0,1007	280	-	20	19,2	20,9	0,1166	300	-	30	19,9	21,6	0,1272	560 x	315	-	37	20,4	22,1	0,1352	BFL	900	185	330	40,9	43,9	0,4536	BFN	355	-	57	21,8	23,5	0,1564	400	-	80	23,3	25	0,1802	450	-	105	25	28	0,2067	500	-	130	26,8	29,8	0,2332	550	10	155	28,5	31,5	0,2597	560	15	160	28,8	31,8	0,2650	600	35	180	30,2	33,2	0,2862	630	50	195	31,2	34,2	0,3021	650	60	205	31,9	34,9	0,3127	550 x	700	85	230	33,6	36,6	0,3392	BF	1000	235	380	44,4	47,4	0,5076	BFN	710	90	235	33,9	36,9	0,3445	750	110	255	35,3	38,3	0,3657	800	135	280	37	40	0,3922	900	185	330	40,4	43,4	0,4452	1000	235	380	43,9	46,9	0,4982	180	-	-	16	17,7	0,0648	200	-	-	16,7	18,4	0,0756	225	-	-	17,5	19,2	0,0891	250	-	5	18,4	20,1	0,1026	560 x	280	-	20	19,4	21,1	0,1188	BFL	560 x	630	50	195	32,9	35,9	0,3306	BF	300	-	30	20,1	21,8	0,1296	315	-	37	20,7	22,4	0,1377	355	-	57	22	23,7	0,1593	400	-	80	23,6	25,3	0,1836	450	-	105	25,3	28,3	0,2112	550 x	500	-	130	26,8	29,8	0,2332	BFN	600	35	180	28,3	31,3	0,2552	BFN	550	10	155	28,5	31,5	0,2597	560	15	160	28,8	31,8	0,2650	600	35	180	30,2	33,2	0,2862	630	50	195	31,2	34,2	0,3021	650	60	205	31,9	34,9	0,3127	700	85	230	33,6	36,6	0,3392	710	90	235	33,9	36,9	0,3445	750	110	255	35,3	38,3	0,3657	800	135	280	37	40	0,3922	560 x	900	185	330	40,4	43,4	0,4452	BFN	600 x	630	50	195	32,9	35,9	0,3306	BF	1000	235	380	43,9	46,9	0,4982	180	-	-	16	17,7	0,0648	200	-	-	16,7	18,4	0,0756	225	-	-	17,5	19,2	0,0891	250	-	5	18,4	20,1	0,1026	280	-	20	19,4	21,1	0,1188	300	-	30	20,1	21,8	0,1296	315	-	37	20,7	22,4	0,1377	355	-	57	22	23,7	0,1593	400	-	80	23,6	25,3	0,1836	560 x	450	-	105	25,3	28,3	0,2112	BFN	630 x	630	50	195	34	37	0,3477	BF	500	-	130	26,8	29,8	0,2332	550	10	155	28,5	31,5	0,2597	560	15	160	28,8	31,8	0,2650	600	35	180	30,2	33,2	0,2862	630	50	195	31,2	34,2	0,3021	650	60	205	31,9	34,9	0,3127	700	85	230	33,6	36,6	0,3392	710	90	235	33,9	36,9	0,3445	750	110	255	35,3	38,3	0,3657	800	135	280	37	40	0,3922	560 x	900	185	330	40,4	43,4	0,4452	BFN	800	135	280	39,1	42,1	0,4292	BFN	1000	235	380	43,9	46,9	0,4982	180	-	-	16	17,7	0,0648	200	-	-	16,7	18,4	0,0756	225	-	-	17,5	19,2	0,0891	250	-	5	18,4	20,1	0,1026	280	-	20	19,4	21,1	0,1188	300	-	30	20,1	21,8	0,1296	315	-	37	20,7	22,4	0,1377	355	-	57	22	23,7	0,1593	400	-	80	23,6	25,3	0,1836	560 x	450	-	105	25,3	28,3	0,2112	BFN	900	185	330	42,7	45,7	0,4872	BFN	500	-	130	26,8	29,8	0,2332	550	10	155	28,5	31,5	0,2597	560	15	160	28,8	31,8	0,2650	600	35	180	30,2	33,2	0,2862	630	50	195	31,2	34,2	0,3021	650	60	205	31,9	34,9	0,3127	700	85	230	33,6	36,6	0,3392	710	90	235	33,9	36,9	0,3445	750	110	255	35,3	38,3	0,3657	800	135	280	37	40	0,3922	560 x	900	185	330	40,4	43,4	0,4452	BFN	1000	235	380	46,3	49,3	0,5452	BFN	1000	235	380	41,5	44,5	0,4512	180	-	-	15,8	17,5	0,0636	200	-	-	16,5	18,2	0,0742	225	-	-	17,3	19	0,0875	250	-	5	18,2	19,9	0,1007	280	-	20	19,2	20,9	0,1166	300	-	30	19,9	21,6	0,1272	315	-	37	20,4	22,1	0,1352	355	-	57	21,8	23,5	0,1564	400	-	80	23,3	25	0,1802	560 x	450	-	105	25,3	28,3	0,2112	BFN	600 x	630	50	195	35,5	38,5	0,3712	BF	500	-	130	26,8	29,8	0,2332	550	10	155	28,5	31,5	0,2597	560	15	160	28,8	31,8	0,2650	600	35	180	30,2	33,2	0,2862	630	50	195	31,2	34,2	0,3021	650	60	205	31,9	34,9	0,3127	700	85	230	33,6	36,6	0,3392	710	90	235	33,9	36,9	0,3445	750	110	255	35,3	38,3	0,3657	800	135	280	37	40	0,3922	560 x	900	185	330	40,4	43,4	0,4452	BFN	600 x	630	50	195	37,7	40,7	0,4002	BF	1000	235	380	43,9	46,9	0,4982	180	-	-	15,8	17,5	0,0636	200	-	-	16,5	18,2	0,0742	225	-	-	17,3	19	0,0875	250	-	5	18,2	19,9	0,1007	280	-	20	19,2	20,9	0,1166	300	-	30	19,9	21,6	0,1272	315	-	37	20,4	22,1	0,1352	355	-	57	21,8	23,5	0,1564	400	-	80	23,3	25	0,1802	560 x	450	-	105	25,3	28,3	0,2112	BFN	630 x	630	50	195	39,1	42,1	0,4292	BFN	500	-	130	26,8	29,8	0,2332	550	10	155	28,5	31,5	0,2597	560	15	160	28,8	31,8	0,2650	600	35	180	30,2	33,2	0,2862	630	50	195	31,2	34,2	0,3021	650	60	205	31,9	34,9	0,3127	700	85	230	33,6	36,6	0,3392	710	90	235	33,9	36,9	0,3445	750	110	255	35,3	38,3	0,3657	800	135	280	37	40	0,3922	560 x	900	185	330	40,4	43,4	0,4452	BFN	800	135	280	40,3	43,3	0,4514	BFN	1000	235	380	43,9	46,9	0,4982	180	-	-	16	17,7	0,0648	200	-	-	16,7	18,4	0,0756	225	-	-	17,5	19,2	0,0891	250	-	5	18,4	20,1	0,1026	280	-	20	19,4	21,1	0,1188	300	-	30	20,1	21,8	0,1296	315	-	37	20,7	22,4	0,1377	355	-	57	22	23,7	0,1593	400	-	80	23,6	25,3	0,1836																																																																																																																																																																																																																																																																																																									
	180	-	-	14,9	16,6	0,0576		200	-	-	15,5	17,2	0,0672		225	-	-	16,3	18	0,0792	250	-	5	17,1	18,8	0,0912	280	-	20	18,1	19,8	0,1056	300	-	30	18,8	20,5	0,1152	315	-	37	19,3	21	0,1224	355	-	57	20,6	22,3	0,1416	500 x	400	-	80	22	23,7		0,1632	BFL	560 x	630	50	195		31,6	34,6	0,3078	BF	450	-	105		23,6	26,6	0,1872	500	-	130	25,3	28,3	0,2112	550	10	155	26,9	29,9	0,2352	560	15	160	27,2	30,2	0,2400	600	35	180	28,5	31,5	0,2592	630	50	195	29,5	32,5	0,2736	650	60	205	30,1	33,1	0,2832	700	85	230	31,7	34,7	0,3072	710	90	235	32,1	35,1	0,3120	550 x	750	110		255	33,4	36,4	0,3312	BF	800		135	280	35,7	38,7	0,3726	BFN		800	135	280	35	38	0,3552	900	185	330	38,2	41,2	0,4032	1000	235	380	41,5	44,5	0,4512	180	-	-	15,8	17,5	0,0636	200	-	-	16,5	18,2	0,0742	225	-	-	17,3	19	0,0875	250	-	5	18,2	19,9	0,1007	280	-	20	19,2	20,9	0,1166	300	-	30	19,9	21,6	0,1272		560 x	315	-	37	20,4	22,1		0,1352	BFL	900	185	330	40,9		43,9	0,4536	BFN	355	-	57	21,8	23,5	0,1564	400	-	80	23,3	25	0,1802	450	-	105	25	28	0,2067	500	-	130	26,8	29,8	0,2332	550	10	155	28,5	31,5	0,2597	560	15	160	28,8	31,8	0,2650	600	35	180	30,2	33,2	0,2862	630	50	195	31,2	34,2	0,3021	650	60	205		31,9	34,9	0,3127	550 x	700	85		230	33,6	36,6	0,3392	BF	1000		235	380	44,4	47,4	0,5076	BFN	710	90	235	33,9	36,9	0,3445	750	110	255	35,3	38,3	0,3657	800	135	280	37	40	0,3922	900	185	330	40,4	43,4	0,4452	1000	235	380	43,9	46,9	0,4982	180	-	-	16	17,7	0,0648	200	-	-	16,7	18,4	0,0756	225	-	-	17,5	19,2	0,0891		250	-	5	18,4	20,1	0,1026		560 x	280	-	20	19,4	21,1	0,1188		BFL	560 x	630	50	195	32,9	35,9	0,3306	BF	300	-	30	20,1	21,8	0,1296	315	-	37	20,7	22,4	0,1377	355	-	57	22	23,7	0,1593	400	-	80		23,6	25,3	0,1836	450	-	105		25,3	28,3	0,2112	550 x	500	-		130	26,8	29,8	0,2332	BFN	600	35	180	28,3	31,3	0,2552	BFN	550	10	155	28,5	31,5	0,2597	560	15	160	28,8	31,8	0,2650	600	35	180	30,2	33,2	0,2862	630	50	195	31,2	34,2	0,3021	650	60	205	31,9	34,9	0,3127	700	85	230	33,6	36,6	0,3392	710	90	235	33,9	36,9	0,3445		750	110	255	35,3	38,3	0,3657		800	135	280	37	40	0,3922	560 x		900	185	330	40,4	43,4	0,4452	BFN	600 x	630	50	195	32,9	35,9	0,3306	BF	1000	235	380	43,9	46,9	0,4982	180	-	-	16	17,7	0,0648	200	-	-	16,7	18,4	0,0756	225	-	-	17,5	19,2	0,0891	250	-	5	18,4	20,1	0,1026	280	-	20	19,4	21,1	0,1188	300	-	30	20,1	21,8	0,1296	315	-	37		20,7	22,4	0,1377	355	-	57		22	23,7	0,1593	400	-	80	23,6		25,3	0,1836	560 x	450	-	105	25,3	28,3	0,2112	BFN	630 x	630	50	195	34	37	0,3477	BF	500	-	130	26,8	29,8	0,2332	550	10	155	28,5	31,5	0,2597	560	15	160	28,8	31,8	0,2650	600	35	180	30,2	33,2	0,2862	630	50	195	31,2	34,2	0,3021	650	60	205	31,9	34,9	0,3127	700	85	230	33,6	36,6	0,3392		710	90	235	33,9	36,9	0,3445		750	110	255	35,3	38,3	0,3657		800	135	280	37	40	0,3922	560 x	900	185	330	40,4	43,4	0,4452	BFN	800	135	280	39,1	42,1	0,4292	BFN	1000	235	380	43,9	46,9	0,4982	180	-	-	16	17,7	0,0648	200	-	-	16,7	18,4	0,0756	225	-	-	17,5	19,2	0,0891	250	-	5	18,4	20,1	0,1026	280	-	20	19,4	21,1	0,1188	300	-	30		20,1	21,8	0,1296	315	-	37		20,7	22,4	0,1377	355	-	57		22	23,7	0,1593	400	-	80	23,6	25,3	0,1836	560 x	450	-	105	25,3	28,3	0,2112	BFN	900	185	330	42,7	45,7	0,4872	BFN	500	-	130	26,8	29,8	0,2332	550	10	155	28,5	31,5	0,2597	560	15	160	28,8	31,8	0,2650	600	35	180	30,2	33,2	0,2862	630	50	195	31,2	34,2	0,3021	650	60	205	31,9	34,9	0,3127		700	85	230	33,6	36,6	0,3392		710	90	235	33,9	36,9	0,3445		750	110	255	35,3	38,3	0,3657	800	135	280	37	40	0,3922	560 x	900	185	330	40,4	43,4	0,4452	BFN	1000	235	380	46,3	49,3	0,5452	BFN	1000	235	380	41,5	44,5	0,4512	180	-	-	15,8	17,5	0,0636	200	-	-	16,5	18,2	0,0742	225	-	-	17,3	19	0,0875	250	-	5	18,2	19,9	0,1007	280	-	20		19,2	20,9	0,1166	300	-	30		19,9	21,6	0,1272	315	-	37	20,4		22,1	0,1352	355	-	57	21,8	23,5	0,1564	400	-	80	23,3	25	0,1802	560 x	450	-	105	25,3	28,3	0,2112	BFN	600 x	630	50	195	35,5	38,5	0,3712	BF	500	-	130	26,8	29,8	0,2332	550	10	155	28,5	31,5	0,2597	560	15	160	28,8	31,8	0,2650	600	35	180	30,2	33,2	0,2862	630	50	195	31,2	34,2	0,3021		650	60	205	31,9	34,9	0,3127		700	85	230	33,6	36,6	0,3392	710		90	235	33,9	36,9	0,3445	750	110	255	35,3	38,3	0,3657	800	135	280	37	40	0,3922	560 x	900	185	330	40,4	43,4	0,4452	BFN	600 x	630	50	195	37,7	40,7	0,4002	BF	1000	235	380	43,9	46,9	0,4982	180	-	-	15,8	17,5	0,0636	200	-	-	16,5	18,2	0,0742	225	-	-	17,3	19	0,0875	250	-	5		18,2	19,9	0,1007	280	-	20		19,2	20,9	0,1166	300	-	30	19,9		21,6	0,1272	315	-	37	20,4	22,1	0,1352	355	-	57	21,8	23,5	0,1564	400	-	80	23,3	25	0,1802	560 x	450	-	105	25,3	28,3	0,2112	BFN	630 x	630	50	195	39,1	42,1	0,4292	BFN	500	-	130	26,8	29,8	0,2332	550	10	155	28,5	31,5	0,2597	560	15	160	28,8	31,8	0,2650	600	35	180	30,2	33,2	0,2862		630	50	195	31,2	34,2	0,3021		650	60	205	31,9	34,9	0,3127		700	85	230	33,6	36,6	0,3392	710	90	235	33,9	36,9	0,3445	750	110	255	35,3	38,3	0,3657	800	135	280	37	40	0,3922	560 x	900	185	330	40,4	43,4	0,4452	BFN	800	135	280	40,3	43,3	0,4514	BFN	1000	235	380	43,9	46,9	0,4982	180	-	-	16	17,7	0,0648	200	-	-	16,7	18,4	0,0756	225	-	-	17,5	19,2	0,0891	250	-	5	18,4	20,1	0,1026	280	-	20	19,4	21,1	0,1188	300	-	30	20,1	21,8	0,1296	315	-	37	20,7	22,4	0,1377	355	-	57	22	23,7	0,1593	400	-	80	23,6	25,3	0,1836																																																																																																																																																																																																																																																																		
	200	-	-	15,5	17,2	0,0672		225	-	-	16,3	18	0,0792		250	-	5	17,1	18,8	0,0912	280	-	20	18,1	19,8	0,1056	300	-	30	18,8	20,5	0,1152	315	-	37	19,3	21	0,1224	355	-	57	20,6	22,3	0,1416	500 x	400	-	80	22	23,7		0,1632	BFL	560 x	630	50		195		31,6	34,6	0,3078	BF		450	-	105		23,6	26,6	0,1872		500	-	130	25,3	28,3	0,2112	550	10	155	26,9	29,9	0,2352	560	15	160	27,2	30,2	0,2400	600	35	180	28,5	31,5	0,2592	630	50	195	29,5	32,5	0,2736	650	60	205	30,1	33,1	0,2832	700	85	230	31,7	34,7	0,3072	710	90	235	32,1	35,1	0,3120	550 x	750	110		255	33,4		36,4	0,3312	BF	800		135		280	35,7	38,7	0,3726	BFN			800	135	280	35	38	0,3552	900	185	330	38,2	41,2	0,4032	1000	235	380	41,5	44,5	0,4512	180	-	-	15,8	17,5	0,0636	200	-	-	16,5	18,2	0,0742	225	-	-	17,3	19	0,0875	250	-	5	18,2	19,9	0,1007	280	-	20	19,2	20,9	0,1166	300	-	30	19,9	21,6	0,1272			560 x	315	-	37	20,4		22,1		0,1352	BFL	900	185		330	40,9		43,9	0,4536	BFN	355	-	57	21,8	23,5	0,1564	400	-	80	23,3	25	0,1802	450	-	105	25	28	0,2067	500	-	130	26,8	29,8	0,2332	550	10	155	28,5	31,5	0,2597	560	15	160	28,8	31,8	0,2650	600	35	180	30,2	33,2	0,2862	630	50	195	31,2	34,2	0,3021		650	60	205		31,9	34,9		0,3127	550 x	700	85		230		33,6	36,6	0,3392	BF	1000		235	380	44,4	47,4	0,5076	BFN	710	90	235	33,9	36,9	0,3445	750	110	255	35,3	38,3	0,3657	800	135	280	37	40	0,3922	900	185	330	40,4	43,4	0,4452	1000	235	380	43,9	46,9	0,4982	180	-	-	16	17,7	0,0648	200	-	-	16,7	18,4	0,0756		225	-	-	17,5	19,2	0,0891			250	-	5	18,4	20,1	0,1026			560 x	280	-	20	19,4	21,1	0,1188		BFL	560 x	630	50	195	32,9	35,9	0,3306	BF	300	-	30	20,1	21,8	0,1296	315	-	37	20,7	22,4	0,1377		355	-	57	22	23,7	0,1593		400	-	80		23,6	25,3		0,1836	450	-	105		25,3	28,3	0,2112	550 x	500	-		130	26,8	29,8	0,2332	BFN	600	35	180	28,3	31,3	0,2552	BFN	550	10	155	28,5	31,5	0,2597	560	15	160	28,8	31,8	0,2650	600	35	180	30,2	33,2	0,2862	630	50	195	31,2	34,2	0,3021	650	60	205	31,9	34,9	0,3127		700	85	230	33,6	36,6	0,3392		710	90	235	33,9	36,9	0,3445			750	110	255	35,3	38,3	0,3657		800	135	280	37	40	0,3922	560 x		900	185	330	40,4	43,4	0,4452	BFN	600 x	630	50	195	32,9	35,9	0,3306	BF	1000	235	380	43,9	46,9	0,4982	180	-	-	16	17,7	0,0648	200	-	-	16,7	18,4	0,0756	225	-	-	17,5	19,2	0,0891	250	-	5	18,4	20,1	0,1026		280	-	20	19,4	21,1	0,1188		300	-	30	20,1	21,8	0,1296	315		-	37		20,7	22,4	0,1377	355	-	57		22	23,7	0,1593	400	-	80	23,6		25,3	0,1836	560 x	450	-	105	25,3	28,3	0,2112	BFN	630 x	630	50	195	34	37	0,3477	BF	500	-	130	26,8	29,8	0,2332	550	10	155	28,5	31,5	0,2597	560	15	160	28,8	31,8	0,2650	600	35	180	30,2	33,2	0,2862		630	50	195	31,2	34,2	0,3021		650	60	205	31,9	34,9	0,3127		700	85	230	33,6	36,6	0,3392		710	90	235	33,9	36,9	0,3445		750	110	255	35,3	38,3	0,3657		800	135	280	37	40	0,3922	560 x	900	185	330	40,4	43,4	0,4452	BFN	800	135	280	39,1	42,1	0,4292	BFN	1000	235	380	43,9	46,9	0,4982	180	-	-	16	17,7	0,0648	200	-	-	16,7	18,4	0,0756		225	-	-	17,5	19,2	0,0891		250	-	5	18,4	20,1	0,1026		280	-	20	19,4	21,1	0,1188	300	-	30		20,1	21,8	0,1296	315	-	37		20,7	22,4	0,1377	355	-	57		22	23,7	0,1593	400	-	80	23,6	25,3	0,1836	560 x	450	-	105	25,3	28,3	0,2112	BFN	900	185	330	42,7	45,7	0,4872	BFN	500	-	130	26,8	29,8	0,2332	550	10	155	28,5	31,5	0,2597		560	15	160	28,8	31,8	0,2650		600	35	180	30,2	33,2	0,2862		630	50	195	31,2	34,2	0,3021	650	60	205	31,9	34,9	0,3127		700	85	230	33,6	36,6	0,3392		710	90	235	33,9	36,9	0,3445		750	110	255	35,3	38,3	0,3657	800	135	280	37	40	0,3922	560 x	900	185	330	40,4	43,4	0,4452	BFN	1000	235	380	46,3	49,3	0,5452	BFN	1000	235	380	41,5	44,5	0,4512		180	-	-	15,8	17,5	0,0636		200	-	-	16,5	18,2	0,0742	225		-	-	17,3	19	0,0875	250	-	5	18,2	19,9	0,1007	280	-	20		19,2	20,9	0,1166	300	-	30		19,9	21,6	0,1272	315	-	37	20,4		22,1	0,1352	355	-	57	21,8	23,5	0,1564	400	-	80	23,3	25	0,1802	560 x	450	-	105	25,3	28,3	0,2112	BFN	600 x	630	50	195	35,5	38,5	0,3712	BF		500	-	130	26,8	29,8	0,2332		550	10	155	28,5	31,5	0,2597	560		15	160	28,8	31,8	0,2650	600	35	180	30,2	33,2	0,2862	630	50	195	31,2	34,2	0,3021		650	60	205	31,9	34,9	0,3127		700	85	230	33,6	36,6	0,3392	710		90	235	33,9	36,9	0,3445	750	110	255	35,3	38,3	0,3657	800	135	280	37	40	0,3922	560 x	900	185	330	40,4	43,4	0,4452	BFN	600 x	630		50	195	37,7	40,7	0,4002	BF		1000	235	380	43,9	46,9	0,4982	180		-	-	15,8	17,5	0,0636	200	-	-	16,5	18,2	0,0742	225	-	-	17,3	19	0,0875	250	-	5		18,2	19,9	0,1007	280	-	20		19,2	20,9	0,1166	300	-	30	19,9		21,6	0,1272	315	-	37	20,4	22,1	0,1352	355	-	57	21,8	23,5	0,1564	400	-	80	23,3	25	0,1802	560 x	450	-	105		25,3	28,3	0,2112	BFN	630 x	630		50	195	39,1	42,1	0,4292	BFN		500	-	130	26,8	29,8	0,2332	550	10	155	28,5	31,5	0,2597	560	15	160	28,8	31,8	0,2650	600	35	180	30,2	33,2	0,2862		630	50	195	31,2	34,2	0,3021		650	60	205	31,9	34,9	0,3127		700	85	230	33,6	36,6	0,3392	710	90	235	33,9	36,9	0,3445	750	110	255	35,3	38,3	0,3657	800	135	280	37	40	0,3922	560 x	900	185	330	40,4	43,4	0,4452	BFN	800	135	280	40,3	43,3	0,4514	BFN	1000	235	380	43,9	46,9	0,4982	180	-	-	16	17,7	0,0648	200	-	-	16,7	18,4	0,0756	225	-	-	17,5	19,2	0,0891	250	-	5	18,4	20,1	0,1026	280	-	20	19,4	21,1	0,1188	300	-	30	20,1	21,8	0,1296	315	-	37	20,7	22,4	0,1377	355	-	57	22	23,7	0,1593	400	-	80	23,6	25,3	0,1836																																																																																																																																																																																																																											
	225	-	-	16,3	18	0,0792		250	-	5	17,1	18,8	0,0912		280	-	20	18,1	19,8	0,1056	300	-	30	18,8	20,5	0,1152	315	-	37	19,3	21	0,1224	355	-	57	20,6	22,3	0,1416	500 x	400	-	80	22	23,7		0,1632	BFL	560 x	630	50		195		31,6	34,6	0,3078		BF		450	-	105			23,6	26,6	0,1872		500	-	130		25,3	28,3	0,2112	550	10	155	26,9	29,9	0,2352	560	15	160	27,2	30,2	0,2400	600	35	180	28,5	31,5	0,2592	630	50	195	29,5	32,5	0,2736	650	60	205	30,1	33,1	0,2832	700	85	230	31,7	34,7	0,3072	710	90	235	32,1	35,1	0,3120	550 x	750	110		255	33,4		36,4	0,3312		BF	800		135		280		35,7	38,7	0,3726	BFN				800	135	280	35	38	0,3552	900	185	330	38,2	41,2	0,4032	1000	235	380	41,5	44,5	0,4512	180	-	-	15,8	17,5	0,0636	200	-	-	16,5	18,2	0,0742	225	-	-	17,3	19	0,0875	250	-	5	18,2	19,9	0,1007	280	-	20	19,2	20,9	0,1166	300	-	30	19,9	21,6	0,1272				560 x	315	-	37		20,4		22,1		0,1352	BFL		900	185		330	40,9		43,9	0,4536	BFN	355	-	57	21,8	23,5	0,1564	400	-	80	23,3	25	0,1802	450	-	105	25	28	0,2067	500	-	130	26,8	29,8	0,2332	550	10	155	28,5	31,5	0,2597	560	15	160	28,8	31,8	0,2650	600	35	180	30,2	33,2	0,2862	630	50	195		31,2	34,2	0,3021		650	60		205		31,9	34,9		0,3127		550 x	700	85		230		33,6	36,6	0,3392	BF	1000		235	380	44,4	47,4	0,5076	BFN	710	90	235	33,9	36,9	0,3445	750	110	255	35,3	38,3	0,3657	800	135	280	37	40	0,3922	900	185	330	40,4	43,4	0,4452	1000	235	380	43,9	46,9	0,4982	180	-	-	16	17,7	0,0648		200	-	-	16,7	18,4	0,0756			225	-	-	17,5	19,2	0,0891				250	-	5	18,4	20,1	0,1026			560 x	280	-	20	19,4	21,1	0,1188		BFL	560 x	630	50	195	32,9	35,9	0,3306	BF	300	-	30		20,1	21,8	0,1296	315	-	37		20,7	22,4	0,1377		355	-		57	22	23,7	0,1593		400	-	80		23,6	25,3		0,1836	450	-	105		25,3	28,3	0,2112	550 x	500	-		130	26,8	29,8	0,2332	BFN	600	35	180	28,3	31,3	0,2552	BFN	550	10	155	28,5	31,5	0,2597	560	15	160	28,8	31,8	0,2650	600	35	180	30,2	33,2	0,2862		630	50	195	31,2	34,2	0,3021		650	60	205	31,9	34,9	0,3127			700	85	230	33,6	36,6	0,3392		710	90	235	33,9	36,9	0,3445			750	110	255	35,3	38,3	0,3657		800	135	280	37	40	0,3922	560 x		900	185	330	40,4	43,4	0,4452	BFN	600 x	630	50	195	32,9	35,9	0,3306	BF	1000	235	380	43,9	46,9	0,4982	180	-	-	16	17,7	0,0648	200	-	-		16,7	18,4	0,0756	225	-	-		17,5	19,2	0,0891	250	-	5	18,4		20,1	0,1026		280	-	20	19,4	21,1	0,1188		300	-	30	20,1	21,8	0,1296	315		-	37		20,7	22,4	0,1377	355	-	57		22	23,7	0,1593	400	-	80	23,6		25,3	0,1836	560 x	450	-	105	25,3	28,3	0,2112	BFN	630 x	630	50	195	34	37	0,3477	BF	500	-	130	26,8	29,8	0,2332		550	10	155	28,5	31,5	0,2597		560	15	160	28,8	31,8	0,2650		600	35	180	30,2	33,2	0,2862		630	50	195	31,2	34,2	0,3021		650	60	205	31,9	34,9	0,3127		700	85	230	33,6	36,6	0,3392		710	90	235	33,9	36,9	0,3445		750	110	255	35,3	38,3	0,3657		800	135	280	37	40	0,3922	560 x	900	185	330	40,4	43,4	0,4452	BFN	800	135	280	39,1		42,1	0,4292	BFN	1000	235	380		43,9	46,9	0,4982	180	-	-		16	17,7	0,0648	200	-	-	16,7	18,4	0,0756		225	-	-	17,5	19,2	0,0891		250	-	5	18,4	20,1	0,1026		280	-	20	19,4	21,1	0,1188	300	-	30		20,1	21,8	0,1296	315	-	37		20,7	22,4	0,1377	355	-	57		22	23,7	0,1593	400	-	80	23,6	25,3	0,1836	560 x	450	-		105	25,3	28,3	0,2112	BFN	900		185	330	42,7	45,7	0,4872	BFN		500	-	130	26,8	29,8	0,2332	550	10	155	28,5	31,5	0,2597		560	15	160	28,8	31,8	0,2650		600	35	180	30,2	33,2	0,2862		630	50	195	31,2	34,2	0,3021	650	60	205	31,9	34,9	0,3127		700	85	230	33,6	36,6	0,3392		710	90	235	33,9	36,9	0,3445		750	110	255	35,3	38,3	0,3657		800	135	280	37	40	0,3922		560 x	900	185	330	40,4	43,4	0,4452		BFN	1000	235	380	46,3	49,3	0,5452	BFN	1000	235	380	41,5	44,5	0,4512		180	-	-	15,8	17,5	0,0636		200	-	-	16,5	18,2	0,0742	225		-	-	17,3	19	0,0875	250	-	5	18,2	19,9	0,1007	280	-	20		19,2	20,9	0,1166	300	-	30		19,9	21,6	0,1272	315	-	37	20,4			22,1	0,1352	355	-	57	21,8		23,5	0,1564	400	-	80	23,3	25		0,1802	560 x	450	-	105	25,3	28,3	0,2112	BFN	600 x	630	50	195	35,5	38,5	0,3712	BF		500	-	130	26,8	29,8	0,2332		550	10	155	28,5	31,5	0,2597	560		15	160	28,8	31,8	0,2650	600	35	180	30,2	33,2	0,2862	630	50	195	31,2	34,2	0,3021		650	60	205	31,9	34,9	0,3127		700	85		230	33,6	36,6	0,3392	710			90	235	33,9	36,9	0,3445	750	110		255	35,3	38,3	0,3657	800	135	280	37	40	0,3922	560 x	900	185	330	40,4	43,4	0,4452	BFN	600 x	630		50	195	37,7	40,7	0,4002	BF		1000	235	380	43,9	46,9	0,4982	180		-	-	15,8	17,5	0,0636	200	-	-	16,5	18,2	0,0742	225	-	-	17,3	19	0,0875	250	-	5		18,2	19,9	0,1007		280	-	20		19,2	20,9		0,1166	300	-	30	19,9			21,6	0,1272	315	-	37	20,4	22,1	0,1352	355	-	57	21,8	23,5	0,1564	400	-	80	23,3	25	0,1802	560 x	450	-	105		25,3	28,3	0,2112	BFN	630 x	630		50	195	39,1	42,1	0,4292	BFN		500	-	130	26,8	29,8	0,2332	550	10	155	28,5	31,5	0,2597	560	15	160	28,8	31,8	0,2650	600	35	180	30,2	33,2	0,2862		630	50	195	31,2	34,2	0,3021		650	60	205	31,9	34,9	0,3127		700	85	230	33,6	36,6	0,3392	710	90	235	33,9	36,9	0,3445	750	110	255	35,3	38,3	0,3657	800	135	280	37	40	0,3922	560 x	900	185	330	40,4	43,4	0,4452	BFN	800	135	280	40,3	43,3	0,4514	BFN	1000	235	380	43,9	46,9	0,4982	180	-	-	16	17,7	0,0648	200	-	-	16,7	18,4	0,0756	225	-	-	17,5	19,2	0,0891	250	-	5	18,4	20,1	0,1026	280	-	20	19,4	21,1	0,1188	300	-	30	20,1	21,8	0,1296	315	-	37	20,7	22,4	0,1377	355	-	57	22	23,7	0,1593	400	-	80	23,6	25,3	0,1836																																																																																																																																																																																				
	250	-	5	17,1	18,8	0,0912		280	-	20	18,1	19,8	0,1056		300	-	30	18,8	20,5	0,1152	315	-	37	19,3	21	0,1224	355	-	57	20,6	22,3	0,1416	500 x	400	-	80	22	23,7		0,1632	BFL	560 x	630	50		195		31,6	34,6	0,3078		BF		450	-	105				23,6	26,6	0,1872			500	-	130		25,3	28,3	0,2112		550	10	155	26,9	29,9	0,2352	560	15	160	27,2	30,2	0,2400	600	35	180	28,5	31,5	0,2592	630	50	195	29,5	32,5	0,2736	650	60	205	30,1	33,1	0,2832	700	85	230	31,7	34,7	0,3072	710	90	235	32,1	35,1	0,3120	550 x	750	110		255	33,4		36,4	0,3312		BF	800			135		280		35,7		38,7	0,3726	BFN					800	135	280	35	38	0,3552	900	185	330	38,2	41,2	0,4032	1000	235	380	41,5	44,5	0,4512	180	-	-	15,8	17,5	0,0636	200	-	-	16,5	18,2	0,0742	225	-	-	17,3	19	0,0875	250	-	5	18,2	19,9	0,1007	280	-	20	19,2	20,9	0,1166	300	-	30	19,9	21,6	0,1272					560 x	315	-		37		20,4		22,1			0,1352	BFL		900	185		330	40,9		43,9	0,4536	BFN	355	-	57	21,8	23,5	0,1564	400	-	80	23,3	25	0,1802	450	-	105	25	28	0,2067	500	-	130	26,8	29,8	0,2332	550	10	155	28,5	31,5	0,2597	560	15	160	28,8	31,8	0,2650	600	35	180	30,2	33,2	0,2862		630	50	195		31,2	34,2		0,3021		650	60		205			31,9	34,9		0,3127		550 x	700	85		230		33,6	36,6	0,3392	BF	1000		235	380	44,4	47,4	0,5076	BFN	710	90	235	33,9	36,9	0,3445	750	110	255	35,3	38,3	0,3657	800	135	280	37	40	0,3922	900	185	330	40,4	43,4	0,4452	1000	235	380	43,9	46,9	0,4982		180	-	-	16	17,7	0,0648			200	-	-	16,7	18,4	0,0756				225	-	-	17,5	19,2	0,0891				250	-	5	18,4	20,1	0,1026			560 x	280	-	20	19,4	21,1	0,1188		BFL	560 x	630		50	195	32,9	35,9	0,3306	BF		300	-	30		20,1	21,8		0,1296	315	-	37		20,7	22,4	0,1377		355	-		57	22	23,7	0,1593		400	-	80		23,6	25,3		0,1836	450	-	105		25,3	28,3	0,2112	550 x	500	-		130	26,8	29,8	0,2332	BFN	600	35	180	28,3	31,3	0,2552	BFN	550	10	155	28,5	31,5	0,2597		560	15	160	28,8	31,8	0,2650		600	35	180	30,2	33,2	0,2862			630	50	195	31,2	34,2	0,3021		650	60	205	31,9	34,9	0,3127			700	85	230	33,6	36,6	0,3392		710	90	235	33,9	36,9	0,3445			750	110	255	35,3	38,3	0,3657		800	135	280	37	40	0,3922	560 x		900	185	330	40,4	43,4	0,4452	BFN	600 x	630	50	195	32,9	35,9	0,3306	BF		1000	235	380	43,9	46,9	0,4982		180	-	-	16	17,7	0,0648	200		-	-		16,7	18,4	0,0756	225	-	-		17,5	19,2	0,0891	250	-	5	18,4		20,1	0,1026		280	-	20	19,4	21,1	0,1188		300	-	30	20,1	21,8	0,1296	315		-	37		20,7	22,4	0,1377	355	-	57		22	23,7	0,1593	400	-	80	23,6		25,3	0,1836	560 x	450	-	105		25,3	28,3	0,2112	BFN	630 x	630		50	195	34	37	0,3477	BF		500	-	130	26,8	29,8	0,2332		550	10	155	28,5	31,5	0,2597		560	15	160	28,8	31,8	0,2650		600	35	180	30,2	33,2	0,2862		630	50	195	31,2	34,2	0,3021		650	60	205	31,9	34,9	0,3127		700	85	230	33,6	36,6	0,3392		710	90	235	33,9	36,9	0,3445		750	110	255	35,3		38,3	0,3657		800	135	280		37	40	0,3922	560 x	900	185		330	40,4	43,4	0,4452	BFN	800	135	280	39,1		42,1	0,4292	BFN	1000	235	380		43,9	46,9	0,4982	180	-	-		16	17,7	0,0648	200	-	-	16,7	18,4	0,0756		225	-	-	17,5	19,2	0,0891		250	-	5	18,4	20,1	0,1026		280	-	20	19,4	21,1	0,1188	300	-	30		20,1	21,8		0,1296	315	-	37		20,7		22,4	0,1377	355	-	57			22	23,7	0,1593	400	-	80	23,6	25,3	0,1836	560 x	450	-		105	25,3	28,3	0,2112	BFN	900		185	330	42,7	45,7	0,4872	BFN		500	-	130	26,8	29,8	0,2332	550	10	155	28,5	31,5	0,2597		560	15	160	28,8	31,8	0,2650		600	35	180	30,2	33,2	0,2862		630	50	195	31,2	34,2	0,3021		650	60	205	31,9	34,9	0,3127			700	85	230	33,6	36,6	0,3392			710	90	235	33,9	36,9	0,3445		750	110	255	35,3	38,3	0,3657		800	135	280	37	40	0,3922		560 x	900	185	330	40,4	43,4	0,4452		BFN	1000	235	380	46,3	49,3	0,5452	BFN	1000	235	380	41,5	44,5	0,4512		180	-	-	15,8	17,5	0,0636		200	-	-	16,5	18,2	0,0742	225			-	-	17,3	19	0,0875	250		-	5	18,2	19,9	0,1007	280	-		20		19,2	20,9	0,1166	300	-	30		19,9	21,6	0,1272	315	-	37	20,4			22,1	0,1352	355	-	57	21,8		23,5	0,1564	400	-	80	23,3	25		0,1802	560 x	450	-	105	25,3	28,3	0,2112	BFN	600 x	630	50	195	35,5	38,5	0,3712	BF		500	-	130	26,8	29,8	0,2332		550	10		155	28,5	31,5	0,2597	560			15	160	28,8	31,8	0,2650	600	35		180	30,2	33,2	0,2862	630	50	195	31,2	34,2	0,3021		650	60	205	31,9	34,9	0,3127		700	85		230	33,6	36,6	0,3392	710			90	235	33,9	36,9	0,3445	750	110		255	35,3	38,3	0,3657	800	135	280	37	40	0,3922	560 x	900	185	330	40,4	43,4	0,4452	BFN	600 x	630		50	195	37,7		40,7	0,4002	BF		1000	235		380	43,9	46,9	0,4982	180			-	-	15,8	17,5	0,0636	200	-	-	16,5	18,2	0,0742	225	-	-	17,3	19	0,0875	250	-	5		18,2	19,9	0,1007		280	-	20		19,2	20,9		0,1166	300	-	30	19,9			21,6	0,1272	315	-	37	20,4	22,1	0,1352	355	-	57	21,8	23,5	0,1564	400	-	80	23,3	25	0,1802	560 x	450	-	105		25,3	28,3	0,2112	BFN	630 x	630		50	195	39,1	42,1	0,4292	BFN		500	-	130	26,8	29,8	0,2332	550	10	155	28,5	31,5	0,2597	560	15	160	28,8	31,8	0,2650	600	35	180	30,2	33,2	0,2862		630	50	195	31,2	34,2	0,3021		650	60	205	31,9	34,9	0,3127		700	85	230	33,6	36,6	0,3392	710	90	235	33,9	36,9	0,3445	750	110	255	35,3	38,3	0,3657	800	135	280	37	40	0,3922	560 x	900	185	330	40,4	43,4	0,4452	BFN	800	135	280	40,3	43,3	0,4514	BFN	1000	235	380	43,9	46,9	0,4982	180	-	-	16	17,7	0,0648	200	-	-	16,7	18,4	0,0756	225	-	-	17,5	19,2	0,0891	250	-	5	18,4	20,1	0,1026	280	-	20	19,4	21,1	0,1188	300	-	30	20,1	21,8	0,1296	315	-	37	20,7	22,4	0,1377	355	-	57	22	23,7	0,1593	400	-	80	23,6	25,3	0,1836																																																																																																																																													
	280	-	20	18,1	19,8	0,1056		300	-	30	18,8	20,5	0,1152		315	-	37	19,3	21	0,1224	355	-	57	20,6	22,3	0,1416	500 x	400	-	80	22	23,7		0,1632	BFL	560 x	630	50		195		31,6	34,6	0,3078		BF		450	-	105				23,6	26,6	0,1872				500	-	130			25,3	28,3	0,2112		550	10	155		26,9	29,9	0,2352	560	15	160	27,2	30,2	0,2400	600	35	180	28,5	31,5	0,2592	630	50	195	29,5	32,5	0,2736	650	60	205	30,1	33,1	0,2832	700	85	230	31,7	34,7	0,3072	710	90	235	32,1	35,1	0,3120	550 x	750	110		255	33,4		36,4	0,3312		BF	800			135			280		35,7		38,7		0,3726	BFN						800	135	280	35	38	0,3552	900	185	330	38,2	41,2	0,4032	1000	235	380	41,5	44,5	0,4512	180	-	-	15,8	17,5	0,0636	200	-	-	16,5	18,2	0,0742	225	-	-	17,3	19	0,0875	250	-	5	18,2	19,9	0,1007	280	-	20	19,2	20,9	0,1166	300	-	30	19,9	21,6	0,1272						560 x	315		-		37		20,4			22,1			0,1352	BFL		900	185		330	40,9		43,9	0,4536	BFN	355	-	57	21,8	23,5	0,1564	400	-	80	23,3	25	0,1802	450	-	105	25	28	0,2067	500	-	130	26,8	29,8	0,2332	550	10	155	28,5	31,5	0,2597	560	15	160	28,8	31,8	0,2650	600	35	180		30,2	33,2	0,2862		630	50		195		31,2	34,2		0,3021			650	60		205			31,9	34,9		0,3127		550 x	700	85		230		33,6	36,6	0,3392	BF	1000		235	380	44,4	47,4	0,5076	BFN	710	90	235	33,9	36,9	0,3445	750	110	255	35,3	38,3	0,3657	800	135	280	37	40	0,3922	900	185	330	40,4	43,4	0,4452		1000	235	380	43,9	46,9	0,4982			180	-	-	16	17,7	0,0648				200	-	-	16,7	18,4	0,0756				225	-	-	17,5	19,2	0,0891				250	-	5	18,4	20,1	0,1026			560 x	280		-	20	19,4	21,1	0,1188			BFL	560 x	630		50	195		32,9	35,9	0,3306	BF		300	-	30		20,1	21,8		0,1296	315	-	37		20,7	22,4	0,1377		355	-		57	22	23,7	0,1593		400	-	80		23,6	25,3		0,1836	450	-	105		25,3	28,3	0,2112	550 x	500	-		130	26,8	29,8	0,2332	BFN	600		35	180	28,3	31,3	0,2552	BFN		550	10	155	28,5	31,5	0,2597			560	15	160	28,8	31,8	0,2650		600	35	180	30,2	33,2	0,2862			630	50	195	31,2	34,2	0,3021		650	60	205	31,9	34,9	0,3127			700	85	230	33,6	36,6	0,3392		710	90	235	33,9	36,9	0,3445			750	110	255	35,3	38,3	0,3657		800	135	280	37	40	0,3922	560 x			900	185	330	40,4	43,4	0,4452		BFN	600 x	630	50	195	32,9	35,9		0,3306	BF		1000	235	380	43,9	46,9	0,4982		180	-	-	16	17,7	0,0648	200		-	-		16,7	18,4	0,0756	225	-	-		17,5	19,2	0,0891	250	-	5	18,4		20,1	0,1026		280	-	20	19,4	21,1	0,1188		300	-	30	20,1	21,8	0,1296	315		-	37		20,7	22,4	0,1377		355	-	57		22	23,7		0,1593	400	-	80	23,6			25,3	0,1836	560 x	450	-	105		25,3	28,3	0,2112	BFN	630 x	630		50	195	34	37	0,3477	BF		500	-	130	26,8	29,8	0,2332		550	10	155	28,5	31,5	0,2597		560	15	160	28,8	31,8	0,2650		600	35	180	30,2	33,2	0,2862		630	50	195	31,2	34,2	0,3021		650	60	205	31,9		34,9	0,3127		700	85	230		33,6	36,6	0,3392		710	90		235	33,9	36,9	0,3445		750	110	255	35,3		38,3	0,3657		800	135	280		37	40	0,3922	560 x	900	185		330	40,4	43,4	0,4452	BFN	800	135	280	39,1		42,1	0,4292	BFN	1000	235	380		43,9	46,9	0,4982	180	-	-		16	17,7	0,0648	200	-	-	16,7	18,4	0,0756		225	-		-	17,5	19,2	0,0891		250		-	5	18,4	20,1	0,1026			280	-	20	19,4	21,1	0,1188	300	-	30		20,1	21,8		0,1296	315	-	37		20,7		22,4	0,1377	355	-	57			22	23,7	0,1593	400	-	80	23,6	25,3	0,1836	560 x	450	-		105	25,3	28,3	0,2112	BFN	900		185	330	42,7	45,7	0,4872	BFN		500	-	130	26,8	29,8	0,2332		550	10	155	28,5	31,5	0,2597			560	15	160	28,8	31,8	0,2650			600	35	180	30,2	33,2	0,2862		630	50	195	31,2	34,2	0,3021		650	60	205	31,9	34,9	0,3127			700	85	230	33,6	36,6	0,3392			710	90	235	33,9	36,9	0,3445		750	110	255	35,3	38,3	0,3657		800	135	280	37	40	0,3922		560 x	900	185	330	40,4	43,4	0,4452			BFN	1000	235	380	46,3	49,3		0,5452	BFN	1000	235	380	41,5	44,5		0,4512		180	-	-	15,8	17,5	0,0636		200	-	-	16,5	18,2	0,0742	225			-	-	17,3	19	0,0875	250		-	5	18,2	19,9	0,1007	280	-		20		19,2	20,9	0,1166	300	-	30		19,9	21,6	0,1272	315	-	37	20,4			22,1	0,1352	355	-	57	21,8		23,5	0,1564		400	-	80	23,3	25			0,1802	560 x	450	-	105	25,3	28,3		0,2112	BFN	600 x	630	50	195	35,5	38,5	0,3712	BF		500	-	130	26,8	29,8	0,2332		550	10		155	28,5	31,5	0,2597	560			15	160	28,8	31,8	0,2650	600	35		180	30,2	33,2	0,2862	630	50	195	31,2	34,2	0,3021		650	60	205	31,9	34,9	0,3127		700	85		230	33,6	36,6		0,3392	710			90	235		33,9	36,9	0,3445	750	110			255	35,3	38,3	0,3657	800	135	280	37	40	0,3922	560 x	900	185	330	40,4	43,4	0,4452	BFN	600 x	630		50	195	37,7		40,7	0,4002	BF		1000	235		380	43,9	46,9	0,4982	180			-	-	15,8	17,5	0,0636	200	-	-	16,5	18,2	0,0742	225	-	-	17,3	19	0,0875	250	-	5		18,2	19,9	0,1007		280	-	20		19,2	20,9		0,1166	300	-	30	19,9			21,6	0,1272	315	-	37	20,4	22,1	0,1352	355	-	57	21,8	23,5	0,1564	400	-	80	23,3	25	0,1802	560 x	450	-	105		25,3	28,3	0,2112	BFN	630 x	630		50	195	39,1	42,1	0,4292	BFN		500	-	130	26,8	29,8	0,2332	550	10	155	28,5	31,5	0,2597	560	15	160	28,8	31,8	0,2650	600	35	180	30,2	33,2	0,2862		630	50	195	31,2	34,2	0,3021		650	60	205	31,9	34,9	0,3127		700	85	230	33,6	36,6	0,3392	710	90	235	33,9	36,9	0,3445	750	110	255	35,3	38,3	0,3657	800	135	280	37	40	0,3922	560 x	900	185	330	40,4	43,4	0,4452	BFN	800	135	280	40,3	43,3	0,4514	BFN	1000	235	380	43,9	46,9	0,4982	180	-	-	16	17,7	0,0648	200	-	-	16,7	18,4	0,0756	225	-	-	17,5	19,2	0,0891	250	-	5	18,4	20,1	0,1026	280	-	20	19,4	21,1	0,1188	300	-	30	20,1	21,8	0,1296	315	-	37	20,7	22,4	0,1377	355	-	57	22	23,7	0,1593	400	-	80	23,6	25,3	0,1836																																																																																																						
	300	-	30	18,8	20,5	0,1152		315	-	37	19,3	21	0,1224		355	-	57	20,6	22,3	0,1416	500 x	400	-	80	22	23,7		0,1632	BFL	560 x	630	50		195		31,6	34,6	0,3078		BF		450	-	105				23,6	26,6	0,1872				500	-	130				25,3	28,3	0,2112			550	10	155		26,9	29,9	0,2352		560	15	160	27,2	30,2	0,2400	600	35	180	28,5	31,5	0,2592	630	50	195	29,5	32,5	0,2736	650	60	205	30,1	33,1	0,2832	700	85	230	31,7	34,7	0,3072	710	90	235	32,1	35,1	0,3120	550 x	750	110		255	33,4		36,4	0,3312		BF	800			135			280			35,7		38,7		0,3726		BFN							800	135	280	35	38	0,3552	900	185	330	38,2	41,2	0,4032	1000	235	380	41,5	44,5	0,4512	180	-	-	15,8	17,5	0,0636	200	-	-	16,5	18,2	0,0742	225	-	-	17,3	19	0,0875	250	-	5	18,2	19,9	0,1007	280	-	20	19,2	20,9	0,1166	300	-	30	19,9	21,6	0,1272							560 x		315		-		37			20,4			22,1			0,1352	BFL		900	185		330	40,9		43,9	0,4536	BFN	355	-	57	21,8	23,5	0,1564	400	-	80	23,3	25	0,1802	450	-	105	25	28	0,2067	500	-	130	26,8	29,8	0,2332	550	10	155	28,5	31,5	0,2597	560	15	160	28,8	31,8	0,2650		600	35	180		30,2	33,2		0,2862		630	50		195			31,2	34,2		0,3021			650	60		205			31,9	34,9		0,3127		550 x	700	85		230		33,6	36,6	0,3392	BF	1000		235	380	44,4	47,4	0,5076	BFN	710	90	235	33,9	36,9	0,3445	750	110	255	35,3	38,3	0,3657	800	135	280	37	40	0,3922	900	185	330	40,4	43,4	0,4452	1000	235		380	43,9	46,9	0,4982	180	-	-			16	17,7	0,0648	200	-	-				16,7	18,4	0,0756	225	-	-				17,5	19,2	0,0891	250	-	5				18,4		20,1	0,1026	560 x	280	-				20	19,4		21,1	0,1188		BFL	560 x	630			50	195	32,9		35,9	0,3306		BF	300	-	30		20,1	21,8	0,1296		315	-		37	20,7	22,4	0,1377		355	-	57		22	23,7		0,1593	400	-	80		23,6	25,3	0,1836		450	-		105	25,3	28,3	0,2112		550 x		500	-	130	26,8	29,8			0,2332	BFN	600	35	180	28,3			31,3	0,2552	BFN	550	10	155		28,5	31,5	0,2597	560	15	160			28,8	31,8	0,2650	600	35	180		30,2	33,2	0,2862	630	50	195			31,2	34,2	0,3021	650	60	205		31,9	34,9	0,3127	700	85	230			33,6	36,6	0,3392	710	90	235		33,9	36,9	0,3445	750	110	255				35,3	38,3	0,3657	800	135	280			37	40	0,3922	560 x	900	185		330			40,4	43,4	0,4452	BFN	600 x	630		50	195	32,9	35,9	0,3306	BF	1000		235	380		43,9	46,9	0,4982	180	-	-		16	17,7	0,0648	200	-	-	16,7		18,4	0,0756		225	-	-	17,5	19,2	0,0891		250	-	5	18,4	20,1	0,1026	280		-	20		19,4	21,1	0,1188		300	-	30		20,1	21,8		0,1296	315	-	37	20,7			22,4	0,1377		355	-	57		22	23,7	0,1593		400	-		80	23,6	25,3	0,1836	560 x			450	-	105	25,3	28,3	0,2112		BFN	630 x	630	50	195	34		37	0,3477	BF	500	-	130		26,8	29,8	0,2332	550	10	155		28,5	31,5	0,2597	560	15	160		28,8	31,8	0,2650	600		35	180		30,2	33,2	0,2862		630	50	195		31,2	34,2		0,3021	650	60	205		31,9	34,9	0,3127	700		85	230		33,6	36,6	0,3392		710	90	235		33,9	36,9		0,3445	750	110	255		35,3	38,3	0,3657	800		135	280		37	40	0,3922		560 x	900	185	330	40,4	43,4		0,4452	BFN	800	135	280	39,1	42,1	0,4292	BFN		1000	235		380	43,9	46,9	0,4982		180		-	-	16	17,7	0,0648			200	-	-	16,7	18,4	0,0756	225	-	-		17,5	19,2		0,0891	250	-	5		18,4		20,1	0,1026	280	-	20			19,4	21,1	0,1188	300	-	30	20,1	21,8	0,1296		315	-		37	20,7	22,4	0,1377		355		-	57	22	23,7	0,1593			400	-	80	23,6	25,3	0,1836		560 x	450	-	105	25,3	28,3			0,2112	BFN	900	185	330	42,7			45,7	0,4872	BFN	500	-	130		26,8	29,8	0,2332	550	10	155		28,5	31,5	0,2597	560	15	160			28,8	31,8	0,2650	600	35	180			30,2	33,2	0,2862	630	50	195		31,2	34,2	0,3021	650	60	205		31,9	34,9	0,3127	700	85	230			33,6	36,6	0,3392	710	90	235				33,9	36,9	0,3445	750	110		255		35,3	38,3	0,3657	800	135		280		37	40	0,3922	560 x	900	185		330	40,4	43,4	0,4452	BFN	1000	235			380	46,3	49,3	0,5452	BFN	1000		235	380	41,5	44,5	0,4512	180	-		-		15,8	17,5	0,0636	200	-	-		16,5	18,2	0,0742	225	-	-	17,3			19	0,0875	250	-	5	18,2		19,9	0,1007		280	-	20	19,2	20,9			0,1166		300	-	30	19,9	21,6		0,1272		315	-	37	20,4	22,1	0,1352	355			-	57	21,8	23,5	0,1564	400		-	80		23,3	25	0,1802	560 x	450			-	105	25,3	28,3	0,2112	BFN	600 x		630	50	195	35,5	38,5	0,3712	BF	500	-	130		26,8	29,8	0,2332	550	10	155		28,5	31,5		0,2597	560	15		160	28,8			31,8	0,2650		600	35	180	30,2	33,2			0,2862	630	50	195	31,2	34,2	0,3021	650	60	205		31,9	34,9	0,3127	700	85	230		33,6	36,6		0,3392	710	90		235	33,9			36,9	0,3445		750	110	255	35,3	38,3			0,3657	800	135	280	37	40	0,3922	560 x	900	185	330	40,4	43,4	0,4452	BFN	600 x	630	50	195	37,7		40,7	0,4002	BF		1000	235	380		43,9	46,9		0,4982	180	-	-	15,8			17,5	0,0636	200	-	-	16,5	18,2	0,0742	225	-	-	17,3	19	0,0875	250	-	5	18,2	19,9	0,1007		280	-	20		19,2	20,9	0,1166		300	-		30	19,9	21,6	0,1272	315			-	37	20,4	22,1	0,1352	355	-	57	21,8	23,5	0,1564	400	-	80	23,3	25	0,1802	560 x	450	-	105	25,3	28,3	0,2112		BFN	630 x	630	50	195	39,1		42,1	0,4292	BFN	500	-	130		26,8	29,8	0,2332	550	10	155	28,5	31,5	0,2597	560	15	160	28,8	31,8	0,2650	600	35	180	30,2	33,2	0,2862	630	50	195		31,2	34,2	0,3021	650	60	205		31,9	34,9	0,3127	700	85	230		33,6	36,6	0,3392	710	90	235	33,9	36,9	0,3445	750	110	255	35,3	38,3	0,3657	800	135	280	37	40	0,3922	560 x	900	185	330	40,4	43,4	0,4452	BFN	800	135	280	40,3	43,3	0,4514	BFN	1000	235	380	43,9	46,9	0,4982	180	-	-	16	17,7	0,0648	200	-	-	16,7	18,4	0,0756	225	-	-	17,5	19,2	0,0891	250	-	5	18,4	20,1	0,1026	280	-	20	19,4	21,1	0,1188	300	-	30	20,1	21,8	0,1296	315	-	37	20,7	22,4	0,1377	355	-	57	22	23,7	0,1593	400	-	80	23,6	25,3	0,1836																																																																		
	315	-	37	19,3	21	0,1224		355	-	57	20,6	22,3	0,1416		500 x	400	-	80	22	23,7		0,1632	BFL	560 x	630	50		195		31,6	34,6	0,3078		BF		450	-	105				23,6	26,6	0,1872				500	-	130				25,3	28,3	0,2112				550	10	155			26,9	29,9	0,2352		560	15	160		27,2	30,2	0,2400	600	35	180	28,5	31,5	0,2592	630	50	195	29,5	32,5	0,2736	650	60	205	30,1	33,1	0,2832	700	85	230	31,7	34,7	0,3072	710	90	235	32,1	35,1	0,3120	550 x	750	110		255	33,4		36,4	0,3312		BF	800			135			280			35,7			38,7		0,3726		BFN									800	135	280	35	38	0,3552	900	185	330	38,2	41,2	0,4032	1000	235	380	41,5	44,5	0,4512	180	-	-	15,8	17,5	0,0636	200	-	-	16,5	18,2	0,0742	225	-	-	17,3	19	0,0875	250	-	5	18,2	19,9	0,1007	280	-	20	19,2	20,9	0,1166	300	-	30	19,9	21,6	0,1272									560 x		315		-			37			20,4			22,1			0,1352	BFL		900	185		330	40,9		43,9	0,4536	BFN	355	-	57	21,8	23,5	0,1564	400	-	80	23,3	25	0,1802	450	-	105	25	28	0,2067	500	-	130	26,8	29,8	0,2332	550	10	155	28,5	31,5	0,2597	560	15	160		28,8	31,8	0,2650		600	35		180		30,2	33,2		0,2862			630	50		195			31,2	34,2		0,3021			650	60		205			31,9	34,9		0,3127		550 x	700	85		230		33,6	36,6	0,3392	BF	1000		235	380	44,4	47,4	0,5076	BFN	710	90	235	33,9	36,9	0,3445	750	110	255	35,3	38,3	0,3657	800	135	280	37	40	0,3922	900	185	330	40,4	43,4	0,4452	1000	235	380	43,9	46,9		0,4982	180	-	-	16	17,7	0,0648			200	-	-	16,7	18,4	0,0756				225	-	-	17,5	19,2	0,0891				250		-	5		18,4	20,1				0,1026	560 x		280	-			20	19,4			21,1	0,1188	BFL		560 x	630			50	195	32,9		35,9	0,3306	BF		300	-		30	20,1	21,8	0,1296		315	-	37		20,7	22,4		0,1377	355	-	57		22	23,7	0,1593		400	-		80	23,6	25,3	0,1836				450	-	105	25,3	28,3			0,2112		550 x	500	-	130			26,8	29,8		0,2332	BFN	600		35	180	28,3	31,3	0,2552	BFN			550	10	155	28,5	31,5	0,2597		560	15	160	28,8	31,8	0,2650			600	35	180	30,2	33,2	0,2862		630	50	195	31,2	34,2	0,3021			650	60	205	31,9	34,9	0,3127		700	85	230	33,6	36,6	0,3392				710	90	235	33,9	36,9	0,3445			750	110	255		35,3	38,3		0,3657			800	135	280		37	40		0,3922	560 x	900	185	330		40,4		43,4	0,4452		BFN	600 x	630	50	195	32,9		35,9	0,3306	BF	1000	235	380	43,9		46,9	0,4982		180	-	-	16	17,7	0,0648		200	-	-	16,7	18,4	0,0756	225		-	-		17,5	19,2	0,0891		250	-	5		18,4	20,1		0,1026	280	-	20	19,4			21,1	0,1188		300	-	30		20,1	21,8	0,1296		315	-		37	20,7	22,4	0,1377				355	-	57	22	23,7	0,1593			400	-	80	23,6	25,3		0,1836	560 x		450	-	105		25,3	28,3	0,2112	BFN	630 x	630		50	195	34	37	0,3477	BF		500	-	130	26,8		29,8	0,2332		550	10	155		28,5	31,5	0,2597		560	15		160	28,8	31,8	0,2650		600	35	180	30,2		33,2	0,2862		630	50	195		31,2	34,2	0,3021		650	60		205	31,9	34,9	0,3127		700	85	230	33,6		36,6	0,3392		710	90	235			33,9	36,9	0,3445	750	110		255		35,3	38,3	0,3657	800	135	280			37	40		0,3922	560 x	900	185		330		40,4	43,4	0,4452	BFN	800			135	280	39,1	42,1	0,4292	BFN	1000	235	380		43,9	46,9		0,4982	180	-	-		16		17,7	0,0648	200	-	-			16,7	18,4	0,0756	225	-	-	17,5	19,2	0,0891		250	-		5	18,4	20,1	0,1026		280		-	20	19,4	21,1	0,1188			300	-	30	20,1	21,8	0,1296			315	-	37	20,7	22,4			0,1377		355	-	57	22			23,7	0,1593		400	-	80		23,6	25,3	0,1836	560 x	450	-		105	25,3	28,3	0,2112	BFN	900			185	330	42,7	45,7	0,4872	BFN			500	-	130	26,8	29,8	0,2332		550	10	155	28,5	31,5	0,2597		560	15	160	28,8	31,8	0,2650			600	35	180	30,2	33,2	0,2862				630	50	195	31,2	34,2		0,3021		650	60	205	31,9	34,9		0,3127		700	85	230		33,6	36,6		0,3392	710	90	235		33,9	36,9			0,3445	750	110	255		35,3		38,3	0,3657	800	135	280	37	40		0,3922		560 x	900	185	330	40,4	43,4		0,4452	BFN	1000	235	380	46,3	49,3			0,5452	BFN	1000	235	380	41,5		44,5	0,4512		180	-	-	15,8	17,5			0,0636		200	-	-	16,5	18,2		0,0742		225	-	-	17,3	19	0,0875	250			-	5	18,2	19,9	0,1007	280		-	20		19,2	20,9	0,1166		300			-	30	19,9	21,6	0,1272		315		-	37	20,4	22,1	0,1352	355		-	57	21,8		23,5	0,1564	400	-	80	23,3		25	0,1802		560 x	450	-		105	25,3			28,3	0,2112		BFN	600 x	630	50	195			35,5	38,5	0,3712	BF	500	-	130	26,8	29,8	0,2332		550	10	155	28,5	31,5	0,2597		560	15		160	28,8	31,8		0,2650	600			35	180		30,2	33,2	0,2862	630	50			195	31,2	34,2	0,3021	650	60	205		31,9	34,9	0,3127	700	85	230		33,6	36,6	0,3392	710	90		235	33,9			36,9	0,3445	750		110	255		35,3	38,3	0,3657	800	135			280	37	40	0,3922	560 x	900	185	330	40,4	43,4	0,4452	BFN	600 x	630	50	195	37,7	40,7	0,4002	BF		1000	235	380		43,9	46,9	0,4982		180	-		-	15,8	17,5	0,0636	200			-	-	16,5	18,2	0,0742	225	-	-	17,3	19	0,0875	250	-	5	18,2	19,9	0,1007		280	-	20	19,2	20,9	0,1166			300	-	30	19,9	21,6		0,1272	315		-	37	20,4		22,1	0,1352	355	-	57	21,8	23,5	0,1564	400	-	80	23,3	25	0,1802	560 x	450	-	105	25,3	28,3	0,2112	BFN	630 x	630		50	195	39,1	42,1	0,4292	BFN		500	-	130	26,8	29,8	0,2332		550	10	155	28,5	31,5	0,2597	560	15	160	28,8	31,8	0,2650	600	35	180	30,2	33,2	0,2862	630	50	195		31,2	34,2	0,3021	650	60	205		31,9	34,9	0,3127	700	85	230		33,6	36,6	0,3392	710	90	235	33,9	36,9	0,3445	750	110	255	35,3	38,3	0,3657	800	135	280	37	40	0,3922	560 x	900	185	330	40,4	43,4	0,4452	BFN	800	135	280	40,3	43,3	0,4514	BFN	1000	235	380	43,9	46,9	0,4982	180	-	-	16	17,7	0,0648	200	-	-	16,7	18,4	0,0756	225	-	-	17,5	19,2	0,0891	250	-	5	18,4	20,1	0,1026	280	-	20	19,4	21,1	0,1188	300	-	30	20,1	21,8	0,1296	315	-	37	20,7	22,4	0,1377	355	-	57	22	23,7	0,1593	400	-	80	23,6	25,3	0,1836																														
	355	-	57	20,6	22,3	0,1416		500 x	400	-	80	22	23,7			0,1632	BFL	560 x	630	50		195		31,6	34,6	0,3078		BF		450	-	105				23,6	26,6	0,1872				500	-	130				25,3	28,3	0,2112				550	10	155				26,9	29,9	0,2352			560	15	160		27,2	30,2	0,2400		600	35	180	28,5	31,5	0,2592	630	50	195	29,5	32,5	0,2736	650	60	205	30,1	33,1	0,2832	700	85	230	31,7	34,7	0,3072	710	90	235	32,1	35,1	0,3120	550 x	750	110		255	33,4		36,4	0,3312		BF	800			135			280			35,7			38,7			0,3726		BFN											800	135	280	35	38	0,3552	900	185	330	38,2	41,2	0,4032	1000	235	380	41,5	44,5	0,4512	180	-	-	15,8	17,5	0,0636	200	-	-	16,5	18,2	0,0742	225	-	-	17,3	19	0,0875	250	-	5	18,2	19,9	0,1007	280	-	20	19,2	20,9	0,1166	300	-	30	19,9	21,6	0,1272											560 x		315			-			37			20,4			22,1			0,1352	BFL		900	185		330	40,9		43,9	0,4536	BFN	355	-	57	21,8	23,5	0,1564	400	-	80	23,3	25	0,1802	450	-	105	25	28	0,2067	500	-	130	26,8	29,8	0,2332	550	10	155	28,5	31,5	0,2597		560	15	160		28,8	31,8		0,2650		600	35		180			30,2	33,2		0,2862			630	50		195			31,2	34,2		0,3021			650	60		205			31,9	34,9		0,3127		550 x	700	85		230		33,6	36,6	0,3392	BF	1000		235	380	44,4	47,4	0,5076	BFN	710	90	235	33,9	36,9	0,3445	750	110	255	35,3	38,3	0,3657	800	135	280	37	40	0,3922	900	185	330	40,4	43,4	0,4452	1000	235	380	43,9	46,9	0,4982	180	-		-	16	17,7	0,0648	200	-	-			16,7	18,4	0,0756	225	-	-				17,5		19,2	0,0891		250	-				5			18,4	20,1			0,1026	560 x			280	-			20	19,4			21,1	0,1188	BFL		560 x	630			50	195		32,9	35,9	0,3306	BF		300	-	30		20,1	21,8		0,1296	315	-	37		20,7	22,4	0,1377		355	-		57	22	23,7	0,1593				400	-	80	23,6	25,3			0,1836			450	-	105			25,3	28,3		0,2112		550 x		500	-	130	26,8	29,8				0,2332	BFN	600	35	180	28,3		31,3	0,2552	BFN	550	10	155			28,5	31,5	0,2597	560	15	160		28,8	31,8	0,2650	600	35	180			30,2	33,2	0,2862	630	50	195		31,2	34,2	0,3021	650	60	205				31,9	34,9	0,3127	700	85	230			33,6	36,6	0,3392		710	90		235			33,9	36,9	0,3445		750	110		255		35,3	38,3	0,3657		800		135	280			37	40	0,3922	560 x	900		185	330		40,4	43,4	0,4452	BFN		600 x	630		50	195	32,9	35,9	0,3306	BF		1000	235	380	43,9	46,9	0,4982	180		-	-		16	17,7	0,0648		200	-	-		16,7	18,4		0,0756	225	-	-	17,5			19,2	0,0891		250	-	5		18,4	20,1	0,1026		280	-		20	19,4	21,1	0,1188				300	-	30	20,1	21,8	0,1296			315	-	37	20,7	22,4		0,1377			355	-	57		22	23,7	0,1593		400	-		80	23,6	25,3	0,1836	560 x			450	-	105	25,3		28,3	0,2112		BFN	630 x	630		50	195	34		37	0,3477		BF	500	-	130		26,8	29,8	0,2332	550		10	155		28,5	31,5	0,2597		560	15	160		28,8	31,8		0,2650	600	35	180		30,2	33,2	0,2862	630		50	195		31,2	34,2	0,3021			650	60	205	31,9	34,9		0,3127		700	85	230	33,6	36,6	0,3392			710	90		235		33,9	36,9		0,3445		750	110	255		35,3			38,3	0,3657	800	135	280		37	40	0,3922		560 x	900		185	330	40,4	43,4		0,4452		BFN	800	135	280	39,1			42,1	0,4292	BFN	1000	235	380	43,9	46,9	0,4982		180	-		-	16	17,7	0,0648		200		-	-	16,7	18,4	0,0756			225	-	-	17,5	19,2	0,0891			250	-	5	18,4	20,1			0,1026		280	-	20	19,4			21,1	0,1188		300	-	30		20,1	21,8	0,1296		315	-		37	20,7	22,4	0,1377		355			-	57	22	23,7	0,1593				400	-	80	23,6	25,3	0,1836		560 x	450	-	105	25,3	28,3		0,2112	BFN	900	185	330	42,7			45,7	0,4872	BFN	500	-	130				26,8	29,8	0,2332	550	10		155		28,5	31,5	0,2597	560	15		160		28,8	31,8	0,2650		600	35		180	30,2	33,2	0,2862		630	50			195	31,2	34,2	0,3021		650		60	205	31,9	34,9	0,3127	700	85		230			33,6	36,6	0,3392	710	90		235		33,9	36,9	0,3445	750	110			255		35,3	38,3	0,3657	800		135	280		37	40	0,3922	560 x	900			185		330	40,4	43,4	0,4452	BFN		1000		235	380	46,3	49,3	0,5452	BFN	1000			235	380	41,5	44,5	0,4512	180		-	-		15,8	17,5	0,0636		200			-	-	16,5	18,2	0,0742		225		-	-	17,3	19	0,0875	250		-	5	18,2		19,9	0,1007	280	-	20	19,2		20,9	0,1166			300	-		30	19,9			21,6	0,1272			315	-	37	20,4			22,1	0,1352	355		-	57	21,8	23,5	0,1564	400		-	80	23,3	25	0,1802	560 x		450	-		105	25,3	28,3		0,2112	BFN			600 x	630		50	195	35,5	38,5	0,3712			BF	500	-	130	26,8	29,8	0,2332		550	10	155	28,5	31,5	0,2597		560	15	160	28,8	31,8		0,2650	600			35	180	30,2		33,2	0,2862		630	50	195	31,2	34,2			0,3021	650	60	205		31,9	34,9	0,3127	700	85	230		33,6	36,6	0,3392	710	90	235	33,9			36,9	0,3445	750		110	255	35,3		38,3	0,3657		800	135	280	37	40			0,3922	560 x	900	185	330	40,4	43,4	0,4452	BFN	600 x	630	50	195	37,7	40,7	0,4002	BF		1000	235	380	43,9	46,9	0,4982			180	-	-	15,8	17,5		0,0636	200		-	-	16,5		18,2	0,0742	225	-	-	17,3	19	0,0875	250	-	5	18,2	19,9	0,1007		280	-	20	19,2	20,9	0,1166		300	-		30	19,9	21,6	0,1272	315			-	37	20,4	22,1	0,1352	355		-	57	21,8	23,5	0,1564	400	-	80	23,3	25	0,1802	560 x	450	-	105	25,3	28,3	0,2112	BFN	630 x	630		50	195	39,1	42,1	0,4292	BFN		500	-	130	26,8	29,8	0,2332		550	10	155	28,5	31,5	0,2597	560	15	160	28,8	31,8	0,2650	600	35	180	30,2	33,2	0,2862	630	50	195		31,2	34,2	0,3021	650	60	205		31,9	34,9	0,3127	700	85	230		33,6	36,6	0,3392	710	90	235	33,9	36,9	0,3445	750	110	255	35,3	38,3	0,3657	800	135	280	37	40	0,3922	560 x	900	185	330	40,4	43,4	0,4452	BFN	800	135	280	40,3	43,3	0,4514	BFN	1000	235	380	43,9	46,9	0,4982	180	-	-	16	17,7	0,0648	200	-	-	16,7	18,4	0,0756	225	-	-	17,5	19,2	0,0891	250	-	5	18,4	20,1	0,1026	280	-	20	19,4	21,1	0,1188	300	-	30	20,1	21,8	0,1296	315	-	37	20,7	22,4	0,1377	355	-	57	22	23,7	0,1593
500 x	400	-	80	22	23,7	0,1632	BFL		560 x	630	50	195	31,6	34,6		0,3078		BF																																																																																																																																																																																																																																																																																																																																																																																																																																																																																																																																																																																																																																																																																																																																																																																																																																																																																																																																																																																																																																																																																																																																																																																																																																																																																																																																																																																																																																																															
	450	-	105	23,6	26,6	0,1872			500	-	130	25,3	28,3	0,2112		550			10	155		26,9		29,9	0,2352	560				15	160	27,2				30,2	0,2400	600				35	180	28,5				31,5	0,2592	630				50	195	29,5	32,5			0,2736	650	60		205	30,1	33,1	0,2832		700	85	230	31,7	34,7	0,3072	710	90	235	32,1	35,1	0,3120	550 x	750	110	255	33,4	36,4	0,3312	BF	800	135	280	35,7	38,7	0,3726	BFN	800	135	280	35	38	0,3552	900		185	330		38,2	41,2		0,4032	1000			235			380			41,5			44,5			0,4512	180		-					-							15,8	17,5	0,0636	200	-	-	16,5	18,2	0,0742	225	-	-	17,3	19	0,0875	250	-	5	18,2	19,9	0,1007	280	-	20	19,2	20,9	0,1166	300	-	30	19,9	21,6	0,1272	560 x	315	-	37	20,4	22,1	0,1352	BFL	900	185	330	40,9	43,9	0,4536	BFN	355	-	57	21,8	23,5	0,1564	400	-							80					23,3		25	0,1802			450			-			105			25			28	0,2067		500	-		130	26,8		29,8	0,2332	550	10	155	28,5	31,5	0,2597	560	15	160	28,8	31,8	0,2650	600	35	180	30,2	33,2	0,2862	630	50	195	31,2	34,2	0,3021	650	60	205	31,9	34,9	0,3127	550 x	700		85	230	33,6	36,6		0,3392	BF		1000	235		380	44,4		47,4			0,5076	BFN		710			90	235		33,9			36,9	0,3445		750			110	255		35,3			38,3	0,3657		800		135	280	37		40		0,3922	900	185	330	40,4		43,4	0,4452	1000	235	380	43,9	46,9	0,4982	180	-	-	16	17,7	0,0648	200	-	-	16,7	18,4	0,0756	225	-	-	17,5	19,2	0,0891	250	-	5	18,4	20,1	0,1026	560 x	280	-	20	19,4	21,1	0,1188	BFL	560 x	630	50	195	32,9	35,9	0,3306	BF	300	-		30	20,1	21,8	0,1296		315	-	37	20,7		22,4			0,1377	355	-		57				22	23,7			0,1593	400			-	80			23,6	25,3			0,1836	450		-	105	25,3			28,3	0,2112	550 x		500	-		130	26,8	29,8	0,2332		BFN	600	35		180	28,3		31,3	0,2552	BFN	550			10	155	28,5	31,5	0,2597	560		15	160			28,8	31,8	0,2650		600	35	180		30,2				33,2	0,2862	630	50	195				31,2		34,2	0,3021	650	60		205	31,9		34,9	0,3127	700			85	230	33,6	36,6	0,3392	710		90	235	33,9	36,9	0,3445	750			110	255	35,3	38,3	0,3657	800		135	280	37	40	0,3922	560 x			900	185	330	40,4	43,4	0,4452	BFN	600 x		630	50	195		32,9	35,9	0,3306	BF			1000	235	380		43,9	46,9		0,4982		180	-	-		16		17,7	0,0648			200	-	-		16,7		18,4	0,0756		225	-	-			17,5	19,2		0,0891	250	-	5	18,4			20,1	0,1026	280	-	20	19,4	21,1		0,1188	300		-	30	20,1	21,8	0,1296	315	-		37	20,7	22,4	0,1377	355	-	57	22		23,7	0,1593	400		-	80	23,6		25,3	0,1836	560 x		450	-		105	25,3	28,3	0,2112				BFN	630 x	630	50	195	34			37	0,3477	BF	500	-		130			26,8	29,8	0,2332		550	10	155		28,5	31,5		0,2597	560	15	160				28,8	31,8	0,2650	600	35	180	30,2			33,2	0,2862	630	50	195	31,2		34,2	0,3021	650		60	205	31,9		34,9	0,3127	700	85		230	33,6		36,6	0,3392	710		90	235	33,9		36,9	0,3445		750	110	255	35,3		38,3	0,3657	800	135		280	37		40	0,3922	560 x			900	185	330	40,4	43,4		0,4452		BFN	800	135	280	39,1	42,1			0,4292	BFN	1000	235		380	43,9		46,9	0,4982	180	-	-		16		17,7	0,0648	200	-	-	16,7		18,4	0,0756	225			-		-	17,5	19,2	0,0891		250			-	5	18,4	20,1			0,1026	280		-	20	19,4	21,1	0,1188	300		-	30		20,1	21,8	0,1296	315		-		37	20,7	22,4	0,1377	355			-	57	22	23,7	0,1593	400	-		80	23,6	25,3	0,1836	560 x	450		-		105	25,3	28,3	0,2112	BFN		900	185		330	42,7	45,7		0,4872	BFN	500		-	130		26,8	29,8	0,2332	550		10			155	28,5	31,5	0,2597	560				15	160	28,8	31,8	0,2650	600			35	180	30,2	33,2	0,2862		630		50	195	31,2	34,2			0,3021	650		60	205	31,9		34,9		0,3127	700	85	230	33,6	36,6	0,3392		710	90	235	33,9	36,9	0,3445	750		110	255	35,3		38,3	0,3657		800	135	280	37		40	0,3922			560 x	900	185	330		40,4		43,4	0,4452	BFN	1000	235	380	46,3		49,3			0,5452	BFN	1000	235	380		41,5		44,5	0,4512	180	-	-			15,8		17,5	0,0636	200	-		-	16,5	18,2	0,0742	225	-		-		17,3	19		0,0875	250	-	5		18,2	19,9		0,1007	280	-	20	19,2		20,9			0,1166	300	-	30	19,9	21,6		0,1272	315		-	37	20,4		22,1			0,1352	355	-	57	21,8		23,5		0,1564	400	-	80	23,3	25		0,1802	560 x	450		-	105	25,3	28,3	0,2112	BFN		600 x	630			50	195	35,5	38,5	0,3712			BF	500	-		130	26,8	29,8	0,2332		550	10	155	28,5		31,5	0,2597	560	15	160	28,8		31,8	0,2650	600	35	180			30,2	33,2		0,2862	630	50		195				31,2	34,2		0,3021	650	60	205	31,9				34,9	0,3127	700	85	230	33,6		36,6	0,3392	710	90	235	33,9		36,9	0,3445	750	110	255		35,3	38,3			0,3657	800	135		280	37		40	0,3922	560 x	900	185			330	40,4	43,4	0,4452		BFN	600 x	630	50	195	37,7		40,7	0,4002	BF	1000	235	380	43,9			46,9	0,4982	180		-	-	15,8		17,5	0,0636		200	-	-	16,5	18,2			0,0742		225	-	-	17,3	19	0,0875		250	-	5	18,2	19,9	0,1007	280			-	20	19,2	20,9	0,1166	300			-	30	19,9	21,6	0,1272		315	-		37	20,4	22,1		0,1352	355	-	57	21,8	23,5	0,1564	400	-	80	23,3	25	0,1802	560 x		450	-	105	25,3	28,3	0,2112		BFN	630 x		630	50	195	39,1	42,1			0,4292	BFN	500	-	130	26,8		29,8	0,2332	550	10	155	28,5	31,5	0,2597	560	15	160		28,8	31,8	0,2650	600	35	180		30,2	33,2		0,2862	630	50	195	31,2			34,2	0,3021	650	60	205	31,9		34,9	0,3127	700	85	230	33,6	36,6	0,3392	710	90	235	33,9	36,9	0,3445	750	110	255	35,3	38,3	0,3657	800		135	280	37	40	0,3922	560 x		900	185	330	40,4	43,4	0,4452		BFN	800	135	280	40,3	43,3	0,4514	BFN	1000	235	380	43,9	46,9	0,4982	180	-	-	16	17,7	0,0648	200		-	-	16,7	18,4	0,0756	225		-	-	17,5	19,2	0,0891	250		-	5	18,4	20,1	0,1026	280	-	20	19,4	21,1	0,1188	300	-	30	20,1	21,8	0,1296	315	-	37	20,7	22,4	0,1377	355	-	57	22	23,7	0,1593	400	-	80	23,6	25,3	0,1836																			
	500	-	130	25,3	28,3	0,2112			550	10	155	26,9	29,9	0,2352		560			15	160		27,2		30,2	0,2400	600				35	180	28,5				31,5	0,2592	630				50	195	29,5				32,5	0,2736	650	60			205	30,1	33,1	0,2832		700	85	230	31,7		34,7	0,3072	710	90	235	32,1	35,1	0,3120	550 x	750	110	255	33,4	36,4	0,3312	BF	800		135	280	35,7	38,7	0,3726	BFN		800	135	280	35	38	0,3552		900	185	330	38,2	41,2	0,4032	1000		235	380		41,5	44,5		0,4512	180			-			-			15,8			17,5	0,0636		200	-		-			16,5		18,2						0,0742	225	-	-	17,3	19	0,0875	250	-	5	18,2	19,9	0,1007	280	-	20	19,2	20,9	0,1166	300	-	30	19,9	21,6	0,1272	560 x	315	-	37	20,4	22,1	0,1352	BFL	900		185	330	40,9	43,9	0,4536	BFN		355	-	57	21,8	23,5	0,1564		400	-	80	23,3	25	0,1802	450	-	105						25		28			0,2067		500	-		130	26,8			29,8			0,2332			550			10	155		28,5	31,5		0,2597	560		15	160	28,8	31,8	0,2650	600	35	180	30,2	33,2	0,2862	630	50	195	31,2	34,2	0,3021	650	60	205	31,9	34,9	0,3127	550 x	700	85	230	33,6	36,6	0,3392	BF	1000		235	380	44,4	47,4	0,5076	BFN		710		90	235	33,9		36,9	0,3445		750	110		255			35,3			38,3	0,3657		800			135	280		37			40	0,3922		900			185	330		40,4		43,4	0,4452	1000		235		380	43,9	46,9	0,4982	180		-	-	16	17,7	0,0648	200	-	-	16,7	18,4	0,0756	225	-	-	17,5	19,2	0,0891	250	-	5	18,4	20,1	0,1026	560 x	280	-	20	19,4	21,1	0,1188	BFL	560 x		630	50	195	32,9	35,9	0,3306		BF	300	-	30	20,1	21,8	0,1296		315	-	37	20,7	22,4	0,1377	355		-	57	22	23,7	0,1593	400		-	80	23,6	25,3		0,1836		450	-	105	25,3			28,3	0,2112	550 x		500	-			130	26,8			29,8	0,2332		BFN	600	35			180	28,3			31,3	0,2552		BFN	550	10	155			28,5	31,5		0,2597	560		15	160		28,8			31,8	0,2650	600	35	180	30,2		33,2	0,2862			630	50	195	31,2	34,2	0,3021	650		60			205	31,9	34,9	0,3127	700	85			230	33,6		36,6	0,3392	710	90		235	33,9		36,9	0,3445	750			110	255	35,3	38,3	0,3657	800		135	280	37	40	0,3922	560 x			900	185	330	40,4	43,4	0,4452		BFN	600 x	630	50	195				32,9	35,9	0,3306	BF	1000	235		380		43,9	46,9	0,4982		180	-	-			16	17,7	0,0648	200		-	-	16,7	18,4		0,0756	225	-		-	17,5	19,2	0,0891			250	-	5		18,4		20,1	0,1026		280	-	20			19,4	21,1		0,1188	300	-	30	20,1			21,8	0,1296	315	-	37	20,7	22,4		0,1377	355		-	57	22	23,7	0,1593	400	-		80	23,6	25,3	0,1836	560 x	450	-	105		25,3	28,3	0,2112		BFN	630 x	630	50	195	34			37	0,3477	BF	500	-	130	26,8			29,8		0,2332	550	10	155	28,5			31,5	0,2597		560	15		160			28,8	31,8	0,2650		600	35	180		30,2	33,2		0,2862	630	50	195				31,2	34,2	0,3021	650	60	205	31,9			34,9	0,3127	700	85	230	33,6		36,6	0,3392	710		90	235	33,9		36,9	0,3445	750	110	255	35,3	38,3		0,3657	800	135	280	37	40	0,3922		560 x	900	185	330	40,4	43,4	0,4452		BFN	800	135	280		39,1	42,1		0,4292	BFN				1000	235	380	43,9	46,9		0,4982			180	-	-	16	17,7			0,0648		200	-		-	16,7		18,4	0,0756	225	-	-		17,5		19,2	0,0891	250	-	5	18,4		20,1	0,1026	280			-	20	19,4	21,1	0,1188	300		-	30		20,1	21,8	0,1296	315		-	37	20,7		22,4	0,1377	355	-	57	22		23,7	0,1593		400	-	80	23,6		25,3		0,1836	560 x	450	-	105			25,3	28,3	0,2112	BFN	900	185	330		42,7	45,7	0,4872	BFN		500		-		130	26,8	29,8	0,2332			550	10		155	28,5	31,5		0,2597		560		15	160	28,8	31,8	0,2650	600	35		180	30,2		33,2	0,2862	630	50	195		31,2		34,2	0,3021	650	60	205	31,9			34,9	0,3127	700	85	230		33,6		36,6	0,3392	710	90			235	33,9		36,9	0,3445	750		110		255	35,3	38,3	0,3657	800	135	280		37	40	0,3922	560 x	900	185	330		40,4	43,4	0,4452		BFN	1000		235	380	46,3	49,3		0,5452	BFN		1000		235	380	41,5		44,5	0,4512	180	-		-	15,8	17,5	0,0636	200	-			-		16,5	18,2	0,0742		225		-	-	17,3	19	0,0875			250		-	5	18,2	19,9		0,1007	280	-	20	19,2	20,9		0,1166		300	-		30	19,9	21,6	0,1272		315	-		37	20,4	22,1	0,1352	355		-			57	21,8	23,5	0,1564	400	-		80	23,3	25	0,1802	560 x	450		-		105	25,3	28,3	0,2112	BFN	600 x		630	50	195	35,5	38,5	0,3712	BF	500		-		130		26,8	29,8	0,2332	550	10			155	28,5			31,5	0,2597	560	15	160				28,8	31,8		0,2650	600	35	180		30,2	33,2	0,2862	630		50	195	31,2	34,2	0,3021	650		60	205	31,9	34,9	0,3127			700	85		230	33,6	36,6	0,3392	710				90	235	33,9	36,9	0,3445	750	110	255		35,3		38,3	0,3657	800	135	280	37		40	0,3922	560 x	900	185	330		40,4	43,4	0,4452	BFN	600 x		630	50			195	37,7	40,7		0,4002	BF		1000	235		380	43,9			46,9	0,4982	180	-			-	15,8	17,5	0,0636	200		-	-		16,5	18,2	0,0742	225			-	-	17,3		19	0,0875	250		-	5		18,2	19,9	0,1007	280	-			20		19,2	20,9	0,1166	300	-	30		19,9	21,6	0,1272	315	-	37	20,4			22,1	0,1352	355	-	57	21,8			23,5	0,1564	400	-	80		23,3	25		0,1802	560 x	450		-	105	25,3	28,3	0,2112	BFN	630 x	630	50	195	39,1	42,1	0,4292			BFN	500	-	130	26,8	29,8			0,2332		550	10	155	28,5	31,5			0,2597		560	15	160	28,8		31,8	0,2650	600	35	180	30,2	33,2	0,2862	630	50	195		31,2	34,2	0,3021	650	60	205		31,9	34,9		0,3127	700	85	230	33,6			36,6	0,3392	710	90	235	33,9		36,9	0,3445	750	110	255	35,3	38,3	0,3657	800	135	280	37	40	0,3922	560 x	900	185	330	40,4	43,4	0,4452		BFN	800	135	280	40,3			43,3	0,4514	BFN	1000	235	380			43,9	46,9	0,4982	180	-	-		16	17,7	0,0648	200	-	-	16,7	18,4	0,0756	225	-	-	17,5		19,2	0,0891	250	-	5	18,4		20,1	0,1026	280	-	20	19,4		21,1	0,1188	300	-	30	20,1	21,8	0,1296	315	-	37	20,7	22,4	0,1377	355	-	57	22	23,7	0,1593	400	-	80	23,6	25,3	0,1836																												
	550	10	155	26,9	29,9	0,2352			560	15	160	27,2	30,2	0,2400		600			35	180		28,5		31,5	0,2592	630				50	195	29,5				32,5	0,2736	650				60	205	30,1	33,1			0,2832	700	85	230		31,7	34,7	0,3072	710	90		235	32,1	35,1	0,3120	550 x	750	110	255	33,4	36,4	0,3312	BF	800		135	280	35,7	38,7	0,3726	BFN		800		135	280	35	38	0,3552			900	185	330	38,2	41,2	0,4032		1000	235	380	41,5	44,5	0,4512	180		-	-		15,8	17,5		0,0636	200			-			-			16,5	18,2		0,0742	225		-	-		17,3	19		0,0875		250					-	5	18,2	19,9	0,1007	280	-	20	19,2	20,9	0,1166	300	-	30	19,9	21,6	0,1272	560 x	315	-	37	20,4	22,1	0,1352	BFL	900		185	330	40,9	43,9	0,4536	BFN		355		-	57	21,8	23,5	0,1564			400	-	80	23,3	25	0,1802		450	-	105	25	28	0,2067	500	-	130	26,8					29,8		0,2332		550	10		155	28,5		31,5	0,2597		560	15			160			28,8			31,8	0,2650		600	35		180	30,2		33,2	0,2862	630	50	195	31,2	34,2	0,3021	650	60	205	31,9	34,9	0,3127	550 x	700	85	230	33,6	36,6	0,3392	BF	1000		235	380	44,4	47,4	0,5076	BFN		710		90	235	33,9	36,9	0,3445		750	110		255	35,3	38,3		0,3657	800	135	280	37		40			0,3922	900		185	330		40,4			43,4	0,4452		1000			235	380		43,9			46,9	0,4982		180		-	-	16		17,7		0,0648	200	-	-	16,7		18,4	0,0756	225	-	-	17,5	19,2	0,0891	250	-	5	18,4	20,1	0,1026	560 x	280	-	20	19,4	21,1	0,1188	BFL	560 x		630	50	195	32,9	35,9	0,3306		BF		300	-	30	20,1	21,8	0,1296			315	-	37	20,7	22,4	0,1377		355	-	57	22	23,7	0,1593	400	-	80	23,6	25,3	0,1836	450	-		105	25,3	28,3	0,2112	550 x	500		-	130	26,8	29,8		0,2332	BFN	600		35	180	28,3		31,3	0,2552	BFN			550	10	155		28,5	31,5			0,2597	560			15	160			28,8	31,8	0,2650			600	35		180	30,2		33,2	0,2862		630			50	195	31,2	34,2	0,3021	650		60	205			31,9	34,9	0,3127	700	85	230	33,6		36,6			0,3392	710	90	235	33,9	36,9		0,3445	750	110		255	35,3	38,3	0,3657	800	135	280		37	40	0,3922		560 x	900	185	330	40,4	43,4	0,4452		BFN	600 x	630	50	195				32,9	35,9	0,3306	BF	1000	235			380	43,9	46,9	0,4982				180	-	-		16	17,7		0,0648		200	-	-		16,7	18,4	0,0756			225	-	-	17,5		19,2	0,0891	250	-		5	18,4	20,1		0,1026	280	-	20	19,4		21,1	0,1188	300		-	30	20,1	21,8		0,1296	315	-		37	20,7	22,4		0,1377	355	-	57	22			23,7	0,1593	400	-	80	23,6	25,3		0,1836	560 x		450	-	105	25,3	28,3	0,2112	BFN		630 x	630	50	195		34	37	0,3477		BF	500	-			130	26,8	29,8	0,2332	550			10	155		28,5	31,5	0,2597	560			15		160	28,8	31,8	0,2650	600	35		180	30,2		33,2	0,2862	630	50			195	31,2	34,2	0,3021	650	60	205		31,9	34,9		0,3127	700	85	230				33,6	36,6	0,3392	710	90	235	33,9			36,9	0,3445	750	110	255	35,3		38,3	0,3657	800		135	280	37		40	0,3922	560 x	900	185	330	40,4		43,4	0,4452	BFN	800	135	280	39,1			42,1	0,4292	BFN	1000	235	380			43,9	46,9	0,4982	180	-	-		16			17,7		0,0648	200	-	-	16,7	18,4	0,0756			225	-	-	17,5	19,2			0,0891		250	-		5	18,4		20,1	0,1026	280	-	20		19,4		21,1	0,1188	300	-	30	20,1		21,8	0,1296	315			-	37	20,7	22,4	0,1377	355		-	57		22	23,7	0,1593	400		-	80	23,6		25,3	0,1836	560 x	450	-	105		25,3	28,3	0,2112	BFN	900	185	330		42,7	45,7	0,4872		BFN	500	-		130	26,8	29,8	0,2332		550	10	155		28,5	31,5	0,2597			560		15		160	28,8	31,8	0,2650			600	35		180	30,2	33,2		0,2862		630		50	195	31,2	34,2	0,3021	650	60		205	31,9		34,9	0,3127	700	85	230		33,6		36,6	0,3392	710	90	235	33,9			36,9	0,3445	750	110	255	35,3	38,3		0,3657	800	135	280	37		40	0,3922		560 x	900	185	330	40,4		43,4	0,4452	BFN	1000	235	380	46,3		49,3	0,5452	BFN		1000	235	380		41,5	44,5	0,4512			180		-	-	15,8	17,5		0,0636			200		-	-	16,5		18,2	0,0742	225	-		-	17,3	19	0,0875	250	-			5		18,2	19,9	0,1007		280		-	20	19,2	20,9	0,1166		300	-		30	19,9	21,6	0,1272	315	-	37	20,4	22,1	0,1352	355		-	57	21,8	23,5		0,1564	400	-	80		23,3	25		0,1802	560 x	450	-	105		25,3			28,3	0,2112	BFN	600 x	630	50		195	35,5	38,5	0,3712		BF		500		-	130	26,8	29,8		0,2332		550	10	155	28,5	31,5	0,2597		560		15		160		28,8	31,8	0,2650	600	35			180	30,2	33,2		0,2862	630	50	195	31,2		34,2		0,3021	650		60	205	31,9	34,9	0,3127	700	85	230	33,6		36,6	0,3392	710	90	235	33,9		36,9	0,3445	750	110	255			35,3	38,3		0,3657	800	135	280	37				40	0,3922	560 x	900	185	330	40,4	43,4		0,4452		BFN	600 x	630	50	195	37,7		40,7	0,4002		BF	1000	235		380	43,9	46,9		0,4982		180	-		-	15,8	17,5	0,0636		200		-	-	16,5		18,2	0,0742		225	-	-	17,3	19			0,0875	250	-	5	18,2		19,9	0,1007		280	-	20	19,2			20,9	0,1166	300		-	30	19,9		21,6	0,1272		315	-	37	20,4	22,1			0,1352		355	-	57	21,8	23,5	0,1564		400	-	80	23,3	25	0,1802	560 x			450	-	105	25,3	28,3	0,2112			BFN	630 x	630	50	195		39,1	42,1		0,4292		BFN		500	-	130	26,8	29,8		0,2332	550	10	155	28,5	31,5	0,2597				560	15	160	28,8	31,8			0,2650		600	35	180	30,2	33,2			0,2862		630	50	195	31,2		34,2	0,3021	650	60	205	31,9	34,9	0,3127	700	85	230		33,6	36,6	0,3392	710	90	235		33,9	36,9		0,3445	750	110	255	35,3			38,3	0,3657	800	135	280	37		40	0,3922	560 x	900	185	330	40,4	43,4	0,4452	BFN	800	135	280	40,3		43,3	0,4514	BFN	1000	235	380			43,9	46,9	0,4982	180			-	-		16	17,7	0,0648			200	-	-	16,7	18,4	0,0756		225	-	-	17,5	19,2	0,0891	250	-	5	18,4	20,1	0,1026	280		-	20	19,4	21,1	0,1188	300		-	30	20,1	21,8	0,1296	315		-	37	20,7	22,4	0,1377	355	-	57	22	23,7	0,1593	400	-	80	23,6	25,3	0,1836																																					
	560	15	160	27,2	30,2	0,2400			600	35	180	28,5	31,5	0,2592		630			50	195		29,5		32,5	0,2736	650				60	205	30,1				33,1	0,2832	700	85			230	31,7	34,7	0,3072		710	90	235	32,1	35,1		0,3120	550 x	750	110	255	33,4	36,4	0,3312	BF	800		135	280	35,7	38,7	0,3726	BFN		800		135	280	35	38	0,3552			900		185	330	38,2	41,2	0,4032			1000	235	380	41,5	44,5	0,4512		180	-	-	15,8	17,5	0,0636	200		-	-		16,5	18,2		0,0742	225			-			-	17,3		19	0,0875		250	-		5	18,2	19,9	0,1007	280		-		20				19,2	20,9	0,1166	300	-	30	19,9	21,6	0,1272	560 x	315	-	37	20,4	22,1	0,1352	BFL	900		185	330	40,9	43,9	0,4536	BFN		355		-	57	21,8	23,5	0,1564			400		-	80	23,3	25	0,1802			450	-	105	25	28	0,2067		500	-	130	26,8	29,8	0,2332	550	10	155	28,5	31,5				0,2597		560		15	160	28,8	31,8	0,2650		600	35		180	30,2		33,2	0,2862			630			50	195		31,2	34,2		0,3021	650		60	205	31,9	34,9	0,3127	550 x	700	85	230	33,6	36,6	0,3392	BF	1000		235	380	44,4	47,4	0,5076	BFN		710		90	235	33,9	36,9	0,3445			750		110	255	35,3	38,3	0,3657		800	135		280	37	40	0,3922	900	185	330	40,4	43,4		0,4452		1000	235	380		43,9	46,9		0,4982	180		-	-		16			17,7	0,0648		200			-	-		16,7		18,4	0,0756	225		-		-	17,5	19,2	0,0891	250		-	5	18,4	20,1	0,1026	560 x	280	-	20	19,4	21,1	0,1188	BFL	560 x		630	50	195	32,9	35,9	0,3306		BF		300	-	30	20,1	21,8	0,1296				315	-	37	20,7	22,4	0,1377			355	-	57	22	23,7	0,1593		400	-	80	23,6	25,3	0,1836	450	-	105	25,3	28,3	0,2112	550 x	500	-	130	26,8	29,8	0,2332		BFN		600	35	180	28,3	31,3	0,2552		BFN		550	10	155		28,5	31,5		0,2597	560	15	160	28,8		31,8	0,2650		600	35	180			30,2	33,2	0,2862		630	50	195			31,2	34,2		0,3021	650		60	205		31,9			34,9	0,3127	700	85	230	33,6		36,6	0,3392			710	90	235	33,9	36,9	0,3445	750		110			255	35,3	38,3	0,3657	800	135		280	37	40		0,3922	560 x	900	185	330	40,4	43,4		0,4452	BFN	600 x	630		50	195	32,9	35,9	0,3306	BF	1000		235	380	43,9	46,9			0,4982	180	-	-		16	17,7			0,0648	200	-	-				16,7	18,4	0,0756		225	-		-		17,5	19,2	0,0891		250	-	5			18,4	20,1	0,1026	280		-	20	19,4	21,1		0,1188	300	-		30	20,1	21,8	0,1296	315		-	37	20,7		22,4	0,1377	355	-		57	22	23,7		0,1593	400	-	80	23,6	25,3	0,1836	560 x	450		-	105	25,3	28,3	0,2112	BFN	630 x	630	50	195			34	37	0,3477	BF	500	-			130	26,8	29,8	0,2332		550	10	155			28,5	31,5			0,2597	560	15	160	28,8			31,8	0,2650		600	35	180	30,2			33,2		0,2862	630	50	195	31,2	34,2		0,3021	650		60	205	31,9	34,9			0,3127	700	85	230	33,6	36,6	0,3392		710	90	235	33,9	36,9	0,3445	750			110	255	35,3	38,3	0,3657	800	135	280	37		40	0,3922	560 x	900	185	330		40,4	43,4	0,4452		BFN	800	135		280	39,1		42,1	0,4292	BFN	1000		235	380		43,9	46,9	0,4982	180			-	-		16	17,7	0,0648			200	-	-	16,7	18,4	0,0756		225			-		-	17,5	19,2	0,0891	250	-	5			18,4	20,1	0,1026	280	-		20	19,4		21,1	0,1188		300	-	30	20,1	21,8	0,1296	315	-		37	20,7	22,4	0,1377	355	-	57	22		23,7	0,1593	400			-	80	23,6	25,3	0,1836	560 x		450	-		105	25,3	28,3	0,2112		BFN	900	185		330	42,7		45,7	0,4872	BFN		500	-	130		26,8	29,8	0,2332		550	10	155			28,5	31,5		0,2597	560	15	160		28,8	31,8	0,2650		600	35	180			30,2	33,2	0,2862		630	50	195	31,2		34,2	0,3021	650		60	205	31,9	34,9	0,3127		700		85	230	33,6	36,6	0,3392	710	90		235	33,9		36,9	0,3445	750	110	255		35,3		38,3	0,3657	800	135	280	37			40	0,3922	560 x	900	185	330	40,4		43,4	0,4452	BFN	1000	235		380	46,3			49,3	0,5452	BFN	1000		235	380		41,5	44,5	0,4512	180		-	-			15,8	17,5	0,0636	200	-	-	16,5			18,2	0,0742	225	-	-	17,3		19		0,0875	250		-	5	18,2		19,9	0,1007	280	-		20	19,2	20,9	0,1166	300	-			30		19,9	21,6	0,1272		315		-	37	20,4	22,1	0,1352		355	-		57	21,8	23,5	0,1564	400	-	80	23,3	25	0,1802	560 x		450	-	105	25,3		28,3	0,2112	BFN	600 x		630	50		195		35,5	38,5	0,3712		BF		500	-	130		26,8	29,8	0,2332	550	10	155	28,5	31,5				0,2597	560	15	160	28,8	31,8		0,2650		600	35	180	30,2	33,2	0,2862		630		50		195		31,2	34,2	0,3021	650	60			205	31,9	34,9		0,3127	700	85	230	33,6		36,6		0,3392	710		90	235	33,9	36,9	0,3445	750	110	255	35,3		38,3	0,3657	800	135	280	37		40	0,3922	560 x	900	185			330	40,4	43,4	0,4452	BFN	600 x	630	50			195	37,7	40,7		0,4002	BF	1000	235	380	43,9	46,9			0,4982	180	-	-	15,8		17,5	0,0636			200	-		-	16,5	18,2		0,0742		225	-		-	17,3	19	0,0875		250		-	5	18,2		19,9	0,1007		280	-	20	19,2	20,9			0,1166	300	-	30	19,9		21,6	0,1272		315	-	37	20,4			22,1	0,1352	355	-	57	21,8	23,5		0,1564	400	-	80	23,3	25	0,1802	560 x		450	-		105	25,3	28,3	0,2112	BFN	630 x		630	50	195	39,1	42,1	0,4292				BFN	500	-	130	26,8	29,8				0,2332	550	10	155		28,5	31,5		0,2597				560	15	160	28,8	31,8		0,2650	600	35	180	30,2	33,2	0,2862				630	50	195	31,2	34,2			0,3021		650	60	205	31,9	34,9			0,3127		700	85	230	33,6		36,6	0,3392	710	90	235	33,9	36,9	0,3445	750	110	255		35,3	38,3	0,3657	800	135	280		37	40		0,3922	560 x	900	185	330			40,4	43,4	0,4452	BFN	800	135		280	40,3		43,3	0,4514	BFN	1000	235	380		43,9	46,9	0,4982	180		-	-		16	17,7	0,0648			200	-	-	16,7			18,4	0,0756		225	-	-			17,5	19,2	0,0891	250	-	5		18,4	20,1	0,1026	280	-	20	19,4	21,1	0,1188	300	-	30	20,1		21,8	0,1296	315	-	37	20,7		22,4	0,1377	355	-	57	22		23,7	0,1593	400	-	80	23,6	25,3	0,1836																																														
	600	35	180	28,5	31,5	0,2592			630	50	195	29,5	32,5	0,2736		650			60	205		30,1		33,1	0,2832	700				85	230	31,7	34,7			0,3072	710	90	235		32,1	35,1	0,3120	550 x	750		110	255	33,4	36,4	0,3312	BF	800		135	280	35,7	38,7	0,3726	BFN		800		135	280	35	38	0,3552			900		185	330	38,2	41,2	0,4032			1000		235	380	41,5	44,5	0,4512			180	-	-	15,8	17,5	0,0636		200	-	-	16,5	18,2	0,0742	225		-	-		17,3	19		0,0875	250			-	5		18,2	19,9		0,1007	280		-	20	19,2	20,9	0,1166	300	-	30		19,9		21,6			0,1272	560 x	315	-	37	20,4	22,1	0,1352	BFL	900		185	330	40,9	43,9	0,4536	BFN		355		-	57	21,8	23,5	0,1564			400		-	80	23,3	25	0,1802			450		-	105	25	28	0,2067			500	-	130	26,8	29,8	0,2332		550	10	155	28,5	31,5	0,2597	560	15	160	28,8	31,8	0,2650			600		35		180	30,2	33,2	0,2862	630	50	195	31,2		34,2	0,3021		650	60		205	31,9			34,9	0,3127		550 x	700		85	230		33,6	36,6	0,3392	BF	1000		235	380	44,4	47,4	0,5076	BFN		710		90	235	33,9	36,9	0,3445			750		110	255	35,3	38,3	0,3657			800		135	280	37	40	0,3922		900	185		330	40,4	43,4	0,4452	1000	235	380	43,9	46,9	0,4982	180		-	-	16		17,7	0,0648	200	-	-		16,7	18,4		0,0756	225		-	-		17,5			19,2	0,0891		250		-	5	18,4		20,1		0,1026	560 x	280	-	20		19,4	21,1	0,1188	BFL	560 x		630	50	195	32,9	35,9	0,3306		BF		300	-	30	20,1	21,8	0,1296				315	-	37	20,7	22,4	0,1377				355	-	57	22	23,7	0,1593			400	-	80	23,6	25,3	0,1836		450	-	105	25,3	28,3	0,2112	550 x	500	-	130	26,8	29,8		0,2332	BFN	600	35	180	28,3			31,3	0,2552	BFN	550	10	155	28,5				31,5	0,2597	560	15	160	28,8		31,8	0,2650	600	35	180		30,2	33,2	0,2862	630	50	195		31,2	34,2	0,3021	650		60	205	31,9	34,9		0,3127	700		85	230	33,6	36,6	0,3392		710			90	235	33,9	36,9	0,3445	750		110	255			35,3	38,3	0,3657	800	135	280	37		40			0,3922	560 x	900	185	330	40,4		43,4	0,4452	BFN		600 x		630	50	195	32,9	35,9		0,3306		BF	1000		235	380	43,9	46,9	0,4982		180		-	-	16	17,7		0,0648	200	-	-	16,7		18,4	0,0756	225		-	-	17,5	19,2			0,0891	250	-	5		18,4	20,1		0,1026		280	-	20		19,4	21,1	0,1188			300	-	30	20,1		21,8	0,1296	315	-		37	20,7	22,4		0,1377	355	-	57	22		23,7	0,1593	400		-	80	23,6	25,3		0,1836	560 x	450		-	105	25,3	28,3	0,2112	BFN	630 x		630		50	195	34	37	0,3477		BF	500	-	130		26,8	29,8	0,2332	550		10	155		28,5	31,5	0,2597	560	15		160	28,8	31,8	0,2650		600	35			180	30,2	33,2	0,2862	630			50	195		31,2	34,2	0,3021	650			60		205	31,9	34,9	0,3127	700	85		230	33,6		36,6	0,3392	710	90			235	33,9	36,9	0,3445	750	110	255		35,3	38,3	0,3657	800	135	280	37			40	0,3922	560 x	900	185	330	40,4	43,4	0,4452		BFN	800		135	280	39,1	42,1	0,4292	BFN	1000			235	380	43,9	46,9	0,4982		180	-		-	16	17,7	0,0648		200	-	-	16,7			18,4	0,0756		225	-	-			17,5	19,2	0,0891	250	-	5		18,4			20,1		0,1026	280	-	20	19,4	21,1	0,1188			300	-	30	20,1	21,8		0,1296	315		-	37		20,7	22,4	0,1377	355	-	57	22	23,7		0,1593	400	-	80	23,6	25,3	0,1836	560 x		450	-	105	25,3		28,3	0,2112	BFN	900	185		330	42,7	45,7		0,4872	BFN	500	-	130		26,8	29,8		0,2332	550		10	155			28,5	31,5	0,2597		560	15	160		28,8	31,8	0,2650			600	35		180	30,2	33,2	0,2862		630	50	195		31,2	34,2	0,3021			650	60	205		31,9	34,9	0,3127	700		85	230	33,6		36,6	0,3392	710	90	235		33,9		36,9	0,3445	750	110	255	35,3	38,3		0,3657	800	135	280	37	40	0,3922	560 x		900	185	330	40,4	43,4	0,4452	BFN	1000	235		380	46,3		49,3	0,5452	BFN	1000		235	380		41,5	44,5		0,4512	180			-	-		15,8		17,5	0,0636		200	-	-	16,5		18,2	0,0742			225	-	-	17,3	19	0,0875	250			-	5	18,2	19,9	0,1007	280		-		20	19,2		20,9	0,1166	300		-	30	19,9	21,6		0,1272	315	-	37	20,4	22,1	0,1352		355		-	57	21,8	23,5	0,1564		400	-	80	23,3	25	0,1802	560 x	450		-	105	25,3	28,3	0,2112	BFN	600 x	630	50	195			35,5	38,5	0,3712	BF		500	-		130		26,8	29,8		0,2332		550	10	155				28,5	31,5	0,2597		560	15	160	28,8	31,8	0,2650	600	35				180	30,2	33,2	0,2862	630	50		195		31,2	34,2	0,3021	650	60	205		31,9		34,9		0,3127	700	85	230	33,6	36,6	0,3392		710	90	235	33,9		36,9	0,3445	750	110	255	35,3	38,3		0,3657	800		135	280	37	40	0,3922	560 x	900	185	330		40,4	43,4	0,4452	BFN	600 x	630		50	195		37,7	40,7			0,4002	BF	1000	235		380	43,9	46,9			0,4982	180	-		-		15,8	17,5	0,0636	200	-			-	16,5	18,2	0,0742	225		-	-			17,3	19		0,0875	250	-		5	18,2	19,9	0,1007		280	-	20	19,2	20,9	0,1166		300	-	30		19,9	21,6	0,1272	315	-	37	20,4	22,1			0,1352	355	-	57	21,8		23,5	0,1564		400	-	80	23,3			25	0,1802	560 x	450	-	105	25,3		28,3	0,2112	BFN	630 x	630	50	195			39,1	42,1		0,4292	BFN	500	-		130		26,8	29,8	0,2332	550	10	155					28,5	31,5	0,2597	560	15	160			28,8	31,8	0,2650	600	35	180	30,2		33,2			0,2862	630	50	195	31,2	34,2		0,3021	650	60	205	31,9	34,9	0,3127				700	85	230	33,6	36,6			0,3392		710	90	235	33,9	36,9			0,3445		750	110	255	35,3		38,3	0,3657	800	135	280	37	40	0,3922	560 x	900	185		330	40,4	43,4	0,4452	BFN	800		135	280		40,3		43,3	0,4514	BFN			1000	235	380		43,9	46,9		0,4982	180		-	-		16	17,7	0,0648		200	-	-	16,7		18,4	0,0756		225	-	-			17,5	19,2	0,0891	250			-	5		18,4	20,1	0,1026			280	-	20	19,4	21,1	0,1188		300	-	30	20,1	21,8	0,1296	315	-	37	20,7	22,4	0,1377	355		-	57	22	23,7	0,1593	400		-	80	23,6	25,3	0,1836																																																								
	630	50	195	29,5	32,5	0,2736			650	60	205	30,1	33,1	0,2832		700			85	230		31,7		34,7	0,3072	710	90			235	32,1	35,1	0,3120		550 x	750	110	255	33,4		36,4	0,3312	BF		800	135	280	35,7	38,7	0,3726	BFN		800		135	280	35	38	0,3552			900		185	330	38,2	41,2	0,4032			1000		235	380	41,5	44,5	0,4512			180		-	-	15,8	17,5	0,0636			200	-	-	16,5	18,2	0,0742		225	-	-	17,3	19	0,0875	250		-	5		18,2	19,9		0,1007	280	-		20	19,2		20,9	0,1166		300	-	30	19,9	21,6	0,1272	560 x	315	-	37	20,4		22,1		0,1352		BFL	900		185	330	40,9	43,9	0,4536	BFN		355		-	57	21,8	23,5	0,1564			400		-	80	23,3	25	0,1802			450		-	105	25	28	0,2067			500		-	130	26,8	29,8	0,2332			550	10	155	28,5	31,5	0,2597		560	15	160	28,8	31,8	0,2650	600	35	180	30,2	33,2	0,2862	630		50		195		31,2	34,2	0,3021	650	60	205	31,9	34,9	0,3127	550 x	700		85	230		33,6	36,6		0,3392	BF	1000			235		380	44,4		47,4	0,5076	BFN		710		90	235	33,9	36,9	0,3445			750		110	255	35,3	38,3	0,3657			800		135	280	37	40	0,3922			900		185	330	40,4	43,4	0,4452		1000	235		380	43,9	46,9	0,4982	180	-	-	16	17,7	0,0648	200		-	-	16,7	18,4	0,0756	225	-	-	17,5		19,2	0,0891	250	-	5		18,4	20,1		0,1026	560 x		280	-		20		19,4	21,1	0,1188		BFL		560 x		630	50	195		32,9	35,9	0,3306		BF		300	-	30	20,1	21,8	0,1296				315	-	37	20,7	22,4	0,1377				355	-	57	22	23,7	0,1593				400	-	80	23,6	25,3	0,1836			450	-	105	25,3	28,3	0,2112		550 x	500	-	130	26,8	29,8		0,2332	BFN	600	35	180		28,3		31,3	0,2552	BFN	550			10	155		28,5	31,5	0,2597	560				15	160	28,8	31,8	0,2650	600		35	180	30,2	33,2	0,2862		630	50	195	31,2	34,2	0,3021		650	60	205	31,9		34,9	0,3127	700	85		230	33,6	36,6	0,3392	710	90	235	33,9		36,9	0,3445		750	110	255	35,3	38,3	0,3657	800	135	280			37	40	0,3922	560 x	900	185	330		40,4			43,4		0,4452	BFN	600 x	630		50	195			32,9		35,9	0,3306	BF	1000	235		380			43,9		46,9	0,4982	180	-	-		16		17,7	0,0648	200	-		-	16,7	18,4	0,0756	225		-	-	17,5		19,2	0,0891	250	-		5	18,4	20,1	0,1026	280		-	20		19,4	21,1	0,1188	300	-		30	20,1	21,8		0,1296	315	-	37	20,7		22,4	0,1377	355	-		57	22	23,7		0,1593	400	-	80	23,6		25,3	0,1836	560 x		450	-	105	25,3		28,3		0,2112		BFN	630 x	630	50	195		34		37		0,3477	BF	500	-	130			26,8	29,8	0,2332		550	10	155	28,5		31,5	0,2597		560	15	160	28,8	31,8		0,2650	600	35	180		30,2	33,2	0,2862		630	50	195	31,2	34,2		0,3021	650	60		205	31,9	34,9	0,3127		700	85		230	33,6	36,6	0,3392	710	90		235	33,9		36,9	0,3445	750	110			255	35,3	38,3	0,3657	800	135	280		37	40	0,3922	560 x	900	185	330			40,4	43,4		0,4452	BFN	800	135	280	39,1			42,1		0,4292	BFN	1000	235	380		43,9			46,9	0,4982	180	-	-		16	17,7		0,0648	200	-	-		16,7	18,4	0,0756	225	-		-	17,5		19,2	0,0891	250	-		5	18,4	20,1	0,1026	280	-	20	19,4			21,1		0,1188	300	-	30	20,1	21,8	0,1296			315	-	37	20,7	22,4		0,1377	355		-	57		22	23,7	0,1593	400	-	80	23,6	25,3		0,1836	560 x	450	-	105	25,3	28,3			0,2112	BFN	900	185		330	42,7		45,7	0,4872		BFN	500	-		130		26,8	29,8	0,2332		550	10		155	28,5		31,5	0,2597		560	15	160	28,8		31,8	0,2650	600	35	180	30,2	33,2			0,2862	630	50	195	31,2	34,2	0,3021		650	60	205		31,9	34,9	0,3127			700	85	230		33,6	36,6	0,3392	710		90	235	33,9		36,9	0,3445	750	110	255		35,3		38,3	0,3657	800	135	280	37	40		0,3922	560 x	900	185	330	40,4	43,4			0,4452	BFN	1000	235	380	46,3		49,3	0,5452		BFN	1000		235	380		41,5		44,5	0,4512		180	-	-	15,8	17,5			0,0636	200		-	-	16,5	18,2		0,0742	225	-	-	17,3	19	0,0875			250	-	5	18,2	19,9	0,1007	280			-	20	19,2	20,9	0,1166	300		-		30	19,9		21,6	0,1272	315		-	37	20,4	22,1		0,1352	355	-	57	21,8	23,5	0,1564		400		-	80	23,3	25	0,1802		560 x	450	-	105	25,3	28,3		0,2112		BFN	600 x	630	50	195		35,5	38,5	0,3712	BF			500	-	130		26,8	29,8	0,2332		550		10	155	28,5	31,5		0,2597	560	15			160	28,8	31,8	0,2650		600	35	180	30,2	33,2	0,2862	630	50				195	31,2	34,2	0,3021	650	60		205		31,9	34,9	0,3127	700	85	230		33,6		36,6		0,3392	710	90	235	33,9	36,9	0,3445		750	110	255	35,3		38,3	0,3657	800	135	280	37	40		0,3922	560 x		900	185	330	40,4	43,4		0,4452	BFN	600 x		630	50	195		37,7	40,7	0,4002	BF	1000		235	380		43,9	46,9		0,4982	180		-	-	15,8		17,5	0,0636	200	-		-		16,5	18,2	0,0742	225	-			-	17,3	19	0,0875	250		-	5			18,2	19,9		0,1007	280	-		20	19,2	20,9	0,1166		300	-	30	19,9	21,6	0,1272		315	-	37		20,4	22,1	0,1352	355	-	57	21,8	23,5			0,1564	400	-	80	23,3		25	0,1802		560 x	450	-	105		25,3	28,3	0,2112		BFN	630 x	630	50	195	39,1	42,1		0,4292	BFN	500	-		130	26,8	29,8		0,2332		550	10		155		28,5	31,5	0,2597	560	15	160					28,8	31,8	0,2650	600	35	180			30,2	33,2	0,2862	630	50	195	31,2		34,2			0,3021	650	60	205	31,9	34,9		0,3127	700	85	230	33,6	36,6	0,3392				710	90	235	33,9	36,9			0,3445	750	110	255	35,3	38,3	0,3657		800	135		280	37	40	0,3922	560 x	900	185	330	40,4	43,4	0,4452	BFN	800		135	280		40,3	43,3	0,4514	BFN		1000		235	380		43,9		46,9	0,4982				180	-	-		16	17,7		0,0648	200		-	-		16,7	18,4	0,0756		225	-	-	17,5		19,2	0,0891		250	-	5			18,4	20,1	0,1026	280			-	20		19,4	21,1	0,1188			300	-	30	20,1	21,8	0,1296		315	-	37	20,7	22,4	0,1377	355	-	57	22	23,7	0,1593	400		-	80	23,6	25,3	0,1836																																																															
	650	60	205	30,1	33,1	0,2832			700	85	230	31,7	34,7	0,3072		710			90	235	32,1	35,1		0,3120	550 x	750	110		255	33,4	36,4	0,3312	BF			800	135	280	35,7	38,7	0,3726	BFN			800	135	280	35	38	0,3552			900		185	330	38,2	41,2	0,4032			1000		235	380	41,5	44,5	0,4512			180		-	-	15,8	17,5	0,0636			200		-	-	16,5	18,2	0,0742			225	-	-	17,3	19	0,0875		250	-	5	18,2	19,9	0,1007	280		-	20		19,2	20,9	0,1166	300	-	30		19,9	21,6		0,1272	560 x	315	-	37	20,4	22,1	0,1352	BFL		900	185	330	40,9		43,9		0,4536	BFN		355		-	57	21,8	23,5	0,1564			400		-	80	23,3	25	0,1802			450		-	105	25	28	0,2067			500		-	130	26,8	29,8	0,2332			550		10	155	28,5	31,5	0,2597			560	15	160	28,8	31,8	0,2650		600	35	180	30,2	33,2	0,2862	630	50	195	31,2	34,2	0,3021	650	60	205		31,9		34,9	0,3127	550 x	700	85	230	33,6	36,6	0,3392		BF	1000	235	380		44,4	47,4		0,5076		BFN	710		90		235	33,9		36,9	0,3445			750		110	255	35,3	38,3	0,3657			800		135	280	37	40	0,3922			900		185	330	40,4	43,4	0,4452			1000		235	380	43,9	46,9	0,4982		180	-		-	16	17,7	0,0648	200	-	-	16,7	18,4	0,0756	225		-	-	17,5	19,2	0,0891	250	-	5	18,4	20,1	0,1026	560 x	280	-	20		19,4	21,1	0,1188	BFL			560 x	630		50	195	32,9	35,9	0,3306				BF		300	-	30		20,1	21,8	0,1296				315	-	37	20,7	22,4	0,1377				355	-	57	22	23,7	0,1593				400	-	80	23,6	25,3	0,1836			450	-	105	25,3	28,3	0,2112	550 x	500		-	130	26,8	29,8	0,2332	BFN	600		35	180	28,3	31,3	0,2552		BFN		550	10	155		28,5		31,5	0,2597		560			15	160		28,8	31,8	0,2650	600				35	180	30,2	33,2	0,2862	630		50	195	31,2	34,2	0,3021		650	60	205	31,9	34,9	0,3127		700	85	230	33,6		36,6	0,3392	710	90		235	33,9	36,9	0,3445	750	110	255	35,3		38,3	0,3657	800	135	280	37	40	0,3922	560 x	900	185	330	40,4		43,4	0,4452	BFN		600 x	630	50	195	32,9			35,9		0,3306		BF	1000		235	380			43,9		46,9	0,4982		180	-		-			16		17,7	0,0648	200	-	-		16,7		18,4	0,0756	225	-		-	17,5	19,2	0,0891	250		-	5	18,4		20,1	0,1026	280	-		20	19,4	21,1	0,1188	300		-	30		20,1	21,8	0,1296	315	-	37	20,7	22,4	0,1377		355	-	57	22	23,7	0,1593	400	-	80	23,6		25,3	0,1836	560 x	450	-	105	25,3	28,3	0,2112		BFN	630 x			630	50	195	34		37		0,3477			BF	500	-	130		26,8		29,8		0,2332		550	10	155			28,5	31,5	0,2597		560	15	160	28,8		31,8	0,2650		600	35	180	30,2	33,2		0,2862	630	50	195		31,2	34,2	0,3021		650	60	205	31,9	34,9		0,3127	700	85		230	33,6	36,6	0,3392	710	90	235		33,9	36,9	0,3445	750	110	255	35,3	38,3	0,3657		800	135	280	37		40	0,3922	560 x	900	185	330	40,4	43,4		0,4452	BFN	800		135	280	39,1			42,1	0,4292		BFN		1000	235	380	43,9			46,9		0,4982		180	-	-		16			17,7	0,0648	200	-	-		16,7	18,4		0,0756	225	-	-		17,5	19,2	0,0891	250	-		5	18,4		20,1	0,1026	280	-		20	19,4	21,1	0,1188	300	-	30	20,1			21,8	0,1296	315	-	37	20,7	22,4	0,1377	355	-		57	22	23,7	0,1593	400	-	80	23,6		25,3	0,1836		560 x	450	-	105	25,3	28,3	0,2112	BFN		900		185	330	42,7	45,7	0,4872			BFN		500	-		130	26,8		29,8	0,2332			550	10		155		28,5	31,5	0,2597		560	15		160	28,8		31,8	0,2650		600	35	180	30,2		33,2	0,2862	630	50	195	31,2	34,2			0,3021	650	60	205	31,9	34,9	0,3127		700	85	230	33,6	36,6	0,3392	710			90	235	33,9	36,9	0,3445	750	110	255		35,3	38,3	0,3657	800	135	280	37	40	0,3922		560 x		900	185	330	40,4	43,4	0,4452	BFN		1000		235	380	46,3	49,3	0,5452			BFN		1000	235	380	41,5		44,5	0,4512			180		-	-		15,8		17,5	0,0636		200	-	-	16,5	18,2			0,0742	225		-	-	17,3	19		0,0875	250	-	5	18,2	19,9	0,1007			280	-	20	19,2	20,9	0,1166	300	-		30	19,9	21,6	0,1272	315	-	37	20,4		22,1	0,1352		355	-	57	21,8	23,5	0,1564	400	-		80	23,3	25	0,1802	560 x	450	-		105		25,3	28,3	0,2112	BFN	600 x			630	50	195	35,5	38,5		0,3712			BF	500	-	130		26,8	29,8	0,2332				550	10	155		28,5	31,5	0,2597		560		15	160	28,8	31,8		0,2650	600	35			180	30,2	33,2	0,2862		630	50	195	31,2	34,2	0,3021	650	60			205	31,9	34,9	0,3127	700	85	230		33,6	36,6	0,3392	710	90	235	33,9	36,9		0,3445	750	110		255	35,3	38,3	0,3657	800	135	280		37	40	0,3922	560 x		900	185	330	40,4	43,4	0,4452	BFN		600 x			630	50	195	37,7	40,7		0,4002		BF		1000	235	380		43,9	46,9	0,4982		180		-	-		15,8	17,5		0,0636	200		-	-	16,5		18,2	0,0742	225	-		-		17,3	19	0,0875	250	-			5	18,2	19,9	0,1007	280	-	20	19,2			20,9	0,1166	300	-	30	19,9		21,6	0,1272	315	-	37	20,4	22,1	0,1352	355	-	57		21,8	23,5	0,1564		400	-	80	23,3	25	0,1802	560 x	450			-	105	25,3	28,3	0,2112		BFN	630 x			630	50	195		39,1	42,1	0,4292			BFN	500	-	130	26,8	29,8		0,2332		550	10		155	28,5	31,5		0,2597		560	15		160		28,8	31,8	0,2650	600	35	180			30,2		33,2	0,2862	630	50	195	31,2	34,2		0,3021	650	60	205	31,9	34,9	0,3127	700	85			230	33,6	36,6	0,3392	710	90		235	33,9	36,9	0,3445	750	110	255				35,3	38,3	0,3657	800	135			280	37	40	0,3922	560 x	900	185		330	40,4		43,4	0,4452	BFN	800		135	280	40,3	43,3	0,4514	BFN		1000		235	380		43,9	46,9	0,4982			180		-	-	16	17,7		0,0648	200			-	-	16,7	18,4		0,0756	225	-	-	17,5		19,2	0,0891		250	-	5		18,4	20,1	0,1026	280		-	20		19,4	21,1	0,1188			300	-	30	20,1			21,8	0,1296		315	-	37			20,7	22,4	0,1377	355	-	57		22	23,7	0,1593	400	-	80	23,6	25,3	0,1836																																																																									
	700	85	230	31,7	34,7	0,3072			710	90	235	32,1	35,1	0,3120	550 x	750			110	255	33,4	36,4	0,3312	BF		800	135		280	35,7	38,7	0,3726		BFN		800	135	280	35	38	0,3552				900	185	330	38,2	41,2	0,4032			1000		235	380	41,5	44,5	0,4512			180		-	-	15,8	17,5	0,0636			200		-	-	16,5	18,2	0,0742			225		-	-	17,3	19	0,0875			250	-	5	18,2	19,9	0,1007		280	-	20	19,2	20,9	0,1166	300		-	30	19,9	21,6	0,1272	560 x	315	-	37		20,4	22,1	0,1352	BFL		900	185	330	40,9	43,9	0,4536			BFN	355	-	57		21,8	23,5	0,1564			400		-	80	23,3	25	0,1802			450		-	105	25	28	0,2067			500		-	130	26,8	29,8	0,2332			550		10	155	28,5	31,5	0,2597			560		15	160	28,8	31,8	0,2650			600	35	180	30,2	33,2	0,2862		630	50	195	31,2	34,2	0,3021	650	60	205	31,9	34,9	0,3127	550 x	700	85	230	33,6		36,6	0,3392		BF	1000	235	380	44,4	47,4			0,5076	BFN	710	90	235	33,9		36,9			0,3445		750	110	255	35,3		38,3	0,3657			800		135	280	37	40	0,3922			900		185	330	40,4	43,4	0,4452			1000		235	380	43,9	46,9	0,4982			180		-	-	16	17,7	0,0648		200	-		-	16,7	18,4	0,0756	225	-	-	17,5	19,2	0,0891	250		-	5	18,4	20,1	0,1026	560 x	280	-	20	19,4	21,1		0,1188	BFL	560 x	630	50	195	32,9				35,9	0,3306	BF	300	-	30	20,1	21,8			0,1296			315	-	37		20,7	22,4	0,1377				355	-	57	22	23,7	0,1593				400	-	80	23,6	25,3	0,1836			450	-	105	25,3	28,3	0,2112	550 x	500		-	130	26,8	29,8	0,2332	BFN		600	35	180	28,3	31,3	0,2552	BFN		550		10	155	28,5	31,5	0,2597				560	15	160		28,8		31,8	0,2650		600			35	180		30,2	33,2	0,2862	630				50	195	31,2	34,2	0,3021	650		60	205	31,9	34,9	0,3127		700	85	230	33,6	36,6	0,3392		710	90	235	33,9		36,9	0,3445	750	110		255	35,3	38,3	0,3657	800	135	280	37		40	0,3922	560 x	900	185	330	40,4	43,4		0,4452	BFN	600 x	630	50	195	32,9			35,9	0,3306	BF	1000	235	380		43,9		46,9			0,4982	180	-	-			16		17,7	0,0648		200	-		-			16,7		18,4	0,0756	225	-	-		17,5		19,2	0,0891	250	-		5	18,4	20,1	0,1026	280		-	20	19,4		21,1	0,1188	300	-		30	20,1	21,8	0,1296	315		-	37		20,7	22,4	0,1377	355	-	57	22	23,7	0,1593		400	-	80	23,6	25,3	0,1836	560 x	450	-	105	25,3	28,3	0,2112		BFN	630 x	630	50	195	34	37		0,3477			BF	500	-	130	26,8	29,8		0,2332				550	10	155		28,5		31,5		0,2597		560	15	160			28,8	31,8	0,2650		600	35	180	30,2		33,2	0,2862		630	50	195	31,2	34,2		0,3021	650	60	205		31,9	34,9	0,3127		700	85	230	33,6	36,6		0,3392	710	90		235	33,9	36,9	0,3445	750	110	255		35,3	38,3	0,3657	800	135	280	37	40	0,3922		560 x	900	185	330	40,4	43,4	0,4452		BFN	800	135	280	39,1	42,1	0,4292		BFN		1000	235	380		43,9	46,9	0,4982				180	-	-	16			17,7		0,0648		200	-	-		16,7			18,4	0,0756	225	-	-		17,5	19,2		0,0891	250	-	5		18,4	20,1	0,1026	280	-		20	19,4		21,1	0,1188	300	-		30	20,1	21,8	0,1296	315	-	37	20,7			22,4	0,1377	355	-	57	22	23,7	0,1593	400	-		80	23,6	25,3	0,1836	560 x	450	-	105		25,3	28,3	0,2112		BFN	900	185	330	42,7	45,7		0,4872	BFN		500	-	130	26,8	29,8		0,2332			550	10		155	28,5		31,5	0,2597			560	15		160		28,8	31,8	0,2650		600	35		180	30,2		33,2	0,2862		630	50	195	31,2		34,2	0,3021	650	60	205	31,9	34,9			0,3127	700	85	230	33,6	36,6	0,3392		710	90	235	33,9	36,9	0,3445	750			110	255	35,3	38,3	0,3657	800	135	280		37	40	0,3922	560 x	900	185	330	40,4	43,4			0,4452	BFN	1000	235	380	46,3	49,3		0,5452	BFN		1000	235	380	41,5	44,5		0,4512			180	-	-	15,8		17,5	0,0636			200		-	-		16,5		18,2	0,0742		225	-	-	17,3	19			0,0875	250		-	5	18,2	19,9		0,1007	280	-	20	19,2	20,9	0,1166			300	-	30	19,9	21,6	0,1272	315	-		37	20,4	22,1	0,1352	355	-	57	21,8		23,5	0,1564		400	-	80	23,3	25	0,1802	560 x	450		-	105	25,3	28,3		0,2112	BFN	600 x	630		50	195	35,5		38,5	0,3712		BF	500	-	130	26,8		29,8	0,2332			550	10	155		28,5	31,5	0,2597				560	15	160		28,8	31,8	0,2650		600		35	180	30,2	33,2		0,2862	630	50			195	31,2	34,2	0,3021		650	60	205	31,9	34,9	0,3127	700	85			230	33,6	36,6	0,3392	710	90	235		33,9	36,9	0,3445	750	110	255	35,3	38,3		0,3657	800	135		280	37	40	0,3922	560 x	900	185		330	40,4	43,4		0,4452	BFN	600 x	630	50	195	37,7			40,7		0,4002	BF	1000	235	380	43,9		46,9			0,4982	180	-	-		15,8	17,5	0,0636		200		-	-		16,5	18,2		0,0742	225		-	-	17,3		19	0,0875	250	-		5		18,2	19,9	0,1007	280	-			20	19,2	20,9	0,1166	300	-	30	19,9			21,6	0,1272	315	-	37	20,4		22,1	0,1352	355	-	57	21,8	23,5	0,1564	400	-	80		23,3	25	0,1802		560 x	450	-	105	25,3	28,3		0,2112	BFN		630 x	630	50	195	39,1	42,1		0,4292			BFN	500	-	130	26,8	29,8	0,2332				550	10	155	28,5	31,5		0,2597		560	15		160	28,8	31,8		0,2650		600	35		180		30,2	33,2	0,2862	630	50	195			31,2		34,2	0,3021	650	60	205	31,9	34,9		0,3127	700	85	230	33,6	36,6	0,3392	710	90			235	33,9	36,9	0,3445	750	110		255	35,3	38,3	0,3657	800	135	280		37		40	0,3922	560 x	900	185	330		40,4	43,4	0,4452	BFN		800	135	280	40,3	43,3		0,4514	BFN		1000		235	380	43,9	46,9	0,4982			180		-	-		16	17,7	0,0648			200		-	-	16,7	18,4		0,0756	225			-	-	17,5	19,2		0,0891	250	-	5	18,4		20,1	0,1026		280	-	20		19,4	21,1	0,1188	300		-	30		20,1	21,8	0,1296	315		-	37	20,7	22,4		0,1377	355	-		57	22	23,7	0,1593		400	-	80	23,6	25,3	0,1836																																																																																			
	710	90	235	32,1	35,1	0,3120		550 x	750	110	255	33,4	36,4	0,3312		BF	800		135	280	35,7	38,7	0,3726			BFN	800	135	280	35	38	0,3552				900	185	330	38,2	41,2	0,4032				1000	235	380	41,5	44,5	0,4512			180		-	-	15,8	17,5	0,0636			200		-	-	16,5	18,2	0,0742			225		-	-	17,3	19	0,0875			250		-	5	18,2	19,9	0,1007			280	-	20	19,2	20,9	0,1166		300	-	30	19,9	21,6	0,1272	560 x	315	-	37	20,4	22,1	0,1352		BFL	900	185	330	40,9	43,9	0,4536			BFN	355	-	57	21,8	23,5				0,1564	400	-	80	23,3	25	0,1802			450		-	105	25	28	0,2067			500		-	130	26,8	29,8	0,2332			550		10	155	28,5	31,5	0,2597			560		15	160	28,8	31,8	0,2650			600		35	180	30,2	33,2	0,2862			630	50	195	31,2	34,2	0,3021		650	60	205	31,9	34,9	0,3127	550 x	700	85	230	33,6	36,6		0,3392	BF	1000	235	380	44,4	47,4			0,5076	BFN	710	90	235			33,9		36,9	0,3445	750	110	255	35,3			38,3		0,3657	800	135	280	37	40	0,3922			900		185	330	40,4	43,4	0,4452			1000		235	380	43,9	46,9	0,4982			180		-	-	16	17,7	0,0648			200		-	-	16,7	18,4	0,0756		225	-		-	17,5	19,2	0,0891	250	-	5	18,4	20,1	0,1026	560 x		280	-	20	19,4	21,1		0,1188	BFL	560 x	630	50		195		32,9	35,9	0,3306	BF	300			-	30	20,1		21,8	0,1296	315	-	37	20,7		22,4			0,1377	355	-	57	22	23,7	0,1593				400	-	80	23,6	25,3	0,1836			450	-	105	25,3	28,3	0,2112	550 x	500		-	130	26,8	29,8	0,2332	BFN		600	35	180	28,3	31,3	0,2552	BFN			550	10	155	28,5	31,5	0,2597			560		15	160	28,8	31,8	0,2650				600	35	180		30,2		33,2	0,2862		630			50	195		31,2	34,2	0,3021	650				60	205	31,9	34,9	0,3127	700		85	230	33,6	36,6	0,3392		710	90	235	33,9	36,9	0,3445		750	110	255	35,3		38,3	0,3657	800	135		280	37	40	0,3922	560 x	900	185	330		40,4	43,4		0,4452	BFN	600 x	630	50		195		32,9	35,9	0,3306	BF	1000			235	380		43,9	46,9	0,4982	180	-		-			16	17,7	0,0648	200		-	-		16,7	18,4		0,0756	225	-	-			17,5		19,2	0,0891	250	-	5		18,4		20,1	0,1026	280	-		20	19,4	21,1	0,1188	300		-	30	20,1		21,8	0,1296	315	-		37	20,7	22,4	0,1377	355		-	57		22	23,7	0,1593	400	-	80	23,6	25,3	0,1836		560 x	450	-	105	25,3	28,3		0,2112	BFN	630 x	630	50	195			34	37	0,3477	BF	500	-		130		26,8		29,8	0,2332	550	10	155		28,5	31,5			0,2597	560	15		160		28,8	31,8	0,2650		600	35	180			30,2	33,2	0,2862		630	50	195	31,2		34,2	0,3021		650	60	205	31,9	34,9		0,3127	700	85	230		33,6	36,6	0,3392		710	90	235	33,9	36,9		0,3445	750	110		255	35,3	38,3	0,3657	800	135	280		37	40	0,3922	560 x	900	185	330	40,4	43,4			0,4452	BFN	800	135	280	39,1			42,1	0,4292	BFN	1000	235	380				43,9	46,9	0,4982	180	-	-	16				17,7	0,0648	200	-	-		16,7		18,4		0,0756	225	-		-	17,5		19,2	0,0891	250	-	5		18,4	20,1		0,1026	280	-	20		19,4	21,1	0,1188	300	-		30	20,1		21,8	0,1296	315	-		37	20,7	22,4	0,1377	355	-	57	22			23,7	0,1593	400	-	80	23,6	25,3	0,1836	560 x	450		-	105	25,3	28,3		0,2112	BFN	900		185	330	42,7			45,7	0,4872	BFN	500	-		130			26,8	29,8	0,2332	550	10		155			28,5	31,5	0,2597	560	15		160	28,8			31,8	0,2650	600	35		180	30,2	33,2		0,2862	630	50	195	31,2		34,2	0,3021		650	60	205	31,9		34,9	0,3127	700	85	230	33,6	36,6			0,3392	710	90	235	33,9	36,9	0,3445		750	110	255	35,3	38,3	0,3657	800			135	280	37	40	0,3922	560 x	900	185		330	40,4	43,4		0,4452	BFN	1000	235	380			46,3		49,3	0,5452	BFN	1000	235		380			41,5	44,5	0,4512	180	-		-			15,8	17,5	0,0636	200		-	-	16,5		18,2		0,0742	225		-	-	17,3	19		0,0875	250	-	5	18,2	19,9		0,1007	280		-	20	19,2	20,9		0,1166	300	-	30	19,9	21,6	0,1272			315	-	37	20,4	22,1	0,1352	355	-		57	21,8	23,5	0,1564	400	-	80	23,3		25	0,1802		560 x	450	-	105	25,3	28,3		0,2112		BFN	600 x	630	50		195		35,5	38,5		0,3712	BF	500		-	130			26,8	29,8	0,2332	550		10	155			28,5	31,5	0,2597		560	15	160			28,8	31,8	0,2650	600		35	180	30,2		33,2	0,2862	630	50	195	31,2		34,2	0,3021	650	60		205	31,9	34,9	0,3127		700	85	230	33,6	36,6	0,3392	710	90			235	33,9	36,9	0,3445	750	110	255		35,3	38,3	0,3657	800	135	280	37	40		0,3922	560 x	900		185	330	40,4	43,4		0,4452	BFN		600 x	630	50		195		37,7	40,7	0,4002	BF	1000			235		380		43,9	46,9	0,4982	180		-			-	15,8	17,5	0,0636		200	-	-		16,5		18,2	0,0742	225	-	-		17,3	19		0,0875	250	-	5	18,2	19,9	0,1007	280		-		20	19,2	20,9	0,1166	300	-		30	19,9	21,6	0,1272	315	-	37	20,4			22,1	0,1352	355	-	57	21,8		23,5	0,1564	400	-	80	23,3	25	0,1802	560 x	450	-		105	25,3	28,3			0,2112	BFN	630 x	630	50		195			39,1	42,1	0,4292	BFN	500	-		130				26,8	29,8	0,2332	550	10	155				28,5	31,5	0,2597	560	15		160		28,8	31,8		0,2650	600	35	180	30,2		33,2	0,2862		630	50	195	31,2	34,2	0,3021	650	60		205	31,9		34,9	0,3127	700	85	230	33,6	36,6		0,3392	710	90	235	33,9	36,9	0,3445	750	110			255	35,3	38,3	0,3657	800	135		280	37	40	0,3922	560 x	900	185		330		40,4	43,4		0,4452	BFN	800		135	280	40,3			43,3	0,4514	BFN	1000	235		380			43,9		46,9	0,4982	180	-	-			16		17,7	0,0648	200	-	-	16,7			18,4	0,0756	225	-	-	17,5		19,2	0,0891		250	-	5	18,4	20,1		0,1026	280	-	20	19,4		21,1	0,1188		300	-	30		20,1	21,8	0,1296	315		-	37		20,7	22,4	0,1377	355		-	57	22	23,7		0,1593	400	-		80	23,6	25,3	0,1836																																																																																										
550 x	750	110	255	33,4	36,4	0,3312	BF		800	135	280	35,7	38,7	0,3726			BFN																																																																																																																																																																																																																																																																																																																																																																																																																																																																																																																																																																																																																																																																																																																																																																																																																																																																																																																																																																																																																																																																																																																																																																																																																																																																																																																																																																																																																																																																
	800	135	280	35	38	0,3552			900	185	330	38,2	41,2	0,4032				1000	235	380	41,5	44,5	0,4512				180	-	-	15,8	17,5	0,0636				200	-	-	16,5	18,2	0,0742				225	-	-	17,3	19	0,0875			250		-	5	18,2	19,9	0,1007			280		-	20	19,2	20,9	0,1166			300		-	30	19,9	21,6	0,1272			560 x	315	-	37	20,4	22,1	0,1352		BFL	900	185	330	40,9	43,9	0,4536	BFN	355	-	57	21,8	23,5	0,1564		400	-	80	23,3	25	0,1802			450	-	105	25	28	0,2067				500	-	130	26,8	29,8				0,2332	550	10	155	28,5	31,5	0,2597			560		15	160	28,8	31,8	0,2650			600		35	180	30,2	33,2	0,2862			630		50	195	31,2	34,2	0,3021			650		60	205	31,9	34,9	0,3127			550 x	700	85	230	33,6	36,6	0,3392		BF	1000	235	380	44,4	47,4	0,5076	BFN	710	90	235	33,9	36,9	0,3445		750	110	255	35,3	38,3		0,3657		800	135	280	37	40			0,3922		900	185	330			40,4		43,4	0,4452	1000	235	380	43,9			46,9		0,4982	180	-	-	16	17,7	0,0648			200		-	-	16,7	18,4	0,0756			225		-	-	17,5	19,2	0,0891			250		-	5	18,4	20,1	0,1026			560 x	280	-	20	19,4	21,1	0,1188		BFL	560 x	630	50	195	32,9	35,9	0,3306	BF	300	-	30	20,1		21,8	0,1296	315	-	37	20,7		22,4		0,1377	355	-		57		22	23,7	0,1593		400			-	80	23,6		25,3	0,1836	450	-	105	25,3		28,3		0,2112	550 x	500	-	130	26,8	29,8	0,2332	BFN		600	35	180	28,3	31,3	0,2552	BFN	550	10	155	28,5	31,5	0,2597	560	15		160	28,8	31,8	0,2650	600	35	180			30,2	33,2	0,2862	630	50	195				31,2	34,2	0,3021	650	60	205			31,9		34,9	0,3127	700	85	230				33,6	36,6	0,3392		710		90	235		33,9			36,9	0,3445		750	110	255	35,3				38,3	0,3657	800	135	280	37		40	0,3922	560 x	900	185		330	40,4	43,4	0,4452	BFN	600 x	630	50	195	32,9	35,9		0,3306	BF	1000	235	380	43,9	46,9	0,4982	180		-	-	16	17,7	0,0648	200		-		-	16,7	18,4		0,0756		225	-	-		17,5			19,2	0,0891		250	-	5	18,4	20,1		0,1026			280	-	20	19,4		21,1	0,1188		300	-		30	20,1	21,8	0,1296			315		-	37	20,7	22,4	0,1377		355		-	57	22	23,7		0,1593	400	-	80	23,6		25,3	0,1836	560 x		450	-	105	25,3	28,3	0,2112	BFN	630 x	630	50		195	34	37	0,3477	BF	500	-	130	26,8	29,8	0,2332	550	10		155	28,5	31,5	0,2597	560		15		160	28,8	31,8	0,2650			600	35	180		30,2	33,2		0,2862		630		50	195	31,2	34,2	0,3021		650	60			205	31,9	34,9		0,3127		700	85	230		33,6	36,6	0,3392			710	90	235		33,9	36,9	0,3445	750		110	255		35,3	38,3	0,3657	800	135		280	37	40	0,3922		560 x	900	185		330	40,4	43,4	0,4452	BFN	800	135	280	39,1		42,1	0,4292	BFN	1000	235	380	43,9	46,9	0,4982	180	-		-	16	17,7	0,0648	200	-		-		16,7	18,4	0,0756	225			-	-		17,5	19,2	0,0891				250	-	5	18,4	20,1	0,1026	280				-	20	19,4	21,1	0,1188		300		-		30	20,1	21,8		0,1296	315		-	37	20,7	22,4	0,1377		355	-		57	22	23,7	0,1593		400	-	80	23,6	25,3		0,1836	560 x		450	-	105	25,3		28,3	0,2112	BFN	900	185	330	42,7	45,7		0,4872	BFN	500	-	130	26,8	29,8	0,2332	550		10	155	28,5	31,5	0,2597	560		15		160	28,8	31,8	0,2650	600			35	180		30,2	33,2		0,2862			630	50	195	31,2	34,2		0,3021			650	60	205	31,9	34,9		0,3127	700			85	230	33,6	36,6		0,3392	710	90		235	33,9	36,9	0,3445	750		110	255		35,3	38,3	0,3657	800		135	280	37	40	0,3922	560 x	900			185	330	40,4	43,4	0,4452	BFN	1000		235	380	46,3	49,3	0,5452	BFN	1000		235	380	41,5	44,5	0,4512	180		-	-	15,8	17,5	0,0636	200		-		-	16,5	18,2	0,0742		225		-	-		17,3	19		0,0875			250	-	5	18,2	19,9		0,1007			280	-	20	19,2		20,9	0,1166	300		-		30	19,9		21,6	0,1272	315	-		37	20,4	22,1	0,1352	355	-		57	21,8		23,5	0,1564	400	-		80	23,3	25	0,1802	560 x	450	-			105	25,3	28,3	0,2112	BFN	600 x	630	50		195	35,5	38,5	0,3712	BF	500	-	130		26,8	29,8	0,2332		550	10	155	28,5	31,5		0,2597	560		15	160	28,8		31,8		0,2650	600	35	180		30,2		33,2	0,2862			630	50	195	31,2		34,2	0,3021			650	60	205		31,9	34,9	0,3127			700	85	230	33,6		36,6	0,3392	710		90	235	33,9	36,9	0,3445	750		110	255	35,3	38,3		0,3657	800	135	280		37	40	0,3922	560 x	900	185	330	40,4			43,4	0,4452	BFN	600 x	630	50	195		37,7	40,7	0,4002	BF	1000	235	380	43,9		46,9		0,4982	180	-	-	15,8	17,5		0,0636		200	-	-	16,5		18,2		0,0742	225	-		-		17,3	19		0,0875		250	-	5	18,2		19,9			0,1007	280	-	20		19,2	20,9	0,1166		300		-	30	19,9	21,6	0,1272		315	-		37	20,4	22,1	0,1352	355	-	57	21,8		23,5		0,1564	400	-	80	23,3	25		0,1802	560 x	450	-	105	25,3	28,3	0,2112			BFN	630 x	630	50	195	39,1		42,1	0,4292	BFN	500	-	130	26,8	29,8		0,2332	550		10	155	28,5	31,5		0,2597		560	15	160		28,8		31,8	0,2650	600	35		180	30,2		33,2	0,2862			630	50	195	31,2	34,2	0,3021				650	60	205	31,9	34,9		0,3127		700	85		230	33,6	36,6	0,3392	710		90	235		33,9	36,9	0,3445	750	110	255	35,3	38,3		0,3657	800		135	280	37	40	0,3922	560 x	900		185	330	40,4	43,4	0,4452	BFN	800	135	280			40,3	43,3	0,4514	BFN	1000	235		380	43,9	46,9	0,4982		180	-	-	16		17,7	0,0648		200		-	-	16,7	18,4	0,0756			225	-		-	17,5	19,2	0,0891			250		-	5	18,4	20,1	0,1026			280		-	20	19,4	21,1	0,1188	300			-	30	20,1	21,8	0,1296	315		-	37		20,7	22,4	0,1377	355	-		57	22	23,7	0,1593	400		-	80		23,6	25,3	0,1836																																																																																																																					
	900	185	330	38,2	41,2	0,4032			1000	235	380	41,5	44,5	0,4512				180	-	-	15,8	17,5	0,0636				200	-	-	16,5	18,2	0,0742				225	-	-	17,3	19	0,0875				250	-	5	18,2	19,9	0,1007			280		-	20	19,2	20,9	0,1166			300		-	30	19,9	21,6	0,1272			560 x	315	-	37	20,4	22,1	0,1352		BFL		900	185	330	40,9	43,9	0,4536	BFN		355	-	57	21,8	23,5	0,1564		400	-	80	23,3	25	0,1802		450	-	105	25	28	0,2067			500	-	130	26,8	29,8	0,2332				550	10	155	28,5	31,5				0,2597	560	15	160	28,8	31,8	0,2650			600		35	180	30,2	33,2	0,2862			630		50	195	31,2	34,2	0,3021			650		60	205	31,9	34,9	0,3127			550 x	700	85	230	33,6	36,6	0,3392		BF		1000	235	380	44,4	47,4	0,5076	BFN		710	90	235	33,9	36,9	0,3445		750	110	255	35,3	38,3	0,3657		800	135	280	37	40		0,3922		900	185	330	40,4	43,4			0,4452		1000	235	380			43,9		46,9	0,4982	180	-	-	16			17,7		0,0648	200	-	-	16,7	18,4	0,0756			225		-	-	17,5	19,2	0,0891			250		-	5	18,4	20,1	0,1026			560 x	280	-	20	19,4	21,1	0,1188		BFL		560 x	630	50	195	32,9	35,9	0,3306		BF	300	-	30	20,1	21,8	0,1296		315	-	37	20,7		22,4	0,1377	355	-	57	22		23,7		0,1593	400	-		80		23,6	25,3	0,1836		450		-	105	25,3	28,3		0,2112	550 x	500	-	130	26,8	29,8	0,2332		BFN		600	35	180	28,3	31,3	0,2552		BFN	550	10	155	28,5	31,5	0,2597		560	15	160	28,8	31,8	0,2650	600	35		180	30,2	33,2	0,2862	630	50	195			31,2	34,2	0,3021	650	60	205				31,9	34,9	0,3127	700	85	230			33,6		36,6	0,3392	710	90	235				33,9	36,9	0,3445		750		110	255		35,3			38,3	0,3657		800	135	280	37			40	0,3922	560 x	900	185	330	40,4		43,4	0,4452		BFN	600 x	630	50	195	32,9	35,9		0,3306	BF	1000	235	380	43,9	46,9	0,4982		180	-	-	16	17,7	0,0648	200		-	-	16,7	18,4	0,0756	225		-		-	17,5	19,2		0,0891		250	-	5		18,4			20,1	0,1026		280	-	20	19,4	21,1		0,1188			300	-	30	20,1		21,8	0,1296		315	-		37	20,7	22,4	0,1377			355		-	57	22	23,7	0,1593		400		-	80	23,6	25,3	0,1836	560 x	450	-	105	25,3		28,3	0,2112		BFN	630 x	630	50	195	34	37		0,3477	BF	500	-	130	26,8	29,8	0,2332		550	10	155	28,5	31,5	0,2597	560	15		160	28,8	31,8	0,2650	600		35		180	30,2	33,2	0,2862			630	50	195		31,2	34,2		0,3021		650		60	205	31,9	34,9	0,3127		700	85			230	33,6	36,6		0,3392		710	90	235		33,9	36,9	0,3445			750	110	255		35,3	38,3	0,3657	800		135	280		37	40	0,3922	560 x	900	185	330	40,4	43,4	0,4452			BFN	800	135	280	39,1	42,1	0,4292		BFN	1000	235	380	43,9	46,9	0,4982		180	-	-	16	17,7	0,0648	200	-		-	16,7	18,4	0,0756	225	-		-		17,5	19,2	0,0891	250			-	5		18,4	20,1	0,1026				280	-	20	19,4	21,1	0,1188	300				-	30	20,1	21,8	0,1296		315		-		37	20,7	22,4		0,1377	355		-	57	22	23,7	0,1593		400	-		80	23,6	25,3	0,1836		560 x	450	-	105	25,3	28,3	0,2112			BFN	900	185	330	42,7	45,7	0,4872		BFN	500	-	130	26,8	29,8	0,2332		550	10	155	28,5	31,5	0,2597	560		15	160	28,8	31,8	0,2650	600		35		180	30,2	33,2	0,2862	630			50	195		31,2	34,2		0,3021			650	60	205	31,9	34,9		0,3127			700	85	230	33,6	36,6		0,3392	710			90	235	33,9	36,9		0,3445	750	110		255	35,3	38,3	0,3657	800		135	280		37	40	0,3922	560 x		900	185	330	40,4	43,4		0,4452	BFN		1000	235	380	46,3	49,3		0,5452	BFN	1000	235	380	41,5	44,5		0,4512	180	-	-	15,8	17,5	0,0636	200		-	-	16,5	18,2	0,0742	225		-		-	17,3	19	0,0875		250		-	5		18,2	19,9		0,1007			280	-	20	19,2	20,9		0,1166			300	-	30	19,9		21,6	0,1272	315		-		37	20,4		22,1	0,1352	355	-		57	21,8	23,5	0,1564	400	-		80	23,3		25	0,1802	560 x	450		-	105	25,3	28,3		0,2112	BFN		600 x	630	50	195	35,5		38,5	0,3712	BF	500	-	130	26,8	29,8		0,2332	550	10	155	28,5	31,5	0,2597		560	15	160	28,8	31,8		0,2650	600		35	180	30,2		33,2		0,2862	630	50	195		31,2		34,2	0,3021			650	60	205	31,9		34,9	0,3127			700	85	230		33,6	36,6	0,3392			710	90	235	33,9		36,9	0,3445	750		110	255	35,3	38,3	0,3657	800		135	280	37	40		0,3922	560 x	900	185		330	40,4	43,4		0,4452	BFN	600 x	630	50		195	37,7		40,7	0,4002	BF	1000	235	380	43,9	46,9		0,4982	180	-	-	15,8	17,5		0,0636	200	-	-	16,5	18,2		0,0742		225	-	-	17,3		19		0,0875	250	-		5		18,2	19,9		0,1007		280	-	20	19,2		20,9			0,1166	300	-	30		19,9	21,6	0,1272		315		-	37	20,4	22,1	0,1352		355	-		57	21,8	23,5	0,1564	400	-	80	23,3		25		0,1802	560 x	450	-	105	25,3		28,3		0,2112	BFN	630 x	630	50	195	39,1			42,1	0,4292	BFN	500	-	130	26,8	29,8		0,2332	550	10	155	28,5		31,5	0,2597	560	15	160	28,8	31,8		0,2650		600	35	180		30,2		33,2	0,2862	630	50		195	31,2		34,2	0,3021			650	60	205	31,9	34,9	0,3127				700	85	230	33,6	36,6		0,3392		710	90		235	33,9	36,9	0,3445	750		110	255		35,3	38,3	0,3657	800	135	280	37	40		0,3922	560 x		900	185	330	40,4	43,4		0,4452		BFN	800	135	280	40,3		43,3	0,4514	BFN	1000		235	380	43,9		46,9	0,4982	180	-	-	16	17,7		0,0648	200	-	-	16,7	18,4	0,0756		225		-	-	17,5	19,2	0,0891			250	-		5	18,4	20,1	0,1026			280		-	20	19,4	21,1	0,1188			300		-	30	20,1	21,8	0,1296	315			-	37	20,7	22,4	0,1377	355		-	57		22	23,7	0,1593	400	-		80	23,6	25,3	0,1836																																																																																																																													
	1000	235	380	41,5	44,5	0,4512			180	-	-	15,8	17,5	0,0636				200	-	-	16,5	18,2	0,0742				225	-	-	17,3	19	0,0875				250	-	5	18,2	19,9	0,1007				280	-	20	19,2	20,9	0,1166			300		-	30	19,9	21,6	0,1272			560 x	315	-	37	20,4	22,1	0,1352		BFL		900	185	330	40,9	43,9	0,4536	BFN			355	-	57	21,8	23,5	0,1564			400	-	80	23,3	25	0,1802		450	-	105	25	28	0,2067		500	-	130	26,8	29,8	0,2332			550	10	155	28,5	31,5	0,2597				560	15	160	28,8	31,8				0,2650	600	35	180	30,2	33,2	0,2862			630		50	195	31,2	34,2	0,3021			650		60	205	31,9	34,9	0,3127			550 x	700	85	230	33,6	36,6	0,3392		BF		1000	235	380	44,4	47,4	0,5076	BFN			710	90	235	33,9	36,9	0,3445			750	110	255	35,3	38,3	0,3657		800	135	280	37	40	0,3922		900	185	330	40,4	43,4		0,4452		1000	235	380	43,9	46,9			0,4982		180	-	-			16		17,7	0,0648	200	-	-	16,7			18,4		0,0756	225	-	-	17,5	19,2	0,0891			250		-	5	18,4	20,1	0,1026			560 x	280	-	20	19,4	21,1	0,1188		BFL		560 x	630	50	195	32,9	35,9	0,3306			BF	300	-	30	20,1	21,8	0,1296			315	-	37	20,7	22,4	0,1377		355	-	57	22		23,7	0,1593	400	-	80	23,6		25,3		0,1836	450	-	105	25,3		28,3	0,2112	550 x		500	-	130	26,8	29,8	0,2332		BFN		600	35	180	28,3	31,3	0,2552	BFN			550	10	155	28,5	31,5	0,2597			560	15	160	28,8	31,8	0,2650		600	35	180	30,2	33,2	0,2862	630	50		195	31,2	34,2	0,3021	650	60	205			31,9	34,9	0,3127	700	85	230				33,6	36,6	0,3392	710	90	235			33,9		36,9	0,3445	750	110	255				35,3	38,3	0,3657		800		135	280		37	40		0,3922	560 x		900	185	330	40,4	43,4		0,4452	BFN		600 x	630	50	195	32,9	35,9	0,3306			BF	1000	235	380	43,9	46,9		0,4982		180	-	-	16	17,7	0,0648		200	-	-	16,7	18,4	0,0756	225		-	-	17,5	19,2	0,0891	250		-		5	18,4	20,1		0,1026		280	-	20		19,4			21,1	0,1188		300	-	30	20,1	21,8		0,1296			315	-	37	20,7		22,4	0,1377		355	-		57	22	23,7	0,1593			400	-	80	23,6	25,3	0,1836	560 x		450	-	105	25,3	28,3	0,2112	BFN		630 x	630	50	195	34	37	0,3477			BF	500	-	130	26,8	29,8		0,2332		550	10	155	28,5	31,5	0,2597		560	15	160	28,8	31,8	0,2650	600	35		180	30,2	33,2	0,2862	630		50		195	31,2	34,2	0,3021			650	60	205		31,9	34,9		0,3127		700		85	230	33,6	36,6	0,3392		710	90			235	33,9	36,9		0,3445		750	110	255		35,3	38,3	0,3657			800	135	280	37	40	0,3922	560 x	900		185	330	40,4	43,4	0,4452	BFN		800	135	280	39,1	42,1	0,4292	BFN			1000	235	380	43,9	46,9	0,4982			180	-	-	16	17,7	0,0648		200	-	-	16,7	18,4	0,0756	225	-		-	17,5	19,2	0,0891	250	-		5		18,4	20,1	0,1026	280			-	20		19,4	21,1	0,1188				300	-	30	20,1	21,8	0,1296	315				-	37	20,7	22,4	0,1377		355		-		57	22	23,7		0,1593	400		-	80	23,6	25,3	0,1836	560 x	450	-		105	25,3	28,3	0,2112	BFN		900	185	330	42,7	45,7	0,4872		BFN		500	-	130	26,8	29,8	0,2332			550	10	155	28,5	31,5	0,2597		560	15	160	28,8	31,8	0,2650	600		35	180	30,2	33,2	0,2862	630		50		195	31,2	34,2	0,3021	650			60	205		31,9	34,9		0,3127			700	85	230	33,6	36,6		0,3392			710	90	235	33,9	36,9		0,3445	750			110	255	35,3	38,3		0,3657	800	135		280	37	40	0,3922	560 x	900	185	330		40,4	43,4	0,4452		BFN	1000	235	380	46,3	49,3		0,5452		BFN	1000	235	380	41,5	44,5		0,4512		180	-	-	15,8	17,5		0,0636	200	-	-	16,5	18,2	0,0742	225		-	-	17,3	19	0,0875	250		-		5	18,2	19,9	0,1007		280		-	20		19,2	20,9		0,1166			300	-	30	19,9	21,6		0,1272			315	-	37	20,4		22,1	0,1352	355		-		57	21,8		23,5	0,1564	400	-		80	23,3	25	0,1802	560 x	450	-	105	25,3		28,3	0,2112		BFN	600 x	630	50	195	35,5		38,5		0,3712	BF	500	-	130	26,8		29,8	0,2332		550	10	155	28,5	31,5		0,2597	560	15	160	28,8	31,8	0,2650		600	35	180	30,2	33,2		0,2862	630		50	195	31,2		34,2		0,3021	650	60	205		31,9		34,9	0,3127			700	85	230	33,6		36,6	0,3392			710	90	235		33,9	36,9	0,3445			750	110	255	35,3		38,3	0,3657	800		135	280	37	40	0,3922	560 x	900	185	330	40,4	43,4		0,4452		BFN	600 x	630	50	195	37,7		40,7		0,4002	BF	1000	235	380	43,9		46,9	0,4982		180	-	-	15,8	17,5		0,0636	200	-	-	16,5	18,2		0,0742	225	-	-	17,3	19		0,0875		250	-	5	18,2		19,9		0,1007	280	-		20		19,2	20,9		0,1166		300	-	30	19,9		21,6			0,1272	315	-	37		20,4	22,1	0,1352		355		-	57	21,8	23,5	0,1564		400	-		80	23,3	25	0,1802	560 x	450	-	105	25,3	28,3		0,2112		BFN	630 x	630	50	195	39,1		42,1		0,4292	BFN	500	-	130	26,8		29,8	0,2332		550	10	155	28,5	31,5		0,2597	560	15	160	28,8		31,8	0,2650	600	35	180	30,2	33,2		0,2862		630	50	195		31,2		34,2	0,3021	650	60		205	31,9		34,9	0,3127			700	85	230	33,6	36,6	0,3392				710	90	235	33,9	36,9		0,3445		750	110		255	35,3	38,3	0,3657	800		135	280		37	40	0,3922	560 x	900	185	330	40,4	43,4	0,4452			BFN	800	135	280	40,3		43,3	0,4514		BFN	1000	235	380		43,9	46,9		0,4982	180	-	-	16		17,7	0,0648	200	-	-	16,7	18,4		0,0756	225	-	-	17,5	19,2	0,0891		250		-	5	18,4	20,1	0,1026			280	-		20	19,4	21,1	0,1188			300		-	30	20,1	21,8	0,1296			315		-	37	20,7	22,4	0,1377	355			-	57	22	23,7	0,1593	400		-	80		23,6	25,3	0,1836																																																																																																																																				
	180	-	-	15,8	17,5	0,0636			200	-	-	16,5	18,2	0,0742				225	-	-	17,3	19	0,0875				250	-	5	18,2	19,9	0,1007				280	-	20	19,2	20,9	0,1166				300	-	30	19,9	21,6	0,1272			560 x	315	-	37	20,4	22,1	0,1352		BFL		900	185	330	40,9	43,9	0,4536	BFN			355	-	57	21,8	23,5	0,1564				400	-	80	23,3	25	0,1802			450	-	105	25	28	0,2067		500	-	130	26,8	29,8	0,2332		550	10	155	28,5	31,5	0,2597			560	15	160	28,8	31,8	0,2650				600	35	180	30,2	33,2				0,2862	630	50	195	31,2	34,2	0,3021			650		60	205	31,9	34,9	0,3127			550 x	700	85	230	33,6	36,6	0,3392		BF		1000	235	380	44,4	47,4	0,5076	BFN			710	90	235	33,9	36,9	0,3445				750	110	255	35,3	38,3	0,3657			800	135	280	37	40	0,3922		900	185	330	40,4	43,4	0,4452		1000	235	380	43,9	46,9		0,4982		180	-	-	16	17,7			0,0648		200	-	-			16,7		18,4	0,0756	225	-	-	17,5			19,2		0,0891	250	-	5	18,4	20,1	0,1026			560 x	280	-	20	19,4	21,1	0,1188		BFL		560 x	630	50	195	32,9	35,9	0,3306			BF	300	-	30	20,1	21,8	0,1296				315	-	37	20,7	22,4	0,1377			355	-	57	22	23,7	0,1593		400	-	80	23,6		25,3	0,1836	450	-	105	25,3	28,3	0,2112		550 x	500	-	130	26,8	29,8	0,2332	BFN			600	35	180	28,3	31,3	0,2552	BFN			550	10	155	28,5	31,5	0,2597				560	15	160	28,8	31,8	0,2650			600	35	180	30,2	33,2	0,2862		630	50	195	31,2	34,2	0,3021	650	60		205	31,9	34,9	0,3127	700	85	230			33,6	36,6	0,3392	710	90	235				33,9	36,9	0,3445	750	110	255			35,3		38,3	0,3657	800	135	280				37	40	0,3922	560 x	900		185	330		40,4	43,4	0,4452	BFN			600 x	630	50	195	32,9	35,9	0,3306			BF	1000	235	380	43,9	46,9	0,4982				180	-	-	16	17,7		0,0648		200	-	-	16,7	18,4	0,0756		225	-	-	17,5	19,2	0,0891	250		-	5	18,4	20,1	0,1026	280		-		20	19,4	21,1		0,1188		300	-	30		20,1			21,8	0,1296		315	-	37	20,7	22,4		0,1377			355	-	57	22		23,7	0,1593	400	-	80		23,6	25,3	0,1836	560 x	450		-	105	25,3	28,3	0,2112	BFN		630 x	630	50	195	34	37	0,3477			BF	500	-	130	26,8	29,8	0,2332				550	10	155	28,5	31,5		0,2597		560	15	160	28,8	31,8	0,2650		600	35	180	30,2	33,2	0,2862	630	50		195	31,2	34,2	0,3021	650		60		205	31,9	34,9	0,3127			700	85	230		33,6	36,6		0,3392		710		90	235	33,9	36,9	0,3445		750	110			255	35,3	38,3		0,3657	800	135	280	37		40	0,3922	560 x	900		185	330	40,4	43,4	0,4452	BFN		800	135	280	39,1	42,1	0,4292	BFN			1000	235	380	43,9	46,9	0,4982				180	-	-	16	17,7	0,0648			200	-	-	16,7	18,4	0,0756		225	-	-	17,5	19,2	0,0891	250	-		5	18,4	20,1	0,1026	280	-		20		19,4	21,1	0,1188	300			-	30		20,1	21,8	0,1296				315	-	37	20,7	22,4	0,1377	355				-	57	22	23,7	0,1593		400	-	80		23,6	25,3	0,1836		560 x	450	-	105	25,3	28,3	0,2112	BFN		900	185	330	42,7	45,7	0,4872	BFN			500	-	130	26,8	29,8	0,2332				550	10	155	28,5	31,5	0,2597			560	15	160	28,8	31,8	0,2650		600	35	180	30,2	33,2	0,2862	630		50	195	31,2	34,2	0,3021	650		60		205	31,9	34,9	0,3127	700			85	230		33,6	36,6		0,3392			710	90	235	33,9	36,9		0,3445			750	110	255	35,3	38,3		0,3657	800	135		280	37	40	0,3922		560 x	900	185	330	40,4	43,4	0,4452	BFN		1000	235	380	46,3	49,3	0,5452	BFN			1000	235	380	41,5	44,5		0,4512			180	-	-	15,8	17,5		0,0636		200	-	-	16,5	18,2		0,0742	225	-	-	17,3	19	0,0875	250		-	5	18,2	19,9	0,1007	280		-		20	19,2	20,9	0,1166		300		-	30		19,9	21,6		0,1272			315	-	37	20,4	22,1		0,1352			355	-	57	21,8		23,5	0,1564	400		-	80	23,3	25		0,1802	560 x	450	-	105	25,3	28,3	0,2112	BFN		600 x	630	50	195	35,5	38,5	0,3712			BF	500	-	130	26,8		29,8		0,2332		550	10	155	28,5		31,5	0,2597		560	15	160	28,8	31,8		0,2650	600	35	180	30,2	33,2	0,2862		630	50	195	31,2	34,2		0,3021	650		60	205	31,9		34,9		0,3127	700	85	230		33,6		36,6	0,3392			710	90	235	33,9		36,9	0,3445			750	110	255		35,3	38,3	0,3657		800	135	280	37	40		0,3922	560 x	900	185	330	40,4	43,4	0,4452	BFN		600 x	630	50	195	37,7	40,7	0,4002			BF	1000	235	380	43,9		46,9		0,4982		180	-	-	15,8		17,5	0,0636		200	-	-	16,5	18,2		0,0742	225	-	-	17,3	19		0,0875	250	-	5	18,2	19,9		0,1007		280	-	20	19,2		20,9		0,1166	300	-		30		19,9	21,6		0,1272		315	-	37	20,4		22,1			0,1352	355	-	57		21,8	23,5	0,1564		400	-	80	23,3	25	0,1802	560 x		450	-	105	25,3	28,3	0,2112	BFN		630 x	630	50	195	39,1	42,1	0,4292			BFN	500	-	130	26,8		29,8		0,2332		550	10	155	28,5		31,5	0,2597		560	15	160	28,8	31,8		0,2650	600	35	180	30,2		33,2	0,2862	630	50	195	31,2	34,2		0,3021		650	60	205		31,9		34,9	0,3127	700	85		230	33,6		36,6	0,3392			710	90	235	33,9	36,9	0,3445				750	110	255	35,3	38,3		0,3657		800	135	280	37	40	0,3922	560 x	900		185	330	40,4	43,4	0,4452	BFN		800	135	280	40,3	43,3	0,4514		BFN		1000	235	380	43,9		46,9	0,4982			180	-	-		16	17,7		0,0648	200	-	-	16,7		18,4	0,0756	225	-	-	17,5	19,2		0,0891	250	-	5	18,4	20,1	0,1026		280		-	20	19,4	21,1	0,1188			300	-		30	20,1	21,8	0,1296			315		-	37	20,7	22,4	0,1377			355		-	57	22	23,7	0,1593	400			-	80	23,6	25,3	0,1836																																																																																																																																												
	200	-	-	16,5	18,2	0,0742			225	-	-	17,3	19	0,0875				250	-	5	18,2	19,9	0,1007				280	-	20	19,2	20,9	0,1166				300	-	30	19,9	21,6	0,1272			560 x	315	-	37	20,4	22,1	0,1352		BFL		900	185	330	40,9	43,9	0,4536	BFN			355	-	57	21,8	23,5	0,1564				400	-	80	23,3	25	0,1802				450	-	105	25	28	0,2067			500	-	130	26,8	29,8	0,2332		550	10	155	28,5	31,5	0,2597		560	15	160	28,8	31,8	0,2650			600	35	180	30,2	33,2	0,2862				630	50	195	31,2	34,2				0,3021	650	60	205	31,9	34,9	0,3127			550 x	700	85	230	33,6	36,6	0,3392		BF		1000	235	380	44,4	47,4	0,5076	BFN			710	90	235	33,9	36,9	0,3445				750	110	255	35,3	38,3	0,3657				800	135	280	37	40	0,3922			900	185	330	40,4	43,4	0,4452		1000	235	380	43,9	46,9	0,4982		180	-	-	16	17,7		0,0648		200	-	-	16,7	18,4			0,0756		225	-	-			17,5		19,2	0,0891	250	-	5	18,4			20,1	0,1026	560 x	280	-	20	19,4	21,1	0,1188		BFL		560 x	630	50	195	32,9	35,9	0,3306			BF	300	-	30	20,1	21,8	0,1296				315	-	37	20,7	22,4	0,1377				355	-	57	22	23,7	0,1593			400	-	80	23,6	25,3	0,1836		450	-	105	25,3	28,3	0,2112	550 x	500	-	130	26,8	29,8	0,2332	BFN		600	35	180	28,3	31,3	0,2552			BFN	550	10	155	28,5	31,5	0,2597				560	15	160	28,8	31,8	0,2650				600	35	180	30,2	33,2	0,2862			630	50	195	31,2	34,2	0,3021		650	60	205	31,9	34,9	0,3127	700	85		230	33,6	36,6	0,3392	710	90	235			33,9	36,9	0,3445	750	110	255				35,3	38,3	0,3657	800	135	280			37		40	0,3922	560 x	900	185	330			40,4	43,4	0,4452		BFN	600 x	630	50		195	32,9	35,9			0,3306	BF	1000	235	380	43,9	46,9	0,4982				180	-	-	16	17,7	0,0648				200	-	-	16,7	18,4		0,0756		225	-	-	17,5	19,2	0,0891		250	-	5	18,4	20,1	0,1026	280		-	20	19,4	21,1	0,1188	300		-		30	20,1	21,8		0,1296		315	-	37		20,7			22,4	0,1377		355	-	57	22	23,7	0,1593	400			-	80	23,6	25,3	0,1836	560 x	450	-	105	25,3		28,3	0,2112	BFN		630 x	630	50	195	34	37	0,3477			BF	500	-	130	26,8	29,8	0,2332				550	10	155	28,5	31,5	0,2597				560	15	160	28,8	31,8		0,2650		600	35	180	30,2	33,2	0,2862		630	50	195	31,2	34,2	0,3021	650	60		205	31,9	34,9	0,3127	700		85		230	33,6	36,6	0,3392			710	90	235		33,9	36,9		0,3445		750		110	255	35,3	38,3	0,3657	800	135	280			37	40	0,3922	560 x	900	185	330	40,4	43,4		0,4452	BFN		800	135	280	39,1	42,1	0,4292	BFN			1000	235	380	43,9	46,9	0,4982				180	-	-	16	17,7	0,0648				200	-	-	16,7	18,4	0,0756			225	-	-	17,5	19,2	0,0891		250	-	5	18,4	20,1	0,1026	280	-		20	19,4	21,1	0,1188	300	-		30		20,1	21,8	0,1296	315			-	37		20,7	22,4	0,1377				355	-	57	22	23,7	0,1593	400	-			80	23,6	25,3	0,1836	560 x	450	-	105	25,3		28,3	0,2112	BFN	900		185	330	42,7	45,7	0,4872	BFN			500	-	130	26,8	29,8	0,2332				550	10	155	28,5	31,5	0,2597				560	15	160	28,8	31,8	0,2650			600	35	180	30,2	33,2	0,2862		630	50	195	31,2	34,2	0,3021	650		60	205	31,9	34,9	0,3127	700		85		230	33,6	36,6	0,3392	710			90	235		33,9	36,9		0,3445			750	110	255	35,3	38,3	0,3657	800			135	280	37	40	0,3922	560 x	900	185	330		40,4	43,4	0,4452	BFN	1000		235	380	46,3	49,3	0,5452	BFN			1000	235	380	41,5	44,5	0,4512				180	-	-	15,8	17,5		0,0636			200	-	-	16,5	18,2		0,0742		225	-	-	17,3	19		0,0875	250	-	5	18,2	19,9	0,1007	280		-	20	19,2	20,9	0,1166	300		-		30	19,9	21,6	0,1272		315		-	37		20,4	22,1		0,1352			355	-	57	21,8	23,5	0,1564	400			-	80	23,3	25	0,1802	560 x	450	-		105	25,3	28,3	0,2112	BFN	600 x		630	50	195	35,5	38,5	0,3712			BF	500	-	130	26,8	29,8	0,2332				550	10	155	28,5		31,5		0,2597		560	15	160	28,8		31,8	0,2650		600	35	180	30,2	33,2		0,2862	630	50	195	31,2	34,2	0,3021		650	60	205	31,9	34,9		0,3127	700		85	230	33,6		36,6		0,3392	710	90	235		33,9		36,9	0,3445			750	110	255	35,3	38,3	0,3657	800			135	280	37	40	0,3922	560 x	900		185	330	40,4	43,4	0,4452	BFN	600 x		630	50	195	37,7	40,7	0,4002			BF	1000	235	380	43,9	46,9	0,4982				180	-	-	15,8		17,5		0,0636		200	-	-	16,5		18,2	0,0742		225	-	-	17,3	19		0,0875	250	-	5	18,2	19,9		0,1007	280	-	20	19,2	20,9		0,1166		300	-	30	19,9		21,6		0,1272	315	-		37		20,4	22,1		0,1352		355	-	57	21,8	23,5	0,1564			400	-	80	23,3	25	0,1802	560 x	450		-	105	25,3	28,3	0,2112	BFN		630 x	630	50	195	39,1	42,1	0,4292			BFN	500	-	130	26,8	29,8	0,2332				550	10	155	28,5		31,5		0,2597		560	15	160	28,8		31,8	0,2650		600	35	180	30,2	33,2		0,2862	630	50	195	31,2		34,2	0,3021	650	60	205	31,9	34,9		0,3127		700	85	230		33,6		36,6	0,3392	710	90		235	33,9		36,9	0,3445			750	110	255	35,3	38,3	0,3657	800			135	280	37	40	0,3922	560 x	900		185	330	40,4	43,4	0,4452	BFN		800	135	280	40,3	43,3	0,4514	BFN			1000	235	380	43,9	46,9	0,4982				180	-	-	16		17,7	0,0648			200	-	-		16,7	18,4		0,0756	225	-	-	17,5		19,2	0,0891	250	-	5	18,4	20,1		0,1026	280	-	20	19,4	21,1	0,1188		300		-	30	20,1	21,8	0,1296			315	-		37	20,7	22,4	0,1377			355		-	57	22	23,7	0,1593			400	-	80	23,6	25,3	0,1836																																																																																																																																																					
	225	-	-	17,3	19	0,0875			250	-	5	18,2	19,9	0,1007				280	-	20	19,2	20,9	0,1166				300	-	30	19,9	21,6	0,1272			560 x	315	-	37	20,4	22,1	0,1352		BFL		900	185	330	40,9	43,9	0,4536	BFN			355	-	57	21,8	23,5	0,1564				400	-	80	23,3	25	0,1802				450	-	105	25	28	0,2067				500	-	130	26,8	29,8	0,2332			550	10	155	28,5	31,5	0,2597		560	15	160	28,8	31,8	0,2650		600	35	180	30,2	33,2	0,2862			630	50	195	31,2	34,2	0,3021				650	60	205	31,9	34,9		0,3127		550 x	700	85	230	33,6	36,6	0,3392		BF		1000	235	380	44,4	47,4	0,5076	BFN			710	90	235	33,9	36,9	0,3445				750	110	255	35,3	38,3	0,3657				800	135	280	37	40	0,3922				900	185	330	40,4	43,4	0,4452			1000	235	380	43,9	46,9	0,4982		180	-	-	16	17,7	0,0648		200	-	-	16,7	18,4		0,0756		225	-	-	17,5	19,2			0,0891		250	-	5	18,4		20,1		0,1026	560 x	280	-	20	19,4	21,1		0,1188	BFL		560 x	630	50	195	32,9	35,9	0,3306			BF	300	-	30	20,1	21,8	0,1296				315	-	37	20,7	22,4	0,1377				355	-	57	22	23,7	0,1593				400	-	80	23,6	25,3	0,1836			450	-	105	25,3	28,3	0,2112		550 x	500	-	130	26,8	29,8		0,2332	BFN	600	35	180	28,3			31,3	0,2552	BFN	550	10	155				28,5	31,5	0,2597	560	15	160				28,8	31,8	0,2650	600	35	180				30,2	33,2	0,2862	630	50	195			31,2	34,2	0,3021	650	60	205		31,9	34,9	0,3127	700	85	230	33,6	36,6		0,3392	710	90	235	33,9	36,9	0,3445			750	110	255	35,3	38,3	0,3657				800	135	280	37	40	0,3922			560 x	900	185	330		40,4	43,4	0,4452		BFN	600 x	630	50			195	32,9	35,9	0,3306	BF	1000	235			380		43,9	46,9	0,4982	180	-	-				16	17,7	0,0648	200	-	-				16,7	18,4	0,0756	225	-		-		17,5	19,2	0,0891	250	-	5		18,4	20,1	0,1026	280	-	20	19,4		21,1	0,1188	300	-	30	20,1		21,8		0,1296	315	-		37		20,7	22,4	0,1377		355		-	57	22		23,7	0,1593	400	-	80	23,6	25,3	0,1836		560 x	450	-	105	25,3		28,3	0,2112	BFN	630 x	630	50	195			34	37	0,3477	BF	500	-	130				26,8	29,8	0,2332	550	10	155				28,5	31,5	0,2597	560	15	160				28,8	31,8	0,2650	600	35		180		30,2	33,2	0,2862	630	50	195		31,2	34,2	0,3021	650	60	205	31,9	34,9		0,3127	700	85	230	33,6		36,6		0,3392	710	90	235			33,9	36,9	0,3445		750	110		255	35,3	38,3		0,3657	800	135	280	37	40	0,3922	560 x	900		185	330	40,4		43,4	0,4452	BFN	800	135	280	39,1			42,1	0,4292	BFN	1000	235	380				43,9	46,9	0,4982	180	-	-				16	17,7	0,0648	200	-	-				16,7	18,4	0,0756	225	-	-			17,5	19,2	0,0891	250	-	5		18,4	20,1	0,1026	280	-	20	19,4	21,1		0,1188	300	-	30	20,1	21,8		0,1296		315	-	37	20,7			22,4	0,1377		355	-	57			22	23,7	0,1593	400	-	80	23,6	25,3	0,1836		560 x	450	-	105	25,3		28,3	0,2112	BFN	900	185	330	42,7		45,7		0,4872	BFN	500	-	130				26,8	29,8	0,2332	550	10	155				28,5	31,5	0,2597	560	15	160				28,8	31,8	0,2650	600	35	180			30,2	33,2	0,2862	630	50	195		31,2	34,2	0,3021	650	60	205	31,9		34,9	0,3127	700	85	230	33,6		36,6		0,3392	710	90	235	33,9			36,9	0,3445		750	110		255		35,3	38,3	0,3657	800	135	280	37	40		0,3922	560 x	900	185	330	40,4		43,4	0,4452	BFN	1000	235	380	46,3		49,3		0,5452	BFN	1000	235	380				41,5	44,5	0,4512	180	-	-				15,8	17,5	0,0636	200	-		-			16,5	18,2	0,0742	225	-		-		17,3	19	0,0875	250	-		5	18,2	19,9	0,1007	280	-	20	19,2		20,9	0,1166	300	-	30	19,9		21,6		0,1272	315	-	37		20,4		22,1	0,1352		355	-		57		21,8	23,5	0,1564	400	-	80	23,3	25		0,1802	560 x	450	-	105	25,3		28,3	0,2112	BFN	600 x	630	50	195		35,5		38,5	0,3712	BF	500	-	130				26,8	29,8	0,2332	550	10	155				28,5	31,5	0,2597	560		15		160		28,8	31,8	0,2650	600		35	180		30,2	33,2	0,2862	630	50		195	31,2	34,2	0,3021	650	60	205		31,9	34,9	0,3127	700	85		230	33,6		36,6	0,3392	710		90		235	33,9	36,9	0,3445		750		110	255	35,3		38,3	0,3657	800	135	280	37	40	0,3922		560 x	900	185	330	40,4		43,4	0,4452	BFN	600 x	630	50	195		37,7		40,7	0,4002	BF	1000	235	380				43,9	46,9	0,4982	180	-	-				15,8	17,5	0,0636	200		-		-		16,5	18,2	0,0742	225		-	-		17,3	19	0,0875	250	-		5	18,2	19,9	0,1007	280	-		20	19,2	20,9	0,1166	300	-		30		19,9	21,6	0,1272	315		-		37	20,4	22,1		0,1352		355	-	57	21,8		23,5	0,1564	400	-	80	23,3	25		0,1802	560 x	450	-	105	25,3		28,3	0,2112	BFN	630 x	630	50	195			39,1	42,1	0,4292	BFN	500	-	130				26,8	29,8	0,2332	550	10	155				28,5	31,5	0,2597	560		15		160		28,8	31,8	0,2650	600		35	180		30,2	33,2	0,2862	630	50		195	31,2	34,2	0,3021	650		60	205	31,9	34,9	0,3127	700	85		230		33,6	36,6	0,3392		710		90	235	33,9	36,9		0,3445	750		110	255	35,3		38,3	0,3657	800	135	280	37	40	0,3922		560 x	900	185	330	40,4		43,4	0,4452	BFN	800	135	280	40,3			43,3	0,4514	BFN	1000	235	380				43,9	46,9	0,4982	180	-	-				16	17,7	0,0648	200		-	-			16,7	18,4	0,0756		225	-		-	17,5	19,2	0,0891	250		-	5	18,4	20,1	0,1026	280	-		20	19,4	21,1	0,1188	300	-	30		20,1		21,8	0,1296	315	-	37			20,7	22,4		0,1377	355	-	57			22	23,7	0,1593	400	-	80	23,6		25,3	0,1836																																																																																																																																																										
	250	-	5	18,2	19,9	0,1007			280	-	20	19,2	20,9	0,1166				300	-	30	19,9	21,6	0,1272		560 x		315	-	37	20,4	22,1	0,1352	BFL			900	185	330	40,9	43,9	0,4536	BFN			355	-	57	21,8	23,5	0,1564				400	-	80	23,3	25	0,1802				450	-	105	25	28	0,2067				500	-	130	26,8	29,8	0,2332				550	10	155	28,5	31,5	0,2597			560	15	160	28,8	31,8	0,2650		600	35	180	30,2	33,2	0,2862		630	50	195	31,2	34,2	0,3021			650	60	205	31,9	34,9	0,3127		550 x		700	85	230	33,6	36,6	0,3392	BF			1000	235	380	44,4	47,4	0,5076	BFN			710	90	235	33,9	36,9	0,3445				750	110	255	35,3	38,3	0,3657				800	135	280	37	40	0,3922				900	185	330	40,4	43,4	0,4452				1000	235	380	43,9	46,9	0,4982			180	-	-	16	17,7	0,0648		200	-	-	16,7	18,4	0,0756		225	-	-	17,5	19,2		0,0891		250	-	5	18,4	20,1	0,1026		560 x		280	-	20	19,4	21,1	0,1188		BFL		560 x	630	50	195	32,9	35,9	0,3306			BF	300	-	30	20,1	21,8	0,1296				315	-	37	20,7	22,4	0,1377				355	-	57	22	23,7	0,1593				400	-	80	23,6	25,3	0,1836		450		-	105	25,3	28,3	0,2112	550 x	500		-	130	26,8	29,8	0,2332	BFN	600		35	180	28,3	31,3	0,2552		BFN		550	10	155	28,5			31,5	0,2597		560	15	160				28,8	31,8	0,2650	600	35	180				30,2	33,2	0,2862	630	50	195				31,2	34,2	0,3021	650	60	205			31,9	34,9	0,3127	700	85	230		33,6	36,6	0,3392	710	90	235	33,9	36,9		0,3445	750	110	255	35,3	38,3	0,3657			800	135	280	37	40	0,3922			560 x	900	185	330	40,4	43,4	0,4452		BFN		600 x	630	50		195	32,9	35,9	0,3306		BF	1000	235			380	43,9	46,9	0,4982		180	-			-		16	17,7	0,0648	200	-	-				16,7	18,4	0,0756	225	-	-				17,5	19,2	0,0891	250	-		5		18,4	20,1	0,1026	280	-	20		19,4	21,1	0,1188	300	-	30	20,1		21,8	0,1296	315	-	37	20,7		22,4		0,1377	355	-	57	22		23,7	0,1593	400		-	80	23,6	25,3	0,1836		560 x	450	-	105	25,3	28,3	0,2112	BFN	630 x		630	50	195	34		37	0,3477		BF	500	-	130			26,8	29,8	0,2332		550	10	155				28,5	31,5	0,2597	560	15	160				28,8	31,8	0,2650	600	35	180				30,2	33,2	0,2862	630	50		195		31,2	34,2	0,3021	650	60	205		31,9	34,9	0,3127	700	85	230	33,6	36,6		0,3392	710	90	235	33,9		36,9		0,3445	750	110	255	35,3		38,3	0,3657	800		135	280	37	40	0,3922	560 x		900	185	330	40,4	43,4	0,4452	BFN		800	135	280	39,1	42,1		0,4292	BFN		1000	235	380	43,9			46,9	0,4982		180	-	-				16	17,7	0,0648	200	-	-				16,7	18,4	0,0756	225	-	-				17,5	19,2	0,0891	250	-	5			18,4	20,1	0,1026	280	-	20		19,4	21,1	0,1188	300	-	30	20,1	21,8		0,1296	315	-	37	20,7	22,4		0,1377		355	-	57	22	23,7		0,1593	400		-	80	23,6	25,3		0,1836	560 x	450	-	105	25,3	28,3	0,2112	BFN	900		185	330	42,7	45,7		0,4872	BFN		500	-	130	26,8		29,8		0,2332		550	10	155				28,5	31,5	0,2597	560	15	160				28,8	31,8	0,2650	600	35	180				30,2	33,2	0,2862	630	50	195			31,2	34,2	0,3021	650	60	205		31,9	34,9	0,3127	700	85	230	33,6		36,6	0,3392	710	90	235	33,9		36,9		0,3445	750	110	255	35,3	38,3		0,3657	800		135	280	37	40		0,3922	560 x	900	185	330	40,4	43,4	0,4452	BFN	1000		235	380	46,3	49,3		0,5452	BFN		1000	235	380	41,5		44,5		0,4512		180	-	-				15,8	17,5	0,0636	200	-	-				16,5	18,2	0,0742	225	-		-			17,3	19	0,0875	250	-		5		18,2	19,9	0,1007	280	-		20	19,2	20,9	0,1166	300	-	30	19,9		21,6	0,1272	315	-	37	20,4		22,1		0,1352	355	-	57	21,8	23,5		0,1564	400		-	80	23,3	25		0,1802	560 x	450	-	105	25,3	28,3	0,2112	BFN	600 x		630	50	195	35,5		38,5	0,3712		BF	500	-	130		26,8		29,8	0,2332		550	10	155				28,5	31,5	0,2597	560	15	160				28,8	31,8	0,2650	600		35		180		30,2	33,2	0,2862	630		50	195		31,2	34,2	0,3021	650	60		205	31,9	34,9	0,3127	700	85	230		33,6	36,6	0,3392	710	90		235	33,9		36,9	0,3445	750	110	255		35,3	38,3	0,3657	800		135	280	37	40	0,3922		560 x	900	185	330	40,4	43,4	0,4452	BFN	600 x		630	50	195	37,7		40,7	0,4002		BF	1000	235	380		43,9		46,9	0,4982		180	-	-				15,8	17,5	0,0636	200	-	-				16,5	18,2	0,0742	225		-		-		17,3	19	0,0875	250		-	5		18,2	19,9	0,1007	280	-		20	19,2	20,9	0,1166	300	-		30	19,9	21,6	0,1272	315	-		37		20,4	22,1	0,1352	355	-	57		21,8	23,5	0,1564		400	-	80	23,3	25	0,1802		560 x	450	-	105	25,3	28,3	0,2112	BFN	630 x		630	50	195	39,1		42,1	0,4292		BFN	500	-	130			26,8	29,8	0,2332		550	10	155				28,5	31,5	0,2597	560	15	160				28,8	31,8	0,2650	600		35		180		30,2	33,2	0,2862	630		50	195		31,2	34,2	0,3021	650	60		205	31,9	34,9	0,3127	700		85	230	33,6	36,6	0,3392	710	90		235		33,9	36,9	0,3445	750	110		255	35,3	38,3	0,3657		800	135	280	37	40	0,3922		560 x	900	185	330	40,4	43,4	0,4452	BFN	800		135	280	40,3	43,3		0,4514	BFN		1000	235	380	43,9			46,9	0,4982		180	-	-				16	17,7	0,0648	200	-	-				16,7	18,4	0,0756	225		-	-			17,5	19,2	0,0891		250	-		5	18,4	20,1	0,1026	280		-	20	19,4	21,1	0,1188	300	-		30	20,1	21,8	0,1296	315	-	37		20,7		22,4	0,1377	355	-	57		22	23,7	0,1593		400	-	80	23,6		25,3	0,1836																																																																																																																																																																			
	280	-	20	19,2	20,9	0,1166			300	-	30	19,9	21,6	0,1272	560 x			315	-	37	20,4	22,1	0,1352	BFL			900	185	330	40,9	43,9	0,4536		BFN		355	-	57	21,8	23,5	0,1564				400	-	80	23,3	25	0,1802				450	-	105	25	28	0,2067				500	-	130	26,8	29,8	0,2332				550	10	155	28,5	31,5	0,2597				560	15	160	28,8	31,8	0,2650			600	35	180	30,2	33,2	0,2862		630	50	195	31,2	34,2	0,3021		650	60	205	31,9	34,9	0,3127	550 x		700	85	230	33,6	36,6	0,3392	BF			1000	235	380	44,4	47,4	0,5076		BFN		710	90	235	33,9	36,9	0,3445				750	110	255	35,3	38,3	0,3657				800	135	280	37	40	0,3922				900	185	330	40,4	43,4	0,4452				1000	235	380	43,9	46,9	0,4982				180	-	-	16	17,7	0,0648			200	-	-	16,7	18,4	0,0756		225	-	-	17,5	19,2	0,0891		250	-	5	18,4	20,1	0,1026	560 x		280	-	20	19,4	21,1	0,1188	BFL			560 x	630	50	195	32,9	35,9	0,3306			BF	300	-	30	20,1	21,8	0,1296				315	-	37	20,7	22,4	0,1377				355	-	57	22	23,7	0,1593				400	-	80	23,6	25,3	0,1836		450		-	105	25,3	28,3	0,2112	550 x	500	-		130	26,8	29,8	0,2332	BFN		600	35	180	28,3	31,3	0,2552	BFN		550		10	155	28,5	31,5	0,2597				560	15	160	28,8			31,8	0,2650		600	35	180				30,2	33,2	0,2862	630	50	195				31,2	34,2	0,3021	650	60	205				31,9	34,9	0,3127	700	85	230			33,6	36,6	0,3392	710	90	235		33,9	36,9	0,3445	750	110	255	35,3	38,3		0,3657	800	135	280	37	40	0,3922		560 x	900	185	330	40,4	43,4	0,4452		BFN		600 x	630	50	195	32,9	35,9	0,3306			BF	1000	235		380	43,9	46,9	0,4982			180	-			-	16	17,7	0,0648		200	-			-		16,7	18,4	0,0756	225	-	-				17,5	19,2	0,0891	250	-	5				18,4	20,1	0,1026	280	-		20		19,4	21,1	0,1188	300	-	30		20,1	21,8	0,1296	315	-	37	20,7		22,4	0,1377	355	-	57	22	23,7	0,1593		400	-	80	23,6	25,3	0,1836	560 x	450	-		105	25,3	28,3	0,2112	BFN	630 x		630	50	195	34	37	0,3477		BF		500	-	130	26,8		29,8	0,2332			550	10	155			28,5	31,5	0,2597		560	15	160				28,8	31,8	0,2650	600	35	180				30,2	33,2	0,2862	630	50	195				31,2	34,2	0,3021	650	60		205		31,9	34,9	0,3127	700	85	230		33,6	36,6	0,3392	710	90	235	33,9	36,9		0,3445	750	110	255	35,3	38,3	0,3657		800	135	280	37	40	0,3922	560 x	900	185		330	40,4	43,4	0,4452	BFN		800	135	280	39,1	42,1	0,4292	BFN			1000	235	380	43,9	46,9		0,4982			180	-	-	16			17,7	0,0648		200	-	-				16,7	18,4	0,0756	225	-	-				17,5	19,2	0,0891	250	-	5				18,4	20,1	0,1026	280	-	20			19,4	21,1	0,1188	300	-	30		20,1	21,8	0,1296	315	-	37	20,7	22,4		0,1377	355	-	57	22	23,7	0,1593	400		-	80	23,6	25,3	0,1836	560 x	450	-		105	25,3	28,3	0,2112	BFN	900		185	330	42,7	45,7	0,4872	BFN		500		-	130	26,8	29,8		0,2332			550	10	155	28,5		31,5		0,2597		560	15	160				28,8	31,8	0,2650	600	35	180				30,2	33,2	0,2862	630	50	195				31,2	34,2	0,3021	650	60	205			31,9	34,9	0,3127	700	85	230		33,6	36,6	0,3392	710	90	235	33,9		36,9	0,3445	750	110	255	35,3	38,3	0,3657		800	135	280	37	40	0,3922	560 x	900	185		330	40,4	43,4	0,4452	BFN	1000		235	380	46,3	49,3	0,5452	BFN		1000		235	380	41,5	44,5		0,4512			180	-	-	15,8		17,5		0,0636		200	-	-				16,5	18,2	0,0742	225	-	-				17,3	19	0,0875	250	-		5			18,2	19,9	0,1007	280	-		20		19,2	20,9	0,1166	300	-		30	19,9	21,6	0,1272	315	-	37	20,4		22,1	0,1352	355	-	57	21,8	23,5	0,1564		400	-	80	23,3	25	0,1802	560 x	450	-		105	25,3	28,3	0,2112	BFN	600 x		630	50	195	35,5	38,5	0,3712		BF		500	-	130	26,8		29,8	0,2332			550	10	155		28,5		31,5	0,2597		560	15	160				28,8	31,8	0,2650	600	35	180				30,2	33,2	0,2862	630		50		195		31,2	34,2	0,3021	650		60	205		31,9	34,9	0,3127	700	85		230	33,6	36,6	0,3392	710	90	235		33,9	36,9	0,3445	750	110	255	35,3	38,3		0,3657	800	135	280	37	40	0,3922	560 x	900	185		330	40,4	43,4	0,4452	BFN	600 x		630	50	195	37,7	40,7	0,4002		BF		1000	235	380	43,9		46,9	0,4982			180	-	-		15,8		17,5	0,0636		200	-	-				16,5	18,2	0,0742	225	-	-				17,3	19	0,0875	250		-		5		18,2	19,9	0,1007	280		-	20		19,2	20,9	0,1166	300	-		30	19,9	21,6	0,1272	315	-		37	20,4	22,1	0,1352	355	-	57	21,8		23,5	0,1564	400	-	80	23,3	25	0,1802	560 x	450		-	105	25,3	28,3	0,2112	BFN	630 x		630	50	195	39,1	42,1	0,4292		BFN		500	-	130	26,8		29,8	0,2332			550	10	155			28,5	31,5	0,2597		560	15	160				28,8	31,8	0,2650	600	35	180				30,2	33,2	0,2862	630		50		195		31,2	34,2	0,3021	650		60	205		31,9	34,9	0,3127	700	85		230	33,6	36,6	0,3392	710		90	235	33,9	36,9	0,3445	750	110	255	35,3		38,3	0,3657	800	135	280	37	40	0,3922	560 x	900		185	330	40,4	43,4	0,4452	BFN	800		135	280	40,3	43,3	0,4514	BFN		1000		235	380	43,9	46,9		0,4982			180	-	-	16			17,7	0,0648		200	-	-				16,7	18,4	0,0756	225	-	-				17,5	19,2	0,0891	250		-	5			18,4	20,1	0,1026		280	-		20	19,4	21,1	0,1188	300		-	30	20,1	21,8	0,1296	315	-		37	20,7	22,4	0,1377	355	-	57	22	23,7		0,1593	400	-	80	23,6	25,3	0,1836																																																																																																																																																																													
	300	-	30	19,9	21,6	0,1272		560 x	315	-	37	20,4	22,1	0,1352		BFL		900	185	330	40,9	43,9	0,4536			BFN	355	-	57	21,8	23,5	0,1564				400	-	80	23,3	25	0,1802				450	-	105	25	28	0,2067				500	-	130	26,8	29,8	0,2332				550	10	155	28,5	31,5	0,2597				560	15	160	28,8	31,8	0,2650				600	35	180	30,2	33,2	0,2862			630	50	195	31,2	34,2	0,3021		650	60	205	31,9	34,9	0,3127	550 x	700	85	230	33,6	36,6	0,3392		BF	1000	235	380	44,4	47,4	0,5076			BFN	710	90	235	33,9	36,9	0,3445				750	110	255	35,3	38,3	0,3657				800	135	280	37	40	0,3922				900	185	330	40,4	43,4	0,4452				1000	235	380	43,9	46,9	0,4982				180	-	-	16	17,7	0,0648				200	-	-	16,7	18,4	0,0756			225	-	-	17,5	19,2	0,0891		250	-	5	18,4	20,1	0,1026	560 x	280	-	20	19,4	21,1	0,1188		BFL	560 x	630	50	195	32,9	35,9			0,3306	BF	300	-	30	20,1	21,8	0,1296				315	-	37	20,7	22,4	0,1377				355	-	57	22	23,7	0,1593				400	-	80	23,6	25,3	0,1836		450		-	105	25,3	28,3	0,2112	550 x	500	-		130	26,8	29,8	0,2332	BFN		600	35	180	28,3	31,3	0,2552	BFN			550	10	155	28,5	31,5	0,2597			560		15	160	28,8	31,8	0,2650				600	35	180	30,2			33,2	0,2862		630	50	195				31,2	34,2	0,3021	650	60	205				31,9	34,9	0,3127	700	85	230				33,6	36,6	0,3392	710	90	235			33,9	36,9	0,3445	750	110	255		35,3	38,3	0,3657	800	135	280	37	40	0,3922	560 x	900	185	330	40,4	43,4	0,4452	BFN		600 x	630	50	195	32,9	35,9	0,3306			BF	1000	235	380	43,9	46,9	0,4982				180	-		-	16	17,7	0,0648			200	-			-	16,7	18,4	0,0756		225	-			-		17,5	19,2	0,0891	250	-	5				18,4	20,1	0,1026	280	-	20				19,4	21,1	0,1188	300	-		30		20,1	21,8	0,1296	315	-	37		20,7	22,4	0,1377	355	-	57	22	23,7	0,1593	400	-	80	23,6	25,3	0,1836	560 x	450	-	105	25,3	28,3	0,2112	BFN		630 x	630	50	195	34	37	0,3477		BF		500	-	130	26,8	29,8	0,2332				550	10	155	28,5		31,5	0,2597			560	15	160			28,8	31,8	0,2650		600	35	180				30,2	33,2	0,2862	630	50	195				31,2	34,2	0,3021	650	60	205				31,9	34,9	0,3127	700	85		230		33,6	36,6	0,3392	710	90	235		33,9	36,9	0,3445	750	110	255	35,3	38,3	0,3657	800	135	280	37	40	0,3922	560 x	900	185	330	40,4	43,4	0,4452	BFN		800	135	280	39,1	42,1	0,4292	BFN			1000	235	380	43,9	46,9	0,4982				180	-	-	16	17,7		0,0648			200	-	-	16,7			18,4	0,0756		225	-	-				17,5	19,2	0,0891	250	-	5				18,4	20,1	0,1026	280	-	20				19,4	21,1	0,1188	300	-	30			20,1	21,8	0,1296	315	-	37		20,7	22,4	0,1377	355	-	57	22	23,7	0,1593	400	-	80	23,6	25,3	0,1836	560 x	450	-	105	25,3	28,3	0,2112	BFN		900	185	330	42,7	45,7	0,4872	BFN		500		-	130	26,8	29,8	0,2332			550		10	155	28,5	31,5		0,2597			560	15	160	28,8		31,8		0,2650		600	35	180				30,2	33,2	0,2862	630	50	195				31,2	34,2	0,3021	650	60	205				31,9	34,9	0,3127	700	85	230			33,6	36,6	0,3392	710	90	235		33,9	36,9	0,3445	750	110	255	35,3	38,3	0,3657	800	135	280	37	40	0,3922	560 x	900	185	330	40,4	43,4	0,4452	BFN		1000	235	380	46,3	49,3	0,5452	BFN		1000		235	380	41,5	44,5	0,4512			180		-	-	15,8	17,5		0,0636			200	-	-	16,5		18,2		0,0742		225	-	-				17,3	19	0,0875	250	-	5				18,2	19,9	0,1007	280	-		20			19,2	20,9	0,1166	300	-		30		19,9	21,6	0,1272	315	-		37	20,4	22,1	0,1352	355	-	57	21,8	23,5	0,1564	400	-	80	23,3	25	0,1802	560 x	450	-	105	25,3	28,3	0,2112	BFN		600 x	630	50	195	35,5	38,5	0,3712		BF		500	-	130	26,8	29,8	0,2332				550	10	155	28,5		31,5	0,2597			560	15	160		28,8		31,8	0,2650		600	35	180				30,2	33,2	0,2862	630	50	195				31,2	34,2	0,3021	650		60		205		31,9	34,9	0,3127	700		85	230		33,6	36,6	0,3392	710	90		235	33,9	36,9	0,3445	750	110	255	35,3	38,3	0,3657	800	135	280	37	40	0,3922	560 x	900	185	330	40,4	43,4	0,4452	BFN		600 x	630	50	195	37,7	40,7	0,4002		BF		1000	235	380	43,9	46,9	0,4982				180	-	-	15,8		17,5	0,0636			200	-	-		16,5		18,2	0,0742		225	-	-				17,3	19	0,0875	250	-	5				18,2	19,9	0,1007	280		-		20		19,2	20,9	0,1166	300		-	30		19,9	21,6	0,1272	315	-		37	20,4	22,1	0,1352	355	-	57	21,8	23,5	0,1564	400	-	80	23,3	25	0,1802	560 x	450	-	105	25,3	28,3	0,2112	BFN		630 x	630	50	195	39,1	42,1	0,4292		BFN		500	-	130	26,8	29,8	0,2332				550	10	155	28,5		31,5	0,2597			560	15	160			28,8	31,8	0,2650		600	35	180				30,2	33,2	0,2862	630	50	195				31,2	34,2	0,3021	650		60		205		31,9	34,9	0,3127	700		85	230		33,6	36,6	0,3392	710	90		235	33,9	36,9	0,3445	750	110	255	35,3	38,3	0,3657	800	135	280	37	40	0,3922	560 x	900	185	330	40,4	43,4	0,4452	BFN		800	135	280	40,3	43,3	0,4514	BFN		1000		235	380	43,9	46,9	0,4982			180		-	-	16	17,7		0,0648			200	-	-	16,7			18,4	0,0756		225	-	-				17,5	19,2	0,0891	250	-	5				18,4	20,1	0,1026	280		-	20			19,4	21,1	0,1188		300	-		30	20,1	21,8	0,1296	315		-	37	20,7	22,4	0,1377	355	-	57	22	23,7	0,1593	400	-	80	23,6	25,3	0,1836																																																																																																																																																																																					
560 x	315	-	37	20,4	22,1	0,1352	BFL		900	185	330	40,9	43,9	0,4536			BFN																																																																																																																																																																																																																																																																																																																																																																																																																																																																																																																																																																																																																																																																																																																																																																																																																																																																																																																																																																																																																																																																																																																																																																																																																																																																																																																																																																																																																																																																
	355	-	57	21,8	23,5	0,1564			400	-	80	23,3	25	0,1802				450	-	105	25	28	0,2067				500	-	130	26,8	29,8	0,2332				550	10	155	28,5	31,5	0,2597				560	15	160	28,8	31,8	0,2650				600	35	180	30,2	33,2	0,2862				630	50	195	31,2	34,2	0,3021				650	60	205	31,9	34,9	0,3127			550 x	700	85	230	33,6	36,6	0,3392		BF	1000	235	380	44,4	47,4	0,5076	BFN	710	90	235	33,9	36,9	0,3445		750	110	255	35,3	38,3	0,3657			800	135	280	37	40	0,3922				900	185	330	40,4	43,4	0,4452				1000	235	380	43,9	46,9	0,4982				180	-	-	16	17,7	0,0648				200	-	-	16,7	18,4	0,0756				225	-	-	17,5	19,2	0,0891				250	-	5	18,4	20,1	0,1026			560 x	280	-	20	19,4	21,1	0,1188		BFL	560 x	630	50	195	32,9	35,9	0,3306	BF	300	-	30	20,1	21,8		0,1296	315	-	37	20,7	22,4			0,1377	355	-	57	22	23,7			0,1593		400	-	80	23,6	25,3	0,1836				450	-	105	25,3	28,3	0,2112		550 x		500	-	130	26,8	29,8	0,2332	BFN	600		35	180	28,3	31,3	0,2552	BFN	550	10	155	28,5	31,5	0,2597	560	15		160	28,8	31,8	0,2650	600	35	180			30,2	33,2	0,2862	630	50	195				31,2	34,2	0,3021	650	60	205			31,9		34,9	0,3127	700	85	230				33,6	36,6	0,3392	710			90	235		33,9	36,9	0,3445				750	110	255	35,3	38,3	0,3657				800	135	280	37	40	0,3922			560 x	900	185	330	40,4	43,4	0,4452	BFN		600 x	630	50	195	32,9	35,9	0,3306	BF	1000	235	380	43,9	46,9	0,4982	180	-		-	16	17,7	0,0648	200	-			-	16,7	18,4	0,0756	225	-	-				17,5	19,2	0,0891	250	-	5				18,4	20,1		0,1026	280	-	20			19,4	21,1			0,1188	300	-	30		20,1	21,8			0,1296		315	-	37	20,7	22,4	0,1377				355	-	57	22	23,7	0,1593	400			-	80	23,6	25,3	0,1836	560 x	450		-	105	25,3	28,3	0,2112	BFN	630 x	630	50	195	34	37	0,3477	BF	500	-	130	26,8	29,8	0,2332	550	10		155	28,5	31,5	0,2597	560	15			160	28,8	31,8	0,2650	600	35	180				30,2	33,2	0,2862	630	50	195				31,2	34,2	0,3021	650		60	205			31,9	34,9	0,3127			700	85	230		33,6	36,6	0,3392				710	90	235	33,9	36,9	0,3445				750	110	255	35,3	38,3	0,3657	800			135	280	37	40	0,3922	560 x	900		185	330	40,4	43,4	0,4452	BFN	800	135	280	39,1	42,1	0,4292	BFN	1000	235	380	43,9	46,9	0,4982	180	-	-		16	17,7	0,0648	200	-	-			16,7	18,4	0,0756	225	-	-				17,5	19,2	0,0891	250	-	5				18,4	20,1	0,1026	280	-		20			19,4	21,1	0,1188	300			-	30		20,1	21,8	0,1296				315	-	37	20,7	22,4	0,1377				355	-	57	22	23,7	0,1593		400		-	80	23,6	25,3	0,1836	560 x	450		-	105	25,3	28,3	0,2112	BFN	900	185	330	42,7	45,7	0,4872	BFN	500	-	130	26,8	29,8	0,2332	550	10	155		28,5	31,5	0,2597	560	15	160			28,8	31,8	0,2650	600	35	180			30,2		33,2	0,2862	630	50	195			31,2		34,2	0,3021	650	60		205			31,9	34,9	0,3127	700		85		230		33,6	36,6	0,3392				710	90	235	33,9	36,9	0,3445				750	110	255	35,3	38,3	0,3657	800			135	280	37	40	0,3922	560 x	900		185	330	40,4	43,4	0,4452	BFN	1000	235	380	46,3	49,3	0,5452	BFN	1000	235	380	41,5	44,5	0,4512	180	-	-		15,8	17,5	0,0636	200	-	-			16,5	18,2	0,0742	225	-	-			17,3		19	0,0875	250	-	5			18,2		19,9	0,1007	280	-		20			19,2	20,9	0,1166	300		-		30		19,9	21,6	0,1272				315	-	37	20,4	22,1	0,1352				355	-	57	21,8	23,5	0,1564	400			-	80	23,3	25	0,1802	560 x	450		-	105	25,3	28,3	0,2112	BFN	600 x	630	50	195	35,5	38,5	0,3712	BF	500	-	130	26,8	29,8	0,2332	550	10		155	28,5	31,5	0,2597	560	15			160	28,8	31,8	0,2650	600	35	180				30,2	33,2	0,2862	630	50	195				31,2	34,2	0,3021	650		60	205			31,9	34,9	0,3127		700		85	230		33,6	36,6	0,3392				710	90	235	33,9	36,9	0,3445				750	110	255	35,3	38,3	0,3657		800		135	280	37	40	0,3922	560 x	900		185	330	40,4	43,4	0,4452	BFN	600 x	630	50	195	37,7	40,7	0,4002	BF	1000	235	380	43,9	46,9	0,4982	180	-		-	15,8	17,5	0,0636	200	-			-	16,5	18,2	0,0742	225	-	-				17,3	19	0,0875	250	-	5				18,2	19,9	0,1007	280		-	20			19,2	20,9	0,1166		300		-	30		19,9	21,6	0,1272				315	-	37	20,4	22,1	0,1352				355	-	57	21,8	23,5	0,1564		400		-	80	23,3	25	0,1802	560 x	450		-	105	25,3	28,3	0,2112	BFN	630 x	630	50	195	39,1	42,1	0,4292	BFN	500	-	130	26,8	29,8	0,2332	550	10		155	28,5	31,5	0,2597	560	15			160	28,8	31,8	0,2650	600	35	180				30,2	33,2	0,2862	630	50	195				31,2	34,2	0,3021	650		60	205			31,9	34,9	0,3127			700	85	230		33,6	36,6	0,3392				710	90	235	33,9	36,9	0,3445				750	110	255	35,3	38,3	0,3657		800		135	280	37	40	0,3922	560 x	900		185	330	40,4	43,4	0,4452	BFN	800	135	280	40,3	43,3	0,4514	BFN	1000	235	380	43,9	46,9	0,4982	180	-	-		16	17,7	0,0648	200	-	-			16,7	18,4	0,0756	225	-	-			17,5		19,2	0,0891	250	-	5			18,4		20,1	0,1026	280	-		20			19,4	21,1	0,1188	300			-	30		20,1	21,8	0,1296				315	-	37	20,7	22,4	0,1377				355	-	57	22	23,7	0,1593	400			-	80	23,6	25,3	0,1836																																																																																																																																																																																																														
	400	-	80	23,3	25	0,1802			450	-	105	25	28	0,2067				500	-	130	26,8	29,8	0,2332				550	10	155	28,5	31,5	0,2597				560	15	160	28,8	31,8	0,2650				600	35	180	30,2	33,2	0,2862				630	50	195	31,2	34,2	0,3021				650	60	205	31,9	34,9	0,3127			550 x	700	85	230	33,6	36,6	0,3392		BF		1000	235	380	44,4	47,4	0,5076	BFN		710	90	235	33,9	36,9	0,3445		750	110	255	35,3	38,3	0,3657		800	135	280	37	40	0,3922			900	185	330	40,4	43,4	0,4452				1000	235	380	43,9	46,9	0,4982				180	-	-	16	17,7	0,0648				200	-	-	16,7	18,4	0,0756				225	-	-	17,5	19,2	0,0891				250	-	5	18,4	20,1	0,1026			560 x	280	-	20	19,4	21,1	0,1188		BFL		560 x	630	50	195	32,9	35,9	0,3306		BF	300	-	30	20,1	21,8	0,1296		315	-	37	20,7	22,4		0,1377	355	-	57	22	23,7			0,1593	400	-	80	23,6	25,3			0,1836		450	-	105	25,3	28,3	0,2112		550 x		500	-	130	26,8	29,8	0,2332	BFN			600	35	180	28,3	31,3	0,2552		BFN	550	10	155	28,5	31,5	0,2597		560	15	160	28,8	31,8	0,2650	600	35		180	30,2	33,2	0,2862	630	50	195			31,2	34,2	0,3021	650	60	205				31,9	34,9	0,3127	700	85	230			33,6		36,6	0,3392	710	90	235				33,9	36,9	0,3445	750			110	255		35,3	38,3	0,3657				800	135	280	37	40	0,3922			560 x	900	185	330	40,4	43,4	0,4452		BFN		600 x	630	50	195	32,9	35,9		0,3306	BF	1000	235	380	43,9	46,9	0,4982		180	-	-	16	17,7	0,0648	200	-		-	16,7	18,4	0,0756	225	-			-	17,5	19,2	0,0891	250	-	5				18,4	20,1	0,1026	280	-	20				19,4	21,1		0,1188	300	-	30			20,1	21,8			0,1296	315	-	37		20,7	22,4			0,1377		355	-	57	22	23,7	0,1593		400		-	80	23,6	25,3	0,1836	560 x	450	-		105	25,3	28,3	0,2112	BFN		630 x	630	50	195	34	37	0,3477		BF	500	-	130	26,8	29,8	0,2332		550	10	155	28,5	31,5	0,2597	560	15		160	28,8	31,8	0,2650	600	35			180	30,2	33,2	0,2862	630	50	195				31,2	34,2	0,3021	650	60	205				31,9	34,9	0,3127	700		85	230			33,6	36,6	0,3392			710	90	235		33,9	36,9	0,3445				750	110	255	35,3	38,3	0,3657		800		135	280	37	40	0,3922	560 x	900	185		330	40,4	43,4	0,4452	BFN		800	135	280	39,1	42,1	0,4292	BFN		1000	235	380	43,9	46,9	0,4982		180	-	-	16	17,7	0,0648	200	-	-		16,7	18,4	0,0756	225	-	-			17,5	19,2	0,0891	250	-	5				18,4	20,1	0,1026	280	-	20				19,4	21,1	0,1188	300	-		30			20,1	21,8	0,1296	315			-	37		20,7	22,4	0,1377				355	-	57	22	23,7	0,1593			400	-	80	23,6	25,3	0,1836	560 x		450	-	105	25,3	28,3	0,2112	BFN		900	185	330	42,7	45,7	0,4872	BFN		500	-	130	26,8	29,8	0,2332		550	10	155	28,5	31,5	0,2597	560	15	160		28,8	31,8	0,2650	600	35	180			30,2	33,2	0,2862	630	50	195			31,2		34,2	0,3021	650	60	205			31,9		34,9	0,3127	700	85		230			33,6	36,6	0,3392	710		90		235		33,9	36,9	0,3445				750	110	255	35,3	38,3	0,3657			800	135	280	37	40	0,3922	560 x	900		185	330	40,4	43,4	0,4452	BFN		1000	235	380	46,3	49,3	0,5452	BFN		1000	235	380	41,5	44,5	0,4512		180	-	-	15,8	17,5	0,0636	200	-	-		16,5	18,2	0,0742	225	-	-			17,3	19	0,0875	250	-	5			18,2		19,9	0,1007	280	-	20			19,2		20,9	0,1166	300	-		30			19,9	21,6	0,1272	315		-		37		20,4	22,1	0,1352				355	-	57	21,8	23,5	0,1564		400		-	80	23,3	25	0,1802	560 x	450	-		105	25,3	28,3	0,2112	BFN		600 x	630	50	195	35,5	38,5	0,3712		BF	500	-	130	26,8	29,8	0,2332		550	10	155	28,5	31,5	0,2597	560	15		160	28,8	31,8	0,2650	600	35			180	30,2	33,2	0,2862	630	50	195				31,2	34,2	0,3021	650	60	205				31,9	34,9	0,3127	700		85	230			33,6	36,6	0,3392		710		90	235		33,9	36,9	0,3445				750	110	255	35,3	38,3	0,3657	800			135	280	37	40	0,3922	560 x	900	185		330	40,4	43,4	0,4452	BFN		600 x	630	50	195	37,7	40,7	0,4002		BF	1000	235	380	43,9	46,9	0,4982		180	-	-	15,8	17,5	0,0636	200	-		-	16,5	18,2	0,0742	225	-			-	17,3	19	0,0875	250	-	5				18,2	19,9	0,1007	280	-	20				19,2	20,9	0,1166	300		-	30			19,9	21,6	0,1272		315		-	37		20,4	22,1	0,1352				355	-	57	21,8	23,5	0,1564	400			-	80	23,3	25	0,1802	560 x	450	-		105	25,3	28,3	0,2112	BFN		630 x	630	50	195	39,1	42,1	0,4292		BFN	500	-	130	26,8	29,8	0,2332		550	10	155	28,5	31,5	0,2597	560	15		160	28,8	31,8	0,2650	600	35			180	30,2	33,2	0,2862	630	50	195				31,2	34,2	0,3021	650	60	205				31,9	34,9	0,3127	700		85	230			33,6	36,6	0,3392			710	90	235		33,9	36,9	0,3445				750	110	255	35,3	38,3	0,3657	800			135	280	37	40	0,3922	560 x	900	185		330	40,4	43,4	0,4452	BFN		800	135	280	40,3	43,3	0,4514	BFN		1000	235	380	43,9	46,9	0,4982		180	-	-	16	17,7	0,0648	200	-	-		16,7	18,4	0,0756	225	-	-			17,5	19,2	0,0891	250	-	5			18,4		20,1	0,1026	280	-	20			19,4		21,1	0,1188	300	-		30			20,1	21,8	0,1296	315			-	37		20,7	22,4	0,1377				355	-	57	22	23,7	0,1593	400			-	80	23,6	25,3	0,1836																																																																																																																																																																																																																							
	450	-	105	25	28	0,2067			500	-	130	26,8	29,8	0,2332				550	10	155	28,5	31,5	0,2597				560	15	160	28,8	31,8	0,2650				600	35	180	30,2	33,2	0,2862				630	50	195	31,2	34,2	0,3021				650	60	205	31,9	34,9	0,3127			550 x	700	85	230	33,6	36,6	0,3392		BF		1000	235	380	44,4	47,4	0,5076	BFN			710	90	235	33,9	36,9	0,3445			750	110	255	35,3	38,3	0,3657		800	135	280	37	40	0,3922		900	185	330	40,4	43,4	0,4452			1000	235	380	43,9	46,9	0,4982				180	-	-	16	17,7	0,0648				200	-	-	16,7	18,4	0,0756				225	-	-	17,5	19,2	0,0891				250	-	5	18,4	20,1	0,1026			560 x	280	-	20	19,4	21,1	0,1188		BFL		560 x	630	50	195	32,9	35,9	0,3306			BF	300	-	30	20,1	21,8	0,1296			315	-	37	20,7	22,4	0,1377		355	-	57	22	23,7		0,1593	400	-	80	23,6	25,3			0,1836	450	-	105	25,3	28,3		0,2112	550 x		500	-	130	26,8	29,8	0,2332	BFN			600	35	180	28,3	31,3	0,2552			BFN	550	10	155	28,5	31,5	0,2597			560	15	160	28,8	31,8	0,2650		600	35	180	30,2	33,2	0,2862	630	50		195	31,2	34,2	0,3021	650	60	205			31,9	34,9	0,3127	700	85	230				33,6	36,6	0,3392	710	90	235			33,9		36,9	0,3445	750	110	255				35,3	38,3	0,3657	800			135	280		37	40	0,3922		560 x		900	185	330	40,4	43,4	0,4452		BFN		600 x	630	50	195	32,9	35,9	0,3306			BF	1000	235	380	43,9	46,9		0,4982		180	-	-	16	17,7	0,0648		200	-	-	16,7	18,4	0,0756	225	-		-	17,5	19,2	0,0891	250	-			5	18,4	20,1	0,1026	280	-	20				19,4	21,1	0,1188	300	-	30				20,1	21,8		0,1296	315	-	37			20,7	22,4			0,1377	355	-	57		22	23,7		0,1593	400		-	80	23,6	25,3	0,1836	560 x	450	-		105	25,3	28,3	0,2112	BFN		630 x	630	50	195	34	37	0,3477			BF	500	-	130	26,8	29,8	0,2332			550	10	155	28,5	31,5	0,2597		560	15	160	28,8	31,8	0,2650	600	35		180	30,2	33,2	0,2862	630	50			195	31,2	34,2	0,3021	650	60	205				31,9	34,9	0,3127	700	85	230				33,6	36,6	0,3392	710		90	235			33,9	36,9	0,3445			750	110	255		35,3	38,3	0,3657		800		135	280	37	40	0,3922	560 x	900	185		330	40,4	43,4	0,4452	BFN		800	135	280	39,1	42,1	0,4292	BFN			1000	235	380	43,9	46,9	0,4982			180	-	-	16	17,7	0,0648		200	-	-	16,7	18,4	0,0756	225	-	-		17,5	19,2	0,0891	250	-	5			18,4	20,1	0,1026	280	-	20				19,4	21,1	0,1188	300	-	30				20,1	21,8	0,1296	315	-		37			20,7	22,4	0,1377	355			-	57		22	23,7	0,1593			400	-	80	23,6	25,3	0,1836	560 x		450	-	105	25,3	28,3	0,2112	BFN		900	185	330	42,7	45,7	0,4872	BFN			500	-	130	26,8	29,8	0,2332			550	10	155	28,5	31,5	0,2597		560	15	160	28,8	31,8	0,2650	600	35	180		30,2	33,2	0,2862	630	50	195			31,2	34,2	0,3021	650	60	205			31,9		34,9	0,3127	700	85	230			33,6		36,6	0,3392	710	90		235			33,9	36,9	0,3445	750		110		255		35,3	38,3	0,3657			800	135	280	37	40	0,3922	560 x		900	185	330	40,4	43,4	0,4452	BFN		1000	235	380	46,3	49,3	0,5452	BFN			1000	235	380	41,5	44,5	0,4512			180	-	-	15,8	17,5	0,0636		200	-	-	16,5	18,2	0,0742	225	-	-		17,3	19	0,0875	250	-	5			18,2	19,9	0,1007	280	-	20			19,2		20,9	0,1166	300	-	30			19,9		21,6	0,1272	315	-		37			20,4	22,1	0,1352	355		-		57		21,8	23,5	0,1564			400	-	80	23,3	25	0,1802	560 x		450	-	105	25,3	28,3	0,2112	BFN		600 x	630	50	195	35,5	38,5	0,3712			BF	500	-	130	26,8	29,8	0,2332			550	10	155	28,5	31,5	0,2597		560	15	160	28,8	31,8	0,2650	600	35		180	30,2	33,2	0,2862	630	50			195	31,2	34,2	0,3021	650	60	205				31,9	34,9	0,3127	700	85	230				33,6	36,6	0,3392	710		90	235			33,9	36,9	0,3445		750		110	255		35,3	38,3	0,3657		800		135	280	37	40	0,3922	560 x	900	185		330	40,4	43,4	0,4452	BFN		600 x	630	50	195	37,7	40,7	0,4002			BF	1000	235	380	43,9	46,9	0,4982			180	-	-	15,8	17,5	0,0636		200	-	-	16,5	18,2	0,0742	225	-		-	17,3	19	0,0875	250	-			5	18,2	19,9	0,1007	280	-	20				19,2	20,9	0,1166	300	-	30				19,9	21,6	0,1272	315		-	37			20,4	22,1	0,1352		355		-	57		21,8	23,5	0,1564		400		-	80	23,3	25	0,1802	560 x	450	-		105	25,3	28,3	0,2112	BFN		630 x	630	50	195	39,1	42,1	0,4292			BFN	500	-	130	26,8	29,8	0,2332			550	10	155	28,5	31,5	0,2597		560	15	160	28,8	31,8	0,2650	600	35		180	30,2	33,2	0,2862	630	50			195	31,2	34,2	0,3021	650	60	205				31,9	34,9	0,3127	700	85	230				33,6	36,6	0,3392	710		90	235			33,9	36,9	0,3445			750	110	255		35,3	38,3	0,3657		800		135	280	37	40	0,3922	560 x	900	185		330	40,4	43,4	0,4452	BFN		800	135	280	40,3	43,3	0,4514	BFN			1000	235	380	43,9	46,9	0,4982			180	-	-	16	17,7	0,0648		200	-	-	16,7	18,4	0,0756	225	-	-		17,5	19,2	0,0891	250	-	5			18,4	20,1	0,1026	280	-	20			19,4		21,1	0,1188	300	-	30			20,1		21,8	0,1296	315	-		37			20,7	22,4	0,1377	355			-	57		22	23,7	0,1593			400	-	80	23,6	25,3	0,1836																																																																																																																																																																																																																																
	500	-	130	26,8	29,8	0,2332			550	10	155	28,5	31,5	0,2597				560	15	160	28,8	31,8	0,2650				600	35	180	30,2	33,2	0,2862				630	50	195	31,2	34,2	0,3021				650	60	205	31,9	34,9	0,3127			550 x	700	85	230	33,6	36,6	0,3392		BF		1000	235	380	44,4	47,4	0,5076	BFN			710	90	235	33,9	36,9	0,3445				750	110	255	35,3	38,3	0,3657			800	135	280	37	40	0,3922		900	185	330	40,4	43,4	0,4452		1000	235	380	43,9	46,9	0,4982			180	-	-	16	17,7	0,0648				200	-	-	16,7	18,4	0,0756				225	-	-	17,5	19,2	0,0891				250	-	5	18,4	20,1	0,1026			560 x	280	-	20	19,4	21,1	0,1188		BFL		560 x	630	50	195	32,9	35,9	0,3306			BF	300	-	30	20,1	21,8	0,1296				315	-	37	20,7	22,4	0,1377			355	-	57	22	23,7	0,1593		400	-	80	23,6	25,3		0,1836	450	-	105	25,3	28,3	0,2112		550 x	500	-	130	26,8	29,8	0,2332	BFN			600	35	180	28,3	31,3	0,2552			BFN	550	10	155	28,5	31,5	0,2597				560	15	160	28,8	31,8	0,2650			600	35	180	30,2	33,2	0,2862		630	50	195	31,2	34,2	0,3021	650	60		205	31,9	34,9	0,3127	700	85	230			33,6	36,6	0,3392	710	90	235				33,9	36,9	0,3445	750	110	255			35,3		38,3	0,3657	800	135	280				37	40	0,3922	560 x		900	185	330		40,4	43,4	0,4452	BFN			600 x	630	50	195	32,9	35,9	0,3306			BF	1000	235	380	43,9	46,9	0,4982				180	-	-	16	17,7		0,0648		200	-	-	16,7	18,4	0,0756		225	-	-	17,5	19,2	0,0891	250	-		5	18,4	20,1	0,1026	280	-			20	19,4	21,1	0,1188	300	-	30				20,1	21,8	0,1296	315	-	37				20,7	22,4		0,1377	355	-	57			22	23,7	0,1593		400	-	80	23,6		25,3	0,1836	560 x	450	-		105	25,3	28,3	0,2112	BFN		630 x	630	50	195	34	37	0,3477			BF	500	-	130	26,8	29,8	0,2332				550	10	155	28,5	31,5	0,2597			560	15	160	28,8	31,8	0,2650		600	35	180	30,2	33,2	0,2862	630	50		195	31,2	34,2	0,3021	650	60			205	31,9	34,9	0,3127	700	85	230				33,6	36,6	0,3392	710	90	235				33,9	36,9	0,3445	750		110	255			35,3	38,3	0,3657		800	135	280	37		40	0,3922	560 x	900	185		330	40,4	43,4	0,4452	BFN		800	135	280	39,1	42,1	0,4292	BFN			1000	235	380	43,9	46,9	0,4982				180	-	-	16	17,7	0,0648			200	-	-	16,7	18,4	0,0756		225	-	-	17,5	19,2	0,0891	250	-	5		18,4	20,1	0,1026	280	-	20			19,4	21,1	0,1188	300	-	30				20,1	21,8	0,1296	315	-	37				20,7	22,4	0,1377	355	-		57			22	23,7	0,1593	400		-	80	23,6		25,3	0,1836	560 x		450	-	105	25,3	28,3	0,2112	BFN		900	185	330	42,7	45,7	0,4872	BFN			500	-	130	26,8	29,8	0,2332				550	10	155	28,5	31,5	0,2597			560	15	160	28,8	31,8	0,2650		600	35	180	30,2	33,2	0,2862	630	50	195		31,2	34,2	0,3021	650	60	205			31,9	34,9	0,3127	700	85	230			33,6		36,6	0,3392	710	90	235			33,9		36,9	0,3445	750	110		255			35,3	38,3	0,3657	800		135	280	37		40	0,3922	560 x		900	185	330	40,4	43,4	0,4452	BFN		1000	235	380	46,3	49,3	0,5452	BFN			1000	235	380	41,5	44,5	0,4512				180	-	-	15,8	17,5	0,0636			200	-	-	16,5	18,2	0,0742		225	-	-	17,3	19	0,0875	250	-	5		18,2	19,9	0,1007	280	-	20			19,2	20,9	0,1166	300	-	30			19,9		21,6	0,1272	315	-	37			20,4		22,1	0,1352	355	-		57			21,8	23,5	0,1564	400		-	80	23,3		25	0,1802	560 x		450	-	105	25,3	28,3	0,2112	BFN		600 x	630	50	195	35,5	38,5	0,3712			BF	500	-	130	26,8	29,8	0,2332				550	10	155	28,5	31,5	0,2597			560	15	160	28,8	31,8	0,2650		600	35	180	30,2	33,2	0,2862	630	50		195	31,2	34,2	0,3021	650	60			205	31,9	34,9	0,3127	700	85	230				33,6	36,6	0,3392	710	90	235				33,9	36,9	0,3445	750		110	255			35,3	38,3	0,3657		800	135	280	37		40	0,3922	560 x	900	185		330	40,4	43,4	0,4452	BFN		600 x	630	50	195	37,7	40,7	0,4002			BF	1000	235	380	43,9	46,9	0,4982				180	-	-	15,8	17,5	0,0636			200	-	-	16,5	18,2	0,0742		225	-	-	17,3	19	0,0875	250	-		5	18,2	19,9	0,1007	280	-			20	19,2	20,9	0,1166	300	-	30				19,9	21,6	0,1272	315	-	37				20,4	22,1	0,1352	355		-	57			21,8	23,5	0,1564		400	-	80	23,3		25	0,1802	560 x	450	-		105	25,3	28,3	0,2112	BFN		630 x	630	50	195	39,1	42,1	0,4292			BFN	500	-	130	26,8	29,8	0,2332				550	10	155	28,5	31,5	0,2597			560	15	160	28,8	31,8	0,2650		600	35	180	30,2	33,2	0,2862	630	50		195	31,2	34,2	0,3021	650	60			205	31,9	34,9	0,3127	700	85	230				33,6	36,6	0,3392	710	90	235				33,9	36,9	0,3445	750		110	255			35,3	38,3	0,3657		800	135	280	37		40	0,3922	560 x	900	185		330	40,4	43,4	0,4452	BFN		800	135	280	40,3	43,3	0,4514	BFN			1000	235	380	43,9	46,9	0,4982				180	-	-	16	17,7	0,0648			200	-	-	16,7	18,4	0,0756		225	-	-	17,5	19,2	0,0891	250	-	5		18,4	20,1	0,1026	280	-	20			19,4	21,1	0,1188	300	-	30			20,1		21,8	0,1296	315	-	37			20,7		22,4	0,1377	355	-		57			22	23,7	0,1593	400		-	80	23,6		25,3	0,1836																																																																																																																																																																																																																																									
	550	10	155	28,5	31,5	0,2597			560	15	160	28,8	31,8	0,2650				600	35	180	30,2	33,2	0,2862				630	50	195	31,2	34,2	0,3021				650	60	205	31,9	34,9	0,3127			550 x	700	85	230	33,6	36,6	0,3392		BF		1000	235	380	44,4	47,4	0,5076	BFN			710	90	235	33,9	36,9	0,3445				750	110	255	35,3	38,3	0,3657				800	135	280	37	40	0,3922			900	185	330	40,4	43,4	0,4452		1000	235	380	43,9	46,9	0,4982		180	-	-	16	17,7	0,0648			200	-	-	16,7	18,4	0,0756				225	-	-	17,5	19,2	0,0891				250	-	5	18,4	20,1	0,1026			560 x	280	-	20	19,4	21,1	0,1188		BFL		560 x	630	50	195	32,9	35,9	0,3306			BF	300	-	30	20,1	21,8	0,1296				315	-	37	20,7	22,4	0,1377				355	-	57	22	23,7	0,1593			400	-	80	23,6	25,3	0,1836		450	-	105	25,3	28,3	0,2112	550 x	500	-	130	26,8	29,8	0,2332	BFN		600	35	180	28,3	31,3	0,2552			BFN	550	10	155	28,5	31,5	0,2597				560	15	160	28,8	31,8	0,2650				600	35	180	30,2	33,2	0,2862			630	50	195	31,2	34,2	0,3021		650	60	205	31,9	34,9	0,3127	700	85		230	33,6	36,6	0,3392	710	90	235			33,9	36,9	0,3445	750	110	255				35,3	38,3	0,3657	800	135	280			37		40	0,3922	560 x	900	185	330			40,4	43,4	0,4452		BFN	600 x	630	50		195	32,9	35,9			0,3306	BF	1000	235	380	43,9	46,9	0,4982				180	-	-	16	17,7	0,0648				200	-	-	16,7	18,4		0,0756		225	-	-	17,5	19,2	0,0891		250	-	5	18,4	20,1	0,1026	280	-		20	19,4	21,1	0,1188	300	-			30	20,1	21,8	0,1296	315	-	37				20,7	22,4	0,1377	355	-	57				22	23,7	0,1593	400	-	80	23,6			25,3	0,1836	560 x	450	-	105	25,3	28,3		0,2112	BFN		630 x	630	50	195	34	37	0,3477			BF	500	-	130	26,8	29,8	0,2332				550	10	155	28,5	31,5	0,2597				560	15	160	28,8	31,8	0,2650			600	35	180	30,2	33,2	0,2862		630	50	195	31,2	34,2	0,3021	650	60		205	31,9	34,9	0,3127	700	85			230	33,6	36,6	0,3392	710	90	235				33,9	36,9	0,3445	750	110	255				35,3	38,3	0,3657	800	135	280	37			40	0,3922	560 x	900	185	330	40,4	43,4		0,4452	BFN		800	135	280	39,1	42,1	0,4292	BFN			1000	235	380	43,9	46,9	0,4982				180	-	-	16	17,7	0,0648				200	-	-	16,7	18,4	0,0756			225	-	-	17,5	19,2	0,0891		250	-	5	18,4	20,1	0,1026	280	-	20		19,4	21,1	0,1188	300	-	30			20,1	21,8	0,1296	315	-	37				20,7	22,4	0,1377	355	-	57				22	23,7	0,1593	400	-	80	23,6			25,3	0,1836	560 x	450	-	105	25,3	28,3		0,2112	BFN		900	185	330	42,7	45,7	0,4872	BFN			500	-	130	26,8	29,8	0,2332				550	10	155	28,5	31,5	0,2597				560	15	160	28,8	31,8	0,2650			600	35	180	30,2	33,2	0,2862		630	50	195	31,2	34,2	0,3021	650	60	205		31,9	34,9	0,3127	700	85	230			33,6	36,6	0,3392	710	90	235			33,9		36,9	0,3445	750	110	255			35,3		38,3	0,3657	800	135	280	37			40	0,3922	560 x	900	185	330	40,4	43,4		0,4452	BFN		1000	235	380	46,3	49,3	0,5452	BFN			1000	235	380	41,5	44,5	0,4512				180	-	-	15,8	17,5	0,0636				200	-	-	16,5	18,2	0,0742			225	-	-	17,3	19	0,0875		250	-	5	18,2	19,9	0,1007	280	-	20		19,2	20,9	0,1166	300	-	30			19,9	21,6	0,1272	315	-	37			20,4		22,1	0,1352	355	-	57			21,8		23,5	0,1564	400	-	80	23,3			25	0,1802	560 x	450	-	105	25,3	28,3		0,2112	BFN		600 x	630	50	195	35,5	38,5	0,3712			BF	500	-	130	26,8	29,8	0,2332				550	10	155	28,5	31,5	0,2597				560	15	160	28,8	31,8	0,2650			600	35	180	30,2	33,2	0,2862		630	50	195	31,2	34,2	0,3021	650	60		205	31,9	34,9	0,3127	700	85			230	33,6	36,6	0,3392	710	90	235				33,9	36,9	0,3445	750	110	255				35,3	38,3	0,3657	800	135	280	37			40	0,3922	560 x	900	185	330	40,4	43,4		0,4452	BFN		600 x	630	50	195	37,7	40,7	0,4002			BF	1000	235	380	43,9	46,9	0,4982				180	-	-	15,8	17,5	0,0636				200	-	-	16,5	18,2	0,0742			225	-	-	17,3	19	0,0875		250	-	5	18,2	19,9	0,1007	280	-		20	19,2	20,9	0,1166	300	-			30	19,9	21,6	0,1272	315	-	37				20,4	22,1	0,1352	355	-	57				21,8	23,5	0,1564	400	-	80	23,3			25	0,1802	560 x	450	-	105	25,3	28,3		0,2112	BFN		630 x	630	50	195	39,1	42,1	0,4292			BFN	500	-	130	26,8	29,8	0,2332				550	10	155	28,5	31,5	0,2597				560	15	160	28,8	31,8	0,2650			600	35	180	30,2	33,2	0,2862		630	50	195	31,2	34,2	0,3021	650	60		205	31,9	34,9	0,3127	700	85			230	33,6	36,6	0,3392	710	90	235				33,9	36,9	0,3445	750	110	255				35,3	38,3	0,3657	800	135	280	37			40	0,3922	560 x	900	185	330	40,4	43,4		0,4452	BFN		800	135	280	40,3	43,3	0,4514	BFN			1000	235	380	43,9	46,9	0,4982				180	-	-	16	17,7	0,0648				200	-	-	16,7	18,4	0,0756			225	-	-	17,5	19,2	0,0891		250	-	5	18,4	20,1	0,1026	280	-	20		19,4	21,1	0,1188	300	-	30			20,1	21,8	0,1296	315	-	37			20,7		22,4	0,1377	355	-	57			22		23,7	0,1593	400	-	80	23,6			25,3	0,1836																																																																																																																																																																																																																																																		
	560	15	160	28,8	31,8	0,2650			600	35	180	30,2	33,2	0,2862				630	50	195	31,2	34,2	0,3021				650	60	205	31,9	34,9	0,3127			550 x	700	85	230	33,6	36,6	0,3392		BF		1000	235	380	44,4	47,4	0,5076	BFN			710	90	235	33,9	36,9	0,3445				750	110	255	35,3	38,3	0,3657				800	135	280	37	40	0,3922				900	185	330	40,4	43,4	0,4452			1000	235	380	43,9	46,9	0,4982		180	-	-	16	17,7	0,0648		200	-	-	16,7	18,4	0,0756			225	-	-	17,5	19,2	0,0891				250	-	5	18,4	20,1	0,1026			560 x	280	-	20	19,4	21,1	0,1188		BFL		560 x	630	50	195	32,9	35,9	0,3306			BF	300	-	30	20,1	21,8	0,1296				315	-	37	20,7	22,4	0,1377				355	-	57	22	23,7	0,1593				400	-	80	23,6	25,3	0,1836			450	-	105	25,3	28,3	0,2112		550 x	500	-	130	26,8	29,8		0,2332	BFN	600	35	180	28,3			31,3	0,2552	BFN	550	10	155				28,5	31,5	0,2597	560	15	160				28,8	31,8	0,2650	600	35	180				30,2	33,2	0,2862	630	50	195			31,2	34,2	0,3021	650	60	205		31,9	34,9	0,3127	700	85	230	33,6	36,6		0,3392	710	90	235	33,9	36,9	0,3445			750	110	255	35,3	38,3	0,3657				800	135	280	37	40	0,3922			560 x	900	185	330		40,4	43,4	0,4452		BFN	600 x	630	50			195	32,9	35,9	0,3306	BF	1000	235			380		43,9	46,9	0,4982	180	-	-				16	17,7	0,0648	200	-	-				16,7	18,4	0,0756	225	-		-		17,5	19,2	0,0891	250	-	5		18,4	20,1	0,1026	280	-	20	19,4	21,1		0,1188	300	-	30	20,1	21,8			0,1296	315	-	37	20,7	22,4	0,1377				355	-	57	22	23,7	0,1593		400		-	80	23,6	25,3	0,1836	560 x	450	-		105	25,3		28,3	0,2112	BFN	630 x	630	50	195			34	37	0,3477	BF	500	-	130				26,8	29,8	0,2332	550	10	155				28,5	31,5	0,2597	560	15	160				28,8	31,8	0,2650	600	35	180			30,2	33,2	0,2862	630	50	195		31,2	34,2	0,3021	650	60	205	31,9	34,9		0,3127	700	85	230	33,6	36,6			0,3392	710	90	235	33,9	36,9	0,3445				750	110	255	35,3	38,3	0,3657			800	135	280	37	40	0,3922	560 x	900	185		330	40,4		43,4	0,4452	BFN	800	135	280	39,1			42,1	0,4292	BFN	1000	235	380				43,9	46,9	0,4982	180	-	-				16	17,7	0,0648	200	-	-				16,7	18,4	0,0756	225	-	-			17,5	19,2	0,0891	250	-	5		18,4	20,1	0,1026	280	-	20	19,4	21,1	0,1188		300	-	30	20,1	21,8	0,1296			315	-	37	20,7	22,4	0,1377				355	-	57	22	23,7	0,1593			400	-	80	23,6	25,3	0,1836	560 x	450		-	105	25,3		28,3	0,2112	BFN	900	185	330	42,7			45,7	0,4872	BFN	500	-	130				26,8	29,8	0,2332	550	10	155				28,5	31,5	0,2597	560	15	160				28,8	31,8	0,2650	600	35	180			30,2	33,2	0,2862	630	50	195		31,2	34,2	0,3021	650	60	205	31,9	34,9	0,3127		700	85	230	33,6	36,6	0,3392			710	90	235	33,9	36,9	0,3445			750		110	255	35,3	38,3	0,3657			800	135	280	37	40	0,3922	560 x	900		185	330	40,4		43,4	0,4452	BFN	1000	235	380	46,3			49,3	0,5452	BFN	1000	235	380				41,5	44,5	0,4512	180	-	-				15,8	17,5	0,0636	200	-	-				16,5	18,2	0,0742	225	-	-			17,3	19	0,0875	250	-	5		18,2	19,9	0,1007	280	-	20	19,2	20,9	0,1166		300	-	30	19,9	21,6	0,1272			315	-	37	20,4	22,1	0,1352			355		-	57	21,8	23,5	0,1564			400	-	80	23,3	25	0,1802	560 x	450		-	105	25,3		28,3	0,2112	BFN	600 x	630	50	195			35,5	38,5	0,3712	BF	500	-	130				26,8	29,8	0,2332	550	10	155				28,5	31,5	0,2597	560	15	160				28,8	31,8	0,2650	600	35	180			30,2	33,2	0,2862	630	50	195		31,2	34,2	0,3021	650	60	205	31,9	34,9		0,3127	700	85	230	33,6	36,6			0,3392	710	90	235	33,9	36,9	0,3445				750	110	255	35,3	38,3	0,3657			800	135	280	37	40	0,3922	560 x	900	185		330	40,4		43,4	0,4452	BFN	600 x	630	50	195			37,7	40,7	0,4002	BF	1000	235	380				43,9	46,9	0,4982	180	-	-				15,8	17,5	0,0636	200	-	-				16,5	18,2	0,0742	225	-	-			17,3	19	0,0875	250	-	5		18,2	19,9	0,1007	280	-	20	19,2	20,9		0,1166	300	-	30	19,9	21,6			0,1272	315	-	37	20,4	22,1	0,1352				355	-	57	21,8	23,5	0,1564			400	-	80	23,3	25	0,1802	560 x	450	-		105	25,3		28,3	0,2112	BFN	630 x	630	50	195			39,1	42,1	0,4292	BFN	500	-	130				26,8	29,8	0,2332	550	10	155				28,5	31,5	0,2597	560	15	160				28,8	31,8	0,2650	600	35	180			30,2	33,2	0,2862	630	50	195		31,2	34,2	0,3021	650	60	205	31,9	34,9		0,3127	700	85	230	33,6	36,6			0,3392	710	90	235	33,9	36,9	0,3445				750	110	255	35,3	38,3	0,3657			800	135	280	37	40	0,3922	560 x	900	185		330	40,4		43,4	0,4452	BFN	800	135	280	40,3			43,3	0,4514	BFN	1000	235	380				43,9	46,9	0,4982	180	-	-				16	17,7	0,0648	200	-	-				16,7	18,4	0,0756	225	-	-			17,5	19,2	0,0891	250	-	5		18,4	20,1	0,1026	280	-	20	19,4	21,1	0,1188		300	-	30	20,1	21,8	0,1296			315	-	37	20,7	22,4	0,1377			355		-	57	22	23,7	0,1593			400	-	80	23,6	25,3	0,1836																																																																																																																																																																																																																																																								
	600	35	180	30,2	33,2	0,2862			630	50	195	31,2	34,2	0,3021				650	60	205	31,9	34,9	0,3127		550 x		700	85	230	33,6	36,6	0,3392	BF			1000	235	380	44,4	47,4	0,5076	BFN			710	90	235	33,9	36,9	0,3445				750	110	255	35,3	38,3	0,3657				800	135	280	37	40	0,3922				900	185	330	40,4	43,4	0,4452				1000	235	380	43,9	46,9	0,4982			180	-	-	16	17,7	0,0648		200	-	-	16,7	18,4	0,0756		225	-	-	17,5	19,2	0,0891			250	-	5	18,4	20,1	0,1026		560 x		280	-	20	19,4	21,1	0,1188	BFL			560 x	630	50	195	32,9	35,9	0,3306			BF	300	-	30	20,1	21,8	0,1296				315	-	37	20,7	22,4	0,1377				355	-	57	22	23,7	0,1593				400	-	80	23,6	25,3	0,1836		450		-	105	25,3	28,3	0,2112	550 x	500		-	130	26,8	29,8	0,2332	BFN	600		35	180	28,3	31,3	0,2552		BFN		550	10	155	28,5			31,5	0,2597		560	15	160				28,8	31,8	0,2650	600	35	180				30,2	33,2	0,2862	630	50	195				31,2	34,2	0,3021	650	60	205			31,9	34,9	0,3127	700	85	230		33,6	36,6	0,3392	710	90	235	33,9	36,9		0,3445	750	110	255	35,3	38,3	0,3657			800	135	280	37	40	0,3922			560 x	900	185	330	40,4	43,4	0,4452		BFN		600 x	630	50		195	32,9	35,9	0,3306		BF	1000	235			380	43,9	46,9	0,4982		180	-			-		16	17,7	0,0648	200	-	-				16,7	18,4	0,0756	225	-	-				17,5	19,2	0,0891	250	-		5		18,4	20,1	0,1026	280	-	20		19,4	21,1	0,1188	300	-	30	20,1	21,8		0,1296	315	-	37	20,7	22,4			0,1377	355	-	57	22	23,7	0,1593		400		-	80	23,6	25,3	0,1836	560 x	450	-		105	25,3	28,3	0,2112	BFN		630 x	630	50	195	34		37	0,3477		BF	500	-	130			26,8	29,8	0,2332		550	10	155				28,5	31,5	0,2597	560	15	160				28,8	31,8	0,2650	600	35	180				30,2	33,2	0,2862	630	50	195			31,2	34,2	0,3021	650	60	205		31,9	34,9	0,3127	700	85	230	33,6	36,6		0,3392	710	90	235	33,9	36,9			0,3445	750	110	255	35,3	38,3	0,3657			800	135	280	37	40	0,3922	560 x	900		185	330	40,4	43,4	0,4452	BFN		800	135	280	39,1	42,1		0,4292	BFN		1000	235	380	43,9			46,9	0,4982		180	-	-				16	17,7	0,0648	200	-	-				16,7	18,4	0,0756	225	-	-				17,5	19,2	0,0891	250	-	5			18,4	20,1	0,1026	280	-	20		19,4	21,1	0,1188	300	-	30	20,1	21,8	0,1296		315	-	37	20,7	22,4	0,1377			355	-	57	22	23,7	0,1593			400	-	80	23,6	25,3	0,1836	560 x		450	-	105	25,3	28,3	0,2112	BFN		900	185	330	42,7	45,7		0,4872	BFN		500	-	130	26,8			29,8	0,2332		550	10	155				28,5	31,5	0,2597	560	15	160				28,8	31,8	0,2650	600	35	180				30,2	33,2	0,2862	630	50	195			31,2	34,2	0,3021	650	60	205		31,9	34,9	0,3127	700	85	230	33,6	36,6	0,3392		710	90	235	33,9	36,9	0,3445			750	110	255	35,3	38,3	0,3657			800	135	280	37	40	0,3922	560 x		900	185	330	40,4	43,4	0,4452	BFN		1000	235	380	46,3	49,3		0,5452	BFN		1000	235	380	41,5			44,5	0,4512		180	-	-				15,8	17,5	0,0636	200	-	-				16,5	18,2	0,0742	225	-	-				17,3	19	0,0875	250	-	5			18,2	19,9	0,1007	280	-	20		19,2	20,9	0,1166	300	-	30	19,9	21,6	0,1272		315	-	37	20,4	22,1	0,1352			355	-	57	21,8	23,5	0,1564			400	-	80	23,3	25	0,1802	560 x		450	-	105	25,3	28,3	0,2112	BFN		600 x	630	50	195	35,5		38,5	0,3712		BF	500	-	130			26,8	29,8	0,2332		550	10	155				28,5	31,5	0,2597	560	15	160				28,8	31,8	0,2650	600	35	180				30,2	33,2	0,2862	630	50	195			31,2	34,2	0,3021	650	60	205		31,9	34,9	0,3127	700	85	230	33,6	36,6		0,3392	710	90	235	33,9	36,9			0,3445	750	110	255	35,3	38,3	0,3657			800	135	280	37	40	0,3922	560 x	900		185	330	40,4	43,4	0,4452	BFN		600 x	630	50	195	37,7		40,7	0,4002		BF	1000	235	380			43,9	46,9	0,4982		180	-	-				15,8	17,5	0,0636	200	-	-				16,5	18,2	0,0742	225	-	-				17,3	19	0,0875	250	-	5			18,2	19,9	0,1007	280	-	20		19,2	20,9	0,1166	300	-	30	19,9	21,6		0,1272	315	-	37	20,4	22,1			0,1352	355	-	57	21,8	23,5	0,1564			400	-	80	23,3	25	0,1802	560 x	450		-	105	25,3	28,3	0,2112	BFN		630 x	630	50	195	39,1		42,1	0,4292		BFN	500	-	130			26,8	29,8	0,2332		550	10	155				28,5	31,5	0,2597	560	15	160				28,8	31,8	0,2650	600	35	180				30,2	33,2	0,2862	630	50	195			31,2	34,2	0,3021	650	60	205		31,9	34,9	0,3127	700	85	230	33,6	36,6		0,3392	710	90	235	33,9	36,9			0,3445	750	110	255	35,3	38,3	0,3657			800	135	280	37	40	0,3922	560 x	900		185	330	40,4	43,4	0,4452	BFN		800	135	280	40,3	43,3		0,4514	BFN		1000	235	380	43,9			46,9	0,4982		180	-	-				16	17,7	0,0648	200	-	-				16,7	18,4	0,0756	225	-	-				17,5	19,2	0,0891	250	-	5			18,4	20,1	0,1026	280	-	20		19,4	21,1	0,1188	300	-	30	20,1	21,8	0,1296		315	-	37	20,7	22,4	0,1377			355	-	57	22	23,7	0,1593			400	-	80	23,6	25,3	0,1836																																																																																																																																																																																																																																																																	
	630	50	195	31,2	34,2	0,3021			650	60	205	31,9	34,9	0,3127	550 x			700	85	230	33,6	36,6	0,3392	BF			1000	235	380	44,4	47,4	0,5076		BFN		710	90	235	33,9	36,9	0,3445				750	110	255	35,3	38,3	0,3657				800	135	280	37	40	0,3922				900	185	330	40,4	43,4	0,4452				1000	235	380	43,9	46,9	0,4982				180	-	-	16	17,7	0,0648			200	-	-	16,7	18,4	0,0756		225	-	-	17,5	19,2	0,0891		250	-	5	18,4	20,1	0,1026	560 x		280	-	20	19,4	21,1	0,1188	BFL			560 x	630	50	195	32,9	35,9		0,3306		BF	300	-	30	20,1	21,8	0,1296				315	-	37	20,7	22,4	0,1377				355	-	57	22	23,7	0,1593				400	-	80	23,6	25,3	0,1836		450		-	105	25,3	28,3	0,2112	550 x	500	-		130	26,8	29,8	0,2332	BFN		600	35	180	28,3	31,3	0,2552	BFN		550		10	155	28,5	31,5	0,2597				560	15	160	28,8			31,8	0,2650		600	35	180				30,2	33,2	0,2862	630	50	195				31,2	34,2	0,3021	650	60	205				31,9	34,9	0,3127	700	85	230			33,6	36,6	0,3392	710	90	235		33,9	36,9	0,3445	750	110	255	35,3	38,3		0,3657	800	135	280	37	40	0,3922		560 x	900	185	330	40,4	43,4	0,4452		BFN		600 x	630	50	195	32,9	35,9	0,3306			BF	1000	235		380	43,9	46,9	0,4982			180	-			-	16	17,7	0,0648		200	-			-		16,7	18,4	0,0756	225	-	-				17,5	19,2	0,0891	250	-	5				18,4	20,1	0,1026	280	-		20		19,4	21,1	0,1188	300	-	30		20,1	21,8	0,1296	315	-	37	20,7	22,4		0,1377	355	-	57	22	23,7		0,1593	400	-	80	23,6	25,3	0,1836	560 x	450	-		105	25,3	28,3	0,2112	BFN		630 x	630	50	195	34	37	0,3477			BF	500	-	130	26,8		29,8	0,2332			550	10	155			28,5	31,5	0,2597		560	15	160				28,8	31,8	0,2650	600	35	180				30,2	33,2	0,2862	630	50	195				31,2	34,2	0,3021	650	60	205			31,9	34,9	0,3127	700	85	230		33,6	36,6	0,3392	710	90	235	33,9	36,9		0,3445	750	110	255	35,3	38,3		0,3657	800	135	280	37	40	0,3922	560 x	900		185	330	40,4	43,4	0,4452	BFN		800	135	280	39,1	42,1	0,4292	BFN			1000	235	380	43,9	46,9		0,4982			180	-	-	16			17,7	0,0648		200	-	-				16,7	18,4	0,0756	225	-	-				17,5	19,2	0,0891	250	-	5				18,4	20,1	0,1026	280	-	20			19,4	21,1	0,1188	300	-	30		20,1	21,8	0,1296	315	-	37	20,7	22,4	0,1377		355	-	57	22	23,7	0,1593		400	-	80	23,6	25,3	0,1836	560 x		450	-	105	25,3	28,3	0,2112	BFN		900	185	330	42,7	45,7	0,4872	BFN			500	-	130	26,8	29,8		0,2332			550	10	155	28,5			31,5	0,2597		560	15	160				28,8	31,8	0,2650	600	35	180				30,2	33,2	0,2862	630	50	195				31,2	34,2	0,3021	650	60	205			31,9	34,9	0,3127	700	85	230		33,6	36,6	0,3392	710	90	235	33,9	36,9	0,3445		750	110	255	35,3	38,3	0,3657		800	135	280	37	40	0,3922	560 x		900	185	330	40,4	43,4	0,4452	BFN		1000	235	380	46,3	49,3	0,5452	BFN			1000	235	380	41,5	44,5		0,4512			180	-	-	15,8			17,5	0,0636		200	-	-				16,5	18,2	0,0742	225	-	-				17,3	19	0,0875	250	-	5				18,2	19,9	0,1007	280	-	20			19,2	20,9	0,1166	300	-	30		19,9	21,6	0,1272	315	-	37	20,4	22,1	0,1352		355	-	57	21,8	23,5	0,1564		400	-	80	23,3	25	0,1802	560 x		450	-	105	25,3	28,3	0,2112	BFN		600 x	630	50	195	35,5	38,5	0,3712			BF	500	-	130	26,8		29,8	0,2332			550	10	155			28,5	31,5	0,2597		560	15	160				28,8	31,8	0,2650	600	35	180				30,2	33,2	0,2862	630	50	195				31,2	34,2	0,3021	650	60	205			31,9	34,9	0,3127	700	85	230		33,6	36,6	0,3392	710	90	235	33,9	36,9		0,3445	750	110	255	35,3	38,3		0,3657	800	135	280	37	40	0,3922	560 x	900		185	330	40,4	43,4	0,4452	BFN		600 x	630	50	195	37,7	40,7	0,4002			BF	1000	235	380	43,9		46,9	0,4982			180	-	-			15,8	17,5	0,0636		200	-	-				16,5	18,2	0,0742	225	-	-				17,3	19	0,0875	250	-	5				18,2	19,9	0,1007	280	-	20			19,2	20,9	0,1166	300	-	30		19,9	21,6	0,1272	315	-	37	20,4	22,1		0,1352	355	-	57	21,8	23,5		0,1564	400	-	80	23,3	25	0,1802	560 x	450		-	105	25,3	28,3	0,2112	BFN		630 x	630	50	195	39,1	42,1	0,4292			BFN	500	-	130	26,8		29,8	0,2332			550	10	155			28,5	31,5	0,2597		560	15	160				28,8	31,8	0,2650	600	35	180				30,2	33,2	0,2862	630	50	195				31,2	34,2	0,3021	650	60	205			31,9	34,9	0,3127	700	85	230		33,6	36,6	0,3392	710	90	235	33,9	36,9		0,3445	750	110	255	35,3	38,3		0,3657	800	135	280	37	40	0,3922	560 x	900		185	330	40,4	43,4	0,4452	BFN		800	135	280	40,3	43,3	0,4514	BFN			1000	235	380	43,9	46,9		0,4982			180	-	-	16			17,7	0,0648		200	-	-				16,7	18,4	0,0756	225	-	-				17,5	19,2	0,0891	250	-	5				18,4	20,1	0,1026	280	-	20			19,4	21,1	0,1188	300	-	30		20,1	21,8	0,1296	315	-	37	20,7	22,4	0,1377		355	-	57	22	23,7	0,1593		400	-	80	23,6	25,3	0,1836																																																																																																																																																																																																																																																																										
	650	60	205	31,9	34,9	0,3127		550 x	700	85	230	33,6	36,6	0,3392		BF		1000	235	380	44,4	47,4	0,5076			BFN	710	90	235	33,9	36,9	0,3445				750	110	255	35,3	38,3	0,3657				800	135	280	37	40	0,3922				900	185	330	40,4	43,4	0,4452				1000	235	380	43,9	46,9	0,4982				180	-	-	16	17,7	0,0648				200	-	-	16,7	18,4	0,0756			225	-	-	17,5	19,2	0,0891		250	-	5	18,4	20,1	0,1026	560 x	280	-	20	19,4	21,1	0,1188		BFL	560 x	630	50	195	32,9	35,9			0,3306	BF	300	-	30	20,1	21,8		0,1296			315	-	37	20,7	22,4	0,1377				355	-	57	22	23,7	0,1593				400	-	80	23,6	25,3	0,1836		450		-	105	25,3	28,3	0,2112	550 x	500	-		130	26,8	29,8	0,2332	BFN		600	35	180	28,3	31,3	0,2552	BFN			550	10	155	28,5	31,5	0,2597			560		15	160	28,8	31,8	0,2650				600	35	180	30,2			33,2	0,2862		630	50	195				31,2	34,2	0,3021	650	60	205				31,9	34,9	0,3127	700	85	230				33,6	36,6	0,3392	710	90	235			33,9	36,9	0,3445	750	110	255		35,3	38,3	0,3657	800	135	280	37	40	0,3922	560 x	900	185	330	40,4	43,4	0,4452	BFN		600 x	630	50	195	32,9	35,9	0,3306			BF	1000	235	380	43,9	46,9	0,4982				180	-		-	16	17,7	0,0648			200	-			-	16,7	18,4	0,0756		225	-			-		17,5	19,2	0,0891	250	-	5				18,4	20,1	0,1026	280	-	20				19,4	21,1	0,1188	300	-		30		20,1	21,8	0,1296	315	-	37		20,7	22,4	0,1377	355	-	57	22	23,7	0,1593	400	-	80	23,6	25,3	0,1836	560 x	450	-	105	25,3	28,3	0,2112	BFN		630 x	630	50	195	34	37	0,3477			BF	500	-	130	26,8	29,8	0,2332				550	10	155	28,5		31,5	0,2597			560	15	160			28,8	31,8	0,2650		600	35	180				30,2	33,2	0,2862	630	50	195				31,2	34,2	0,3021	650	60	205				31,9	34,9	0,3127	700	85	230			33,6	36,6	0,3392	710	90	235		33,9	36,9	0,3445	750	110	255	35,3	38,3	0,3657	800	135	280	37	40	0,3922	560 x	900	185	330	40,4	43,4	0,4452	BFN		800	135	280	39,1	42,1	0,4292	BFN			1000	235	380	43,9	46,9	0,4982				180	-	-	16	17,7		0,0648			200	-	-	16,7			18,4	0,0756		225	-	-				17,5	19,2	0,0891	250	-	5				18,4	20,1	0,1026	280	-	20				19,4	21,1	0,1188	300	-	30			20,1	21,8	0,1296	315	-	37		20,7	22,4	0,1377	355	-	57	22	23,7	0,1593	400	-	80	23,6	25,3	0,1836	560 x	450	-	105	25,3	28,3	0,2112	BFN		900	185	330	42,7	45,7	0,4872	BFN			500	-	130	26,8	29,8	0,2332				550	10	155	28,5	31,5		0,2597			560	15	160	28,8			31,8	0,2650		600	35	180				30,2	33,2	0,2862	630	50	195				31,2	34,2	0,3021	650	60	205				31,9	34,9	0,3127	700	85	230			33,6	36,6	0,3392	710	90	235		33,9	36,9	0,3445	750	110	255	35,3	38,3	0,3657	800	135	280	37	40	0,3922	560 x	900	185	330	40,4	43,4	0,4452	BFN		1000	235	380	46,3	49,3	0,5452	BFN			1000	235	380	41,5	44,5	0,4512				180	-	-	15,8	17,5		0,0636			200	-	-	16,5			18,2	0,0742		225	-	-				17,3	19	0,0875	250	-	5				18,2	19,9	0,1007	280	-	20				19,2	20,9	0,1166	300	-	30			19,9	21,6	0,1272	315	-	37		20,4	22,1	0,1352	355	-	57	21,8	23,5	0,1564	400	-	80	23,3	25	0,1802	560 x	450	-	105	25,3	28,3	0,2112	BFN		600 x	630	50	195	35,5	38,5	0,3712			BF	500	-	130	26,8	29,8	0,2332				550	10	155	28,5		31,5	0,2597			560	15	160			28,8	31,8	0,2650		600	35	180				30,2	33,2	0,2862	630	50	195				31,2	34,2	0,3021	650	60	205				31,9	34,9	0,3127	700	85	230			33,6	36,6	0,3392	710	90	235		33,9	36,9	0,3445	750	110	255	35,3	38,3	0,3657	800	135	280	37	40	0,3922	560 x	900	185	330	40,4	43,4	0,4452	BFN		600 x	630	50	195	37,7	40,7	0,4002			BF	1000	235	380	43,9	46,9	0,4982				180	-	-	15,8		17,5	0,0636			200	-	-			16,5	18,2	0,0742		225	-	-				17,3	19	0,0875	250	-	5				18,2	19,9	0,1007	280	-	20				19,2	20,9	0,1166	300	-	30			19,9	21,6	0,1272	315	-	37		20,4	22,1	0,1352	355	-	57	21,8	23,5	0,1564	400	-	80	23,3	25	0,1802	560 x	450	-	105	25,3	28,3	0,2112	BFN		630 x	630	50	195	39,1	42,1	0,4292			BFN	500	-	130	26,8	29,8	0,2332				550	10	155	28,5		31,5	0,2597			560	15	160			28,8	31,8	0,2650		600	35	180				30,2	33,2	0,2862	630	50	195				31,2	34,2	0,3021	650	60	205				31,9	34,9	0,3127	700	85	230			33,6	36,6	0,3392	710	90	235		33,9	36,9	0,3445	750	110	255	35,3	38,3	0,3657	800	135	280	37	40	0,3922	560 x	900	185	330	40,4	43,4	0,4452	BFN		800	135	280	40,3	43,3	0,4514	BFN			1000	235	380	43,9	46,9	0,4982				180	-	-	16	17,7		0,0648			200	-	-	16,7			18,4	0,0756		225	-	-				17,5	19,2	0,0891	250	-	5				18,4	20,1	0,1026	280	-	20				19,4	21,1	0,1188	300	-	30			20,1	21,8	0,1296	315	-	37		20,7	22,4	0,1377	355	-	57	22	23,7	0,1593	400	-	80	23,6	25,3	0,1836																																																																																																																																																																																																																																																																																		
550 x	700	85	230	33,6	36,6	0,3392	BF		1000	235	380	44,4	47,4	0,5076			BFN																																																																																																																																																																																																																																																																																																																																																																																																																																																																																																																																																																																																																																																																																																																																																																																																																																																																																																																																																																																																																																																																																																																																																																																																																																																																																																																																																																																																																																																																
	710	90	235	33,9	36,9	0,3445			750	110	255	35,3	38,3	0,3657				800	135	280	37	40	0,3922				900	185	330	40,4	43,4	0,4452				1000	235	380	43,9	46,9	0,4982				180	-	-	16	17,7	0,0648				200	-	-	16,7	18,4	0,0756				225	-	-	17,5	19,2	0,0891				250	-	5	18,4	20,1	0,1026			560 x	280	-	20	19,4	21,1	0,1188		BFL	560 x	630	50	195	32,9	35,9	0,3306	BF	300	-	30	20,1	21,8		0,1296	315	-	37	20,7	22,4			0,1377	355	-	57	22	23,7			0,1593		400	-	80	23,6	25,3		0,1836			450	-	105	25,3	28,3	0,2112		550 x		500	-	130	26,8	29,8	0,2332	BFN	600		35	180	28,3	31,3	0,2552	BFN	550	10	155	28,5	31,5	0,2597	560	15		160	28,8	31,8	0,2650	600	35	180			30,2	33,2	0,2862	630	50	195				31,2	34,2	0,3021	650	60	205			31,9		34,9	0,3127	700	85	230				33,6	36,6	0,3392	710			90	235		33,9	36,9	0,3445				750	110	255	35,3	38,3	0,3657				800	135	280	37	40	0,3922		560 x		900	185	330	40,4	43,4	0,4452	BFN		600 x	630	50	195	32,9	35,9	0,3306	BF	1000	235	380	43,9	46,9	0,4982	180	-		-	16	17,7	0,0648	200	-			-	16,7	18,4	0,0756	225	-	-				17,5	19,2	0,0891	250	-	5				18,4	20,1		0,1026	280	-	20			19,4	21,1			0,1188	300	-	30		20,1	21,8			0,1296		315	-	37	20,7	22,4	0,1377				355	-	57	22	23,7	0,1593		400		-	80	23,6	25,3	0,1836	560 x	450		-	105	25,3	28,3	0,2112	BFN	630 x	630	50	195	34	37	0,3477	BF	500	-	130	26,8	29,8	0,2332	550	10		155	28,5	31,5	0,2597	560	15			160	28,8	31,8	0,2650	600	35	180				30,2	33,2	0,2862	630	50	195				31,2	34,2	0,3021	650		60	205			31,9	34,9	0,3127			700	85	230		33,6	36,6	0,3392				710	90	235	33,9	36,9	0,3445				750	110	255	35,3	38,3	0,3657		800		135	280	37	40	0,3922	560 x	900		185	330	40,4	43,4	0,4452	BFN	800	135	280	39,1	42,1	0,4292	BFN	1000	235	380	43,9	46,9	0,4982	180	-	-		16	17,7	0,0648	200	-	-			16,7	18,4	0,0756	225	-	-				17,5	19,2	0,0891	250	-	5				18,4	20,1	0,1026	280	-		20			19,4	21,1	0,1188	300			-	30		20,1	21,8	0,1296				315	-	37	20,7	22,4	0,1377				355	-	57	22	23,7	0,1593			400	-	80	23,6	25,3	0,1836	560 x		450	-	105	25,3	28,3	0,2112	BFN	900	185	330	42,7	45,7	0,4872	BFN	500	-	130	26,8	29,8	0,2332	550	10	155		28,5	31,5	0,2597	560	15	160			28,8	31,8	0,2650	600	35	180				30,2	33,2	0,2862	630	50	195				31,2	34,2	0,3021	650	60		205			31,9	34,9	0,3127	700			85	230		33,6	36,6	0,3392				710	90	235	33,9	36,9	0,3445				750	110	255	35,3	38,3	0,3657			800	135	280	37	40	0,3922	560 x		900	185	330	40,4	43,4	0,4452	BFN	1000	235	380	46,3	49,3	0,5452	BFN	1000	235	380	41,5	44,5	0,4512	180	-	-		15,8	17,5	0,0636	200	-	-			16,5	18,2	0,0742	225	-	-				17,3	19	0,0875	250	-	5				18,2	19,9	0,1007	280	-		20			19,2	20,9	0,1166	300			-	30		19,9	21,6	0,1272				315	-	37	20,4	22,1	0,1352				355	-	57	21,8	23,5	0,1564			400	-	80	23,3	25	0,1802	560 x		450	-	105	25,3	28,3	0,2112	BFN	600 x	630	50	195	35,5	38,5	0,3712	BF	500	-	130	26,8	29,8	0,2332	550	10		155	28,5	31,5	0,2597	560	15			160	28,8	31,8	0,2650	600	35	180				30,2	33,2	0,2862	630	50	195				31,2	34,2	0,3021	650		60	205			31,9	34,9	0,3127			700	85	230		33,6	36,6	0,3392				710	90	235	33,9	36,9	0,3445				750	110	255	35,3	38,3	0,3657		800		135	280	37	40	0,3922	560 x	900		185	330	40,4	43,4	0,4452	BFN	600 x	630	50	195	37,7	40,7	0,4002	BF	1000	235	380	43,9	46,9	0,4982	180	-		-	15,8	17,5	0,0636	200	-			-	16,5	18,2	0,0742	225	-	-				17,3	19	0,0875	250	-	5				18,2	19,9	0,1007	280		-	20			19,2	20,9	0,1166			300	-	30		19,9	21,6	0,1272				315	-	37	20,4	22,1	0,1352				355	-	57	21,8	23,5	0,1564		400		-	80	23,3	25	0,1802	560 x	450		-	105	25,3	28,3	0,2112	BFN	630 x	630	50	195	39,1	42,1	0,4292	BFN	500	-	130	26,8	29,8	0,2332	550	10		155	28,5	31,5	0,2597	560	15			160	28,8	31,8	0,2650	600	35	180				30,2	33,2	0,2862	630	50	195				31,2	34,2	0,3021	650		60	205			31,9	34,9	0,3127			700	85	230		33,6	36,6	0,3392				710	90	235	33,9	36,9	0,3445				750	110	255	35,3	38,3	0,3657		800		135	280	37	40	0,3922	560 x	900		185	330	40,4	43,4	0,4452	BFN	800	135	280	40,3	43,3	0,4514	BFN	1000	235	380	43,9	46,9	0,4982	180	-	-		16	17,7	0,0648	200	-	-			16,7	18,4	0,0756	225	-	-				17,5	19,2	0,0891	250	-	5				18,4	20,1	0,1026	280	-		20			19,4	21,1	0,1188	300			-	30		20,1	21,8	0,1296				315	-	37	20,7	22,4	0,1377				355	-	57	22	23,7	0,1593			400	-	80	23,6	25,3	0,1836																																																																																																																																																																																																																																																																																																											
	750	110	255	35,3	38,3	0,3657			800	135	280	37	40	0,3922				900	185	330	40,4	43,4	0,4452				1000	235	380	43,9	46,9	0,4982				180	-	-	16	17,7	0,0648				200	-	-	16,7	18,4	0,0756				225	-	-	17,5	19,2	0,0891				250	-	5	18,4	20,1	0,1026			560 x	280	-	20	19,4	21,1	0,1188		BFL		560 x	630	50	195	32,9	35,9	0,3306		BF	300	-	30	20,1	21,8	0,1296		315	-	37	20,7	22,4		0,1377	355	-	57	22	23,7			0,1593	400	-	80	23,6	25,3			0,1836		450	-	105	25,3	28,3		0,2112	550 x		500	-	130	26,8	29,8	0,2332	BFN			600	35	180	28,3	31,3	0,2552		BFN	550	10	155	28,5	31,5	0,2597		560	15	160	28,8	31,8	0,2650	600	35		180	30,2	33,2	0,2862	630	50	195			31,2	34,2	0,3021	650	60	205				31,9	34,9	0,3127	700	85	230			33,6		36,6	0,3392	710	90	235				33,9	36,9	0,3445	750			110	255		35,3	38,3	0,3657				800	135	280	37	40	0,3922		560 x		900	185	330	40,4	43,4	0,4452	BFN			600 x	630	50	195	32,9	35,9		0,3306	BF	1000	235	380	43,9	46,9	0,4982		180	-	-	16	17,7	0,0648	200	-		-	16,7	18,4	0,0756	225	-			-	17,5	19,2	0,0891	250	-	5				18,4	20,1	0,1026	280	-	20				19,4	21,1		0,1188	300	-	30			20,1	21,8			0,1296	315	-	37		20,7	22,4			0,1377		355	-	57	22	23,7	0,1593		400		-	80	23,6	25,3	0,1836	560 x	450	-		105	25,3	28,3	0,2112	BFN		630 x	630	50	195	34	37	0,3477		BF	500	-	130	26,8	29,8	0,2332		550	10	155	28,5	31,5	0,2597	560	15		160	28,8	31,8	0,2650	600	35			180	30,2	33,2	0,2862	630	50	195				31,2	34,2	0,3021	650	60	205				31,9	34,9	0,3127	700		85	230			33,6	36,6	0,3392			710	90	235		33,9	36,9	0,3445				750	110	255	35,3	38,3	0,3657		800		135	280	37	40	0,3922	560 x	900	185		330	40,4	43,4	0,4452	BFN		800	135	280	39,1	42,1	0,4292	BFN		1000	235	380	43,9	46,9	0,4982		180	-	-	16	17,7	0,0648	200	-	-		16,7	18,4	0,0756	225	-	-			17,5	19,2	0,0891	250	-	5				18,4	20,1	0,1026	280	-	20				19,4	21,1	0,1188	300	-		30			20,1	21,8	0,1296	315			-	37		20,7	22,4	0,1377				355	-	57	22	23,7	0,1593			400	-	80	23,6	25,3	0,1836	560 x		450	-	105	25,3	28,3	0,2112	BFN		900	185	330	42,7	45,7	0,4872	BFN		500	-	130	26,8	29,8	0,2332		550	10	155	28,5	31,5	0,2597	560	15	160		28,8	31,8	0,2650	600	35	180			30,2	33,2	0,2862	630	50	195				31,2	34,2	0,3021	650	60	205				31,9	34,9	0,3127	700	85		230			33,6	36,6	0,3392	710			90	235		33,9	36,9	0,3445				750	110	255	35,3	38,3	0,3657			800	135	280	37	40	0,3922	560 x		900	185	330	40,4	43,4	0,4452	BFN		1000	235	380	46,3	49,3	0,5452	BFN		1000	235	380	41,5	44,5	0,4512		180	-	-	15,8	17,5	0,0636	200	-	-		16,5	18,2	0,0742	225	-	-			17,3	19	0,0875	250	-	5				18,2	19,9	0,1007	280	-	20				19,2	20,9	0,1166	300	-		30			19,9	21,6	0,1272	315			-	37		20,4	22,1	0,1352				355	-	57	21,8	23,5	0,1564			400	-	80	23,3	25	0,1802	560 x		450	-	105	25,3	28,3	0,2112	BFN		600 x	630	50	195	35,5	38,5	0,3712		BF	500	-	130	26,8	29,8	0,2332		550	10	155	28,5	31,5	0,2597	560	15		160	28,8	31,8	0,2650	600	35			180	30,2	33,2	0,2862	630	50	195				31,2	34,2	0,3021	650	60	205				31,9	34,9	0,3127	700		85	230			33,6	36,6	0,3392			710	90	235		33,9	36,9	0,3445				750	110	255	35,3	38,3	0,3657		800		135	280	37	40	0,3922	560 x	900	185		330	40,4	43,4	0,4452	BFN		600 x	630	50	195	37,7	40,7	0,4002		BF	1000	235	380	43,9	46,9	0,4982		180	-	-	15,8	17,5	0,0636	200	-		-	16,5	18,2	0,0742	225	-			-	17,3	19	0,0875	250	-	5				18,2	19,9	0,1007	280	-	20				19,2	20,9	0,1166	300		-	30			19,9	21,6	0,1272			315	-	37		20,4	22,1	0,1352				355	-	57	21,8	23,5	0,1564		400		-	80	23,3	25	0,1802	560 x	450	-		105	25,3	28,3	0,2112	BFN		630 x	630	50	195	39,1	42,1	0,4292		BFN	500	-	130	26,8	29,8	0,2332		550	10	155	28,5	31,5	0,2597	560	15		160	28,8	31,8	0,2650	600	35			180	30,2	33,2	0,2862	630	50	195				31,2	34,2	0,3021	650	60	205				31,9	34,9	0,3127	700		85	230			33,6	36,6	0,3392			710	90	235		33,9	36,9	0,3445				750	110	255	35,3	38,3	0,3657		800		135	280	37	40	0,3922	560 x	900	185		330	40,4	43,4	0,4452	BFN		800	135	280	40,3	43,3	0,4514	BFN		1000	235	380	43,9	46,9	0,4982		180	-	-	16	17,7	0,0648	200	-	-		16,7	18,4	0,0756	225	-	-			17,5	19,2	0,0891	250	-	5				18,4	20,1	0,1026	280	-	20				19,4	21,1	0,1188	300	-		30			20,1	21,8	0,1296	315			-	37		20,7	22,4	0,1377				355	-	57	22	23,7	0,1593			400	-	80	23,6	25,3	0,1836																																																																																																																																																																																																																																																																																																																				
	800	135	280	37	40	0,3922			900	185	330	40,4	43,4	0,4452				1000	235	380	43,9	46,9	0,4982				180	-	-	16	17,7	0,0648				200	-	-	16,7	18,4	0,0756				225	-	-	17,5	19,2	0,0891				250	-	5	18,4	20,1	0,1026			560 x	280	-	20	19,4	21,1	0,1188		BFL		560 x	630	50	195	32,9	35,9	0,3306			BF	300	-	30	20,1	21,8	0,1296			315	-	37	20,7	22,4	0,1377		355	-	57	22	23,7		0,1593	400	-	80	23,6	25,3			0,1836	450	-	105	25,3	28,3		0,2112	550 x		500	-	130	26,8	29,8	0,2332	BFN			600	35	180	28,3	31,3	0,2552			BFN	550	10	155	28,5	31,5	0,2597			560	15	160	28,8	31,8	0,2650		600	35	180	30,2	33,2	0,2862	630	50		195	31,2	34,2	0,3021	650	60	205			31,9	34,9	0,3127	700	85	230				33,6	36,6	0,3392	710	90	235			33,9		36,9	0,3445	750	110	255				35,3	38,3	0,3657	800			135	280		37	40	0,3922		560 x		900	185	330	40,4	43,4	0,4452	BFN			600 x	630	50	195	32,9	35,9			0,3306	BF	1000	235	380	43,9	46,9		0,4982		180	-	-	16	17,7	0,0648		200	-	-	16,7	18,4	0,0756	225	-		-	17,5	19,2	0,0891	250	-			5	18,4	20,1	0,1026	280	-	20				19,4	21,1	0,1188	300	-	30				20,1	21,8		0,1296	315	-	37			20,7	22,4			0,1377	355	-	57		22	23,7		0,1593	400		-	80	23,6	25,3	0,1836	560 x	450	-		105	25,3	28,3	0,2112	BFN		630 x	630	50	195	34	37	0,3477			BF	500	-	130	26,8	29,8	0,2332			550	10	155	28,5	31,5	0,2597		560	15	160	28,8	31,8	0,2650	600	35		180	30,2	33,2	0,2862	630	50			195	31,2	34,2	0,3021	650	60	205				31,9	34,9	0,3127	700	85	230				33,6	36,6	0,3392	710		90	235			33,9	36,9	0,3445			750	110	255		35,3	38,3	0,3657		800		135	280	37	40	0,3922	560 x	900	185		330	40,4	43,4	0,4452	BFN		800	135	280	39,1	42,1	0,4292	BFN			1000	235	380	43,9	46,9	0,4982			180	-	-	16	17,7	0,0648		200	-	-	16,7	18,4	0,0756	225	-	-		17,5	19,2	0,0891	250	-	5			18,4	20,1	0,1026	280	-	20				19,4	21,1	0,1188	300	-	30				20,1	21,8	0,1296	315	-		37			20,7	22,4	0,1377	355			-	57		22	23,7	0,1593			400	-	80	23,6	25,3	0,1836	560 x		450	-	105	25,3	28,3	0,2112	BFN		900	185	330	42,7	45,7	0,4872	BFN			500	-	130	26,8	29,8	0,2332			550	10	155	28,5	31,5	0,2597		560	15	160	28,8	31,8	0,2650	600	35	180		30,2	33,2	0,2862	630	50	195			31,2	34,2	0,3021	650	60	205				31,9	34,9	0,3127	700	85	230				33,6	36,6	0,3392	710	90		235			33,9	36,9	0,3445	750			110	255		35,3	38,3	0,3657			800	135	280	37	40	0,3922	560 x		900	185	330	40,4	43,4	0,4452	BFN		1000	235	380	46,3	49,3	0,5452	BFN			1000	235	380	41,5	44,5	0,4512			180	-	-	15,8	17,5	0,0636		200	-	-	16,5	18,2	0,0742	225	-	-		17,3	19	0,0875	250	-	5			18,2	19,9	0,1007	280	-	20				19,2	20,9	0,1166	300	-	30				19,9	21,6	0,1272	315	-		37			20,4	22,1	0,1352	355			-	57		21,8	23,5	0,1564			400	-	80	23,3	25	0,1802	560 x		450	-	105	25,3	28,3	0,2112	BFN		600 x	630	50	195	35,5	38,5	0,3712			BF	500	-	130	26,8	29,8	0,2332			550	10	155	28,5	31,5	0,2597		560	15	160	28,8	31,8	0,2650	600	35		180	30,2	33,2	0,2862	630	50			195	31,2	34,2	0,3021	650	60	205				31,9	34,9	0,3127	700	85	230				33,6	36,6	0,3392	710		90	235			33,9	36,9	0,3445			750	110	255		35,3	38,3	0,3657		800		135	280	37	40	0,3922	560 x	900	185		330	40,4	43,4	0,4452	BFN		600 x	630	50	195	37,7	40,7	0,4002			BF	1000	235	380	43,9	46,9	0,4982			180	-	-	15,8	17,5	0,0636		200	-	-	16,5	18,2	0,0742	225	-		-	17,3	19	0,0875	250	-			5	18,2	19,9	0,1007	280	-	20				19,2	20,9	0,1166	300	-	30				19,9	21,6	0,1272	315		-	37			20,4	22,1	0,1352			355	-	57		21,8	23,5	0,1564		400		-	80	23,3	25	0,1802	560 x	450	-		105	25,3	28,3	0,2112	BFN		630 x	630	50	195	39,1	42,1	0,4292			BFN	500	-	130	26,8	29,8	0,2332			550	10	155	28,5	31,5	0,2597		560	15	160	28,8	31,8	0,2650	600	35		180	30,2	33,2	0,2862	630	50			195	31,2	34,2	0,3021	650	60	205				31,9	34,9	0,3127	700	85	230				33,6	36,6	0,3392	710		90	235			33,9	36,9	0,3445			750	110	255		35,3	38,3	0,3657		800		135	280	37	40	0,3922	560 x	900	185		330	40,4	43,4	0,4452	BFN		800	135	280	40,3	43,3	0,4514	BFN			1000	235	380	43,9	46,9	0,4982			180	-	-	16	17,7	0,0648		200	-	-	16,7	18,4	0,0756	225	-	-		17,5	19,2	0,0891	250	-	5			18,4	20,1	0,1026	280	-	20				19,4	21,1	0,1188	300	-	30				20,1	21,8	0,1296	315	-		37			20,7	22,4	0,1377	355			-	57		22	23,7	0,1593			400	-	80	23,6	25,3	0,1836																																																																																																																																																																																																																																																																																																																													
	900	185	330	40,4	43,4	0,4452			1000	235	380	43,9	46,9	0,4982				180	-	-	16	17,7	0,0648				200	-	-	16,7	18,4	0,0756				225	-	-	17,5	19,2	0,0891				250	-	5	18,4	20,1	0,1026			560 x	280	-	20	19,4	21,1	0,1188		BFL		560 x	630	50	195	32,9	35,9	0,3306			BF	300	-	30	20,1	21,8	0,1296				315	-	37	20,7	22,4	0,1377			355	-	57	22	23,7	0,1593		400	-	80	23,6	25,3		0,1836	450	-	105	25,3	28,3	0,2112		550 x	500	-	130	26,8	29,8	0,2332	BFN			600	35	180	28,3	31,3	0,2552			BFN	550	10	155	28,5	31,5	0,2597				560	15	160	28,8	31,8	0,2650			600	35	180	30,2	33,2	0,2862		630	50	195	31,2	34,2	0,3021	650	60		205	31,9	34,9	0,3127	700	85	230			33,6	36,6	0,3392	710	90	235				33,9	36,9	0,3445	750	110	255			35,3		38,3	0,3657	800	135	280				37	40	0,3922	560 x		900	185	330		40,4	43,4	0,4452	BFN			600 x	630	50	195	32,9	35,9			0,3306	BF	1000	235	380	43,9	46,9			0,4982		180	-	-	16	17,7		0,0648		200	-	-	16,7	18,4	0,0756		225	-	-	17,5	19,2	0,0891	250	-		5	18,4	20,1	0,1026	280	-			20	19,4	21,1	0,1188	300	-	30				20,1	21,8	0,1296	315	-	37				20,7	22,4		0,1377	355	-	57			22	23,7	0,1593		400	-	80	23,6		25,3	0,1836	560 x	450	-		105	25,3	28,3	0,2112	BFN		630 x	630	50	195	34	37	0,3477			BF	500	-	130	26,8	29,8	0,2332				550	10	155	28,5	31,5	0,2597			560	15	160	28,8	31,8	0,2650		600	35	180	30,2	33,2	0,2862	630	50		195	31,2	34,2	0,3021	650	60			205	31,9	34,9	0,3127	700	85	230				33,6	36,6	0,3392	710	90	235				33,9	36,9	0,3445	750		110	255			35,3	38,3	0,3657		800	135	280	37		40	0,3922	560 x	900	185		330	40,4	43,4	0,4452	BFN		800	135	280	39,1	42,1	0,4292	BFN			1000	235	380	43,9	46,9	0,4982				180	-	-	16	17,7	0,0648			200	-	-	16,7	18,4	0,0756		225	-	-	17,5	19,2	0,0891	250	-	5		18,4	20,1	0,1026	280	-	20			19,4	21,1	0,1188	300	-	30				20,1	21,8	0,1296	315	-	37				20,7	22,4	0,1377	355	-		57			22	23,7	0,1593	400		-	80	23,6		25,3	0,1836	560 x		450	-	105	25,3	28,3	0,2112	BFN		900	185	330	42,7	45,7	0,4872	BFN			500	-	130	26,8	29,8	0,2332				550	10	155	28,5	31,5	0,2597			560	15	160	28,8	31,8	0,2650		600	35	180	30,2	33,2	0,2862	630	50	195		31,2	34,2	0,3021	650	60	205			31,9	34,9	0,3127	700	85	230				33,6	36,6	0,3392	710	90	235				33,9	36,9	0,3445	750	110		255			35,3	38,3	0,3657	800		135	280	37		40	0,3922	560 x		900	185	330	40,4	43,4	0,4452	BFN		1000	235	380	46,3	49,3	0,5452	BFN			1000	235	380	41,5	44,5	0,4512				180	-	-	15,8	17,5	0,0636			200	-	-	16,5	18,2	0,0742		225	-	-	17,3	19	0,0875	250	-	5		18,2	19,9	0,1007	280	-	20			19,2	20,9	0,1166	300	-	30				19,9	21,6	0,1272	315	-	37				20,4	22,1	0,1352	355	-		57			21,8	23,5	0,1564	400		-	80	23,3		25	0,1802	560 x		450	-	105	25,3	28,3	0,2112	BFN		600 x	630	50	195	35,5	38,5	0,3712			BF	500	-	130	26,8	29,8	0,2332				550	10	155	28,5	31,5	0,2597			560	15	160	28,8	31,8	0,2650		600	35	180	30,2	33,2	0,2862	630	50		195	31,2	34,2	0,3021	650	60			205	31,9	34,9	0,3127	700	85	230				33,6	36,6	0,3392	710	90	235				33,9	36,9	0,3445	750		110	255			35,3	38,3	0,3657		800	135	280	37		40	0,3922	560 x	900	185		330	40,4	43,4	0,4452	BFN		600 x	630	50	195	37,7	40,7	0,4002			BF	1000	235	380	43,9	46,9	0,4982				180	-	-	15,8	17,5	0,0636			200	-	-	16,5	18,2	0,0742		225	-	-	17,3	19	0,0875	250	-		5	18,2	19,9	0,1007	280	-			20	19,2	20,9	0,1166	300	-	30				19,9	21,6	0,1272	315	-	37				20,4	22,1	0,1352	355		-	57			21,8	23,5	0,1564		400	-	80	23,3		25	0,1802	560 x	450	-		105	25,3	28,3	0,2112	BFN		630 x	630	50	195	39,1	42,1	0,4292			BFN	500	-	130	26,8	29,8	0,2332				550	10	155	28,5	31,5	0,2597			560	15	160	28,8	31,8	0,2650		600	35	180	30,2	33,2	0,2862	630	50		195	31,2	34,2	0,3021	650	60			205	31,9	34,9	0,3127	700	85	230				33,6	36,6	0,3392	710	90	235				33,9	36,9	0,3445	750		110	255			35,3	38,3	0,3657		800	135	280	37		40	0,3922	560 x	900	185		330	40,4	43,4	0,4452	BFN		800	135	280	40,3	43,3	0,4514	BFN			1000	235	380	43,9	46,9	0,4982				180	-	-	16	17,7	0,0648			200	-	-	16,7	18,4	0,0756		225	-	-	17,5	19,2	0,0891	250	-	5		18,4	20,1	0,1026	280	-	20			19,4	21,1	0,1188	300	-	30				20,1	21,8	0,1296	315	-	37				20,7	22,4	0,1377	355	-		57			22	23,7	0,1593	400		-	80	23,6		25,3	0,1836																																																																																																																																																																																																																																																																																																																																						
	1000	235	380	43,9	46,9	0,4982			180	-	-	16	17,7	0,0648				200	-	-	16,7	18,4	0,0756				225	-	-	17,5	19,2	0,0891				250	-	5	18,4	20,1	0,1026			560 x	280	-	20	19,4	21,1	0,1188		BFL		560 x	630	50	195	32,9	35,9	0,3306			BF	300	-	30	20,1	21,8	0,1296				315	-	37	20,7	22,4	0,1377				355	-	57	22	23,7	0,1593			400	-	80	23,6	25,3	0,1836		450	-	105	25,3	28,3	0,2112	550 x	500	-	130	26,8	29,8	0,2332	BFN		600	35	180	28,3	31,3	0,2552			BFN	550	10	155	28,5	31,5	0,2597				560	15	160	28,8	31,8	0,2650				600	35	180	30,2	33,2	0,2862			630	50	195	31,2	34,2	0,3021		650	60	205	31,9	34,9	0,3127	700	85		230	33,6	36,6	0,3392	710	90	235			33,9	36,9	0,3445	750	110	255				35,3	38,3	0,3657	800	135	280			37		40	0,3922	560 x	900	185	330			40,4	43,4	0,4452		BFN	600 x	630	50		195	32,9	35,9			0,3306	BF	1000	235	380	43,9	46,9			0,4982		180	-	-	16	17,7			0,0648		200	-	-	16,7	18,4		0,0756		225	-	-	17,5	19,2	0,0891		250	-	5	18,4	20,1	0,1026	280	-		20	19,4	21,1	0,1188	300	-			30	20,1	21,8	0,1296	315	-	37				20,7	22,4	0,1377	355	-	57				22	23,7	0,1593	400	-	80	23,6			25,3	0,1836	560 x	450	-	105	25,3	28,3		0,2112	BFN		630 x	630	50	195	34	37	0,3477			BF	500	-	130	26,8	29,8	0,2332				550	10	155	28,5	31,5	0,2597				560	15	160	28,8	31,8	0,2650			600	35	180	30,2	33,2	0,2862		630	50	195	31,2	34,2	0,3021	650	60		205	31,9	34,9	0,3127	700	85			230	33,6	36,6	0,3392	710	90	235				33,9	36,9	0,3445	750	110	255				35,3	38,3	0,3657	800	135	280	37			40	0,3922	560 x	900	185	330	40,4	43,4		0,4452	BFN		800	135	280	39,1	42,1	0,4292	BFN			1000	235	380	43,9	46,9	0,4982				180	-	-	16	17,7	0,0648				200	-	-	16,7	18,4	0,0756			225	-	-	17,5	19,2	0,0891		250	-	5	18,4	20,1	0,1026	280	-	20		19,4	21,1	0,1188	300	-	30			20,1	21,8	0,1296	315	-	37				20,7	22,4	0,1377	355	-	57				22	23,7	0,1593	400	-	80	23,6			25,3	0,1836	560 x	450	-	105	25,3	28,3		0,2112	BFN		900	185	330	42,7	45,7	0,4872	BFN			500	-	130	26,8	29,8	0,2332				550	10	155	28,5	31,5	0,2597				560	15	160	28,8	31,8	0,2650			600	35	180	30,2	33,2	0,2862		630	50	195	31,2	34,2	0,3021	650	60	205		31,9	34,9	0,3127	700	85	230			33,6	36,6	0,3392	710	90	235				33,9	36,9	0,3445	750	110	255				35,3	38,3	0,3657	800	135	280	37			40	0,3922	560 x	900	185	330	40,4	43,4		0,4452	BFN		1000	235	380	46,3	49,3	0,5452	BFN			1000	235	380	41,5	44,5	0,4512				180	-	-	15,8	17,5	0,0636				200	-	-	16,5	18,2	0,0742			225	-	-	17,3	19	0,0875		250	-	5	18,2	19,9	0,1007	280	-	20		19,2	20,9	0,1166	300	-	30			19,9	21,6	0,1272	315	-	37				20,4	22,1	0,1352	355	-	57				21,8	23,5	0,1564	400	-	80	23,3			25	0,1802	560 x	450	-	105	25,3	28,3		0,2112	BFN		600 x	630	50	195	35,5	38,5	0,3712			BF	500	-	130	26,8	29,8	0,2332				550	10	155	28,5	31,5	0,2597				560	15	160	28,8	31,8	0,2650			600	35	180	30,2	33,2	0,2862		630	50	195	31,2	34,2	0,3021	650	60		205	31,9	34,9	0,3127	700	85			230	33,6	36,6	0,3392	710	90	235				33,9	36,9	0,3445	750	110	255				35,3	38,3	0,3657	800	135	280	37			40	0,3922	560 x	900	185	330	40,4	43,4		0,4452	BFN		600 x	630	50	195	37,7	40,7	0,4002			BF	1000	235	380	43,9	46,9	0,4982				180	-	-	15,8	17,5	0,0636				200	-	-	16,5	18,2	0,0742			225	-	-	17,3	19	0,0875		250	-	5	18,2	19,9	0,1007	280	-		20	19,2	20,9	0,1166	300	-			30	19,9	21,6	0,1272	315	-	37				20,4	22,1	0,1352	355	-	57				21,8	23,5	0,1564	400	-	80	23,3			25	0,1802	560 x	450	-	105	25,3	28,3		0,2112	BFN		630 x	630	50	195	39,1	42,1	0,4292			BFN	500	-	130	26,8	29,8	0,2332				550	10	155	28,5	31,5	0,2597				560	15	160	28,8	31,8	0,2650			600	35	180	30,2	33,2	0,2862		630	50	195	31,2	34,2	0,3021	650	60		205	31,9	34,9	0,3127	700	85			230	33,6	36,6	0,3392	710	90	235				33,9	36,9	0,3445	750	110	255				35,3	38,3	0,3657	800	135	280	37			40	0,3922	560 x	900	185	330	40,4	43,4		0,4452	BFN		800	135	280	40,3	43,3	0,4514	BFN			1000	235	380	43,9	46,9	0,4982				180	-	-	16	17,7	0,0648				200	-	-	16,7	18,4	0,0756			225	-	-	17,5	19,2	0,0891		250	-	5	18,4	20,1	0,1026	280	-	20		19,4	21,1	0,1188	300	-	30			20,1	21,8	0,1296	315	-	37				20,7	22,4	0,1377	355	-	57				22	23,7	0,1593	400	-	80	23,6			25,3	0,1836																																																																																																																																																																																																																																																																																																																																															
	180	-	-	16	17,7	0,0648			200	-	-	16,7	18,4	0,0756				225	-	-	17,5	19,2	0,0891				250	-	5	18,4	20,1	0,1026			560 x	280	-	20	19,4	21,1	0,1188		BFL		560 x	630	50	195	32,9	35,9	0,3306			BF	300	-	30	20,1	21,8	0,1296				315	-	37	20,7	22,4	0,1377				355	-	57	22	23,7	0,1593				400	-	80	23,6	25,3	0,1836			450	-	105	25,3	28,3	0,2112		550 x	500	-	130	26,8	29,8		0,2332	BFN	600	35	180	28,3			31,3	0,2552	BFN	550	10	155				28,5	31,5	0,2597	560	15	160				28,8	31,8	0,2650	600	35	180				30,2	33,2	0,2862	630	50	195			31,2	34,2	0,3021	650	60	205		31,9	34,9	0,3127	700	85	230	33,6	36,6		0,3392	710	90	235	33,9	36,9	0,3445			750	110	255	35,3	38,3	0,3657				800	135	280	37	40	0,3922			560 x	900	185	330		40,4	43,4	0,4452		BFN	600 x	630	50			195	32,9	35,9	0,3306	BF	1000	235			380		43,9	46,9	0,4982	180	-			-		16	17,7	0,0648	200	-			-		16,7	18,4	0,0756	225	-		-		17,5	19,2	0,0891	250	-	5		18,4	20,1	0,1026	280	-	20	19,4	21,1		0,1188	300	-	30	20,1	21,8			0,1296	315	-	37	20,7	22,4	0,1377				355	-	57	22	23,7	0,1593		400		-	80	23,6	25,3	0,1836	560 x	450	-		105	25,3		28,3	0,2112	BFN	630 x	630	50	195			34	37	0,3477	BF	500	-	130				26,8	29,8	0,2332	550	10	155				28,5	31,5	0,2597	560	15	160				28,8	31,8	0,2650	600	35	180			30,2	33,2	0,2862	630	50	195		31,2	34,2	0,3021	650	60	205	31,9	34,9		0,3127	700	85	230	33,6	36,6			0,3392	710	90	235	33,9	36,9	0,3445				750	110	255	35,3	38,3	0,3657		800		135	280	37	40	0,3922	560 x	900	185		330	40,4		43,4	0,4452	BFN	800	135	280	39,1			42,1	0,4292	BFN	1000	235	380				43,9	46,9	0,4982	180	-	-				16	17,7	0,0648	200	-	-				16,7	18,4	0,0756	225	-	-			17,5	19,2	0,0891	250	-	5		18,4	20,1	0,1026	280	-	20	19,4	21,1	0,1188		300	-	30	20,1	21,8	0,1296			315	-	37	20,7	22,4	0,1377				355	-	57	22	23,7	0,1593			400	-	80	23,6	25,3	0,1836	560 x	450		-	105	25,3		28,3	0,2112	BFN	900	185	330	42,7			45,7	0,4872	BFN	500	-	130				26,8	29,8	0,2332	550	10	155				28,5	31,5	0,2597	560	15	160				28,8	31,8	0,2650	600	35	180			30,2	33,2	0,2862	630	50	195		31,2	34,2	0,3021	650	60	205	31,9	34,9	0,3127		700	85	230	33,6	36,6	0,3392			710	90	235	33,9	36,9	0,3445				750	110	255	35,3	38,3	0,3657			800	135	280	37	40	0,3922	560 x	900		185	330	40,4		43,4	0,4452	BFN	1000	235	380	46,3			49,3	0,5452	BFN	1000	235	380				41,5	44,5	0,4512	180	-	-				15,8	17,5	0,0636	200	-	-				16,5	18,2	0,0742	225	-	-			17,3	19	0,0875	250	-	5		18,2	19,9	0,1007	280	-	20	19,2	20,9	0,1166		300	-	30	19,9	21,6	0,1272			315	-	37	20,4	22,1	0,1352				355	-	57	21,8	23,5	0,1564			400	-	80	23,3	25	0,1802	560 x	450		-	105	25,3		28,3	0,2112	BFN	600 x	630	50	195			35,5	38,5	0,3712	BF	500	-	130				26,8	29,8	0,2332	550	10	155				28,5	31,5	0,2597	560	15	160				28,8	31,8	0,2650	600	35	180			30,2	33,2	0,2862	630	50	195		31,2	34,2	0,3021	650	60	205	31,9	34,9		0,3127	700	85	230	33,6	36,6			0,3392	710	90	235	33,9	36,9	0,3445				750	110	255	35,3	38,3	0,3657		800		135	280	37	40	0,3922	560 x	900	185		330	40,4		43,4	0,4452	BFN	600 x	630	50	195			37,7	40,7	0,4002	BF	1000	235	380				43,9	46,9	0,4982	180	-	-				15,8	17,5	0,0636	200	-	-				16,5	18,2	0,0742	225	-	-			17,3	19	0,0875	250	-	5		18,2	19,9	0,1007	280	-	20	19,2	20,9		0,1166	300	-	30	19,9	21,6			0,1272	315	-	37	20,4	22,1	0,1352				355	-	57	21,8	23,5	0,1564		400		-	80	23,3	25	0,1802	560 x	450	-		105	25,3		28,3	0,2112	BFN	630 x	630	50	195			39,1	42,1	0,4292	BFN	500	-	130				26,8	29,8	0,2332	550	10	155				28,5	31,5	0,2597	560	15	160				28,8	31,8	0,2650	600	35	180			30,2	33,2	0,2862	630	50	195		31,2	34,2	0,3021	650	60	205	31,9	34,9		0,3127	700	85	230	33,6	36,6			0,3392	710	90	235	33,9	36,9	0,3445				750	110	255	35,3	38,3	0,3657		800		135	280	37	40	0,3922	560 x	900	185		330	40,4		43,4	0,4452	BFN	800	135	280	40,3			43,3	0,4514	BFN	1000	235	380				43,9	46,9	0,4982	180	-	-				16	17,7	0,0648	200	-	-				16,7	18,4	0,0756	225	-	-			17,5	19,2	0,0891	250	-	5		18,4	20,1	0,1026	280	-	20	19,4	21,1	0,1188		300	-	30	20,1	21,8	0,1296			315	-	37	20,7	22,4	0,1377				355	-	57	22	23,7	0,1593			400	-	80	23,6	25,3	0,1836																																																																																																																																																																																																																																																																																																																																																					
	200	-	-	16,7	18,4	0,0756			225	-	-	17,5	19,2	0,0891				250	-	5	18,4	20,1	0,1026		560 x		280	-	20	19,4	21,1	0,1188	BFL			560 x	630	50	195	32,9	35,9	0,3306			BF	300	-	30	20,1	21,8	0,1296				315	-	37	20,7	22,4	0,1377				355	-	57	22	23,7	0,1593				400	-	80	23,6	25,3	0,1836		450		-	105	25,3	28,3	0,2112	550 x	500		-	130	26,8	29,8	0,2332	BFN	600		35	180	28,3	31,3	0,2552		BFN		550	10	155	28,5			31,5	0,2597		560	15	160				28,8	31,8	0,2650	600	35	180				30,2	33,2	0,2862	630	50	195				31,2	34,2	0,3021	650	60	205			31,9	34,9	0,3127	700	85	230		33,6	36,6	0,3392	710	90	235	33,9	36,9		0,3445	750	110	255	35,3	38,3	0,3657			800	135	280	37	40	0,3922			560 x	900	185	330	40,4	43,4	0,4452		BFN		600 x	630	50		195	32,9	35,9	0,3306		BF	1000	235			380	43,9	46,9	0,4982		180	-			-		16	17,7	0,0648	200	-			-		16,7	18,4	0,0756	225	-			-		17,5	19,2	0,0891	250	-		5		18,4	20,1	0,1026	280	-	20		19,4	21,1	0,1188	300	-	30	20,1	21,8		0,1296	315	-	37	20,7	22,4			0,1377	355	-	57	22	23,7	0,1593		400		-	80	23,6	25,3	0,1836	560 x	450	-		105	25,3	28,3	0,2112	BFN		630 x	630	50	195	34		37	0,3477		BF	500	-	130			26,8	29,8	0,2332		550	10	155				28,5	31,5	0,2597	560	15	160				28,8	31,8	0,2650	600	35	180				30,2	33,2	0,2862	630	50	195			31,2	34,2	0,3021	650	60	205		31,9	34,9	0,3127	700	85	230	33,6	36,6		0,3392	710	90	235	33,9	36,9			0,3445	750	110	255	35,3	38,3	0,3657		800		135	280	37	40	0,3922	560 x	900	185		330	40,4	43,4	0,4452	BFN		800	135	280	39,1	42,1		0,4292	BFN		1000	235	380	43,9			46,9	0,4982		180	-	-				16	17,7	0,0648	200	-	-				16,7	18,4	0,0756	225	-	-				17,5	19,2	0,0891	250	-	5			18,4	20,1	0,1026	280	-	20		19,4	21,1	0,1188	300	-	30	20,1	21,8	0,1296		315	-	37	20,7	22,4	0,1377			355	-	57	22	23,7	0,1593			400	-	80	23,6	25,3	0,1836	560 x		450	-	105	25,3	28,3	0,2112	BFN		900	185	330	42,7	45,7		0,4872	BFN		500	-	130	26,8			29,8	0,2332		550	10	155				28,5	31,5	0,2597	560	15	160				28,8	31,8	0,2650	600	35	180				30,2	33,2	0,2862	630	50	195			31,2	34,2	0,3021	650	60	205		31,9	34,9	0,3127	700	85	230	33,6	36,6	0,3392		710	90	235	33,9	36,9	0,3445			750	110	255	35,3	38,3	0,3657			800	135	280	37	40	0,3922	560 x		900	185	330	40,4	43,4	0,4452	BFN		1000	235	380	46,3	49,3		0,5452	BFN		1000	235	380	41,5			44,5	0,4512		180	-	-				15,8	17,5	0,0636	200	-	-				16,5	18,2	0,0742	225	-	-				17,3	19	0,0875	250	-	5			18,2	19,9	0,1007	280	-	20		19,2	20,9	0,1166	300	-	30	19,9	21,6	0,1272		315	-	37	20,4	22,1	0,1352			355	-	57	21,8	23,5	0,1564			400	-	80	23,3	25	0,1802	560 x		450	-	105	25,3	28,3	0,2112	BFN		600 x	630	50	195	35,5		38,5	0,3712		BF	500	-	130			26,8	29,8	0,2332		550	10	155				28,5	31,5	0,2597	560	15	160				28,8	31,8	0,2650	600	35	180				30,2	33,2	0,2862	630	50	195			31,2	34,2	0,3021	650	60	205		31,9	34,9	0,3127	700	85	230	33,6	36,6		0,3392	710	90	235	33,9	36,9			0,3445	750	110	255	35,3	38,3	0,3657		800		135	280	37	40	0,3922	560 x	900	185		330	40,4	43,4	0,4452	BFN		600 x	630	50	195	37,7		40,7	0,4002		BF	1000	235	380			43,9	46,9	0,4982		180	-	-				15,8	17,5	0,0636	200	-	-				16,5	18,2	0,0742	225	-	-				17,3	19	0,0875	250	-	5			18,2	19,9	0,1007	280	-	20		19,2	20,9	0,1166	300	-	30	19,9	21,6		0,1272	315	-	37	20,4	22,1			0,1352	355	-	57	21,8	23,5	0,1564		400		-	80	23,3	25	0,1802	560 x	450	-		105	25,3	28,3	0,2112	BFN		630 x	630	50	195	39,1		42,1	0,4292		BFN	500	-	130			26,8	29,8	0,2332		550	10	155				28,5	31,5	0,2597	560	15	160				28,8	31,8	0,2650	600	35	180				30,2	33,2	0,2862	630	50	195			31,2	34,2	0,3021	650	60	205		31,9	34,9	0,3127	700	85	230	33,6	36,6		0,3392	710	90	235	33,9	36,9			0,3445	750	110	255	35,3	38,3	0,3657		800		135	280	37	40	0,3922	560 x	900	185		330	40,4	43,4	0,4452	BFN		800	135	280	40,3	43,3		0,4514	BFN		1000	235	380	43,9			46,9	0,4982		180	-	-				16	17,7	0,0648	200	-	-				16,7	18,4	0,0756	225	-	-				17,5	19,2	0,0891	250	-	5			18,4	20,1	0,1026	280	-	20		19,4	21,1	0,1188	300	-	30	20,1	21,8	0,1296		315	-	37	20,7	22,4	0,1377			355	-	57	22	23,7	0,1593			400	-	80	23,6	25,3	0,1836																																																																																																																																																																																																																																																																																																																																																														
	225	-	-	17,5	19,2	0,0891			250	-	5	18,4	20,1	0,1026	560 x			280	-	20	19,4	21,1	0,1188	BFL			560 x	630	50	195	32,9	35,9		0,3306		BF	300	-	30	20,1	21,8	0,1296				315	-	37	20,7	22,4	0,1377				355	-	57	22	23,7	0,1593				400	-	80	23,6	25,3	0,1836		450		-	105	25,3	28,3	0,2112	550 x	500	-		130	26,8	29,8	0,2332	BFN		600	35	180	28,3	31,3	0,2552	BFN		550		10	155	28,5	31,5	0,2597				560	15	160	28,8			31,8	0,2650		600	35	180				30,2	33,2	0,2862	630	50	195				31,2	34,2	0,3021	650	60	205				31,9	34,9	0,3127	700	85	230			33,6	36,6	0,3392	710	90	235		33,9	36,9	0,3445	750	110	255	35,3	38,3		0,3657	800	135	280	37	40	0,3922		560 x	900	185	330	40,4	43,4	0,4452		BFN		600 x	630	50	195	32,9	35,9	0,3306			BF	1000	235		380	43,9	46,9	0,4982			180	-			-	16	17,7	0,0648		200	-			-		16,7	18,4	0,0756	225	-			-		17,5	19,2	0,0891	250	-			5		18,4	20,1	0,1026	280	-		20		19,4	21,1	0,1188	300	-	30		20,1	21,8	0,1296	315	-	37	20,7	22,4		0,1377	355	-	57	22	23,7		0,1593	400	-	80	23,6	25,3	0,1836	560 x	450	-		105	25,3	28,3	0,2112	BFN		630 x	630	50	195	34	37	0,3477			BF	500	-	130	26,8		29,8	0,2332			550	10	155			28,5	31,5	0,2597		560	15	160				28,8	31,8	0,2650	600	35	180				30,2	33,2	0,2862	630	50	195				31,2	34,2	0,3021	650	60	205			31,9	34,9	0,3127	700	85	230		33,6	36,6	0,3392	710	90	235	33,9	36,9		0,3445	750	110	255	35,3	38,3		0,3657	800	135	280	37	40	0,3922	560 x	900	185		330	40,4	43,4	0,4452	BFN		800	135	280	39,1	42,1	0,4292	BFN			1000	235	380	43,9	46,9		0,4982			180	-	-	16			17,7	0,0648		200	-	-				16,7	18,4	0,0756	225	-	-				17,5	19,2	0,0891	250	-	5				18,4	20,1	0,1026	280	-	20			19,4	21,1	0,1188	300	-	30		20,1	21,8	0,1296	315	-	37	20,7	22,4	0,1377		355	-	57	22	23,7	0,1593		400	-	80	23,6	25,3	0,1836	560 x		450	-	105	25,3	28,3	0,2112	BFN		900	185	330	42,7	45,7	0,4872	BFN			500	-	130	26,8	29,8		0,2332			550	10	155	28,5			31,5	0,2597		560	15	160				28,8	31,8	0,2650	600	35	180				30,2	33,2	0,2862	630	50	195				31,2	34,2	0,3021	650	60	205			31,9	34,9	0,3127	700	85	230		33,6	36,6	0,3392	710	90	235	33,9	36,9	0,3445		750	110	255	35,3	38,3	0,3657		800	135	280	37	40	0,3922	560 x		900	185	330	40,4	43,4	0,4452	BFN		1000	235	380	46,3	49,3	0,5452	BFN			1000	235	380	41,5	44,5		0,4512			180	-	-	15,8			17,5	0,0636		200	-	-				16,5	18,2	0,0742	225	-	-				17,3	19	0,0875	250	-	5				18,2	19,9	0,1007	280	-	20			19,2	20,9	0,1166	300	-	30		19,9	21,6	0,1272	315	-	37	20,4	22,1	0,1352		355	-	57	21,8	23,5	0,1564		400	-	80	23,3	25	0,1802	560 x		450	-	105	25,3	28,3	0,2112	BFN		600 x	630	50	195	35,5	38,5	0,3712			BF	500	-	130	26,8		29,8	0,2332			550	10	155			28,5	31,5	0,2597		560	15	160				28,8	31,8	0,2650	600	35	180				30,2	33,2	0,2862	630	50	195				31,2	34,2	0,3021	650	60	205			31,9	34,9	0,3127	700	85	230		33,6	36,6	0,3392	710	90	235	33,9	36,9		0,3445	750	110	255	35,3	38,3		0,3657	800	135	280	37	40	0,3922	560 x	900	185		330	40,4	43,4	0,4452	BFN		600 x	630	50	195	37,7	40,7	0,4002			BF	1000	235	380	43,9		46,9	0,4982			180	-	-			15,8	17,5	0,0636		200	-	-				16,5	18,2	0,0742	225	-	-				17,3	19	0,0875	250	-	5				18,2	19,9	0,1007	280	-	20			19,2	20,9	0,1166	300	-	30		19,9	21,6	0,1272	315	-	37	20,4	22,1		0,1352	355	-	57	21,8	23,5		0,1564	400	-	80	23,3	25	0,1802	560 x	450	-		105	25,3	28,3	0,2112	BFN		630 x	630	50	195	39,1	42,1	0,4292			BFN	500	-	130	26,8		29,8	0,2332			550	10	155			28,5	31,5	0,2597		560	15	160				28,8	31,8	0,2650	600	35	180				30,2	33,2	0,2862	630	50	195				31,2	34,2	0,3021	650	60	205			31,9	34,9	0,3127	700	85	230		33,6	36,6	0,3392	710	90	235	33,9	36,9		0,3445	750	110	255	35,3	38,3		0,3657	800	135	280	37	40	0,3922	560 x	900	185		330	40,4	43,4	0,4452	BFN		800	135	280	40,3	43,3	0,4514	BFN			1000	235	380	43,9	46,9		0,4982			180	-	-	16			17,7	0,0648		200	-	-				16,7	18,4	0,0756	225	-	-				17,5	19,2	0,0891	250	-	5				18,4	20,1	0,1026	280	-	20			19,4	21,1	0,1188	300	-	30		20,1	21,8	0,1296	315	-	37	20,7	22,4	0,1377		355	-	57	22	23,7	0,1593		400	-	80	23,6	25,3	0,1836																																																																																																																																																																																																																																																																																																																																																																							
	250	-	5	18,4	20,1	0,1026		560 x	280	-	20	19,4	21,1	0,1188		BFL		560 x	630	50	195	32,9	35,9			0,3306	BF	300	-	30	20,1	21,8		0,1296			315	-	37	20,7	22,4	0,1377				355	-	57	22	23,7	0,1593				400	-	80	23,6	25,3	0,1836		450		-	105	25,3	28,3	0,2112	550 x	500	-		130	26,8	29,8	0,2332	BFN		600	35	180	28,3	31,3	0,2552	BFN			550	10	155	28,5	31,5	0,2597			560		15	160	28,8	31,8	0,2650				600	35	180	30,2			33,2	0,2862		630	50	195				31,2	34,2	0,3021	650	60	205				31,9	34,9	0,3127	700	85	230				33,6	36,6	0,3392	710	90	235			33,9	36,9	0,3445	750	110	255		35,3	38,3	0,3657	800	135	280	37	40	0,3922	560 x	900	185	330	40,4	43,4	0,4452	BFN		600 x	630	50	195	32,9	35,9	0,3306			BF	1000	235	380	43,9	46,9	0,4982				180	-		-	16	17,7	0,0648			200	-			-	16,7	18,4	0,0756		225	-			-		17,5	19,2	0,0891	250	-			5		18,4	20,1	0,1026	280	-			20		19,4	21,1	0,1188	300	-		30		20,1	21,8	0,1296	315	-	37		20,7	22,4	0,1377	355	-	57	22	23,7	0,1593	400	-	80	23,6	25,3	0,1836	560 x	450	-	105	25,3	28,3	0,2112	BFN		630 x	630	50	195	34	37	0,3477			BF	500	-	130	26,8	29,8	0,2332				550	10	155	28,5		31,5	0,2597			560	15	160			28,8	31,8	0,2650		600	35	180				30,2	33,2	0,2862	630	50	195				31,2	34,2	0,3021	650	60	205				31,9	34,9	0,3127	700	85	230			33,6	36,6	0,3392	710	90	235		33,9	36,9	0,3445	750	110	255	35,3	38,3	0,3657	800	135	280	37	40	0,3922	560 x	900	185	330	40,4	43,4	0,4452	BFN		800	135	280	39,1	42,1	0,4292	BFN			1000	235	380	43,9	46,9	0,4982				180	-	-	16	17,7		0,0648			200	-	-	16,7			18,4	0,0756		225	-	-				17,5	19,2	0,0891	250	-	5				18,4	20,1	0,1026	280	-	20				19,4	21,1	0,1188	300	-	30			20,1	21,8	0,1296	315	-	37		20,7	22,4	0,1377	355	-	57	22	23,7	0,1593	400	-	80	23,6	25,3	0,1836	560 x	450	-	105	25,3	28,3	0,2112	BFN		900	185	330	42,7	45,7	0,4872	BFN			500	-	130	26,8	29,8	0,2332				550	10	155	28,5	31,5		0,2597			560	15	160	28,8			31,8	0,2650		600	35	180				30,2	33,2	0,2862	630	50	195				31,2	34,2	0,3021	650	60	205				31,9	34,9	0,3127	700	85	230			33,6	36,6	0,3392	710	90	235		33,9	36,9	0,3445	750	110	255	35,3	38,3	0,3657	800	135	280	37	40	0,3922	560 x	900	185	330	40,4	43,4	0,4452	BFN		1000	235	380	46,3	49,3	0,5452	BFN			1000	235	380	41,5	44,5	0,4512				180	-	-	15,8	17,5		0,0636			200	-	-	16,5			18,2	0,0742		225	-	-				17,3	19	0,0875	250	-	5				18,2	19,9	0,1007	280	-	20				19,2	20,9	0,1166	300	-	30			19,9	21,6	0,1272	315	-	37		20,4	22,1	0,1352	355	-	57	21,8	23,5	0,1564	400	-	80	23,3	25	0,1802	560 x	450	-	105	25,3	28,3	0,2112	BFN		600 x	630	50	195	35,5	38,5	0,3712			BF	500	-	130	26,8	29,8	0,2332				550	10	155	28,5		31,5	0,2597			560	15	160			28,8	31,8	0,2650		600	35	180				30,2	33,2	0,2862	630	50	195				31,2	34,2	0,3021	650	60	205				31,9	34,9	0,3127	700	85	230			33,6	36,6	0,3392	710	90	235		33,9	36,9	0,3445	750	110	255	35,3	38,3	0,3657	800	135	280	37	40	0,3922	560 x	900	185	330	40,4	43,4	0,4452	BFN		600 x	630	50	195	37,7	40,7	0,4002			BF	1000	235	380	43,9	46,9	0,4982				180	-	-	15,8		17,5	0,0636			200	-	-			16,5	18,2	0,0742		225	-	-				17,3	19	0,0875	250	-	5				18,2	19,9	0,1007	280	-	20				19,2	20,9	0,1166	300	-	30			19,9	21,6	0,1272	315	-	37		20,4	22,1	0,1352	355	-	57	21,8	23,5	0,1564	400	-	80	23,3	25	0,1802	560 x	450	-	105	25,3	28,3	0,2112	BFN		630 x	630	50	195	39,1	42,1	0,4292			BFN	500	-	130	26,8	29,8	0,2332				550	10	155	28,5		31,5	0,2597			560	15	160			28,8	31,8	0,2650		600	35	180				30,2	33,2	0,2862	630	50	195				31,2	34,2	0,3021	650	60	205				31,9	34,9	0,3127	700	85	230			33,6	36,6	0,3392	710	90	235		33,9	36,9	0,3445	750	110	255	35,3	38,3	0,3657	800	135	280	37	40	0,3922	560 x	900	185	330	40,4	43,4	0,4452	BFN		800	135	280	40,3	43,3	0,4514	BFN			1000	235	380	43,9	46,9	0,4982				180	-	-	16	17,7		0,0648			200	-	-	16,7			18,4	0,0756		225	-	-				17,5	19,2	0,0891	250	-	5				18,4	20,1	0,1026	280	-	20				19,4	21,1	0,1188	300	-	30			20,1	21,8	0,1296	315	-	37		20,7	22,4	0,1377	355	-	57	22	23,7	0,1593	400	-	80	23,6	25,3	0,1836																																																																																																																																																																																																																																																																																																																																																																															
560 x	280	-	20	19,4	21,1	0,1188	BFL		560 x	630	50	195	32,9	35,9			0,3306	BF																																																																																																																																																																																																																																																																																																																																																																																																																																																																																																																																																																																																																																																																																																																																																																																																																																																																																																																																																																																																																																																																																																																																																																																																																																																																																																																																																																																																																																																															
	300	-	30	20,1	21,8	0,1296			315	-	37	20,7	22,4	0,1377			355		-	57	22	23,7	0,1593			400		-	80	23,6	25,3	0,1836		450			-	105	25,3	28,3	0,2112	550 x		500		-	130	26,8	29,8	0,2332	BFN	600	35		180	28,3	31,3	0,2552	BFN	550	10	155	28,5	31,5	0,2597	560	15	160		28,8	31,8	0,2650	600	35	180	30,2			33,2	0,2862	630	50	195	31,2				34,2	0,3021	650	60	205	31,9			34,9		0,3127	700	85	230	33,6				36,6	0,3392	710	90			235	33,9		36,9	0,3445	750				110	255	35,3	38,3	0,3657	800				135	280	37	40	0,3922	560 x		900		185	330	40,4	43,4	0,4452	BFN	600 x		630	50	195	32,9	35,9	0,3306	BF	1000	235	380	43,9	46,9	0,4982	180	-	-		16	17,7	0,0648	200	-	-			16,7	18,4	0,0756	225	-	-	17,5				19,2	0,0891	250	-	5	18,4				20,1	0,1026		280	-	20	19,4			21,1	0,1188			300	-	30	20,1		21,8	0,1296			315		-	37	20,7	22,4	0,1377			355		-	57	22	23,7	0,1593		400	-		80	23,6	25,3	0,1836	560 x	450	-		105	25,3	28,3	0,2112	BFN	630 x	630	50	195	34	37	0,3477	BF	500	-	130	26,8	29,8	0,2332	550	10	155		28,5	31,5	0,2597	560	15	160			28,8	31,8	0,2650	600	35	180	30,2				33,2	0,2862	630	50	195	31,2				34,2	0,3021	650	60		205	31,9			34,9	0,3127	700			85	230	33,6		36,6	0,3392	710				90	235	33,9	36,9	0,3445	750				110	255	35,3	38,3	0,3657	800		135		280	37	40	0,3922	560 x	900	185		330	40,4	43,4	0,4452	BFN	800	135	280	39,1	42,1	0,4292	BFN	1000	235	380	43,9	46,9	0,4982	180	-	-	16		17,7	0,0648	200	-	-	16,7			18,4	0,0756	225	-	-	17,5				19,2	0,0891	250	-	5	18,4				20,1	0,1026	280	-	20		19,4			21,1	0,1188	300	-			30	20,1		21,8	0,1296	315				-	37	20,7	22,4	0,1377	355				-	57	22	23,7	0,1593	400			-	80	23,6	25,3	0,1836	560 x	450		-	105	25,3	28,3	0,2112	BFN	900	185	330	42,7	45,7	0,4872	BFN	500	-	130	26,8	29,8	0,2332	550	10	155	28,5		31,5	0,2597	560	15	160	28,8			31,8	0,2650	600	35	180	30,2				33,2	0,2862	630	50	195	31,2				34,2	0,3021	650	60	205		31,9			34,9	0,3127	700	85			230	33,6		36,6	0,3392	710				90	235	33,9	36,9	0,3445	750				110	255	35,3	38,3	0,3657	800			135	280	37	40	0,3922	560 x	900		185	330	40,4	43,4	0,4452	BFN	1000	235	380	46,3	49,3	0,5452	BFN	1000	235	380	41,5	44,5	0,4512	180	-	-	15,8		17,5	0,0636	200	-	-	16,5			18,2	0,0742	225	-	-	17,3				19	0,0875	250	-	5	18,2				19,9	0,1007	280	-	20		19,2			20,9	0,1166	300	-			30	19,9		21,6	0,1272	315				-	37	20,4	22,1	0,1352	355				-	57	21,8	23,5	0,1564	400			-	80	23,3	25	0,1802	560 x	450		-	105	25,3	28,3	0,2112	BFN	600 x	630	50	195	35,5	38,5	0,3712	BF	500	-	130	26,8	29,8	0,2332	550	10	155		28,5	31,5	0,2597	560	15	160			28,8	31,8	0,2650	600	35	180	30,2				33,2	0,2862	630	50	195	31,2				34,2	0,3021	650	60		205	31,9			34,9	0,3127	700			85	230	33,6		36,6	0,3392	710				90	235	33,9	36,9	0,3445	750				110	255	35,3	38,3	0,3657	800		135		280	37	40	0,3922	560 x	900	185		330	40,4	43,4	0,4452	BFN	600 x	630	50	195	37,7	40,7	0,4002	BF	1000	235	380	43,9	46,9	0,4982	180	-	-		15,8	17,5	0,0636	200	-	-			16,5	18,2	0,0742	225	-	-	17,3				19	0,0875	250	-	5	18,2				19,9	0,1007	280	-		20	19,2			20,9	0,1166	300			-	30	19,9		21,6	0,1272	315				-	37	20,4	22,1	0,1352	355				-	57	21,8	23,5	0,1564	400		-		80	23,3	25	0,1802	560 x	450	-		105	25,3	28,3	0,2112	BFN	630 x	630	50	195	39,1	42,1	0,4292	BFN	500	-	130	26,8	29,8	0,2332	550	10	155		28,5	31,5	0,2597	560	15	160			28,8	31,8	0,2650	600	35	180	30,2				33,2	0,2862	630	50	195	31,2				34,2	0,3021	650	60		205	31,9			34,9	0,3127	700			85	230	33,6		36,6	0,3392	710				90	235	33,9	36,9	0,3445	750				110	255	35,3	38,3	0,3657	800		135		280	37	40	0,3922	560 x	900	185		330	40,4	43,4	0,4452	BFN	800	135	280	40,3	43,3	0,4514	BFN	1000	235	380	43,9	46,9	0,4982	180	-	-	16		17,7	0,0648	200	-	-	16,7			18,4	0,0756	225	-	-	17,5				19,2	0,0891	250	-	5	18,4				20,1	0,1026	280	-	20		19,4			21,1	0,1188	300	-			30	20,1		21,8	0,1296	315				-	37	20,7	22,4	0,1377	355				-	57	22	23,7	0,1593	400			-	80	23,6	25,3	0,1836																																																																																																																																																																																																																																																																																																																																																																																																									
	315	-	37	20,7	22,4	0,1377			355	-	57	22	23,7	0,1593			400		-	80	23,6	25,3	0,1836			450		-	105	25,3	28,3	0,2112		550 x	500		-	130	26,8	29,8	0,2332		BFN	600		35	180	28,3	31,3	0,2552		BFN	550	10	155	28,5	31,5	0,2597		560	15	160	28,8	31,8	0,2650	600	35	180		30,2	33,2	0,2862	630	50	195	31,2			34,2	0,3021	650	60	205	31,9				34,9	0,3127	700	85	230	33,6			36,6		0,3392	710	90	235	33,9				36,9	0,3445	750	110			255	35,3		38,3	0,3657	800				135	280	37	40	0,3922	560 x		900		185	330	40,4	43,4	0,4452		BFN	600 x		630	50	195	32,9	35,9		0,3306	BF	1000	235	380	43,9	46,9	0,4982		180	-	-	16	17,7	0,0648	200	-	-		16,7	18,4	0,0756	225	-	-			17,5	19,2	0,0891	250	-	5	18,4				20,1	0,1026	280	-	20	19,4				21,1	0,1188		300	-	30	20,1			21,8	0,1296			315	-	37	20,7		22,4	0,1377			355		-	57	22	23,7	0,1593		400	-		80	23,6	25,3	0,1836	560 x	450	-	105		25,3	28,3	0,2112	BFN		630 x	630	50	195	34	37	0,3477		BF	500	-	130	26,8	29,8	0,2332		550	10	155	28,5	31,5	0,2597	560	15	160		28,8	31,8	0,2650	600	35	180			30,2	33,2	0,2862	630	50	195	31,2				34,2	0,3021	650	60	205	31,9				34,9	0,3127	700	85		230	33,6			36,6	0,3392	710			90	235	33,9		36,9	0,3445	750				110	255	35,3	38,3	0,3657	800		135		280	37	40	0,3922	560 x	900	185	330		40,4	43,4	0,4452	BFN		800	135	280	39,1	42,1	0,4292	BFN		1000	235	380	43,9	46,9	0,4982		180	-	-	16	17,7	0,0648	200	-	-	16,7		18,4	0,0756	225	-	-	17,5			19,2	0,0891	250	-	5	18,4				20,1	0,1026	280	-	20	19,4				21,1	0,1188	300	-	30		20,1			21,8	0,1296	315	-			37	20,7		22,4	0,1377	355				-	57	22	23,7	0,1593	400			-	80	23,6	25,3	0,1836	560 x	450		-	105	25,3	28,3	0,2112	BFN		900	185	330	42,7	45,7	0,4872	BFN		500	-	130	26,8	29,8	0,2332		550	10	155	28,5	31,5	0,2597	560	15	160	28,8		31,8	0,2650	600	35	180	30,2			33,2	0,2862	630	50	195	31,2				34,2	0,3021	650	60	205	31,9				34,9	0,3127	700	85	230		33,6			36,6	0,3392	710	90			235	33,9		36,9	0,3445	750				110	255	35,3	38,3	0,3657	800			135	280	37	40	0,3922	560 x	900		185	330	40,4	43,4	0,4452	BFN		1000	235	380	46,3	49,3	0,5452	BFN		1000	235	380	41,5	44,5	0,4512		180	-	-	15,8	17,5	0,0636	200	-	-	16,5		18,2	0,0742	225	-	-	17,3			19	0,0875	250	-	5	18,2				19,9	0,1007	280	-	20	19,2				20,9	0,1166	300	-	30		19,9			21,6	0,1272	315	-			37	20,4		22,1	0,1352	355				-	57	21,8	23,5	0,1564	400			-	80	23,3	25	0,1802	560 x	450		-	105	25,3	28,3	0,2112	BFN		600 x	630	50	195	35,5	38,5	0,3712		BF	500	-	130	26,8	29,8	0,2332		550	10	155	28,5	31,5	0,2597	560	15	160		28,8	31,8	0,2650	600	35	180			30,2	33,2	0,2862	630	50	195	31,2				34,2	0,3021	650	60	205	31,9				34,9	0,3127	700	85		230	33,6			36,6	0,3392	710			90	235	33,9		36,9	0,3445	750				110	255	35,3	38,3	0,3657	800		135		280	37	40	0,3922	560 x	900	185	330		40,4	43,4	0,4452	BFN		600 x	630	50	195	37,7	40,7	0,4002		BF	1000	235	380	43,9	46,9	0,4982		180	-	-	15,8	17,5	0,0636	200	-	-		16,5	18,2	0,0742	225	-	-			17,3	19	0,0875	250	-	5	18,2				19,9	0,1007	280	-	20	19,2				20,9	0,1166	300	-		30	19,9			21,6	0,1272	315			-	37	20,4		22,1	0,1352	355				-	57	21,8	23,5	0,1564	400		-		80	23,3	25	0,1802	560 x	450	-	105		25,3	28,3	0,2112	BFN		630 x	630	50	195	39,1	42,1	0,4292		BFN	500	-	130	26,8	29,8	0,2332		550	10	155	28,5	31,5	0,2597	560	15	160		28,8	31,8	0,2650	600	35	180			30,2	33,2	0,2862	630	50	195	31,2				34,2	0,3021	650	60	205	31,9				34,9	0,3127	700	85		230	33,6			36,6	0,3392	710			90	235	33,9		36,9	0,3445	750				110	255	35,3	38,3	0,3657	800		135		280	37	40	0,3922	560 x	900	185	330		40,4	43,4	0,4452	BFN		800	135	280	40,3	43,3	0,4514	BFN		1000	235	380	43,9	46,9	0,4982		180	-	-	16	17,7	0,0648	200	-	-	16,7		18,4	0,0756	225	-	-	17,5			19,2	0,0891	250	-	5	18,4				20,1	0,1026	280	-	20	19,4				21,1	0,1188	300	-	30		20,1			21,8	0,1296	315	-			37	20,7		22,4	0,1377	355				-	57	22	23,7	0,1593	400			-	80	23,6	25,3	0,1836																																																																																																																																																																																																																																																																																																																																																																																																																		
	355	-	57	22	23,7	0,1593			400	-	80	23,6	25,3	0,1836			450		-	105	25,3	28,3	0,2112		550 x	500		-	130	26,8	29,8	0,2332	BFN		600		35	180	28,3	31,3	0,2552			BFN	550	10	155	28,5	31,5	0,2597			560	15	160	28,8	31,8	0,2650		600	35	180	30,2	33,2	0,2862	630	50	195		31,2	34,2	0,3021	650	60	205	31,9			34,9	0,3127	700	85	230	33,6				36,6	0,3392	710	90	235	33,9			36,9		0,3445	750	110	255	35,3				38,3	0,3657	800	135			280	37		40	0,3922	560 x		900		185	330	40,4	43,4	0,4452		BFN	600 x		630	50	195	32,9	35,9			0,3306	BF	1000	235	380	43,9	46,9		0,4982		180	-	-	16	17,7	0,0648		200	-	-	16,7	18,4	0,0756	225	-	-		17,5	19,2	0,0891	250	-	5			18,4	20,1	0,1026	280	-	20	19,4				21,1	0,1188	300	-	30	20,1				21,8	0,1296		315	-	37	20,7			22,4	0,1377			355	-	57	22		23,7	0,1593		400	-		80	23,6	25,3	0,1836	560 x	450	-	105		25,3	28,3	0,2112	BFN		630 x	630	50	195	34	37	0,3477			BF	500	-	130	26,8	29,8	0,2332			550	10	155	28,5	31,5	0,2597		560	15	160	28,8	31,8	0,2650	600	35	180		30,2	33,2	0,2862	630	50	195			31,2	34,2	0,3021	650	60	205	31,9				34,9	0,3127	700	85	230	33,6				36,6	0,3392	710	90		235	33,9			36,9	0,3445	750			110	255	35,3		38,3	0,3657	800		135		280	37	40	0,3922	560 x	900	185	330		40,4	43,4	0,4452	BFN		800	135	280	39,1	42,1	0,4292	BFN			1000	235	380	43,9	46,9	0,4982			180	-	-	16	17,7	0,0648		200	-	-	16,7	18,4	0,0756	225	-	-	17,5		19,2	0,0891	250	-	5	18,4			20,1	0,1026	280	-	20	19,4				21,1	0,1188	300	-	30	20,1				21,8	0,1296	315	-	37		20,7			22,4	0,1377	355	-			57	22		23,7	0,1593	400			-	80	23,6	25,3	0,1836	560 x	450		-	105	25,3	28,3	0,2112	BFN		900	185	330	42,7	45,7	0,4872	BFN			500	-	130	26,8	29,8	0,2332			550	10	155	28,5	31,5	0,2597		560	15	160	28,8	31,8	0,2650	600	35	180	30,2		33,2	0,2862	630	50	195	31,2			34,2	0,3021	650	60	205	31,9				34,9	0,3127	700	85	230	33,6				36,6	0,3392	710	90	235		33,9			36,9	0,3445	750	110			255	35,3		38,3	0,3657	800			135	280	37	40	0,3922	560 x	900		185	330	40,4	43,4	0,4452	BFN		1000	235	380	46,3	49,3	0,5452	BFN			1000	235	380	41,5	44,5	0,4512			180	-	-	15,8	17,5	0,0636		200	-	-	16,5	18,2	0,0742	225	-	-	17,3		19	0,0875	250	-	5	18,2			19,9	0,1007	280	-	20	19,2				20,9	0,1166	300	-	30	19,9				21,6	0,1272	315	-	37		20,4			22,1	0,1352	355	-			57	21,8		23,5	0,1564	400			-	80	23,3	25	0,1802	560 x	450		-	105	25,3	28,3	0,2112	BFN		600 x	630	50	195	35,5	38,5	0,3712			BF	500	-	130	26,8	29,8	0,2332			550	10	155	28,5	31,5	0,2597		560	15	160	28,8	31,8	0,2650	600	35	180		30,2	33,2	0,2862	630	50	195			31,2	34,2	0,3021	650	60	205	31,9				34,9	0,3127	700	85	230	33,6				36,6	0,3392	710	90		235	33,9			36,9	0,3445	750			110	255	35,3		38,3	0,3657	800		135		280	37	40	0,3922	560 x	900	185	330		40,4	43,4	0,4452	BFN		600 x	630	50	195	37,7	40,7	0,4002			BF	1000	235	380	43,9	46,9	0,4982			180	-	-	15,8	17,5	0,0636		200	-	-	16,5	18,2	0,0742	225	-	-		17,3	19	0,0875	250	-	5			18,2	19,9	0,1007	280	-	20	19,2				20,9	0,1166	300	-	30	19,9				21,6	0,1272	315	-		37	20,4			22,1	0,1352	355			-	57	21,8		23,5	0,1564	400		-		80	23,3	25	0,1802	560 x	450	-	105		25,3	28,3	0,2112	BFN		630 x	630	50	195	39,1	42,1	0,4292			BFN	500	-	130	26,8	29,8	0,2332			550	10	155	28,5	31,5	0,2597		560	15	160	28,8	31,8	0,2650	600	35	180		30,2	33,2	0,2862	630	50	195			31,2	34,2	0,3021	650	60	205	31,9				34,9	0,3127	700	85	230	33,6				36,6	0,3392	710	90		235	33,9			36,9	0,3445	750			110	255	35,3		38,3	0,3657	800		135		280	37	40	0,3922	560 x	900	185	330		40,4	43,4	0,4452	BFN		800	135	280	40,3	43,3	0,4514	BFN			1000	235	380	43,9	46,9	0,4982			180	-	-	16	17,7	0,0648		200	-	-	16,7	18,4	0,0756	225	-	-	17,5		19,2	0,0891	250	-	5	18,4			20,1	0,1026	280	-	20	19,4				21,1	0,1188	300	-	30	20,1				21,8	0,1296	315	-	37		20,7			22,4	0,1377	355	-			57	22		23,7	0,1593	400			-	80	23,6	25,3	0,1836																																																																																																																																																																																																																																																																																																																																																																																																																											
	400	-	80	23,6	25,3	0,1836			450	-	105	25,3	28,3	0,2112	550 x		500		-	130	26,8	29,8	0,2332	BFN		600		35	180	28,3	31,3	0,2552			BFN	550	10	155	28,5	31,5	0,2597				560	15	160	28,8	31,8	0,2650			600	35	180	30,2	33,2	0,2862		630	50	195	31,2	34,2	0,3021	650	60	205		31,9	34,9	0,3127	700	85	230	33,6			36,6	0,3392	710	90	235	33,9				36,9	0,3445	750	110	255	35,3			38,3		0,3657	800	135	280	37				40	0,3922	560 x	900		185	330	40,4		43,4	0,4452		BFN	600 x		630	50	195	32,9	35,9			0,3306	BF	1000	235	380	43,9	46,9			0,4982		180	-	-	16	17,7		0,0648		200	-	-	16,7	18,4	0,0756		225	-	-	17,5	19,2	0,0891	250	-	5		18,4	20,1	0,1026	280	-	20			19,4	21,1	0,1188	300	-	30	20,1				21,8	0,1296	315	-	37	20,7				22,4	0,1377		355	-	57	22			23,7	0,1593	400		-	80	23,6	25,3		0,1836	560 x	450	-	105		25,3	28,3	0,2112	BFN		630 x	630	50	195	34	37	0,3477			BF	500	-	130	26,8	29,8	0,2332				550	10	155	28,5	31,5	0,2597			560	15	160	28,8	31,8	0,2650		600	35	180	30,2	33,2	0,2862	630	50	195		31,2	34,2	0,3021	650	60	205			31,9	34,9	0,3127	700	85	230	33,6				36,6	0,3392	710	90	235	33,9				36,9	0,3445	750	110		255	35,3			38,3	0,3657	800		135	280	37	40		0,3922	560 x	900	185	330		40,4	43,4	0,4452	BFN		800	135	280	39,1	42,1	0,4292	BFN			1000	235	380	43,9	46,9	0,4982				180	-	-	16	17,7	0,0648			200	-	-	16,7	18,4	0,0756		225	-	-	17,5	19,2	0,0891	250	-	5	18,4		20,1	0,1026	280	-	20	19,4			21,1	0,1188	300	-	30	20,1				21,8	0,1296	315	-	37	20,7				22,4	0,1377	355	-	57		22			23,7	0,1593	400	-		80	23,6	25,3		0,1836	560 x	450		-	105	25,3	28,3	0,2112	BFN		900	185	330	42,7	45,7	0,4872	BFN			500	-	130	26,8	29,8	0,2332				550	10	155	28,5	31,5	0,2597			560	15	160	28,8	31,8	0,2650		600	35	180	30,2	33,2	0,2862	630	50	195	31,2		34,2	0,3021	650	60	205	31,9			34,9	0,3127	700	85	230	33,6				36,6	0,3392	710	90	235	33,9				36,9	0,3445	750	110	255		35,3			38,3	0,3657	800	135		280	37	40		0,3922	560 x	900		185	330	40,4	43,4	0,4452	BFN		1000	235	380	46,3	49,3	0,5452	BFN			1000	235	380	41,5	44,5	0,4512				180	-	-	15,8	17,5	0,0636			200	-	-	16,5	18,2	0,0742		225	-	-	17,3	19	0,0875	250	-	5	18,2		19,9	0,1007	280	-	20	19,2			20,9	0,1166	300	-	30	19,9				21,6	0,1272	315	-	37	20,4				22,1	0,1352	355	-	57		21,8			23,5	0,1564	400	-		80	23,3	25		0,1802	560 x	450		-	105	25,3	28,3	0,2112	BFN		600 x	630	50	195	35,5	38,5	0,3712			BF	500	-	130	26,8	29,8	0,2332				550	10	155	28,5	31,5	0,2597			560	15	160	28,8	31,8	0,2650		600	35	180	30,2	33,2	0,2862	630	50	195		31,2	34,2	0,3021	650	60	205			31,9	34,9	0,3127	700	85	230	33,6				36,6	0,3392	710	90	235	33,9				36,9	0,3445	750	110		255	35,3			38,3	0,3657	800		135	280	37	40		0,3922	560 x	900	185	330		40,4	43,4	0,4452	BFN		600 x	630	50	195	37,7	40,7	0,4002			BF	1000	235	380	43,9	46,9	0,4982				180	-	-	15,8	17,5	0,0636			200	-	-	16,5	18,2	0,0742		225	-	-	17,3	19	0,0875	250	-	5		18,2	19,9	0,1007	280	-	20			19,2	20,9	0,1166	300	-	30	19,9				21,6	0,1272	315	-	37	20,4				22,1	0,1352	355	-		57	21,8			23,5	0,1564	400		-	80	23,3	25		0,1802	560 x	450	-	105		25,3	28,3	0,2112	BFN		630 x	630	50	195	39,1	42,1	0,4292			BFN	500	-	130	26,8	29,8	0,2332				550	10	155	28,5	31,5	0,2597			560	15	160	28,8	31,8	0,2650		600	35	180	30,2	33,2	0,2862	630	50	195		31,2	34,2	0,3021	650	60	205			31,9	34,9	0,3127	700	85	230	33,6				36,6	0,3392	710	90	235	33,9				36,9	0,3445	750	110		255	35,3			38,3	0,3657	800		135	280	37	40		0,3922	560 x	900	185	330		40,4	43,4	0,4452	BFN		800	135	280	40,3	43,3	0,4514	BFN			1000	235	380	43,9	46,9	0,4982				180	-	-	16	17,7	0,0648			200	-	-	16,7	18,4	0,0756		225	-	-	17,5	19,2	0,0891	250	-	5	18,4		20,1	0,1026	280	-	20	19,4			21,1	0,1188	300	-	30	20,1				21,8	0,1296	315	-	37	20,7				22,4	0,1377	355	-	57		22			23,7	0,1593	400	-		80	23,6	25,3		0,1836																																																																																																																																																																																																																																																																																																																																																																																																																																				
	450	-	105	25,3	28,3	0,2112		550 x	500	-	130	26,8	29,8	0,2332		BFN	600		35	180	28,3	31,3	0,2552			BFN	550	10	155	28,5	31,5	0,2597				560	15	160	28,8	31,8	0,2650				600	35	180	30,2	33,2	0,2862			630	50	195	31,2	34,2	0,3021		650	60	205	31,9	34,9	0,3127	700	85	230		33,6	36,6	0,3392	710	90	235	33,9			36,9	0,3445	750	110	255	35,3				38,3	0,3657	800	135	280	37			40		0,3922	560 x	900	185	330	40,4			43,4	0,4452		BFN	600 x	630	50	195		32,9	35,9			0,3306	BF	1000	235	380	43,9	46,9			0,4982		180	-	-	16	17,7			0,0648		200	-	-	16,7	18,4		0,0756		225	-	-	17,5	19,2	0,0891		250	-	5	18,4	20,1	0,1026	280	-	20		19,4	21,1	0,1188	300	-	30			20,1	21,8	0,1296	315	-	37	20,7				22,4	0,1377	355	-	57	22				23,7	0,1593	400	-	80	23,6	25,3			0,1836	560 x	450	-	105	25,3	28,3	0,2112		BFN		630 x	630	50	195	34	37	0,3477			BF	500	-	130	26,8	29,8	0,2332				550	10	155	28,5	31,5	0,2597				560	15	160	28,8	31,8	0,2650			600	35	180	30,2	33,2	0,2862		630	50	195	31,2	34,2	0,3021	650	60	205		31,9	34,9	0,3127	700	85	230			33,6	36,6	0,3392	710	90	235	33,9				36,9	0,3445	750	110	255	35,3				38,3	0,3657	800	135	280	37	40			0,3922	560 x	900	185	330	40,4	43,4	0,4452		BFN		800	135	280	39,1	42,1	0,4292	BFN			1000	235	380	43,9	46,9	0,4982				180	-	-	16	17,7	0,0648				200	-	-	16,7	18,4	0,0756			225	-	-	17,5	19,2	0,0891		250	-	5	18,4	20,1	0,1026	280	-	20	19,4		21,1	0,1188	300	-	30	20,1			21,8	0,1296	315	-	37	20,7				22,4	0,1377	355	-	57	22				23,7	0,1593	400	-	80	23,6	25,3			0,1836	560 x	450	-	105	25,3	28,3	0,2112		BFN		900	185	330	42,7	45,7	0,4872	BFN			500	-	130	26,8	29,8	0,2332				550	10	155	28,5	31,5	0,2597				560	15	160	28,8	31,8	0,2650			600	35	180	30,2	33,2	0,2862		630	50	195	31,2	34,2	0,3021	650	60	205	31,9		34,9	0,3127	700	85	230	33,6			36,6	0,3392	710	90	235	33,9				36,9	0,3445	750	110	255	35,3				38,3	0,3657	800	135	280	37	40			0,3922	560 x	900	185	330	40,4	43,4	0,4452		BFN		1000	235	380	46,3	49,3	0,5452	BFN			1000	235	380	41,5	44,5	0,4512				180	-	-	15,8	17,5	0,0636				200	-	-	16,5	18,2	0,0742			225	-	-	17,3	19	0,0875		250	-	5	18,2	19,9	0,1007	280	-	20	19,2		20,9	0,1166	300	-	30	19,9			21,6	0,1272	315	-	37	20,4				22,1	0,1352	355	-	57	21,8				23,5	0,1564	400	-	80	23,3	25			0,1802	560 x	450	-	105	25,3	28,3	0,2112		BFN		600 x	630	50	195	35,5	38,5	0,3712			BF	500	-	130	26,8	29,8	0,2332				550	10	155	28,5	31,5	0,2597				560	15	160	28,8	31,8	0,2650			600	35	180	30,2	33,2	0,2862		630	50	195	31,2	34,2	0,3021	650	60	205		31,9	34,9	0,3127	700	85	230			33,6	36,6	0,3392	710	90	235	33,9				36,9	0,3445	750	110	255	35,3				38,3	0,3657	800	135	280	37	40			0,3922	560 x	900	185	330	40,4	43,4	0,4452		BFN		600 x	630	50	195	37,7	40,7	0,4002			BF	1000	235	380	43,9	46,9	0,4982				180	-	-	15,8	17,5	0,0636				200	-	-	16,5	18,2	0,0742			225	-	-	17,3	19	0,0875		250	-	5	18,2	19,9	0,1007	280	-	20		19,2	20,9	0,1166	300	-	30			19,9	21,6	0,1272	315	-	37	20,4				22,1	0,1352	355	-	57	21,8				23,5	0,1564	400	-	80	23,3	25			0,1802	560 x	450	-	105	25,3	28,3	0,2112		BFN		630 x	630	50	195	39,1	42,1	0,4292			BFN	500	-	130	26,8	29,8	0,2332				550	10	155	28,5	31,5	0,2597				560	15	160	28,8	31,8	0,2650			600	35	180	30,2	33,2	0,2862		630	50	195	31,2	34,2	0,3021	650	60	205		31,9	34,9	0,3127	700	85	230			33,6	36,6	0,3392	710	90	235	33,9				36,9	0,3445	750	110	255	35,3				38,3	0,3657	800	135	280	37	40			0,3922	560 x	900	185	330	40,4	43,4	0,4452		BFN		800	135	280	40,3	43,3	0,4514	BFN			1000	235	380	43,9	46,9	0,4982				180	-	-	16	17,7	0,0648				200	-	-	16,7	18,4	0,0756			225	-	-	17,5	19,2	0,0891		250	-	5	18,4	20,1	0,1026	280	-	20	19,4		21,1	0,1188	300	-	30	20,1			21,8	0,1296	315	-	37	20,7				22,4	0,1377	355	-	57	22				23,7	0,1593	400	-	80	23,6	25,3			0,1836																																																																																																																																																																																																																																																																																																																																																																																																																																													
550 x	500	-	130	26,8	29,8	0,2332	BFN		600	35	180	28,3	31,3	0,2552			BFN																																																																																																																																																																																																																																																																																																																																																																																																																																																																																																																																																																																																																																																																																																																																																																																																																																																																																																																																																																																																																																																																																																																																																																																																																																																																																																																																																																																																																																																																
	550	10	155	28,5	31,5	0,2597			560	15	160	28,8	31,8	0,2650				600	35	180	30,2	33,2	0,2862				630	50	195	31,2	34,2	0,3021				650	60	205	31,9	34,9	0,3127				700	85	230	33,6	36,6	0,3392			710	90	235	33,9	36,9	0,3445		750	110	255	35,3	38,3	0,3657	800	135	280		37	40	0,3922	560 x	900	185	330			40,4	43,4	0,4452	BFN	600 x	630			50	195	32,9	35,9	0,3306	BF	1000		235	380	43,9	46,9		0,4982	180	-	-	16	17,7	0,0648	200			-	-	16,7	18,4	0,0756	225	-			-		17,5	19,2	0,0891	250	-			5		18,4	20,1	0,1026	280	-			20		19,4	21,1	0,1188	300	-		30		20,1	21,8	0,1296	315	-	37		20,7	22,4	0,1377	355	-	57	22	23,7	0,1593		400	-	80	23,6	25,3	0,1836			560 x	450	-	105	25,3	28,3	0,2112		BFN		630 x	630	50	195	34	37	0,3477	BF		500	-	130	26,8	29,8	0,2332	550	10	155	28,5		31,5	0,2597	560	15	160	28,8	31,8			0,2650	600	35	180	30,2	33,2	0,2862				630	50	195	31,2	34,2	0,3021				650	60	205	31,9	34,9	0,3127				700	85	230	33,6	36,6	0,3392			710	90	235	33,9	36,9	0,3445		750	110	255	35,3	38,3	0,3657	800	135	280		37	40	0,3922	560 x	900	185			330	40,4	43,4	0,4452	BFN	800	135		280		39,1	42,1	0,4292	BFN	1000	235	380	43,9		46,9	0,4982	180	-	-	16	17,7	0,0648	200	-		-	16,7	18,4	0,0756	225	-	-			17,5	19,2	0,0891	250	-	5				18,4	20,1	0,1026	280	-	20				19,4	21,1	0,1188	300	-	30				20,1	21,8	0,1296	315	-	37			20,7	22,4	0,1377	355	-	57		22	23,7	0,1593	400	-	80	23,6	25,3	0,1836	560 x		450	-	105	25,3	28,3	0,2112			BFN	900	185	330	42,7	45,7			0,4872	BFN	500	-	130	26,8	29,8		0,2332	550	10	155	28,5	31,5	0,2597	560	15	160	28,8	31,8		0,2650	600	35	180	30,2	33,2	0,2862			630	50	195	31,2	34,2	0,3021				650	60	205	31,9	34,9	0,3127				700	85	230	33,6	36,6	0,3392				710	90	235	33,9	36,9	0,3445			750	110	255	35,3	38,3	0,3657		800	135	280	37	40	0,3922	560 x	900	185	330		40,4	43,4	0,4452	BFN	1000	235			380	46,3	49,3	0,5452	BFN	1000			235	380	41,5	44,5	0,4512	180	-		-	15,8	17,5	0,0636	200	-	-	16,5	18,2	0,0742	225	-		-	17,3	19	0,0875	250	-	5			18,2	19,9	0,1007	280	-	20				19,2	20,9	0,1166	300	-	30				19,9	21,6	0,1272	315	-	37				20,4	22,1	0,1352	355	-	57			21,8	23,5	0,1564	400	-	80		23,3	25	0,1802	560 x	450	-	105	25,3	28,3	0,2112		BFN	600 x	630	50	195	35,5			38,5	0,3712	BF	500	-	130			26,8	29,8	0,2332	550	10	155	28,5		31,5	0,2597	560	15	160	28,8	31,8	0,2650	600	35	180	30,2		33,2	0,2862	630	50	195	31,2	34,2			0,3021	650	60	205	31,9	34,9	0,3127				700	85	230	33,6	36,6	0,3392				710	90	235	33,9	36,9	0,3445				750	110	255	35,3	38,3	0,3657			800	135	280	37	40	0,3922		560 x	900	185	330	40,4	43,4	0,4452	BFN	600 x		630	50	195	37,7	40,7	0,4002			BF	1000	235	380	43,9	46,9	0,4982		180		-	-	15,8	17,5	0,0636	200	-	-		16,5	18,2	0,0742	225	-	-	17,3	19	0,0875	250		-	5	18,2	19,9	0,1007	280	-			20	19,2	20,9	0,1166	300	-	30				19,9	21,6	0,1272	315	-	37				20,4	22,1	0,1352	355	-	57				21,8	23,5	0,1564	400	-	80			23,3	25	0,1802	560 x	450	-		105	25,3	28,3	0,2112	BFN	630 x	630	50	195		39,1	42,1	0,4292	BFN	500	-			130	26,8	29,8	0,2332	550	10	155		28,5		31,5	0,2597	560	15	160	28,8	31,8	0,2650		600	35	180	30,2	33,2	0,2862	630	50	195	31,2		34,2	0,3021	650	60	205	31,9	34,9			0,3127	700	85	230	33,6	36,6	0,3392				710	90	235	33,9	36,9	0,3445				750	110	255	35,3	38,3	0,3657				800	135	280	37	40	0,3922			560 x	900	185	330	40,4	43,4		0,4452	BFN	800	135	280	40,3	43,3	0,4514	BFN		1000	235	380	43,9	46,9	0,4982			180	-	-	16	17,7	0,0648	200		-		-	16,7	18,4	0,0756	225	-	-	17,5		19,2	0,0891	250	-	5	18,4	20,1	0,1026	280	-		20	19,4	21,1	0,1188	300	-	30			20,1	21,8	0,1296	315	-	37				20,7	22,4	0,1377	355	-	57				22	23,7	0,1593	400	-	80				23,6	25,3	0,1836																																																																																																																																																																																																																																																																																																																																																																																																																																																																																																								
	560	15	160	28,8	31,8	0,2650			600	35	180	30,2	33,2	0,2862				630	50	195	31,2	34,2	0,3021				650	60	205	31,9	34,9	0,3127				700	85	230	33,6	36,6	0,3392				710	90	235	33,9	36,9	0,3445			750	110	255	35,3	38,3	0,3657		800	135	280	37	40	0,3922	560 x	900	185		330	40,4	43,4		0,4452	BFN	600 x		630	50	195	32,9		35,9	0,3306		BF	1000	235	380	43,9	46,9		0,4982	180	-	-	16	17,7		0,0648	200	-	-	16,7	18,4	0,0756	225			-	-	17,5	19,2	0,0891	250	-			5		18,4	20,1	0,1026	280	-			20		19,4	21,1	0,1188	300	-			30		20,1	21,8	0,1296	315	-		37		20,7	22,4	0,1377	355	-	57		22	23,7	0,1593	400	-	80	23,6	25,3	0,1836		560 x	450	-	105	25,3	28,3		0,2112		BFN	630 x	630	50	195	34	37			0,3477	BF	500	-	130	26,8	29,8		0,2332	550	10	155	28,5	31,5	0,2597	560	15	160	28,8		31,8	0,2650	600	35	180	30,2	33,2			0,2862	630	50	195	31,2	34,2	0,3021				650	60	205	31,9	34,9	0,3127				700	85	230	33,6	36,6	0,3392				710	90	235	33,9	36,9	0,3445			750	110	255	35,3	38,3	0,3657		800	135	280	37	40	0,3922	560 x	900	185		330	40,4	43,4		0,4452	BFN		800	135	280	39,1	42,1		0,4292	BFN	1000	235		380	43,9	46,9		0,4982	180	-	-	16	17,7	0,0648	200	-	-	16,7	18,4	0,0756	225	-		-	17,5	19,2	0,0891	250	-	5			18,4	20,1	0,1026	280	-	20				19,4	21,1	0,1188	300	-	30				20,1	21,8	0,1296	315	-	37				20,7	22,4	0,1377	355	-	57			22	23,7	0,1593	400	-	80		23,6	25,3	0,1836	560 x	450	-	105	25,3	28,3			0,2112	BFN	900	185	330	42,7		45,7		0,4872	BFN	500	-	130		26,8	29,8		0,2332	550	10	155	28,5	31,5	0,2597	560	15	160	28,8	31,8	0,2650	600	35	180	30,2	33,2		0,2862	630	50	195	31,2	34,2	0,3021			650	60	205	31,9	34,9	0,3127				700	85	230	33,6	36,6	0,3392				710	90	235	33,9	36,9	0,3445				750	110	255	35,3	38,3	0,3657			800	135	280	37	40	0,3922		560 x	900	185	330	40,4	43,4		0,4452	BFN	1000		235	380	46,3		49,3	0,5452		BFN	1000	235	380	41,5		44,5		0,4512	180	-	-	15,8	17,5	0,0636	200	-	-	16,5	18,2	0,0742	225	-	-	17,3	19	0,0875	250	-		5	18,2	19,9	0,1007	280	-	20			19,2	20,9	0,1166	300	-	30				19,9	21,6	0,1272	315	-	37				20,4	22,1	0,1352	355	-	57				21,8	23,5	0,1564	400	-	80			23,3	25	0,1802	560 x	450	-		105	25,3	28,3		0,2112	BFN	600 x	630	50	195			35,5	38,5	0,3712	BF	500		-	130	26,8		29,8	0,2332	550		10	155	28,5	31,5	0,2597	560	15	160	28,8	31,8	0,2650	600	35	180	30,2	33,2	0,2862	630	50	195	31,2		34,2	0,3021	650	60	205	31,9	34,9			0,3127	700	85	230	33,6	36,6	0,3392				710	90	235	33,9	36,9	0,3445				750	110	255	35,3	38,3	0,3657				800	135	280	37	40	0,3922			560 x	900	185	330	40,4	43,4			0,4452	BFN	600 x	630	50	195		37,7		40,7	0,4002	BF	1000	235	380		43,9		46,9	0,4982	180	-	-	15,8	17,5	0,0636		200	-	-	16,5	18,2	0,0742	225	-	-	17,3	19	0,0875	250	-	5	18,2	19,9	0,1007	280		-	20	19,2	20,9	0,1166	300	-			30	19,9	21,6	0,1272	315	-	37				20,4	22,1	0,1352	355	-	57				21,8	23,5	0,1564	400	-	80				23,3	25	0,1802	560 x	450	-			105	25,3	28,3		0,2112	BFN		630 x	630	50	195		39,1	42,1	0,4292	BFN		500	-	130		26,8	29,8		0,2332	550	10	155	28,5	31,5	0,2597	560	15	160		28,8	31,8	0,2650	600	35	180	30,2	33,2	0,2862	630	50	195	31,2	34,2	0,3021	650	60	205	31,9		34,9	0,3127	700	85	230	33,6	36,6			0,3392	710	90	235	33,9	36,9	0,3445				750	110	255	35,3	38,3	0,3657				800	135	280	37	40	0,3922				560 x	900	185	330	40,4	43,4				0,4452	BFN	800	135	280		40,3		43,3	0,4514	BFN	1000	235	380			43,9	46,9	0,4982	180	-	-		16	17,7	0,0648	200	-	-	16,7	18,4	0,0756	225		-	-	17,5	19,2	0,0891	250	-	5	18,4	20,1	0,1026	280	-	20	19,4	21,1	0,1188	300	-		30	20,1	21,8	0,1296	315	-	37			20,7	22,4	0,1377	355	-	57				22	23,7	0,1593	400	-	80				23,6	25,3	0,1836																																																																																																																																																																																																																																																																																																																																																																																																																																																																																																																	
	600	35	180	30,2	33,2	0,2862			630	50	195	31,2	34,2	0,3021				650	60	205	31,9	34,9	0,3127				700	85	230	33,6	36,6	0,3392				710	90	235	33,9	36,9	0,3445				750	110	255	35,3	38,3	0,3657			800	135	280	37	40	0,3922		560 x	900	185	330	40,4	43,4		0,4452	BFN	600 x	630	50	195		32,9		35,9	0,3306	BF	1000	235	380		43,9	46,9	0,4982		180	-	-	16	17,7		0,0648	200	-	-	16,7	18,4		0,0756	225	-	-	17,5	19,2	0,0891	250			-	5	18,4	20,1	0,1026	280	-			20		19,4	21,1	0,1188	300	-			30		20,1	21,8	0,1296	315	-			37		20,7	22,4	0,1377	355	-		57		22	23,7	0,1593	400	-	80		23,6	25,3	0,1836	560 x	450	-	105	25,3	28,3	0,2112		BFN	630 x	630	50	195	34	37			0,3477	BF	500	-	130	26,8		29,8	0,2332		550	10	155	28,5	31,5		0,2597	560	15	160	28,8	31,8	0,2650	600	35	180	30,2		33,2	0,2862	630	50	195	31,2	34,2			0,3021	650	60	205	31,9	34,9	0,3127				700	85	230	33,6	36,6	0,3392				710	90	235	33,9	36,9	0,3445				750	110	255	35,3	38,3	0,3657			800	135	280	37	40	0,3922		560 x	900	185	330	40,4	43,4		0,4452	BFN	800	135	280	39,1		42,1		0,4292	BFN	1000	235	380	43,9		46,9		0,4982	180	-	-	16	17,7		0,0648	200	-	-	16,7	18,4	0,0756	225	-	-	17,5	19,2	0,0891	250	-		5	18,4	20,1	0,1026	280	-	20			19,4	21,1	0,1188	300	-	30				20,1	21,8	0,1296	315	-	37				20,7	22,4	0,1377	355	-	57				22	23,7	0,1593	400	-	80			23,6	25,3	0,1836	560 x	450	-		105	25,3	28,3		0,2112	BFN	900	185	330		42,7	45,7		0,4872	BFN	500	-	130	26,8		29,8		0,2332	550	10	155	28,5	31,5		0,2597	560	15	160	28,8	31,8	0,2650	600	35	180	30,2	33,2	0,2862	630	50	195	31,2	34,2		0,3021	650	60	205	31,9	34,9	0,3127			700	85	230	33,6	36,6	0,3392				710	90	235	33,9	36,9	0,3445				750	110	255	35,3	38,3	0,3657				800	135	280	37	40	0,3922			560 x	900	185	330	40,4	43,4			0,4452	BFN	1000	235	380		46,3		49,3	0,5452	BFN	1000	235		380	41,5	44,5		0,4512	180	-	-		15,8	17,5	0,0636	200	-	-	16,5	18,2	0,0742	225	-	-	17,3	19	0,0875	250	-	5	18,2	19,9	0,1007	280	-		20	19,2	20,9	0,1166	300	-	30			19,9	21,6	0,1272	315	-	37				20,4	22,1	0,1352	355	-	57				21,8	23,5	0,1564	400	-	80				23,3	25	0,1802	560 x	450	-			105	25,3	28,3		0,2112	BFN		600 x	630	50		195		35,5	38,5	0,3712	BF	500		-	130	26,8		29,8	0,2332	550	10	155		28,5	31,5	0,2597	560	15	160	28,8	31,8	0,2650	600	35	180	30,2	33,2	0,2862	630	50	195	31,2	34,2	0,3021	650	60	205	31,9		34,9	0,3127	700	85	230	33,6	36,6			0,3392	710	90	235	33,9	36,9	0,3445				750	110	255	35,3	38,3	0,3657				800	135	280	37	40	0,3922				560 x	900	185	330	40,4	43,4				0,4452	BFN	600 x	630	50			195		37,7	40,7	0,4002	BF		1000	235	380	43,9		46,9	0,4982	180	-	-		15,8	17,5	0,0636	200	-	-	16,5	18,2	0,0742	225	-	-	17,3	19	0,0875	250	-	5	18,2	19,9	0,1007	280	-	20	19,2	20,9	0,1166	300		-	30	19,9	21,6	0,1272	315	-			37	20,4	22,1	0,1352	355	-	57				21,8	23,5	0,1564	400	-	80				23,3	25	0,1802	560 x	450	-				105	25,3	28,3		0,2112	BFN			630 x	630	50		195			39,1	42,1	0,4292	BFN		500	-	130		26,8	29,8	0,2332	550		10	155	28,5	31,5	0,2597	560	15	160	28,8	31,8	0,2650	600	35	180	30,2	33,2	0,2862	630	50	195	31,2	34,2	0,3021	650	60	205	31,9	34,9	0,3127	700	85	230	33,6		36,6	0,3392	710	90	235	33,9	36,9			0,3445	750	110	255	35,3	38,3	0,3657				800	135	280	37	40	0,3922				560 x	900	185	330	40,4	43,4					0,4452	BFN	800	135	280				40,3		43,3	0,4514	BFN		1000		235	380		43,9	46,9	0,4982		180	-	-	16	17,7	0,0648	200	-	-	16,7	18,4	0,0756	225	-	-	17,5	19,2	0,0891	250	-	5	18,4	20,1	0,1026	280	-	20	19,4	21,1	0,1188	300	-	30	20,1	21,8	0,1296	315	-		37	20,7	22,4	0,1377	355	-	57			22	23,7	0,1593	400	-	80				23,6	25,3	0,1836																																																																																																																																																																																																																																																																																																																																																																																																																																																																																																																										
	630	50	195	31,2	34,2	0,3021			650	60	205	31,9	34,9	0,3127				700	85	230	33,6	36,6	0,3392				710	90	235	33,9	36,9	0,3445				750	110	255	35,3	38,3	0,3657				800	135	280	37	40	0,3922			560 x	900	185	330	40,4	43,4			0,4452	BFN	600 x	630	50		195		32,9	35,9	0,3306	BF		1000		235	380		43,9	46,9	0,4982		180	-	-		16	17,7	0,0648	200	-		-	16,7	18,4	0,0756	225	-		-	17,5	19,2	0,0891	250	-	5	18,4			20,1	0,1026	280	-	20	19,4	21,1			0,1188		300	-	30	20,1	21,8			0,1296		315	-	37	20,7	22,4			0,1377		355	-	57	22	23,7		0,1593		400	-	80	23,6	25,3	0,1836		560 x	450	-		105	25,3	28,3	0,2112	BFN	630 x			630	50	195	34	37	0,3477			BF		500	-	130	26,8		29,8	0,2332		550	10	155	28,5	31,5		0,2597	560	15	160	28,8	31,8	0,2650	600	35	180	30,2		33,2	0,2862	630	50	195	31,2	34,2			0,3021	650	60	205	31,9	34,9	0,3127				700	85	230	33,6	36,6	0,3392				710	90	235	33,9	36,9	0,3445				750	110	255	35,3	38,3	0,3657			800	135	280	37	40	0,3922			560 x	900	185	330	40,4		43,4		0,4452	BFN	800	135		280		39,1		42,1	0,4292	BFN	1000		235		380	43,9	46,9	0,4982	180	-		-	16	17,7	0,0648	200	-	-	16,7	18,4	0,0756	225	-	-	17,5	19,2		0,0891	250	-	5	18,4	20,1	0,1026			280	-	20	19,4	21,1	0,1188				300	-	30	20,1	21,8	0,1296				315	-	37	20,7	22,4	0,1377				355	-	57	22	23,7	0,1593			400	-	80		23,6	25,3		0,1836	560 x	450		-		105	25,3	28,3		0,2112	BFN		900		185	330	42,7	45,7		0,4872		BFN	500	-	130	26,8	29,8		0,2332	550	10	155	28,5	31,5	0,2597	560	15	160	28,8	31,8	0,2650	600	35	180	30,2	33,2		0,2862	630	50	195	31,2	34,2	0,3021			650	60	205	31,9	34,9	0,3127				700	85	230	33,6	36,6	0,3392				710	90	235	33,9	36,9	0,3445				750	110	255	35,3	38,3	0,3657				800	135	280	37	40			0,3922		560 x	900	185		330		40,4	43,4		0,4452	BFN		1000	235	380		46,3	49,3	0,5452	BFN		1000	235	380	41,5	44,5	0,4512	180	-	-	15,8	17,5	0,0636	200	-	-	16,5	18,2	0,0742	225	-	-	17,3	19		0,0875	250	-	5	18,2	19,9	0,1007			280	-	20	19,2	20,9	0,1166				300	-	30	19,9	21,6	0,1272				315	-	37	20,4	22,1	0,1352				355	-	57		21,8	23,5			0,1564	400	-		80			23,3	25	0,1802		560 x		450	-	105		25,3		28,3	0,2112	BFN		600 x	630	50	195	35,5		38,5	0,3712	BF	500	-	130	26,8	29,8	0,2332	550	10	155	28,5	31,5	0,2597	560	15	160	28,8	31,8	0,2650	600	35	180	30,2		33,2	0,2862	630	50	195	31,2	34,2			0,3021	650	60	205	31,9	34,9	0,3127				700	85	230	33,6	36,6	0,3392				710	90	235	33,9	36,9	0,3445					750	110	255	35,3	38,3				0,3657		800	135	280			37		40	0,3922	560 x			900	185	330	40,4		43,4	0,4452	BFN	600 x	630		50	195	37,7	40,7	0,4002	BF	1000	235	380	43,9	46,9	0,4982	180	-	-	15,8	17,5	0,0636	200	-	-	16,5	18,2	0,0742	225	-	-	17,3		19	0,0875	250	-	5	18,2	19,9			0,1007	280	-	20	19,2	20,9	0,1166				300	-	30	19,9	21,6	0,1272				315	-	37		20,4	22,1				0,1352	355	-		57				21,8	23,5	0,1564		400			-	80	23,3			25	0,1802	560 x		450	-	105	25,3		28,3	0,2112	BFN	630 x	630	50	195	39,1	42,1	0,4292	BFN	500	-	130	26,8	29,8	0,2332	550	10	155	28,5	31,5	0,2597	560	15	160	28,8	31,8	0,2650	600	35	180	30,2		33,2	0,2862	630	50	195	31,2	34,2			0,3021	650	60	205	31,9	34,9	0,3127				700	85	230	33,6	36,6	0,3392					710	90	235	33,9	36,9					0,3445		750	110	255				35,3		38,3	0,3657			800		135	280		37	40	0,3922		560 x	900	185	330	40,4	43,4	0,4452	BFN	800	135	280	40,3	43,3	0,4514	BFN	1000	235	380	43,9	46,9	0,4982	180	-	-	16	17,7	0,0648	200	-	-	16,7	18,4	0,0756	225	-	-	17,5	19,2		0,0891	250	-	5	18,4	20,1	0,1026			280	-	20	19,4	21,1	0,1188				300	-	30	20,1	21,8	0,1296				315	-	37	20,7	22,4	0,1377				355	-	57	22	23,7	0,1593			400	-	80	23,6	25,3	0,1836																																																																																																																																																																																																																																																																																																																																																																																																																																																																																													
	650	60	205	31,9	34,9	0,3127			700	85	230	33,6	36,6	0,3392				710	90	235	33,9	36,9	0,3445				750	110	255	35,3	38,3	0,3657				800	135	280	37	40	0,3922	560 x			900	185	330	40,4	43,4	0,4452	BFN			600 x	630	50	195	32,9	35,9		0,3306		BF	1000	235		380		43,9	46,9	0,4982			180		-	-		16	17,7	0,0648		200	-	-		16,7	18,4	0,0756	225	-		-	17,5	19,2	0,0891	250	-		5	18,4	20,1	0,1026	280	-	20	19,4			21,1	0,1188	300	-	30	20,1	21,8			0,1296		315	-	37	20,7	22,4			0,1377		355	-	57	22	23,7	0,1593		400		-	80	23,6	25,3	0,1836	560 x	450		-	105	25,3	28,3	0,2112	BFN	630 x		630	50		195	34	37	0,3477		BF			500	-	130	26,8	29,8	0,2332					550	10	155	28,5		31,5	0,2597		560	15	160	28,8	31,8		0,2650	600	35	180	30,2	33,2	0,2862	630	50	195	31,2		34,2	0,3021	650	60	205	31,9	34,9			0,3127	700	85	230	33,6	36,6	0,3392				710	90	235	33,9	36,9	0,3445				750	110	255	35,3	38,3	0,3657		800		135	280	37	40	0,3922	560 x	900		185	330	40,4	43,4	0,4452	BFN	800			135	280	39,1	42,1		0,4292		BFN		1000	235		380		43,9		46,9	0,4982		180		-		-	16	17,7	0,0648	200	-		-	16,7	18,4	0,0756	225	-	-	17,5	19,2	0,0891	250	-	5	18,4	20,1		0,1026	280	-	20	19,4	21,1	0,1188			300	-	30	20,1	21,8	0,1296				315	-	37	20,7	22,4	0,1377				355	-	57	22	23,7	0,1593			400	-	80	23,6	25,3	0,1836	560 x		450	-	105	25,3		28,3	0,2112	BFN	900		185		330		42,7	45,7	0,4872		BFN			500		-	130	26,8	29,8		0,2332			550	10	155	28,5	31,5		0,2597	560	15	160	28,8	31,8	0,2650	600	35	180	30,2	33,2	0,2862	630	50	195	31,2	34,2		0,3021	650	60	205	31,9	34,9	0,3127			700	85	230	33,6	36,6	0,3392				710	90	235	33,9	36,9	0,3445				750	110	255	35,3	38,3	0,3657			800	135	280	37	40	0,3922	560 x		900		185	330	40,4	43,4	0,4452	BFN		1000			235	380		46,3		49,3	0,5452		BFN			1000	235	380		41,5	44,5	0,4512			180	-	-	15,8	17,5	0,0636	200	-	-	16,5	18,2	0,0742	225	-	-	17,3	19	0,0875	250	-	5	18,2	19,9		0,1007	280	-	20	19,2	20,9	0,1166			300	-	30	19,9	21,6	0,1272				315	-	37	20,4	22,1	0,1352				355	-	57	21,8	23,5	0,1564			400	-	80	23,3		25	0,1802		560 x	450	-	105		25,3		28,3	0,2112	BFN	600 x				630	50	195		35,5		38,5	0,3712			BF	500	-	130	26,8		29,8	0,2332		550	10	155	28,5	31,5	0,2597	560	15	160	28,8	31,8	0,2650	600	35	180	30,2	33,2	0,2862	630	50	195	31,2		34,2	0,3021	650	60	205	31,9	34,9			0,3127	700	85	230	33,6	36,6	0,3392				710	90	235	33,9	36,9	0,3445				750	110	255	35,3	38,3	0,3657		800			135	280	37	40	0,3922	560 x			900		185	330	40,4	43,4		0,4452		BFN	600 x				630	50	195	37,7		40,7	0,4002		BF	1000		235	380	43,9	46,9	0,4982		180	-	-	15,8	17,5	0,0636	200	-	-	16,5	18,2	0,0742	225	-	-	17,3	19	0,0875	250	-	5	18,2		19,9	0,1007	280	-	20	19,2	20,9			0,1166	300	-	30	19,9	21,6	0,1272				315	-	37	20,4	22,1	0,1352				355	-	57		21,8	23,5		0,1564		400	-	80		23,3		25		0,1802	560 x	450		-		105	25,3	28,3	0,2112			BFN	630 x			630	50	195	39,1		42,1	0,4292		BFN	500	-	130	26,8	29,8	0,2332		550	10	155	28,5	31,5	0,2597	560	15	160	28,8	31,8	0,2650	600	35	180	30,2	33,2	0,2862	630	50	195	31,2		34,2	0,3021	650	60	205	31,9	34,9			0,3127	700	85	230	33,6	36,6	0,3392				710	90	235	33,9	36,9	0,3445					750	110	255	35,3	38,3		0,3657			800		135	280	37	40			0,3922		560 x	900		185	330		40,4	43,4		0,4452	BFN	800			135	280	40,3	43,3	0,4514	BFN		1000	235	380	43,9	46,9	0,4982		180	-	-	16	17,7	0,0648	200	-	-	16,7	18,4	0,0756	225	-	-	17,5	19,2	0,0891	250	-	5	18,4	20,1		0,1026	280	-	20	19,4	21,1	0,1188			300	-	30	20,1	21,8	0,1296				315	-	37	20,7	22,4	0,1377				355	-	57	22	23,7	0,1593			400	-	80	23,6	25,3	0,1836																																																																																																																																																																																																																																																																																																																																																																																																																																																																																																						
	700	85	230	33,6	36,6	0,3392			710	90	235	33,9	36,9	0,3445				750	110	255	35,3	38,3	0,3657				800	135	280	37	40	0,3922		560 x		900	185	330	40,4	43,4	0,4452		BFN		600 x	630	50	195	32,9	35,9		0,3306		BF	1000	235	380	43,9	46,9		0,4982			180	-		-		16	17,7	0,0648			200		-	-		16,7	18,4	0,0756		225	-	-		17,5	19,2	0,0891	250	-		5	18,4	20,1	0,1026	280	-		20	19,4	21,1	0,1188	300	-	30	20,1			21,8	0,1296	315	-	37	20,7	22,4			0,1377		355	-	57	22	23,7	0,1593		400		-	80	23,6	25,3	0,1836	560 x	450	-		105	25,3	28,3	0,2112	BFN		630 x	630	50	195	34	37	0,3477		BF		500	-		130	26,8	29,8	0,2332					550	10	155	28,5	31,5	0,2597					560	15	160	28,8		31,8	0,2650		600	35	180	30,2	33,2		0,2862	630	50	195	31,2	34,2	0,3021	650	60	205	31,9		34,9	0,3127	700	85	230	33,6	36,6			0,3392	710	90	235	33,9	36,9	0,3445				750	110	255	35,3	38,3	0,3657		800		135	280	37	40	0,3922	560 x	900	185		330	40,4	43,4	0,4452	BFN		800	135	280	39,1	42,1	0,4292	BFN		1000			235	380	43,9	46,9		0,4982				180	-		-		16		17,7	0,0648		200		-		-	16,7	18,4	0,0756	225	-		-	17,5	19,2	0,0891	250	-	5	18,4	20,1	0,1026	280	-	20	19,4	21,1		0,1188	300	-	30	20,1	21,8	0,1296			315	-	37	20,7	22,4	0,1377				355	-	57	22	23,7	0,1593			400	-	80	23,6	25,3	0,1836	560 x		450	-	105	25,3	28,3	0,2112	BFN		900	185	330	42,7	45,7		0,4872	BFN		500		-		130		26,8	29,8	0,2332					550		10	155	28,5	31,5		0,2597			560	15	160	28,8	31,8		0,2650	600	35	180	30,2	33,2	0,2862	630	50	195	31,2	34,2	0,3021	650	60	205	31,9	34,9		0,3127	700	85	230	33,6	36,6	0,3392			710	90	235	33,9	36,9	0,3445				750	110	255	35,3	38,3	0,3657			800	135	280	37	40	0,3922	560 x		900	185	330	40,4	43,4	0,4452	BFN		1000	235		380	46,3	49,3	0,5452	BFN			1000			235	380		41,5		44,5	0,4512					180	-	-		15,8	17,5	0,0636			200	-	-	16,5	18,2	0,0742	225	-	-	17,3	19	0,0875	250	-	5	18,2	19,9	0,1007	280	-	20	19,2	20,9		0,1166	300	-	30	19,9	21,6	0,1272			315	-	37	20,4	22,1	0,1352				355	-	57	21,8	23,5	0,1564			400	-	80	23,3	25	0,1802	560 x		450	-	105	25,3	28,3		0,2112	BFN	600 x		630	50	195		35,5		38,5	0,3712		BF				500	-	130		26,8		29,8	0,2332				550	10	155	28,5		31,5	0,2597		560	15	160	28,8	31,8	0,2650	600	35	180	30,2	33,2	0,2862	630	50	195	31,2	34,2	0,3021	650	60	205	31,9		34,9	0,3127	700	85	230	33,6	36,6			0,3392	710	90	235	33,9	36,9	0,3445				750	110	255	35,3	38,3	0,3657		800		135	280	37	40	0,3922	560 x	900	185			330	40,4	43,4	0,4452	BFN		600 x		630		50	195	37,7	40,7		0,4002			BF				1000	235	380	43,9		46,9	0,4982			180		-	-	15,8	17,5	0,0636		200	-	-	16,5	18,2	0,0742	225	-	-	17,3	19	0,0875	250	-	5	18,2	19,9	0,1007	280	-	20	19,2		20,9	0,1166	300	-	30	19,9	21,6			0,1272	315	-	37	20,4	22,1	0,1352				355	-	57	21,8	23,5	0,1564		400		-	80	23,3		25	0,1802	560 x	450		-	105	25,3		28,3		0,2112	BFN	630 x		630		50		195	39,1	42,1	0,4292				BFN			500	-	130	26,8		29,8	0,2332			550	10	155	28,5	31,5	0,2597		560	15	160	28,8	31,8	0,2650	600	35	180	30,2	33,2	0,2862	630	50	195	31,2	34,2	0,3021	650	60	205	31,9		34,9	0,3127	700	85	230	33,6	36,6			0,3392	710	90	235	33,9	36,9	0,3445				750	110	255	35,3	38,3	0,3657		800			135	280	37	40	0,3922	560 x	900			185		330	40,4	43,4	0,4452	BFN		800			135		280	40,3		43,3	0,4514		BFN		1000			235	380	43,9	46,9	0,4982			180	-	-	16	17,7	0,0648		200	-	-	16,7	18,4	0,0756	225	-	-	17,5	19,2	0,0891	250	-	5	18,4	20,1	0,1026	280	-	20	19,4	21,1		0,1188	300	-	30	20,1	21,8	0,1296			315	-	37	20,7	22,4	0,1377				355	-	57	22	23,7	0,1593			400	-	80	23,6	25,3	0,1836																																																																																																																																																																																																																																																																																																																																																																																																																																																																																																															
	710	90	235	33,9	36,9	0,3445			750	110	255	35,3	38,3	0,3657				800	135	280	37	40	0,3922		560 x		900	185	330	40,4	43,4	0,4452	BFN			600 x	630	50	195	32,9	35,9			0,3306	BF	1000	235	380	43,9	46,9		0,4982			180	-	-	16	17,7		0,0648			200	-		-		16,7	18,4	0,0756			225		-	-		17,5	19,2	0,0891		250	-	5		18,4	20,1	0,1026	280	-		20	19,4	21,1	0,1188	300	-		30	20,1	21,8	0,1296	315	-	37	20,7			22,4	0,1377	355	-	57	22	23,7	0,1593		400		-	80	23,6	25,3	0,1836	560 x	450	-		105	25,3	28,3	0,2112	BFN		630 x	630	50	195	34	37	0,3477			BF	500	-	130	26,8	29,8	0,2332				550	10		155	28,5	31,5	0,2597					560	15	160	28,8	31,8	0,2650					600	35	180	30,2		33,2	0,2862		630	50	195	31,2	34,2		0,3021	650	60	205	31,9	34,9	0,3127	700	85	230	33,6		36,6	0,3392	710	90	235	33,9	36,9			0,3445	750	110	255	35,3	38,3	0,3657		800		135	280	37	40	0,3922	560 x	900	185		330	40,4	43,4	0,4452	BFN		800	135	280	39,1	42,1	0,4292	BFN			1000	235	380	43,9	46,9	0,4982			180			-	-	16	17,7		0,0648				200	-		-		16,7		18,4	0,0756		225		-		-	17,5	19,2	0,0891	250	-		5	18,4	20,1	0,1026	280	-	20	19,4	21,1	0,1188	300	-	30	20,1	21,8		0,1296	315	-	37	20,7	22,4	0,1377			355	-	57	22	23,7	0,1593			400	-	80	23,6	25,3	0,1836	560 x		450	-	105	25,3	28,3	0,2112	BFN		900	185	330	42,7	45,7	0,4872	BFN			500	-	130	26,8	29,8		0,2332			550		10		155		28,5	31,5	0,2597					560		15	160	28,8	31,8		0,2650			600	35	180	30,2	33,2		0,2862	630	50	195	31,2	34,2	0,3021	650	60	205	31,9	34,9	0,3127	700	85	230	33,6	36,6		0,3392	710	90	235	33,9	36,9	0,3445			750	110	255	35,3	38,3	0,3657			800	135	280	37	40	0,3922	560 x		900	185	330	40,4	43,4	0,4452	BFN		1000	235	380	46,3	49,3	0,5452	BFN			1000	235		380	41,5	44,5	0,4512				180			-	-		15,8		17,5	0,0636					200	-	-		16,5	18,2	0,0742			225	-	-	17,3	19	0,0875	250	-	5	18,2	19,9	0,1007	280	-	20	19,2	20,9	0,1166	300	-	30	19,9	21,6		0,1272	315	-	37	20,4	22,1	0,1352			355	-	57	21,8	23,5	0,1564			400	-	80	23,3	25	0,1802	560 x		450	-	105	25,3	28,3	0,2112	BFN		600 x	630	50	195	35,5	38,5		0,3712		BF		500	-	130		26,8		29,8	0,2332						550	10	155		28,5		31,5	0,2597				560	15	160	28,8		31,8	0,2650		600	35	180	30,2	33,2	0,2862	630	50	195	31,2	34,2	0,3021	650	60	205	31,9	34,9	0,3127	700	85	230	33,6		36,6	0,3392	710	90	235	33,9	36,9			0,3445	750	110	255	35,3	38,3	0,3657		800		135	280	37	40	0,3922	560 x	900	185		330	40,4	43,4	0,4452	BFN		600 x	630	50		195	37,7	40,7	0,4002			BF		1000		235	380	43,9	46,9		0,4982							180	-	-	15,8		17,5	0,0636			200		-	-	16,5	18,2	0,0742		225	-	-	17,3	19	0,0875	250	-	5	18,2	19,9	0,1007	280	-	20	19,2	20,9	0,1166	300	-	30	19,9		21,6	0,1272	315	-	37	20,4	22,1			0,1352	355	-	57	21,8	23,5	0,1564		400		-	80	23,3	25	0,1802	560 x	450	-		105	25,3	28,3		0,2112	BFN		630 x	630	50	195	39,1		42,1		0,4292		BFN		500		-		130	26,8	29,8	0,2332							550	10	155	28,5		31,5	0,2597			560	15	160	28,8	31,8	0,2650		600	35	180	30,2	33,2	0,2862	630	50	195	31,2	34,2	0,3021	650	60	205	31,9	34,9	0,3127	700	85	230	33,6		36,6	0,3392	710	90	235	33,9	36,9			0,3445	750	110	255	35,3	38,3	0,3657		800		135	280	37	40	0,3922	560 x	900	185			330	40,4	43,4	0,4452	BFN		800	135		280		40,3	43,3	0,4514	BFN			1000			235		380	43,9		46,9	0,4982				180			-	-	16	17,7	0,0648			200	-	-	16,7	18,4	0,0756		225	-	-	17,5	19,2	0,0891	250	-	5	18,4	20,1	0,1026	280	-	20	19,4	21,1	0,1188	300	-	30	20,1	21,8		0,1296	315	-	37	20,7	22,4	0,1377			355	-	57	22	23,7	0,1593			400	-	80	23,6	25,3	0,1836																																																																																																																																																																																																																																																																																																																																																																																																																																																																																																																								
	750	110	255	35,3	38,3	0,3657			800	135	280	37	40	0,3922	560 x			900	185	330	40,4	43,4	0,4452	BFN			600 x	630	50	195	32,9	35,9			0,3306	BF	1000	235	380	43,9	46,9			0,4982		180	-	-	16	17,7		0,0648			200	-	-	16,7	18,4		0,0756			225	-		-		17,5	19,2	0,0891			250		-	5		18,4	20,1	0,1026		280	-	20		19,4	21,1	0,1188	300	-		30	20,1	21,8	0,1296	315	-		37	20,7	22,4	0,1377	355	-	57	22	23,7		0,1593	400	-	80	23,6	25,3	0,1836	560 x	450	-		105	25,3	28,3	0,2112	BFN		630 x	630	50	195	34	37	0,3477			BF	500	-	130	26,8	29,8	0,2332				550	10	155	28,5	31,5	0,2597				560	15		160	28,8	31,8	0,2650					600	35	180	30,2	33,2	0,2862					630	50	195	31,2		34,2	0,3021		650	60	205	31,9	34,9		0,3127	700	85	230	33,6	36,6	0,3392	710	90	235	33,9		36,9	0,3445	750	110	255	35,3	38,3		0,3657	800	135	280	37	40	0,3922	560 x	900	185		330	40,4	43,4	0,4452	BFN		800	135	280	39,1	42,1	0,4292	BFN			1000	235	380	43,9	46,9	0,4982				180	-	-	16	17,7	0,0648			200			-	-	16,7	18,4		0,0756				225	-		-		17,5		19,2	0,0891		250		-		5	18,4	20,1	0,1026	280	-		20	19,4	21,1	0,1188	300	-	30	20,1	21,8	0,1296	315	-	37	20,7	22,4		0,1377	355	-	57	22	23,7	0,1593		400	-	80	23,6	25,3	0,1836	560 x		450	-	105	25,3	28,3	0,2112	BFN		900	185	330	42,7	45,7	0,4872	BFN			500	-	130	26,8	29,8	0,2332				550	10	155	28,5	31,5		0,2597			560		15		160		28,8	31,8	0,2650					600		35	180	30,2	33,2		0,2862			630	50	195	31,2	34,2		0,3021	650	60	205	31,9	34,9	0,3127	700	85	230	33,6	36,6	0,3392	710	90	235	33,9	36,9		0,3445	750	110	255	35,3	38,3	0,3657		800	135	280	37	40	0,3922	560 x		900	185	330	40,4	43,4	0,4452	BFN		1000	235	380	46,3	49,3	0,5452	BFN			1000	235	380	41,5	44,5	0,4512				180	-		-	15,8	17,5	0,0636				200			-	-		16,5		18,2	0,0742					225	-	-		17,3	19	0,0875			250	-	5	18,2	19,9	0,1007	280	-	20	19,2	20,9	0,1166	300	-	30	19,9	21,6	0,1272	315	-	37	20,4	22,1		0,1352	355	-	57	21,8	23,5	0,1564		400	-	80	23,3	25	0,1802	560 x		450	-	105	25,3	28,3	0,2112	BFN		600 x	630	50	195	35,5	38,5	0,3712			BF	500	-	130	26,8	29,8		0,2332				550	10	155		28,5		31,5	0,2597						560	15	160		28,8		31,8	0,2650				600	35	180	30,2		33,2	0,2862		630	50	195	31,2	34,2	0,3021	650	60	205	31,9	34,9	0,3127	700	85	230	33,6	36,6	0,3392	710	90	235	33,9		36,9	0,3445	750	110	255	35,3	38,3		0,3657	800	135	280	37	40	0,3922	560 x	900	185		330	40,4	43,4	0,4452	BFN		600 x	630	50	195	37,7	40,7	0,4002			BF	1000	235		380	43,9	46,9	0,4982					180		-	-	15,8	17,5		0,0636							200	-	-	16,5		18,2	0,0742			225		-	-	17,3	19	0,0875		250	-	5	18,2	19,9	0,1007	280	-	20	19,2	20,9	0,1166	300	-	30	19,9	21,6	0,1272	315	-	37	20,4		22,1	0,1352	355	-	57	21,8	23,5		0,1564	400	-	80	23,3	25	0,1802	560 x	450	-		105	25,3	28,3	0,2112	BFN		630 x	630	50	195	39,1	42,1		0,4292			BFN	500	-	130	26,8		29,8		0,2332				550		10		155	28,5	31,5	0,2597							560	15	160	28,8		31,8	0,2650			600	35	180	30,2	33,2	0,2862		630	50	195	31,2	34,2	0,3021	650	60	205	31,9	34,9	0,3127	700	85	230	33,6	36,6	0,3392	710	90	235	33,9		36,9	0,3445	750	110	255	35,3	38,3		0,3657	800	135	280	37	40	0,3922	560 x	900	185		330	40,4	43,4	0,4452	BFN		800	135	280		40,3	43,3	0,4514	BFN			1000	235		380		43,9	46,9	0,4982				180			-		-	16		17,7	0,0648				200			-	-	16,7	18,4	0,0756			225	-	-	17,5	19,2	0,0891		250	-	5	18,4	20,1	0,1026	280	-	20	19,4	21,1	0,1188	300	-	30	20,1	21,8	0,1296	315	-	37	20,7	22,4		0,1377	355	-	57	22	23,7	0,1593		400	-	80	23,6	25,3	0,1836																																																																																																																																																																																																																																																																																																																																																																																																																																																																																																																																	
	800	135	280	37	40	0,3922		560 x	900	185	330	40,4	43,4	0,4452		BFN		600 x	630	50	195	32,9	35,9			0,3306	BF	1000	235	380	43,9	46,9			0,4982		180	-	-	16	17,7			0,0648		200	-	-	16,7	18,4		0,0756			225	-	-	17,5	19,2		0,0891			250	-		5		18,4	20,1	0,1026			280		-	20		19,4	21,1	0,1188		300	-	30		20,1	21,8	0,1296	315	-		37	20,7	22,4	0,1377	355	-	57	22	23,7	0,1593	400	-	80	23,6	25,3	0,1836	560 x	450	-	105	25,3	28,3	0,2112	BFN		630 x	630	50	195	34	37	0,3477			BF	500	-	130	26,8	29,8	0,2332				550	10	155	28,5	31,5	0,2597				560	15	160	28,8	31,8	0,2650				600	35		180	30,2	33,2	0,2862					630	50	195	31,2	34,2	0,3021					650	60	205	31,9		34,9	0,3127		700	85	230	33,6	36,6		0,3392	710	90	235	33,9	36,9	0,3445	750	110	255	35,3	38,3	0,3657	800	135	280	37	40	0,3922	560 x	900	185	330	40,4	43,4	0,4452	BFN		800	135	280	39,1	42,1	0,4292	BFN			1000	235	380	43,9	46,9	0,4982				180	-	-	16	17,7	0,0648				200	-	-	16,7	18,4	0,0756			225			-	-	17,5	19,2		0,0891				250	-		5		18,4		20,1	0,1026		280		-		20	19,4	21,1	0,1188	300	-		30	20,1	21,8	0,1296	315	-	37	20,7	22,4	0,1377	355	-	57	22	23,7	0,1593	400	-	80	23,6	25,3	0,1836	560 x	450	-	105	25,3	28,3	0,2112	BFN		900	185	330	42,7	45,7	0,4872	BFN			500	-	130	26,8	29,8	0,2332				550	10	155	28,5	31,5	0,2597				560	15	160	28,8	31,8		0,2650			600		35		180		30,2	33,2	0,2862					630		50	195	31,2	34,2		0,3021			650	60	205	31,9	34,9		0,3127	700	85	230	33,6	36,6	0,3392	710	90	235	33,9	36,9	0,3445	750	110	255	35,3	38,3	0,3657	800	135	280	37	40	0,3922	560 x	900	185	330	40,4	43,4	0,4452	BFN		1000	235	380	46,3	49,3	0,5452	BFN			1000	235	380	41,5	44,5	0,4512				180	-	-	15,8	17,5	0,0636				200	-		-	16,5	18,2	0,0742				225			-	-		17,3		19	0,0875					250	-	5		18,2	19,9	0,1007			280	-	20	19,2	20,9	0,1166	300	-	30	19,9	21,6	0,1272	315	-	37	20,4	22,1	0,1352	355	-	57	21,8	23,5	0,1564	400	-	80	23,3	25	0,1802	560 x	450	-	105	25,3	28,3	0,2112	BFN		600 x	630	50	195	35,5	38,5	0,3712			BF	500	-	130	26,8	29,8	0,2332				550	10	155	28,5	31,5		0,2597				560	15	160		28,8		31,8	0,2650						600	35	180		30,2		33,2	0,2862				630	50	195	31,2		34,2	0,3021		650	60	205	31,9	34,9	0,3127	700	85	230	33,6	36,6	0,3392	710	90	235	33,9	36,9	0,3445	750	110	255	35,3	38,3	0,3657	800	135	280	37	40	0,3922	560 x	900	185	330	40,4	43,4	0,4452	BFN		600 x	630	50	195	37,7	40,7	0,4002			BF	1000	235	380	43,9	46,9	0,4982				180	-		-	15,8	17,5	0,0636					200		-	-	16,5	18,2		0,0742							225	-	-	17,3		19	0,0875			250		-	5	18,2	19,9	0,1007		280	-	20	19,2	20,9	0,1166	300	-	30	19,9	21,6	0,1272	315	-	37	20,4	22,1	0,1352	355	-	57	21,8	23,5	0,1564	400	-	80	23,3	25	0,1802	560 x	450	-	105	25,3	28,3	0,2112	BFN		630 x	630	50	195	39,1	42,1	0,4292			BFN	500	-	130	26,8	29,8		0,2332				550	10	155	28,5		31,5		0,2597				560		15		160	28,8	31,8	0,2650							600	35	180	30,2		33,2	0,2862			630	50	195	31,2	34,2	0,3021		650	60	205	31,9	34,9	0,3127	700	85	230	33,6	36,6	0,3392	710	90	235	33,9	36,9	0,3445	750	110	255	35,3	38,3	0,3657	800	135	280	37	40	0,3922	560 x	900	185	330	40,4	43,4	0,4452	BFN		800	135	280	40,3	43,3	0,4514	BFN			1000	235	380		43,9	46,9	0,4982				180	-		-		16	17,7	0,0648				200			-		-	16,7		18,4	0,0756				225			-	-	17,5	19,2	0,0891			250	-	5	18,4	20,1	0,1026		280	-	20	19,4	21,1	0,1188	300	-	30	20,1	21,8	0,1296	315	-	37	20,7	22,4	0,1377	355	-	57	22	23,7	0,1593	400	-	80	23,6	25,3	0,1836																																																																																																																																																																																																																																																																																																																																																																																																																																																																																																																																									
560 x	900	185	330	40,4	43,4	0,4452	BFN		600 x	630	50	195	32,9	35,9			0,3306	BF																																																																																																																																																																																																																																																																																																																																																																																																																																																																																																																																																																																																																																																																																																																																																																																																																																																																																																																																																																																																																																																																																																																																																																																																																																																																																																																																																																																																																																																															
	1000	235	380	43,9	46,9	0,4982			180	-	-	16	17,7	0,0648			200		-	-	16,7	18,4	0,0756			225		-	-	17,5	19,2	0,0891			250		-	5	18,4	20,1	0,1026			280		-	20	19,4	21,1	0,1188		300			-	30	20,1	21,8	0,1296		315			-	37		20,7		22,4	0,1377	355		-	57		22	23,7		0,1593	400	-	80	23,6	25,3	0,1836		560 x	450	-	105	25,3	28,3	0,2112	BFN	630 x	630	50	195	34	37	0,3477	BF	500	-	130	26,8	29,8	0,2332		550	10	155	28,5	31,5	0,2597			560	15	160	28,8	31,8	0,2650	600				35	180	30,2	33,2	0,2862	630				50	195	31,2	34,2	0,3021	650				60	205	31,9	34,9	0,3127	700				85	230		33,6	36,6	0,3392	710					90	235	33,9	36,9	0,3445	750	110				255	35,3	38,3	0,3657	800	135	280		37	40	0,3922	560 x	900	185	330	40,4	43,4	0,4452	BFN	800	135	280	39,1	42,1	0,4292	BFN	1000	235	380	43,9	46,9	0,4982	180		-	-	16	17,7	0,0648	200			-	-	16,7	18,4	0,0756	225				-	-	17,5	19,2	0,0891	250				-	5	18,4	20,1	0,1026	280				-	20	19,4	21,1	0,1188	300			-			30	20,1	21,8	0,1296		315				-	37	20,7	22,4		0,1377		355	-		57	22	23,7		0,1593	400	-	80	23,6	25,3	0,1836	560 x	450	-	105	25,3	28,3	0,2112	BFN	900	185	330	42,7	45,7	0,4872	BFN	500	-	130	26,8	29,8	0,2332	550		10	155	28,5	31,5	0,2597	560			15	160	28,8	31,8	0,2650	600				35	180	30,2	33,2	0,2862	630				50	195	31,2	34,2	0,3021	650				60	205	31,9	34,9	0,3127		700			85		230		33,6		36,6	0,3392	710	90				235		33,9	36,9	0,3445	750	110	255			35,3	38,3	0,3657	800	135	280	37	40	0,3922	560 x	900	185	330	40,4	43,4	0,4452	BFN	1000	235	380	46,3	49,3	0,5452	BFN	1000	235	380	41,5	44,5	0,4512	180		-	-	15,8	17,5	0,0636	200			-	-	16,5	18,2	0,0742	225				-	-	17,3	19	0,0875	250				-	5	18,2	19,9	0,1007	280				-	20		19,2	20,9	0,1166	300				-			30	19,9	21,6	0,1272		315	-				37	20,4	22,1	0,1352		355	-	57		21,8	23,5	0,1564	400	-	80	23,3	25	0,1802	560 x	450	-	105	25,3	28,3	0,2112	BFN	600 x	630	50	195	35,5	38,5	0,3712	BF	500	-	130	26,8	29,8	0,2332		550	10	155	28,5	31,5	0,2597			560	15	160	28,8	31,8	0,2650	600				35	180	30,2	33,2	0,2862	630				50	195	31,2	34,2	0,3021		650				60	205	31,9		34,9		0,3127	700			85			230	33,6	36,6		0,3392	710	90	235				33,9	36,9	0,3445	750	110	255	35,3		38,3	0,3657	800	135	280	37	40	0,3922	560 x	900	185	330	40,4	43,4	0,4452	BFN	600 x	630	50	195	37,7	40,7	0,4002	BF	1000	235	380	43,9	46,9	0,4982		180	-	-	15,8	17,5	0,0636			200	-	-	16,5	18,2	0,0742	225				-	-	17,3	19	0,0875	250				-	5		18,2	19,9	0,1007	280					-		20	19,2	20,9	0,1166	300	-						30	19,9	21,6	0,1272	315		-	37			20,4	22,1	0,1352	355	-	57	21,8		23,5	0,1564	400	-	80	23,3	25	0,1802	560 x	450	-	105	25,3	28,3	0,2112	BFN	630 x	630	50	195	39,1	42,1	0,4292	BFN	500	-	130	26,8	29,8	0,2332		550	10	155	28,5	31,5	0,2597			560	15	160	28,8	31,8	0,2650	600				35	180	30,2	33,2	0,2862		630				50	195	31,2	34,2		0,3021		650				60	205	31,9		34,9	0,3127	700	85		230					33,6	36,6	0,3392	710	90	235	33,9			36,9	0,3445	750	110	255	35,3		38,3	0,3657	800	135	280	37	40	0,3922	560 x	900	185	330	40,4	43,4	0,4452	BFN	800	135	280	40,3	43,3	0,4514	BFN	1000	235	380	43,9	46,9	0,4982	180		-	-	16	17,7	0,0648	200			-	-	16,7	18,4	0,0756	225				-	-	17,5		19,2	0,0891	250				-	5		18,4		20,1	0,1026	280			-	20			19,4		21,1	0,1188	300	-	30				20,1	21,8		0,1296	315	-	37	20,7			22,4	0,1377	355	-	57	22		23,7	0,1593	400	-	80	23,6	25,3	0,1836																																																																																																																																																																																																																																																																																																																																																																																																																																																																																																																																																															
	180	-	-	16	17,7	0,0648			200	-	-	16,7	18,4	0,0756			225		-	-	17,5	19,2	0,0891			250		-	5	18,4	20,1	0,1026			280		-	20	19,4	21,1	0,1188			300		-	30	20,1	21,8	0,1296		315			-	37	20,7	22,4	0,1377		355			-	57	22	23,7		0,1593	400	-		80	23,6	25,3	0,1836	560 x		450	-	105	25,3	28,3	0,2112	BFN	630 x		630	50	195	34	37	0,3477		BF	500	-	130	26,8	29,8	0,2332		550	10	155	28,5	31,5	0,2597		560	15	160	28,8	31,8	0,2650			600	35	180	30,2	33,2	0,2862	630				50	195	31,2	34,2	0,3021	650				60	205	31,9	34,9	0,3127	700				85	230	33,6	36,6	0,3392	710				90	235		33,9	36,9	0,3445	750			110		255	35,3	38,3	0,3657	800	135	280	37			40	0,3922	560 x	900	185	330	40,4	43,4	0,4452	BFN	800		135	280	39,1	42,1	0,4292	BFN		1000	235	380	43,9	46,9	0,4982		180	-	-	16	17,7	0,0648	200		-	-	16,7	18,4	0,0756	225			-	-	17,5	19,2	0,0891	250				-	5	18,4	20,1	0,1026	280				-	20	19,4	21,1	0,1188	300				-	30	20,1	21,8	0,1296	315			-			37	20,7	22,4	0,1377	355	-				57	22	23,7	0,1593	400	-		80	23,6		25,3	0,1836	560 x	450	-	105	25,3	28,3	0,2112	BFN	900		185	330	42,7	45,7	0,4872	BFN		500	-	130	26,8	29,8	0,2332		550	10	155	28,5	31,5	0,2597	560		15	160	28,8	31,8	0,2650	600			35	180	30,2	33,2	0,2862	630				50	195	31,2	34,2	0,3021	650				60	205	31,9	34,9	0,3127	700				85	230	33,6	36,6	0,3392		710			90		235	33,9	36,9		0,3445	750	110	255			35,3	38,3		0,3657	800	135	280	37	40	0,3922		560 x	900	185	330	40,4	43,4	0,4452	BFN	1000		235	380	46,3	49,3	0,5452	BFN		1000	235	380	41,5	44,5	0,4512		180	-	-	15,8	17,5	0,0636	200		-	-	16,5	18,2	0,0742	225			-	-	17,3	19	0,0875	250				-	5	18,2	19,9	0,1007	280				-	20	19,2	20,9	0,1166	300				-	30		19,9	21,6	0,1272	315			-	37			20,4	22,1	0,1352	355	-	57	21,8				23,5	0,1564	400	-	80	23,3	25	0,1802		560 x	450	-	105	25,3	28,3	0,2112	BFN	600 x		630	50	195	35,5	38,5	0,3712		BF	500	-	130	26,8	29,8	0,2332		550	10	155	28,5	31,5	0,2597		560	15	160	28,8	31,8	0,2650			600	35	180	30,2	33,2	0,2862	630				50	195	31,2	34,2	0,3021	650				60	205	31,9	34,9	0,3127		700				85	230	33,6	36,6	0,3392		710	90			235		33,9	36,9	0,3445	750		110	255	35,3	38,3		0,3657		800	135	280	37	40	0,3922	560 x		900	185	330	40,4	43,4	0,4452	BFN	600 x		630	50	195	37,7	40,7	0,4002		BF	1000	235	380	43,9	46,9	0,4982		180	-	-	15,8	17,5	0,0636		200	-	-	16,5	18,2	0,0742			225	-	-	17,3	19	0,0875	250				-	5	18,2	19,9	0,1007	280				-	20		19,2	20,9	0,1166	300				-	30		19,9	21,6	0,1272	315	-	37	20,4					22,1	0,1352	355	-	57	21,8	23,5	0,1564			400	-	80	23,3	25	0,1802	560 x		450	-	105	25,3	28,3	0,2112	BFN	630 x		630	50	195	39,1	42,1	0,4292		BFN	500	-	130	26,8	29,8	0,2332		550	10	155	28,5	31,5	0,2597		560	15	160	28,8	31,8	0,2650			600	35	180	30,2	33,2	0,2862	630				50	195	31,2	34,2	0,3021		650				60	205	31,9	34,9	0,3127	700		85				230	33,6	36,6	0,3392	710	90	235	33,9		36,9				0,3445	750	110	255	35,3	38,3	0,3657	800			135	280	37	40	0,3922	560 x		900	185	330	40,4	43,4	0,4452	BFN	800		135	280	40,3	43,3	0,4514	BFN		1000	235	380	43,9	46,9	0,4982		180	-	-	16	17,7	0,0648	200		-	-	16,7	18,4	0,0756	225			-	-	17,5	19,2	0,0891	250				-	5	18,4		20,1	0,1026	280				-	20	19,4	21,1		0,1188	300	-			30	20,1	21,8		0,1296		315	-	37	20,7	22,4	0,1377			355	-		57	22	23,7	0,1593	400			-	80	23,6	25,3	0,1836																																																																																																																																																																																																																																																																																																																																																																																																																																																																																																																																																																									
	200	-	-	16,7	18,4	0,0756			225	-	-	17,5	19,2	0,0891			250		-	5	18,4	20,1	0,1026			280		-	20	19,4	21,1	0,1188			300		-	30	20,1	21,8	0,1296			315		-	37	20,7	22,4	0,1377		355			-	57	22	23,7	0,1593	400	-			80	23,6	25,3	0,1836	560 x	450	-	105		25,3	28,3	0,2112	BFN		630 x	630	50	195	34	37	0,3477		BF		500	-	130	26,8	29,8	0,2332			550	10	155	28,5	31,5	0,2597		560	15	160	28,8	31,8	0,2650		600	35	180	30,2	33,2	0,2862			630	50	195	31,2	34,2	0,3021	650				60	205	31,9	34,9	0,3127	700				85	230	33,6	36,6	0,3392	710				90	235	33,9	36,9	0,3445	750				110	255	35,3	38,3	0,3657	800	135			280	37	40	0,3922	560 x	900	185	330	40,4	43,4		0,4452	BFN	800		135	280	39,1	42,1	0,4292	BFN		1000		235	380	43,9	46,9	0,4982			180	-	-	16	17,7	0,0648		200	-	-	16,7	18,4	0,0756	225		-	-	17,5	19,2	0,0891	250			-	5	18,4	20,1	0,1026	280				-	20	19,4	21,1	0,1188	300				-	30	20,1	21,8	0,1296	315				-	37	20,7	22,4	0,1377	355			-	57		22	23,7	0,1593	400	-	80	23,6			25,3	0,1836	560 x	450	-	105	25,3	28,3	0,2112		BFN	900		185	330	42,7	45,7	0,4872	BFN		500		-	130	26,8	29,8	0,2332			550	10	155	28,5	31,5	0,2597		560	15	160	28,8	31,8	0,2650	600		35	180	30,2	33,2	0,2862	630			50	195	31,2	34,2	0,3021	650				60	205	31,9	34,9	0,3127	700				85	230	33,6	36,6	0,3392	710				90	235	33,9	36,9	0,3445	750	110			255		35,3	38,3	0,3657	800	135	280	37	40			0,3922	560 x	900	185	330	40,4	43,4	0,4452	BFN	1000			235	380	46,3	49,3	0,5452	BFN		1000		235	380	41,5	44,5	0,4512			180	-	-	15,8	17,5	0,0636		200	-	-	16,5	18,2	0,0742	225		-	-	17,3	19	0,0875	250			-	5	18,2	19,9	0,1007	280				-	20	19,2	20,9	0,1166	300				-	30	19,9	21,6	0,1272	315				-	37	20,4	22,1	0,1352	355	-			57	21,8	23,5		0,1564	400	-	80	23,3	25	0,1802	560 x			450	-	105	25,3	28,3	0,2112	BFN	600 x			630	50	195	35,5	38,5	0,3712		BF		500	-	130	26,8	29,8	0,2332			550	10	155	28,5	31,5	0,2597		560	15	160	28,8	31,8	0,2650		600	35	180	30,2	33,2	0,2862			630	50	195	31,2	34,2	0,3021	650				60	205	31,9	34,9	0,3127	700				85	230	33,6	36,6	0,3392	710	90				235	33,9	36,9	0,3445	750	110	255	35,3			38,3		0,3657	800	135	280	37	40	0,3922	560 x	900		185		330	40,4	43,4	0,4452	BFN	600 x			630	50	195	37,7	40,7	0,4002		BF		1000	235	380	43,9	46,9	0,4982			180	-	-	15,8	17,5	0,0636		200	-	-	16,5	18,2	0,0742		225	-	-	17,3	19	0,0875			250	-	5	18,2	19,9	0,1007	280				-	20	19,2	20,9	0,1166	300				-	30	19,9	21,6	0,1272	315	-				37	20,4	22,1	0,1352	355	-	57	21,8	23,5	0,1564				400	-	80	23,3	25	0,1802	560 x	450	-			105	25,3	28,3	0,2112	BFN	630 x			630	50	195	39,1	42,1	0,4292		BFN		500	-	130	26,8	29,8	0,2332			550	10	155	28,5	31,5	0,2597		560	15	160	28,8	31,8	0,2650		600	35	180	30,2	33,2	0,2862			630	50	195	31,2	34,2	0,3021	650				60	205	31,9	34,9	0,3127	700	85				230	33,6	36,6	0,3392	710	90	235	33,9				36,9	0,3445	750	110	255	35,3	38,3	0,3657	800	135				280	37	40	0,3922	560 x	900	185	330			40,4	43,4	0,4452	BFN	800			135	280	40,3	43,3	0,4514	BFN		1000		235	380	43,9	46,9	0,4982			180	-	-	16	17,7	0,0648		200	-	-	16,7	18,4	0,0756	225		-	-	17,5	19,2	0,0891	250			-	5	18,4	20,1	0,1026	280				-	20	19,4	21,1	0,1188	300	-				30	20,1	21,8	0,1296	315	-	37	20,7			22,4	0,1377	355		-	57	22	23,7	0,1593	400	-	80			23,6	25,3		0,1836																																																																																																																																																																																																																																																																																																																																																																																																																																																																																																																																																																																				
	225	-	-	17,5	19,2	0,0891			250	-	5	18,4	20,1	0,1026			280		-	20	19,4	21,1	0,1188			300		-	30	20,1	21,8	0,1296			315		-	37	20,7	22,4	0,1377			355		-	57	22	23,7	0,1593		400	-		80	23,6	25,3	0,1836	560 x	450	-	105		25,3	28,3	0,2112	BFN		630 x	630	50	195	34	37	0,3477			BF	500	-	130	26,8	29,8	0,2332				550	10	155	28,5	31,5	0,2597			560	15	160	28,8	31,8	0,2650		600	35	180	30,2	33,2	0,2862		630	50	195	31,2	34,2	0,3021			650	60	205	31,9	34,9	0,3127	700				85	230	33,6	36,6	0,3392	710				90	235	33,9	36,9	0,3445	750				110	255	35,3	38,3	0,3657	800			135	280	37	40	0,3922	560 x	900	185	330		40,4	43,4	0,4452	BFN		800	135	280	39,1	42,1	0,4292	BFN		1000		235	380	43,9	46,9	0,4982			180		-	-	16	17,7	0,0648			200	-	-	16,7	18,4	0,0756		225	-	-	17,5	19,2	0,0891	250		-	5	18,4	20,1	0,1026	280			-	20	19,4	21,1	0,1188	300				-	30	20,1	21,8	0,1296	315				-	37	20,7	22,4	0,1377	355				-	57	22	23,7	0,1593	400			-	80	23,6	25,3	0,1836	560 x	450	-	105	25,3		28,3	0,2112	BFN		900	185	330	42,7	45,7	0,4872	BFN		500		-	130	26,8	29,8	0,2332			550		10	155	28,5	31,5	0,2597			560	15	160	28,8	31,8	0,2650		600	35	180	30,2	33,2	0,2862	630		50	195	31,2	34,2	0,3021	650			60	205	31,9	34,9	0,3127	700				85	230	33,6	36,6	0,3392	710				90	235	33,9	36,9	0,3445	750				110	255	35,3	38,3	0,3657	800	135			280	37	40	0,3922	560 x	900	185	330	40,4	43,4		0,4452	BFN		1000	235	380	46,3	49,3	0,5452		BFN	1000		235	380	41,5	44,5	0,4512			180		-	-	15,8	17,5	0,0636			200	-	-	16,5	18,2	0,0742		225	-	-	17,3	19	0,0875	250		-	5	18,2	19,9	0,1007	280			-	20	19,2	20,9	0,1166	300				-	30	19,9	21,6	0,1272	315				-	37	20,4	22,1	0,1352	355				-	57	21,8	23,5	0,1564	400	-			80	23,3	25	0,1802	560 x	450	-	105	25,3	28,3	0,2112			BFN	600 x	630	50	195	35,5	38,5		0,3712	BF		500	-	130	26,8	29,8	0,2332				550	10	155	28,5	31,5	0,2597			560	15	160	28,8	31,8	0,2650		600	35	180	30,2	33,2	0,2862		630	50	195	31,2	34,2	0,3021			650	60	205	31,9	34,9	0,3127	700				85	230	33,6	36,6	0,3392	710				90	235	33,9	36,9	0,3445	750	110				255	35,3	38,3	0,3657	800	135	280	37			40	0,3922	560 x	900	185	330	40,4	43,4	0,4452		BFN	600 x	630		50	195	37,7	40,7		0,4002		BF	1000	235	380	43,9	46,9	0,4982				180	-	-	15,8	17,5	0,0636			200	-	-	16,5	18,2	0,0742		225	-	-	17,3	19	0,0875		250	-	5	18,2	19,9	0,1007			280	-	20	19,2	20,9	0,1166	300				-	30	19,9	21,6	0,1272	315				-	37	20,4	22,1	0,1352	355	-				57	21,8	23,5	0,1564	400	-	80	23,3	25	0,1802			560 x	450	-	105	25,3	28,3	0,2112		BFN	630 x	630		50	195	39,1	42,1		0,4292		BFN	500	-	130	26,8	29,8	0,2332				550	10	155	28,5	31,5	0,2597			560	15	160	28,8	31,8	0,2650		600	35	180	30,2	33,2	0,2862		630	50	195	31,2	34,2	0,3021			650	60	205	31,9	34,9	0,3127	700				85	230	33,6	36,6	0,3392	710	90				235	33,9	36,9	0,3445	750	110	255	35,3				38,3	0,3657	800	135	280	37	40	0,3922	560 x	900			185	330	40,4	43,4	0,4452		BFN	800	135	280		40,3	43,3	0,4514		BFN		1000	235	380	43,9	46,9	0,4982			180		-	-	16	17,7	0,0648			200	-	-	16,7	18,4	0,0756		225	-	-	17,5	19,2	0,0891	250		-	5	18,4	20,1	0,1026	280			-	20	19,4	21,1	0,1188	300				-	30	20,1	21,8	0,1296	315	-				37	20,7	22,4	0,1377	355	-	57	22			23,7	0,1593	400		-	80	23,6	25,3	0,1836																																																																																																																																																																																																																																																																																																																																																																																																																																																																																																																																																																																													
	250	-	5	18,4	20,1	0,1026			280	-	20	19,4	21,1	0,1188			300		-	30	20,1	21,8	0,1296			315		-	37	20,7	22,4	0,1377			355		-	57	22	23,7	0,1593	400		-		80	23,6	25,3	0,1836	560 x	450	-	105		25,3	28,3	0,2112	BFN		630 x	630	50	195	34	37	0,3477			BF	500	-	130	26,8	29,8	0,2332				550	10	155	28,5	31,5	0,2597				560	15	160	28,8	31,8	0,2650			600	35	180	30,2	33,2	0,2862		630	50	195	31,2	34,2	0,3021		650	60	205	31,9	34,9	0,3127			700	85	230	33,6	36,6	0,3392	710				90	235	33,9	36,9	0,3445	750				110	255	35,3	38,3	0,3657	800		135		280	37	40	0,3922	560 x	900	185		330	40,4	43,4	0,4452	BFN		800	135	280	39,1	42,1	0,4292	BFN			1000	235	380	43,9	46,9	0,4982			180		-	-	16	17,7	0,0648			200		-	-	16,7	18,4	0,0756			225	-	-	17,5	19,2	0,0891		250	-	5	18,4	20,1	0,1026	280		-	20	19,4	21,1	0,1188	300			-	30	20,1	21,8	0,1296	315				-	37	20,7	22,4	0,1377	355				-	57	22	23,7	0,1593	400			-	80	23,6	25,3	0,1836	560 x	450		-	105	25,3	28,3	0,2112	BFN		900	185	330	42,7	45,7	0,4872	BFN			500	-	130	26,8	29,8	0,2332			550		10	155	28,5	31,5	0,2597			560		15	160	28,8	31,8	0,2650			600	35	180	30,2	33,2	0,2862		630	50	195	31,2	34,2	0,3021	650		60	205	31,9	34,9	0,3127	700			85	230	33,6	36,6	0,3392	710				90	235	33,9	36,9	0,3445	750				110	255	35,3	38,3	0,3657	800			135	280	37	40	0,3922	560 x	900	185		330	40,4	43,4	0,4452	BFN		1000	235	380	46,3	49,3	0,5452	BFN			1000	235	380	41,5	44,5	0,4512			180		-	-	15,8	17,5	0,0636			200		-	-	16,5	18,2	0,0742			225	-	-	17,3	19	0,0875		250	-	5	18,2	19,9	0,1007	280		-	20	19,2	20,9	0,1166	300			-	30	19,9	21,6	0,1272	315				-	37	20,4	22,1	0,1352	355				-	57	21,8	23,5	0,1564	400			-	80	23,3	25	0,1802	560 x	450	-		105	25,3	28,3	0,2112	BFN		600 x	630	50	195	35,5	38,5		0,3712		BF	500	-	130	26,8	29,8		0,2332			550	10	155	28,5	31,5	0,2597				560	15	160	28,8	31,8	0,2650			600	35	180	30,2	33,2	0,2862		630	50	195	31,2	34,2	0,3021		650	60	205	31,9	34,9	0,3127			700	85	230	33,6	36,6	0,3392	710				90	235	33,9	36,9	0,3445	750				110	255	35,3	38,3	0,3657	800	135			280	37	40	0,3922	560 x	900	185	330	40,4	43,4		0,4452	BFN		600 x	630	50	195	37,7	40,7			0,4002	BF	1000	235	380	43,9	46,9		0,4982			180	-	-	15,8	17,5	0,0636				200	-	-	16,5	18,2	0,0742			225	-	-	17,3	19	0,0875		250	-	5	18,2	19,9	0,1007		280	-	20	19,2	20,9	0,1166			300	-	30	19,9	21,6	0,1272	315				-	37	20,4	22,1	0,1352	355				-	57	21,8	23,5	0,1564	400	-		80		23,3	25	0,1802	560 x	450	-	105	25,3	28,3	0,2112	BFN			630 x	630	50	195	39,1	42,1			0,4292	BFN	500	-	130	26,8	29,8		0,2332			550	10	155	28,5	31,5	0,2597				560	15	160	28,8	31,8	0,2650			600	35	180	30,2	33,2	0,2862		630	50	195	31,2	34,2	0,3021		650	60	205	31,9	34,9	0,3127			700	85	230	33,6	36,6	0,3392	710				90	235	33,9	36,9	0,3445	750	110				255	35,3	38,3	0,3657	800	135	280	37			40	0,3922	560 x	900	185	330	40,4	43,4	0,4452		BFN	800		135	280	40,3	43,3	0,4514			BFN	1000	235	380	43,9	46,9	0,4982				180	-	-	16	17,7	0,0648			200		-	-	16,7	18,4	0,0756			225	-	-	17,5	19,2	0,0891		250	-	5	18,4	20,1	0,1026	280		-	20	19,4	21,1	0,1188	300			-	30	20,1	21,8	0,1296	315				-	37	20,7	22,4	0,1377	355	-				57	22	23,7	0,1593	400	-	80	23,6			25,3	0,1836																																																																																																																																																																																																																																																																																																																																																																																																																																																																																																																																																																																																				
	280	-	20	19,4	21,1	0,1188			300	-	30	20,1	21,8	0,1296			315		-	37	20,7	22,4	0,1377			355		-	57	22	23,7	0,1593		400	-		80	23,6	25,3	0,1836	560 x	450	-	105		25,3	28,3	0,2112	BFN		630 x	630	50	195	34	37	0,3477			BF	500	-	130	26,8	29,8	0,2332				550	10	155	28,5	31,5	0,2597				560	15	160	28,8	31,8	0,2650				600	35	180	30,2	33,2	0,2862			630	50	195	31,2	34,2	0,3021		650	60	205	31,9	34,9	0,3127		700	85	230	33,6	36,6	0,3392			710	90	235	33,9	36,9	0,3445	750				110	255	35,3	38,3	0,3657	800		135		280	37	40	0,3922	560 x	900	185	330		40,4	43,4	0,4452	BFN		800	135	280	39,1	42,1	0,4292	BFN			1000	235	380	43,9	46,9	0,4982				180	-	-	16	17,7	0,0648			200		-	-	16,7	18,4	0,0756			225		-	-	17,5	19,2	0,0891			250	-	5	18,4	20,1	0,1026		280	-	20	19,4	21,1	0,1188	300		-	30	20,1	21,8	0,1296	315			-	37	20,7	22,4	0,1377	355				-	57	22	23,7	0,1593	400			-	80	23,6	25,3	0,1836	560 x	450		-	105	25,3	28,3	0,2112	BFN		900	185	330	42,7	45,7	0,4872	BFN			500	-	130	26,8	29,8	0,2332				550	10	155	28,5	31,5	0,2597			560		15	160	28,8	31,8	0,2650			600		35	180	30,2	33,2	0,2862			630	50	195	31,2	34,2	0,3021		650	60	205	31,9	34,9	0,3127	700		85	230	33,6	36,6	0,3392	710			90	235	33,9	36,9	0,3445	750				110	255	35,3	38,3	0,3657	800			135	280	37	40	0,3922	560 x	900		185	330	40,4	43,4	0,4452	BFN		1000	235	380	46,3	49,3	0,5452	BFN			1000	235	380	41,5	44,5	0,4512				180	-	-	15,8	17,5	0,0636			200		-	-	16,5	18,2	0,0742			225		-	-	17,3	19	0,0875			250	-	5	18,2	19,9	0,1007		280	-	20	19,2	20,9	0,1166	300		-	30	19,9	21,6	0,1272	315			-	37	20,4	22,1	0,1352	355				-	57	21,8	23,5	0,1564	400			-	80	23,3	25	0,1802	560 x	450		-	105	25,3	28,3	0,2112	BFN		600 x	630	50	195	35,5	38,5	0,3712			BF	500	-	130	26,8	29,8		0,2332			550	10	155	28,5	31,5		0,2597			560	15	160	28,8	31,8	0,2650				600	35	180	30,2	33,2	0,2862			630	50	195	31,2	34,2	0,3021		650	60	205	31,9	34,9	0,3127		700	85	230	33,6	36,6	0,3392			710	90	235	33,9	36,9	0,3445	750				110	255	35,3	38,3	0,3657	800		135		280	37	40	0,3922	560 x	900	185	330		40,4	43,4	0,4452	BFN		600 x	630	50	195	37,7	40,7	0,4002			BF	1000	235	380	43,9	46,9			0,4982		180	-	-	15,8	17,5		0,0636			200	-	-	16,5	18,2	0,0742				225	-	-	17,3	19	0,0875			250	-	5	18,2	19,9	0,1007		280	-	20	19,2	20,9	0,1166		300	-	30	19,9	21,6	0,1272			315	-	37	20,4	22,1	0,1352	355				-	57	21,8	23,5	0,1564	400		-		80	23,3	25	0,1802	560 x	450	-	105	25,3		28,3	0,2112	BFN		630 x	630	50	195	39,1	42,1		0,4292		BFN	500	-	130	26,8	29,8			0,2332		550	10	155	28,5	31,5		0,2597			560	15	160	28,8	31,8	0,2650				600	35	180	30,2	33,2	0,2862			630	50	195	31,2	34,2	0,3021		650	60	205	31,9	34,9	0,3127		700	85	230	33,6	36,6	0,3392			710	90	235	33,9	36,9	0,3445	750				110	255	35,3	38,3	0,3657	800	135		280		37	40	0,3922	560 x	900	185	330	40,4	43,4		0,4452	BFN		800	135	280	40,3	43,3	0,4514			BFN	1000	235	380	43,9	46,9	0,4982				180	-	-	16	17,7	0,0648				200	-	-	16,7	18,4	0,0756			225		-	-	17,5	19,2	0,0891			250	-	5	18,4	20,1	0,1026		280	-	20	19,4	21,1	0,1188	300		-	30	20,1	21,8	0,1296	315			-	37	20,7	22,4	0,1377	355				-	57	22	23,7	0,1593	400	-			80	23,6	25,3	0,1836																																																																																																																																																																																																																																																																																																																																																																																																																																																																																																																																																																																																													
	300	-	30	20,1	21,8	0,1296			315	-	37	20,7	22,4	0,1377			355		-	57	22	23,7	0,1593		400	-		80	23,6	25,3	0,1836	560 x	450	-	105		25,3	28,3	0,2112	BFN		630 x	630	50	195	34	37	0,3477			BF	500	-	130	26,8	29,8	0,2332				550	10	155	28,5	31,5	0,2597				560	15	160	28,8	31,8	0,2650				600	35	180	30,2	33,2	0,2862				630	50	195	31,2	34,2	0,3021			650	60	205	31,9	34,9	0,3127		700	85	230	33,6	36,6	0,3392		710	90	235	33,9	36,9	0,3445			750	110	255	35,3	38,3	0,3657	800		135		280	37	40	0,3922	560 x	900	185	330		40,4	43,4	0,4452	BFN		800	135	280	39,1	42,1	0,4292	BFN			1000	235	380	43,9	46,9	0,4982				180	-	-	16	17,7	0,0648				200	-	-	16,7	18,4	0,0756			225		-	-	17,5	19,2	0,0891			250		-	5	18,4	20,1	0,1026			280	-	20	19,4	21,1	0,1188		300	-	30	20,1	21,8	0,1296	315		-	37	20,7	22,4	0,1377	355			-	57	22	23,7	0,1593	400			-	80	23,6	25,3	0,1836	560 x	450		-	105	25,3	28,3	0,2112	BFN		900	185	330	42,7	45,7	0,4872	BFN			500	-	130	26,8	29,8	0,2332				550	10	155	28,5	31,5	0,2597				560	15	160	28,8	31,8	0,2650			600		35	180	30,2	33,2	0,2862			630		50	195	31,2	34,2	0,3021			650	60	205	31,9	34,9	0,3127		700	85	230	33,6	36,6	0,3392	710		90	235	33,9	36,9	0,3445	750			110	255	35,3	38,3	0,3657	800			135	280	37	40	0,3922	560 x	900		185	330	40,4	43,4	0,4452	BFN		1000	235	380	46,3	49,3	0,5452	BFN			1000	235	380	41,5	44,5	0,4512				180	-	-	15,8	17,5	0,0636				200	-	-	16,5	18,2	0,0742			225		-	-	17,3	19	0,0875			250		-	5	18,2	19,9	0,1007			280	-	20	19,2	20,9	0,1166		300	-	30	19,9	21,6	0,1272	315		-	37	20,4	22,1	0,1352	355			-	57	21,8	23,5	0,1564	400			-	80	23,3	25	0,1802	560 x	450		-	105	25,3	28,3	0,2112	BFN		600 x	630	50	195	35,5	38,5	0,3712			BF	500	-	130	26,8	29,8	0,2332				550	10	155	28,5	31,5		0,2597			560	15	160	28,8	31,8		0,2650			600	35	180	30,2	33,2	0,2862				630	50	195	31,2	34,2	0,3021			650	60	205	31,9	34,9	0,3127		700	85	230	33,6	36,6	0,3392		710	90	235	33,9	36,9	0,3445			750	110	255	35,3	38,3	0,3657	800		135		280	37	40	0,3922	560 x	900	185	330		40,4	43,4	0,4452	BFN		600 x	630	50	195	37,7	40,7	0,4002			BF	1000	235	380	43,9	46,9	0,4982				180	-	-	15,8	17,5			0,0636		200	-	-	16,5	18,2		0,0742			225	-	-	17,3	19	0,0875				250	-	5	18,2	19,9	0,1007			280	-	20	19,2	20,9	0,1166		300	-	30	19,9	21,6	0,1272		315	-	37	20,4	22,1	0,1352			355	-	57	21,8	23,5	0,1564	400		-		80	23,3	25	0,1802	560 x	450	-	105		25,3	28,3	0,2112	BFN		630 x	630	50	195	39,1	42,1	0,4292			BFN	500	-	130	26,8	29,8		0,2332			550	10	155	28,5	31,5			0,2597		560	15	160	28,8	31,8		0,2650			600	35	180	30,2	33,2	0,2862				630	50	195	31,2	34,2	0,3021			650	60	205	31,9	34,9	0,3127		700	85	230	33,6	36,6	0,3392		710	90	235	33,9	36,9	0,3445			750	110	255	35,3	38,3	0,3657	800		135		280	37	40	0,3922	560 x	900	185	330	40,4		43,4	0,4452	BFN		800	135	280	40,3	43,3	0,4514	BFN			1000	235	380	43,9	46,9	0,4982				180	-	-	16	17,7	0,0648				200	-	-	16,7	18,4	0,0756				225	-	-	17,5	19,2	0,0891			250		-	5	18,4	20,1	0,1026			280	-	20	19,4	21,1	0,1188		300	-	30	20,1	21,8	0,1296	315		-	37	20,7	22,4	0,1377	355			-	57	22	23,7	0,1593	400			-	80	23,6	25,3	0,1836																																																																																																																																																																																																																																																																																																																																																																																																																																																																																																																																																																																																																						
	315	-	37	20,7	22,4	0,1377			355	-	57	22	23,7	0,1593	400		-		80	23,6	25,3	0,1836	560 x	450	-	105		25,3	28,3	0,2112	BFN		630 x	630	50	195	34	37	0,3477			BF	500	-	130	26,8	29,8	0,2332				550	10	155	28,5	31,5	0,2597				560	15	160	28,8	31,8	0,2650				600	35	180	30,2	33,2	0,2862				630	50	195	31,2	34,2	0,3021				650	60	205	31,9	34,9	0,3127			700	85	230	33,6	36,6	0,3392		710	90	235	33,9	36,9	0,3445		750	110	255	35,3	38,3	0,3657		800	135	280	37	40	0,3922	560 x	900	185	330		40,4	43,4	0,4452	BFN		800	135	280	39,1	42,1	0,4292	BFN			1000	235	380	43,9	46,9	0,4982				180	-	-	16	17,7	0,0648				200	-	-	16,7	18,4	0,0756				225	-	-	17,5	19,2	0,0891			250		-	5	18,4	20,1	0,1026			280		-	20	19,4	21,1	0,1188			300	-	30	20,1	21,8	0,1296		315	-	37	20,7	22,4	0,1377	355		-	57	22	23,7	0,1593	400		-	80	23,6	25,3	0,1836	560 x	450		-	105	25,3	28,3	0,2112	BFN		900	185	330	42,7	45,7	0,4872	BFN			500	-	130	26,8	29,8	0,2332				550	10	155	28,5	31,5	0,2597				560	15	160	28,8	31,8	0,2650				600	35	180	30,2	33,2	0,2862			630		50	195	31,2	34,2	0,3021			650		60	205	31,9	34,9	0,3127			700	85	230	33,6	36,6	0,3392		710	90	235	33,9	36,9	0,3445	750		110	255	35,3	38,3	0,3657	800		135	280	37	40	0,3922	560 x	900		185	330	40,4	43,4	0,4452	BFN		1000	235	380	46,3	49,3	0,5452	BFN			1000	235	380	41,5	44,5	0,4512				180	-	-	15,8	17,5	0,0636				200	-	-	16,5	18,2	0,0742				225	-	-	17,3	19	0,0875			250		-	5	18,2	19,9	0,1007			280		-	20	19,2	20,9	0,1166			300	-	30	19,9	21,6	0,1272		315	-	37	20,4	22,1	0,1352	355		-	57	21,8	23,5	0,1564	400		-	80	23,3	25	0,1802	560 x	450		-	105	25,3	28,3	0,2112	BFN		600 x	630	50	195	35,5	38,5	0,3712			BF	500	-	130	26,8	29,8	0,2332				550	10	155	28,5	31,5	0,2597				560	15	160	28,8	31,8		0,2650			600	35	180	30,2	33,2		0,2862			630	50	195	31,2	34,2	0,3021				650	60	205	31,9	34,9	0,3127			700	85	230	33,6	36,6	0,3392		710	90	235	33,9	36,9	0,3445		750	110	255	35,3	38,3	0,3657		800	135	280	37	40	0,3922	560 x	900	185	330		40,4	43,4	0,4452	BFN		600 x	630	50	195	37,7	40,7	0,4002			BF	1000	235	380	43,9	46,9	0,4982				180	-	-	15,8	17,5	0,0636				200	-	-	16,5	18,2			0,0742		225	-	-	17,3	19		0,0875			250	-	5	18,2	19,9	0,1007				280	-	20	19,2	20,9	0,1166			300	-	30	19,9	21,6	0,1272		315	-	37	20,4	22,1	0,1352		355	-	57	21,8	23,5	0,1564		400	-	80	23,3	25	0,1802	560 x	450	-	105		25,3	28,3	0,2112	BFN		630 x	630	50	195	39,1	42,1	0,4292			BFN	500	-	130	26,8	29,8	0,2332				550	10	155	28,5	31,5		0,2597			560	15	160	28,8	31,8			0,2650		600	35	180	30,2	33,2		0,2862			630	50	195	31,2	34,2	0,3021				650	60	205	31,9	34,9	0,3127			700	85	230	33,6	36,6	0,3392		710	90	235	33,9	36,9	0,3445		750	110	255	35,3	38,3	0,3657		800	135	280	37	40	0,3922	560 x	900	185	330		40,4	43,4	0,4452	BFN		800	135	280	40,3	43,3	0,4514	BFN			1000	235	380	43,9	46,9	0,4982				180	-	-	16	17,7	0,0648				200	-	-	16,7	18,4	0,0756				225	-	-	17,5	19,2	0,0891				250	-	5	18,4	20,1	0,1026			280		-	20	19,4	21,1	0,1188			300	-	30	20,1	21,8	0,1296		315	-	37	20,7	22,4	0,1377	355		-	57	22	23,7	0,1593	400		-	80	23,6	25,3	0,1836																																																																																																																																																																																																																																																																																																																																																																																																																																																																																																																																																																																																																															
	355	-	57	22	23,7	0,1593		400	-	80	23,6	25,3	0,1836	560 x	450	-	105		25,3	28,3	0,2112	BFN		630 x	630	50	195	34	37	0,3477			BF	500	-	130	26,8	29,8	0,2332				550	10	155	28,5	31,5	0,2597				560	15	160	28,8	31,8	0,2650				600	35	180	30,2	33,2	0,2862				630	50	195	31,2	34,2	0,3021				650	60	205	31,9	34,9	0,3127				700	85	230	33,6	36,6	0,3392			710	90	235	33,9	36,9	0,3445		750	110	255	35,3	38,3	0,3657	800	135	280	37	40	0,3922	560 x	900	185	330	40,4	43,4	0,4452	BFN		800	135	280	39,1	42,1	0,4292	BFN			1000	235	380	43,9	46,9	0,4982				180	-	-	16	17,7	0,0648				200	-	-	16,7	18,4	0,0756				225	-	-	17,5	19,2	0,0891				250	-	5	18,4	20,1	0,1026			280		-	20	19,4	21,1	0,1188			300		-	30	20,1	21,8	0,1296			315	-	37	20,7	22,4	0,1377		355	-	57	22	23,7	0,1593	400	-	80	23,6	25,3	0,1836	560 x	450	-	105	25,3	28,3	0,2112	BFN		900	185	330	42,7	45,7	0,4872	BFN			500	-	130	26,8	29,8	0,2332				550	10	155	28,5	31,5	0,2597				560	15	160	28,8	31,8	0,2650				600	35	180	30,2	33,2	0,2862				630	50	195	31,2	34,2	0,3021			650		60	205	31,9	34,9	0,3127			700		85	230	33,6	36,6	0,3392			710	90	235	33,9	36,9	0,3445		750	110	255	35,3	38,3	0,3657	800	135	280	37	40	0,3922	560 x	900	185	330	40,4	43,4	0,4452	BFN		1000	235	380	46,3	49,3	0,5452	BFN			1000	235	380	41,5	44,5	0,4512				180	-	-	15,8	17,5	0,0636				200	-	-	16,5	18,2	0,0742				225	-	-	17,3	19	0,0875				250	-	5	18,2	19,9	0,1007			280		-	20	19,2	20,9	0,1166			300		-	30	19,9	21,6	0,1272			315	-	37	20,4	22,1	0,1352		355	-	57	21,8	23,5	0,1564	400	-	80	23,3	25	0,1802	560 x	450	-	105	25,3	28,3	0,2112	BFN		600 x	630	50	195	35,5	38,5	0,3712			BF	500	-	130	26,8	29,8	0,2332				550	10	155	28,5	31,5	0,2597				560	15	160	28,8	31,8	0,2650				600	35	180	30,2	33,2		0,2862			630	50	195	31,2	34,2		0,3021			650	60	205	31,9	34,9	0,3127				700	85	230	33,6	36,6	0,3392			710	90	235	33,9	36,9	0,3445		750	110	255	35,3	38,3	0,3657	800	135	280	37	40	0,3922	560 x	900	185	330	40,4	43,4	0,4452	BFN		600 x	630	50	195	37,7	40,7	0,4002			BF	1000	235	380	43,9	46,9	0,4982				180	-	-	15,8	17,5	0,0636				200	-	-	16,5	18,2	0,0742				225	-	-	17,3	19			0,0875		250	-	5	18,2	19,9		0,1007			280	-	20	19,2	20,9	0,1166				300	-	30	19,9	21,6	0,1272			315	-	37	20,4	22,1	0,1352		355	-	57	21,8	23,5	0,1564	400	-	80	23,3	25	0,1802	560 x	450	-	105	25,3	28,3	0,2112	BFN		630 x	630	50	195	39,1	42,1	0,4292			BFN	500	-	130	26,8	29,8	0,2332				550	10	155	28,5	31,5	0,2597				560	15	160	28,8	31,8		0,2650			600	35	180	30,2	33,2			0,2862		630	50	195	31,2	34,2		0,3021			650	60	205	31,9	34,9	0,3127				700	85	230	33,6	36,6	0,3392			710	90	235	33,9	36,9	0,3445		750	110	255	35,3	38,3	0,3657	800	135	280	37	40	0,3922	560 x	900	185	330	40,4	43,4	0,4452	BFN		800	135	280	40,3	43,3	0,4514	BFN			1000	235	380	43,9	46,9	0,4982				180	-	-	16	17,7	0,0648				200	-	-	16,7	18,4	0,0756				225	-	-	17,5	19,2	0,0891				250	-	5	18,4	20,1	0,1026				280	-	20	19,4	21,1	0,1188			300		-	30	20,1	21,8	0,1296			315	-	37	20,7	22,4	0,1377		355	-	57	22	23,7	0,1593	400	-	80	23,6	25,3	0,1836																																																																																																																																																																																																																																																																																																																																																																																																																																																																																																																																																																																																																																							
400	-	80	23,6	25,3	0,1836	560 x	450	-	105	25,3	28,3	0,2112	BFN		630 x	630	50	195	34	37	0,3477			BF	500	-	130	26,8	29,8	0,2332				550	10	155	28,5	31,5	0,2597				560	15	160	28,8	31,8	0,2650				600	35	180	30,2	33,2	0,2862				630	50	195	31,2	34,2	0,3021				650	60	205	31,9	34,9	0,3127				700	85	230	33,6	36,6	0,3392				710	90	235	33,9	36,9	0,3445			750	110	255	35,3	38,3	0,3657		800	135	280	37	40	0,3922	560 x	900	185	330	40,4	43,4		0,4452	BFN	800	135	280	39,1			42,1	0,4292	BFN	1000	235	380				43,9	46,9	0,4982	180	-	-				16	17,7	0,0648	200	-	-				16,7	18,4	0,0756	225	-	-				17,5	19,2	0,0891	250	-	5				18,4	20,1	0,1026	280	-	20			19,4		21,1	0,1188	300	-	30			20,1		21,8	0,1296	315	-	37			20,7	22,4	0,1377	355	-	57		22	23,7	0,1593	400	-	80	23,6	25,3	0,1836	560 x	450	-		105	25,3	28,3	0,2112	BFN	900			185	330	42,7	45,7	0,4872	BFN				500	-	130	26,8	29,8	0,2332				550	10	155	28,5	31,5	0,2597				560	15	160	28,8	31,8	0,2650				600	35	180	30,2	33,2	0,2862				630	50	195	31,2	34,2	0,3021			650		60	205	31,9	34,9	0,3127			700		85	230	33,6	36,6	0,3392			710	90	235	33,9	36,9	0,3445		750	110	255	35,3	38,3	0,3657	800	135	280	37	40	0,3922		560 x	900	185	330	40,4	43,4			0,4452	BFN	1000	235	380	46,3				49,3	0,5452	BFN	1000	235	380				41,5	44,5	0,4512	180	-	-				15,8	17,5	0,0636	200	-	-				16,5	18,2	0,0742	225	-	-				17,3	19	0,0875	250	-	5			18,2		19,9	0,1007	280	-	20			19,2		20,9	0,1166	300	-	30			19,9	21,6	0,1272	315	-	37		20,4	22,1	0,1352	355	-	57	21,8	23,5	0,1564	400	-	80		23,3	25	0,1802	560 x	450	-			105	25,3	28,3	0,2112	BFN	600 x	630				50	195	35,5	38,5	0,3712	BF				500	-	130	26,8	29,8	0,2332				550	10	155	28,5	31,5	0,2597				560	15	160	28,8	31,8		0,2650			600	35	180	30,2	33,2		0,2862			630	50	195	31,2	34,2	0,3021				650	60	205	31,9	34,9	0,3127			700	85	230	33,6	36,6	0,3392		710	90	235	33,9	36,9	0,3445	750	110	255	35,3	38,3	0,3657		800	135	280	37	40	0,3922			560 x	900	185	330	40,4	43,4	0,4452				BFN	600 x	630	50	195	37,7				40,7	0,4002	BF	1000	235	380				43,9	46,9	0,4982	180	-	-				15,8	17,5	0,0636	200	-			-		16,5	18,2	0,0742	225	-		-			17,3	19	0,0875	250	-	5				18,2	19,9	0,1007	280	-	20			19,2	20,9	0,1166	300	-	30		19,9	21,6	0,1272	315	-	37	20,4	22,1	0,1352	355	-	57		21,8	23,5	0,1564	400	-	80			23,3	25	0,1802	560 x	450	-	105				25,3	28,3	0,2112	BFN	630 x	630				50	195	39,1	42,1	0,4292	BFN				500	-	130	26,8	29,8		0,2332			550	10	155	28,5	31,5			0,2597		560	15	160	28,8	31,8		0,2650			600	35	180	30,2	33,2	0,2862				630	50	195	31,2	34,2	0,3021			650	60	205	31,9	34,9	0,3127		700	85	230	33,6	36,6	0,3392	710	90	235	33,9	36,9	0,3445		750	110	255	35,3	38,3	0,3657			800	135	280	37	40	0,3922				560 x	900	185	330	40,4	43,4				0,4452	BFN	800	135	280	40,3				43,3	0,4514	BFN	1000	235	380				43,9	46,9	0,4982	180	-	-				16	17,7	0,0648	200	-	-				16,7	18,4	0,0756	225	-	-			17,5		19,2	0,0891	250	-	5			18,4	20,1	0,1026	280	-	20		19,4	21,1	0,1188	300	-	30	20,1	21,8	0,1296	315	-	37	20,7	22,4	0,1377	355	-	57	22	23,7	0,1593	400	-	80	23,6	25,3	0,1836																																																																																																																																																																																																																																																																																																																																																																																																																																																																																																																																																																																																																								
560 x	450	-	105	25,3	28,3		0,2112	BFN	630 x	630	50	195			34	37	0,3477	BF																																																																																																																																																																																																																																																																																																																																																																																																																																																																																																																																																																																																																																																																																																																																																																																																																																																																																																																																																																																																																																																																																																																																																																																																																																																																																																																																																																																																																																																															
	500	-	130	26,8	29,8		0,2332		550	10	155	28,5			31,5	0,2597	560		15	160	28,8				31,8	0,2650	600	35	180	30,2				33,2	0,2862	630	50	195	31,2				34,2	0,3021	650	60	205	31,9				34,9	0,3127	700	85	230	33,6				36,6	0,3392	710	90	235	33,9				36,9	0,3445	750	110	255	35,3		38,3		0,3657	800	135	280	37	40	0,3922		560 x	900	185	330	40,4	43,4	0,4452	BFN	800	135	280	39,1	42,1	0,4292	BFN	1000	235	380	43,9	46,9	0,4982	180		-	-	16	17,7	0,0648		200		-	-	16,7	18,4			0,0756	225		-	-	17,5				19,2	0,0891	250	-	5	18,4				20,1	0,1026	280	-	20	19,4				21,1	0,1188	300	-	30	20,1				21,8	0,1296	315	-	37	20,7				22,4	0,1377	355	-	57	22			23,7	0,1593	400	-	80	23,6	25,3		0,1836	560 x	450	-	105	25,3	28,3	0,2112	BFN	900	185	330	42,7	45,7	0,4872	BFN	500	-	130	26,8	29,8	0,2332	550	10	155	28,5		31,5	0,2597		560	15	160	28,8		31,8			0,2650	600	35	180	30,2					33,2	0,2862	630	50	195	31,2				34,2	0,3021	650	60	205	31,9				34,9	0,3127	700	85	230	33,6				36,6	0,3392	710	90	235	33,9				36,9	0,3445	750	110	255	35,3			38,3	0,3657	800	135	280	37	40		0,3922	560 x	900	185	330	40,4	43,4	0,4452	BFN	1000	235	380	46,3	49,3	0,5452	BFN	1000	235	380	41,5	44,5	0,4512	180	-	-	15,8	17,5	0,0636	200			-	-	16,5	18,2	0,0742			225		-	-	17,3	19				0,0875	250		-	5	18,2				19,9	0,1007	280	-	20	19,2				20,9	0,1166	300	-	30	19,9				21,6	0,1272	315	-	37	20,4				22,1	0,1352	355	-	57	21,8			23,5	0,1564	400	-	80	23,3	25		0,1802	560 x	450	-	105	25,3	28,3	0,2112	BFN	600 x	630	50	195	35,5	38,5	0,3712	BF	500	-	130	26,8	29,8	0,2332	550	10	155	28,5	31,5	0,2597		560	15	160		28,8	31,8			0,2650	600	35	180		30,2	33,2				0,2862	630	50	195	31,2					34,2	0,3021	650	60	205	31,9				34,9	0,3127	700	85	230	33,6				36,6	0,3392	710	90	235		33,9			36,9	0,3445	750	110	255		35,3		38,3	0,3657	800	135	280	37	40	0,3922		560 x	900	185	330	40,4	43,4	0,4452	BFN	600 x	630	50	195	37,7	40,7	0,4002	BF	1000	235	380	43,9	46,9	0,4982	180	-	-	15,8	17,5	0,0636		200	-	-	16,5	18,2	0,0742				225	-	-	17,3	19	0,0875					250	-	5	18,2	19,9				0,1007	280		-	20	19,2				20,9	0,1166	300	-	30	19,9				21,6	0,1272	315	-	37			20,4		22,1	0,1352	355	-	57		21,8	23,5		0,1564	400	-	80	23,3	25	0,1802		560 x	450	-	105	25,3	28,3	0,2112	BFN	630 x	630	50	195	39,1	42,1	0,4292	BFN	500	-	130	26,8	29,8	0,2332	550	10	155	28,5	31,5	0,2597		560	15	160	28,8	31,8	0,2650			600	35	180		30,2	33,2	0,2862				630	50	195		31,2	34,2				0,3021	650	60	205	31,9					34,9	0,3127	700	85	230		33,6			36,6	0,3392	710	90	235			33,9		36,9	0,3445	750	110	255		35,3	38,3		0,3657	800	135	280	37	40	0,3922		560 x	900	185	330	40,4	43,4	0,4452	BFN	800	135	280	40,3	43,3	0,4514	BFN	1000	235	380	43,9	46,9	0,4982	180	-	-	16	17,7	0,0648	200		-	-	16,7	18,4	0,0756	225			-	-	17,5	19,2	0,0891	250					-	5	18,4	20,1	0,1026				280		-	20	19,4	21,1				0,1188	300		-	30	20,1				21,8	0,1296	315	-	37	20,7				22,4	0,1377	355	-	57	22			23,7	0,1593	400	-	80	23,6	25,3		0,1836																																																																																																																																																																																																																																																																																																																																																																																																																																																																																																																																																																																																																																																																			
	550	10	155	28,5	31,5		0,2597		560	15	160	28,8			31,8	0,2650	600		35	180	30,2				33,2	0,2862	630	50	195	31,2				34,2	0,3021	650	60	205	31,9				34,9	0,3127	700	85	230	33,6				36,6	0,3392	710	90	235	33,9				36,9	0,3445	750	110	255	35,3		38,3		0,3657	800	135	280	37	40	0,3922	560 x		900	185	330	40,4	43,4	0,4452	BFN	800		135	280	39,1	42,1	0,4292	BFN		1000	235	380	43,9	46,9	0,4982		180	-	-	16	17,7	0,0648	200		-	-	16,7	18,4	0,0756		225		-	-	17,5	19,2			0,0891	250		-	5	18,4				20,1	0,1026	280	-	20	19,4				21,1	0,1188	300	-	30	20,1				21,8	0,1296	315	-	37	20,7				22,4	0,1377	355	-	57	22			23,7	0,1593	400	-	80	23,6	25,3		0,1836	560 x	450	-	105	25,3	28,3	0,2112	BFN	900		185	330	42,7	45,7	0,4872	BFN		500	-	130	26,8	29,8	0,2332		550	10	155	28,5	31,5	0,2597	560	15	160	28,8		31,8	0,2650		600	35	180	30,2		33,2			0,2862	630	50	195	31,2					34,2	0,3021	650	60	205	31,9				34,9	0,3127	700	85	230	33,6				36,6	0,3392	710	90	235	33,9				36,9	0,3445	750	110	255	35,3			38,3	0,3657	800	135	280	37	40		0,3922	560 x	900	185	330	40,4	43,4	0,4452	BFN	1000		235	380	46,3	49,3	0,5452	BFN		1000	235	380	41,5	44,5	0,4512		180	-	-	15,8	17,5	0,0636	200	-	-	16,5	18,2	0,0742	225			-	-	17,3	19	0,0875			250		-	5	18,2	19,9				0,1007	280		-	20	19,2				20,9	0,1166	300	-	30	19,9				21,6	0,1272	315	-	37	20,4				22,1	0,1352	355	-	57	21,8			23,5	0,1564	400	-	80	23,3	25	0,1802		560 x	450	-	105	25,3	28,3	0,2112	BFN	600 x		630	50	195	35,5	38,5	0,3712		BF	500	-	130	26,8	29,8	0,2332		550	10	155	28,5	31,5	0,2597	560	15	160	28,8	31,8	0,2650		600	35	180		30,2	33,2			0,2862	630	50	195		31,2	34,2				0,3021	650	60	205	31,9					34,9	0,3127	700	85	230	33,6				36,6	0,3392	710	90	235	33,9				36,9	0,3445	750	110	255	35,3	38,3			0,3657	800	135	280	37	40	0,3922		560 x	900	185	330	40,4	43,4	0,4452	BFN	600 x		630	50	195	37,7	40,7	0,4002		BF	1000	235	380	43,9	46,9	0,4982		180	-	-	15,8	17,5	0,0636	200	-	-	16,5	18,2	0,0742		225	-	-	17,3	19	0,0875				250	-	5	18,2	19,9	0,1007					280	-	20	19,2	20,9				0,1166	300		-	30	19,9				21,6	0,1272	315	-	37	20,4				22,1	0,1352	355	-	57	21,8		23,5		0,1564	400	-	80	23,3	25	0,1802	560 x		450	-	105	25,3	28,3	0,2112	BFN	630 x		630	50	195	39,1	42,1	0,4292		BFN	500	-	130	26,8	29,8	0,2332		550	10	155	28,5	31,5	0,2597	560	15	160	28,8	31,8	0,2650		600	35	180	30,2	33,2	0,2862			630	50	195		31,2	34,2	0,3021				650	60	205		31,9	34,9				0,3127	700	85	230	33,6					36,6	0,3392	710	90	235		33,9			36,9	0,3445	750	110	255	35,3		38,3		0,3657	800	135	280	37	40	0,3922	560 x		900	185	330	40,4	43,4	0,4452	BFN	800		135	280	40,3	43,3	0,4514	BFN		1000	235	380	43,9	46,9	0,4982		180	-	-	16	17,7	0,0648	200	-	-	16,7	18,4	0,0756	225		-	-	17,5	19,2	0,0891	250			-	5	18,4	20,1	0,1026	280					-	20	19,4	21,1	0,1188				300		-	30	20,1	21,8				0,1296	315		-	37	20,7				22,4	0,1377	355	-	57	22	23,7			0,1593	400	-	80	23,6	25,3	0,1836																																																																																																																																																																																																																																																																																																																																																																																																																																																																																																																																																																																																																																																																													
	560	15	160	28,8	31,8		0,2650		600	35	180	30,2			33,2	0,2862	630		50	195	31,2				34,2	0,3021	650	60	205	31,9				34,9	0,3127	700	85	230	33,6				36,6	0,3392	710	90	235	33,9				36,9	0,3445	750	110	255	35,3		38,3		0,3657	800	135	280	37	40	0,3922	560 x		900	185	330	40,4	43,4	0,4452	BFN		800	135	280	39,1	42,1	0,4292	BFN		1000		235	380	43,9	46,9	0,4982			180	-	-	16	17,7	0,0648		200	-	-	16,7	18,4	0,0756	225		-	-	17,5	19,2	0,0891		250		-	5	18,4	20,1			0,1026	280		-	20	19,4				21,1	0,1188	300	-	30	20,1				21,8	0,1296	315	-	37	20,7				22,4	0,1377	355	-	57	22			23,7	0,1593	400	-	80	23,6	25,3		0,1836	560 x	450	-	105	25,3	28,3	0,2112	BFN	900		185	330	42,7	45,7	0,4872	BFN		500		-	130	26,8	29,8	0,2332			550	10	155	28,5	31,5	0,2597		560	15	160	28,8	31,8	0,2650	600	35	180	30,2		33,2	0,2862		630	50	195	31,2		34,2			0,3021	650	60	205	31,9					34,9	0,3127	700	85	230	33,6				36,6	0,3392	710	90	235	33,9				36,9	0,3445	750	110	255	35,3			38,3	0,3657	800	135	280	37	40		0,3922	560 x	900	185	330	40,4	43,4	0,4452	BFN	1000		235	380	46,3	49,3	0,5452	BFN		1000		235	380	41,5	44,5	0,4512			180	-	-	15,8	17,5	0,0636		200	-	-	16,5	18,2	0,0742	225	-	-	17,3	19	0,0875	250			-	5	18,2	19,9	0,1007			280		-	20	19,2	20,9				0,1166	300		-	30	19,9				21,6	0,1272	315	-	37	20,4				22,1	0,1352	355	-	57	21,8			23,5	0,1564	400	-	80	23,3	25		0,1802	560 x	450	-	105	25,3	28,3	0,2112	BFN	600 x		630	50	195	35,5	38,5	0,3712		BF		500	-	130	26,8	29,8	0,2332			550	10	155	28,5	31,5	0,2597		560	15	160	28,8	31,8	0,2650	600	35	180	30,2	33,2	0,2862		630	50	195		31,2	34,2			0,3021	650	60	205		31,9	34,9				0,3127	700	85	230	33,6					36,6	0,3392	710	90	235	33,9				36,9	0,3445	750	110	255	35,3		38,3		0,3657	800	135	280	37	40	0,3922	560 x		900	185	330	40,4	43,4	0,4452	BFN	600 x		630	50	195	37,7	40,7	0,4002		BF		1000	235	380	43,9	46,9	0,4982			180	-	-	15,8	17,5	0,0636		200	-	-	16,5	18,2	0,0742	225	-	-	17,3	19	0,0875		250	-	5	18,2	19,9	0,1007				280	-	20	19,2	20,9	0,1166					300	-	30	19,9	21,6				0,1272	315		-	37	20,4				22,1	0,1352	355	-	57	21,8		23,5		0,1564	400	-	80	23,3	25	0,1802	560 x		450	-	105	25,3	28,3	0,2112	BFN		630 x	630	50	195	39,1	42,1	0,4292		BFN		500	-	130	26,8	29,8	0,2332			550	10	155	28,5	31,5	0,2597		560	15	160	28,8	31,8	0,2650	600	35	180	30,2	33,2	0,2862		630	50	195	31,2	34,2	0,3021			650	60	205		31,9	34,9	0,3127				700	85	230		33,6	36,6				0,3392	710	90	235	33,9					36,9	0,3445	750	110	255		35,3	38,3		0,3657	800	135	280	37	40	0,3922	560 x		900	185	330	40,4	43,4	0,4452	BFN		800	135	280	40,3	43,3	0,4514	BFN		1000		235	380	43,9	46,9	0,4982			180	-	-	16	17,7	0,0648		200	-	-	16,7	18,4	0,0756	225	-	-	17,5	19,2	0,0891	250		-	5	18,4	20,1	0,1026	280			-	20	19,4	21,1	0,1188	300					-	30	20,1	21,8	0,1296				315		-	37	20,7	22,4				0,1377	355		-	57	22	23,7			0,1593	400	-	80	23,6	25,3	0,1836																																																																																																																																																																																																																																																																																																																																																																																																																																																																																																																																																																																																																																																																																						
	600	35	180	30,2	33,2		0,2862		630	50	195	31,2			34,2	0,3021	650		60	205	31,9				34,9	0,3127	700	85	230	33,6				36,6	0,3392	710	90	235	33,9				36,9	0,3445	750	110	255	35,3		38,3		0,3657	800	135	280	37	40	0,3922	560 x		900	185	330	40,4	43,4	0,4452	BFN		800	135	280	39,1	42,1	0,4292	BFN			1000	235	380	43,9	46,9	0,4982			180		-	-	16	17,7	0,0648			200	-	-	16,7	18,4	0,0756		225	-	-	17,5	19,2	0,0891	250		-	5	18,4	20,1	0,1026		280		-	20	19,4	21,1			0,1188	300		-	30	20,1				21,8	0,1296	315	-	37	20,7				22,4	0,1377	355	-	57	22			23,7	0,1593	400	-	80	23,6	25,3		0,1836	560 x	450	-	105	25,3	28,3	0,2112	BFN	900		185	330	42,7	45,7	0,4872	BFN		500		-	130	26,8	29,8	0,2332			550		10	155	28,5	31,5	0,2597			560	15	160	28,8	31,8	0,2650		600	35	180	30,2	33,2	0,2862	630	50	195	31,2		34,2	0,3021		650	60	205	31,9		34,9			0,3127	700	85	230	33,6					36,6	0,3392	710	90	235	33,9				36,9	0,3445	750	110	255	35,3			38,3	0,3657	800	135	280	37	40		0,3922	560 x	900	185	330	40,4	43,4	0,4452	BFN	1000		235	380	46,3	49,3	0,5452	BFN		1000		235	380	41,5	44,5	0,4512			180		-	-	15,8	17,5	0,0636			200	-	-	16,5	18,2	0,0742		225	-	-	17,3	19	0,0875	250	-	5	18,2	19,9	0,1007	280			-	20	19,2	20,9	0,1166			300		-	30	19,9	21,6				0,1272	315		-	37	20,4				22,1	0,1352	355	-	57	21,8			23,5	0,1564	400	-	80	23,3	25		0,1802	560 x	450	-	105	25,3	28,3	0,2112	BFN	600 x		630	50	195	35,5	38,5	0,3712		BF		500	-	130	26,8	29,8	0,2332				550	10	155	28,5	31,5	0,2597			560	15	160	28,8	31,8	0,2650		600	35	180	30,2	33,2	0,2862	630	50	195	31,2	34,2	0,3021		650	60	205		31,9	34,9			0,3127	700	85	230		33,6	36,6				0,3392	710	90	235	33,9					36,9	0,3445	750	110	255	35,3		38,3		0,3657	800	135	280	37	40	0,3922	560 x		900	185	330	40,4	43,4	0,4452	BFN		600 x	630	50	195	37,7	40,7	0,4002		BF		1000	235	380	43,9	46,9	0,4982				180	-	-	15,8	17,5	0,0636			200	-	-	16,5	18,2	0,0742		225	-	-	17,3	19	0,0875	250	-	5	18,2	19,9	0,1007		280	-	20	19,2	20,9	0,1166				300	-	30	19,9	21,6	0,1272					315	-	37	20,4	22,1				0,1352	355		-	57	21,8		23,5		0,1564	400	-	80	23,3	25	0,1802	560 x		450	-	105	25,3	28,3	0,2112	BFN		630 x	630	50	195	39,1	42,1	0,4292			BFN	500	-	130	26,8	29,8	0,2332				550	10	155	28,5	31,5	0,2597			560	15	160	28,8	31,8	0,2650		600	35	180	30,2	33,2	0,2862	630	50	195	31,2	34,2	0,3021		650	60	205	31,9	34,9	0,3127			700	85	230		33,6	36,6	0,3392				710	90	235		33,9	36,9				0,3445	750	110	255	35,3			38,3		0,3657	800	135	280	37	40	0,3922	560 x		900	185	330	40,4	43,4	0,4452	BFN		800	135	280	40,3	43,3	0,4514	BFN			1000	235	380	43,9	46,9	0,4982			180		-	-	16	17,7	0,0648			200	-	-	16,7	18,4	0,0756		225	-	-	17,5	19,2	0,0891	250	-	5	18,4	20,1	0,1026	280		-	20	19,4	21,1	0,1188	300			-	30	20,1	21,8	0,1296	315					-	37	20,7	22,4	0,1377				355		-	57	22	23,7			0,1593	400	-		80	23,6	25,3	0,1836																																																																																																																																																																																																																																																																																																																																																																																																																																																																																																																																																																																																																																																																																															
	630	50	195	31,2	34,2		0,3021		650	60	205	31,9			34,9	0,3127	700		85	230	33,6				36,6	0,3392	710	90	235	33,9				36,9	0,3445	750	110	255	35,3		38,3		0,3657	800	135	280	37	40	0,3922	560 x		900	185	330	40,4	43,4	0,4452	BFN		800	135	280	39,1	42,1	0,4292	BFN			1000	235	380	43,9	46,9	0,4982				180	-	-	16	17,7	0,0648			200		-	-	16,7	18,4	0,0756			225	-	-	17,5	19,2	0,0891		250	-	5	18,4	20,1	0,1026	280		-	20	19,4	21,1	0,1188		300		-	30	20,1	21,8			0,1296	315		-	37	20,7				22,4	0,1377	355	-	57	22			23,7	0,1593	400	-	80	23,6	25,3		0,1836	560 x	450	-	105	25,3	28,3	0,2112	BFN	900		185	330	42,7	45,7	0,4872	BFN		500		-	130	26,8	29,8	0,2332			550		10	155	28,5	31,5	0,2597			560		15	160	28,8	31,8	0,2650			600	35	180	30,2	33,2	0,2862		630	50	195	31,2	34,2	0,3021	650	60	205	31,9		34,9	0,3127		700	85	230	33,6		36,6			0,3392	710	90	235	33,9					36,9	0,3445	750	110	255	35,3			38,3	0,3657	800	135	280	37	40		0,3922	560 x	900	185	330	40,4	43,4	0,4452	BFN	1000		235	380	46,3	49,3	0,5452	BFN		1000		235	380	41,5	44,5	0,4512			180		-	-	15,8	17,5	0,0636			200		-	-	16,5	18,2	0,0742			225	-	-	17,3	19	0,0875		250	-	5	18,2	19,9	0,1007	280	-	20	19,2	20,9	0,1166	300			-	30	19,9	21,6	0,1272			315		-	37	20,4	22,1				0,1352	355		-	57	21,8			23,5	0,1564	400	-	80	23,3	25		0,1802	560 x	450	-	105	25,3	28,3	0,2112	BFN	600 x		630	50	195	35,5	38,5	0,3712		BF		500	-	130	26,8	29,8	0,2332				550	10	155	28,5	31,5	0,2597				560	15	160	28,8	31,8	0,2650			600	35	180	30,2	33,2	0,2862		630	50	195	31,2	34,2	0,3021	650	60	205	31,9	34,9	0,3127		700	85	230		33,6	36,6			0,3392	710	90	235		33,9	36,9				0,3445	750	110	255	35,3			38,3		0,3657	800	135	280	37	40	0,3922	560 x		900	185	330	40,4	43,4	0,4452	BFN		600 x	630	50	195	37,7	40,7	0,4002			BF	1000	235	380	43,9	46,9	0,4982				180	-	-	15,8	17,5	0,0636				200	-	-	16,5	18,2	0,0742			225	-	-	17,3	19	0,0875		250	-	5	18,2	19,9	0,1007	280	-	20	19,2	20,9	0,1166		300	-	30	19,9	21,6	0,1272				315	-	37	20,4	22,1	0,1352					355	-	57	21,8	23,5		0,1564		400	-		80	23,3	25	0,1802	560 x		450	-	105	25,3	28,3	0,2112	BFN		630 x	630	50	195	39,1	42,1	0,4292			BFN	500	-	130	26,8	29,8	0,2332				550	10	155	28,5	31,5	0,2597				560	15	160	28,8	31,8	0,2650			600	35	180	30,2	33,2	0,2862		630	50	195	31,2	34,2	0,3021	650	60	205	31,9	34,9	0,3127		700	85	230	33,6	36,6	0,3392			710	90	235		33,9	36,9	0,3445				750	110	255		35,3	38,3		0,3657		800	135	280	37	40		0,3922	560 x		900	185	330	40,4	43,4	0,4452	BFN		800	135	280	40,3	43,3	0,4514	BFN			1000	235	380	43,9	46,9	0,4982				180	-	-	16	17,7	0,0648			200		-	-	16,7	18,4	0,0756			225	-	-	17,5	19,2	0,0891		250	-	5	18,4	20,1	0,1026	280	-	20	19,4	21,1	0,1188	300		-	30	20,1	21,8	0,1296	315			-	37	20,7	22,4	0,1377	355					-	57	22	23,7	0,1593			400	-		80	23,6	25,3	0,1836																																																																																																																																																																																																																																																																																																																																																																																																																																																																																																																																																																																																																																																																																																									
	650	60	205	31,9	34,9		0,3127		700	85	230	33,6			36,6	0,3392	710		90	235	33,9				36,9	0,3445	750	110	255	35,3		38,3		0,3657	800	135	280	37	40	0,3922	560 x		900	185	330	40,4	43,4	0,4452	BFN		800	135	280	39,1	42,1	0,4292	BFN			1000	235	380	43,9	46,9	0,4982				180	-	-	16	17,7	0,0648				200	-	-	16,7	18,4	0,0756			225		-	-	17,5	19,2	0,0891			250	-	5	18,4	20,1	0,1026		280	-	20	19,4	21,1	0,1188	300		-	30	20,1	21,8	0,1296		315		-	37	20,7	22,4			0,1377	355		-	57	22			23,7	0,1593	400	-	80	23,6	25,3		0,1836	560 x	450	-	105	25,3	28,3	0,2112	BFN	900		185	330	42,7	45,7	0,4872	BFN		500		-	130	26,8	29,8	0,2332			550		10	155	28,5	31,5	0,2597			560		15	160	28,8	31,8	0,2650			600		35	180	30,2	33,2	0,2862			630	50	195	31,2	34,2	0,3021		650	60	205	31,9	34,9	0,3127	700	85	230	33,6		36,6	0,3392		710	90	235	33,9		36,9			0,3445	750	110	255	35,3				38,3	0,3657	800	135	280	37	40		0,3922	560 x	900	185	330	40,4	43,4	0,4452	BFN	1000		235	380	46,3	49,3	0,5452	BFN		1000		235	380	41,5	44,5	0,4512			180		-	-	15,8	17,5	0,0636			200		-	-	16,5	18,2	0,0742			225		-	-	17,3	19	0,0875			250	-	5	18,2	19,9	0,1007		280	-	20	19,2	20,9	0,1166	300	-	30	19,9	21,6	0,1272	315			-	37	20,4	22,1	0,1352			355		-	57	21,8	23,5			0,1564	400	-		80	23,3	25		0,1802	560 x	450	-	105	25,3	28,3	0,2112	BFN	600 x		630	50	195	35,5	38,5	0,3712		BF		500	-	130	26,8	29,8	0,2332				550	10	155	28,5	31,5	0,2597				560	15	160	28,8	31,8	0,2650				600	35	180	30,2	33,2	0,2862			630	50	195	31,2	34,2	0,3021		650	60	205	31,9	34,9	0,3127	700	85	230	33,6	36,6	0,3392		710	90	235		33,9	36,9			0,3445	750	110	255		35,3	38,3		0,3657		800	135	280	37	40		0,3922	560 x		900	185	330	40,4	43,4	0,4452	BFN		600 x	630	50	195	37,7	40,7	0,4002			BF	1000	235	380	43,9	46,9	0,4982				180	-	-	15,8	17,5	0,0636				200	-	-	16,5	18,2	0,0742				225	-	-	17,3	19	0,0875			250	-	5	18,2	19,9	0,1007		280	-	20	19,2	20,9	0,1166	300	-	30	19,9	21,6	0,1272		315	-	37	20,4	22,1	0,1352				355	-	57	21,8	23,5	0,1564		400			-	80	23,3	25	0,1802	560 x	450		-	105		25,3	28,3	0,2112	BFN		630 x	630	50	195	39,1	42,1	0,4292			BFN	500	-	130	26,8	29,8	0,2332				550	10	155	28,5	31,5	0,2597				560	15	160	28,8	31,8	0,2650				600	35	180	30,2	33,2	0,2862			630	50	195	31,2	34,2	0,3021		650	60	205	31,9	34,9	0,3127	700	85	230	33,6	36,6	0,3392		710	90	235	33,9	36,9	0,3445			750	110	255		35,3	38,3	0,3657		800		135	280	37		40	0,3922	560 x	900		185	330	40,4	43,4	0,4452		BFN		800	135	280	40,3	43,3	0,4514	BFN			1000	235	380	43,9	46,9	0,4982				180	-	-	16	17,7	0,0648				200	-	-	16,7	18,4	0,0756			225		-	-	17,5	19,2	0,0891			250	-	5	18,4	20,1	0,1026		280	-	20	19,4	21,1	0,1188	300	-	30	20,1	21,8	0,1296	315		-	37	20,7	22,4	0,1377	355			-	57	22	23,7	0,1593	400			-		80	23,6	25,3	0,1836																																																																																																																																																																																																																																																																																																																																																																																																																																																																																																																																																																																																																																																																																																																			
	700	85	230	33,6	36,6		0,3392		710	90	235	33,9			36,9	0,3445	750		110	255	35,3		38,3		0,3657	800	135	280	37	40	0,3922	560 x		900	185	330	40,4	43,4	0,4452	BFN		800	135	280	39,1	42,1	0,4292	BFN			1000	235	380	43,9	46,9	0,4982				180	-	-	16	17,7	0,0648				200	-	-	16,7	18,4	0,0756				225	-	-	17,5	19,2	0,0891			250		-	5	18,4	20,1	0,1026			280	-	20	19,4	21,1	0,1188		300	-	30	20,1	21,8	0,1296	315		-	37	20,7	22,4	0,1377		355		-	57	22	23,7		0,1593	400	-		80	23,6	25,3		0,1836	560 x	450	-	105	25,3	28,3	0,2112	BFN	900		185	330	42,7	45,7	0,4872	BFN		500		-	130	26,8	29,8	0,2332			550		10	155	28,5	31,5	0,2597			560		15	160	28,8	31,8	0,2650			600		35	180	30,2	33,2	0,2862			630		50	195	31,2	34,2	0,3021			650	60	205	31,9	34,9	0,3127		700	85	230	33,6	36,6	0,3392	710	90	235	33,9		36,9	0,3445		750	110	255	35,3		38,3		0,3657	800	135	280	37	40			0,3922	560 x	900	185	330	40,4	43,4	0,4452	BFN	1000		235	380	46,3	49,3	0,5452	BFN		1000		235	380	41,5	44,5	0,4512			180		-	-	15,8	17,5	0,0636			200		-	-	16,5	18,2	0,0742			225		-	-	17,3	19	0,0875			250		-	5	18,2	19,9	0,1007			280	-	20	19,2	20,9	0,1166		300	-	30	19,9	21,6	0,1272	315	-	37	20,4	22,1	0,1352	355			-	57	21,8	23,5	0,1564		400	-		80	23,3	25	0,1802		560 x	450	-	105		25,3	28,3	0,2112	BFN	600 x		630	50	195	35,5	38,5	0,3712		BF		500	-	130	26,8	29,8	0,2332				550	10	155	28,5	31,5	0,2597				560	15	160	28,8	31,8	0,2650				600	35	180	30,2	33,2	0,2862				630	50	195	31,2	34,2	0,3021			650	60	205	31,9	34,9	0,3127		700	85	230	33,6	36,6	0,3392	710	90	235	33,9	36,9	0,3445		750	110	255		35,3	38,3		0,3657	800	135	280	37		40	0,3922	560 x	900		185	330	40,4	43,4	0,4452		BFN		600 x	630	50	195	37,7	40,7	0,4002			BF	1000	235	380	43,9	46,9	0,4982				180	-	-	15,8	17,5	0,0636				200	-	-	16,5	18,2	0,0742				225	-	-	17,3	19	0,0875				250	-	5	18,2	19,9	0,1007			280	-	20	19,2	20,9	0,1166		300	-	30	19,9	21,6	0,1272	315	-	37	20,4	22,1	0,1352		355	-	57	21,8	23,5	0,1564		400		-	80	23,3	25	0,1802	560 x	450	-			105	25,3	28,3	0,2112	BFN		630 x	630	50	195		39,1	42,1	0,4292			BFN	500	-	130	26,8	29,8	0,2332				550	10	155	28,5	31,5	0,2597				560	15	160	28,8	31,8	0,2650				600	35	180	30,2	33,2	0,2862				630	50	195	31,2	34,2	0,3021			650	60	205	31,9	34,9	0,3127		700	85	230	33,6	36,6	0,3392	710	90	235	33,9	36,9	0,3445		750	110	255	35,3	38,3	0,3657		800	135	280	37		40	0,3922	560 x	900	185		330	40,4	43,4		0,4452	BFN		800	135	280	40,3	43,3	0,4514	BFN				1000	235	380	43,9	46,9	0,4982				180	-	-	16	17,7	0,0648				200	-	-	16,7	18,4	0,0756				225	-	-	17,5	19,2	0,0891			250		-	5	18,4	20,1	0,1026			280	-	20	19,4	21,1	0,1188		300	-	30	20,1	21,8	0,1296	315	-	37	20,7	22,4	0,1377	355		-	57	22	23,7	0,1593	400		-	80	23,6	25,3	0,1836																																																																																																																																																																																																																																																																																																																																																																																																																																																																																																																																																																																																																																																																																																																													
	710	90	235	33,9	36,9		0,3445		750	110	255	35,3		38,3	0,3657	800	135		280	37	40	0,3922	560 x		900	185	330	40,4	43,4	0,4452	BFN		800	135	280	39,1	42,1	0,4292	BFN			1000	235	380	43,9	46,9	0,4982				180	-	-	16	17,7	0,0648				200	-	-	16,7	18,4	0,0756				225	-	-	17,5	19,2	0,0891				250	-	5	18,4	20,1	0,1026			280		-	20	19,4	21,1	0,1188			300	-	30	20,1	21,8	0,1296		315	-	37	20,7	22,4	0,1377	355		-	57	22	23,7	0,1593	400	-		80	23,6	25,3	0,1836	560 x	450	-	105		25,3	28,3	0,2112	BFN	900		185	330	42,7	45,7	0,4872	BFN		500		-	130	26,8	29,8	0,2332			550		10	155	28,5	31,5	0,2597			560		15	160	28,8	31,8	0,2650			600		35	180	30,2	33,2	0,2862			630		50	195	31,2	34,2	0,3021			650		60	205	31,9	34,9	0,3127			700	85	230	33,6	36,6	0,3392		710	90	235	33,9	36,9	0,3445	750	110	255	35,3		38,3	0,3657	800	135	280	37	40		0,3922	560 x	900	185	330	40,4	43,4	0,4452		BFN	1000		235	380	46,3	49,3	0,5452	BFN		1000		235	380	41,5	44,5	0,4512			180		-	-	15,8	17,5	0,0636			200		-	-	16,5	18,2	0,0742			225		-	-	17,3	19	0,0875			250		-	5	18,2	19,9	0,1007			280		-	20	19,2	20,9	0,1166			300	-	30	19,9	21,6	0,1272		315	-	37	20,4	22,1	0,1352	355	-	57	21,8	23,5	0,1564	400	-		80	23,3	25	0,1802	560 x	450	-	105		25,3	28,3	0,2112	BFN	600 x		630	50	195		35,5	38,5	0,3712		BF		500	-	130	26,8	29,8	0,2332				550	10	155	28,5	31,5	0,2597				560	15	160	28,8	31,8	0,2650				600	35	180	30,2	33,2	0,2862				630	50	195	31,2	34,2	0,3021				650	60	205	31,9	34,9	0,3127			700	85	230	33,6	36,6	0,3392		710	90	235	33,9	36,9	0,3445	750	110	255	35,3	38,3	0,3657	800	135	280	37		40	0,3922	560 x	900	185	330	40,4	43,4		0,4452	BFN		600 x	630	50	195	37,7	40,7	0,4002				BF	1000	235	380	43,9	46,9	0,4982				180	-	-	15,8	17,5	0,0636				200	-	-	16,5	18,2	0,0742				225	-	-	17,3	19	0,0875				250	-	5	18,2	19,9	0,1007				280	-	20	19,2	20,9	0,1166			300	-	30	19,9	21,6	0,1272		315	-	37	20,4	22,1	0,1352	355	-	57	21,8	23,5	0,1564	400	-	80	23,3	25	0,1802	560 x	450	-		105	25,3	28,3	0,2112	BFN		630 x	630	50		195	39,1	42,1	0,4292			BFN	500	-	130		26,8	29,8	0,2332				550	10	155	28,5	31,5	0,2597				560	15	160	28,8	31,8	0,2650				600	35	180	30,2	33,2	0,2862				630	50	195	31,2	34,2	0,3021				650	60	205	31,9	34,9	0,3127			700	85	230	33,6	36,6	0,3392		710	90	235	33,9	36,9	0,3445	750	110	255	35,3	38,3	0,3657	800	135	280	37	40	0,3922	560 x	900	185	330	40,4	43,4		0,4452	BFN		800	135	280	40,3	43,3	0,4514		BFN			1000	235	380	43,9	46,9	0,4982					180	-	-	16	17,7	0,0648				200	-	-	16,7	18,4	0,0756				225	-	-	17,5	19,2	0,0891				250	-	5	18,4	20,1	0,1026			280		-	20	19,4	21,1	0,1188			300	-	30	20,1	21,8	0,1296		315	-	37	20,7	22,4	0,1377	355	-	57	22	23,7	0,1593	400	-	80	23,6	25,3	0,1836																																																																																																																																																																																																																																																																																																																																																																																																																																																																																																																																																																																																																																																																																																																																					
	750	110	255	35,3	38,3	0,3657	800		135	280	37	40	0,3922	560 x	900	185	330		40,4	43,4	0,4452	BFN		800	135	280	39,1	42,1	0,4292	BFN			1000	235	380	43,9	46,9	0,4982				180	-	-	16	17,7	0,0648				200	-	-	16,7	18,4	0,0756				225	-	-	17,5	19,2	0,0891				250	-	5	18,4	20,1	0,1026				280	-	20	19,4	21,1	0,1188			300		-	30	20,1	21,8	0,1296			315	-	37	20,7	22,4	0,1377		355	-	57	22	23,7	0,1593	400	-	80	23,6	25,3	0,1836	560 x	450	-	105	25,3	28,3	0,2112	BFN		900	185	330	42,7	45,7	0,4872	BFN		500		-	130	26,8	29,8	0,2332			550		10	155	28,5	31,5	0,2597			560		15	160	28,8	31,8	0,2650			600		35	180	30,2	33,2	0,2862			630		50	195	31,2	34,2	0,3021			650		60	205	31,9	34,9	0,3127			700		85	230	33,6	36,6	0,3392			710	90	235	33,9	36,9	0,3445		750	110	255	35,3	38,3	0,3657	800	135	280	37	40	0,3922	560 x	900	185	330	40,4	43,4	0,4452	BFN		1000	235	380	46,3	49,3	0,5452	BFN		1000		235	380	41,5	44,5	0,4512			180		-	-	15,8	17,5	0,0636			200		-	-	16,5	18,2	0,0742			225		-	-	17,3	19	0,0875			250		-	5	18,2	19,9	0,1007			280		-	20	19,2	20,9	0,1166			300		-	30	19,9	21,6	0,1272			315	-	37	20,4	22,1	0,1352		355	-	57	21,8	23,5	0,1564	400	-	80	23,3	25	0,1802	560 x	450	-	105	25,3	28,3	0,2112		BFN	600 x	630	50	195	35,5	38,5		0,3712		BF	500	-	130	26,8	29,8	0,2332				550	10	155	28,5	31,5	0,2597				560	15	160	28,8	31,8	0,2650				600	35	180	30,2	33,2	0,2862				630	50	195	31,2	34,2	0,3021				650	60	205	31,9	34,9	0,3127				700	85	230	33,6	36,6	0,3392			710	90	235	33,9	36,9	0,3445		750	110	255	35,3	38,3	0,3657	800	135	280	37	40	0,3922	560 x	900	185	330	40,4	43,4	0,4452		BFN	600 x	630	50	195	37,7	40,7			0,4002	BF	1000	235	380	43,9	46,9	0,4982				180	-	-	15,8	17,5	0,0636				200	-	-	16,5	18,2	0,0742				225	-	-	17,3	19	0,0875				250	-	5	18,2	19,9	0,1007				280	-	20	19,2	20,9	0,1166				300	-	30	19,9	21,6	0,1272			315	-	37	20,4	22,1	0,1352		355	-	57	21,8	23,5	0,1564	400	-	80	23,3	25	0,1802	560 x	450	-	105	25,3	28,3		0,2112	BFN	630 x	630	50	195	39,1			42,1	0,4292	BFN	500	-	130	26,8	29,8				0,2332	550	10	155	28,5	31,5	0,2597				560	15	160	28,8	31,8	0,2650				600	35	180	30,2	33,2	0,2862				630	50	195	31,2	34,2	0,3021				650	60	205	31,9	34,9	0,3127				700	85	230	33,6	36,6	0,3392			710	90	235	33,9	36,9	0,3445		750	110	255	35,3	38,3	0,3657	800	135	280	37	40	0,3922	560 x	900	185	330	40,4	43,4		0,4452	BFN	800	135	280	40,3	43,3			0,4514	BFN	1000	235	380	43,9	46,9				0,4982	180	-	-	16	17,7		0,0648			200	-	-	16,7	18,4	0,0756				225	-	-	17,5	19,2	0,0891				250	-	5	18,4	20,1	0,1026				280	-	20	19,4	21,1	0,1188			300		-	30	20,1	21,8	0,1296			315	-	37	20,7	22,4	0,1377		355	-	57	22	23,7	0,1593	400	-	80	23,6	25,3	0,1836																																																																																																																																																																																																																																																																																																																																																																																																																																																																																																																																																																																																																																																																																																																																											
800	135	280	37	40	0,3922	560 x	900	185	330	40,4	43,4	0,4452	BFN		800	135	280	39,1	42,1	0,4292	BFN			1000	235	380	43,9	46,9	0,4982				180	-	-	16	17,7	0,0648				200	-	-	16,7	18,4	0,0756				225	-	-	17,5	19,2	0,0891				250	-	5	18,4	20,1	0,1026				280	-	20	19,4	21,1	0,1188				300	-	30	20,1	21,8	0,1296			315		-	37	20,7	22,4	0,1377			355	-	57	22	23,7	0,1593		400	-	80	23,6	25,3	0,1836	560 x	450	-	105	25,3	28,3		0,2112	BFN	900	185	330	42,7			45,7	0,4872	BFN	500	-	130			26,8		29,8	0,2332	550	10	155			28,5		31,5	0,2597	560	15	160			28,8		31,8	0,2650	600	35	180			30,2		33,2	0,2862	630	50	195			31,2		34,2	0,3021	650	60	205			31,9		34,9	0,3127	700	85	230			33,6		36,6	0,3392	710	90	235			33,9	36,9	0,3445	750	110	255		35,3	38,3	0,3657	800	135	280	37	40	0,3922	560 x	900	185		330	40,4	43,4	0,4452	BFN	1000			235	380	46,3	49,3	0,5452	BFN			1000		235	380	41,5	44,5	0,4512			180		-	-	15,8	17,5	0,0636			200		-	-	16,5	18,2	0,0742			225		-	-	17,3	19	0,0875			250		-	5	18,2	19,9	0,1007			280		-	20	19,2	20,9	0,1166			300		-	30	19,9	21,6	0,1272			315	-	37	20,4	22,1	0,1352		355	-	57	21,8	23,5	0,1564	400	-	80	23,3	25	0,1802		560 x	450	-	105	25,3	28,3			0,2112	BFN	600 x	630	50	195		35,5			38,5	0,3712	BF	500	-	130				26,8	29,8	0,2332	550	10	155				28,5	31,5	0,2597	560	15	160				28,8	31,8	0,2650	600	35	180				30,2	33,2	0,2862	630	50	195				31,2	34,2	0,3021	650	60	205				31,9	34,9	0,3127	700	85	230			33,6	36,6	0,3392	710	90	235		33,9	36,9	0,3445	750	110	255	35,3	38,3	0,3657	800	135	280		37	40	0,3922	560 x	900	185			330	40,4	43,4	0,4452	BFN	600 x			630		50	195	37,7	40,7	0,4002	BF				1000	235	380	43,9	46,9	0,4982				180	-	-	15,8	17,5	0,0636				200	-	-	16,5	18,2	0,0742				225	-	-	17,3	19	0,0875				250	-	5	18,2	19,9	0,1007				280	-	20	19,2	20,9	0,1166			300	-	30	19,9	21,6	0,1272		315	-	37	20,4	22,1	0,1352	355	-	57	21,8	23,5	0,1564		400	-	80	23,3	25		0,1802		560 x	450	-	105	25,3			28,3	0,2112		BFN	630 x	630	50	195				39,1	42,1	0,4292	BFN	500	-	130				26,8	29,8	0,2332	550	10	155				28,5	31,5	0,2597	560	15	160				28,8	31,8	0,2650	600	35	180				30,2	33,2	0,2862	630	50	195				31,2	34,2	0,3021	650	60	205			31,9	34,9	0,3127	700	85	230		33,6	36,6	0,3392	710	90	235	33,9	36,9	0,3445	750	110	255		35,3	38,3	0,3657	800	135		280		37	40	0,3922	560 x	900			185		330	40,4	43,4	0,4452	BFN				800	135	280	40,3	43,3	0,4514		BFN			1000	235	380	43,9	46,9	0,4982				180	-	-	16	17,7	0,0648				200	-	-	16,7	18,4	0,0756				225	-	-	17,5	19,2	0,0891			250		-	5	18,4	20,1	0,1026			280	-	20	19,4	21,1	0,1188		300	-	30	20,1	21,8	0,1296	315	-	37	20,7	22,4	0,1377	355	-	57	22	23,7	0,1593	400	-	80	23,6	25,3	0,1836																																																																																																																																																																																																																																																																																																																																																																																																																																																																																																																																																																																																																																																																																																																															
560 x	900	185	330	40,4	43,4		0,4452	BFN	800	135	280	39,1			42,1	0,4292	BFN																																																																																																																																																																																																																																																																																																																																																																																																																																																																																																																																																																																																																																																																																																																																																																																																																																																																																																																																																																																																																																																																																																																																																																																																																																																																																																																																																																																																																																																																
	1000	235	380	43,9	46,9		0,4982		180	-	-	16			17,7	0,0648		200	-	-				16,7	18,4	0,0756	225	-	-				17,5	19,2	0,0891	250	-	5				18,4	20,1	0,1026	280	-	20				19,4	21,1	0,1188	300	-	30				20,1	21,8	0,1296	315	-	37				20,7	22,4	0,1377	355	-	57			22	23,7	0,1593	400	-	80	23,6		25,3	0,1836	560 x	450	-	105	25,3	28,3	0,2112	BFN	900	185	330	42,7	45,7	0,4872	BFN	500	-	130	26,8	29,8	0,2332		550	10	155	28,5	31,5		0,2597		560	15	160	28,8			31,8	0,2650		600	35	180			30,2		33,2	0,2862	630	50	195			31,2		34,2	0,3021	650	60	205			31,9		34,9	0,3127	700	85	230			33,6		36,6	0,3392	710	90	235			33,9		36,9	0,3445	750	110	255			35,3	38,3	0,3657	800	135	280	37		40	0,3922	560 x	900	185	330	40,4	43,4	0,4452	BFN	1000	235	380	46,3	49,3	0,5452	BFN	1000	235	380	41,5	44,5	0,4512	180	-	-		15,8	17,5		0,0636	200	-	-		16,5			18,2	0,0742	225	-	-				17,3		19	0,0875	250	-	5			18,2		19,9	0,1007	280	-	20			19,2		20,9	0,1166	300	-	30			19,9		21,6	0,1272	315	-	37			20,4		22,1	0,1352	355	-	57			21,8	23,5	0,1564	400	-	80	23,3		25	0,1802	560 x	450	-	105	25,3	28,3	0,2112	BFN	600 x	630	50	195	35,5	38,5	0,3712	BF	500	-	130	26,8	29,8	0,2332	550	10	155	28,5	31,5			0,2597	560	15	160	28,8			31,8		0,2650	600	35	180		30,2			33,2	0,2862		630	50	195				31,2	34,2	0,3021	650	60	205				31,9	34,9	0,3127	700	85	230				33,6	36,6	0,3392	710	90	235				33,9	36,9	0,3445	750	110	255			35,3	38,3	0,3657	800	135	280	37	40		0,3922	560 x	900	185	330	40,4	43,4	0,4452	BFN	600 x	630	50	195	37,7	40,7	0,4002	BF	1000	235	380	43,9	46,9	0,4982	180	-	-	15,8	17,5		0,0636	200	-		-	16,5			18,2	0,0742	225	-		-			17,3		19	0,0875	250	-	5					18,2	19,9	0,1007	280	-	20				19,2	20,9	0,1166	300	-	30				19,9	21,6	0,1272	315	-	37				20,4	22,1	0,1352	355	-	57			21,8	23,5	0,1564	400	-	80	23,3	25		0,1802	560 x	450	-	105	25,3	28,3	0,2112	BFN	630 x	630	50	195	39,1	42,1	0,4292	BFN	500	-	130	26,8	29,8	0,2332	550	10	155	28,5	31,5		0,2597	560	15	160	28,8		31,8			0,2650	600	35	180			30,2	33,2			0,2862	630	50	195				31,2	34,2	0,3021		650	60	205				31,9	34,9	0,3127	700	85	230				33,6	36,6	0,3392	710	90	235				33,9	36,9	0,3445	750	110	255		35,3		38,3	0,3657	800	135	280	37	40		0,3922	560 x	900	185	330	40,4	43,4	0,4452	BFN	800	135	280	40,3	43,3	0,4514	BFN	1000	235	380	43,9	46,9	0,4982	180	-	-	16	17,7	0,0648		200	-	-	16,7	18,4		0,0756		225	-	-		17,5			19,2		0,0891	250	-	5					18,4	20,1	0,1026	280	-	20					19,4	21,1	0,1188	300	-	30				20,1	21,8	0,1296	315	-	37				20,7	22,4	0,1377	355	-	57			22	23,7	0,1593	400	-	80	23,6		25,3	0,1836																																																																																																																																																																																																																																																																																																																																																																																																																																																																																																																																																																																																																																																																																																																																																																						
	180	-	-	16	17,7		0,0648		200	-	-	16,7			18,4	0,0756		225	-	-				17,5	19,2	0,0891	250	-	5				18,4	20,1	0,1026	280	-	20				19,4	21,1	0,1188	300	-	30				20,1	21,8	0,1296	315	-	37				20,7	22,4	0,1377	355	-	57			22	23,7	0,1593	400	-	80	23,6		25,3	0,1836	560 x	450	-	105	25,3	28,3	0,2112	BFN	900		185	330	42,7	45,7	0,4872	BFN		500	-	130	26,8	29,8	0,2332		550	10	155	28,5	31,5	0,2597		560	15	160	28,8	31,8		0,2650		600	35	180	30,2			33,2	0,2862		630	50	195			31,2		34,2	0,3021	650	60	205			31,9		34,9	0,3127	700	85	230			33,6		36,6	0,3392	710	90	235			33,9		36,9	0,3445	750	110	255			35,3	38,3	0,3657	800	135	280	37		40	0,3922	560 x	900	185	330	40,4	43,4	0,4452	BFN	1000		235	380	46,3	49,3	0,5452	BFN		1000	235	380	41,5	44,5	0,4512		180	-	-	15,8	17,5	0,0636	200	-	-		16,5	18,2		0,0742	225	-	-		17,3			19	0,0875	250	-	5				18,2		19,9	0,1007	280	-	20			19,2		20,9	0,1166	300	-	30			19,9		21,6	0,1272	315	-	37			20,4		22,1	0,1352	355	-	57			21,8	23,5	0,1564	400	-	80	23,3		25	0,1802	560 x	450	-	105	25,3	28,3	0,2112	BFN	600 x		630	50	195	35,5	38,5	0,3712		BF	500	-	130	26,8	29,8	0,2332		550	10	155	28,5	31,5	0,2597	560	15	160	28,8	31,8			0,2650	600	35	180	30,2			33,2		0,2862	630	50	195		31,2			34,2	0,3021		650	60	205				31,9	34,9	0,3127	700	85	230				33,6	36,6	0,3392	710	90	235				33,9	36,9	0,3445	750	110	255			35,3	38,3	0,3657	800	135	280	37	40		0,3922	560 x	900	185	330	40,4	43,4	0,4452	BFN	600 x		630	50	195	37,7	40,7	0,4002		BF	1000	235	380	43,9	46,9	0,4982		180	-	-	15,8	17,5	0,0636	200	-	-	16,5	18,2		0,0742	225	-		-	17,3			19	0,0875	250	-		5			18,2		19,9	0,1007	280	-	20					19,2	20,9	0,1166	300	-	30				19,9	21,6	0,1272	315	-	37				20,4	22,1	0,1352	355	-	57		21,8		23,5	0,1564	400	-	80	23,3	25		0,1802	560 x	450	-	105	25,3	28,3	0,2112	BFN	630 x		630	50	195	39,1	42,1	0,4292		BFN	500	-	130	26,8	29,8	0,2332		550	10	155	28,5	31,5	0,2597	560	15	160	28,8	31,8		0,2650	600	35	180	30,2		33,2			0,2862	630	50	195			31,2	34,2			0,3021	650	60	205				31,9	34,9	0,3127		700	85	230				33,6	36,6	0,3392	710	90	235				33,9	36,9	0,3445	750	110	255		35,3		38,3	0,3657	800	135	280	37	40	0,3922		560 x	900	185	330	40,4	43,4	0,4452	BFN	800		135	280	40,3	43,3	0,4514	BFN		1000	235	380	43,9	46,9	0,4982		180	-	-	16	17,7	0,0648	200	-	-	16,7	18,4	0,0756		225	-	-	17,5	19,2		0,0891		250	-	5		18,4			20,1		0,1026	280	-	20					19,4	21,1	0,1188	300	-	30					20,1	21,8	0,1296	315	-	37				20,7	22,4	0,1377	355	-	57			22	23,7	0,1593	400	-	80	23,6		25,3	0,1836																																																																																																																																																																																																																																																																																																																																																																																																																																																																																																																																																																																																																																																																																																																																																																															
	200	-	-	16,7	18,4		0,0756		225	-	-	17,5			19,2	0,0891		250	-	5				18,4	20,1	0,1026	280	-	20				19,4	21,1	0,1188	300	-	30				20,1	21,8	0,1296	315	-	37				20,7	22,4	0,1377	355	-	57			22	23,7	0,1593	400	-	80	23,6		25,3	0,1836	560 x	450	-	105	25,3	28,3	0,2112	BFN	900		185	330	42,7	45,7	0,4872	BFN		500		-	130	26,8	29,8	0,2332			550	10	155	28,5	31,5	0,2597		560	15	160	28,8	31,8	0,2650		600	35	180	30,2	33,2		0,2862		630	50	195	31,2			34,2	0,3021		650	60	205			31,9		34,9	0,3127	700	85	230			33,6		36,6	0,3392	710	90	235			33,9		36,9	0,3445	750	110	255			35,3	38,3	0,3657	800	135	280	37		40	0,3922	560 x	900	185	330	40,4	43,4	0,4452	BFN	1000		235	380	46,3	49,3	0,5452	BFN		1000		235	380	41,5	44,5	0,4512			180	-	-	15,8	17,5	0,0636		200	-	-	16,5	18,2	0,0742	225	-	-		17,3	19		0,0875	250	-	5		18,2			19,9	0,1007	280	-	20				19,2		20,9	0,1166	300	-	30			19,9		21,6	0,1272	315	-	37			20,4		22,1	0,1352	355	-	57			21,8	23,5	0,1564	400	-	80	23,3		25	0,1802	560 x	450	-	105	25,3	28,3	0,2112	BFN	600 x		630	50	195	35,5	38,5	0,3712		BF		500	-	130	26,8	29,8	0,2332			550	10	155	28,5	31,5	0,2597		560	15	160	28,8	31,8	0,2650	600	35	180	30,2	33,2			0,2862	630	50	195	31,2			34,2		0,3021	650	60	205		31,9			34,9	0,3127		700	85	230				33,6	36,6	0,3392	710	90	235				33,9	36,9	0,3445	750	110	255			35,3	38,3	0,3657	800	135	280	37	40		0,3922	560 x	900	185	330	40,4	43,4	0,4452	BFN	600 x		630	50	195	37,7	40,7	0,4002		BF		1000	235	380	43,9	46,9	0,4982			180	-	-	15,8	17,5	0,0636		200	-	-	16,5	18,2	0,0742	225	-	-	17,3	19		0,0875	250	-		5	18,2			19,9	0,1007	280	-		20			19,2		20,9	0,1166	300	-	30					19,9	21,6	0,1272	315	-	37				20,4	22,1	0,1352	355	-	57		21,8		23,5	0,1564	400	-	80	23,3	25	0,1802		560 x	450	-	105	25,3	28,3	0,2112	BFN	630 x		630	50	195	39,1	42,1	0,4292		BFN		500	-	130	26,8	29,8	0,2332			550	10	155	28,5	31,5	0,2597		560	15	160	28,8	31,8	0,2650	600	35	180	30,2	33,2		0,2862	630	50	195	31,2		34,2			0,3021	650	60	205			31,9	34,9			0,3127	700	85	230				33,6	36,6	0,3392		710	90	235				33,9	36,9	0,3445	750	110	255		35,3		38,3	0,3657	800	135	280	37	40	0,3922		560 x	900	185	330	40,4	43,4	0,4452	BFN	800		135	280	40,3	43,3	0,4514	BFN		1000		235	380	43,9	46,9	0,4982			180	-	-	16	17,7	0,0648		200	-	-	16,7	18,4	0,0756	225	-	-	17,5	19,2	0,0891		250	-	5	18,4	20,1		0,1026		280	-	20		19,4			21,1		0,1188	300	-	30					20,1	21,8	0,1296	315	-	37					20,7	22,4	0,1377	355	-	57			22	23,7	0,1593	400	-	80	23,6		25,3	0,1836																																																																																																																																																																																																																																																																																																																																																																																																																																																																																																																																																																																																																																																																																																																																																																																								
	225	-	-	17,5	19,2		0,0891		250	-	5	18,4			20,1	0,1026		280	-	20				19,4	21,1	0,1188	300	-	30				20,1	21,8	0,1296	315	-	37				20,7	22,4	0,1377	355	-	57			22	23,7	0,1593	400	-	80	23,6		25,3	0,1836	560 x	450	-	105	25,3	28,3	0,2112	BFN	900		185	330	42,7	45,7	0,4872	BFN		500		-	130	26,8	29,8	0,2332			550		10	155	28,5	31,5	0,2597			560	15	160	28,8	31,8	0,2650		600	35	180	30,2	33,2	0,2862		630	50	195	31,2	34,2		0,3021		650	60	205	31,9			34,9	0,3127		700	85	230			33,6		36,6	0,3392	710	90	235			33,9		36,9	0,3445	750	110	255			35,3	38,3	0,3657	800	135	280	37		40	0,3922	560 x	900	185	330	40,4	43,4	0,4452	BFN	1000		235	380	46,3	49,3	0,5452	BFN		1000		235	380	41,5	44,5	0,4512			180		-	-	15,8	17,5	0,0636			200	-	-	16,5	18,2	0,0742		225	-	-	17,3	19	0,0875	250	-	5		18,2	19,9		0,1007	280	-	20		19,2			20,9	0,1166	300	-	30				19,9		21,6	0,1272	315	-	37			20,4		22,1	0,1352	355	-	57			21,8	23,5	0,1564	400	-	80	23,3		25	0,1802	560 x	450	-	105	25,3	28,3	0,2112	BFN	600 x		630	50	195	35,5	38,5	0,3712		BF		500	-	130	26,8	29,8	0,2332				550	10	155	28,5	31,5	0,2597			560	15	160	28,8	31,8	0,2650		600	35	180	30,2	33,2	0,2862	630	50	195	31,2	34,2			0,3021	650	60	205	31,9			34,9		0,3127	700	85	230		33,6			36,6	0,3392		710	90	235				33,9	36,9	0,3445	750	110	255			35,3	38,3	0,3657	800	135	280	37	40		0,3922	560 x	900	185	330	40,4	43,4	0,4452	BFN	600 x		630	50	195	37,7	40,7	0,4002		BF		1000	235	380	43,9	46,9	0,4982				180	-	-	15,8	17,5	0,0636			200	-	-	16,5	18,2	0,0742		225	-	-	17,3	19	0,0875	250	-	5	18,2	19,9		0,1007	280	-		20	19,2			20,9	0,1166	300	-		30			19,9		21,6	0,1272	315	-	37					20,4	22,1	0,1352	355	-	57		21,8		23,5	0,1564	400	-	80	23,3	25	0,1802		560 x	450	-	105	25,3	28,3	0,2112	BFN	630 x		630	50	195	39,1	42,1	0,4292		BFN		500	-	130	26,8	29,8	0,2332				550	10	155	28,5	31,5	0,2597			560	15	160	28,8	31,8	0,2650		600	35	180	30,2	33,2	0,2862	630	50	195	31,2	34,2		0,3021	650	60	205	31,9		34,9			0,3127	700	85	230			33,6	36,6			0,3392	710	90	235				33,9	36,9	0,3445		750	110	255		35,3		38,3	0,3657	800	135	280	37	40	0,3922		560 x	900	185	330	40,4	43,4	0,4452	BFN	800		135	280	40,3	43,3	0,4514	BFN		1000		235	380	43,9	46,9	0,4982			180		-	-	16	17,7	0,0648			200	-	-	16,7	18,4	0,0756		225	-	-	17,5	19,2	0,0891	250	-	5	18,4	20,1	0,1026		280	-	20	19,4	21,1		0,1188		300	-	30		20,1			21,8		0,1296	315	-	37					20,7	22,4	0,1377	355	-	57				22	23,7	0,1593	400	-	80	23,6		25,3	0,1836																																																																																																																																																																																																																																																																																																																																																																																																																																																																																																																																																																																																																																																																																																																																																																																																	
	250	-	5	18,4	20,1		0,1026		280	-	20	19,4			21,1	0,1188		300	-	30				20,1	21,8	0,1296	315	-	37				20,7	22,4	0,1377	355	-	57			22	23,7	0,1593	400	-	80	23,6		25,3	0,1836	560 x	450	-	105	25,3	28,3	0,2112	BFN	900		185	330	42,7	45,7	0,4872	BFN		500		-	130	26,8	29,8	0,2332			550		10	155	28,5	31,5	0,2597			560		15	160	28,8	31,8	0,2650			600	35	180	30,2	33,2	0,2862		630	50	195	31,2	34,2	0,3021		650	60	205	31,9	34,9		0,3127		700	85	230	33,6			36,6	0,3392		710	90	235			33,9		36,9	0,3445	750	110	255			35,3	38,3	0,3657	800	135	280	37		40	0,3922	560 x	900	185	330	40,4	43,4	0,4452	BFN	1000		235	380	46,3	49,3	0,5452	BFN		1000		235	380	41,5	44,5	0,4512			180		-	-	15,8	17,5	0,0636			200		-	-	16,5	18,2	0,0742			225	-	-	17,3	19	0,0875		250	-	5	18,2	19,9	0,1007	280	-	20		19,2	20,9		0,1166	300	-	30		19,9			21,6	0,1272	315	-	37				20,4		22,1	0,1352	355	-	57			21,8	23,5	0,1564	400	-	80	23,3		25	0,1802	560 x	450	-	105	25,3	28,3	0,2112	BFN	600 x		630	50	195	35,5	38,5	0,3712		BF		500	-	130	26,8	29,8	0,2332				550	10	155	28,5	31,5	0,2597				560	15	160	28,8	31,8	0,2650			600	35	180	30,2	33,2	0,2862		630	50	195	31,2	34,2	0,3021	650	60	205	31,9	34,9			0,3127	700	85	230	33,6			36,6		0,3392	710	90	235		33,9			36,9	0,3445		750	110	255			35,3	38,3	0,3657	800	135	280	37	40		0,3922	560 x	900	185	330	40,4	43,4	0,4452	BFN	600 x		630	50	195	37,7	40,7	0,4002		BF		1000	235	380	43,9	46,9	0,4982				180	-	-	15,8	17,5	0,0636				200	-	-	16,5	18,2	0,0742			225	-	-	17,3	19	0,0875		250	-	5	18,2	19,9	0,1007	280	-	20	19,2	20,9		0,1166	300	-		30	19,9			21,6	0,1272	315	-		37			20,4		22,1	0,1352	355	-	57			21,8		23,5	0,1564	400	-	80	23,3	25	0,1802		560 x	450	-	105	25,3	28,3	0,2112	BFN	630 x		630	50	195	39,1	42,1	0,4292		BFN		500	-	130	26,8	29,8	0,2332				550	10	155	28,5	31,5	0,2597				560	15	160	28,8	31,8	0,2650			600	35	180	30,2	33,2	0,2862		630	50	195	31,2	34,2	0,3021	650	60	205	31,9	34,9		0,3127	700	85	230	33,6		36,6			0,3392	710	90	235			33,9	36,9			0,3445	750	110	255		35,3		38,3	0,3657	800		135	280	37	40	0,3922		560 x	900	185	330	40,4	43,4	0,4452	BFN	800		135	280	40,3	43,3	0,4514	BFN		1000		235	380	43,9	46,9	0,4982			180		-	-	16	17,7	0,0648			200		-	-	16,7	18,4	0,0756			225	-	-	17,5	19,2	0,0891		250	-	5	18,4	20,1	0,1026	280	-	20	19,4	21,1	0,1188		300	-	30	20,1	21,8		0,1296		315	-	37		20,7			22,4		0,1377	355	-	57				22	23,7	0,1593	400	-	80	23,6			25,3	0,1836																																																																																																																																																																																																																																																																																																																																																																																																																																																																																																																																																																																																																																																																																																																																																																																																										
	280	-	20	19,4	21,1		0,1188		300	-	30	20,1			21,8	0,1296		315	-	37				20,7	22,4	0,1377	355	-	57			22	23,7	0,1593	400	-	80	23,6		25,3	0,1836	560 x	450	-	105	25,3	28,3	0,2112	BFN	900		185	330	42,7	45,7	0,4872	BFN		500		-	130	26,8	29,8	0,2332			550		10	155	28,5	31,5	0,2597			560		15	160	28,8	31,8	0,2650			600		35	180	30,2	33,2	0,2862			630	50	195	31,2	34,2	0,3021		650	60	205	31,9	34,9	0,3127		700	85	230	33,6	36,6		0,3392		710	90	235	33,9			36,9	0,3445		750	110	255			35,3	38,3	0,3657	800	135	280	37		40	0,3922	560 x	900	185	330	40,4	43,4	0,4452	BFN	1000		235	380	46,3	49,3	0,5452	BFN		1000		235	380	41,5	44,5	0,4512			180		-	-	15,8	17,5	0,0636			200		-	-	16,5	18,2	0,0742			225		-	-	17,3	19	0,0875			250	-	5	18,2	19,9	0,1007		280	-	20	19,2	20,9	0,1166	300	-	30		19,9	21,6		0,1272	315	-	37		20,4			22,1	0,1352	355	-	57				21,8	23,5	0,1564	400	-	80	23,3		25	0,1802	560 x	450	-	105	25,3	28,3	0,2112	BFN	600 x		630	50	195	35,5	38,5	0,3712		BF		500	-	130	26,8	29,8	0,2332				550	10	155	28,5	31,5	0,2597				560	15	160	28,8	31,8	0,2650				600	35	180	30,2	33,2	0,2862			630	50	195	31,2	34,2	0,3021		650	60	205	31,9	34,9	0,3127	700	85	230	33,6	36,6			0,3392	710	90	235	33,9			36,9		0,3445	750	110	255		35,3	38,3		0,3657	800		135	280	37	40		0,3922	560 x	900	185	330	40,4	43,4	0,4452	BFN	600 x		630	50	195	37,7	40,7	0,4002		BF		1000	235	380	43,9	46,9	0,4982				180	-	-	15,8	17,5	0,0636				200	-	-	16,5	18,2	0,0742				225	-	-	17,3	19	0,0875			250	-	5	18,2	19,9	0,1007		280	-	20	19,2	20,9	0,1166	300	-	30	19,9	21,6		0,1272	315	-		37	20,4			22,1	0,1352	355	-		57		21,8	23,5		0,1564	400	-	80	23,3		25	0,1802		560 x	450	-	105	25,3	28,3	0,2112	BFN	630 x		630	50	195	39,1	42,1	0,4292		BFN		500	-	130	26,8	29,8	0,2332				550	10	155	28,5	31,5	0,2597				560	15	160	28,8	31,8	0,2650				600	35	180	30,2	33,2	0,2862			630	50	195	31,2	34,2	0,3021		650	60	205	31,9	34,9	0,3127	700	85	230	33,6	36,6		0,3392	710	90	235	33,9		36,9			0,3445	750	110	255		35,3	38,3	0,3657			800	135	280	37	40	0,3922		560 x	900	185		330	40,4	43,4	0,4452	BFN	800		135	280	40,3	43,3	0,4514	BFN		1000		235	380	43,9	46,9	0,4982			180		-	-	16	17,7	0,0648			200		-	-	16,7	18,4	0,0756			225		-	-	17,5	19,2	0,0891			250	-	5	18,4	20,1	0,1026		280	-	20	19,4	21,1	0,1188	300	-	30	20,1	21,8	0,1296		315	-	37	20,7	22,4		0,1377		355	-	57		22		23,7	0,1593		400	-	80	23,6			25,3	0,1836																																																																																																																																																																																																																																																																																																																																																																																																																																																																																																																																																																																																																																																																																																																																																																																																																				
	300	-	30	20,1	21,8		0,1296		315	-	37	20,7			22,4	0,1377		355	-	57			22	23,7	0,1593	400	-	80	23,6		25,3	0,1836	560 x	450	-	105	25,3	28,3	0,2112	BFN	900		185	330	42,7	45,7	0,4872	BFN		500		-	130	26,8	29,8	0,2332			550		10	155	28,5	31,5	0,2597			560		15	160	28,8	31,8	0,2650			600		35	180	30,2	33,2	0,2862			630		50	195	31,2	34,2	0,3021			650	60	205	31,9	34,9	0,3127		700	85	230	33,6	36,6	0,3392		710	90	235	33,9	36,9		0,3445		750	110	255	35,3		38,3	0,3657	800		135	280	37		40	0,3922	560 x	900	185	330	40,4	43,4	0,4452	BFN	1000		235	380	46,3	49,3	0,5452	BFN		1000		235	380	41,5	44,5	0,4512			180		-	-	15,8	17,5	0,0636			200		-	-	16,5	18,2	0,0742			225		-	-	17,3	19	0,0875			250		-	5	18,2	19,9	0,1007			280	-	20	19,2	20,9	0,1166		300	-	30	19,9	21,6	0,1272	315	-	37		20,4	22,1		0,1352	355	-	57		21,8		23,5	0,1564	400	-	80	23,3			25	0,1802	560 x	450	-	105	25,3	28,3	0,2112	BFN	600 x		630	50	195	35,5	38,5	0,3712		BF		500	-	130	26,8	29,8	0,2332				550	10	155	28,5	31,5	0,2597				560	15	160	28,8	31,8	0,2650				600	35	180	30,2	33,2	0,2862				630	50	195	31,2	34,2	0,3021			650	60	205	31,9	34,9	0,3127		700	85	230	33,6	36,6	0,3392	710	90	235	33,9	36,9			0,3445	750	110	255	35,3	38,3		0,3657		800	135	280	37	40	0,3922	560 x		900	185		330	40,4	43,4	0,4452	BFN	600 x		630	50	195	37,7	40,7	0,4002		BF		1000	235	380	43,9	46,9	0,4982				180	-	-	15,8	17,5	0,0636				200	-	-	16,5	18,2	0,0742				225	-	-	17,3	19	0,0875				250	-	5	18,2	19,9	0,1007			280	-	20	19,2	20,9	0,1166		300	-	30	19,9	21,6	0,1272	315	-	37	20,4	22,1		0,1352	355	-		57	21,8	23,5		0,1564	400	-	80		23,3	25	0,1802	560 x		450	-	105	25,3	28,3		0,2112	BFN	630 x		630	50	195	39,1	42,1	0,4292		BFN		500	-	130	26,8	29,8	0,2332				550	10	155	28,5	31,5	0,2597				560	15	160	28,8	31,8	0,2650				600	35	180	30,2	33,2	0,2862				630	50	195	31,2	34,2	0,3021			650	60	205	31,9	34,9	0,3127		700	85	230	33,6	36,6	0,3392	710	90	235	33,9	36,9		0,3445	750	110	255	35,3	38,3	0,3657			800	135	280	37	40	0,3922	560 x	900			185	330	40,4	43,4	0,4452	BFN	800		135	280		40,3	43,3	0,4514	BFN		1000		235	380	43,9	46,9	0,4982			180		-	-	16	17,7	0,0648			200		-	-	16,7	18,4	0,0756			225		-	-	17,5	19,2	0,0891			250		-	5	18,4	20,1	0,1026			280	-	20	19,4	21,1	0,1188		300	-	30	20,1	21,8	0,1296	315	-	37	20,7	22,4	0,1377		355	-	57	22	23,7	0,1593	400		-	80	23,6		25,3	0,1836																																																																																																																																																																																																																																																																																																																																																																																																																																																																																																																																																																																																																																																																																																																																																																																																																															
	315	-	37	20,7	22,4		0,1377		355	-	57	22		23,7	0,1593	400		-	80	23,6		25,3	0,1836	560 x	450	-	105	25,3	28,3	0,2112	BFN	900		185	330	42,7	45,7	0,4872	BFN		500		-	130	26,8	29,8	0,2332			550		10	155	28,5	31,5	0,2597			560		15	160	28,8	31,8	0,2650			600		35	180	30,2	33,2	0,2862			630		50	195	31,2	34,2	0,3021			650		60	205	31,9	34,9	0,3127			700	85	230	33,6	36,6	0,3392		710	90	235	33,9	36,9	0,3445		750	110	255	35,3	38,3	0,3657	800		135	280	37	40	0,3922	560 x	900	185		330	40,4	43,4	0,4452	BFN	1000		235	380	46,3	49,3	0,5452	BFN		1000		235	380	41,5	44,5	0,4512			180		-	-	15,8	17,5	0,0636			200		-	-	16,5	18,2	0,0742			225		-	-	17,3	19	0,0875			250		-	5	18,2	19,9	0,1007			280		-	20	19,2	20,9	0,1166			300	-	30	19,9	21,6	0,1272		315	-	37	20,4	22,1	0,1352	355	-	57		21,8	23,5	0,1564	400	-	80	23,3		25	0,1802	560 x	450	-	105	25,3	28,3		0,2112	BFN	600 x		630	50	195	35,5	38,5	0,3712		BF		500	-	130	26,8	29,8	0,2332				550	10	155	28,5	31,5	0,2597				560	15	160	28,8	31,8	0,2650				600	35	180	30,2	33,2	0,2862				630	50	195	31,2	34,2	0,3021				650	60	205	31,9	34,9	0,3127			700	85	230	33,6	36,6	0,3392		710	90	235	33,9	36,9	0,3445	750	110	255	35,3	38,3	0,3657		800	135	280	37	40	0,3922	560 x	900		185	330	40,4	43,4	0,4452	BFN		600 x	630	50		195	37,7	40,7	0,4002		BF		1000	235	380	43,9	46,9	0,4982				180	-	-	15,8	17,5	0,0636				200	-	-	16,5	18,2	0,0742				225	-	-	17,3	19	0,0875				250	-	5	18,2	19,9	0,1007				280	-	20	19,2	20,9	0,1166			300	-	30	19,9	21,6	0,1272		315	-	37	20,4	22,1	0,1352	355	-	57	21,8	23,5	0,1564	400	-	80		23,3	25	0,1802	560 x	450	-	105	25,3		28,3	0,2112	BFN		630 x	630	50	195	39,1	42,1		0,4292		BFN		500	-	130	26,8	29,8	0,2332				550	10	155	28,5	31,5	0,2597				560	15	160	28,8	31,8	0,2650				600	35	180	30,2	33,2	0,2862				630	50	195	31,2	34,2	0,3021				650	60	205	31,9	34,9	0,3127			700	85	230	33,6	36,6	0,3392		710	90	235	33,9	36,9	0,3445	750	110	255	35,3	38,3	0,3657	800	135	280	37	40	0,3922	560 x	900		185	330	40,4	43,4	0,4452	BFN		800	135		280	40,3	43,3	0,4514	BFN		1000		235	380		43,9	46,9	0,4982			180		-	-	16	17,7	0,0648			200		-	-	16,7	18,4	0,0756			225		-	-	17,5	19,2	0,0891			250		-	5	18,4	20,1	0,1026			280		-	20	19,4	21,1	0,1188			300	-	30	20,1	21,8	0,1296		315	-	37	20,7	22,4	0,1377	355	-	57	22	23,7	0,1593	400	-	80	23,6	25,3	0,1836																																																																																																																																																																																																																																																																																																																																																																																																																																																																																																																																																																																																																																																																																																																																																																																																																																								
	355	-	57	22	23,7	0,1593	400		-	80	23,6	25,3	0,1836	560 x	450	-		105	25,3	28,3	0,2112	BFN	900		185	330	42,7	45,7	0,4872	BFN		500		-	130	26,8	29,8	0,2332			550		10	155	28,5	31,5	0,2597			560		15	160	28,8	31,8	0,2650			600		35	180	30,2	33,2	0,2862			630		50	195	31,2	34,2	0,3021			650		60	205	31,9	34,9	0,3127			700		85	230	33,6	36,6	0,3392			710	90	235	33,9	36,9	0,3445		750	110	255	35,3	38,3	0,3657	800	135	280	37	40	0,3922	560 x	900	185	330	40,4	43,4	0,4452	BFN		1000	235	380	46,3	49,3	0,5452	BFN		1000		235	380	41,5	44,5	0,4512			180		-	-	15,8	17,5	0,0636			200		-	-	16,5	18,2	0,0742			225		-	-	17,3	19	0,0875			250		-	5	18,2	19,9	0,1007			280		-	20	19,2	20,9	0,1166			300		-	30	19,9	21,6	0,1272			315	-	37	20,4	22,1	0,1352		355	-	57	21,8	23,5	0,1564	400	-	80	23,3	25	0,1802	560 x	450	-	105	25,3	28,3	0,2112	BFN		600 x	630	50	195	35,5	38,5	0,3712		BF		500	-	130	26,8	29,8	0,2332				550	10	155	28,5	31,5	0,2597				560	15	160	28,8	31,8	0,2650				600	35	180	30,2	33,2	0,2862				630	50	195	31,2	34,2	0,3021				650	60	205	31,9	34,9	0,3127				700	85	230	33,6	36,6	0,3392			710	90	235	33,9	36,9	0,3445		750	110	255	35,3	38,3	0,3657	800	135	280	37	40	0,3922	560 x	900	185	330	40,4	43,4	0,4452		BFN	600 x	630	50	195	37,7	40,7			0,4002	BF	1000	235	380	43,9	46,9	0,4982				180	-	-	15,8	17,5	0,0636				200	-	-	16,5	18,2	0,0742				225	-	-	17,3	19	0,0875				250	-	5	18,2	19,9	0,1007				280	-	20	19,2	20,9	0,1166				300	-	30	19,9	21,6	0,1272			315	-	37	20,4	22,1	0,1352		355	-	57	21,8	23,5	0,1564	400	-	80	23,3	25	0,1802	560 x	450	-	105	25,3	28,3	0,2112		BFN	630 x	630	50	195	39,1	42,1			0,4292	BFN	500	-	130	26,8	29,8	0,2332				550	10	155	28,5	31,5	0,2597				560	15	160	28,8	31,8	0,2650				600	35	180	30,2	33,2	0,2862				630	50	195	31,2	34,2	0,3021				650	60	205	31,9	34,9	0,3127				700	85	230	33,6	36,6	0,3392			710	90	235	33,9	36,9	0,3445		750	110	255	35,3	38,3	0,3657	800	135	280	37	40	0,3922	560 x	900	185	330	40,4	43,4		0,4452	BFN	800	135	280	40,3	43,3			0,4514	BFN	1000	235	380	43,9	46,9			0,4982		180	-	-	16	17,7	0,0648			200		-	-	16,7	18,4	0,0756			225		-	-	17,5	19,2	0,0891			250		-	5	18,4	20,1	0,1026			280		-	20	19,4	21,1	0,1188			300		-	30	20,1	21,8	0,1296			315	-	37	20,7	22,4	0,1377		355	-	57	22	23,7	0,1593	400	-	80	23,6	25,3	0,1836																																																																																																																																																																																																																																																																																																																																																																																																																																																																																																																																																																																																																																																																																																																																																																																																																																														
400	-	80	23,6	25,3	0,1836	560 x	450	-	105	25,3	28,3	0,2112	BFN		900	185	330	42,7	45,7	0,4872	BFN		500		-	130	26,8	29,8	0,2332			550		10	155	28,5	31,5	0,2597			560		15	160	28,8	31,8	0,2650			600		35	180	30,2	33,2	0,2862			630		50	195	31,2	34,2	0,3021			650		60	205	31,9	34,9	0,3127			700		85	230	33,6	36,6	0,3392			710		90	235	33,9	36,9	0,3445			750	110	255	35,3	38,3	0,3657		800	135	280	37	40	0,3922	560 x	900	185	330	40,4	43,4		0,4452	BFN	1000	235	380	46,3			49,3	0,5452	BFN	1000	235	380			41,5		44,5	0,4512	180	-	-			15,8		17,5	0,0636	200	-	-			16,5		18,2	0,0742	225	-	-			17,3		19	0,0875	250	-	5			18,2		19,9	0,1007	280	-	20			19,2		20,9	0,1166	300	-	30			19,9		21,6	0,1272	315	-	37			20,4	22,1	0,1352	355	-	57		21,8	23,5	0,1564	400	-	80	23,3	25	0,1802	560 x	450	-		105	25,3	28,3	0,2112	BFN	600 x			630	50	195	35,5	38,5	0,3712	BF				500	-	130	26,8	29,8	0,2332				550	10	155	28,5	31,5	0,2597				560	15	160	28,8	31,8	0,2650				600	35	180	30,2	33,2	0,2862				630	50	195	31,2	34,2	0,3021				650	60	205	31,9	34,9	0,3127				700	85	230	33,6	36,6	0,3392			710	90	235	33,9	36,9	0,3445		750	110	255	35,3	38,3	0,3657	800	135	280	37	40	0,3922		560 x	900	185	330	40,4	43,4			0,4452	BFN	600 x	630	50	195			37,7		40,7	0,4002	BF	1000	235	380				43,9	46,9	0,4982	180	-	-				15,8	17,5	0,0636	200	-	-				16,5	18,2	0,0742	225	-	-				17,3	19	0,0875	250	-	5				18,2	19,9	0,1007	280	-	20				19,2	20,9	0,1166	300	-	30			19,9	21,6	0,1272	315	-	37		20,4	22,1	0,1352	355	-	57	21,8	23,5	0,1564	400	-	80		23,3	25	0,1802	560 x	450	-			105	25,3	28,3	0,2112	BFN	630 x			630		50	195	39,1	42,1	0,4292	BFN				500	-	130	26,8	29,8	0,2332				550	10	155	28,5	31,5	0,2597				560	15	160	28,8	31,8	0,2650				600	35	180	30,2	33,2	0,2862				630	50	195	31,2	34,2	0,3021				650	60	205	31,9	34,9	0,3127			700	85	230	33,6	36,6	0,3392		710	90	235	33,9	36,9	0,3445	750	110	255	35,3	38,3	0,3657		800	135	280	37	40		0,3922		560 x	900	185	330	40,4			43,4		0,4452	BFN	800	135	280			40,3		43,3	0,4514	BFN	1000	235	380			43,9		46,9	0,4982	180	-	-			16		17,7	0,0648	200	-	-			16,7		18,4	0,0756	225	-	-			17,5		19,2	0,0891	250	-	5			18,4		20,1	0,1026	280	-	20			19,4	21,1	0,1188	300	-	30		20,1	21,8	0,1296	315	-	37	20,7	22,4	0,1377	355	-	57	22	23,7	0,1593	400	-	80	23,6	25,3	0,1836																																																																																																																																																																																																																																																																																																																																																																																																																																																																																																																																																																																																																																																																																																																																																																																																																																					
560 x	450	-	105	25,3	28,3		0,2112	BFN	900	185	330	42,7			45,7	0,4872	BFN																																																																																																																																																																																																																																																																																																																																																																																																																																																																																																																																																																																																																																																																																																																																																																																																																																																																																																																																																																																																																																																																																																																																																																																																																																																																																																																																																																																																																																																																
	500	-	130	26,8	29,8		0,2332		550	10	155	28,5			31,5	0,2597		560	15	160			28,8		31,8	0,2650	600	35	180			30,2		33,2	0,2862	630	50	195			31,2		34,2	0,3021	650	60	205			31,9		34,9	0,3127	700	85	230			33,6		36,6	0,3392	710	90	235			33,9		36,9	0,3445	750	110	255			35,3	38,3	0,3657	800	135	280	37		40	0,3922	560 x	900	185	330	40,4	43,4	0,4452	BFN	1000	235	380	46,3	49,3	0,5452	BFN	1000	235	380	41,5	44,5	0,4512		180	-	-	15,8	17,5		0,0636		200	-	-	16,5			18,2	0,0742		225	-	-			17,3		19	0,0875	250	-	5			18,2		19,9	0,1007	280	-	20			19,2		20,9	0,1166	300	-	30			19,9		21,6	0,1272	315	-	37			20,4		22,1	0,1352	355	-	57			21,8	23,5	0,1564	400	-	80	23,3		25	0,1802	560 x	450	-	105	25,3	28,3	0,2112	BFN	600 x	630	50	195	35,5	38,5	0,3712	BF	500	-	130	26,8	29,8	0,2332	550	10		155	28,5		31,5	0,2597	560	15		160			28,8	31,8	0,2650	600	35	180					30,2	33,2	0,2862	630	50	195				31,2	34,2	0,3021	650	60	205				31,9	34,9	0,3127	700	85	230				33,6	36,6	0,3392	710	90	235				33,9	36,9	0,3445	750	110	255			35,3	38,3	0,3657	800	135	280	37	40		0,3922	560 x	900	185	330	40,4	43,4	0,4452	BFN	600 x	630	50	195	37,7	40,7	0,4002	BF	1000	235	380	43,9	46,9	0,4982	180	-	-	15,8	17,5			0,0636	200	-	-	16,5			18,2		0,0742	225	-	-			17,3		19	0,0875		250	-	5				18,2	19,9	0,1007	280	-	20				19,2	20,9	0,1166	300	-	30				19,9	21,6	0,1272	315	-	37				20,4	22,1	0,1352	355	-	57			21,8	23,5	0,1564	400	-	80	23,3	25		0,1802	560 x	450	-	105	25,3	28,3	0,2112	BFN	630 x	630	50	195	39,1	42,1	0,4292	BFN	500	-	130	26,8	29,8	0,2332	550	10	155	28,5	31,5		0,2597	560	15		160	28,8			31,8	0,2650	600	35		180			30,2		33,2	0,2862	630	50	195					31,2	34,2	0,3021	650	60	205				31,9	34,9	0,3127	700	85	230				33,6	36,6	0,3392	710	90	235				33,9	36,9	0,3445	750	110	255			35,3	38,3	0,3657	800	135	280	37	40		0,3922	560 x	900	185	330	40,4	43,4	0,4452	BFN	800	135	280	40,3	43,3	0,4514	BFN	1000	235	380	43,9	46,9	0,4982	180	-	-	16	17,7	0,0648		200	-	-	16,7	18,4		0,0756			225	-	-	17,5			19,2		0,0891		250	-	5			18,4		20,1	0,1026		280	-	20			19,4		21,1	0,1188	300	-	30			20,1		21,8	0,1296	315	-	37			20,7		22,4	0,1377	355	-	57			22	23,7	0,1593	400	-	80	23,6		25,3	0,1836																																																																																																																																																																																																																																																																																																																																																																																																																																																																																																																																																																																																																																																																																																																																																																																																																																																																									
	550	10	155	28,5	31,5		0,2597		560	15	160	28,8			31,8	0,2650		600	35	180			30,2		33,2	0,2862	630	50	195			31,2		34,2	0,3021	650	60	205			31,9		34,9	0,3127	700	85	230			33,6		36,6	0,3392	710	90	235			33,9		36,9	0,3445	750	110	255			35,3	38,3	0,3657	800	135	280	37		40	0,3922	560 x	900	185	330	40,4	43,4	0,4452	BFN	1000		235	380	46,3	49,3	0,5452	BFN		1000	235	380	41,5	44,5	0,4512		180	-	-	15,8	17,5	0,0636		200	-	-	16,5	18,2		0,0742		225	-	-	17,3			19	0,0875		250	-	5			18,2		19,9	0,1007	280	-	20			19,2		20,9	0,1166	300	-	30			19,9		21,6	0,1272	315	-	37			20,4		22,1	0,1352	355	-	57			21,8	23,5	0,1564	400	-	80	23,3		25	0,1802	560 x	450	-	105	25,3	28,3	0,2112	BFN	600 x		630	50	195	35,5	38,5	0,3712		BF	500	-	130	26,8	29,8	0,2332		550	10	155	28,5	31,5	0,2597	560	15		160	28,8		31,8	0,2650	600	35		180			30,2	33,2	0,2862	630	50	195					31,2	34,2	0,3021	650	60	205				31,9	34,9	0,3127	700	85	230				33,6	36,6	0,3392	710	90	235				33,9	36,9	0,3445	750	110	255			35,3	38,3	0,3657	800	135	280	37	40		0,3922	560 x	900	185	330	40,4	43,4	0,4452	BFN	600 x		630	50	195	37,7	40,7	0,4002		BF	1000	235	380	43,9	46,9	0,4982		180	-	-	15,8	17,5	0,0636	200	-	-	16,5	18,2			0,0742	225	-	-	17,3			19		0,0875	250	-	5			18,2		19,9	0,1007		280	-	20				19,2	20,9	0,1166	300	-	30				19,9	21,6	0,1272	315	-	37				20,4	22,1	0,1352	355	-	57			21,8	23,5	0,1564	400	-	80	23,3	25		0,1802	560 x	450	-	105	25,3	28,3	0,2112	BFN	630 x		630	50	195	39,1	42,1	0,4292		BFN	500	-	130	26,8	29,8	0,2332		550	10	155	28,5	31,5	0,2597	560	15	160	28,8	31,8		0,2650	600	35		180	30,2			33,2	0,2862	630	50		195			31,2		34,2	0,3021	650	60	205					31,9	34,9	0,3127	700	85	230				33,6	36,6	0,3392	710	90	235				33,9	36,9	0,3445	750	110	255			35,3	38,3	0,3657	800	135	280	37	40		0,3922	560 x	900	185	330	40,4	43,4	0,4452	BFN	800		135	280	40,3	43,3	0,4514	BFN		1000	235	380	43,9	46,9	0,4982		180	-	-	16	17,7	0,0648	200	-	-	16,7	18,4	0,0756		225	-	-	17,5	19,2		0,0891			250	-	5	18,4			20,1		0,1026		280	-	20			19,4		21,1	0,1188		300	-	30			20,1		21,8	0,1296	315	-	37			20,7		22,4	0,1377	355	-	57			22	23,7	0,1593	400	-	80	23,6		25,3	0,1836																																																																																																																																																																																																																																																																																																																																																																																																																																																																																																																																																																																																																																																																																																																																																																																																																																																																																		
	560	15	160	28,8	31,8		0,2650		600	35	180	30,2			33,2	0,2862		630	50	195			31,2		34,2	0,3021	650	60	205			31,9		34,9	0,3127	700	85	230			33,6		36,6	0,3392	710	90	235			33,9		36,9	0,3445	750	110	255			35,3	38,3	0,3657	800	135	280	37		40	0,3922	560 x	900	185	330	40,4	43,4	0,4452	BFN	1000		235	380	46,3	49,3	0,5452	BFN		1000		235	380	41,5	44,5	0,4512			180	-	-	15,8	17,5	0,0636		200	-	-	16,5	18,2	0,0742		225	-	-	17,3	19		0,0875		250	-	5	18,2			19,9	0,1007		280	-	20			19,2		20,9	0,1166	300	-	30			19,9		21,6	0,1272	315	-	37			20,4		22,1	0,1352	355	-	57			21,8	23,5	0,1564	400	-	80	23,3		25	0,1802	560 x	450	-	105	25,3	28,3	0,2112	BFN	600 x		630	50	195	35,5	38,5	0,3712		BF		500	-	130	26,8	29,8	0,2332			550	10	155	28,5	31,5	0,2597		560	15	160	28,8	31,8	0,2650	600	35		180	30,2		33,2	0,2862	630	50		195			31,2	34,2	0,3021	650	60	205					31,9	34,9	0,3127	700	85	230				33,6	36,6	0,3392	710	90	235				33,9	36,9	0,3445	750	110	255			35,3	38,3	0,3657	800	135	280	37	40		0,3922	560 x	900	185	330	40,4	43,4	0,4452	BFN	600 x		630	50	195	37,7	40,7	0,4002		BF		1000	235	380	43,9	46,9	0,4982			180	-	-	15,8	17,5	0,0636		200	-	-	16,5	18,2	0,0742	225	-	-	17,3	19			0,0875	250	-	5	18,2			19,9		0,1007	280	-	20			19,2		20,9	0,1166		300	-	30				19,9	21,6	0,1272	315	-	37				20,4	22,1	0,1352	355	-	57			21,8	23,5	0,1564	400	-	80	23,3	25		0,1802	560 x	450	-	105	25,3	28,3	0,2112	BFN	630 x		630	50	195	39,1	42,1	0,4292		BFN		500	-	130	26,8	29,8	0,2332			550	10	155	28,5	31,5	0,2597		560	15	160	28,8	31,8	0,2650	600	35	180	30,2	33,2		0,2862	630	50		195	31,2			34,2	0,3021	650	60		205			31,9		34,9	0,3127	700	85	230					33,6	36,6	0,3392	710	90	235				33,9	36,9	0,3445	750	110	255			35,3	38,3	0,3657	800	135	280	37	40		0,3922	560 x	900	185	330	40,4	43,4	0,4452	BFN	800		135	280	40,3	43,3	0,4514	BFN		1000		235	380	43,9	46,9	0,4982			180	-	-	16	17,7	0,0648		200	-	-	16,7	18,4	0,0756	225	-	-	17,5	19,2	0,0891		250	-	5	18,4	20,1		0,1026			280	-	20	19,4			21,1		0,1188		300	-	30			20,1		21,8	0,1296		315	-	37			20,7		22,4	0,1377	355	-	57			22	23,7	0,1593	400	-	80	23,6		25,3	0,1836																																																																																																																																																																																																																																																																																																																																																																																																																																																																																																																																																																																																																																																																																																																																																																																																																																																																																											
	600	35	180	30,2	33,2		0,2862		630	50	195	31,2			34,2	0,3021		650	60	205			31,9		34,9	0,3127	700	85	230			33,6		36,6	0,3392	710	90	235			33,9		36,9	0,3445	750	110	255			35,3	38,3	0,3657	800	135	280	37		40	0,3922	560 x	900	185	330	40,4	43,4	0,4452	BFN	1000		235	380	46,3	49,3	0,5452	BFN		1000		235	380	41,5	44,5	0,4512			180		-	-	15,8	17,5	0,0636			200	-	-	16,5	18,2	0,0742		225	-	-	17,3	19	0,0875		250	-	5	18,2	19,9		0,1007		280	-	20	19,2			20,9	0,1166		300	-	30			19,9		21,6	0,1272	315	-	37			20,4		22,1	0,1352	355	-	57			21,8	23,5	0,1564	400	-	80	23,3		25	0,1802	560 x	450	-	105	25,3	28,3	0,2112	BFN	600 x		630	50	195	35,5	38,5	0,3712		BF		500	-	130	26,8	29,8	0,2332				550	10	155	28,5	31,5	0,2597			560	15	160	28,8	31,8	0,2650		600	35	180	30,2	33,2	0,2862	630	50		195	31,2		34,2	0,3021	650	60		205			31,9	34,9	0,3127	700	85	230					33,6	36,6	0,3392	710	90	235				33,9	36,9	0,3445	750	110	255			35,3	38,3	0,3657	800	135	280	37	40		0,3922	560 x	900	185	330	40,4	43,4	0,4452	BFN	600 x		630	50	195	37,7	40,7	0,4002		BF		1000	235	380	43,9	46,9	0,4982				180	-	-	15,8	17,5	0,0636			200	-	-	16,5	18,2	0,0742		225	-	-	17,3	19	0,0875	250	-	5	18,2	19,9			0,1007	280	-	20	19,2			20,9		0,1166	300	-	30			19,9		21,6	0,1272		315	-	37				20,4	22,1	0,1352	355	-	57			21,8	23,5	0,1564	400	-	80	23,3	25		0,1802	560 x	450	-	105	25,3	28,3	0,2112	BFN	630 x		630	50	195	39,1	42,1	0,4292		BFN		500	-	130	26,8	29,8	0,2332				550	10	155	28,5	31,5	0,2597			560	15	160	28,8	31,8	0,2650		600	35	180	30,2	33,2	0,2862	630	50	195	31,2	34,2		0,3021	650	60		205	31,9			34,9	0,3127	700	85		230			33,6		36,6	0,3392	710	90	235					33,9	36,9	0,3445	750	110	255			35,3	38,3	0,3657	800	135	280	37	40		0,3922	560 x	900	185	330	40,4	43,4	0,4452	BFN	800		135	280	40,3	43,3	0,4514	BFN		1000		235	380	43,9	46,9	0,4982			180		-	-	16	17,7	0,0648			200	-	-	16,7	18,4	0,0756		225	-	-	17,5	19,2	0,0891	250	-	5	18,4	20,1	0,1026		280	-	20	19,4	21,1		0,1188			300	-	30	20,1			21,8		0,1296		315	-	37			20,7		22,4	0,1377		355	-	57			22	23,7	0,1593	400	-	80	23,6		25,3	0,1836																																																																																																																																																																																																																																																																																																																																																																																																																																																																																																																																																																																																																																																																																																																																																																																																																																																																																																				
	630	50	195	31,2	34,2		0,3021		650	60	205	31,9			34,9	0,3127		700	85	230			33,6		36,6	0,3392	710	90	235			33,9		36,9	0,3445	750	110	255			35,3	38,3	0,3657	800	135	280	37		40	0,3922	560 x	900	185	330	40,4	43,4	0,4452	BFN	1000		235	380	46,3	49,3	0,5452	BFN		1000		235	380	41,5	44,5	0,4512			180		-	-	15,8	17,5	0,0636			200		-	-	16,5	18,2	0,0742			225	-	-	17,3	19	0,0875		250	-	5	18,2	19,9	0,1007		280	-	20	19,2	20,9		0,1166		300	-	30	19,9			21,6	0,1272		315	-	37			20,4		22,1	0,1352	355	-	57			21,8	23,5	0,1564	400	-	80	23,3		25	0,1802	560 x	450	-	105	25,3	28,3	0,2112	BFN	600 x		630	50	195	35,5	38,5	0,3712		BF		500	-	130	26,8	29,8	0,2332				550	10	155	28,5	31,5	0,2597				560	15	160	28,8	31,8	0,2650			600	35	180	30,2	33,2	0,2862		630	50	195	31,2	34,2	0,3021	650	60		205	31,9		34,9	0,3127	700	85		230			33,6	36,6	0,3392	710	90	235					33,9	36,9	0,3445	750	110	255			35,3	38,3	0,3657	800	135	280	37	40		0,3922	560 x	900	185	330	40,4	43,4	0,4452	BFN	600 x		630	50	195	37,7	40,7	0,4002		BF		1000	235	380	43,9	46,9	0,4982				180	-	-	15,8	17,5	0,0636				200	-	-	16,5	18,2	0,0742			225	-	-	17,3	19	0,0875		250	-	5	18,2	19,9	0,1007	280	-	20	19,2	20,9			0,1166	300	-	30	19,9			21,6		0,1272	315	-	37			20,4		22,1	0,1352		355	-	57			21,8	23,5	0,1564	400	-	80	23,3	25		0,1802	560 x	450	-	105	25,3	28,3	0,2112	BFN	630 x		630	50	195	39,1	42,1	0,4292		BFN		500	-	130	26,8	29,8	0,2332				550	10	155	28,5	31,5	0,2597				560	15	160	28,8	31,8	0,2650			600	35	180	30,2	33,2	0,2862		630	50	195	31,2	34,2	0,3021	650	60	205	31,9	34,9		0,3127	700	85		230	33,6			36,6	0,3392	710	90		235			33,9		36,9	0,3445	750	110	255				35,3	38,3	0,3657	800	135	280	37	40		0,3922	560 x	900	185	330	40,4	43,4	0,4452	BFN	800		135	280	40,3	43,3	0,4514	BFN		1000		235	380	43,9	46,9	0,4982			180		-	-	16	17,7	0,0648			200		-	-	16,7	18,4	0,0756			225	-	-	17,5	19,2	0,0891		250	-	5	18,4	20,1	0,1026	280	-	20	19,4	21,1	0,1188		300	-	30	20,1	21,8		0,1296			315	-	37	20,7			22,4		0,1377		355	-	57			22	23,7	0,1593	400		-	80	23,6		25,3	0,1836																																																																																																																																																																																																																																																																																																																																																																																																																																																																																																																																																																																																																																																																																																																																																																																																																																																																																																													
	650	60	205	31,9	34,9		0,3127		700	85	230	33,6			36,6	0,3392		710	90	235			33,9		36,9	0,3445	750	110	255			35,3	38,3	0,3657	800	135	280	37		40	0,3922	560 x	900	185	330	40,4	43,4	0,4452	BFN	1000		235	380	46,3	49,3	0,5452	BFN		1000		235	380	41,5	44,5	0,4512			180		-	-	15,8	17,5	0,0636			200		-	-	16,5	18,2	0,0742			225		-	-	17,3	19	0,0875			250	-	5	18,2	19,9	0,1007		280	-	20	19,2	20,9	0,1166		300	-	30	19,9	21,6		0,1272		315	-	37	20,4			22,1	0,1352		355	-	57			21,8	23,5	0,1564	400	-	80	23,3		25	0,1802	560 x	450	-	105	25,3	28,3	0,2112	BFN	600 x		630	50	195	35,5	38,5	0,3712		BF		500	-	130	26,8	29,8	0,2332				550	10	155	28,5	31,5	0,2597				560	15	160	28,8	31,8	0,2650				600	35	180	30,2	33,2	0,2862			630	50	195	31,2	34,2	0,3021		650	60	205	31,9	34,9	0,3127	700	85		230	33,6		36,6	0,3392	710	90		235			33,9	36,9	0,3445	750	110	255				35,3	38,3	0,3657	800	135	280	37	40		0,3922	560 x	900	185	330	40,4	43,4	0,4452	BFN	600 x		630	50	195	37,7	40,7	0,4002		BF		1000	235	380	43,9	46,9	0,4982				180	-	-	15,8	17,5	0,0636				200	-	-	16,5	18,2	0,0742				225	-	-	17,3	19	0,0875			250	-	5	18,2	19,9	0,1007		280	-	20	19,2	20,9	0,1166	300	-	30	19,9	21,6			0,1272	315	-	37	20,4			22,1		0,1352	355	-	57		21,8	23,5		0,1564	400		-	80	23,3	25		0,1802	560 x	450	-	105	25,3	28,3	0,2112	BFN	630 x		630	50	195	39,1	42,1	0,4292		BFN		500	-	130	26,8	29,8	0,2332				550	10	155	28,5	31,5	0,2597				560	15	160	28,8	31,8	0,2650				600	35	180	30,2	33,2	0,2862			630	50	195	31,2	34,2	0,3021		650	60	205	31,9	34,9	0,3127	700	85	230	33,6	36,6		0,3392	710	90		235	33,9			36,9	0,3445	750	110		255		35,3	38,3		0,3657	800	135	280	37		40		0,3922	560 x	900	185	330	40,4	43,4	0,4452	BFN	800		135	280	40,3	43,3	0,4514	BFN		1000		235	380	43,9	46,9	0,4982			180		-	-	16	17,7	0,0648			200		-	-	16,7	18,4	0,0756			225		-	-	17,5	19,2	0,0891			250	-	5	18,4	20,1	0,1026		280	-	20	19,4	21,1	0,1188	300	-	30	20,1	21,8	0,1296		315	-	37	20,7	22,4		0,1377			355	-	57	22		23,7	0,1593		400		-	80	23,6		25,3	0,1836																																																																																																																																																																																																																																																																																																																																																																																																																																																																																																																																																																																																																																																																																																																																																																																																																																																																																																																							
	700	85	230	33,6	36,6		0,3392		710	90	235	33,9			36,9	0,3445		750	110	255			35,3	38,3	0,3657	800	135	280	37		40	0,3922	560 x	900	185	330	40,4	43,4	0,4452	BFN	1000		235	380	46,3	49,3	0,5452	BFN		1000		235	380	41,5	44,5	0,4512			180		-	-	15,8	17,5	0,0636			200		-	-	16,5	18,2	0,0742			225		-	-	17,3	19	0,0875			250		-	5	18,2	19,9	0,1007			280	-	20	19,2	20,9	0,1166		300	-	30	19,9	21,6	0,1272		315	-	37	20,4	22,1		0,1352		355	-	57	21,8		23,5	0,1564	400		-	80	23,3		25	0,1802	560 x	450	-	105	25,3	28,3	0,2112	BFN	600 x		630	50	195	35,5	38,5	0,3712		BF		500	-	130	26,8	29,8	0,2332				550	10	155	28,5	31,5	0,2597				560	15	160	28,8	31,8	0,2650				600	35	180	30,2	33,2	0,2862				630	50	195	31,2	34,2	0,3021			650	60	205	31,9	34,9	0,3127		700	85	230	33,6	36,6	0,3392	710	90		235	33,9		36,9	0,3445	750	110		255		35,3	38,3	0,3657	800	135	280	37		40		0,3922	560 x	900	185	330	40,4	43,4	0,4452	BFN	600 x		630	50	195	37,7	40,7	0,4002		BF		1000	235	380	43,9	46,9	0,4982				180	-	-	15,8	17,5	0,0636				200	-	-	16,5	18,2	0,0742				225	-	-	17,3	19	0,0875				250	-	5	18,2	19,9	0,1007			280	-	20	19,2	20,9	0,1166		300	-	30	19,9	21,6	0,1272	315	-	37	20,4	22,1			0,1352	355	-	57	21,8	23,5		0,1564		400	-	80	23,3	25	0,1802	560 x		450	-		105	25,3	28,3	0,2112	BFN	630 x		630	50	195	39,1	42,1	0,4292		BFN		500	-	130	26,8	29,8	0,2332				550	10	155	28,5	31,5	0,2597				560	15	160	28,8	31,8	0,2650				600	35	180	30,2	33,2	0,2862				630	50	195	31,2	34,2	0,3021			650	60	205	31,9	34,9	0,3127		700	85	230	33,6	36,6	0,3392	710	90	235	33,9	36,9		0,3445	750	110		255	35,3	38,3		0,3657	800	135	280		37	40	0,3922	560 x		900	185	330	40,4	43,4		0,4452	BFN	800		135	280	40,3	43,3	0,4514	BFN		1000		235	380	43,9	46,9	0,4982			180		-	-	16	17,7	0,0648			200		-	-	16,7	18,4	0,0756			225		-	-	17,5	19,2	0,0891			250		-	5	18,4	20,1	0,1026			280	-	20	19,4	21,1	0,1188		300	-	30	20,1	21,8	0,1296	315	-	37	20,7	22,4	0,1377		355	-	57	22	23,7	0,1593	400			-	80	23,6	25,3	0,1836																																																																																																																																																																																																																																																																																																																																																																																																																																																																																																																																																																																																																																																																																																																																																																																																																																																																																																																																		
	710	90	235	33,9	36,9		0,3445		750	110	255	35,3		38,3	0,3657	800		135	280	37		40	0,3922	560 x	900	185	330	40,4	43,4	0,4452	BFN	1000		235	380	46,3	49,3	0,5452	BFN		1000		235	380	41,5	44,5	0,4512			180		-	-	15,8	17,5	0,0636			200		-	-	16,5	18,2	0,0742			225		-	-	17,3	19	0,0875			250		-	5	18,2	19,9	0,1007			280		-	20	19,2	20,9	0,1166			300	-	30	19,9	21,6	0,1272		315	-	37	20,4	22,1	0,1352		355	-	57	21,8	23,5	0,1564	400		-	80	23,3	25	0,1802	560 x	450	-		105	25,3	28,3	0,2112	BFN	600 x		630	50	195	35,5	38,5	0,3712		BF		500	-	130	26,8	29,8	0,2332				550	10	155	28,5	31,5	0,2597				560	15	160	28,8	31,8	0,2650				600	35	180	30,2	33,2	0,2862				630	50	195	31,2	34,2	0,3021				650	60	205	31,9	34,9	0,3127			700	85	230	33,6	36,6	0,3392		710	90	235	33,9	36,9	0,3445	750	110		255	35,3	38,3	0,3657	800	135	280		37	40	0,3922	560 x	900	185	330	40,4	43,4		0,4452	BFN	600 x		630	50	195	37,7	40,7	0,4002		BF		1000	235	380	43,9	46,9	0,4982				180	-	-	15,8	17,5	0,0636				200	-	-	16,5	18,2	0,0742				225	-	-	17,3	19	0,0875				250	-	5	18,2	19,9	0,1007				280	-	20	19,2	20,9	0,1166			300	-	30	19,9	21,6	0,1272		315	-	37	20,4	22,1	0,1352	355	-	57	21,8	23,5	0,1564		400	-	80	23,3	25	0,1802	560 x	450		-	105	25,3	28,3	0,2112	BFN		630 x	630	50		195	39,1	42,1	0,4292		BFN		500	-	130	26,8	29,8	0,2332				550	10	155	28,5	31,5	0,2597				560	15	160	28,8	31,8	0,2650				600	35	180	30,2	33,2	0,2862				630	50	195	31,2	34,2	0,3021				650	60	205	31,9	34,9	0,3127			700	85	230	33,6	36,6	0,3392		710	90	235	33,9	36,9	0,3445	750	110	255	35,3	38,3	0,3657	800	135	280		37	40	0,3922	560 x	900	185	330	40,4		43,4	0,4452	BFN		800	135	280	40,3	43,3	0,4514		BFN		1000		235	380	43,9	46,9	0,4982			180		-	-	16	17,7	0,0648			200		-	-	16,7	18,4	0,0756			225		-	-	17,5	19,2	0,0891			250		-	5	18,4	20,1	0,1026			280		-	20	19,4	21,1	0,1188			300	-	30	20,1	21,8	0,1296		315	-	37	20,7	22,4	0,1377	355	-	57	22	23,7	0,1593	400	-	80	23,6	25,3	0,1836																																																																																																																																																																																																																																																																																																																																																																																																																																																																																																																																																																																																																																																																																																																																																																																																																																																																																																																																											
	750	110	255	35,3	38,3	0,3657	800		135	280	37	40	0,3922	560 x	900	185		330	40,4	43,4	0,4452	BFN	1000		235	380	46,3	49,3	0,5452	BFN		1000		235	380	41,5	44,5	0,4512			180		-	-	15,8	17,5	0,0636			200		-	-	16,5	18,2	0,0742			225		-	-	17,3	19	0,0875			250		-	5	18,2	19,9	0,1007			280		-	20	19,2	20,9	0,1166			300		-	30	19,9	21,6	0,1272			315	-	37	20,4	22,1	0,1352		355	-	57	21,8	23,5	0,1564	400	-	80	23,3	25	0,1802	560 x	450	-	105	25,3	28,3	0,2112	BFN		600 x	630	50	195	35,5	38,5	0,3712		BF		500	-	130	26,8	29,8	0,2332				550	10	155	28,5	31,5	0,2597				560	15	160	28,8	31,8	0,2650				600	35	180	30,2	33,2	0,2862				630	50	195	31,2	34,2	0,3021				650	60	205	31,9	34,9	0,3127				700	85	230	33,6	36,6	0,3392			710	90	235	33,9	36,9	0,3445		750	110	255	35,3	38,3	0,3657	800	135	280	37	40	0,3922	560 x	900	185	330	40,4	43,4	0,4452	BFN		600 x	630	50	195	37,7	40,7	0,4002		BF		1000	235	380	43,9	46,9	0,4982				180	-	-	15,8	17,5	0,0636				200	-	-	16,5	18,2	0,0742				225	-	-	17,3	19	0,0875				250	-	5	18,2	19,9	0,1007				280	-	20	19,2	20,9	0,1166				300	-	30	19,9	21,6	0,1272			315	-	37	20,4	22,1	0,1352		355	-	57	21,8	23,5	0,1564	400	-	80	23,3	25	0,1802	560 x	450	-	105	25,3	28,3	0,2112		BFN	630 x	630	50	195	39,1	42,1			0,4292	BFN	500	-	130	26,8	29,8	0,2332				550	10	155	28,5	31,5	0,2597				560	15	160	28,8	31,8	0,2650				600	35	180	30,2	33,2	0,2862				630	50	195	31,2	34,2	0,3021				650	60	205	31,9	34,9	0,3127				700	85	230	33,6	36,6	0,3392			710	90	235	33,9	36,9	0,3445		750	110	255	35,3	38,3	0,3657	800	135	280	37	40	0,3922	560 x	900	185	330	40,4	43,4	0,4452		BFN	800	135	280	40,3	43,3	0,4514			BFN	1000	235	380	43,9	46,9	0,4982			180		-	-	16	17,7	0,0648			200		-	-	16,7	18,4	0,0756			225		-	-	17,5	19,2	0,0891			250		-	5	18,4	20,1	0,1026			280		-	20	19,4	21,1	0,1188			300		-	30	20,1	21,8	0,1296			315	-	37	20,7	22,4	0,1377		355	-	57	22	23,7	0,1593	400	-	80	23,6	25,3	0,1836																																																																																																																																																																																																																																																																																																																																																																																																																																																																																																																																																																																																																																																																																																																																																																																																																																																																																																																																																	
800	135	280	37	40	0,3922	560 x	900	185	330	40,4	43,4	0,4452	BFN		1000	235	380	46,3	49,3	0,5452	BFN		1000		235	380	41,5	44,5	0,4512			180		-	-	15,8	17,5	0,0636			200		-	-	16,5	18,2	0,0742			225		-	-	17,3	19	0,0875			250		-	5	18,2	19,9	0,1007			280		-	20	19,2	20,9	0,1166			300		-	30	19,9	21,6	0,1272			315		-	37	20,4	22,1	0,1352			355	-	57	21,8	23,5	0,1564		400	-	80	23,3	25	0,1802	560 x	450	-	105	25,3	28,3		0,2112	BFN	600 x	630	50	195			35,5	38,5	0,3712	BF	500	-	130				26,8	29,8	0,2332	550	10	155				28,5	31,5	0,2597	560	15	160				28,8	31,8	0,2650	600	35	180				30,2	33,2	0,2862	630	50	195				31,2	34,2	0,3021	650	60	205				31,9	34,9	0,3127	700	85	230				33,6	36,6	0,3392	710	90	235			33,9	36,9	0,3445	750	110	255		35,3	38,3	0,3657	800	135	280	37	40	0,3922	560 x	900	185		330	40,4	43,4	0,4452	BFN	600 x			630	50	195	37,7	40,7	0,4002	BF				1000	235	380	43,9	46,9	0,4982				180	-	-	15,8	17,5	0,0636				200	-	-	16,5	18,2	0,0742				225	-	-	17,3	19	0,0875				250	-	5	18,2	19,9	0,1007				280	-	20	19,2	20,9	0,1166				300	-	30	19,9	21,6	0,1272			315	-	37	20,4	22,1	0,1352		355	-	57	21,8	23,5	0,1564	400	-	80	23,3	25	0,1802		560 x	450	-	105	25,3	28,3			0,2112	BFN	630 x	630	50	195			39,1		42,1	0,4292	BFN	500	-	130				26,8	29,8	0,2332	550	10	155				28,5	31,5	0,2597	560	15	160				28,8	31,8	0,2650	600	35	180				30,2	33,2	0,2862	630	50	195				31,2	34,2	0,3021	650	60	205				31,9	34,9	0,3127	700	85	230			33,6	36,6	0,3392	710	90	235		33,9	36,9	0,3445	750	110	255	35,3	38,3	0,3657	800	135	280		37	40	0,3922	560 x	900	185			330	40,4	43,4	0,4452	BFN	800				135	280	40,3	43,3	0,4514	BFN			1000		235	380	43,9	46,9	0,4982			180		-	-	16	17,7	0,0648			200		-	-	16,7	18,4	0,0756			225		-	-	17,5	19,2	0,0891			250		-	5	18,4	20,1	0,1026			280		-	20	19,4	21,1	0,1188			300	-	30	20,1	21,8	0,1296		315	-	37	20,7	22,4	0,1377	355	-	57	22	23,7	0,1593	400	-	80	23,6	25,3	0,1836																																																																																																																																																																																																																																																																																																																																																																																																																																																																																																																																																																																																																																																																																																																																																																																																																																																																																																																																											
560 x	900	185	330	40,4	43,4		0,4452	BFN	1000	235	380	46,3			49,3	0,5452	BFN																																																																																																																																																																																																																																																																																																																																																																																																																																																																																																																																																																																																																																																																																																																																																																																																																																																																																																																																																																																																																																																																																																																																																																																																																																																																																																																																																																																																																																																																
	1000	235	380	41,5	44,5		0,4512		180	-	-	15,8			17,5	0,0636		200	-	-			16,5		18,2	0,0742	225	-	-			17,3		19	0,0875	250	-	5			18,2		19,9	0,1007	280	-	20			19,2		20,9	0,1166	300	-	30			19,9		21,6	0,1272	315	-	37			20,4		22,1	0,1352	355	-	57			21,8	23,5	0,1564	400	-	80	23,3		25	0,1802	560 x	450	-	105	25,3	28,3	0,2112	BFN	600 x	630	50	195	35,5	38,5	0,3712	BF	500	-	130	26,8	29,8		0,2332	550	10	155	28,5		31,5		0,2597	560	15	160			28,8	31,8	0,2650		600	35	180				30,2	33,2	0,2862	630	50	195				31,2	34,2	0,3021	650	60	205				31,9	34,9	0,3127	700	85	230				33,6	36,6	0,3392	710	90	235				33,9	36,9	0,3445	750	110	255			35,3	38,3	0,3657	800	135	280	37	40		0,3922	560 x	900	185	330	40,4	43,4	0,4452	BFN	600 x	630	50	195	37,7	40,7	0,4002	BF	1000	235	380	43,9	46,9	0,4982	180	-		-	15,8		17,5	0,0636	200	-		-			16,5	18,2	0,0742	225	-	-					17,3	19	0,0875	250	-	5				18,2	19,9	0,1007	280	-	20				19,2	20,9	0,1166	300	-	30				19,9	21,6	0,1272	315	-	37				20,4	22,1	0,1352	355	-	57			21,8	23,5	0,1564	400	-	80	23,3	25		0,1802	560 x	450	-	105	25,3	28,3	0,2112	BFN	630 x	630	50	195	39,1	42,1	0,4292	BFN	500	-	130	26,8	29,8	0,2332	550	10	155	28,5	31,5			0,2597	560	15	160	28,8			31,8		0,2650	600	35	180			30,2		33,2	0,2862		630	50	195				31,2	34,2	0,3021	650	60	205				31,9	34,9	0,3127	700	85	230				33,6	36,6	0,3392	710	90	235				33,9	36,9	0,3445	750	110	255			35,3	38,3	0,3657	800	135	280	37	40		0,3922	560 x	900	185	330	40,4	43,4	0,4452	BFN	800	135	280	40,3	43,3	0,4514	BFN	1000	235	380	43,9	46,9	0,4982	180	-	-	16	17,7	0,0648		200	-	-		16,7	18,4			0,0756	225	-	-		17,5				19,2	0,0891	250	-	5				18,4		20,1	0,1026	280	-	20			19,4		21,1	0,1188	300	-	30			20,1		21,8	0,1296	315	-	37			20,7		22,4	0,1377	355	-	57			22	23,7	0,1593	400	-	80	23,6		25,3	0,1836																																																																																																																																																																																																																																																																																																																																																																																																																																																																																																																																																																																																																																																																																																																																																																																																																																																																																																																																																																												
	180	-	-	15,8	17,5		0,0636		200	-	-	16,5			18,2	0,0742		225	-	-			17,3		19	0,0875	250	-	5			18,2		19,9	0,1007	280	-	20			19,2		20,9	0,1166	300	-	30			19,9		21,6	0,1272	315	-	37			20,4		22,1	0,1352	355	-	57			21,8	23,5	0,1564	400	-	80	23,3		25	0,1802	560 x	450	-	105	25,3	28,3	0,2112	BFN	600 x		630	50	195	35,5	38,5	0,3712		BF	500	-	130	26,8	29,8	0,2332		550	10	155	28,5	31,5		0,2597	560	15	160	28,8		31,8		0,2650	600	35	180			30,2	33,2	0,2862		630	50	195				31,2	34,2	0,3021	650	60	205				31,9	34,9	0,3127	700	85	230				33,6	36,6	0,3392	710	90	235				33,9	36,9	0,3445	750	110	255			35,3	38,3	0,3657	800	135	280	37	40		0,3922	560 x	900	185	330	40,4	43,4	0,4452	BFN	600 x		630	50	195	37,7	40,7	0,4002		BF	1000	235	380	43,9	46,9	0,4982		180	-	-	15,8	17,5	0,0636	200	-		-	16,5		18,2	0,0742	225	-		-			17,3	19	0,0875	250	-	5					18,2	19,9	0,1007	280	-	20				19,2	20,9	0,1166	300	-	30				19,9	21,6	0,1272	315	-	37				20,4	22,1	0,1352	355	-	57			21,8	23,5	0,1564	400	-	80	23,3	25		0,1802	560 x	450	-	105	25,3	28,3	0,2112	BFN	630 x		630	50	195	39,1	42,1	0,4292		BFN	500	-	130	26,8	29,8	0,2332		550	10	155	28,5	31,5	0,2597	560	15	160	28,8	31,8			0,2650	600	35	180	30,2			33,2		0,2862	630	50	195			31,2		34,2	0,3021		650	60	205				31,9	34,9	0,3127	700	85	230				33,6	36,6	0,3392	710	90	235				33,9	36,9	0,3445	750	110	255			35,3	38,3	0,3657	800	135	280	37	40		0,3922	560 x	900	185	330	40,4	43,4	0,4452	BFN	800		135	280	40,3	43,3	0,4514	BFN		1000	235	380	43,9	46,9	0,4982		180	-	-	16	17,7	0,0648	200	-	-	16,7	18,4	0,0756		225	-	-		17,5	19,2			0,0891	250	-	5		18,4				20,1	0,1026	280	-	20				19,4		21,1	0,1188	300	-	30			20,1		21,8	0,1296	315	-	37			20,7		22,4	0,1377	355	-	57			22	23,7	0,1593	400	-	80	23,6		25,3	0,1836																																																																																																																																																																																																																																																																																																																																																																																																																																																																																																																																																																																																																																																																																																																																																																																																																																																																																																																																																																																					
	200	-	-	16,5	18,2		0,0742		225	-	-	17,3			19	0,0875		250	-	5			18,2		19,9	0,1007	280	-	20			19,2		20,9	0,1166	300	-	30			19,9		21,6	0,1272	315	-	37			20,4		22,1	0,1352	355	-	57			21,8	23,5	0,1564	400	-	80	23,3		25	0,1802	560 x	450	-	105	25,3	28,3	0,2112	BFN	600 x		630	50	195	35,5	38,5	0,3712		BF		500	-	130	26,8	29,8	0,2332			550	10	155	28,5	31,5	0,2597		560	15	160	28,8	31,8		0,2650	600	35	180	30,2		33,2		0,2862	630	50	195			31,2	34,2	0,3021		650	60	205				31,9	34,9	0,3127	700	85	230				33,6	36,6	0,3392	710	90	235				33,9	36,9	0,3445	750	110	255			35,3	38,3	0,3657	800	135	280	37	40		0,3922	560 x	900	185	330	40,4	43,4	0,4452	BFN	600 x		630	50	195	37,7	40,7	0,4002		BF		1000	235	380	43,9	46,9	0,4982			180	-	-	15,8	17,5	0,0636		200	-	-	16,5	18,2	0,0742	225	-		-	17,3		19	0,0875	250	-		5			18,2	19,9	0,1007	280	-	20					19,2	20,9	0,1166	300	-	30				19,9	21,6	0,1272	315	-	37				20,4	22,1	0,1352	355	-	57			21,8	23,5	0,1564	400	-	80	23,3	25		0,1802	560 x	450	-	105	25,3	28,3	0,2112	BFN	630 x		630	50	195	39,1	42,1	0,4292		BFN		500	-	130	26,8	29,8	0,2332			550	10	155	28,5	31,5	0,2597		560	15	160	28,8	31,8	0,2650	600	35	180	30,2	33,2			0,2862	630	50	195	31,2			34,2		0,3021	650	60	205			31,9		34,9	0,3127		700	85	230				33,6	36,6	0,3392	710	90	235				33,9	36,9	0,3445	750	110	255			35,3	38,3	0,3657	800	135	280	37	40		0,3922	560 x	900	185	330	40,4	43,4	0,4452	BFN	800		135	280	40,3	43,3	0,4514	BFN		1000		235	380	43,9	46,9	0,4982			180	-	-	16	17,7	0,0648		200	-	-	16,7	18,4	0,0756	225	-	-	17,5	19,2	0,0891		250	-	5		18,4	20,1			0,1026	280	-	20		19,4				21,1	0,1188	300	-	30				20,1		21,8	0,1296	315	-	37			20,7		22,4	0,1377	355	-	57			22	23,7	0,1593	400	-	80	23,6		25,3	0,1836																																																																																																																																																																																																																																																																																																																																																																																																																																																																																																																																																																																																																																																																																																																																																																																																																																																																																																																																																																																														
	225	-	-	17,3	19		0,0875		250	-	5	18,2			19,9	0,1007		280	-	20			19,2		20,9	0,1166	300	-	30			19,9		21,6	0,1272	315	-	37			20,4		22,1	0,1352	355	-	57			21,8	23,5	0,1564	400	-	80	23,3		25	0,1802	560 x	450	-	105	25,3	28,3	0,2112	BFN	600 x		630	50	195	35,5	38,5	0,3712		BF		500	-	130	26,8	29,8	0,2332				550	10	155	28,5	31,5	0,2597			560	15	160	28,8	31,8	0,2650		600	35	180	30,2	33,2		0,2862	630	50	195	31,2		34,2		0,3021	650	60	205			31,9	34,9	0,3127		700	85	230				33,6	36,6	0,3392	710	90	235				33,9	36,9	0,3445	750	110	255			35,3	38,3	0,3657	800	135	280	37	40		0,3922	560 x	900	185	330	40,4	43,4	0,4452	BFN	600 x		630	50	195	37,7	40,7	0,4002		BF		1000	235	380	43,9	46,9	0,4982				180	-	-	15,8	17,5	0,0636			200	-	-	16,5	18,2	0,0742		225	-	-	17,3	19	0,0875	250	-		5	18,2		19,9	0,1007	280	-		20			19,2	20,9	0,1166	300	-	30					19,9	21,6	0,1272	315	-	37				20,4	22,1	0,1352	355	-	57			21,8	23,5	0,1564	400	-	80	23,3	25		0,1802	560 x	450	-	105	25,3	28,3	0,2112	BFN	630 x		630	50	195	39,1	42,1	0,4292		BFN		500	-	130	26,8	29,8	0,2332				550	10	155	28,5	31,5	0,2597			560	15	160	28,8	31,8	0,2650		600	35	180	30,2	33,2	0,2862	630	50	195	31,2	34,2			0,3021	650	60	205	31,9			34,9		0,3127	700	85	230			33,6		36,6	0,3392		710	90	235				33,9	36,9	0,3445	750	110	255			35,3	38,3	0,3657	800	135	280	37	40		0,3922	560 x	900	185	330	40,4	43,4	0,4452	BFN	800		135	280	40,3	43,3	0,4514	BFN		1000		235	380	43,9	46,9	0,4982			180		-	-	16	17,7	0,0648			200	-	-	16,7	18,4	0,0756		225	-	-	17,5	19,2	0,0891	250	-	5	18,4	20,1	0,1026		280	-	20		19,4	21,1			0,1188	300	-	30		20,1				21,8	0,1296	315	-	37				20,7		22,4	0,1377	355	-	57			22	23,7	0,1593	400	-	80	23,6		25,3	0,1836																																																																																																																																																																																																																																																																																																																																																																																																																																																																																																																																																																																																																																																																																																																																																																																																																																																																																																																																																																																																							
	250	-	5	18,2	19,9		0,1007		280	-	20	19,2			20,9	0,1166		300	-	30			19,9		21,6	0,1272	315	-	37			20,4		22,1	0,1352	355	-	57			21,8	23,5	0,1564	400	-	80	23,3		25	0,1802	560 x	450	-	105	25,3	28,3	0,2112	BFN	600 x		630	50	195	35,5	38,5	0,3712		BF		500	-	130	26,8	29,8	0,2332				550	10	155	28,5	31,5	0,2597				560	15	160	28,8	31,8	0,2650			600	35	180	30,2	33,2	0,2862		630	50	195	31,2	34,2		0,3021	650	60	205	31,9		34,9		0,3127	700	85	230			33,6	36,6	0,3392		710	90	235				33,9	36,9	0,3445	750	110	255			35,3	38,3	0,3657	800	135	280	37	40		0,3922	560 x	900	185	330	40,4	43,4	0,4452	BFN	600 x		630	50	195	37,7	40,7	0,4002		BF		1000	235	380	43,9	46,9	0,4982				180	-	-	15,8	17,5	0,0636				200	-	-	16,5	18,2	0,0742			225	-	-	17,3	19	0,0875		250	-	5	18,2	19,9	0,1007	280	-		20	19,2		20,9	0,1166	300	-		30			19,9	21,6	0,1272	315	-	37					20,4	22,1	0,1352	355	-	57			21,8	23,5	0,1564	400	-	80	23,3	25		0,1802	560 x	450	-	105	25,3	28,3	0,2112	BFN	630 x		630	50	195	39,1	42,1	0,4292		BFN		500	-	130	26,8	29,8	0,2332				550	10	155	28,5	31,5	0,2597				560	15	160	28,8	31,8	0,2650			600	35	180	30,2	33,2	0,2862		630	50	195	31,2	34,2	0,3021	650	60	205	31,9	34,9			0,3127	700	85	230	33,6			36,6		0,3392	710	90	235			33,9		36,9	0,3445		750	110	255			35,3	38,3	0,3657	800	135	280	37	40		0,3922	560 x	900	185	330	40,4	43,4	0,4452	BFN	800		135	280	40,3	43,3	0,4514	BFN		1000		235	380	43,9	46,9	0,4982			180		-	-	16	17,7	0,0648			200		-	-	16,7	18,4	0,0756			225	-	-	17,5	19,2	0,0891		250	-	5	18,4	20,1	0,1026	280	-	20	19,4	21,1	0,1188		300	-	30		20,1	21,8			0,1296	315	-	37		20,7				22,4	0,1377	355	-	57				22	23,7	0,1593	400	-	80	23,6		25,3	0,1836																																																																																																																																																																																																																																																																																																																																																																																																																																																																																																																																																																																																																																																																																																																																																																																																																																																																																																																																																																																																																
	280	-	20	19,2	20,9		0,1166		300	-	30	19,9			21,6	0,1272		315	-	37			20,4		22,1	0,1352	355	-	57			21,8	23,5	0,1564	400	-	80	23,3		25	0,1802	560 x	450	-	105	25,3	28,3	0,2112	BFN	600 x		630	50	195	35,5	38,5	0,3712		BF		500	-	130	26,8	29,8	0,2332				550	10	155	28,5	31,5	0,2597				560	15	160	28,8	31,8	0,2650				600	35	180	30,2	33,2	0,2862			630	50	195	31,2	34,2	0,3021		650	60	205	31,9	34,9		0,3127	700	85	230	33,6		36,6		0,3392	710	90	235			33,9	36,9	0,3445		750	110	255			35,3	38,3	0,3657	800	135	280	37	40		0,3922	560 x	900	185	330	40,4	43,4	0,4452	BFN	600 x		630	50	195	37,7	40,7	0,4002		BF		1000	235	380	43,9	46,9	0,4982				180	-	-	15,8	17,5	0,0636				200	-	-	16,5	18,2	0,0742				225	-	-	17,3	19	0,0875			250	-	5	18,2	19,9	0,1007		280	-	20	19,2	20,9	0,1166	300	-		30	19,9		21,6	0,1272	315	-		37			20,4	22,1	0,1352	355	-	57				21,8	23,5	0,1564	400	-	80	23,3	25		0,1802	560 x	450	-	105	25,3	28,3	0,2112	BFN	630 x		630	50	195	39,1	42,1	0,4292		BFN		500	-	130	26,8	29,8	0,2332				550	10	155	28,5	31,5	0,2597				560	15	160	28,8	31,8	0,2650				600	35	180	30,2	33,2	0,2862			630	50	195	31,2	34,2	0,3021		650	60	205	31,9	34,9	0,3127	700	85	230	33,6	36,6			0,3392	710	90	235	33,9			36,9		0,3445	750	110	255		35,3	38,3		0,3657	800		135	280	37	40		0,3922	560 x	900	185	330	40,4	43,4	0,4452	BFN	800		135	280	40,3	43,3	0,4514	BFN		1000		235	380	43,9	46,9	0,4982			180		-	-	16	17,7	0,0648			200		-	-	16,7	18,4	0,0756			225		-	-	17,5	19,2	0,0891			250	-	5	18,4	20,1	0,1026		280	-	20	19,4	21,1	0,1188	300	-	30	20,1	21,8	0,1296		315	-	37		20,7	22,4			0,1377	355	-	57		22		23,7		0,1593	400	-	80	23,6			25,3	0,1836																																																																																																																																																																																																																																																																																																																																																																																																																																																																																																																																																																																																																																																																																																																																																																																																																																																																																																																																																																																																																									
	300	-	30	19,9	21,6		0,1272		315	-	37	20,4			22,1	0,1352		355	-	57			21,8	23,5	0,1564	400	-	80	23,3		25	0,1802	560 x	450	-	105	25,3	28,3	0,2112	BFN	600 x		630	50	195	35,5	38,5	0,3712		BF		500	-	130	26,8	29,8	0,2332				550	10	155	28,5	31,5	0,2597				560	15	160	28,8	31,8	0,2650				600	35	180	30,2	33,2	0,2862				630	50	195	31,2	34,2	0,3021			650	60	205	31,9	34,9	0,3127		700	85	230	33,6	36,6		0,3392	710	90	235	33,9		36,9		0,3445	750	110	255		35,3	38,3	0,3657	800		135	280	37	40		0,3922	560 x	900	185	330	40,4	43,4	0,4452	BFN	600 x		630	50	195	37,7	40,7	0,4002		BF		1000	235	380	43,9	46,9	0,4982				180	-	-	15,8	17,5	0,0636				200	-	-	16,5	18,2	0,0742				225	-	-	17,3	19	0,0875				250	-	5	18,2	19,9	0,1007			280	-	20	19,2	20,9	0,1166		300	-	30	19,9	21,6	0,1272	315	-		37	20,4		22,1	0,1352	355	-		57		21,8	23,5	0,1564	400	-	80	23,3		25		0,1802	560 x	450	-	105	25,3	28,3	0,2112	BFN	630 x		630	50	195	39,1	42,1	0,4292		BFN		500	-	130	26,8	29,8	0,2332				550	10	155	28,5	31,5	0,2597				560	15	160	28,8	31,8	0,2650				600	35	180	30,2	33,2	0,2862				630	50	195	31,2	34,2	0,3021			650	60	205	31,9	34,9	0,3127		700	85	230	33,6	36,6	0,3392	710	90	235	33,9	36,9			0,3445	750	110	255	35,3	38,3		0,3657		800	135	280	37	40	0,3922	560 x		900	185		330	40,4	43,4	0,4452	BFN	800		135	280	40,3	43,3	0,4514	BFN		1000		235	380	43,9	46,9	0,4982			180		-	-	16	17,7	0,0648			200		-	-	16,7	18,4	0,0756			225		-	-	17,5	19,2	0,0891			250		-	5	18,4	20,1	0,1026			280	-	20	19,4	21,1	0,1188		300	-	30	20,1	21,8	0,1296	315	-	37	20,7	22,4	0,1377		355	-	57		22	23,7	0,1593		400	-	80	23,6		25,3	0,1836																																																																																																																																																																																																																																																																																																																																																																																																																																																																																																																																																																																																																																																																																																																																																																																																																																																																																																																																																																																																																																				
	315	-	37	20,4	22,1		0,1352		355	-	57	21,8		23,5	0,1564	400		-	80	23,3		25	0,1802	560 x	450	-	105	25,3	28,3	0,2112	BFN	600 x		630	50	195	35,5	38,5	0,3712		BF		500	-	130	26,8	29,8	0,2332				550	10	155	28,5	31,5	0,2597				560	15	160	28,8	31,8	0,2650				600	35	180	30,2	33,2	0,2862				630	50	195	31,2	34,2	0,3021				650	60	205	31,9	34,9	0,3127			700	85	230	33,6	36,6	0,3392		710	90	235	33,9	36,9		0,3445	750	110	255	35,3	38,3	0,3657		800	135	280	37	40	0,3922	560 x	900	185		330	40,4	43,4	0,4452	BFN	600 x		630	50	195	37,7	40,7	0,4002		BF		1000	235	380	43,9	46,9	0,4982				180	-	-	15,8	17,5	0,0636				200	-	-	16,5	18,2	0,0742				225	-	-	17,3	19	0,0875				250	-	5	18,2	19,9	0,1007				280	-	20	19,2	20,9	0,1166			300	-	30	19,9	21,6	0,1272		315	-	37	20,4	22,1	0,1352	355	-		57	21,8	23,5	0,1564	400	-	80		23,3	25	0,1802	560 x	450	-	105	25,3	28,3		0,2112	BFN	630 x		630	50	195	39,1	42,1	0,4292		BFN		500	-	130	26,8	29,8	0,2332				550	10	155	28,5	31,5	0,2597				560	15	160	28,8	31,8	0,2650				600	35	180	30,2	33,2	0,2862				630	50	195	31,2	34,2	0,3021				650	60	205	31,9	34,9	0,3127			700	85	230	33,6	36,6	0,3392		710	90	235	33,9	36,9	0,3445	750	110	255	35,3	38,3	0,3657		800	135	280	37	40	0,3922	560 x	900		185	330	40,4	43,4	0,4452	BFN		800	135	280		40,3	43,3	0,4514	BFN		1000		235	380	43,9	46,9	0,4982			180		-	-	16	17,7	0,0648			200		-	-	16,7	18,4	0,0756			225		-	-	17,5	19,2	0,0891			250		-	5	18,4	20,1	0,1026			280		-	20	19,4	21,1	0,1188			300	-	30	20,1	21,8	0,1296		315	-	37	20,7	22,4	0,1377	355	-	57	22	23,7	0,1593	400	-	80	23,6		25,3	0,1836																																																																																																																																																																																																																																																																																																																																																																																																																																																																																																																																																																																																																																																																																																																																																																																																																																																																																																																																																																																																																																													
	355	-	57	21,8	23,5	0,1564	400		-	80	23,3	25	0,1802	560 x	450	-		105	25,3	28,3	0,2112	BFN	600 x		630	50	195	35,5	38,5	0,3712		BF		500	-	130	26,8	29,8	0,2332				550	10	155	28,5	31,5	0,2597				560	15	160	28,8	31,8	0,2650				600	35	180	30,2	33,2	0,2862				630	50	195	31,2	34,2	0,3021				650	60	205	31,9	34,9	0,3127				700	85	230	33,6	36,6	0,3392			710	90	235	33,9	36,9	0,3445		750	110	255	35,3	38,3	0,3657	800	135	280	37	40	0,3922	560 x	900	185	330	40,4	43,4	0,4452	BFN		600 x	630	50	195	37,7	40,7	0,4002		BF		1000	235	380	43,9	46,9	0,4982				180	-	-	15,8	17,5	0,0636				200	-	-	16,5	18,2	0,0742				225	-	-	17,3	19	0,0875				250	-	5	18,2	19,9	0,1007				280	-	20	19,2	20,9	0,1166				300	-	30	19,9	21,6	0,1272			315	-	37	20,4	22,1	0,1352		355	-	57	21,8	23,5	0,1564	400	-	80	23,3	25	0,1802	560 x	450	-	105	25,3	28,3	0,2112	BFN		630 x	630	50	195	39,1	42,1	0,4292		BFN		500	-	130	26,8	29,8	0,2332				550	10	155	28,5	31,5	0,2597				560	15	160	28,8	31,8	0,2650				600	35	180	30,2	33,2	0,2862				630	50	195	31,2	34,2	0,3021				650	60	205	31,9	34,9	0,3127				700	85	230	33,6	36,6	0,3392			710	90	235	33,9	36,9	0,3445		750	110	255	35,3	38,3	0,3657	800	135	280	37	40	0,3922	560 x	900	185	330	40,4	43,4	0,4452		BFN	800	135	280	40,3	43,3	0,4514			BFN	1000	235	380	43,9	46,9	0,4982			180		-	-	16	17,7	0,0648			200		-	-	16,7	18,4	0,0756			225		-	-	17,5	19,2	0,0891			250		-	5	18,4	20,1	0,1026			280		-	20	19,4	21,1	0,1188			300		-	30	20,1	21,8	0,1296			315	-	37	20,7	22,4	0,1377		355	-	57	22	23,7	0,1593	400	-	80	23,6	25,3	0,1836																																																																																																																																																																																																																																																																																																																																																																																																																																																																																																																																																																																																																																																																																																																																																																																																																																																																																																																																																																																																																																																				
400	-	80	23,3	25	0,1802	560 x	450	-	105	25,3	28,3	0,2112	BFN		600 x	630	50	195	35,5	38,5	0,3712		BF		500	-	130	26,8	29,8	0,2332				550	10	155	28,5	31,5	0,2597				560	15	160	28,8	31,8	0,2650				600	35	180	30,2	33,2	0,2862				630	50	195	31,2	34,2	0,3021				650	60	205	31,9	34,9	0,3127				700	85	230	33,6	36,6	0,3392				710	90	235	33,9	36,9	0,3445			750	110	255	35,3	38,3	0,3657		800	135	280	37	40	0,3922	560 x	900	185	330	40,4	43,4		0,4452	BFN	600 x	630	50	195			37,7	40,7	0,4002	BF	1000	235	380				43,9	46,9	0,4982	180	-	-				15,8	17,5	0,0636	200	-	-				16,5	18,2	0,0742	225	-	-				17,3	19	0,0875	250	-	5				18,2	19,9	0,1007	280	-	20				19,2	20,9	0,1166	300	-	30				19,9	21,6	0,1272	315	-	37			20,4	22,1	0,1352	355	-	57		21,8	23,5	0,1564	400	-	80	23,3	25	0,1802	560 x	450	-		105	25,3	28,3	0,2112	BFN	630 x			630	50	195	39,1	42,1	0,4292	BFN				500	-	130	26,8	29,8	0,2332				550	10	155	28,5	31,5	0,2597				560	15	160	28,8	31,8	0,2650				600	35	180	30,2	33,2	0,2862				630	50	195	31,2	34,2	0,3021				650	60	205	31,9	34,9	0,3127				700	85	230	33,6	36,6	0,3392			710	90	235	33,9	36,9	0,3445		750	110	255	35,3	38,3	0,3657	800	135	280	37	40	0,3922		560 x	900	185	330	40,4	43,4			0,4452	BFN	800	135	280	40,3				43,3	0,4514	BFN	1000	235	380			43,9		46,9	0,4982	180	-	-			16		17,7	0,0648	200	-	-			16,7		18,4	0,0756	225	-	-			17,5		19,2	0,0891	250	-	5			18,4		20,1	0,1026	280	-	20			19,4		21,1	0,1188	300	-	30			20,1	21,8	0,1296	315	-	37		20,7	22,4	0,1377	355	-	57	22	23,7	0,1593	400	-	80	23,6	25,3	0,1836																																																																																																																																																																																																																																																																																																																																																																																																																																																																																																																																																																																																																																																																																																																																																																																																																																																																																																																																																																																																																																																	
560 x	450	-	105	25,3	28,3		0,2112	BFN	600 x	630	50	195			35,5	38,5	0,3712	BF																																																																																																																																																																																																																																																																																																																																																																																																																																																																																																																																																																																																																																																																																																																																																																																																																																																																																																																																																																																																																																																																																																																																																																																																																																																																																																																																																																																																																																																															
	500	-	130	26,8	29,8		0,2332		550	10	155	28,5			31,5	0,2597	560		15	160	28,8				31,8	0,2650	600	35	180	30,2				33,2	0,2862	630	50	195	31,2				34,2	0,3021	650	60	205	31,9				34,9	0,3127	700	85	230	33,6				36,6	0,3392	710	90	235	33,9				36,9	0,3445	750	110	255	35,3			38,3	0,3657	800	135	280	37	40	0,3922		560 x	900	185	330	40,4	43,4	0,4452	BFN	600 x	630	50	195	37,7	40,7	0,4002	BF	1000	235	380	43,9	46,9	0,4982		180	-	-	15,8	17,5		0,0636		200	-	-	16,5			18,2	0,0742	225		-	-	17,3				19	0,0875	250	-	5	18,2				19,9	0,1007	280	-	20	19,2				20,9	0,1166	300	-	30	19,9				21,6	0,1272	315	-	37	20,4				22,1	0,1352	355	-	57	21,8			23,5	0,1564	400	-	80	23,3	25	0,1802		560 x	450	-	105	25,3	28,3	0,2112	BFN	630 x	630	50	195	39,1	42,1	0,4292	BFN	500	-	130	26,8	29,8	0,2332	550	10	155		28,5	31,5		0,2597	560	15	160		28,8			31,8	0,2650	600	35	180	30,2					33,2	0,2862	630	50	195	31,2				34,2	0,3021	650	60	205	31,9				34,9	0,3127	700	85	230	33,6				36,6	0,3392	710	90	235	33,9				36,9	0,3445	750	110	255	35,3			38,3	0,3657	800	135	280	37	40	0,3922		560 x	900	185	330	40,4	43,4	0,4452	BFN	800	135	280	40,3	43,3	0,4514	BFN	1000	235	380	43,9	46,9	0,4982	180	-	-	16	17,7	0,0648	200			-	-	16,7	18,4	0,0756			225		-	-	17,5	19,2				0,0891	250		-	5	18,4			20,1		0,1026	280	-	20	19,4			21,1		0,1188	300	-	30	20,1			21,8		0,1296	315	-	37	20,7			22,4		0,1377	355	-	57	22			23,7	0,1593	400	-	80	23,6	25,3		0,1836																																																																																																																																																																																																																																																																																																																																																																																																																																																																																																																																																																																																																																																																																																																																																																																																																																																																																																																																																																																																																																																																																
	550	10	155	28,5	31,5		0,2597		560	15	160	28,8			31,8	0,2650	600		35	180	30,2				33,2	0,2862	630	50	195	31,2				34,2	0,3021	650	60	205	31,9				34,9	0,3127	700	85	230	33,6				36,6	0,3392	710	90	235	33,9				36,9	0,3445	750	110	255	35,3			38,3	0,3657	800	135	280	37	40	0,3922		560 x	900	185	330	40,4	43,4	0,4452	BFN	600 x		630	50	195	37,7	40,7	0,4002		BF	1000	235	380	43,9	46,9	0,4982		180	-	-	15,8	17,5	0,0636		200	-	-	16,5	18,2		0,0742		225	-	-	17,3			19	0,0875	250		-	5	18,2				19,9	0,1007	280	-	20	19,2				20,9	0,1166	300	-	30	19,9				21,6	0,1272	315	-	37	20,4				22,1	0,1352	355	-	57	21,8			23,5	0,1564	400	-	80	23,3	25	0,1802		560 x	450	-	105	25,3	28,3	0,2112	BFN	630 x		630	50	195	39,1	42,1	0,4292		BFN	500	-	130	26,8	29,8	0,2332		550	10	155	28,5	31,5	0,2597	560	15	160		28,8	31,8		0,2650	600	35	180		30,2			33,2	0,2862	630	50	195	31,2					34,2	0,3021	650	60	205	31,9				34,9	0,3127	700	85	230	33,6				36,6	0,3392	710	90	235	33,9				36,9	0,3445	750	110	255	35,3			38,3	0,3657	800	135	280	37	40	0,3922		560 x	900	185	330	40,4	43,4	0,4452	BFN	800		135	280	40,3	43,3	0,4514	BFN		1000	235	380	43,9	46,9	0,4982		180	-	-	16	17,7	0,0648	200	-	-	16,7	18,4	0,0756	225			-	-	17,5	19,2	0,0891			250		-	5	18,4	20,1				0,1026	280		-	20	19,4			21,1		0,1188	300	-	30	20,1			21,8		0,1296	315	-	37	20,7			22,4		0,1377	355	-	57	22			23,7	0,1593	400	-	80	23,6	25,3		0,1836																																																																																																																																																																																																																																																																																																																																																																																																																																																																																																																																																																																																																																																																																																																																																																																																																																																																																																																																																																																																																																																																																									
	560	15	160	28,8	31,8		0,2650		600	35	180	30,2			33,2	0,2862	630		50	195	31,2				34,2	0,3021	650	60	205	31,9				34,9	0,3127	700	85	230	33,6				36,6	0,3392	710	90	235	33,9				36,9	0,3445	750	110	255	35,3			38,3	0,3657	800	135	280	37	40	0,3922		560 x	900	185	330	40,4	43,4	0,4452	BFN	600 x		630	50	195	37,7	40,7	0,4002		BF		1000	235	380	43,9	46,9	0,4982			180	-	-	15,8	17,5	0,0636		200	-	-	16,5	18,2	0,0742		225	-	-	17,3	19		0,0875		250	-	5	18,2			19,9	0,1007	280		-	20	19,2				20,9	0,1166	300	-	30	19,9				21,6	0,1272	315	-	37	20,4				22,1	0,1352	355	-	57	21,8			23,5	0,1564	400	-	80	23,3	25	0,1802		560 x	450	-	105	25,3	28,3	0,2112	BFN	630 x		630	50	195	39,1	42,1	0,4292		BFN		500	-	130	26,8	29,8	0,2332			550	10	155	28,5	31,5	0,2597		560	15	160	28,8	31,8	0,2650	600	35	180		30,2	33,2		0,2862	630	50	195		31,2			34,2	0,3021	650	60	205	31,9					34,9	0,3127	700	85	230	33,6				36,6	0,3392	710	90	235	33,9				36,9	0,3445	750	110	255	35,3			38,3	0,3657	800	135	280	37	40	0,3922		560 x	900	185	330	40,4	43,4	0,4452	BFN	800		135	280	40,3	43,3	0,4514	BFN		1000		235	380	43,9	46,9	0,4982			180	-	-	16	17,7	0,0648		200	-	-	16,7	18,4	0,0756	225	-	-	17,5	19,2	0,0891	250			-	5	18,4	20,1	0,1026			280		-	20	19,4	21,1				0,1188	300		-	30	20,1			21,8		0,1296	315	-	37	20,7			22,4		0,1377	355	-	57	22			23,7	0,1593	400	-	80	23,6	25,3		0,1836																																																																																																																																																																																																																																																																																																																																																																																																																																																																																																																																																																																																																																																																																																																																																																																																																																																																																																																																																																																																																																																																																																		
	600	35	180	30,2	33,2		0,2862		630	50	195	31,2			34,2	0,3021	650		60	205	31,9				34,9	0,3127	700	85	230	33,6				36,6	0,3392	710	90	235	33,9				36,9	0,3445	750	110	255	35,3			38,3	0,3657	800	135	280	37	40	0,3922		560 x	900	185	330	40,4	43,4	0,4452	BFN	600 x		630	50	195	37,7	40,7	0,4002		BF		1000	235	380	43,9	46,9	0,4982				180	-	-	15,8	17,5	0,0636			200	-	-	16,5	18,2	0,0742		225	-	-	17,3	19	0,0875		250	-	5	18,2	19,9		0,1007		280	-	20	19,2			20,9	0,1166	300		-	30	19,9				21,6	0,1272	315	-	37	20,4				22,1	0,1352	355	-	57	21,8			23,5	0,1564	400	-	80	23,3	25	0,1802		560 x	450	-	105	25,3	28,3	0,2112	BFN	630 x		630	50	195	39,1	42,1	0,4292		BFN		500	-	130	26,8	29,8	0,2332				550	10	155	28,5	31,5	0,2597			560	15	160	28,8	31,8	0,2650		600	35	180	30,2	33,2	0,2862	630	50	195		31,2	34,2		0,3021	650	60	205		31,9			34,9	0,3127	700	85	230	33,6					36,6	0,3392	710	90	235	33,9				36,9	0,3445	750	110	255	35,3			38,3	0,3657	800	135	280	37	40	0,3922		560 x	900	185	330	40,4	43,4	0,4452	BFN	800		135	280	40,3	43,3	0,4514	BFN		1000		235	380	43,9	46,9	0,4982			180		-	-	16	17,7	0,0648			200	-	-	16,7	18,4	0,0756		225	-	-	17,5	19,2	0,0891	250	-	5	18,4	20,1	0,1026	280			-	20	19,4	21,1	0,1188			300		-	30	20,1	21,8				0,1296	315		-	37	20,7			22,4		0,1377	355	-	57	22			23,7	0,1593	400	-	80	23,6	25,3		0,1836																																																																																																																																																																																																																																																																																																																																																																																																																																																																																																																																																																																																																																																																																																																																																																																																																																																																																																																																																																																																																																																																																																											
	630	50	195	31,2	34,2		0,3021		650	60	205	31,9			34,9	0,3127	700		85	230	33,6				36,6	0,3392	710	90	235	33,9				36,9	0,3445	750	110	255	35,3			38,3	0,3657	800	135	280	37	40	0,3922		560 x	900	185	330	40,4	43,4	0,4452	BFN	600 x		630	50	195	37,7	40,7	0,4002		BF		1000	235	380	43,9	46,9	0,4982				180	-	-	15,8	17,5	0,0636				200	-	-	16,5	18,2	0,0742			225	-	-	17,3	19	0,0875		250	-	5	18,2	19,9	0,1007		280	-	20	19,2	20,9		0,1166		300	-	30	19,9			21,6	0,1272	315		-	37	20,4				22,1	0,1352	355	-	57	21,8			23,5	0,1564	400	-	80	23,3	25	0,1802		560 x	450	-	105	25,3	28,3	0,2112	BFN	630 x		630	50	195	39,1	42,1	0,4292		BFN		500	-	130	26,8	29,8	0,2332				550	10	155	28,5	31,5	0,2597				560	15	160	28,8	31,8	0,2650			600	35	180	30,2	33,2	0,2862		630	50	195	31,2	34,2	0,3021	650	60	205		31,9	34,9		0,3127	700	85	230		33,6			36,6	0,3392	710	90	235	33,9					36,9	0,3445	750	110	255	35,3			38,3	0,3657	800	135	280	37	40	0,3922		560 x	900	185	330	40,4	43,4	0,4452	BFN	800		135	280	40,3	43,3	0,4514	BFN		1000		235	380	43,9	46,9	0,4982			180		-	-	16	17,7	0,0648			200		-	-	16,7	18,4	0,0756			225	-	-	17,5	19,2	0,0891		250	-	5	18,4	20,1	0,1026	280	-	20	19,4	21,1	0,1188	300			-	30	20,1	21,8	0,1296			315		-	37	20,7	22,4				0,1377	355		-	57	22			23,7	0,1593	400	-	80	23,6	25,3		0,1836																																																																																																																																																																																																																																																																																																																																																																																																																																																																																																																																																																																																																																																																																																																																																																																																																																																																																																																																																																																																																																																																																																																				
	650	60	205	31,9	34,9		0,3127		700	85	230	33,6			36,6	0,3392	710		90	235	33,9				36,9	0,3445	750	110	255	35,3			38,3	0,3657	800	135	280	37	40	0,3922		560 x	900	185	330	40,4	43,4	0,4452	BFN	600 x		630	50	195	37,7	40,7	0,4002		BF		1000	235	380	43,9	46,9	0,4982				180	-	-	15,8	17,5	0,0636				200	-	-	16,5	18,2	0,0742				225	-	-	17,3	19	0,0875			250	-	5	18,2	19,9	0,1007		280	-	20	19,2	20,9	0,1166		300	-	30	19,9	21,6		0,1272		315	-	37	20,4			22,1	0,1352	355		-	57	21,8			23,5	0,1564	400	-	80	23,3	25	0,1802		560 x	450	-	105	25,3	28,3	0,2112	BFN	630 x		630	50	195	39,1	42,1	0,4292		BFN		500	-	130	26,8	29,8	0,2332				550	10	155	28,5	31,5	0,2597				560	15	160	28,8	31,8	0,2650				600	35	180	30,2	33,2	0,2862			630	50	195	31,2	34,2	0,3021		650	60	205	31,9	34,9	0,3127	700	85	230		33,6	36,6		0,3392	710	90	235		33,9			36,9	0,3445	750	110	255	35,3				38,3	0,3657	800	135	280	37	40	0,3922		560 x	900	185	330	40,4	43,4	0,4452	BFN	800		135	280	40,3	43,3	0,4514	BFN		1000		235	380	43,9	46,9	0,4982			180		-	-	16	17,7	0,0648			200		-	-	16,7	18,4	0,0756			225		-	-	17,5	19,2	0,0891			250	-	5	18,4	20,1	0,1026		280	-	20	19,4	21,1	0,1188	300	-	30	20,1	21,8	0,1296	315			-	37	20,7	22,4	0,1377			355		-	57	22	23,7		0,1593		400	-		80	23,6	25,3		0,1836																																																																																																																																																																																																																																																																																																																																																																																																																																																																																																																																																																																																																																																																																																																																																																																																																																																																																																																																																																																																																																																																																																																													
	700	85	230	33,6	36,6		0,3392		710	90	235	33,9			36,9	0,3445	750		110	255	35,3			38,3	0,3657	800	135	280	37	40	0,3922		560 x	900	185	330	40,4	43,4	0,4452	BFN	600 x		630	50	195	37,7	40,7	0,4002		BF		1000	235	380	43,9	46,9	0,4982				180	-	-	15,8	17,5	0,0636				200	-	-	16,5	18,2	0,0742				225	-	-	17,3	19	0,0875				250	-	5	18,2	19,9	0,1007			280	-	20	19,2	20,9	0,1166		300	-	30	19,9	21,6	0,1272		315	-	37	20,4	22,1		0,1352		355	-	57	21,8		23,5	0,1564	400	-		80	23,3	25	0,1802		560 x	450	-	105	25,3	28,3	0,2112	BFN	630 x		630	50	195	39,1	42,1	0,4292		BFN		500	-	130	26,8	29,8	0,2332				550	10	155	28,5	31,5	0,2597				560	15	160	28,8	31,8	0,2650				600	35	180	30,2	33,2	0,2862				630	50	195	31,2	34,2	0,3021			650	60	205	31,9	34,9	0,3127		700	85	230	33,6	36,6	0,3392	710	90	235		33,9	36,9		0,3445	750	110	255		35,3		38,3	0,3657	800	135	280	37	40		0,3922		560 x	900	185	330	40,4	43,4	0,4452	BFN	800		135	280	40,3	43,3	0,4514	BFN		1000		235	380	43,9	46,9	0,4982			180		-	-	16	17,7	0,0648			200		-	-	16,7	18,4	0,0756			225		-	-	17,5	19,2	0,0891			250		-	5	18,4	20,1	0,1026			280	-	20	19,4	21,1	0,1188		300	-	30	20,1	21,8	0,1296	315	-	37	20,7	22,4	0,1377	355			-	57	22	23,7	0,1593	400		-		80	23,6	25,3	0,1836																																																																																																																																																																																																																																																																																																																																																																																																																																																																																																																																																																																																																																																																																																																																																																																																																																																																																																																																																																																																																																																																																																																																								
	710	90	235	33,9	36,9		0,3445		750	110	255	35,3		38,3	0,3657	800	135		280	37	40	0,3922		560 x	900	185	330	40,4	43,4	0,4452	BFN	600 x		630	50	195	37,7	40,7	0,4002		BF		1000	235	380	43,9	46,9	0,4982				180	-	-	15,8	17,5	0,0636				200	-	-	16,5	18,2	0,0742				225	-	-	17,3	19	0,0875				250	-	5	18,2	19,9	0,1007				280	-	20	19,2	20,9	0,1166			300	-	30	19,9	21,6	0,1272		315	-	37	20,4	22,1	0,1352		355	-	57	21,8	23,5	0,1564	400		-	80	23,3	25	0,1802	560 x	450	-	105		25,3	28,3	0,2112	BFN	630 x		630	50	195	39,1	42,1	0,4292		BFN		500	-	130	26,8	29,8	0,2332				550	10	155	28,5	31,5	0,2597				560	15	160	28,8	31,8	0,2650				600	35	180	30,2	33,2	0,2862				630	50	195	31,2	34,2	0,3021				650	60	205	31,9	34,9	0,3127			700	85	230	33,6	36,6	0,3392		710	90	235	33,9	36,9	0,3445	750	110	255		35,3	38,3	0,3657	800	135	280	37		40	0,3922	560 x	900	185	330	40,4	43,4	0,4452		BFN	800		135	280	40,3	43,3	0,4514	BFN		1000		235	380	43,9	46,9	0,4982			180		-	-	16	17,7	0,0648			200		-	-	16,7	18,4	0,0756			225		-	-	17,5	19,2	0,0891			250		-	5	18,4	20,1	0,1026			280		-	20	19,4	21,1	0,1188			300	-	30	20,1	21,8	0,1296		315	-	37	20,7	22,4	0,1377	355	-	57	22	23,7	0,1593	400	-		80	23,6	25,3	0,1836																																																																																																																																																																																																																																																																																																																																																																																																																																																																																																																																																																																																																																																																																																																																																																																																																																																																																																																																																																																																																																																																																																																																																	
	750	110	255	35,3	38,3	0,3657	800		135	280	37	40	0,3922	560 x	900	185	330		40,4	43,4	0,4452	BFN	600 x		630	50	195	37,7	40,7	0,4002		BF		1000	235	380	43,9	46,9	0,4982				180	-	-	15,8	17,5	0,0636				200	-	-	16,5	18,2	0,0742				225	-	-	17,3	19	0,0875				250	-	5	18,2	19,9	0,1007				280	-	20	19,2	20,9	0,1166				300	-	30	19,9	21,6	0,1272			315	-	37	20,4	22,1	0,1352		355	-	57	21,8	23,5	0,1564	400	-	80	23,3	25	0,1802	560 x	450	-	105	25,3	28,3	0,2112	BFN		630 x	630	50	195	39,1	42,1	0,4292		BFN		500	-	130	26,8	29,8	0,2332				550	10	155	28,5	31,5	0,2597				560	15	160	28,8	31,8	0,2650				600	35	180	30,2	33,2	0,2862				630	50	195	31,2	34,2	0,3021				650	60	205	31,9	34,9	0,3127				700	85	230	33,6	36,6	0,3392			710	90	235	33,9	36,9	0,3445		750	110	255	35,3	38,3	0,3657	800	135	280	37	40	0,3922	560 x	900	185	330	40,4	43,4	0,4452	BFN		800	135	280	40,3	43,3	0,4514	BFN		1000		235	380	43,9	46,9	0,4982			180		-	-	16	17,7	0,0648			200		-	-	16,7	18,4	0,0756			225		-	-	17,5	19,2	0,0891			250		-	5	18,4	20,1	0,1026			280		-	20	19,4	21,1	0,1188			300		-	30	20,1	21,8	0,1296			315	-	37	20,7	22,4	0,1377		355	-	57	22	23,7	0,1593	400	-	80	23,6	25,3	0,1836																																																																																																																																																																																																																																																																																																																																																																																																																																																																																																																																																																																																																																																																																																																																																																																																																																																																																																																																																																																																																																																																																																																																																								
800	135	280	37	40	0,3922	560 x	900	185	330	40,4	43,4	0,4452	BFN		600 x	630	50	195	37,7	40,7	0,4002		BF		1000	235	380	43,9	46,9	0,4982				180	-	-	15,8	17,5	0,0636				200	-	-	16,5	18,2	0,0742				225	-	-	17,3	19	0,0875				250	-	5	18,2	19,9	0,1007				280	-	20	19,2	20,9	0,1166				300	-	30	19,9	21,6	0,1272				315	-	37	20,4	22,1	0,1352			355	-	57	21,8	23,5	0,1564		400	-	80	23,3	25	0,1802	560 x	450	-	105	25,3	28,3		0,2112	BFN	630 x	630	50	195			39,1	42,1	0,4292	BFN	500	-	130				26,8	29,8	0,2332	550	10	155				28,5	31,5	0,2597	560	15	160				28,8	31,8	0,2650	600	35	180				30,2	33,2	0,2862	630	50	195				31,2	34,2	0,3021	650	60	205				31,9	34,9	0,3127	700	85	230				33,6	36,6	0,3392	710	90	235			33,9	36,9	0,3445	750	110	255		35,3	38,3	0,3657	800	135	280	37	40	0,3922	560 x	900	185		330	40,4	43,4	0,4452	BFN	800			135	280	40,3	43,3	0,4514	BFN			1000		235	380	43,9	46,9	0,4982			180		-	-	16	17,7	0,0648			200		-	-	16,7	18,4	0,0756			225		-	-	17,5	19,2	0,0891			250		-	5	18,4	20,1	0,1026			280		-	20	19,4	21,1	0,1188			300		-	30	20,1	21,8	0,1296			315	-	37	20,7	22,4	0,1377		355	-	57	22	23,7	0,1593	400	-	80	23,6	25,3	0,1836																																																																																																																																																																																																																																																																																																																																																																																																																																																																																																																																																																																																																																																																																																																																																																																																																																																																																																																																																																																																																																																																																																																																																								
560 x	900	185	330	40,4	43,4		0,4452	BFN	600 x	630	50	195			37,7	40,7	0,4002	BF																																																																																																																																																																																																																																																																																																																																																																																																																																																																																																																																																																																																																																																																																																																																																																																																																																																																																																																																																																																																																																																																																																																																																																																																																																																																																																																																																																																																																																																															
	1000	235	380	43,9	46,9		0,4982		180	-	-	15,8			17,5	0,0636	200		-	-	16,5				18,2	0,0742	225	-	-	17,3				19	0,0875	250	-	5	18,2				19,9	0,1007	280	-	20	19,2				20,9	0,1166	300	-	30	19,9				21,6	0,1272	315	-	37	20,4				22,1	0,1352	355	-	57	21,8			23,5	0,1564	400	-	80	23,3	25	0,1802		560 x	450	-	105	25,3	28,3	0,2112	BFN	630 x	630	50	195	39,1	42,1	0,4292	BFN	500	-	130	26,8	29,8	0,2332		550	10	155	28,5	31,5		0,2597		560	15	160	28,8			31,8	0,2650	600		35	180	30,2				33,2	0,2862	630	50	195	31,2				34,2	0,3021	650	60	205	31,9				34,9	0,3127	700	85	230	33,6				36,6	0,3392	710	90	235	33,9				36,9	0,3445	750	110	255	35,3			38,3	0,3657	800	135	280	37	40	0,3922		560 x	900	185	330	40,4	43,4	0,4452	BFN	800	135	280	40,3	43,3	0,4514	BFN	1000	235	380	43,9	46,9	0,4982	180	-	-	16		17,7	0,0648		200	-	-	16,7		18,4			0,0756	225	-	-	17,5				19,2		0,0891	250	-	5	18,4			20,1		0,1026	280	-	20	19,4			21,1		0,1188	300	-	30	20,1			21,8		0,1296	315	-	37	20,7			22,4		0,1377	355	-	57	22			23,7	0,1593	400	-	80	23,6	25,3		0,1836																																																																																																																																																																																																																																																																																																																																																																																																																																																																																																																																																																																																																																																																																																																																																																																																																																																																																																																																																																																																																																																																																																																																																																																				
	180	-	-	15,8	17,5		0,0636		200	-	-	16,5			18,2	0,0742	225		-	-	17,3				19	0,0875	250	-	5	18,2				19,9	0,1007	280	-	20	19,2				20,9	0,1166	300	-	30	19,9				21,6	0,1272	315	-	37	20,4				22,1	0,1352	355	-	57	21,8			23,5	0,1564	400	-	80	23,3	25	0,1802		560 x	450	-	105	25,3	28,3	0,2112	BFN	630 x		630	50	195	39,1	42,1	0,4292		BFN	500	-	130	26,8	29,8	0,2332		550	10	155	28,5	31,5	0,2597		560	15	160	28,8	31,8		0,2650		600	35	180	30,2			33,2	0,2862	630		50	195	31,2				34,2	0,3021	650	60	205	31,9				34,9	0,3127	700	85	230	33,6				36,6	0,3392	710	90	235	33,9				36,9	0,3445	750	110	255	35,3			38,3	0,3657	800	135	280	37	40	0,3922		560 x	900	185	330	40,4	43,4	0,4452	BFN	800		135	280	40,3	43,3	0,4514	BFN		1000	235	380	43,9	46,9	0,4982		180	-	-	16	17,7	0,0648	200	-	-	16,7		18,4	0,0756		225	-	-	17,5		19,2			0,0891	250	-	5	18,4				20,1		0,1026	280	-	20	19,4			21,1		0,1188	300	-	30	20,1			21,8		0,1296	315	-	37	20,7			22,4		0,1377	355	-	57	22			23,7	0,1593	400	-	80	23,6	25,3		0,1836																																																																																																																																																																																																																																																																																																																																																																																																																																																																																																																																																																																																																																																																																																																																																																																																																																																																																																																																																																																																																																																																																																																																																																																													
	200	-	-	16,5	18,2		0,0742		225	-	-	17,3			19	0,0875	250		-	5	18,2				19,9	0,1007	280	-	20	19,2				20,9	0,1166	300	-	30	19,9				21,6	0,1272	315	-	37	20,4				22,1	0,1352	355	-	57	21,8			23,5	0,1564	400	-	80	23,3	25	0,1802		560 x	450	-	105	25,3	28,3	0,2112	BFN	630 x		630	50	195	39,1	42,1	0,4292		BFN		500	-	130	26,8	29,8	0,2332			550	10	155	28,5	31,5	0,2597		560	15	160	28,8	31,8	0,2650		600	35	180	30,2	33,2		0,2862		630	50	195	31,2			34,2	0,3021	650		60	205	31,9				34,9	0,3127	700	85	230	33,6				36,6	0,3392	710	90	235	33,9				36,9	0,3445	750	110	255	35,3			38,3	0,3657	800	135	280	37	40	0,3922		560 x	900	185	330	40,4	43,4	0,4452	BFN	800		135	280	40,3	43,3	0,4514	BFN		1000		235	380	43,9	46,9	0,4982			180	-	-	16	17,7	0,0648		200	-	-	16,7	18,4	0,0756	225	-	-	17,5		19,2	0,0891		250	-	5	18,4		20,1			0,1026	280	-	20	19,4				21,1		0,1188	300	-	30	20,1			21,8		0,1296	315	-	37	20,7			22,4		0,1377	355	-	57	22			23,7	0,1593	400	-	80	23,6	25,3		0,1836																																																																																																																																																																																																																																																																																																																																																																																																																																																																																																																																																																																																																																																																																																																																																																																																																																																																																																																																																																																																																																																																																																																																																																																																						
	225	-	-	17,3	19		0,0875		250	-	5	18,2			19,9	0,1007	280		-	20	19,2				20,9	0,1166	300	-	30	19,9				21,6	0,1272	315	-	37	20,4				22,1	0,1352	355	-	57	21,8			23,5	0,1564	400	-	80	23,3	25	0,1802		560 x	450	-	105	25,3	28,3	0,2112	BFN	630 x		630	50	195	39,1	42,1	0,4292		BFN		500	-	130	26,8	29,8	0,2332				550	10	155	28,5	31,5	0,2597			560	15	160	28,8	31,8	0,2650		600	35	180	30,2	33,2	0,2862		630	50	195	31,2	34,2		0,3021		650	60	205	31,9			34,9	0,3127	700		85	230	33,6				36,6	0,3392	710	90	235	33,9				36,9	0,3445	750	110	255	35,3			38,3	0,3657	800	135	280	37	40	0,3922		560 x	900	185	330	40,4	43,4	0,4452	BFN	800		135	280	40,3	43,3	0,4514	BFN		1000		235	380	43,9	46,9	0,4982			180		-	-	16	17,7	0,0648			200	-	-	16,7	18,4	0,0756		225	-	-	17,5	19,2	0,0891	250	-	5	18,4		20,1	0,1026		280	-	20	19,4		21,1			0,1188	300	-	30	20,1				21,8		0,1296	315	-	37	20,7			22,4		0,1377	355	-	57	22			23,7	0,1593	400	-	80	23,6	25,3		0,1836																																																																																																																																																																																																																																																																																																																																																																																																																																																																																																																																																																																																																																																																																																																																																																																																																																																																																																																																																																																																																																																																																																																																																																																																															
	250	-	5	18,2	19,9		0,1007		280	-	20	19,2			20,9	0,1166	300		-	30	19,9				21,6	0,1272	315	-	37	20,4				22,1	0,1352	355	-	57	21,8			23,5	0,1564	400	-	80	23,3	25	0,1802		560 x	450	-	105	25,3	28,3	0,2112	BFN	630 x		630	50	195	39,1	42,1	0,4292		BFN		500	-	130	26,8	29,8	0,2332				550	10	155	28,5	31,5	0,2597				560	15	160	28,8	31,8	0,2650			600	35	180	30,2	33,2	0,2862		630	50	195	31,2	34,2	0,3021		650	60	205	31,9	34,9		0,3127		700	85	230	33,6			36,6	0,3392	710		90	235	33,9				36,9	0,3445	750	110	255	35,3			38,3	0,3657	800	135	280	37	40	0,3922		560 x	900	185	330	40,4	43,4	0,4452	BFN	800		135	280	40,3	43,3	0,4514	BFN		1000		235	380	43,9	46,9	0,4982			180		-	-	16	17,7	0,0648			200		-	-	16,7	18,4	0,0756			225	-	-	17,5	19,2	0,0891		250	-	5	18,4	20,1	0,1026	280	-	20	19,4		21,1	0,1188		300	-	30	20,1		21,8			0,1296	315	-	37	20,7				22,4		0,1377	355	-	57	22			23,7	0,1593	400	-	80	23,6	25,3		0,1836																																																																																																																																																																																																																																																																																																																																																																																																																																																																																																																																																																																																																																																																																																																																																																																																																																																																																																																																																																																																																																																																																																																																																																																																																								
	280	-	20	19,2	20,9		0,1166		300	-	30	19,9			21,6	0,1272	315		-	37	20,4				22,1	0,1352	355	-	57	21,8			23,5	0,1564	400	-	80	23,3	25	0,1802		560 x	450	-	105	25,3	28,3	0,2112	BFN	630 x		630	50	195	39,1	42,1	0,4292		BFN		500	-	130	26,8	29,8	0,2332				550	10	155	28,5	31,5	0,2597				560	15	160	28,8	31,8	0,2650				600	35	180	30,2	33,2	0,2862			630	50	195	31,2	34,2	0,3021		650	60	205	31,9	34,9	0,3127		700	85	230	33,6	36,6		0,3392		710	90	235	33,9			36,9	0,3445	750		110	255	35,3			38,3	0,3657	800	135	280	37	40	0,3922		560 x	900	185	330	40,4	43,4	0,4452	BFN	800		135	280	40,3	43,3	0,4514	BFN		1000		235	380	43,9	46,9	0,4982			180		-	-	16	17,7	0,0648			200		-	-	16,7	18,4	0,0756			225		-	-	17,5	19,2	0,0891			250	-	5	18,4	20,1	0,1026		280	-	20	19,4	21,1	0,1188	300	-	30	20,1		21,8	0,1296		315	-	37	20,7		22,4			0,1377	355	-	57	22				23,7	0,1593	400	-	80	23,6	25,3		0,1836																																																																																																																																																																																																																																																																																																																																																																																																																																																																																																																																																																																																																																																																																																																																																																																																																																																																																																																																																																																																																																																																																																																																																																																																																																	
	300	-	30	19,9	21,6		0,1272		315	-	37	20,4			22,1	0,1352	355		-	57	21,8			23,5	0,1564	400	-	80	23,3	25	0,1802		560 x	450	-	105	25,3	28,3	0,2112	BFN	630 x		630	50	195	39,1	42,1	0,4292		BFN		500	-	130	26,8	29,8	0,2332				550	10	155	28,5	31,5	0,2597				560	15	160	28,8	31,8	0,2650				600	35	180	30,2	33,2	0,2862				630	50	195	31,2	34,2	0,3021			650	60	205	31,9	34,9	0,3127		700	85	230	33,6	36,6	0,3392		710	90	235	33,9	36,9		0,3445		750	110	255	35,3		38,3	0,3657	800	135		280	37	40	0,3922		560 x	900	185	330	40,4	43,4	0,4452	BFN	800		135	280	40,3	43,3	0,4514	BFN		1000		235	380	43,9	46,9	0,4982			180		-	-	16	17,7	0,0648			200		-	-	16,7	18,4	0,0756			225		-	-	17,5	19,2	0,0891			250		-	5	18,4	20,1	0,1026			280	-	20	19,4	21,1	0,1188		300	-	30	20,1	21,8	0,1296	315	-	37	20,7		22,4	0,1377		355	-	57	22		23,7		0,1593	400	-	80	23,6	25,3			0,1836																																																																																																																																																																																																																																																																																																																																																																																																																																																																																																																																																																																																																																																																																																																																																																																																																																																																																																																																																																																																																																																																																																																																																																																																																																										
	315	-	37	20,4	22,1		0,1352		355	-	57	21,8		23,5	0,1564	400	-		80	23,3	25	0,1802		560 x	450	-	105	25,3	28,3	0,2112	BFN	630 x		630	50	195	39,1	42,1	0,4292		BFN		500	-	130	26,8	29,8	0,2332				550	10	155	28,5	31,5	0,2597				560	15	160	28,8	31,8	0,2650				600	35	180	30,2	33,2	0,2862				630	50	195	31,2	34,2	0,3021				650	60	205	31,9	34,9	0,3127			700	85	230	33,6	36,6	0,3392		710	90	235	33,9	36,9	0,3445		750	110	255	35,3	38,3	0,3657	800		135	280	37	40	0,3922	560 x	900	185	330		40,4	43,4	0,4452	BFN	800		135	280	40,3	43,3	0,4514	BFN		1000		235	380	43,9	46,9	0,4982			180		-	-	16	17,7	0,0648			200		-	-	16,7	18,4	0,0756			225		-	-	17,5	19,2	0,0891			250		-	5	18,4	20,1	0,1026			280		-	20	19,4	21,1	0,1188			300	-	30	20,1	21,8	0,1296		315	-	37	20,7	22,4	0,1377	355	-	57	22		23,7	0,1593	400	-	80	23,6	25,3		0,1836																																																																																																																																																																																																																																																																																																																																																																																																																																																																																																																																																																																																																																																																																																																																																																																																																																																																																																																																																																																																																																																																																																																																																																																																																																																				
	355	-	57	21,8	23,5	0,1564	400		-	80	23,3	25	0,1802	560 x	450	-	105		25,3	28,3	0,2112	BFN	630 x		630	50	195	39,1	42,1	0,4292		BFN		500	-	130	26,8	29,8	0,2332				550	10	155	28,5	31,5	0,2597				560	15	160	28,8	31,8	0,2650				600	35	180	30,2	33,2	0,2862				630	50	195	31,2	34,2	0,3021				650	60	205	31,9	34,9	0,3127				700	85	230	33,6	36,6	0,3392			710	90	235	33,9	36,9	0,3445		750	110	255	35,3	38,3	0,3657	800	135	280	37	40	0,3922	560 x	900	185	330	40,4	43,4	0,4452	BFN		800	135	280	40,3	43,3	0,4514	BFN		1000		235	380	43,9	46,9	0,4982			180		-	-	16	17,7	0,0648			200		-	-	16,7	18,4	0,0756			225		-	-	17,5	19,2	0,0891			250		-	5	18,4	20,1	0,1026			280		-	20	19,4	21,1	0,1188			300		-	30	20,1	21,8	0,1296			315	-	37	20,7	22,4	0,1377		355	-	57	22	23,7	0,1593	400	-	80	23,6	25,3	0,1836																																																																																																																																																																																																																																																																																																																																																																																																																																																																																																																																																																																																																																																																																																																																																																																																																																																																																																																																																																																																																																																																																																																																																																																																																																																												
400	-	80	23,3	25	0,1802	560 x	450	-	105	25,3	28,3	0,2112	BFN		630 x	630	50	195	39,1	42,1	0,4292		BFN		500	-	130	26,8	29,8	0,2332				550	10	155	28,5	31,5	0,2597				560	15	160	28,8	31,8	0,2650				600	35	180	30,2	33,2	0,2862				630	50	195	31,2	34,2	0,3021				650	60	205	31,9	34,9	0,3127				700	85	230	33,6	36,6	0,3392				710	90	235	33,9	36,9	0,3445			750	110	255	35,3	38,3	0,3657		800	135	280	37	40	0,3922	560 x	900	185	330	40,4	43,4		0,4452	BFN	800	135	280	40,3			43,3	0,4514	BFN	1000	235	380			43,9		46,9	0,4982	180	-	-			16		17,7	0,0648	200	-	-			16,7		18,4	0,0756	225	-	-			17,5		19,2	0,0891	250	-	5			18,4		20,1	0,1026	280	-	20			19,4		21,1	0,1188	300	-	30			20,1		21,8	0,1296	315	-	37			20,7	22,4	0,1377	355	-	57		22	23,7	0,1593	400	-	80	23,6	25,3	0,1836																																																																																																																																																																																																																																																																																																																																																																																																																																																																																																																																																																																																																																																																																																																																																																																																																																																																																																																																																																																																																																																																																																																																																																																																																																																															
560 x	450	-	105	25,3	28,3		0,2112	BFN	630 x	630	50	195			39,1	42,1	0,4292	BFN																																																																																																																																																																																																																																																																																																																																																																																																																																																																																																																																																																																																																																																																																																																																																																																																																																																																																																																																																																																																																																																																																																																																																																																																																																																																																																																																																																																																																																																															
	500	-	130	26,8	29,8		0,2332		550	10	155	28,5			31,5	0,2597	560		15	160	28,8				31,8	0,2650	600	35	180	30,2				33,2	0,2862	630	50	195	31,2				34,2	0,3021	650	60	205	31,9				34,9	0,3127	700	85	230	33,6				36,6	0,3392	710	90	235	33,9				36,9	0,3445	750	110	255	35,3			38,3	0,3657	800	135	280	37	40	0,3922		560 x	900	185	330	40,4	43,4	0,4452	BFN	800	135	280	40,3	43,3	0,4514	BFN	1000	235	380	43,9	46,9	0,4982	180		-	-	16	17,7	0,0648		200		-	-	16,7	18,4			0,0756	225		-	-	17,5			19,2		0,0891	250	-	5	18,4			20,1		0,1026	280	-	20	19,4			21,1		0,1188	300	-	30	20,1			21,8		0,1296	315	-	37	20,7			22,4		0,1377	355	-	57	22			23,7	0,1593	400	-	80	23,6	25,3		0,1836																																																																																																																																																																																																																																																																																																																																																																																																																																																																																																																																																																																																																																																																																																																																																																																																																																																																																																																																																																																																																																																																																																																																																																																																																																																																																								
	550	10	155	28,5	31,5		0,2597		560	15	160	28,8			31,8	0,2650	600		35	180	30,2				33,2	0,2862	630	50	195	31,2				34,2	0,3021	650	60	205	31,9				34,9	0,3127	700	85	230	33,6				36,6	0,3392	710	90	235	33,9				36,9	0,3445	750	110	255	35,3			38,3	0,3657	800	135	280	37	40	0,3922		560 x	900	185	330	40,4	43,4	0,4452	BFN	800		135	280	40,3	43,3	0,4514	BFN		1000	235	380	43,9	46,9	0,4982		180	-	-	16	17,7	0,0648	200		-	-	16,7	18,4	0,0756		225		-	-	17,5	19,2			0,0891	250		-	5	18,4			20,1		0,1026	280	-	20	19,4			21,1		0,1188	300	-	30	20,1			21,8		0,1296	315	-	37	20,7			22,4		0,1377	355	-	57	22			23,7	0,1593	400	-	80	23,6	25,3		0,1836																																																																																																																																																																																																																																																																																																																																																																																																																																																																																																																																																																																																																																																																																																																																																																																																																																																																																																																																																																																																																																																																																																																																																																																																																																																																																																	
	560	15	160	28,8	31,8		0,2650		600	35	180	30,2			33,2	0,2862	630		50	195	31,2				34,2	0,3021	650	60	205	31,9				34,9	0,3127	700	85	230	33,6				36,6	0,3392	710	90	235	33,9				36,9	0,3445	750	110	255	35,3			38,3	0,3657	800	135	280	37	40	0,3922		560 x	900	185	330	40,4	43,4	0,4452	BFN	800		135	280	40,3	43,3	0,4514	BFN		1000		235	380	43,9	46,9	0,4982			180	-	-	16	17,7	0,0648		200	-	-	16,7	18,4	0,0756	225		-	-	17,5	19,2	0,0891		250		-	5	18,4	20,1			0,1026	280		-	20	19,4			21,1		0,1188	300	-	30	20,1			21,8		0,1296	315	-	37	20,7			22,4		0,1377	355	-	57	22			23,7	0,1593	400	-	80	23,6	25,3		0,1836																																																																																																																																																																																																																																																																																																																																																																																																																																																																																																																																																																																																																																																																																																																																																																																																																																																																																																																																																																																																																																																																																																																																																																																																																																																																																																										
	600	35	180	30,2	33,2		0,2862		630	50	195	31,2			34,2	0,3021	650		60	205	31,9				34,9	0,3127	700	85	230	33,6				36,6	0,3392	710	90	235	33,9				36,9	0,3445	750	110	255	35,3			38,3	0,3657	800	135	280	37	40	0,3922		560 x	900	185	330	40,4	43,4	0,4452	BFN	800		135	280	40,3	43,3	0,4514	BFN		1000		235	380	43,9	46,9	0,4982			180		-	-	16	17,7	0,0648			200	-	-	16,7	18,4	0,0756		225	-	-	17,5	19,2	0,0891	250		-	5	18,4	20,1	0,1026		280		-	20	19,4	21,1			0,1188	300		-	30	20,1			21,8		0,1296	315	-	37	20,7			22,4		0,1377	355	-	57	22			23,7	0,1593	400	-	80	23,6	25,3		0,1836																																																																																																																																																																																																																																																																																																																																																																																																																																																																																																																																																																																																																																																																																																																																																																																																																																																																																																																																																																																																																																																																																																																																																																																																																																																																																																																			
	630	50	195	31,2	34,2		0,3021		650	60	205	31,9			34,9	0,3127	700		85	230	33,6				36,6	0,3392	710	90	235	33,9				36,9	0,3445	750	110	255	35,3			38,3	0,3657	800	135	280	37	40	0,3922		560 x	900	185	330	40,4	43,4	0,4452	BFN	800		135	280	40,3	43,3	0,4514	BFN		1000		235	380	43,9	46,9	0,4982			180		-	-	16	17,7	0,0648			200		-	-	16,7	18,4	0,0756			225	-	-	17,5	19,2	0,0891		250	-	5	18,4	20,1	0,1026	280		-	20	19,4	21,1	0,1188		300		-	30	20,1	21,8			0,1296	315		-	37	20,7			22,4		0,1377	355	-	57	22			23,7	0,1593	400	-	80	23,6	25,3		0,1836																																																																																																																																																																																																																																																																																																																																																																																																																																																																																																																																																																																																																																																																																																																																																																																																																																																																																																																																																																																																																																																																																																																																																																																																																																																																																																																												
	650	60	205	31,9	34,9		0,3127		700	85	230	33,6			36,6	0,3392	710		90	235	33,9				36,9	0,3445	750	110	255	35,3			38,3	0,3657	800	135	280	37	40	0,3922		560 x	900	185	330	40,4	43,4	0,4452	BFN	800		135	280	40,3	43,3	0,4514	BFN		1000		235	380	43,9	46,9	0,4982			180		-	-	16	17,7	0,0648			200		-	-	16,7	18,4	0,0756			225		-	-	17,5	19,2	0,0891			250	-	5	18,4	20,1	0,1026		280	-	20	19,4	21,1	0,1188	300		-	30	20,1	21,8	0,1296		315		-	37	20,7	22,4			0,1377	355		-	57	22			23,7	0,1593	400	-	80	23,6	25,3		0,1836																																																																																																																																																																																																																																																																																																																																																																																																																																																																																																																																																																																																																																																																																																																																																																																																																																																																																																																																																																																																																																																																																																																																																																																																																																																																																																																																					
	700	85	230	33,6	36,6		0,3392		710	90	235	33,9			36,9	0,3445	750		110	255	35,3			38,3	0,3657	800	135	280	37	40	0,3922		560 x	900	185	330	40,4	43,4	0,4452	BFN	800		135	280	40,3	43,3	0,4514	BFN		1000		235	380	43,9	46,9	0,4982			180		-	-	16	17,7	0,0648			200		-	-	16,7	18,4	0,0756			225		-	-	17,5	19,2	0,0891			250		-	5	18,4	20,1	0,1026			280	-	20	19,4	21,1	0,1188		300	-	30	20,1	21,8	0,1296	315		-	37	20,7	22,4	0,1377		355		-	57	22	23,7		0,1593	400	-		80	23,6	25,3		0,1836																																																																																																																																																																																																																																																																																																																																																																																																																																																																																																																																																																																																																																																																																																																																																																																																																																																																																																																																																																																																																																																																																																																																																																																																																																																																																																																																														
	710	90	235	33,9	36,9		0,3445		750	110	255	35,3		38,3	0,3657	800	135		280	37	40	0,3922		560 x	900	185	330	40,4	43,4	0,4452	BFN	800		135	280	40,3	43,3	0,4514	BFN		1000		235	380	43,9	46,9	0,4982			180		-	-	16	17,7	0,0648			200		-	-	16,7	18,4	0,0756			225		-	-	17,5	19,2	0,0891			250		-	5	18,4	20,1	0,1026			280		-	20	19,4	21,1	0,1188			300	-	30	20,1	21,8	0,1296		315	-	37	20,7	22,4	0,1377	355		-	57	22	23,7	0,1593	400	-		80	23,6	25,3	0,1836																																																																																																																																																																																																																																																																																																																																																																																																																																																																																																																																																																																																																																																																																																																																																																																																																																																																																																																																																																																																																																																																																																																																																																																																																																																																																																																																																								
	750	110	255	35,3	38,3	0,3657	800		135	280	37	40	0,3922	560 x	900	185	330		40,4	43,4	0,4452	BFN	800		135	280	40,3	43,3	0,4514	BFN		1000		235	380	43,9	46,9	0,4982			180		-	-	16	17,7	0,0648			200		-	-	16,7	18,4	0,0756			225		-	-	17,5	19,2	0,0891			250		-	5	18,4	20,1	0,1026			280		-	20	19,4	21,1	0,1188			300		-	30	20,1	21,8	0,1296			315	-	37	20,7	22,4	0,1377		355	-	57	22	23,7	0,1593	400	-	80	23,6	25,3	0,1836																																																																																																																																																																																																																																																																																																																																																																																																																																																																																																																																																																																																																																																																																																																																																																																																																																																																																																																																																																																																																																																																																																																																																																																																																																																																																																																																																																
800	135	280	37	40	0,3922	560 x	900	185	330	40,4	43,4	0,4452	BFN		800	135	280	40,3	43,3	0,4514	BFN		1000		235	380	43,9	46,9	0,4982			180		-	-	16	17,7	0,0648			200		-	-	16,7	18,4	0,0756			225		-	-	17,5	19,2	0,0891			250		-	5	18,4	20,1	0,1026			280		-	20	19,4	21,1	0,1188			300		-	30	20,1	21,8	0,1296			315		-	37	20,7	22,4	0,1377			355	-	57	22	23,7	0,1593		400	-	80	23,6	25,3	0,1836																																																																																																																																																																																																																																																																																																																																																																																																																																																																																																																																																																																																																																																																																																																																																																																																																																																																																																																																																																																																																																																																																																																																																																																																																																																																																																																																																																						
560 x	900	185	330	40,4	43,4		0,4452	BFN	800	135	280	40,3			43,3	0,4514	BFN																																																																																																																																																																																																																																																																																																																																																																																																																																																																																																																																																																																																																																																																																																																																																																																																																																																																																																																																																																																																																																																																																																																																																																																																																																																																																																																																																																																																																																																																
	1000	235	380	43,9	46,9		0,4982		180	-	-	16			17,7	0,0648		200	-	-			16,7		18,4	0,0756	225	-	-			17,5		19,2	0,0891	250	-	5			18,4		20,1	0,1026	280	-	20			19,4		21,1	0,1188	300	-	30			20,1		21,8	0,1296	315	-	37			20,7		22,4	0,1377	355	-	57			22	23,7	0,1593	400	-	80	23,6		25,3	0,1836																																																																																																																																																																																																																																																																																																																																																																																																																																																																																																																																																																																																																																																																																																																																																																																																																																																																																																																																																																																																																																																																																																																																																																																																																																																																																																																																																																																											
	180	-	-	16	17,7		0,0648		200	-	-	16,7			18,4	0,0756		225	-	-			17,5		19,2	0,0891	250	-	5			18,4		20,1	0,1026	280	-	20			19,4		21,1	0,1188	300	-	30			20,1		21,8	0,1296	315	-	37			20,7		22,4	0,1377	355	-	57			22	23,7	0,1593	400	-	80	23,6		25,3	0,1836																																																																																																																																																																																																																																																																																																																																																																																																																																																																																																																																																																																																																																																																																																																																																																																																																																																																																																																																																																																																																																																																																																																																																																																																																																																																																																																																																																																																				
	200	-	-	16,7	18,4		0,0756		225	-	-	17,5			19,2	0,0891		250	-	5			18,4		20,1	0,1026	280	-	20			19,4		21,1	0,1188	300	-	30			20,1		21,8	0,1296	315	-	37			20,7		22,4	0,1377	355	-	57			22	23,7	0,1593	400	-	80	23,6		25,3	0,1836																																																																																																																																																																																																																																																																																																																																																																																																																																																																																																																																																																																																																																																																																																																																																																																																																																																																																																																																																																																																																																																																																																																																																																																																																																																																																																																																																																																																													
	225	-	-	17,5	19,2		0,0891		250	-	5	18,4			20,1	0,1026		280	-	20			19,4		21,1	0,1188	300	-	30			20,1		21,8	0,1296	315	-	37			20,7		22,4	0,1377	355	-	57			22	23,7	0,1593	400	-	80	23,6		25,3	0,1836																																																																																																																																																																																																																																																																																																																																																																																																																																																																																																																																																																																																																																																																																																																																																																																																																																																																																																																																																																																																																																																																																																																																																																																																																																																																																																																																																																																																																						
	250	-	5	18,4	20,1		0,1026		280	-	20	19,4			21,1	0,1188		300	-	30			20,1		21,8	0,1296	315	-	37			20,7		22,4	0,1377	355	-	57			22	23,7	0,1593	400	-	80	23,6		25,3	0,1836																																																																																																																																																																																																																																																																																																																																																																																																																																																																																																																																																																																																																																																																																																																																																																																																																																																																																																																																																																																																																																																																																																																																																																																																																																																																																																																																																																																																																															
	280	-	20	19,4	21,1		0,1188		300	-	30	20,1			21,8	0,1296		315	-	37			20,7		22,4	0,1377	355	-	57			22	23,7	0,1593	400	-	80	23,6		25,3	0,1836																																																																																																																																																																																																																																																																																																																																																																																																																																																																																																																																																																																																																																																																																																																																																																																																																																																																																																																																																																																																																																																																																																																																																																																																																																																																																																																																																																																																																																								
	300	-	30	20,1	21,8		0,1296		315	-	37	20,7			22,4	0,1377		355	-	57			22	23,7	0,1593	400	-	80	23,6		25,3	0,1836																																																																																																																																																																																																																																																																																																																																																																																																																																																																																																																																																																																																																																																																																																																																																																																																																																																																																																																																																																																																																																																																																																																																																																																																																																																																																																																																																																																																																																																	
	315	-	37	20,7	22,4		0,1377		355	-	57	22		23,7	0,1593	400		-	80	23,6		25,3	0,1836																																																																																																																																																																																																																																																																																																																																																																																																																																																																																																																																																																																																																																																																																																																																																																																																																																																																																																																																																																																																																																																																																																																																																																																																																																																																																																																																																																																																																																																										
	355	-	57	22	23,7	0,1593	400		-	80	23,6	25,3	0,1836																																																																																																																																																																																																																																																																																																																																																																																																																																																																																																																																																																																																																																																																																																																																																																																																																																																																																																																																																																																																																																																																																																																																																																																																																																																																																																																																																																																																																																																																				
400	-	80	23,6	25,3	0,1836																																																																																																																																																																																																																																																																																																																																																																																																																																																																																																																																																																																																																																																																																																																																																																																																																																																																																																																																																																																																																																																																																																																																																																																																																																																																																																																																																																																																																																																																												

Sizes in increments of 5 mm can be manufactured on request.

* For designs with BKN a weight of 0.5 kg must be added.

A x B [mm]	Damper blade overlaps		Weight		Free area S _f [m ²]	Spring return actuator	A x B [mm]	Damper blade overlaps		Weight		Free area S _f [m ²]	Spring return actuator	
	a [mm]	c [mm]	Man. [kg]	Actu. [kg]*				a [mm]	c [mm]	Man. [kg]	Actu. [kg]*			
630 x	900	185	330	44	47	0,5124	BF	450	-	105	29,5	32,5	0,2691	BFN
	1000	235	380	47,7	50,7	0,5734		500	-	130	31,5	34,5	0,3036	
	180	-	-	17,6	20,6	0,0756	710 x	550	10	155	33,5	36,5	0,3381	BF
	200	-	-	18,4	21,4	0,0882		560	15	160	33,9	36,9	0,3450	
	225	-	-	19,3	22,3	0,1040		600	35	180	35,5	38,5	0,3726	
	250	-	5	20,3	23,3	0,1197		630	50	195	36,7	39,7	0,3933	
	280	-	20	21,4	24,4	0,1386		650	60	205	37,5	40,5	0,4071	
	300	-	30	22,2	25,2	0,1512		700	85	230	39,5	42,5	0,4416	
	315	-	37	22,7	25,7	0,1607		710	90	235	39,9	42,9	0,4485	
	355	-	57	24,3	27,3	0,1859		750	110	255	41,5	44,5	0,4761	
400	-	80	26	29	0,2142	710 x		800	135	280	43,5	46,5	0,5106	
650 x	450	-	105	27,9	30,9	0,2457		BFN	900	185	330	47,5	50,5	
	500	-	130	29,7	32,7	0,2772	1000		235	380	51,5	54,5	0,6486	
	550	10	155	31,6	34,6	0,3087	180		-	-	19,5	22,5	0,0876	
	560	15	160	32	35	0,3150	200		-	-	20,3	23,3	0,1022	
	600	35	180	33,5	36,5	0,3402	225		-	-	21,3	24,3	0,1205	
	630	50	195	34,7	37,7	0,3591	250		-	5	22,4	25,4	0,1387	
	650	60	205	35,4	38,4	0,3717	280		-	20	23,6	26,6	0,1606	
	700	85	230	37,3	40,3	0,4032	300		-	30	24,5	27,5	0,1752	
	710	90	235	37,7	40,7	0,4095	315		-	37	25,1	28,1	0,1862	
	750	110	255	39,2	42,2	0,4347	355		-	57	26,7	29,7	0,2154	
650 x	800	135	280	41,1	44,1	0,4662	BF	400	-	80	28,6	31,6	0,2482	
	900	185	330	44,9	47,9	0,5292		450	-	105	30,7	33,7	0,2847	
	1000	235	380	48,7	51,7	0,5922		500	-	130	32,7	35,7	0,3212	
	180	-	-	18,6	21,6	0,0816		550	10	155	34,8	37,8	0,3577	
	200	-	-	19,4	22,4	0,0952		560	15	160	35,2	38,2	0,3650	
	225	-	-	20,3	23,3	0,1122		600	35	180	36,9	39,9	0,3942	
	250	-	5	21,3	24,3	0,1292		630	50	195	38,1	41,1	0,4161	
	280	-	20	22,5	25,5	0,1496		650	60	205	39	42	0,4307	
	300	-	30	23,3	26,3	0,1632		700	85	230	41	44	0,4672	
	315	-	37	23,9	26,9	0,1734		710	90	235	41,4	44,4	0,4745	
700 x	355	-	57	25,5	28,5	0,2006	BFN	750	110	255	43,1	46,1	0,5037	
	400	-	80	27,3	30,3	0,2312		800	135	280	45,2	48,2	0,5402	
	450	-	105	29,3	32,3	0,2652		900	185	330	49,3	52,3	0,6132	
	500	-	130	31,2	34,2	0,2992		1000	235	380	53,5	56,5	0,6862	
	550	10	155	33,2	36,2	0,3332		180	-	-	20,4	23,4	0,0936	
	560	15	160	33,6	36,6	0,3400		200	-	-	21,3	24,3	0,1092	
	600	35	180	35,2	38,2	0,3672		225	-	-	22,3	25,3	0,1287	
	630	50	195	36,4	39,4	0,3876		250	-	5	23,4	26,4	0,1482	
	650	60	205	37,2	40,2	0,4012		280	-	20	24,7	27,7	0,1716	
	700	85	230	39,2	42,2	0,4352		300	-	30	25,6	28,6	0,1872	
700 x	710	90	235	39,6	42,6	0,4420	BF	315	-	37	26,2	29,2	0,1989	
	750	110	255	41,2	44,2	0,4692		355	-	57	28	31	0,2301	
	800	135	280	43,1	46,1	0,5032		400	-	80	29,9	32,9	0,2652	
	900	185	330	47,1	50,1	0,5712		450	-	105	32,1	35,1	0,3042	
	1000	235	380	51,1	54,1	0,6392		500	-	130	34,2	37,2	0,3432	
	180	-	-	18,7	21,7	0,0828		550	10	155	36,4	39,4	0,3822	
	200	-	-	19,5	22,5	0,0966		560	15	160	36,8	39,8	0,3900	
	225	-	-	20,5	23,5	0,1139		600	35	180	38,6	41,6	0,4212	
	250	-	5	21,5	24,5	0,1311		630	50	195	39,9	42,9	0,4446	
	280	-	20	22,7	25,7	0,1518		650	60	205	40,7	43,7	0,4602	
710 x	300	-	30	23,5	26,5	0,1656	BFN	700	85	230	42,9	45,9	0,4992	
	315	-	37	24,1	27,1	0,1760		710	90	235	43,3	46,3	0,5070	
	355	-	57	25,7	28,7	0,2036		750	110	255	45	48	0,5382	
	400	-	80	27,5	30,5	0,2346		800	135	280	47,2	50,2	0,5772	

Sizes in increments of 5 mm can be manufactured on request.

* For designs with BKN a weight of 0.5 kg must be added.

A x B [mm]	Damper blade overlaps		Weight		Free area S _f [m ²]	Spring return actuator	A x B [mm]	Damper blade overlaps		Weight		Free area S _f [m ²]	Spring return actuator
	a [mm]	c [mm]	Man. [kg]	Actu. [kg]*				a [mm]	c [mm]	Man. [kg]	Actu. [kg]*		
800 x	900	185	330	51,5	54,5	0,6552	BF	450	-	105	40,5	43,5	0,4212
	1000	235	380	55,9	58,9	0,7332		500	-	130	43,2	46,2	0,4752
900 x	180	-	-	22,2	25,2	0,1056	BFL	550	10	155	45,9	48,9	0,5292
	200	-	-	23,2	26,2	0,1232		560	15	160	46,5	49,5	0,5400
	225	-	-	24,3	27,3	0,1452		600	35	180	48,6	51,6	0,5832
	250	-	5	25,5	28,5	0,1672		630	50	195	50,2	53,2	0,6156
	280	-	20	26,9	29,9	0,1936		650	60	205	51,3	54,3	0,6372
	300	-	30	27,9	30,9	0,2112		700	85	230	54	57	0,6912
	315	-	37	28,6	31,6	0,2244		710	90	235	54,6	57,6	0,7020
	355	-	57	30,4	33,4	0,2596		750	110	255	56,7	59,7	0,7452
	400	-	80	32,5	35,5	0,2992		800	135	280	59,4	62,4	0,7992
	450	-	105	34,9	37,9	0,3432		900	185	330	64,8	67,8	0,9072
900 x	500	-	130	37,2	40,2	0,3872	BF	1000	235	380	70,2	73,2	1,0152
	550	10	155	39,6	42,6	0,4312		180	-	-	28,7	31,7	0,1476
	560	15	160	40	43	0,4400		200	-	-	29,9	32,9	0,1722
	600	35	180	41,9	44,9	0,4752		225	-	-	31,4	34,4	0,2030
	630	50	195	43,3	46,3	0,5016		250	-	5	32,8	35,8	0,2337
	650	60	205	44,3	47,3	0,5192		280	-	20	34,6	37,6	0,2706
	700	85	230	46,6	49,6	0,5632		300	-	30	35,8	38,8	0,2952
	710	90	235	47,1	50,1	0,5720		315	-	37	36,7	39,7	0,3137
	750	110	255	48,9	51,9	0,6072		355	-	57	39,1	42,1	0,3629
	800	135	280	51,3	54,3	0,6512		400	-	80	41,8	44,8	0,4182
1000 x	900	185	330	56	59	0,7392	BFL	450	-	105	44,7	47,7	0,4797
	1000	235	380	60,6	63,6	0,8272		500	-	130	47,7	50,7	0,5412
	180	-	-	24,1	27,1	0,1176		550	10	155	50,7	53,7	0,6027
	200	-	-	25,1	28,1	0,1372		560	15	160	51,3	54,3	0,6150
	225	-	-	26,4	29,4	0,1617		600	35	180	53,6	56,6	0,6642
	250	-	5	27,6	30,6	0,1862		630	50	195	55,4	58,4	0,7011
	280	-	20	29,1	32,1	0,2156		650	60	205	56,6	59,6	0,7257
	300	-	30	30,1	33,1	0,2352		700	85	230	59,6	62,6	0,7872
	315	-	37	30,9	33,9	0,2499		710	90	235	60,2	63,2	0,7995
	355	-	57	32,9	35,9	0,2891		750	110	255	62,6	65,6	0,8487
1000 x	400	-	80	35,2	38,2	0,3332	BFN	800	135	280	65,5	68,5	0,9102
	450	-	105	37,7	40,7	0,3822		900**	185	330	71,5	74,5	1,0332
	500	-	130	40,2	43,2	0,4312		1000**	235	380	77,4	80,4	1,1562
	550	10	155	42,7	45,7	0,4802		180	-	-	31,4	34,4	0,1656
	560	15	160	43,2	46,2	0,4900		200	-	-	32,7	35,7	0,1932
	600	35	180	45,3	48,3	0,5292		225	-	-	34,4	37,4	0,2277
	630	50	195	46,8	49,8	0,5586		250	-	5	36	39	0,2622
	650	60	205	47,8	50,8	0,5782		280	-	20	37,9	40,9	0,3036
	700	85	230	50,3	53,3	0,6272		300	-	30	39,2	42,2	0,3312
	710	90	235	50,8	53,8	0,6370		315	-	37	40,2	43,2	0,3519
1100 x	750	110	255	52,8	55,8	0,6762	BF	355	-	57	42,8	45,8	0,4071
	800	135	280	55,3	58,3	0,7252		400	-	80	45,7	48,7	0,4692
	900	185	330	60,4	63,4	0,8232		450	-	105	48,9	51,9	0,5382
	1000	235	380	65,4	68,4	0,9212		500	-	130	52,2	55,2	0,6072
	180	-	-	25,9	28,9	0,1296		550	10	155	55,4	58,4	0,6762
	200	-	-	27	30	0,1512		560	15	160	56,1	59,1	0,6900
	225	-	-	28,4	31,4	0,1782		600	35	180	58,7	61,7	0,7452
	250	-	5	29,7	32,7	0,2052		630**	50	195	60,6	63,6	0,7866
	280	-	20	31,3	34,3	0,2376		650**	60	205	61,9	64,9	0,8142
	300	-	30	32,4	35,4	0,2592		700**	85	230	65,2	68,2	0,8832
1100 x	315	-	37	33,2	36,2	0,2754	BFN	710**	90	235	65,8	68,8	0,8970
	355	-	57	35,4	38,4	0,3186		750**	110	255	68,4	71,4	0,9522
	400	-	80	37,8	40,8	0,3672		800**	135	280	71,6	74,6	1,0212

Sizes in increments of 5 mm can be manufactured on request.

* For designs with BKN a weight of 0.5 kg must be added.

** Two closing springs are used for these dimensions.

A x B [mm]	Damper blade overlaps		Weight		Free area S _f [m ²]	Spring return actuator	A x B [mm]	Damper blade overlaps		Weight		Free area S _f [m ²]	Spring return actuator		
	a	c	Man.	Actu.				a	c	Man.	Actu.				
	[mm]	[mm]	[kg]	[kg]*				[mm]	[mm]	[kg]	[kg]*				
1400 x	900**	185	330	78,1	81,1	1,1592	BF	1500 x 1000**	235	380	89,4	92,4	1,3912	BF	
	1000**	235	380	84,6	87,6	1,2972		180	-	-	35,1	38,1	0,1896		
	180	-	-	33,3	36,3	0,1776	BFL	200	-	-	36,6	39,6	0,2212	BFL	
	200	-	-	34,7	37,7	0,2072		225	-	-	38,4	41,4	0,2607		
	225	-	-	36,4	39,4	0,2442		250	-	5	40,2	43,2	0,3002		
	250	-	5	38,1	41,1	0,2812		280	-	20	42,3	45,3	0,3476		
	1500 x	280	-	20	40,1	43,1	0,3256	BFN	300	-	30	43,8	46,8	0,3792	BFN
		300	-	30	41,5	44,5	0,3552		315	-	37	44,8	47,8	0,4029	
		315	-	37	42,5	45,5	0,3774		355	-	57	47,7	50,7	0,4661	
		355	-	57	45,3	48,3	0,4366		400	-	80	51	54	0,5372	
400		-	80	48,3	51,3	0,5032	450		-	105	54,6	57,6	0,6162		
450		-	105	51,8	54,8	0,5772	500		-	130	58,2	61,2	0,6952		
500		-	130	55,2	58,2	0,6512	550		10	155	61,8	64,8	0,7742		
550		10	155	58,6	61,6	0,7252	560		15	160	62,5	65,5	0,7900		
560		15	160	59,3	62,3	0,7400	600		35	180	65,4	68,4	0,8532		
600		35	180	62	65	0,7992	630**		50	195	67,5	70,5	0,9006	BF	
630**	50	195	64,1	67,1	0,8436	650**	60	205	69	72	0,9322				
650**	60	205	65,4	68,4	0,8732	700**	85	230	72,6	75,6	1,0112				
700**	85	230	68,9	71,9	0,9472	710**	90	235	73,3	76,3	1,0270				
710**	90	235	69,6	72,6	0,9620	750**	110	255	76,2	79,2	1,0902				
750**	110	255	72,3	75,3	1,0212	800**	135	280	79,8	82,8	1,1692				
800**	135	280	75,7	78,7	1,0952	900**	185	330	87	90	1,3272				
1500 x 900**	185	330	82,6	85,6	1,2432	1000**	235	380	94,2	97,2	1,4852				

Sizes in increments of 5 mm can be manufactured on request.

* For designs with BKN a weight of 0.5 kg must be added.

** Two closing springs are used for these dimensions.

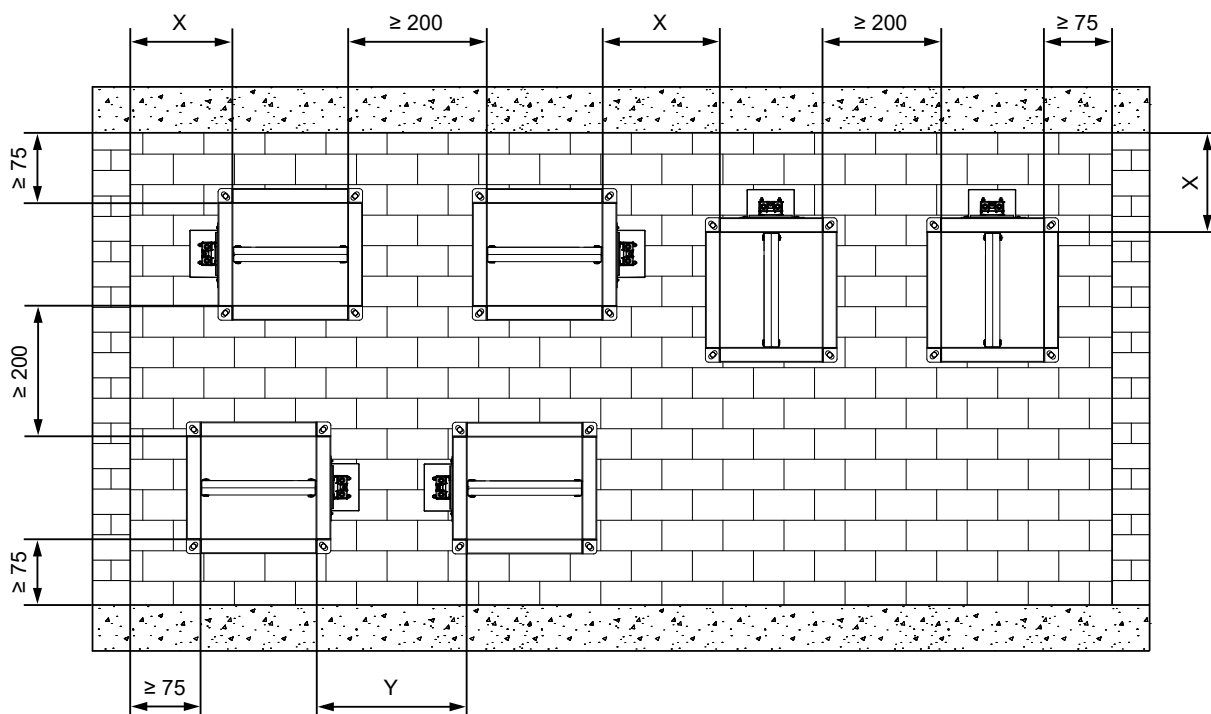
IV. INSTALLATION

Placement and installation

- The fire dampers are suitable for installation in arbitrary position in vertical and horizontal passages of fire separating constructions. The damper installation procedures must be done so that all load transfer from the fire separating constructions to the damper is absolutely excluded. Following air-conditioning duct must be suspended or supported so that all load transfer from the following duct to the fire damper is absolutely excluded. The gap between the installed damper and the fire separating construction must be perfectly filled with approved material.
- The damper must be installed so that the damper blade (in closed position) is situated in the fire separating construction - marked by the label BUILT-IN EDGE on the damper casing. If such solution is not possible, the duct between the fire separating construction and the damper blade must be protected according to the certified installation method → see pages 27 to 40
- During the installation and plastering process, the actuating mechanism must be protected (covered) against damage and pollution. The damper casing should not be deformed during bricking in. Once the damper is built in, the damper blade should not grind against the damper casing during opening or closing.
- The distance between the fire damper and the construction (wall, ceiling) must be 75 mm at the minimum, according to EN 1366-2. If two or more dampers are to be installed in one fire separating construction, the distance between adjacent dampers must be 200 mm at the minimum, according to EN 1366-2.

Minimum distance between the fire dampers and the construction

- minimum distance 200 mm between dampers, according to EN 1366-2
- minimum distance 75 mm between damper and construction (wall/ceiling), according to EN 1366-2
- recommended minimum distance 150 mm necessary for access to the actuator
- recommended minimum distance 250 mm necessary for access to the manual control and electrical components



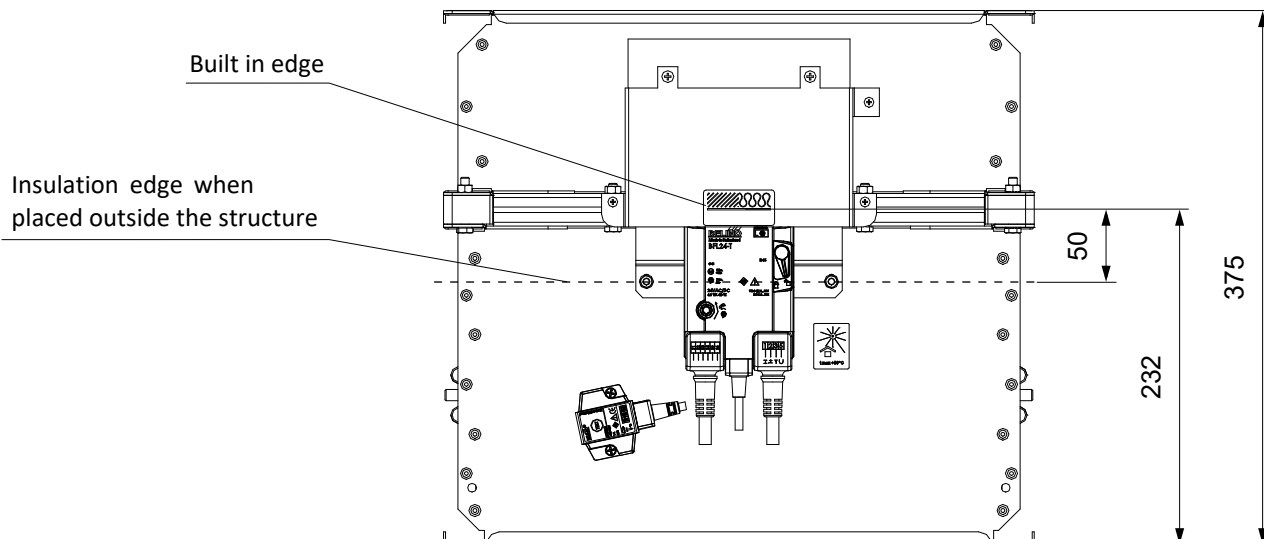
X = recommended min. distance for actuator ≥ 150 mm

X = recommended min. distance for manual control and electrical components ≥ 250 mm

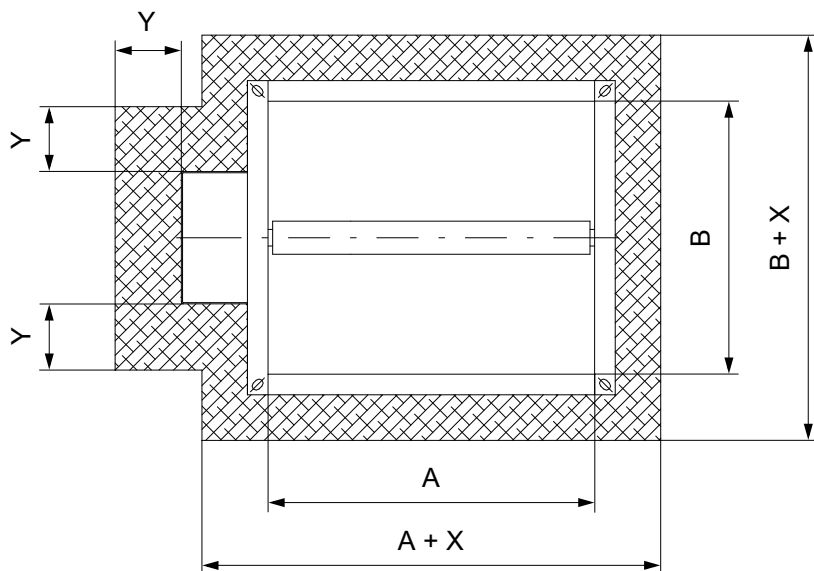
Y = min. distance for actuator ≥ 200 mm acc. to EN 1366-2

Y = recommended min. distance for manual control and electrical components ≥ 250 mm

Built in edge



Dimensions of an installation opening



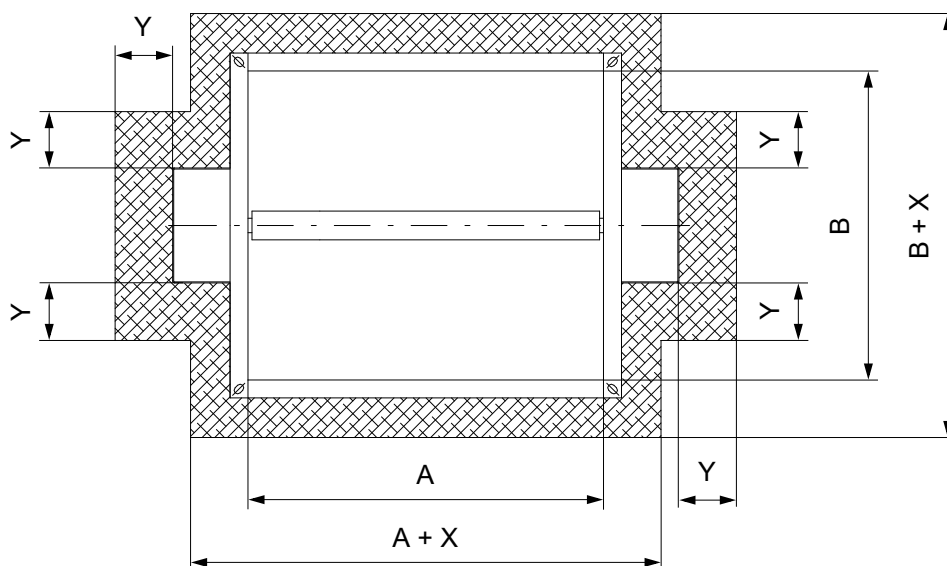
Mortar or gypsum

- X = min. A(B)+100
- X = max. A(B)+300
- Y = min. 50
- Y = max. 150

Ablative Coated Batt

- X = min. A(B)+80
- X = max. A(B)+400
- Y = min. 40
- Y = max. 200

Dimensions of an installation opening with two springs



Stuffing box with fire protective boards

- X = min. A(B)+80
- X = max. A(B)+150
- Y = min. 40
- Y = max. 75

Statement of installations

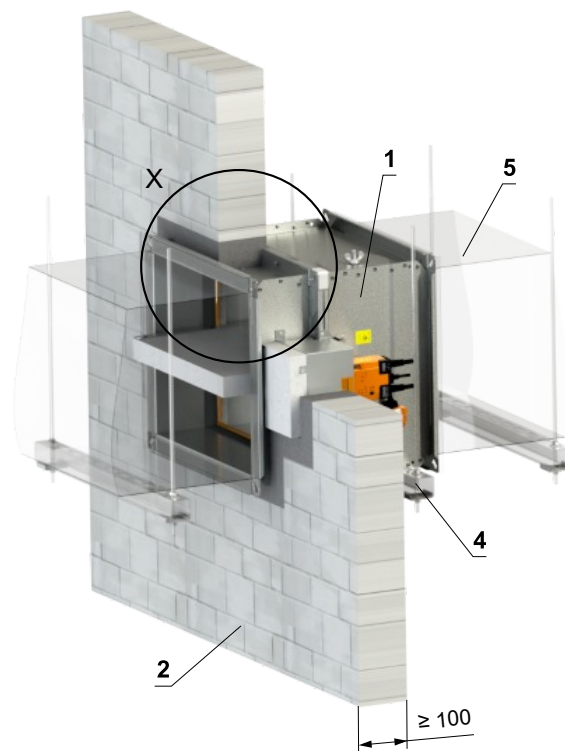
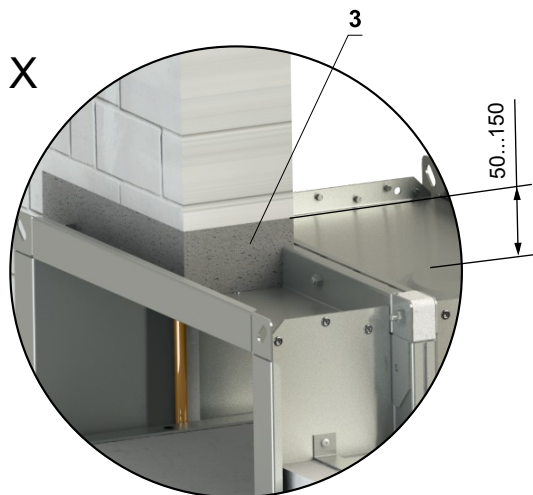
Fire separating construction, location of the damper	Installation type, installation system	Gap width [mm]	Fire resistance	Page
Standard low- and high-density rigid wall construction according to EN 1363-1 <ul style="list-style-type: none"> • damper in the wall • 100 mm min. wall thickness 	Mortar or gypsum	50–150		27
	Ablative Coated Batt	50–200	EI 90 (v _e i↔o) S	28
	Stuffing box with fire protective boards	40–75		29
Standard low- and high-density rigid wall construction according to EN 1363-1 <ul style="list-style-type: none"> • damper remote from the wall • 100 mm min. wall thickness 	Insulation of the duct with ISOVER ULTIMATE PROTECT th. 80 mm – Ablative Coated Batt	40–75	EI 60 (v _e i↔o) S	30
	Insulation of the duct with Rockwool Conlit Ductrock EIS 90 th. 60mm – Stuffing box with fire protective boards	40–75	EI 90 (v _e i↔o) S	31
Standard flexible wall construction min. EI 90 according to EN 1363-1. <ul style="list-style-type: none"> • damper in the wall • 100 mm min. wall thickness 	Mortar or gypsum	50–150		32
	Ablative Coated Batt	50–200	EI 90 (v _e i↔o) S	33
	Stuffing box with fire protective boards	40–75		34
Standard flexible wall construction min. EI 90 according to EN 1363-1 <ul style="list-style-type: none"> • damper remote from the wall • 100 mm min. wall thickness 	Insulation of the duct with ISOVER ULTIMATE PROTECT th. 80 mm – Ablative Coated Batt	40–75	EI 60 (v _e i↔o) S	35
	Insulation of the duct with Rockwool Conlit Ductrock EIS 90 th. 60mm – Stuffing box with fire protective boards	40–75	EI 90 (v _e i↔o) S	36
Standard low- and high-density rigid floor construction according to EN 1366-2 <ul style="list-style-type: none"> • damper in the ceiling • 150 mm min. ceiling thickness 	Mortar or gypsum	50–150		37
	Ablative Coated Batt	50–200	EI 90 (h _o i↔o) S	38
	Stuffing box with fire protective boards	40–75		39
Standard low- and high-density rigid floor construction according to EN 1366-2 <ul style="list-style-type: none"> • damper remote from the ceiling • 150 mm min. ceiling thickness 	Insulation of the duct with Rockwool Conlit Ductrock EIS 90 th. 60 mm – Mortar or gypsum	50–150	EI 90 (h _o i↔o) S	40

In solid wall construction

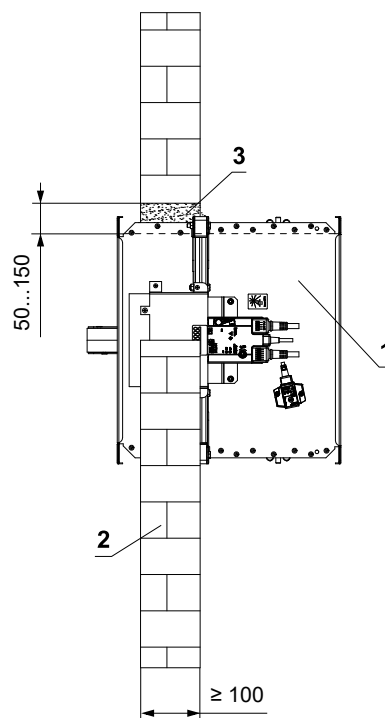
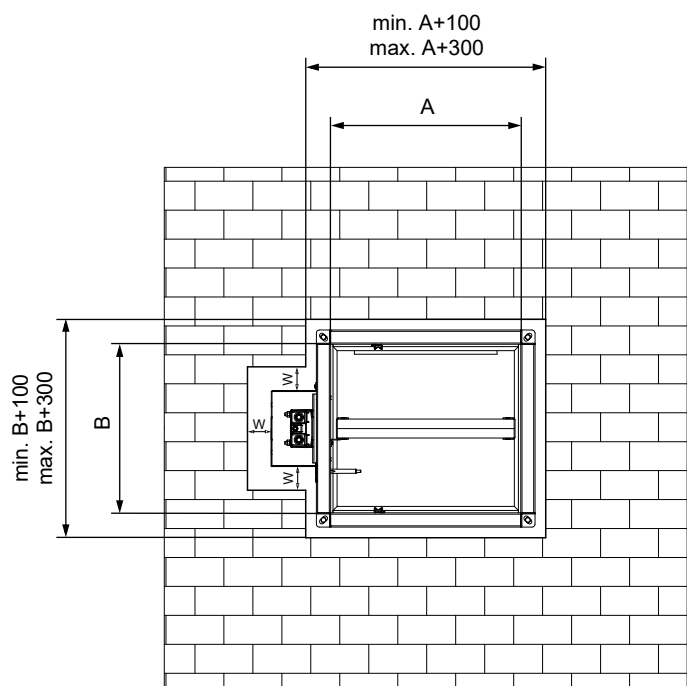
In solid wall construction - mortar or gypsum

EI 90 (v_e i↔o) S

- Standard low- and high-density rigid wall construction according to EN 1363-1
- For connection of following duct → see page 44



W = min. 50 mm
W = max. 150 mm

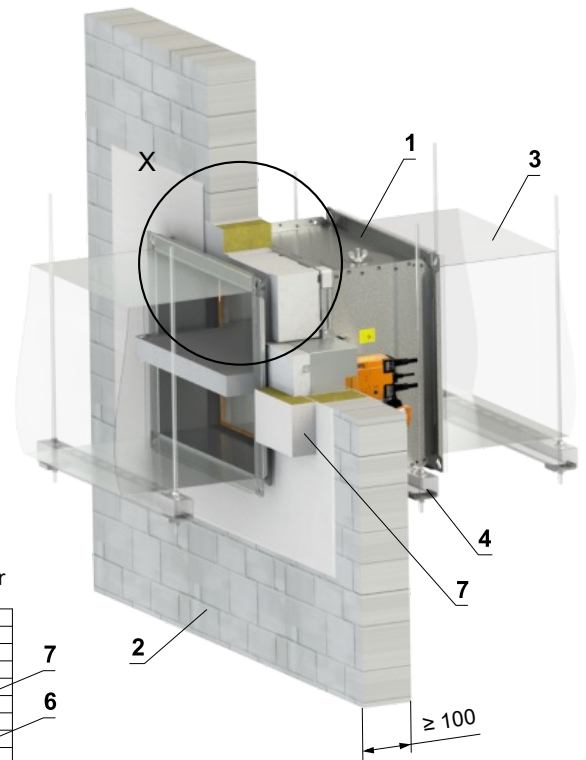
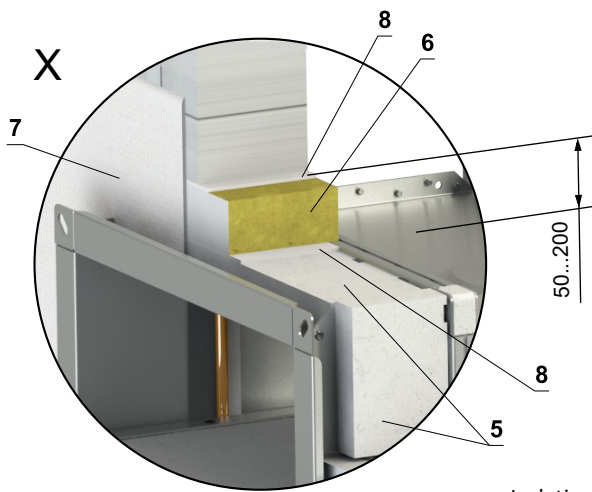


- 1 FDMA
- 2 Solid wall construction
- 3 Mortar or gypsum
- 4 Profile with threaded rod → see pages 41 to 43
- 5 Duct

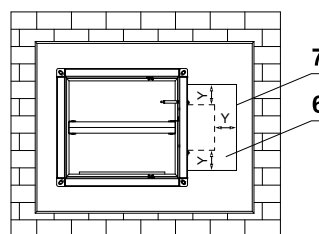
In solid wall construction - Ablative Coated Batt

EI 90 (v_e i↔o) S

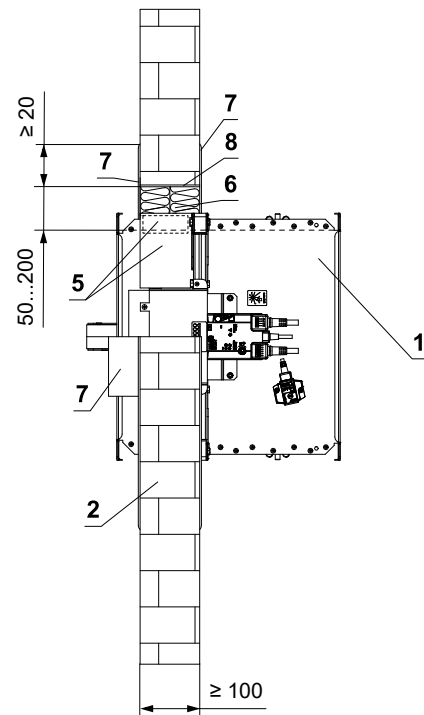
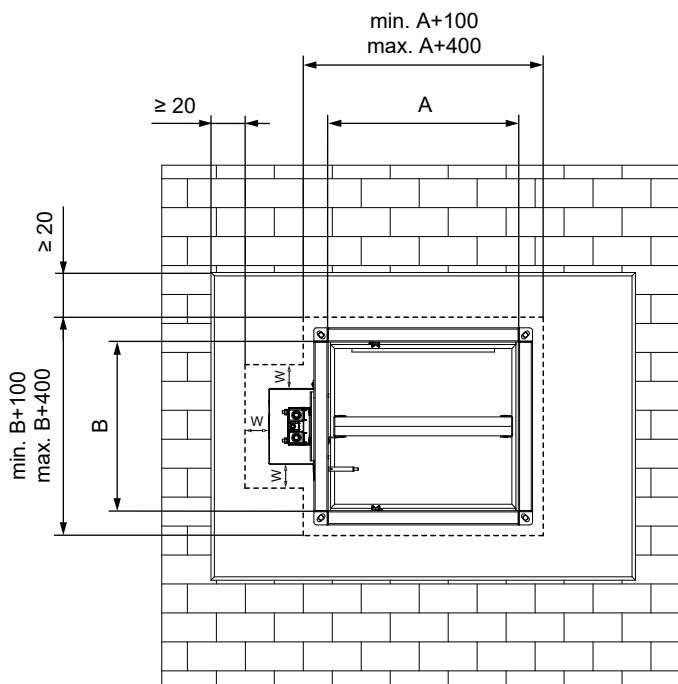
- Standard low- and high-density rigid wall construction according to EN 1363-1
- For connection of following duct → see page 44



Isolation cover of actuator



W = min. 50 mm
 W = max. 200 mm
 Y = min. 100 mm



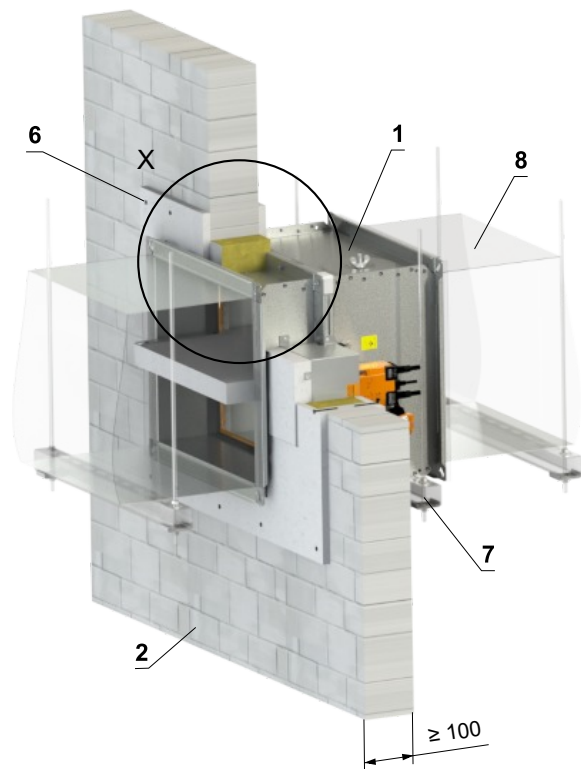
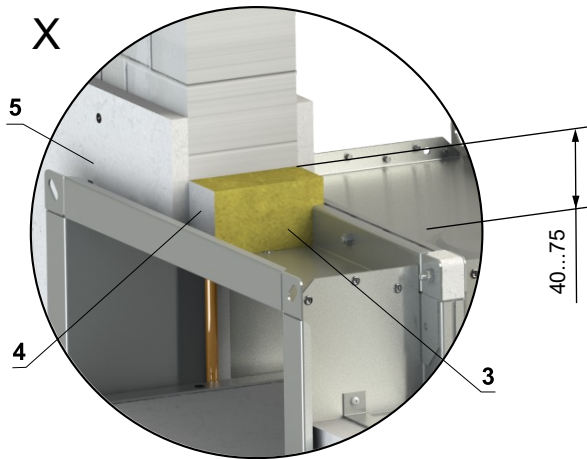
- 1 FDMA
 - 2 Solid wall construction
 - 3 Duct
 - 4 Profile with threaded rod → see pages 41 to 43
 - 5 Protective cladding board - min. th. 30 mm, min. density 750 kg/m³ (e.g. PROMATECT-MST) → see page 52
- Ablative Coated Batt System HILTI*
- 6 Mineral wool board - min. density 140 kg/m³ (HILTI CFS-CT B 1S 140/50...)
 - 7 Fire stop coating - th. 1 mm (HILTI CFS-CT...) - coating is overcoated on the support construction and on the damper casing/duct
 - 8 Fire-resistant mastic - (HILTI CFS-S ACR...) fill the gap from both sides of the fire separation construction and around the perimeter of penetration and damper casing

* HILTI system can be replaced by a similar system with the same or higher thickness, density, fire reaction class, tested according to EN 1366-3.

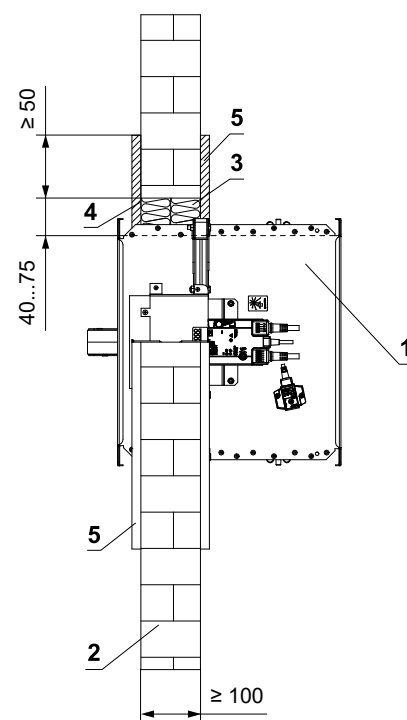
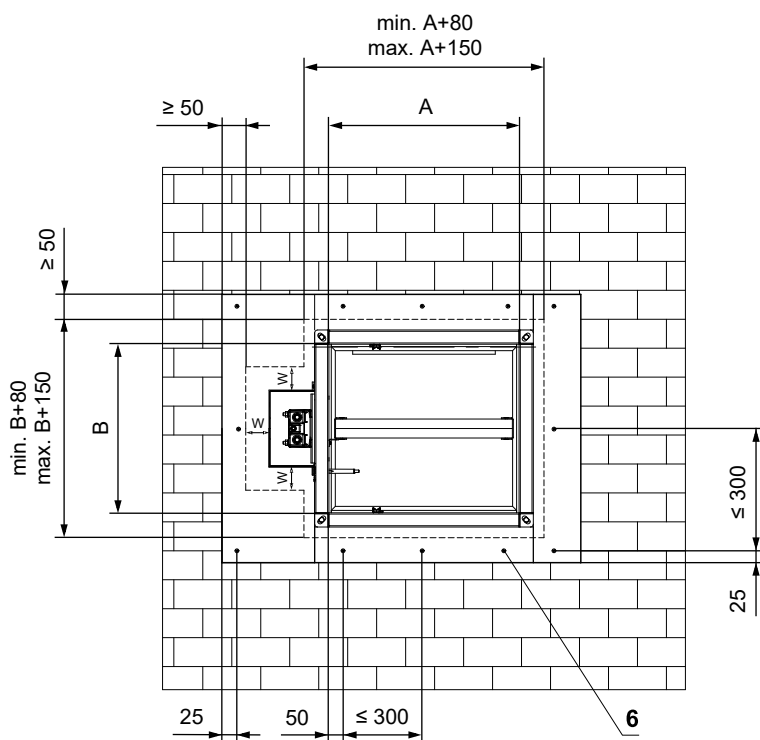
In solid wall construction - mineral wool with fire-resistant coating and fire-resistance boards

EI 90 (v_e i↔o) S

- Standard low- and high-density rigid wall construction according to EN 1363-1
- For connection of following duct → see page 44



W = min. 40 mm
W = max. 75 mm



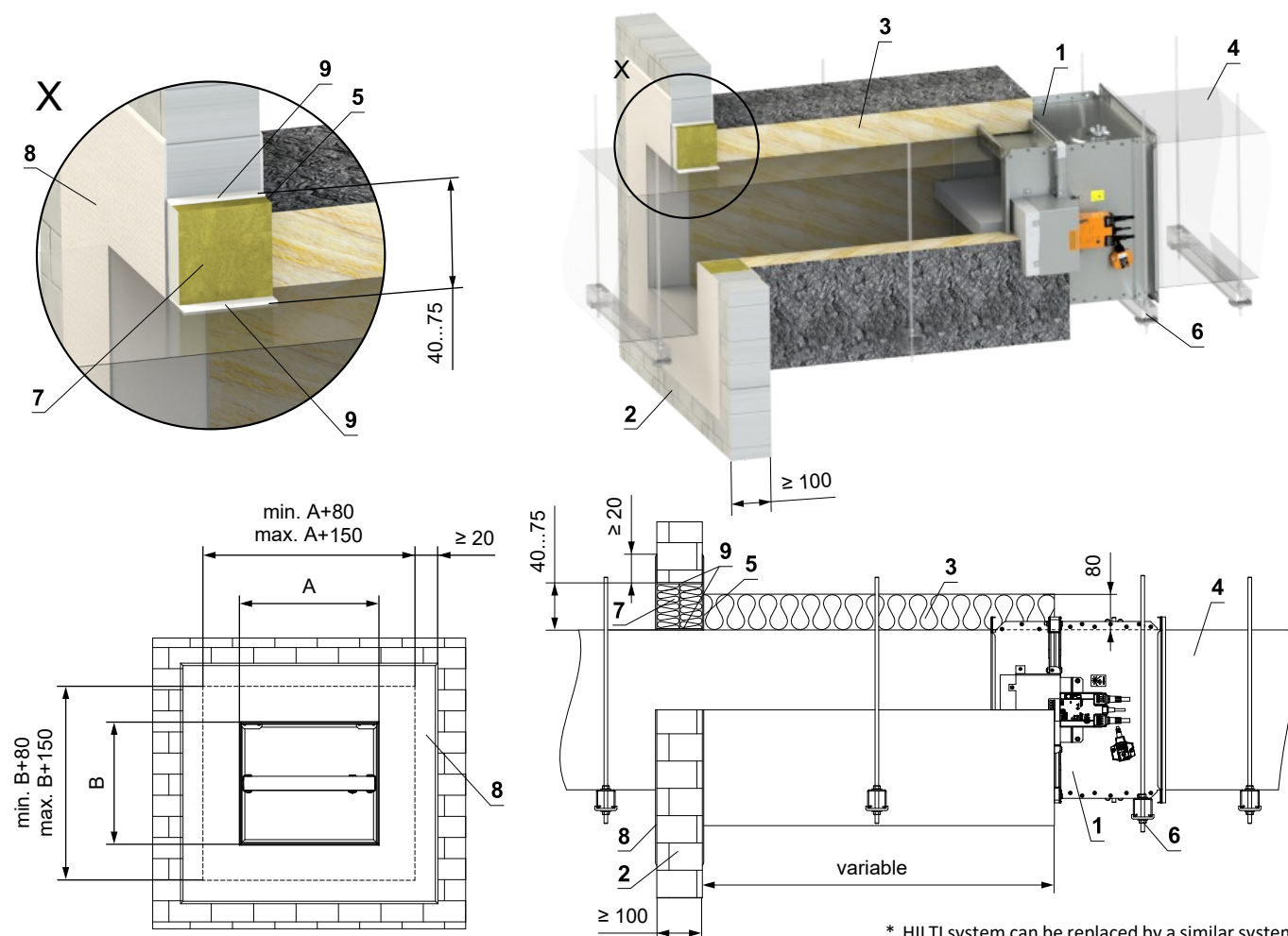
- 1 FDMA
- 2 Solid wall construction
- 3 Mineral wool board - min. density 140 kg/m³ (e.g. PROMAPYR-T150, ROCKWOOL HARDROCK / STEPROCK HD)
- 4 Fire-resistant coating - th. 1 mm (e.g. PROMASTOP-I)
- 5 Fire-resistant board - min. th. 15 mm, min. density 870 kg/m³ (e.g. PROMATECT-H)
- 6 Screw 4x50 mm - screws must be fixed in the wall construction, use steel anchors if necessary
- 7 Profile with threaded rod → see pages 41 to 43
- 8 Duct

Installation outside solid wall construction

Outside solid wall construction - ISOVER Ultimate Protect - Ablative Coated Batt

EI 60 (v_e i↔o) S

- Standard low- and high-density rigid wall construction according to EN 1363-1
- For connection of following duct → see page 44
- Minimum and maximum distance between the wall and fire damper is unlimited
- When installing the insulation, follow the ISOVER manufacturer's instructions
- The damper and the duct must be suspended separately
- The duct must be suspended on both sides of damper acc. to national rules
- Duct between fire damper and fire separating construction must be suspended by using threaded rods and mounting profiles, or another mounting system acc. to national standards
- Load of the suspension system depends on weight of the fire damper and duct system → see page 41
- Max. distance between two suspension systems is 1500 mm
- Duct at the point of penetration must be fixed to the fire separation structure
- Following air-conditioning duct must be suspended or supported so that all load transfer from the following duct to the fire damper is absolutely excluded. Adjacent duct must be suspended or supported, as required by the duct suppliers
- If the threaded rod is located inside the duct insulation, distance between threaded rod and duct is max 30 mm
- If the threaded rod is located outside the duct isolation, distance between threaded rod and isolation is max. 40 mm

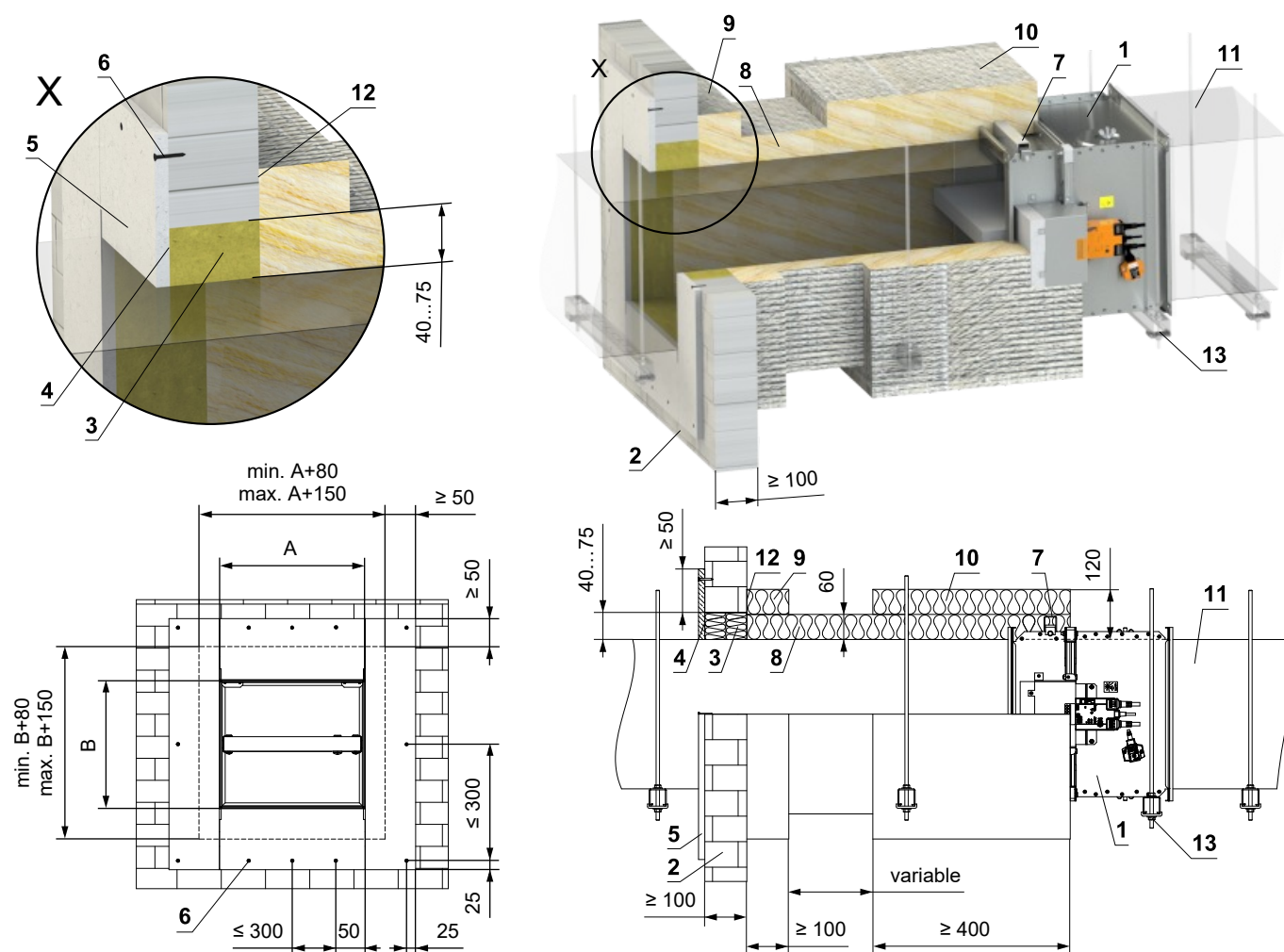


- 1 FDMA
 - 2 Solid wall construction
 - 3 Insulation board made of mineral wool, with a surface treatment of aluminum foil, min. thickness 80 mm, min. density 66 kg/m³ (System ISOVER Ultimate Protect Wired Mat 4.0 Alu1)
 - 4 Standard air duct, made of galvanized sheet metal, thickness according to damper size
 - 5 ISOVER Protect BSK glue - apply on the insulation and fix it to the fire separation construction
 - 6 Profile with threaded rod → see pages 41 to 43
- Ablative Coated Batt System HILTI*
- 7 Mineral wool board - min. density 140 kg/m³ (HILTI CFS-CT B 1S 140/50...)
 - 8 Fire stop coating - th. 1 mm (HILTI CFS-CT...) - coating is overcoated on the support construction and on the damper casing/duct
 - 9 Fire-resistant mastic - (HILTI CFS-S ACR...) fill the gap from both sides of the fire separation construction and around the perimeter of penetration and damper casing

* HILTI system can be replaced by a similar system with the same or higher thickness, density, fire reaction class, tested according to EN 1366-3.

Outside solid wall construction - mineral wool ROCKWOOL - mineral wool with fire-resistant coating EI 90 (v_e i↔o) S and fire-resistant board

- Standard low- and high-density rigid wall construction according to EN 1363-1
- For connection of following duct → see page 44
- Minimum and maximum distance between the wall and fire damper is unlimited
- When installing the insulation, follow the ROCKWOOL manufacturer's instructions
- The damper and the duct must be suspended separately
- The duct must be suspended on both sides of damper acc. to national rules
- Duct between fire damper and fire separating construction must be suspended by using threaded rods and mounting profiles, or another mounting system acc. to national standards
- Load of the suspension system depends on weight of the fire damper and duct system → see page 41
- Max. distance between two suspension systems is 1500 mm
- Duct at the point of penetration must be fixed to the fire separation structure
- Following air-conditioning duct must be suspended or supported so that all load transfer from the following duct to the fire damper is absolutely excluded. Adjacent duct must be suspended or supported, as required by the duct suppliers
- If the threaded rod is located inside the duct insulation, distance between threaded rod and duct is max 30 mm
- If the threaded rod is located outside the duct isolation, distance between threaded rod and isolation is max. 40 mm
- For this installation VRM-Q reinforcement frame must be used → see page 51



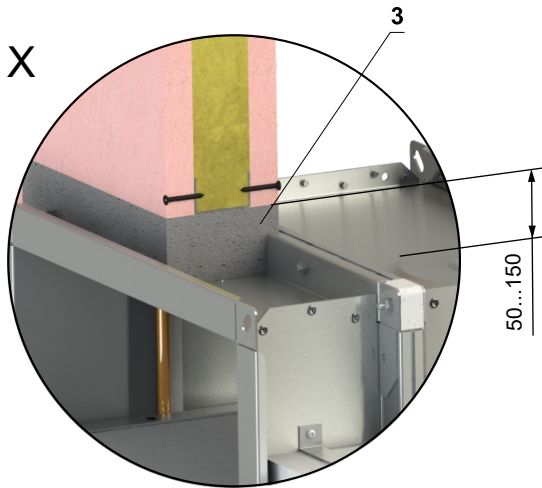
- | | |
|---|---|
| <ul style="list-style-type: none"> 1 FDMA 2 Solid wall construction 3 Mineral wool board - min. density 140 kg/m³ (e.g. PROMAPYR-T150, ROCKWOOL HARDROCK / STEP ROCK HD) 4 Fire-resistant coating - th. 1 mm (e.g. PROMASTOP-I) 5 Fire-resistant board - min. th. 15 mm, min. density 870 kg/m³ (e.g. PROMATECT-H) 6 Screw 4x50 mm - screws must be fixed in the wall construction, use steel anchors if necessary 7 VRM-Q → see page 51 | <ul style="list-style-type: none"> 8 Insulation board made of mineral wool, with a surface treatment of aluminum foil - th. 60 mm, min. density 300 kg/m³ - (System ROCKWOOL Conlit Ductrock 90) 9 Duct penetration insulation collar - th. 60 mm (System ROCKWOOL Conlit Ductrock 90) - glued (pos. 12) and fixed with screws to the wall construction 10 Insulation collar of the damper and duct connection - th. 60 mm (System ROCKWOOL Conlit Ductrock 90) 11 Standard air duct, made of galvanized sheet metal, thickness according to damper size 12 ROCKWOOL Firepro glue - apply on the insulation and fix it to the fire separation construction 13 Profile with threaded rod → see pages 41 to 43 |
|---|---|

In gypsum wall construction

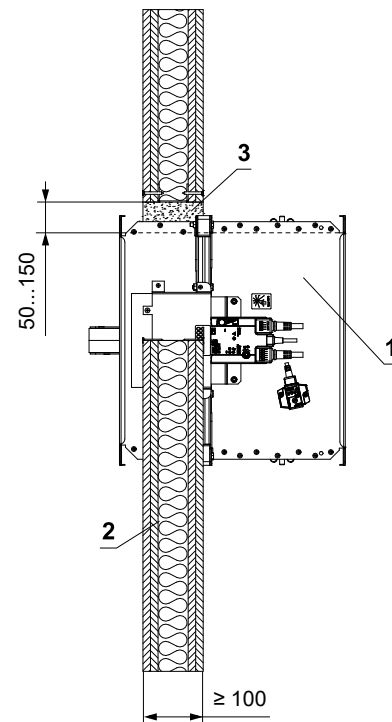
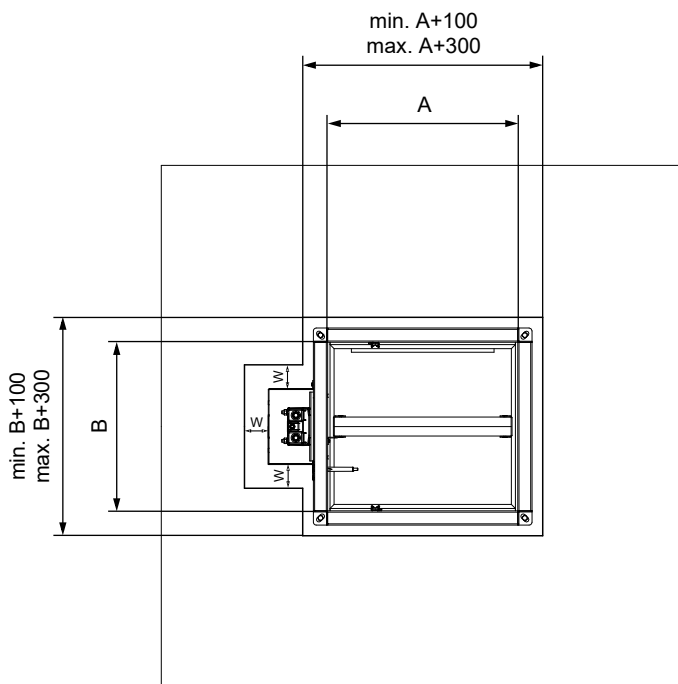
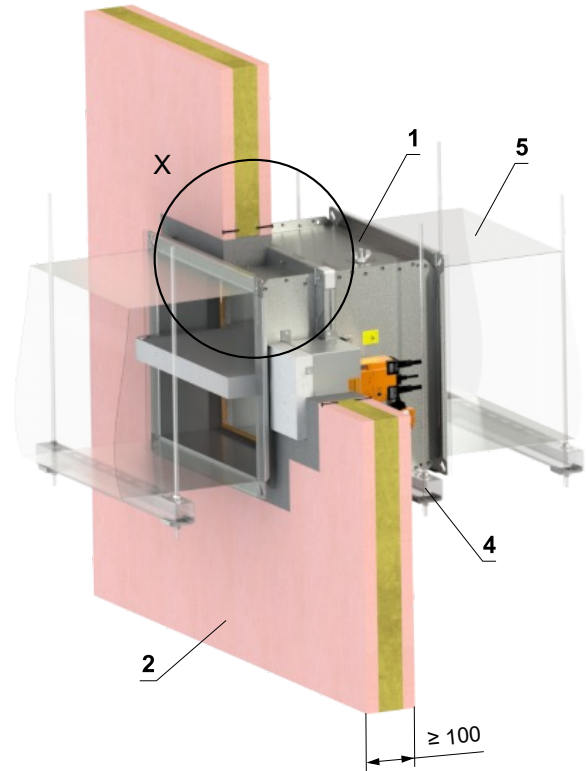
In gypsum wall construction min. EI 90 - mortar or gypsum

EI 90 (v_e i↔o) S

- Standard flexible wall construction min. EI 90 according to EN 1363-1.
- For connection of following duct → see page 44
- The installation opening is lined with a UW/CW profile.



W = min. 50 mm
W = max. 150 mm

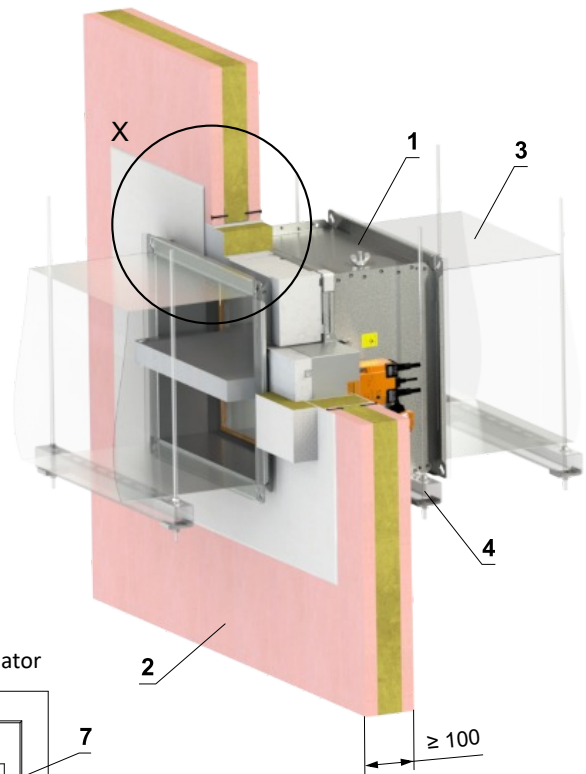
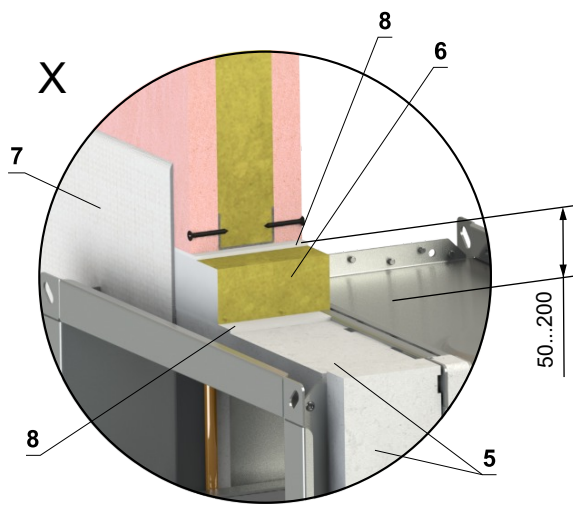


- 1 FDMA
- 2 Gypsum wall construction
- 3 Mortar or gypsum
- 4 Profile with threaded rod → see pages 41 to 43
- 5 Duct

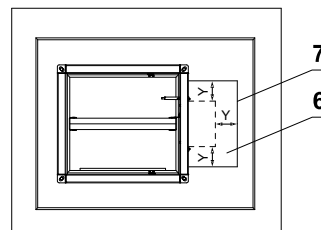
In gypsum wall construction min. EI 90 - Ablative Coated Batt

EI 90 (v_e i↔o) S

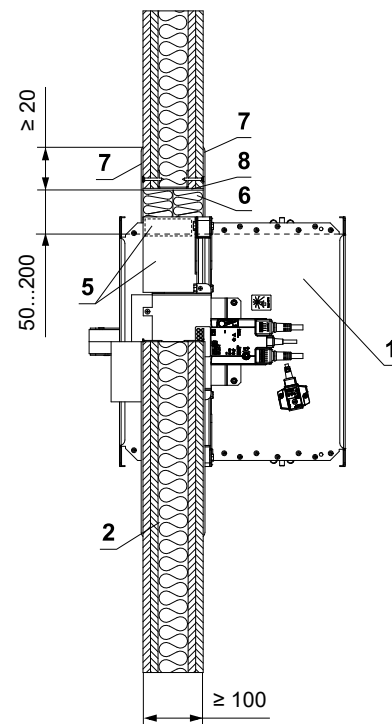
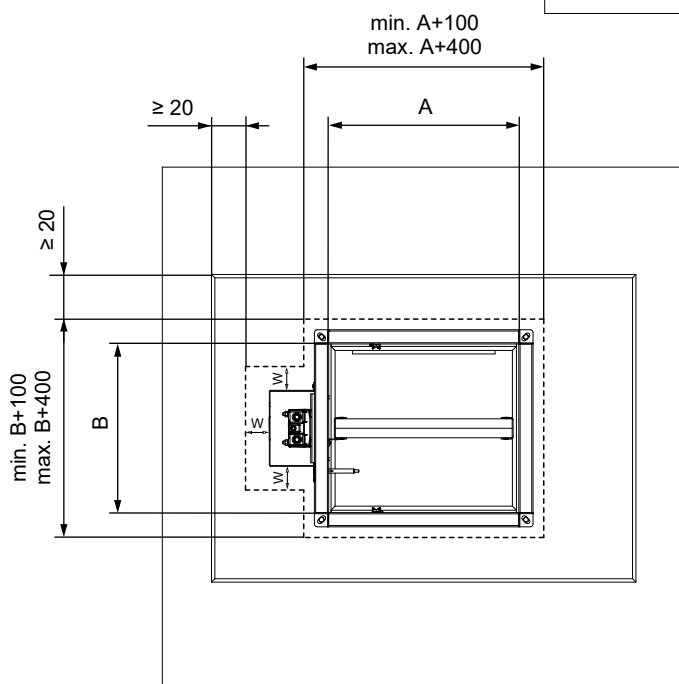
- Standard flexible wall construction min. EI 90 according to EN 1363-1.
- For connection of following duct → see page 44
- The installation opening is lined with a UW/CW profile.



Isolation cover of actuator



W = min. 50 mm
 W = max. 200 mm
 Y = min. 100 mm

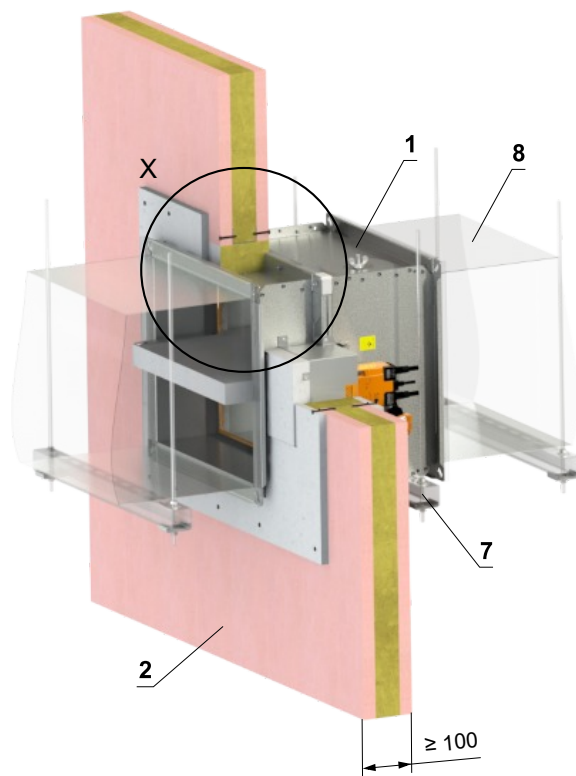
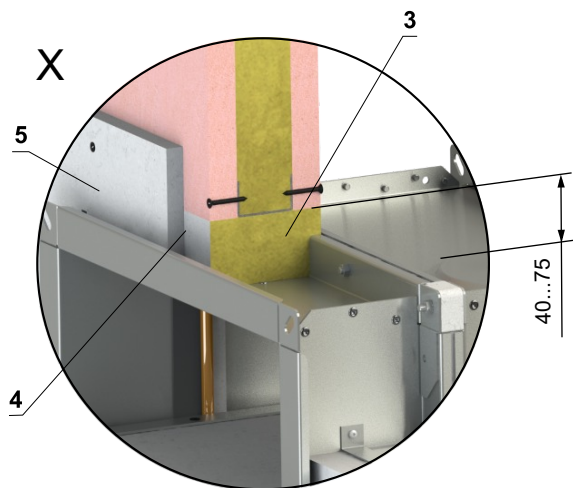


- 1 FDMA
- 2 Gypsum wall construction
- 3 Duct
- 4 Profile with threaded rod → see pages 41 to 43
- 5 Protective cladding board - min. th. 30 mm, min. density 750 kg/m³ (e.g. PROMATECT-MST) → see page 52
 Ablative Coated Batt System HILTI*
- 6 Mineral wool board - min. density 140 kg/m³ (HILTI CFS-CT B 1S 140/50...)
- 7 Fire stop coating - th. 1 mm (HILTI CFS-CT...) - coating is overcoated on the support construction and on the damper casing/duct
- 8 Fire-resistant mastic - (HILTI CFS-S ACR...) fill the gap from both sides of the fire separation construction and around the perimeter of penetration and damper casing

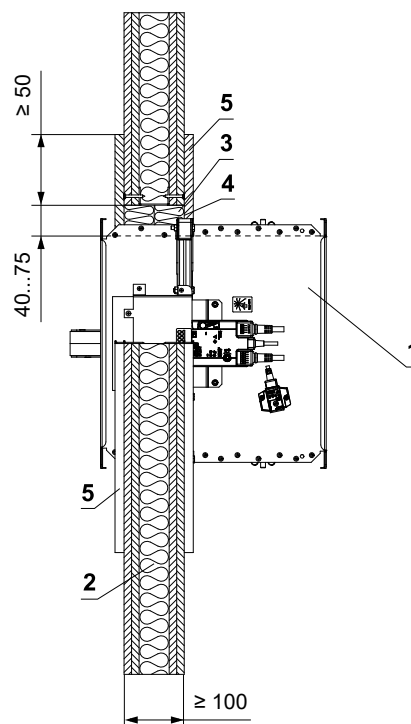
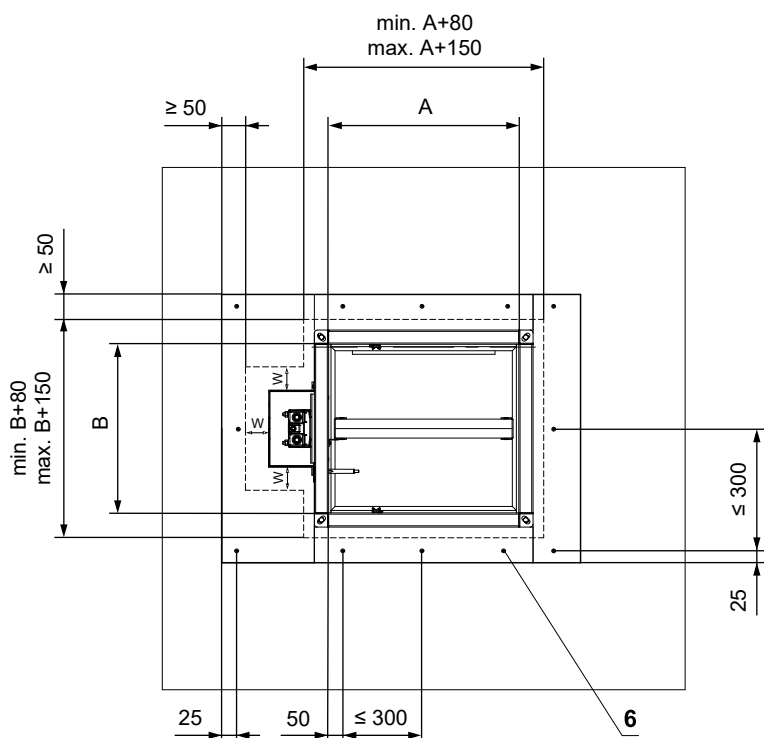
* HILTI system can be replaced by a similar system with the same or higher thickness, density, fire reaction class, tested according to EN 1366-3.

In gypsum wall construction min. EI 90 - mineral wool with fire-resistant coating and fire-resistance boards **EI 90 (v_e i↔o) S**

- Standard flexible wall construction min. EI 90 according to EN 1363-1.
- For connection of following duct → see page 44
- The installation opening is lined with a UW/CW profile.



W = min. 40 mm
W = max. 75 mm



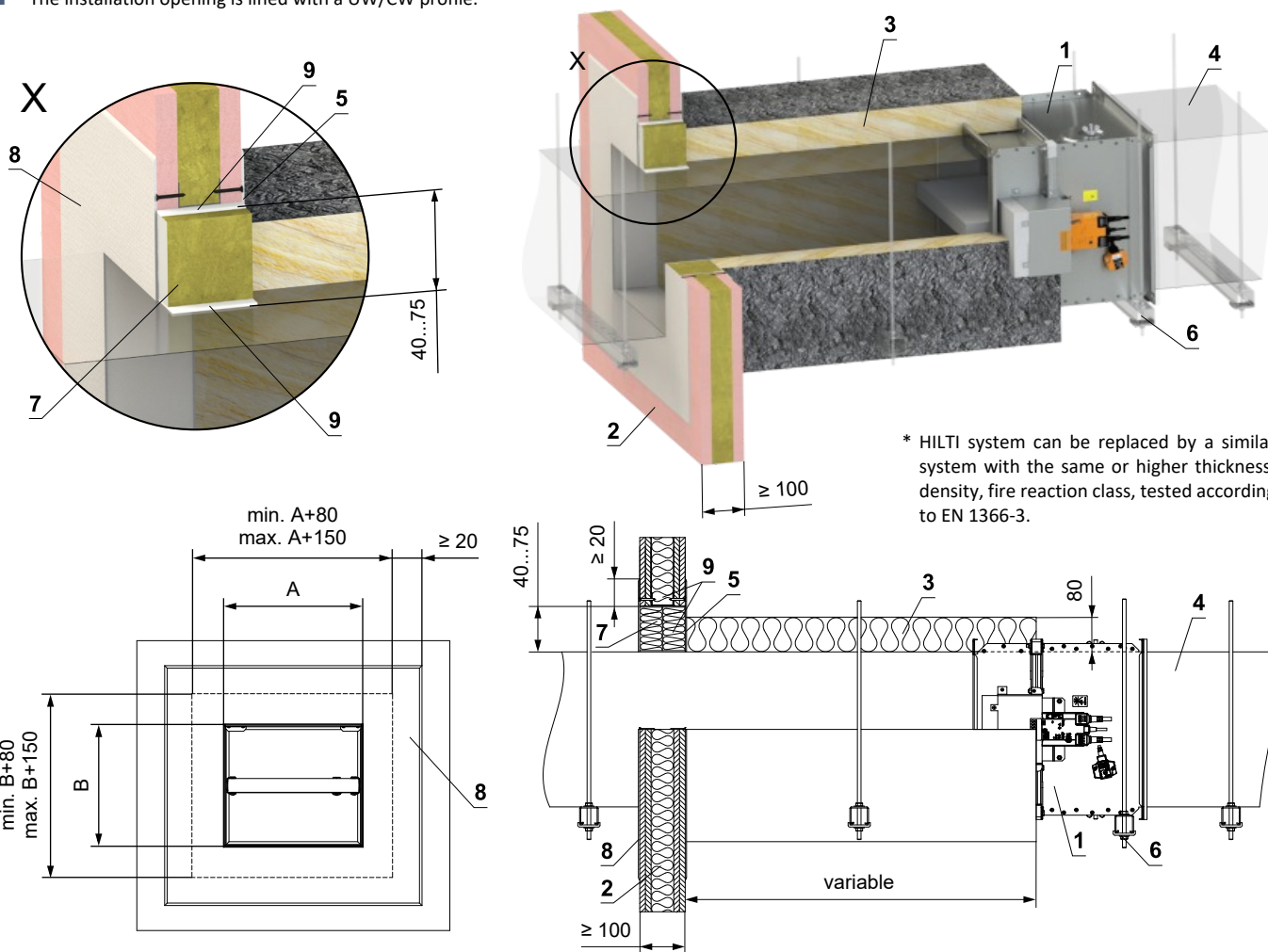
- 1 FDMA
- 2 Gypsum wall construction
- 3 Mineral wool board - min. density 140 kg/m³ (e.g. PROMAPYR-T150, ROCKWOOL HARDROCK / STEPROCK HD)
- 4 Fire-resistant coating - th. 1 mm (e.g. PROMASTOP-I)
- 5 Fire-resistant board - min. th. 15 mm, min. density 870 kg/m³ (e.g. PROMATECT-H)
- 6 Screw 4x50 mm - screws must be fixed in the wall construction, use steel anchors if necessary
- 7 Profile with threaded rod → see pages 41 to 43
- 8 Duct

Installation outside gypsum wall construction

Outside gypsum wall construction min. EI 90 - ISOVER Ultimate Protect - Ablative Coated Batt

EI 60 (v_e i↔o) S

- Standard flexible wall construction min. EI 90 according to EN 1363-1.
- For connection of following duct → see page 44
- Minimum and maximum distance between the wall and fire damper is unlimited
- When installing the insulation, follow the ISOVER manufacturer's instructions
- The damper and the duct must be suspended separately
- The duct must be suspended on both sides of damper acc. to national rules
- Duct between fire damper and fire separating construction must be suspended by using threaded rods and mounting profiles, or another mounting system acc. to national standards
- Load of the suspension system depends on weight of the fire damper and duct system → see page 41
- Max. distance between two suspension systems is 1500 mm
- Duct at the point of penetration must be fixed to the fire separation structure
- Following air-conditioning duct must be suspended or supported so that all load transfer from the following duct to the fire damper is absolutely excluded. Adjacent duct must be suspended or supported, as required by the duct suppliers
- If the threaded rod is located inside the duct insulation, distance between threaded rod and duct is max 30 mm
- If the threaded rod is located outside the duct isolation, distance between threaded rod and isolation is max. 40 mm
- The installation opening is lined with a UW/CW profile.

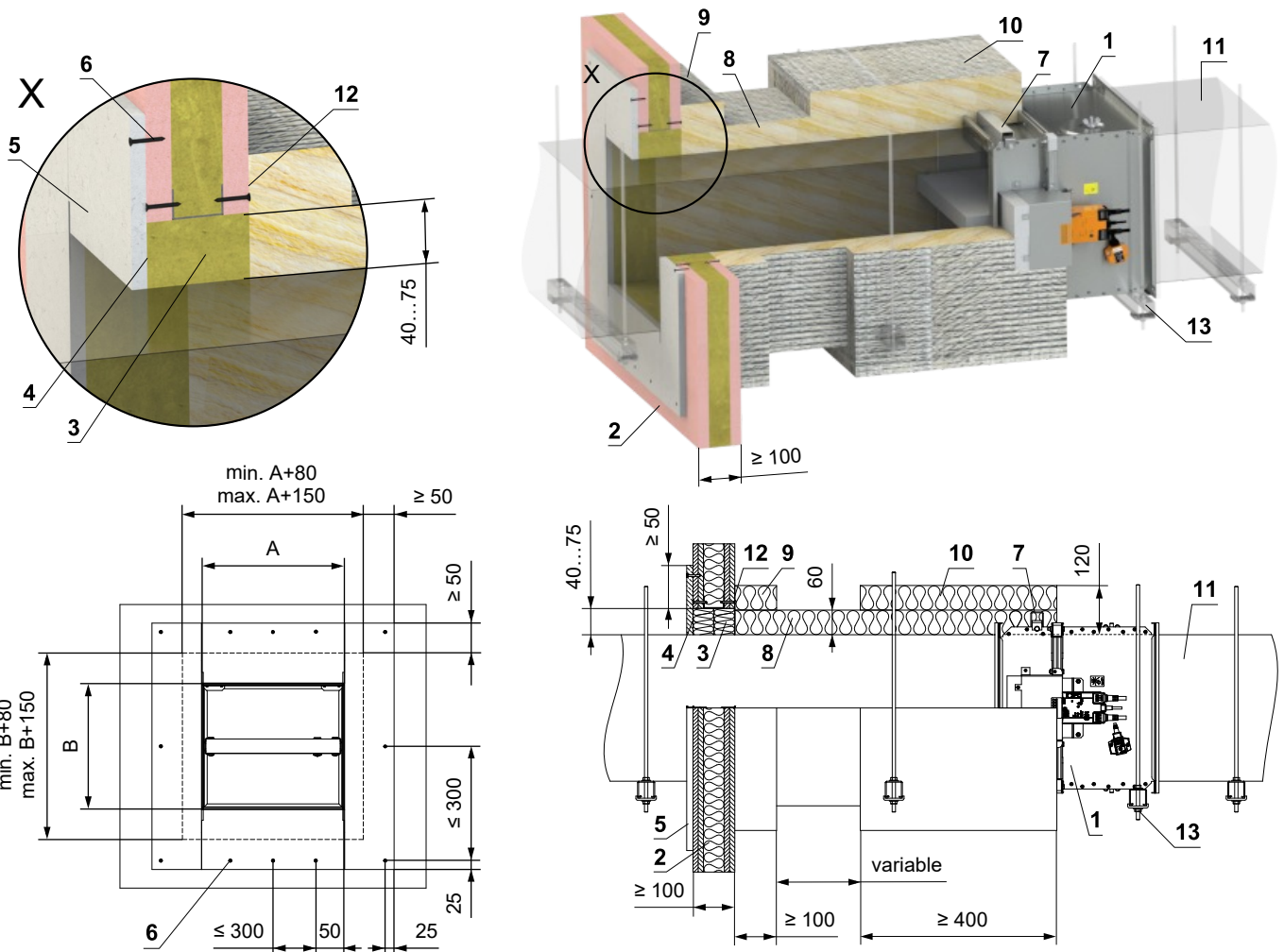


- 1 FDMA
- 2 Gypsum wall construction
- 3 Insulation board made of mineral wool, with a surface treatment of aluminum foil, min. thickness 80 mm, min. density 66 kg/m³ (System ISOVER Ultimate Protect Wired Mat 4.0 Alu1)
- 4 Standard air duct, made of galvanized sheet metal, thickness according to damper size
- 5 ISOVER Protect BSK glue - apply on the insulation and fix it to the fire separation construction
- 6 Profile with threaded rod → see pages 41 to 43
Ablative Coated Batt System HILTI*
- 7 Mineral wool board - min. density 140 kg/m³ (HILTI CFS-CT B 1S 140/50...)
- 8 Fire stop coating - th. 1 mm (HILTI CFS-CT...) - coating is overcoated on the support construction and on the damper casing/duct
- 9 Fire-resistant mastic - (HILTI CFS-S ACR...) fill the gap from both sides of the fire separation construction and around the perimeter of penetration and damper casing

Outside gypsum wall construction min. EI 90 - mineral wool ROCKWOOL - mineral wool with fire-resistant coating and fire-resistant board

EI 90 (v_e i↔o) S

- Standard flexible wall construction min. EI 90 according to EN 1363-1.
- For connection of following duct → see page 44
- Minimum and maximum distance between the wall and fire damper is unlimited
- When installing the insulation, follow the ROCKWOOL manufacturer's instructions
- The damper and the duct must be suspended separately
- The duct must be suspended on both sides of damper acc. to national rules
- Duct between fire damper and fire separating construction must be suspended by using threaded rods and mounting profiles, or another mounting system acc. to national standards
- Load of the suspension system depends on weight of the fire damper and duct system → see page 41
- Max. distance between two suspension systems is 1500 mm
- Duct at the point of penetration must be fixed to the fire separation structure
- Following air-conditioning duct must be suspended or supported so that all load transfer from the following duct to the fire damper is absolutely excluded. Adjacent duct must be suspended or supported, as required by the duct suppliers
- If the threaded rod is located inside the duct insulation, distance between threaded rod and duct is max 30 mm
- If the threaded rod is located outside the duct isolation, distance between threaded rod and isolation is max. 40 mm
- For this installation VRM-Q reinforcement frame must be used → see page 51
- The installation opening is lined with a UW/CW profile.



- 1 FDMA
- 2 Gypsum wall construction
- 3 Mineral wool board - min. density 140 kg/m³ (e.g. PROMAPYR-T150, ROCKWOOL HARDROCK / STEPROCK HD)
- 4 Fire-resistant coating - th. 1 mm (e.g. PROMASTOP-I)
- 5 Fire-resistant board - min. th. 15 mm, min. density 870 kg/m³ (e.g. PROMATECT-H)
- 6 Screw 4x50 mm - screws must be fixed in the wall construction, use steel anchors if necessary
- 7 VRM-Q → see page 51

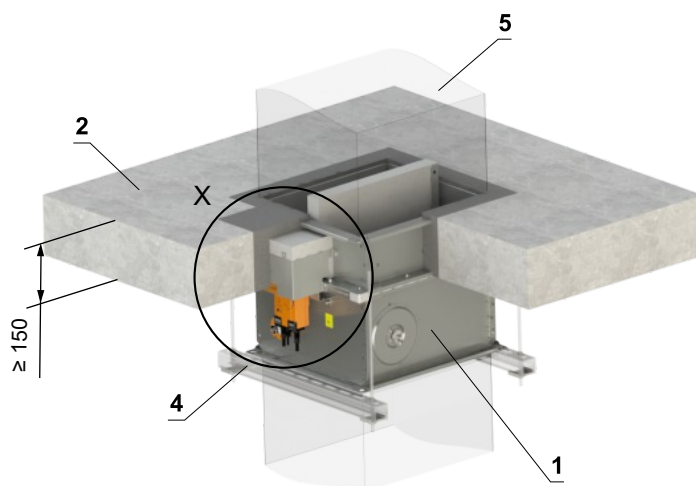
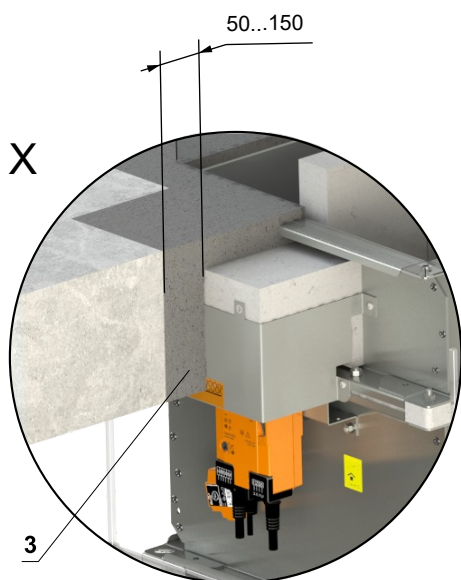
- 8 Insulation board made of mineral wool, with a surface treatment of aluminum foil - th. 60 mm, min. density 300 kg/m³ - (System ROCKWOOL Conlit Ductrock 90)
- 9 Duct penetration insulation collar - th. 60 mm (System ROCKWOOL Conlit Ductrock 90) - glued (pos. 12) and fixed with screws to the wall construction
- 10 Insulation collar of the damper and duct connection - th. 60 mm (System ROCKWOOL Conlit Ductrock 90)
- 11 Standard air duct, made of galvanized sheet metal, thickness according to damper size
- 12 ROCKWOOL Firepro glue - apply on the insulation and fix it to the fire separation construction
- 13 Profile with threaded rod → see pages 41 to 43

In solid ceiling construction

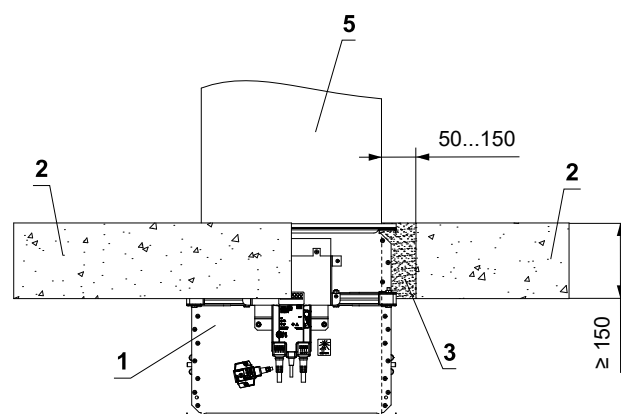
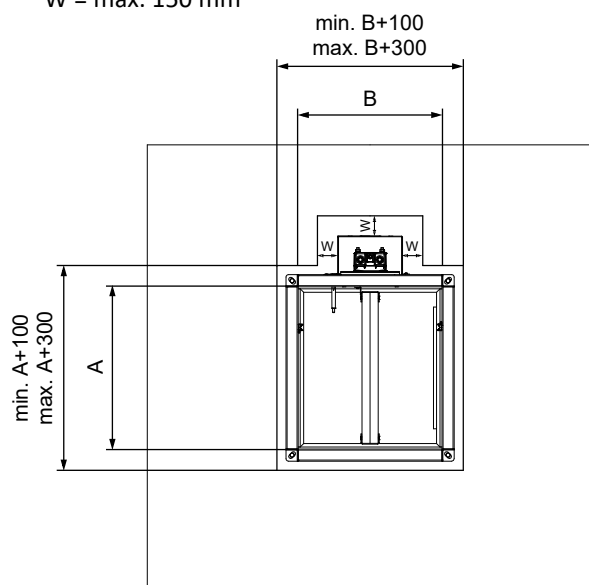
In solid ceiling construction - mortar or gypsum

EI 90 (h_o i↔o) S

- Standard low- and high-density rigid floor construction according to EN 1366-2
- For connection of following duct → see page 44
- The damper can be installed from both sides of the construction, i.e. from the top or the bottom side of the ceiling.



W = min. 50 mm
W = max. 150 mm

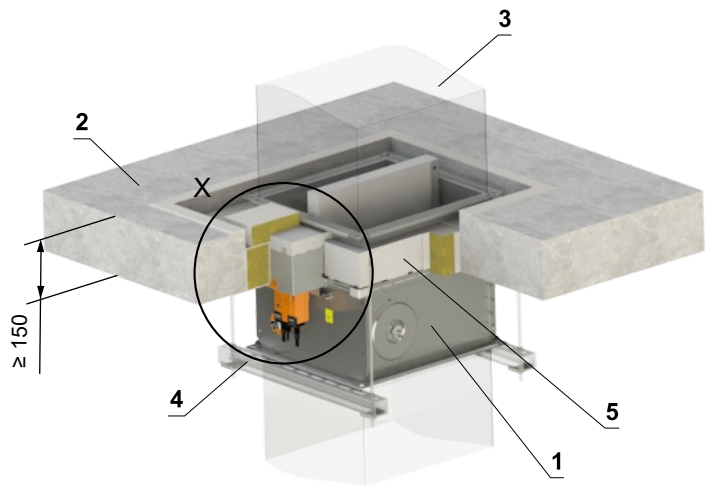
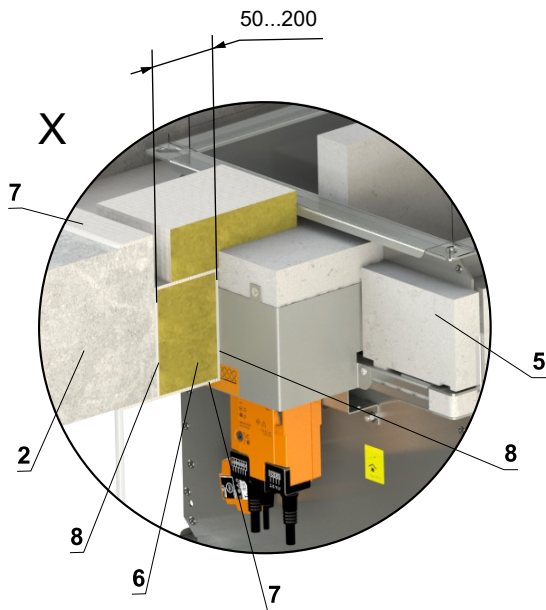


- 1 FDMA
- 2 Solid ceiling construction
- 3 Mortar or gypsum
- 4 Profile with threaded rod → see pages 41 to 43
- 5 Duct

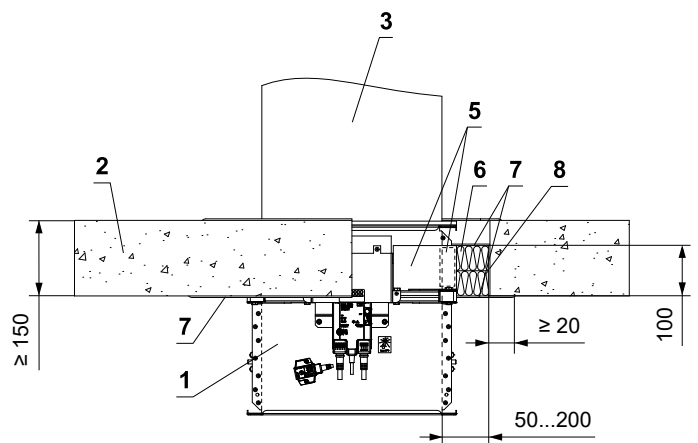
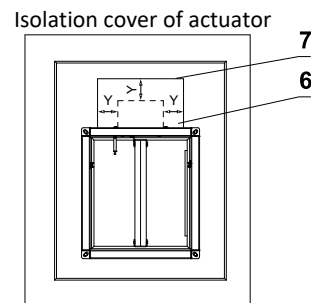
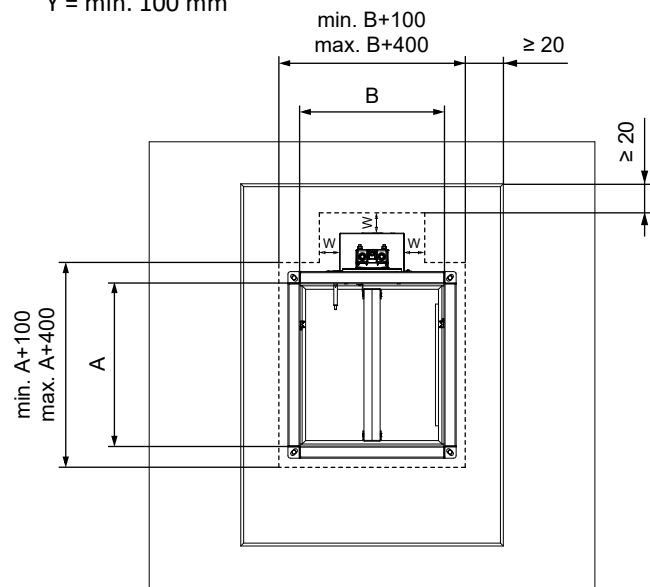
In solid ceiling construction - Ablative Coated Batt

EI 90 (h_o i↔o) S

- Standard low- and high-density rigid floor construction according to EN 1366-2
- For connection of following duct → see page 44
- The damper can be installed from both sides of the construction, i.e. from the top or the bottom side of the ceiling.



W = min. 50 mm
 W = max. 200 mm
 Y = min. 100 mm



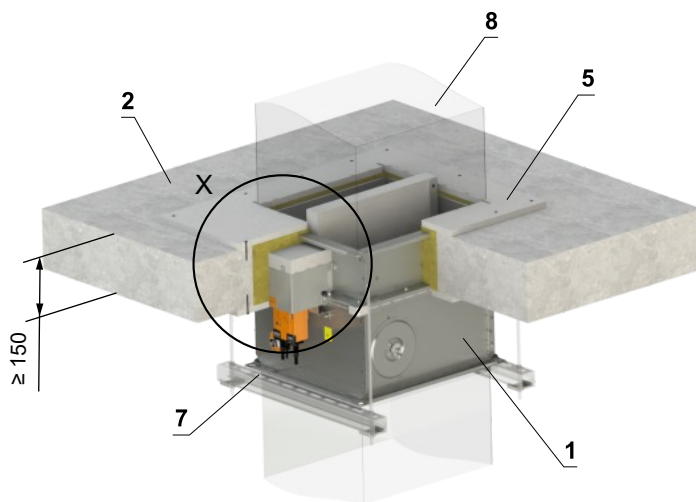
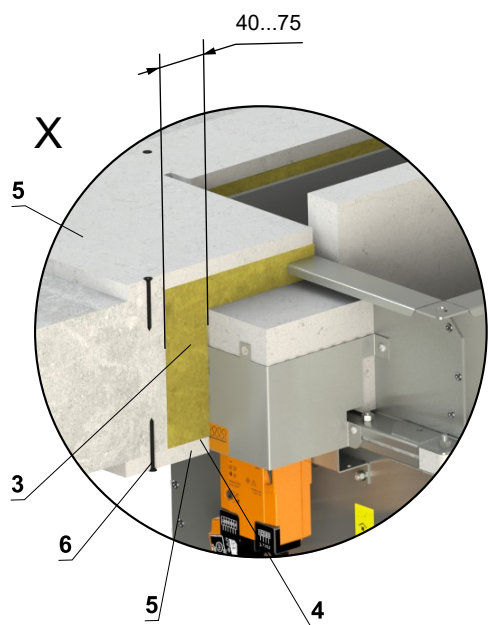
- 1 FDMA
- 2 Solid ceiling construction
- 3 Duct
- 4 Profile with threaded rod → see pages 41 to 43
- 5 Protective cladding board - min. th. 30 mm, min. density 750 kg/m³ (e.g. PROMATECT-MST) → see page 52
 Ablative Coated Batt System HILTI*
- 6 Mineral wool board - min. density 140 kg/m³ (HILTI CFS-CT B 1S 140/50...)
- 7 Fire stop coating - th. 1 mm (HILTI CFS-CT...) - coating is overcoated on the support construction and on the damper casing/duct
- 8 Fire-resistant mastic - (HILTI CFS-S ACR...) fill the gap from both sides of the fire separation construction and around the perimeter of penetration and damper casing

* HILTI system can be replaced by a similar system with the same or higher thickness, density, fire reaction class, tested according to EN 1366-3.

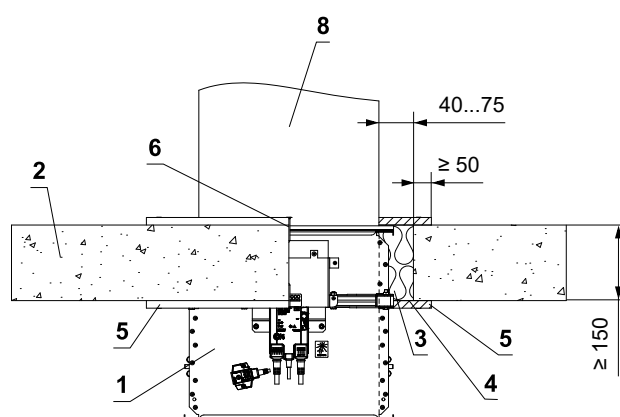
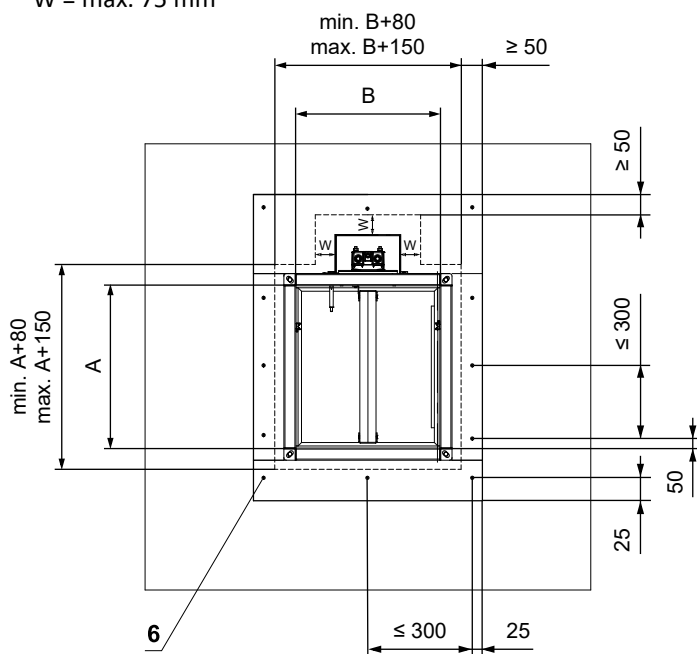
In solid ceiling construction - mineral wool with fire-resistant coating and fire-resistance boards

EI 90 (h_o i↔o) S

- Standard low- and high-density rigid floor construction according to EN 1366-2
- For connection of following duct → see page 44
- The damper can be installed from both sides of the construction, i.e. from the top or the bottom side of the ceiling.



W = min. 40 mm
W = max. 75 mm



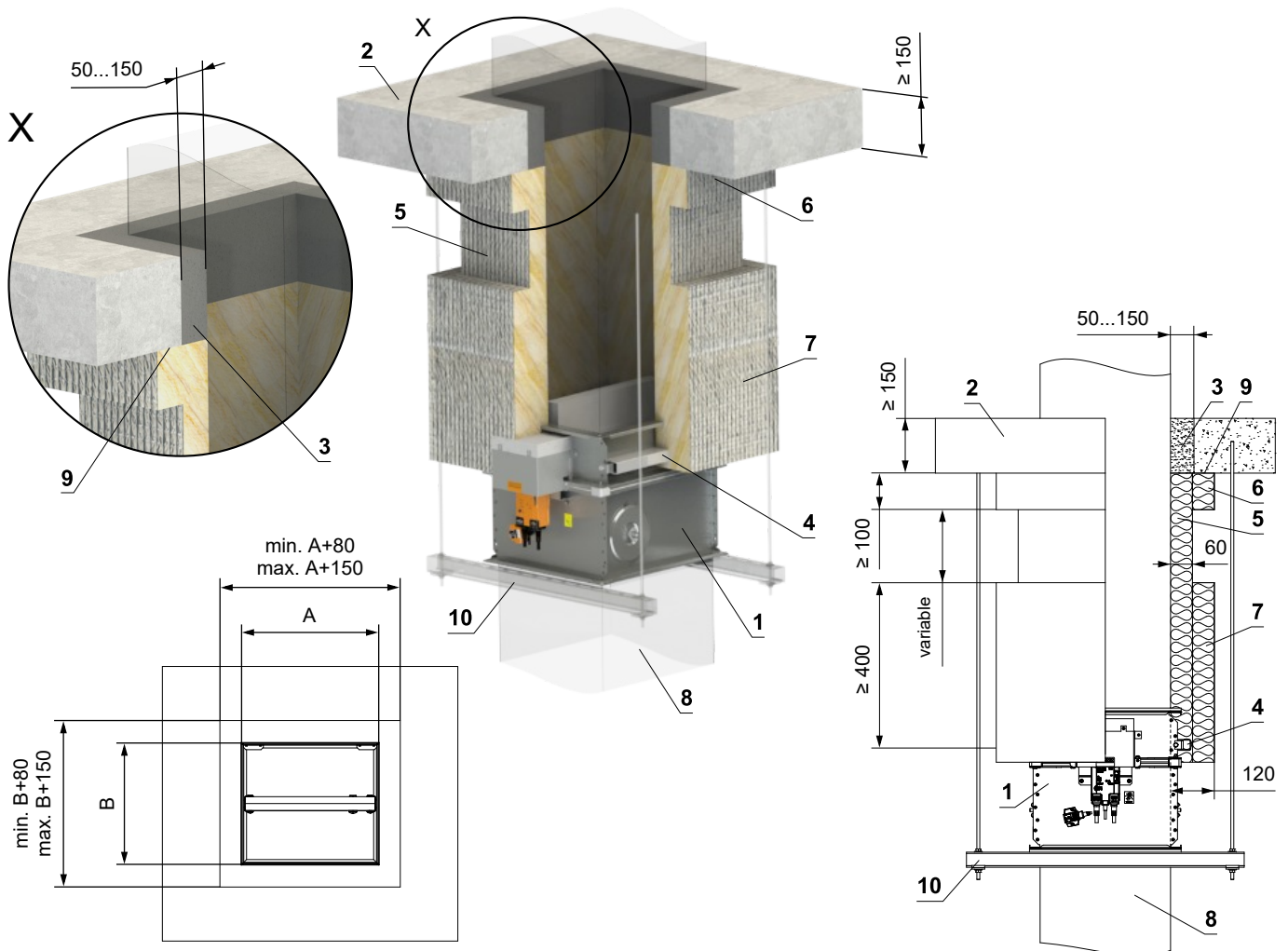
- 1 FDMA
- 2 Solid ceiling construction
- 3 Mineral wool board - min. density 140 kg/m³ (e.g. PROMAPYR-T150, ROCKWOOL HARDROCK / STEPROCK HD)
- 4 Fire-resistant coating - th. 1 mm (e.g. PROMASTOP-I)
- 5 Fire-resistant board - min. th. 15 mm, min. density 870 kg/m³ (e.g. PROMATECT-H)
- 6 Screw 4x50 mm - screws must be fixed in the wall construction, use steel anchors if necessary
- 7 Profile with threaded rod → see pages 41 to 43
- 8 Duct

Outside solid ceiling construction

Outside solid wall construction - mineral wool ROCKWOOL - mortar or gypsum

EI 90 (h_o i↔o) S

- Standard low- and high-density rigid floor construction according to EN 1366-2
- For connection of following duct → see page 44
- Minimum and maximum distance between the ceiling and fire damper is unlimited
- When installing the insulation, follow the ROCKWOOL manufacturer's instructions
- The damper and the duct must be suspended separately
- The duct must be suspended on both sides of damper acc. to national rules
- Duct between fire damper and fire separating construction must be suspended by using threaded rods and mounting profiles, or another mounting system acc. to national standards
- Load of the suspension system depends on weight of the fire damper and duct system → see page 41
- Max. distance between two suspension systems is 1500 mm
- Duct at the point of penetration must be fixed to the fire separation structure
- Following air-conditioning duct must be suspended or supported so that all load transfer from the following duct to the fire damper is absolutely excluded. Adjacent duct must be suspended or supported, as required by the duct suppliers
- If the threaded rod is located inside the duct insulation, distance between threaded rod and duct is max 30 mm
- If the threaded rod is located outside the duct isolation, distance between threaded rod and isolation is max. 40 mm
- For this installation VRM-Q reinforcement frame must be used → see page 51
- The damper can be installed from both sides of the construction, i.e. from the top or the bottom side of the ceiling.



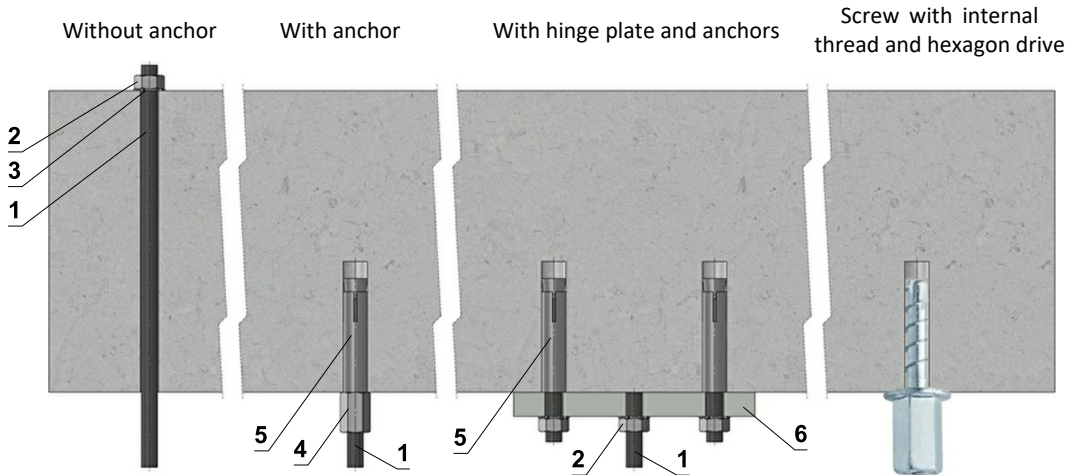
- | | |
|--|--|
| <ul style="list-style-type: none"> 1 FDMA 2 Solid ceiling construction 3 Mortar or gypsum 4 VRM-Q → see page 51 5 Insulation board made of mineral wool, with a surface treatment of aluminum foil - th. 60 mm, min. density 300 kg/m³ - (System ROCKWOOL Conlit Ductrock 90) 6 Duct penetration insulation collar - th. 60 mm (System ROCKWOOL Conlit Ductrock 90) - glued (pos. 9) and fixed with screws to the wall construction | <ul style="list-style-type: none"> 7 Insulation collar of the damper and duct connection - th. 60 mm (System ROCKWOOL Conlit Ductrock 90) 8 Standard air duct, made of galvanized sheet metal, thickness according to damper size 9 ROCKWOOL Firepro glue - apply on the insulation and fix it to the fire separation construction 10 Profile with threaded rod → see pages 41 to 43 |
|--|--|

V. SUSPENSION SYSTEMS

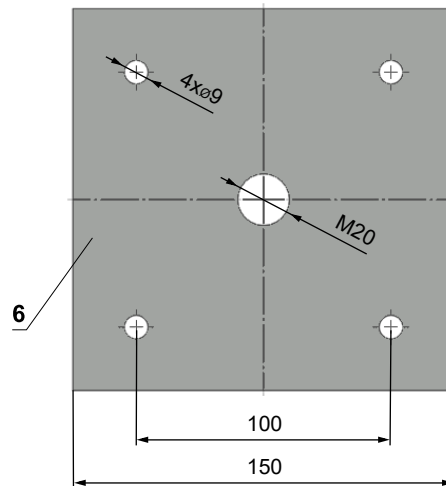
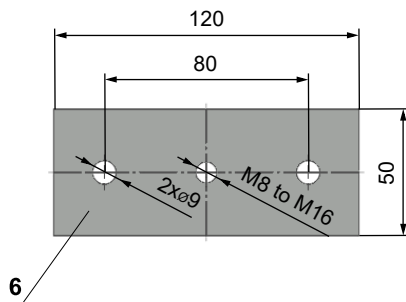
Mounting to the ceiling wall

- The dampers must be suspended using threaded rods and mounting profiles. Their dimensioning depend on the weight of the damper.
- The dampers and the duct must be suspended separately.
- Following air-conditioning duct must be suspended or supported so that all load transfer from the following duct to the damper flanges is absolutely excluded. Adjacent duct must be suspended or supported, as required by the duct suppliers.

Examples of anchoring to the ceiling construction Follow the instructions of fixing specialist or installation company



Hinge plates



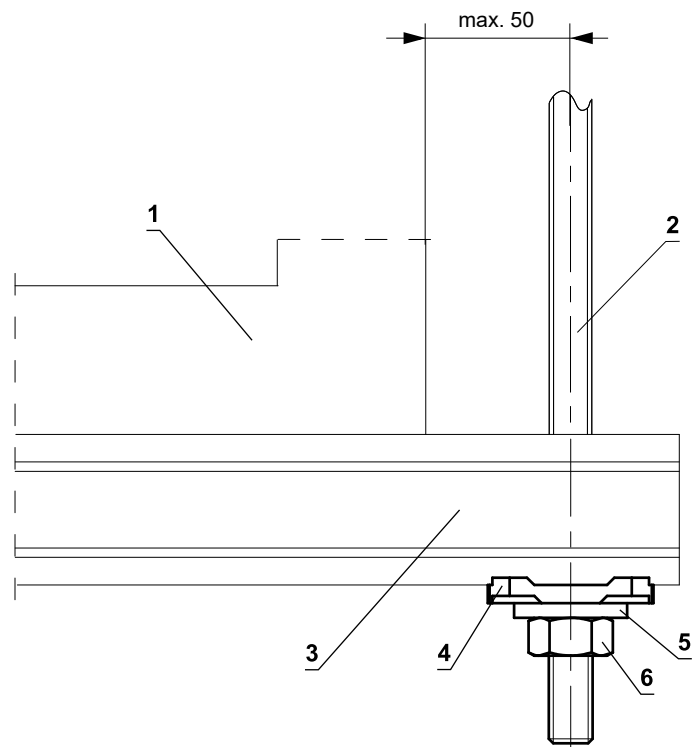
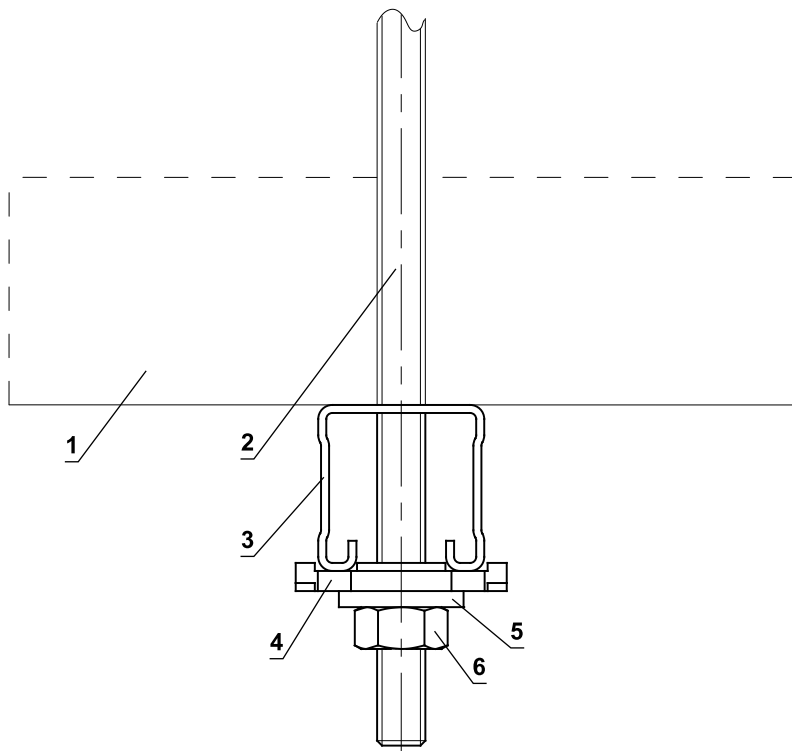
- If in doubt, always consult an anchor specialist engineer such as Halfen or Hilti.

Load capacities of threaded rods at the required fire resistance 60 min. $t \le 120 \text{ min.}$

Size	As [mm ²]	Weight [kg]	
		for 1 rod	for 2 rods
M8	36,6	22	44
M10	58	35	70
M12	84,3	52	104
M16	157	96	192
M18	192	117	234
M20	245	150	300

- 1 Threaded rod M8 - M20
- 2 Nut M8 - M20
- 3 Washer for M8 - M20
- 4 Coupling Nut M8 - M20
- 5 Anchor
- 6 Hinge plate - min. thickness 10 mm
- 7 Concrete screw tested for fire resistance R30-R90, max. Tension up to 0.75 KN (length 35 mm)

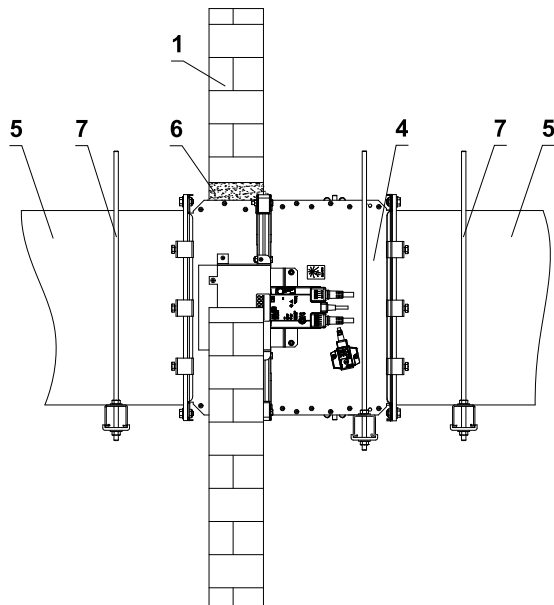
Example of placing of mounting profiles HILTI



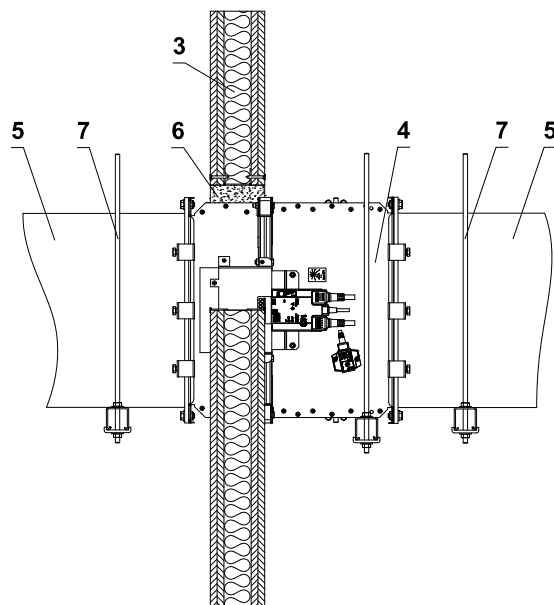
- 1 FDMA
- 2 Threaded rod M8 - M12
- 3 Support HILTI MQ-41 or MQ-41/3
- 4 Bored plate HILTI MQZ-L
- 5 Washer for M8 - M12
- 6 Nut M8 - M12

Example of fixing FDMA to the wall ceiling

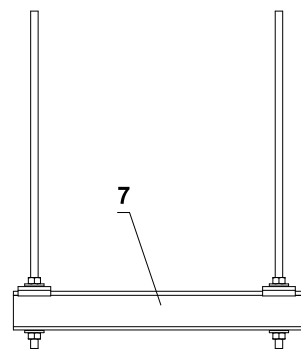
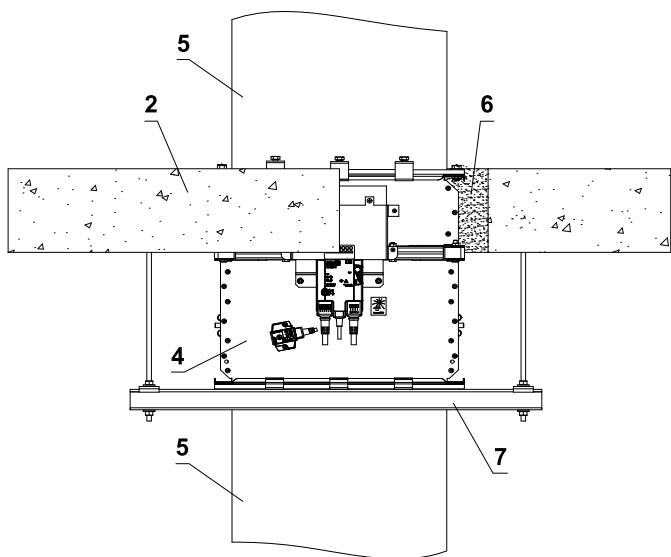
In solid wall construction



In gypsum wall construction



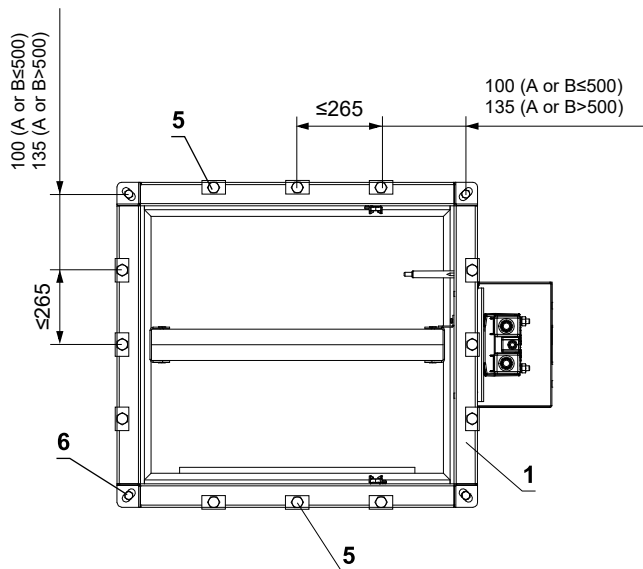
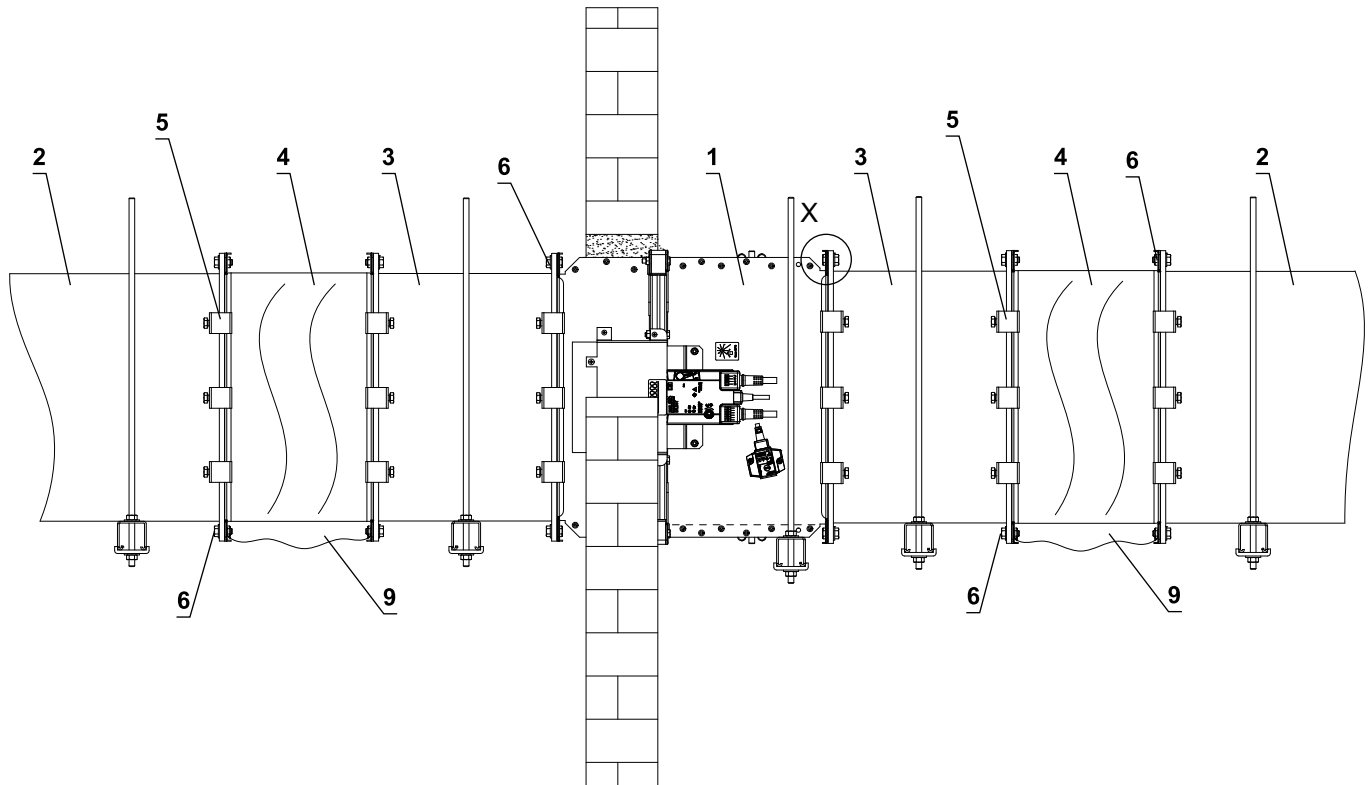
In solid ceiling construction



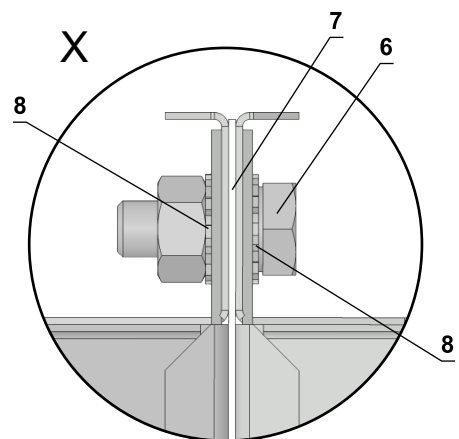
- 1 Solid wall construction
- 2 Solid ceiling construction
- 3 Gypsum wall construction
- 4 FDMA
- 5 Duct
- 6 Penetration
- 7 Profile with threaded rod → see page 42

- The method of attachment must follow the minimum requirements for attachment and connection of ductwork in accordance with national regulations. Also, the elements can be suspended from the top, or supported from bottom, or fastened from the side.

Example of duct connection



Electrically conductive connection



* at least one connection must be electrically conductive

- 1 FDMA
- 2 Duct
- 3 Extension piece (if required)
- 4 Damping pad
- 5 Steel clamp min. screw M8
- 6 Screw assembly M8 (screw M8x20 mm, 2 pcs toothed lock washer M8, nut M8) *
- 7 Sealing
- 8 Toothed lock washer M8
- 9 Protective bonding conductor

VI. TECHNICAL DATA

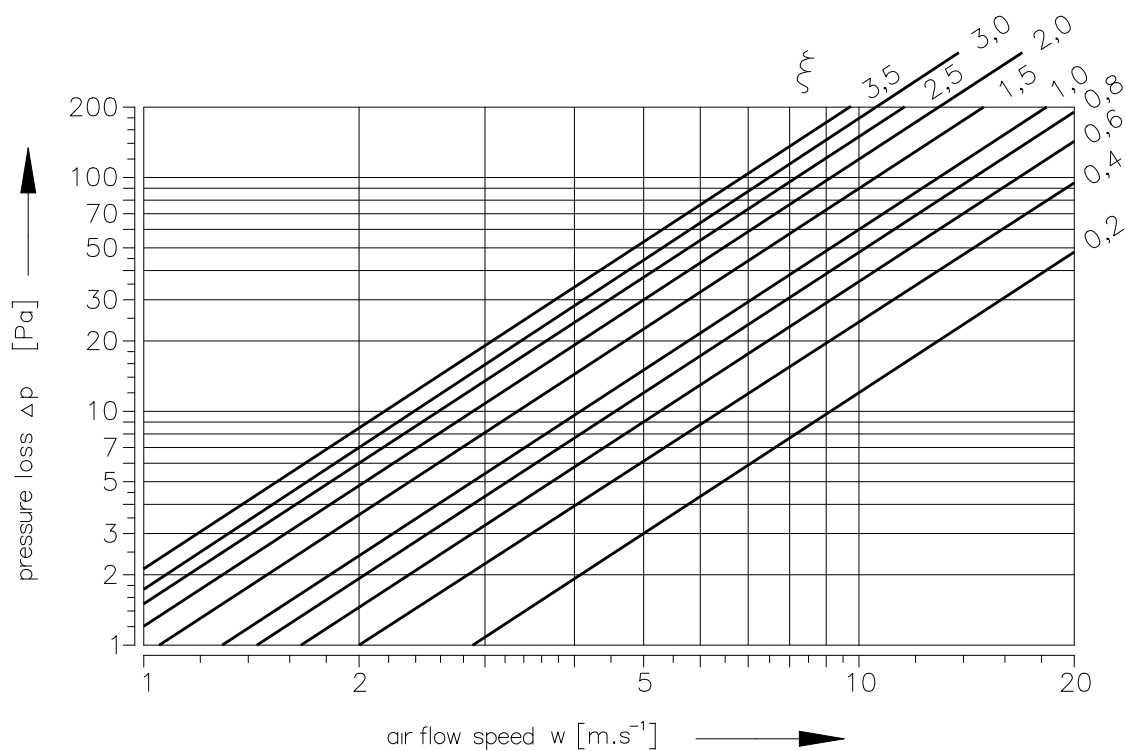
Pressure loss

Pressure loss calculation

$$\Delta p = \xi \cdot \rho \cdot \frac{w^2}{2}$$

Δp	[Pa]	pressure loss
w	[m/s]	air flow speed in nominal damper section
ρ	[kg/m ³]	air density
ξ	[-]	coefficient of local pressure loss for the nominal damper section → see page 46

Determination of pressure loss by using diagram $\rho = 1,2 \text{ kg/m}^3$



Coefficient of local pressure loss

	B										
A	180	200	225	250	280	300	315	355	400	450	500
180	1,849	1,476	1,210	0,983	0,888	0,823	0,703	0,608	0,535	0,478	0,437
200	1,737	1,385	1,095	0,921	0,862	0,782	0,658	0,569	0,500	0,446	0,407
225	1,678	1,333	0,995	0,887	0,832	0,754	0,638	0,545	0,479	0,430	0,393
250	1,613	1,286	0,978	0,859	0,805	0,722	0,613	0,524	0,462	0,414	0,381
280	1,538	1,218	0,954	0,814	0,768	0,682	0,583	0,499	0,438	0,395	0,358
300	1,482	1,178	0,926	0,772	0,722	0,642	0,549	0,475	0,422	0,372	0,342
315	1,415	1,124	0,894	0,743	0,682	0,598	0,528	0,456	0,400	0,356	0,325
355	1,359	1,079	0,852	0,713	0,635	0,573	0,506	0,436	0,383	0,341	0,311
400	1,312	1,041	0,811	0,687	0,618	0,562	0,487	0,420	0,368	0,328	0,299
450	1,271	1,009	0,798	0,665	0,602	0,533	0,471	0,406	0,356	0,317	0,289
500	1,240	0,983	0,773	0,648	0,592	0,526	0,459	0,395	0,346	0,308	0,281
550	1,225	0,971	0,752	0,638	0,586	0,522	0,451	0,389	0,341	0,306	0,278
560	1,211	0,960	0,744	0,632	0,572	0,519	0,447	0,385	0,337	0,300	0,274
600	1,198	0,945	0,738	0,626	0,568	0,507	0,441	0,381	0,334	0,297	0,270
630	1,184	0,938	0,728	0,617	0,565	0,493	0,437	0,376	0,329	0,293	0,267
650	1,173	0,928	0,711	0,610	0,544	0,490	0,431	0,371	0,324	0,289	0,266
700	1,165	0,922	0,705	0,609	0,539	0,489	0,429	0,369	0,323	0,288	0,263
710	1,160	0,919	0,697	0,604	0,535	0,488	0,427	0,368	0,322	0,287	0,261
750	1,150	0,911	0,691	0,600	0,530	0,482	0,422	0,363	0,318	0,284	0,258
800	1,140	0,903	0,686	0,593	0,523	0,475	0,419	0,361	0,316	0,281	0,256
900	1,122	0,888	0,674	0,583	0,517	0,467	0,412	0,355	0,310	0,276	0,252
1000	1,108	0,877	0,666	0,576	0,509	0,453	0,407	0,350	0,306	0,273	0,248
1100	1,095	0,867	0,657	0,569	0,498	0,443	0,402	0,345	0,302	0,269	0,245
1250	1,084	0,857	0,643	0,562	0,486	0,438	0,397	0,342	0,299	0,266	0,242
1400	1,073	0,849	0,632	0,557	0,478	0,436	0,393	0,338	0,296	0,263	0,240
1500	1,067	0,844	0,628	0,554	0,469	0,429	0,391	0,336	0,294	0,262	0,238
1600	1,062	0,840	0,610	0,551	0,450	0,420	0,389	0,334	0,293	0,260	0,237

	B										
A	550	560	600	630	650	700	710	750	800	900	1000
180	0,418	0,400	0,378	0,369	0,352	0,349	0,343	0,331	0,322	0,304	0,291
200	0,389	0,373	0,356	0,344	0,332	0,325	0,320	0,309	0,300	0,284	0,271
225	0,375	0,361	0,342	0,333	0,319	0,313	0,309	0,302	0,292	0,272	0,262
250	0,362	0,345	0,331	0,321	0,308	0,302	0,297	0,291	0,281	0,263	0,253
280	0,342	0,325	0,312	0,302	0,291	0,288	0,283	0,271	0,267	0,249	0,241
300	0,321	0,312	0,296	0,287	0,279	0,273	0,269	0,256	0,251	0,236	0,228
315	0,305	0,297	0,282	0,274	0,267	0,259	0,254	0,246	0,238	0,225	0,215
355	0,296	0,284	0,271	0,262	0,251	0,248	0,243	0,234	0,228	0,215	0,205
400	0,281	0,273	0,265	0,252	0,243	0,237	0,234	0,226	0,219	0,207	0,197
450	0,271	0,264	0,255	0,243	0,237	0,231	0,226	0,219	0,211	0,199	0,190
500	0,269	0,257	0,244	0,236	0,228	0,223	0,219	0,212	0,205	0,194	0,185
550	0,262	0,254	0,239	0,225	0,217	0,211	0,208	0,209	0,202	0,191	0,182
560	0,259	0,250	0,231	0,230	0,221	0,210	0,208	0,206	0,200	0,189	0,180
600	0,256	0,248	0,229	0,228	0,218	0,209	0,207	0,202	0,197	0,186	0,178
630	0,253	0,244	0,228	0,225	0,215	0,209	0,207	0,199	0,195	0,184	0,176
650	0,248	0,242	0,226	0,222	0,213	0,208	0,206	0,197	0,193	0,182	0,174
700	0,244	0,241	0,225	0,221	0,212	0,207	0,205	0,196	0,192	0,181	0,173
710	0,242	0,239	0,224	0,220	0,211	0,205	0,204	0,195	0,191	0,180	0,172
750	0,240	0,236	0,220	0,218	0,209	0,203	0,202	0,194	0,189	0,178	0,170
800	0,239	0,234	0,217	0,215	0,206	0,201	0,200	0,192	0,187	0,176	0,168
900	0,234	0,230	0,215	0,212	0,200	0,198	0,196	0,189	0,184	0,173	0,165
1000	0,231	0,227	0,211	0,209	0,198	0,195	0,193	0,185	0,181	0,171	0,163
1100	0,229	0,224	0,208	0,206	0,196	0,194	0,191	0,182	0,179	0,168	0,161
1250	0,224	0,221	0,205	0,203	0,192	0,191	0,189	0,180	0,176	0,166	0,159
1400	0,221	0,219	0,203	0,201	0,189	0,188	0,187	0,178	0,175	0,165	0,157
1500	0,220	0,218	0,201	0,200	0,187	0,186	0,185	0,176	0,174	0,164	0,156
1600	0,220	0,216	0,200	0,199	0,187	0,186	0,185	0,175	0,173	0,163	0,155

Noise data

Level of acoustic output corrected with filter A

$$L_{WA} = L_{W1} + 10 \log(S) + K_A$$

L_{WA}	[dB(A)]	level of acoustic output corrected with filter A
L_{W1}	[dB]	level of acoustic output L_{W1} related to the 1 m ² section
S	[m ²]	duct cross section
K_A	[dB]	correction to the weight filter A

Level of acoustic output in octave ranges

$$L_{Woct} = L_{W1} + 10 \log(S) + L_{rel}$$

L_{Woct}	[dB]	spectrum of acoustic output in octave range
L_{W1}	[dB]	level of acoustic output L_{W1} related to the 1 m ² section
S	[m ²]	duct cross section
L_{rel}	[dB]	relative level expressing the shape of the spectrum

Tables of acoustic values

Level of acoustic output L_{W1} [dB] related to the 1 m² section

w [m/s]	ξ [-]											
	0,2	0,3	0,4	0,5	0,6	0,7	0,8	0,9	1	1,5	2	2,5
2	15,5	18,7	20,9	22,6	24	25,2	26,3	27,2	28	31,2	33,4	35,1
3	26,1	29,2	31,5	33,2	34,6	35,8	36,9	37,8	38,6	41,7	44	45,7
4	33,6	36,7	39	40,7	42,1	43,3	44,3	45,3	46,1	49,2	51,5	53,2
5	39,4	42,5	44,8	46,5	47,9	49,1	50,2	51,1	51,9	55	57,3	59
6	44,1	47,3	49,5	51,3	52,7	53,9	54,9	55,8	56,6	59,8	62	63,8
7	48,2	51,3	53,5	55,3	56,7	57,9	58,9	59,8	60,7	63,8	66,1	67,8
8	51,6	54,8	57	58,8	60,2	61,4	62,4	63,3	64,1	67,3	69,5	71,3
9	54,7	57,9	60,1	61,8	63,2	64,4	65,5	66,4	67,2	70,4	72,6	74,3
10	57,4	60,6	62,8	64,6	66	67,2	68,2	69,1	70	73,1	75,3	77,1
11	59,9	63,1	65,3	67,1	68,5	69,7	70,7	71,6	72,4	75,6	77,8	79,6
12	62,2	65,4	67,6	69,3	70,7	71,9	73	73,9	74,7	77,9	80,1	81,8

Correction to the weight filter A

w [m/s]	2	3	4	5	6	7	8	9	10	11	12
K_A [dB]	-15	-11,8	-9,8	-8,4	-7,3	-6,4	-5,7	-5	-4,5	-4	-3,6

Relative level expressing the shape of the spectrum L_{rel}

w [m/s]	f [Hz]							
	63	125	250	500	1000	2000	4000	8000
2	-4,5	-6,9	-10,9	-16,7	-24,1	-33,2	-43,9	-56,4
3	-3,9	-5,3	-8,4	-13,1	-19,5	-27,6	-37,4	-48,9
4	-3,9	-4,5	-6,9	-10,9	-16,7	-24,1	-33,2	-43,9
5	-4	-4,1	-5,9	-9,4	-14,6	-21,5	-30,0	-40,3
6	-4,2	-3,9	-5,3	-8,4	-13,1	-19,5	-27,6	-37,4
7	-4,5	-3,9	-4,9	-7,5	-11,9	-17,9	-25,7	-35,1
8	-4,9	-3,9	-4,5	-6,9	-10,9	-16,7	-24,1	-33,2
9	-5,2	-3,9	-4,3	-6,4	-10,1	-15,6	-22,7	-31,5
10	-5,5	-4	-4,1	-5,9	-9,4	-14,6	-21,5	-30
11	-5,9	-4,1	-4	-5,6	-8,9	-13,8	-20,4	-28,8
12	-6,2	-4,3	-3,9	-5,3	-8,4	-13,1	-19,5	-27,6

VII. MATERIAL, FINISHING

- Damper casings are made from galvanized sheet metal without further surface treatment.
- Damper blades are made from fire resistant asbestos free boards made of mineral fibres.
- Thermal fuses are made of sheet brass, thickness 0,5 mm.
- Fasteners are galvanized.
- According to the customer's requirements, dampers can be made of stainless steel material.

Specifications for stainless-steel design:

- Class A2 – Food-grade stainless steel (AISI 304 – EN 1.4301)
- Class A4 – Chemistry-grade stainless steel (AISI 316, 316L – EN 1.4401, EN 1.4404)

The respective stainless steel is the material for all components that are located or entering the damper inner space; components outside the damper casing are typically from galvanised sheet metal (fasteners for mounting the actuator or manual control), frame components.

The following components, including the fasteners, are made from stainless steel at all times:

- 1) Damper casing and all components permanently attached
- 2) Blade holders including pins, metal parts of blades
- 3) Parts of a manual control entering the inner space of a damper casing
- 4) Inspection opening cover including the stirrup and fasteners (if they are parts of the cover)

The damper blade is made of asbestos-free, fire-resistant mineral fibre boards joined with U-shaped drive staples, sealed on the outer side with K84 adhesive.

Thermal fuse is identical for all material variants of the dampers. Upon specification by customer, the thermal fuse can be made from A4 from stainless steel sheet metal.

Thermoelectric activation device BAT is modified for stainless-steel variant of the dampers; standard galvanised screws are replaced with stainless-steel M4 screws of corresponding class. Damper casing has stainless-steel riveting M4 nuts.

Plastic, rubber and silicon components, sealants, foaming tapes, glass-ceramic seals, housings, brass bearings of the blade, actuators, and end switches are identical for all material variants of the dampers.

Some fasteners and components are only available in one class of stainless steel; the type will be used in all stainless-steel variants.

The damper blade in the variant for chemical environments (Class A4) is always treated with a coating of chemically resistant Promat SR.

Any other requirements for the design will be considered atypical and will be addressed on an individual basis.

VIII. TRANSPORTATION, STORAGE AND WARRANTY

Logistic terms

- Dampers are delivered on pallets. As standard, the dampers are wrapped in plastic foil for protection during transport and must not be used for long-term storage. Temperature changes during transport can cause condensation of water inside the packaging and thereby cause corrosion of materials used in the dampers (e.g. white corrosion on zinc-coated items or mould on calcium silicate). Therefore, it is necessary to remove the transport packaging immediately after unloading to allow air to circulate around the product.
- The dampers must be stored in clean, dry, well ventilated and dust-free environment out of direct sunlight. Ensure protection against moisture and extreme temperatures (minimum temperature +5°C). The dampers must be protected against mechanical and accidental damage prior to installation.
- Another required packaging system should be approved and agreed by manufacturer. Packaging material is not returnable in case that another packaging system (material) is required and used and it is not included into final price of damper.
- Dampers are transported by box freight vehicles without direct weather impact, there must not occur any shocks and ambient temperature must not exceed +50°C. Dampers must be protected against impact when transported and manipulated. During transportation, the damper blade must be in the "CLOSED" position.
- Dampers must be stored indoor in environment without any aggressive vapours, gases or dust. Indoor temperature must be in the range from -30°C to +50°C and maximum relative humidity 95%.

Warranty

- The manufacturer provides a warranty of 24 months from the date of dispatch for the dampers.
- The warranty for fire dampers FDMA, provided by the manufacturer, is completely void if actuating, closing and control devices are unprofessionally handled by untrained workers or if electric components, i.e. limit switches, actuators, communication and supply devices and thermoelectric activation devices are dismantled.
- The warranty is void if dampers are used for other purposes, devices and working conditions than those allowed by these technical conditions or if the dampers are mechanically damaged during handling.
- If the dampers are damaged by transport, a record must be written down with the forwarder at reception for later complaint.

IX. ASSEMBLY, ATTENDANCE AND MAINTENANCE

- Assembly, maintenance and damper function check can be done only by qualified and trained person, i.e. "AUTHORIZED PERSON" according to the manufacturer documentation. All works done on the fire dampers must be done according international and local norms and laws.
- All effective safety standards and directives must be observed during damper assembly.
- To ensure reliable damper function it is necessary to avoid blocking the actuating mechanism and contact surfaces with collected dust, fibre and sticky materials and solvents.
- Flange and screw joints must be conductively connected to protect against dangerous contact. 2 galvanized lock washers that are placed under the head of one screw and a fastened nut are used for conductive connection.

Manual operation - actuator control without electric voltage

- A special wrench (part of the actuator) can be used to manually turn the damper blade to any position. When the wrench is turned in the direction of the arrow, the damper blade rotates to its open position. As the blade rotation is stopped, in every position, the actuator will be locked. Unlocking is possible even manually as per instructions on the actuator, or by the activation of the supply voltage.
- If the actuator is manually locked, the damper blade will not close in the event of a fire after the activation of the thermoelectric activation device BAT. To restore correct damper operation, the actuator must be unlocked (manually or by applying power supply).

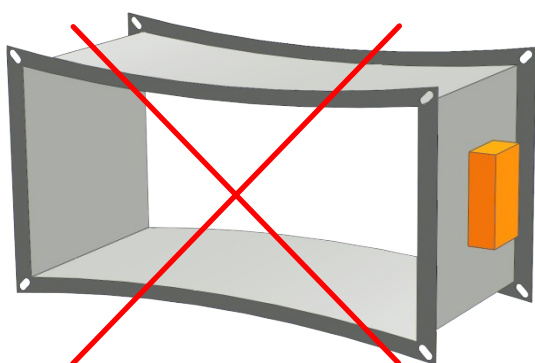
Limit switches

- If the damper is equipped with limit switches and these switches are not used during operation (e.g. because of a project change), they can be left on the damper and not connected (they need not be dismantled).
- On the other hand, if the limit switch is to be added to the damper design, the change can be implemented by change kit.
- These facts must be recorded in the respective operation documentation of the damper (record books of the damper, fire logs, etc.) and subsequently, adequate function checks must be carried out.

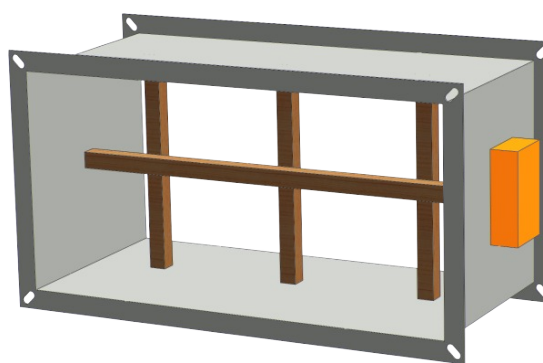
Installation / fixing the damper

- The damper casing shall not be deformed in the course of bricking in.
- Once the damper is built in, the damper blade shall not grind on the damper casing during opening or closing.

Protection of the damper casing against buckling during installation, especially for large sizes!



WRONG!

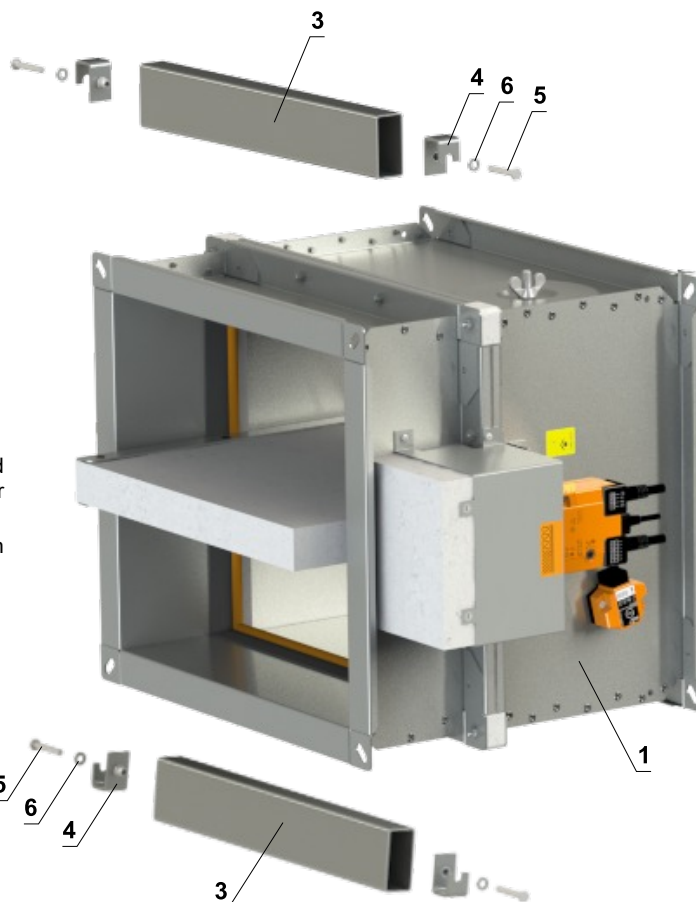
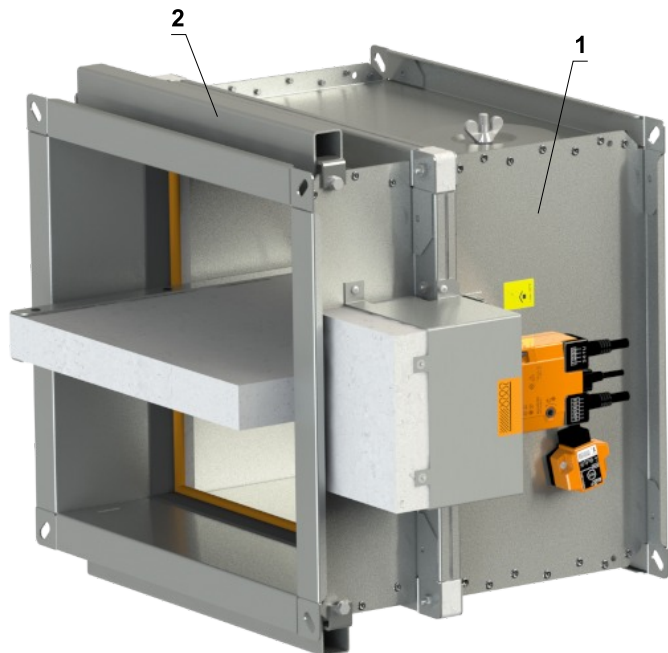


Reinforcement of the casing with wooden beams

Reinforcement frame VRM-Q

- If the damper is installed outside the fire separation construction, a damper side A \geq 800 mm and fire resistance is EI 90 S, VRM-Q reinforcement frame must be used.
- For lower fire resistance than EI 90 S, VRM-Q reinforcement frame is not necessary!
- VRM-Q is mounted only on "A" sides

Fixing of reinforcing frame VRM-Q to the damper casing



Installation procedure

- 1) Place part A on the damper casing
- 2) Insert part B to the part A
- 3) Adjust a nut of part B against a hole on the damper casing and fasten it with M6x40 mm hexagon head screw DIN 931 with washer M6/6,4 DIN 7349
- 4) Repeat the procedure on the other side of the VRM-Q and an opposite side "A" of the fire damper

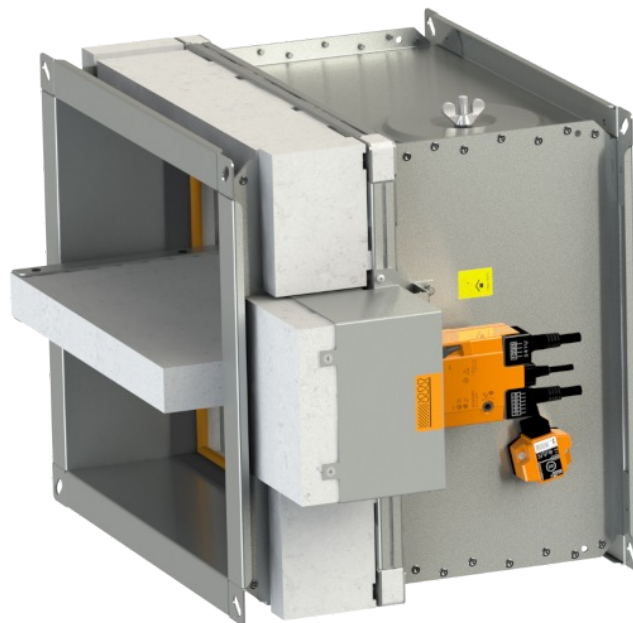
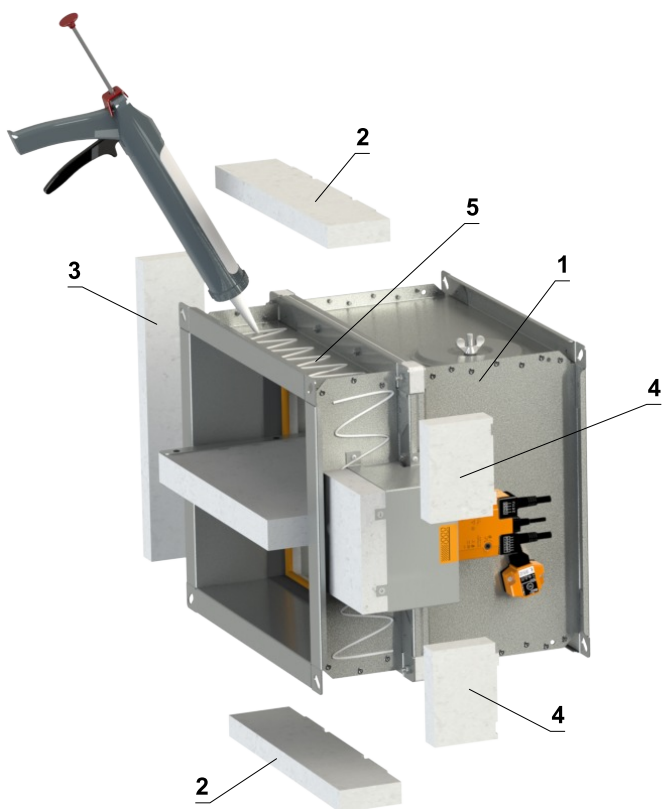
- 1 FDMA
- 2 VRM-Q
- 3 Part A of VRM-Q
- 4 Part B of VRM-Q
- 5 Hexagon head screw M6x40 mm DIN 931
- 6 Washer M6/6,4 DIN 7349

Protective cladding boards

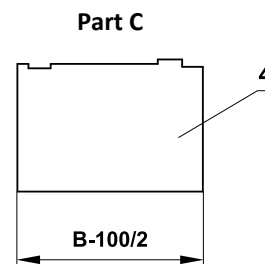
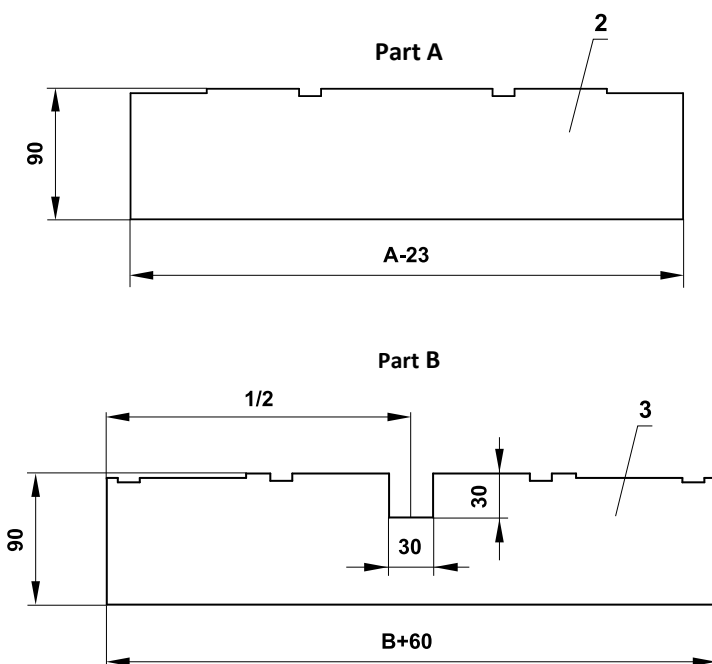
- Protective cladding boards must be used as part of the penetration filling of installation with Ablative Coated Batt.
- Can be ordered from MANDIK (installed on the damper or as an accessory) or can be sourced from local supplier
- If protective cladding boards are required, this must be specified in the ordering key
- Boards are made of PROMATECT-MST, thickness 30 mm.
- Glue K84 is not included in the package

Assembly procedure

- 1) Apply K84 glue over the entire surface
- 2) Attach protective cladding boards to the damper and glue them to the casing
- 3) Created gaps fill with K-84 PROMAT glue



- 1 FDMA
- 2 Part A
- 3 Part B
- 4 Part C
- 5 Glue K-84 PROMAT



Commissioning and revisions

- Before putting the damper into operation, serviceability checks and functional tests must be carried out including testing of functionality of all electrical elements. After putting into operation these serviceability checks must be carried at least twice a year. If no defect is found during two subsequent serviceability checks, these checks can be carried out once a year.
- In case that dampers are found unable to serve for their function for any cause, it must be clearly marked. The operator is obliged to ensure that the damper is put into condition in which it is ready for function and meanwhile he is obliged to provide the fire protection by another appropriate way.
- Results of regular checks, imperfections found and all-important facts connected with the damper function must be recorded in the "FIRE BOOK" and immediately reported to the operator.
- Before entering the dampers with actuator into operation after their assembly and by sequential checks. Check of blade rotation into the breakdown position "CLOSED" can be done after disconnecting the actuator supply (e.g. by pressing the test button at the thermoelectric activation device BAT or disconnecting the supply from ELECTRICAL FIRE SIGNALISATION). Check of blade rotation back into the "OPEN" position can be done after restoration of power supply (e.g. by releasing the test button or restoration of supply from ELECTRICAL FIRE SIGNALISATION). Without power supply, the damper can be operated manually and fixed in any required position. Release of the locking mechanism can be achieved manually or automatically by applying the supply voltage. It is recommended to provide periodical checks, maintenance and service actions on fire equipment by authorized persons. The authorized persons can be trained by producer, or by authorized distributor. All effective safety standards and directives must be observed during fire damper assembly.
- Visual inspection of proper damper installation, inner area of a damper, damper blade, contact surfaces and silicon seal.

Following checks must be carried out for dampers with manual control

Check of a manual control and thermal fuse

- **To check the function of the manual control proceed as follows:**
- Turn the damper blade to "CLOSED" position as follows:
 - The damper blade is in "OPEN" position.
 - By pressing the activation lever ("OPEN" position), release the control lever to turn the damper blade to the "CLOSED" position.
 - Check the damper blade rotation to "CLOSED" position.
 - The closing of the damper blade must be smooth and fast and the control lever shall be in „CLOSED“ position.(If the damper is not closing strongly enough and the control lever is not reliably locked by the latch in the "CLOSED" position, it is necessary to set a higher preload of the closing spring using the toothed rosette)
- Turn the damper blade to "OPEN" position as follows:
 - Release the latch in the "CLOSED" position by pressing and return the control lever to the second end position, where the lever is held by the trigger lever in the "OPEN" position.
 - Check the damper blade rotation to "OPEN" position.
 - In the case of a damper with an electromagnet, a test of moving the control lever to the "CLOSED" position is performed after connecting the electrical voltage.
- **Check of function and condition of the thermal fuse:**
 - By removing the thermal fuse from the pin of the triggering device, its correct function is checked.
 - The pin must be extended and the triggering lever must be flipped (position "OPEN").
 - If this does not happen, it is necessary to check the pin and spring of the triggering device, or replace the base plate. The base plate is attached to the damper body with three M5 screws with nuts.

Following checks must be carried out for dampers with actuator

- Check the rotation of the blade to "CLOSED" failure position after disconnection the power supply of the actuator (e.g. by pressing the test button on the thermoelectric activation device BAT or by disconnection the power supply from electrical fire signalization). Check the rotation of the blade back to "OPEN" position by restoring the power supply to the actuator (e.g. by releasing the test button or by restoring the power supply from electrical fire signalization).

Following checks must be carried out for dampers with optical smoke detector

- The function checks of the optical smoke detector are to be carried out by employees of an authorized organization who have corresponding electrotechnical qualification and have been properly trained by the manufacturer. The function checks are to be carried out as a part of function checks of the fire dampers, at least 1x a year.
- For the function checks, the damper blade should be in "CLOSED" position with the fan off or with closed air regulation situated between the fan and the fire damper.
- Inspection opening disassembly
 - Release the covering lid by turning the wing nut and while turning the lid right or left release it from the security belt. Then tilt the lid and remove it from its original position.



Inspection opening detail

- Ensure each damper is fully checked for operational capability, control should be initiated from the control system or by manual control. Damper blades should open and close correctly and operation should be visually inspected and documented prior to handover.

How to proceed after Tf1 or Tf2 fuses have been activated

- If the thermal fuse **Tf1** is interrupted (due to temperature outside the duct), it is necessary to replace the spring return actuator. → see page 13
- If the thermal fuse **Tf2** is interrupted (due to temperature inside the duct), only the spare part ZBAT 72 (95/120/140) needs to be replaced (acc.to the activation temperature). → see page 13

X. ORDERING INFORMATIONS

Ordering key



EXAMPLES:

FDMA EN 800x700/375 .40 Q30-ZN

Fire damper FDMA, dimension 800x700 mm, built length 375 mm, control design with spring return actuator AC 230 V, standard activation temperature 72 °C, flange dimension 30 mm, galvanized material variant, without installation kit/frame, standard silicon seal.

FDMA EN 800x700/375 .40 120 A Q30-ZN IW G

Fire damper FDMA, dimension 800x700 mm, built length 375 mm, control design with spring return actuator AC 230 V, activation temperature 120 °C, with protective cladding boards, flange dimension 30 mm, galvanized material variant, impregnation against humidity, Silicone-free rubber.

1| Fire damper type - FDMA

2| Country of destination

3| Damper dimensions A x B → see pages 18 to 23

"A" is the width of the damper

"B" is the height of the damper

4| Built length - 375 mm

5| Damper design

.01	Manual control and thermal
.02	Manual control and thermal (Zone 1,2)
.11	Manual control and thermal with a terminal switch („CLOSED“)
.12	Manual control and thermal with a terminal switch („CLOSED“) (Zone 1,2)
.20	Manual, thermal and with an electromagnet AC 230 V
.21	Manual, thermal and with an electromagnet AC/DC 24 V
.23	Manual, thermal and with an electromagnet AC 230 V, with a terminal switch („CLOSED“)
.24	Manual, thermal and with an electromagnet AC/DC 24 V, with a terminal switch („CLOSED“)
.30	Manual, thermal and with an electromagnet AC 230 V (ZONE 2)
.33	Manual, thermal and with an electromagnet AC 230 V, with a terminal switch („CLOSED“) (ZONE 2)
.40	With actuating mechanism BF 230-TN (BFL, BFN 230-T)
.41	With actuating mechanism BF 24-TN (BFL, BFN 24-T) , with smoke detector ORS 142 K and with supply device BKN 230-24-MOD (voltage AC 230 V
.42 *	With actuating mechanism ExMax-15-BF (AC 230 V, AC/DC 24 V) with thermoelectrical starting mechanism (ZONE 1,2)
.50	With actuating mechanism BF 24-TN (BFL, BFN 24-T)
.51	With actuator BF 24-TN (BFL, BFN 24-T), with smoke detector ORS 142 K (voltage AC/DC 24 V)
.63	With communication and supply device BKN 230-24-MOD, with actuating mechanism BF 24-TN-ST (BFL, BFN 24-T-ST) and with smoke detector ORS 142 K
.80	Manual control and thermal with two terminal switches („OPEN“, „CLOSED“)
.81	Manual and thermal with two terminal switches („OPEN“, „CLOSED“) (ZONE 1,2)
.82	Manual, thermal and with an electromagnet AC 230 V, with two terminal switches („OPEN“, „CLOSED“)
.83	Manual, thermal and with an electromagnet AC/DC 24 V., with two terminal switches („OPEN“, „CLOSED“)
.85	Manual, thermal and with an electromagnet AC 230 V, with two terminal switches („OPEN“, „CLOSED“) (ZONE 2)

* These designs are supplied only with an activation temperature of 72 °C.

6| Activation temperature

Manual control		Spring return actuator control	
	72 °C *		72 °C *
104	104 °C	95	95 °C
147	147 °C	120	120 °C
		140	140 °C

* Standard activation temperature

7| Installation kit/frame

	Without installation kit/frame
A	With protective cladding boards (for Ablative Coated Batt installation)
VRM-Q	Reinforcing frame VRM-Q

8| Flange dimension

Q30	Flange width 30 mm
Q20	Flange width 20 mm

9| Material and other design options

ZN	Galvanized
A2	Stainless steel 1.4301 (AISI 304)
A4	Stainless steel 1.4404 (AISI 316L) - included damper blade impregnation against chemical - type PROMAT SR

10| Surface treatment

	Without surface treatment
IW	Damper blade impregnation, impregnating agent PROMAT 2000 - impregnation against humidity
IA	Damper blade impregnation, impregnating agent PROMAT SR - impregnation against chemical

11| Cold seal variant

	Silicone rubber *
G	Silicone-free rubber

* Standard cold seal

Accessories

Protective cladding boards



1| Accessory type - cladding boards

2| Fire damper type - FDMA

3| Damper dimensions A x B → see pages 18 to 23

Reinforcing frame VRM-Q




1| Accessory type - reinforcing frame VRM-Q

2| Fire damper type - FDMA

3| Damper dimensions A x B → see pages 18 to 23

Data label

- Data label is placed on the damper casing (example)

MANDÍK [®]		MANDÍK, a.s. Dobříšská 550, 267 24 Hostomice, Czech Republic	
FIRE DAMPER - XXXX		 MANUAL	
DIMENSION:			
SERIAL.NO.:		WEIGHT (kg):	
CLASSIFICATION:			
TPM XXX/XX	Cert. No.: 1391-CPR-XXXX/XXXX, DoP: PM/XXXX/XX/XX/X	XX	EN 15650:2010

The producer reserves the right for innovations of the product.
For actual product information see www.mandik.com

MANDÍK[®]

www.mandik.com

