

Inthouse TP10 Pro

Datasheet



TP firmware version

v1+

Document date

2025-07-30

Introduction

Inthouse TP10 Pro is powerful and modern 10" industrial touch panel certified for Inthouse.

It has a 10" IPS display, IP65 front side rating and metal case for embedded installation. It comes with a mounting kit for electrical cabinet and it also has a VESA 100x100 mount.

The touch panel can be connected to the PLC and Internet in different ways, such as using wired Ethernet, as a wireless Wi-Fi client to an existing network, using FT1.2 over RS-485 serial cable or using a mobile LTE network (*optional*).

It comes with the Inthouse App already installed. You only need to enter the Configuration ID to connect to your PLC and visualize your Inthouse configuration. This can be done by the end user from the App.

For our OEM customers with a branded application, the touch panel will be delivered with full customer's branding. This includes the branded start-up logo, the partner's branded application and system user interface customizations (such as light or dark system theme, available keyboard languages, etc.).

For our OEM customers, the Touch panel can also be delivered with a custom OEM application instead of the Inthouse App. The Touch panel can also be used to display a web page without any application required.

We also recommend the [Inthouse Hub](#) or [Inthouse Hub Pro](#) for remote access over cloud to the PLC (lifetime access included in price of the Hub). The touch panel can be connected to the Hub using wired Ethernet, wirelessly over Wi-Fi or even remotely using a mobile LTE network (*optional*).

Hardware description

POWER AND SPECS		
Power input	DC 12-36V	2-wire terminal block
	Power over Ethernet <i>(optional)</i>	IEEE 802.3af/at PoE (active)
Power consumption	< 10 W	
Operating temp.	-10 ~ 50 °C	
Audio	Speaker	

SYSTEM	
CPU	ARM Cortex-A55, 4-core @ 2.0 GHz
GPU	ARM Mali-G52
NPU	Up to 1 TOPS
RAM	2 GB / 4 GB <i>(optional)</i>
Storage	16 GB / 32 GB <i>(optional)</i>
OS	Android

DISPLAY	
Panel type	IPS LCD (350 nits)
Size	10" 16:10 landscape (or optionally portrait 10:16)
Resolution	1280 x 800 landscape (or optionally portrait 800 x 1280)
Viewing angles	178° / 178°
Touch	Capacitive, 10-point
IP rating	IP65 (front side)

I/O	
2x RJ-45 Ethernet	Gigabit, connect to network with PLC and Internet (if available)
2x RS-485	serial cable, supports FT1.2 over RS-485 as alternative connection to the PLC if Ethernet is not available
SIM slot	<i>(optional - LTE)</i> mini SIM card / 2FF
MicroSD slot	back side, for offline App and Configuration updates
USB-A, 2x	back side, blue for Inthouse Studio, black for App and Configuration updates from flash drive
W-Fi	2.4G 802.11b/g/n

Package and accessories

PACKAGE CONTENTS		
Inthouse TP10 Pro	1x	258 x 177 x 30 mm (251 x 170 x 27.5 mm in-wall, 2.5 mm above wall without seal)
Wi-Fi external antenna	1x	
4G / LTE external antenna	1x	<i>(optional)</i>
Mounting kit	1x	for electrical cabinet, metal sheet, etc.

Optional PoE

This option offers support for IEEE802.3af/at active power over Ethernet.

Optional LTE

This option offers global connectivity using 4G / LTE and also older mobile networks.

MOBILE CONNECTION			
4G	LTE cat 4	150M / 50M	LTE-FDD: B1/B2/B3/B4/B5/B7/B8/ B12/B13/B18/ B19/B20/B25/B26/B28 LTE-TDD: B38/B39/B40/B41
3G	HSPA+	42M / 5.76M	WCDMA: B1/B2/B4/B5/B6/B8/B19
2G *	EDGE	296K / 236.8K	GSM: B2/B3/B5/B8

* 2G connection is not recommended.

Connection setup

INTERNET CONNECTION		
Ethernet	RJ-45 10/100/1000M	connect Ethernet cable
Wi-Fi Client	2.4G 802.11b/g/n WPA/WPA2/WPA3 * AES-CCMP	connect to another Wi-Fi network as client, use Inthouse App to set up
Mobile network (<i>LTE option</i>)	4G - LTE Cat 4 3G - HSPA+ 2G - EDGE **	insert a mini SIM card with a data plan, use Inthouse App to set up (<i>in development</i>)

* WPA3 recommended for security.

** 2G connection not recommended.

Full dimensions diagram (1:1) is available for download [here](#).

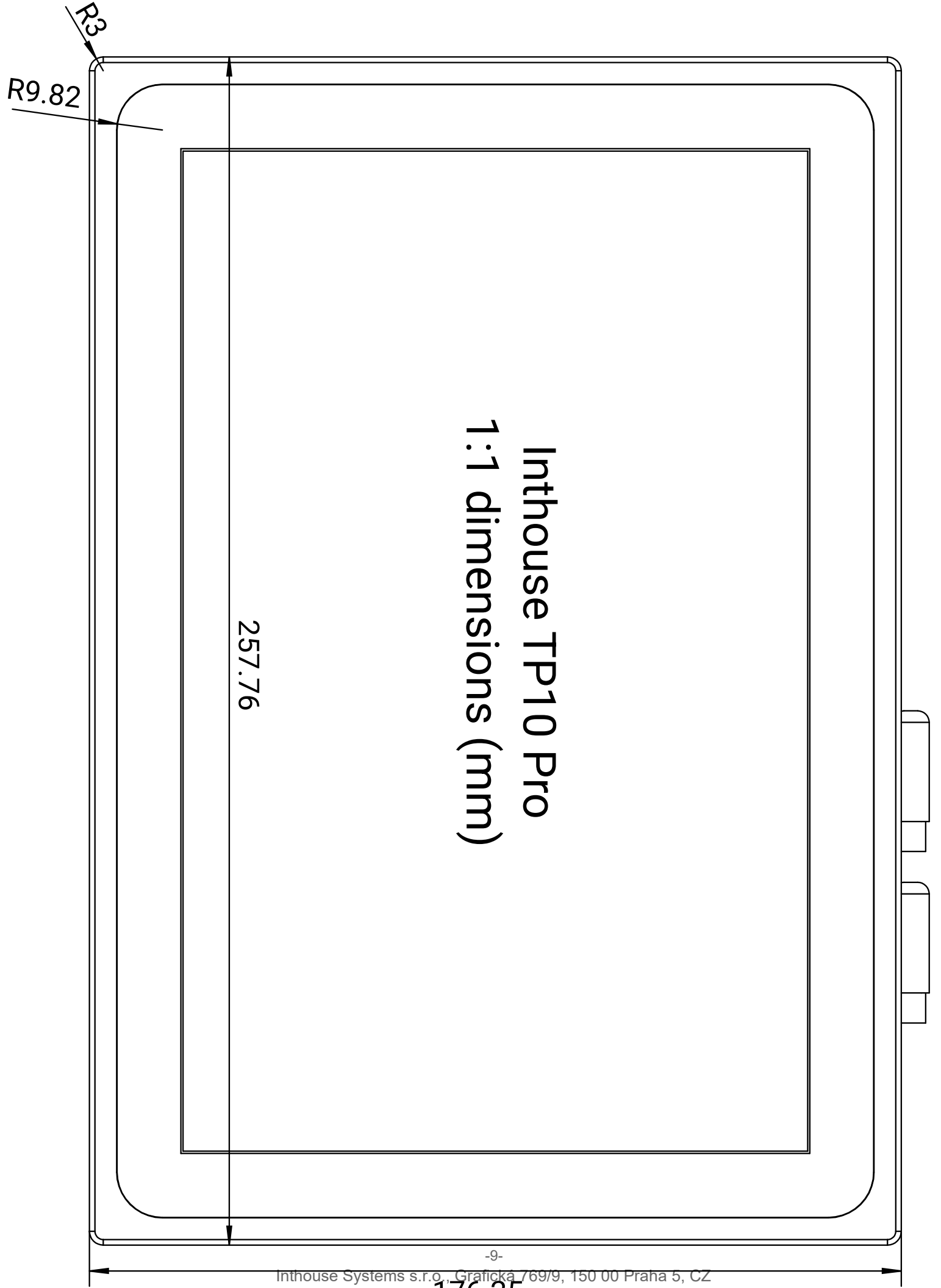
Cutout dimensions diagram (1:1) is available at the end of this document or [here](#) for download.

3D model (stl) is available on the web [here](#).

Images



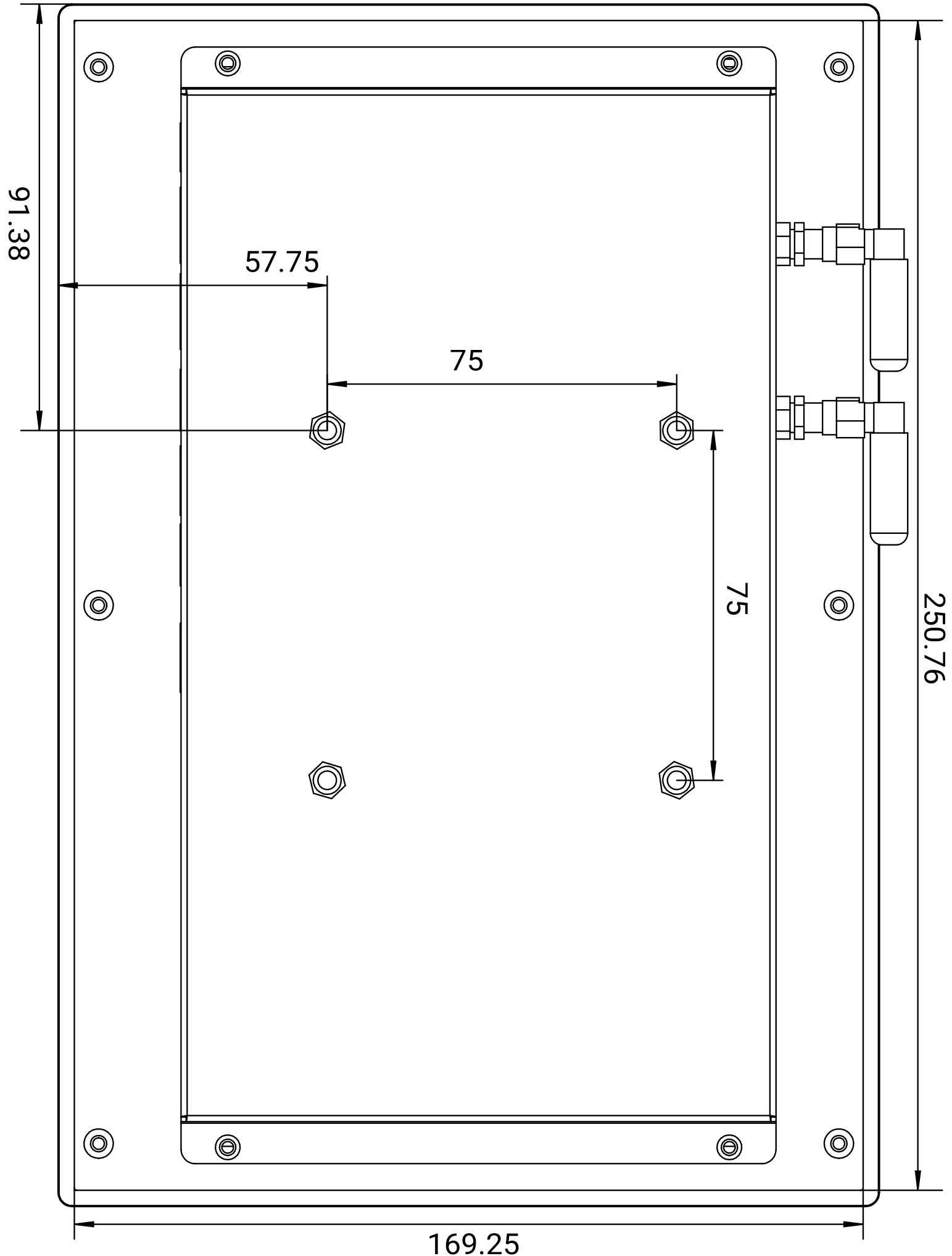




Inthouse TP10 Pro
1:1 dimensions (mm)

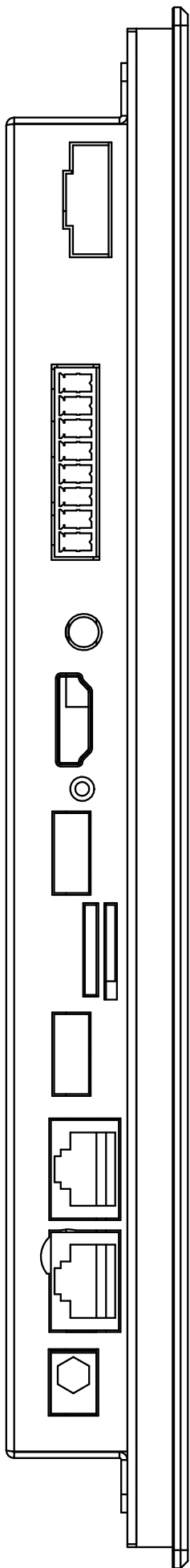
257.76

176.25

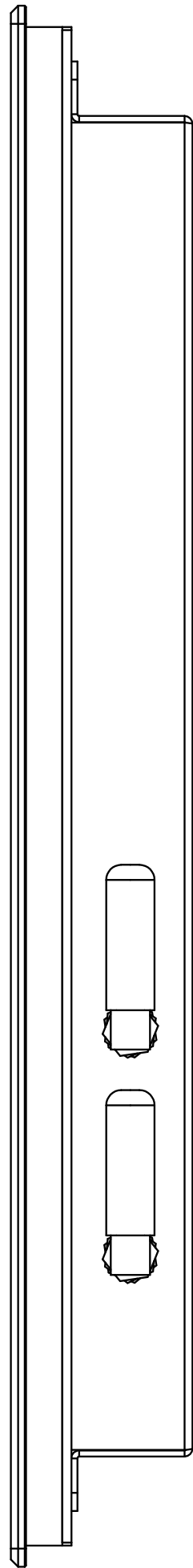


169.25

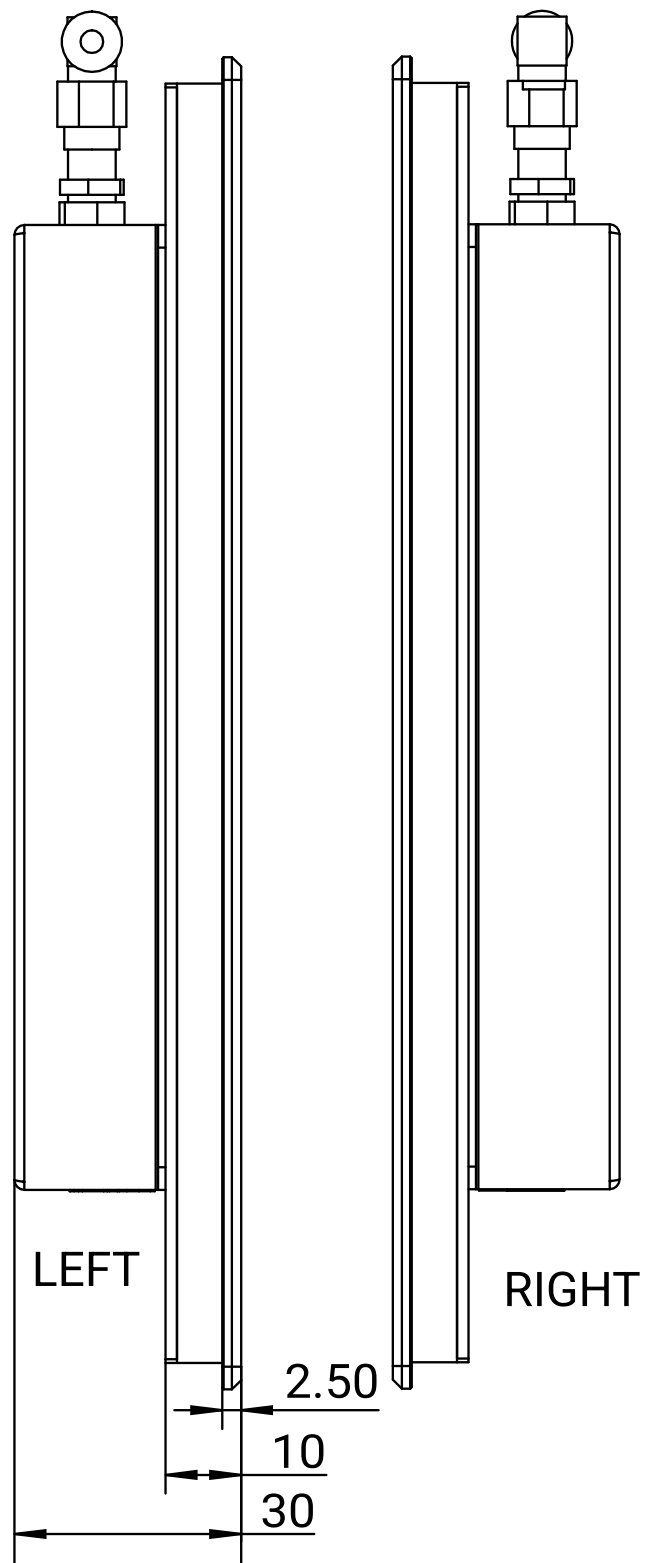
-10-

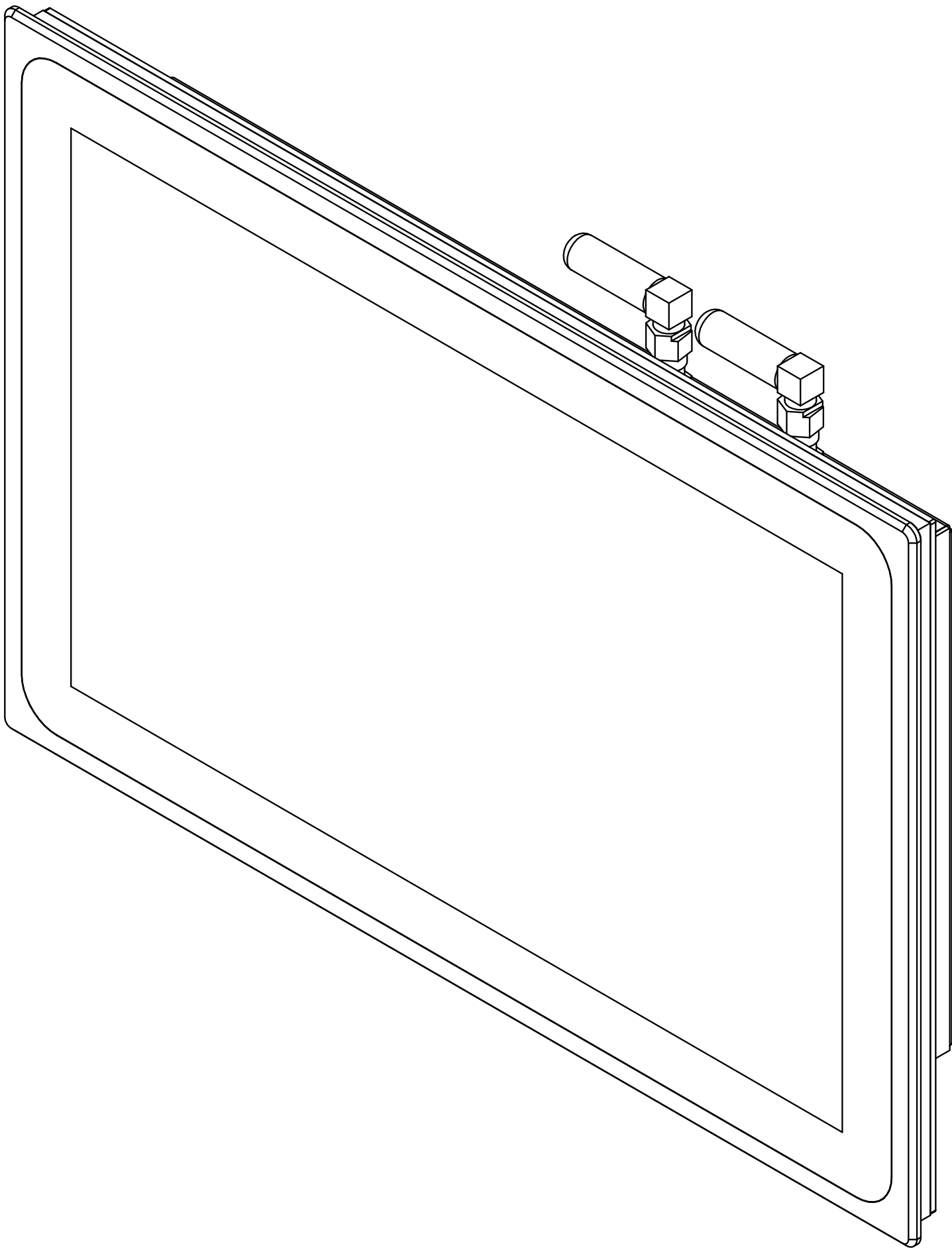


BOTTOM



TOP







252

Inthouse TP10 Pro
1:1 cutout dimensions (mm)

171