

Inthouse TP10

Datasheet



TP firmware version

v1+

Document date

2025-07-30

Introduction

Inthouse TP10 is powerful and modern 10" touch panel certified for Inthouse.

It has a 10" IPS display and plastic white or black plastic case for embedded installation.

The touch panel can be connected to the PLC and Internet in different ways, such as using wired Ethernet, as a wireless Wi-Fi client to an existing network or using FT1.2 over RS-485 serial cable.

It comes with the Inthouse App already installed. You only need to enter the Configuration ID to connect to your PLC and visualize your Inthouse configuration. This can be done by the end user from the App.

For our OEM customers with a branded application, the touch panel will be delivered with full customer's branding. This includes the branded start-up logo, the partner's branded application and system user interface customizations (such as light or dark system theme, available keyboard languages, etc.).

For our OEM customers, the Touch panel can also be delivered with a custom OEM application instead of the Inthouse App. The Touch panel can also be used to display a web page without any application required.

We also recommend the [Inthouse Hub](#) or [Inthouse Hub Pro](#) for remote access over cloud to the PLC (lifetime access included in price of the Hub). The touch panel can be connected to the Hub using wired Ethernet or wirelessly over Wi-Fi.

Hardware description

POWER AND SPECS		
Power input	AC 110 ~ 240V 50/60Hz	2-wire terminal block
	Power over Ethernet	IEEE 802.3af/at PoE (active)
Power consumption	< 10 W	
Operating temp.	-5 ~ 50 °C	
Color	black	
Camera	front-facing (for QR-code scanning)	
Audio	Speaker, microphones	
Sensors	Proximity sensor (<i>optional</i>)	

SYSTEM	
CPU	ARM Cortex-A55, 4-core @ 1.8 GHz
GPU	ARM Mali-G52
NPU	Up to 1 TOPS
RAM	2 GB / 4 GB (<i>optional</i>)
Storage	16 GB / 32 GB (<i>optional</i>)
OS	Android (<i>multiple versions available</i>)

DISPLAY	
Panel type	IPS LCD (300 nits)
Size	10" 16:10 landscape (or optionally portrait 10:16)
Resolution	1280 x 800 landscape (or optionally portrait 800 x 1280)
Viewing angles	178° / 178°
Touch	Capacitive, 10-point

I/O	
RJ-45 Ethernet	connect to network with PLC and Internet (if available)
RS-485	serial cable, supports FT1.2 over RS-485 as alternative connection to the PLC if Ethernet is not available
USB-C	front side (for Inthouse Studio or App and Configuration updates from flash drive)
Wi-Fi	2.4G 802.11b/g/n

Package and accessories

PACKAGE CONTENTS		
Inthouse TP10	1x	242 x 173 x 37 mm (24.6 mm in-wall)
Bracket for in-wall box	1x	
Screws for in-wall box	2x	

Connection setup

INTERNET CONNECTION		
Ethernet	RJ-45 10/100M	connect Ethernet cable
Wi-Fi Client	2.4G 802.11b/g/n WPA/WPA2/WPA3 * AES-CCMP	connect to another Wi-Fi network as client, use Inthouse App to set up

* WPA3 recommended for security.

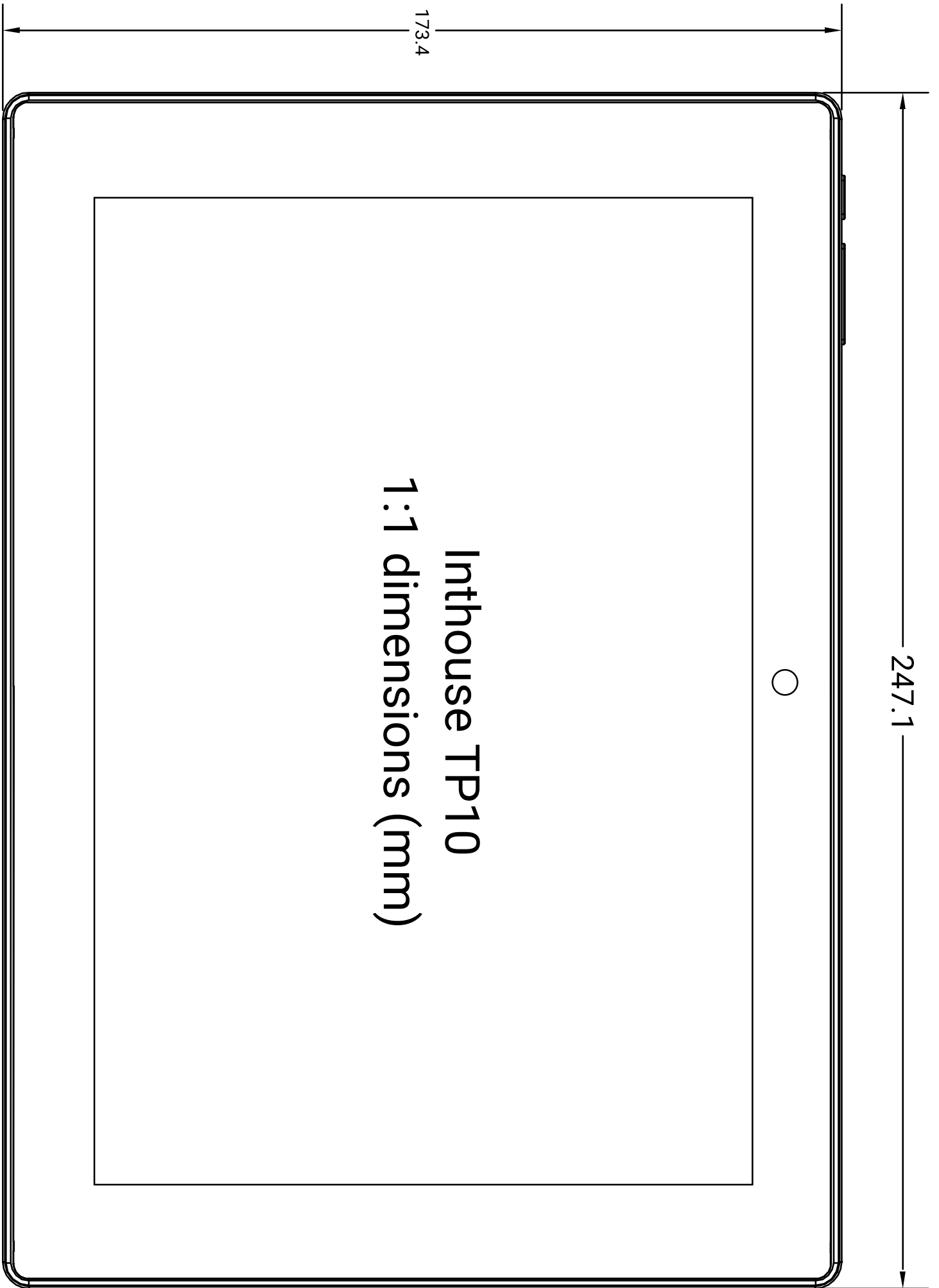
Full dimensions diagram (1:1) is available at the end of this document or [here](#) for download.

Cutout dimensions diagram (1:1) is available at the end of this document or [here](#) for download.

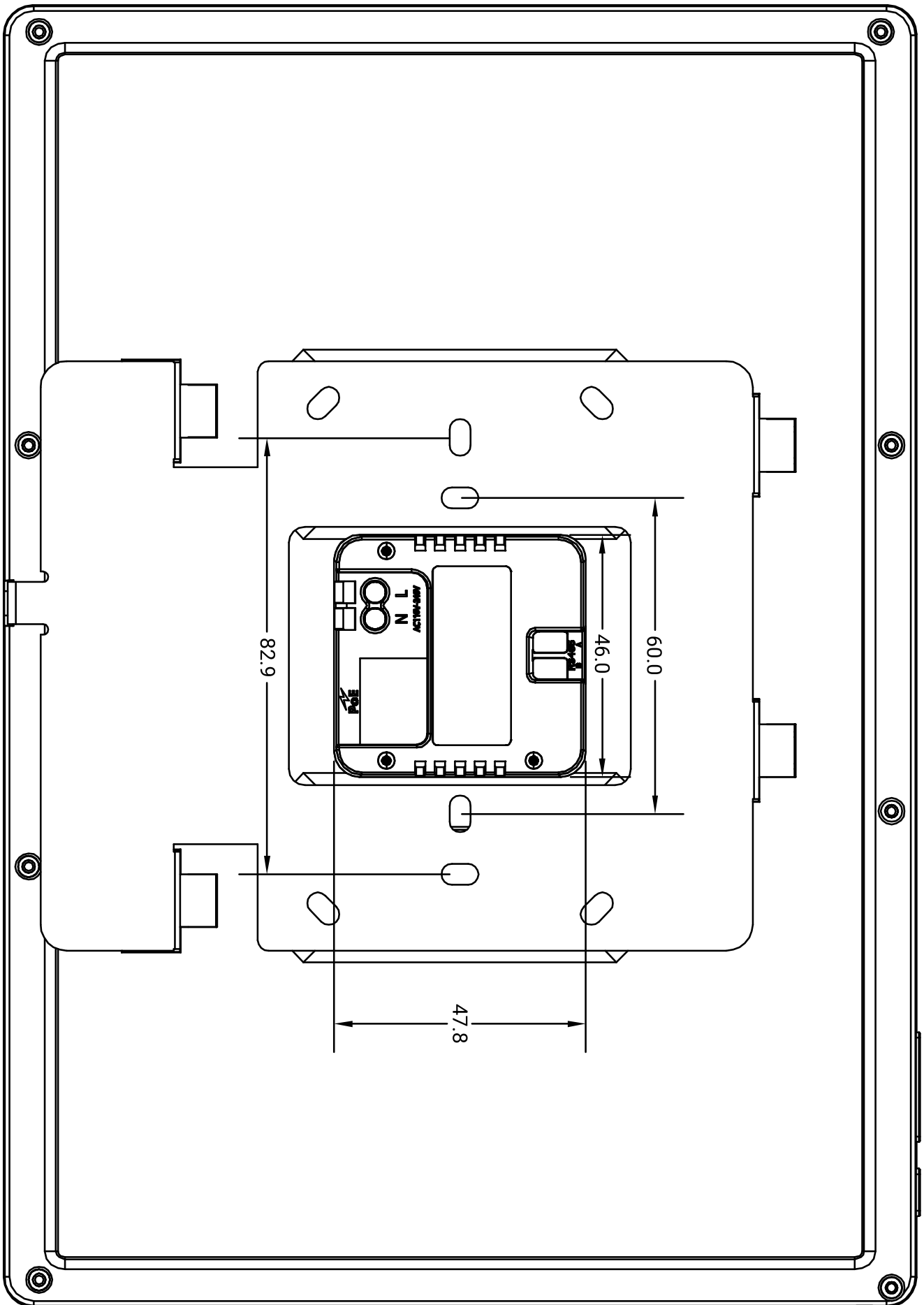
3D model (stl) is available on the web [here](#).

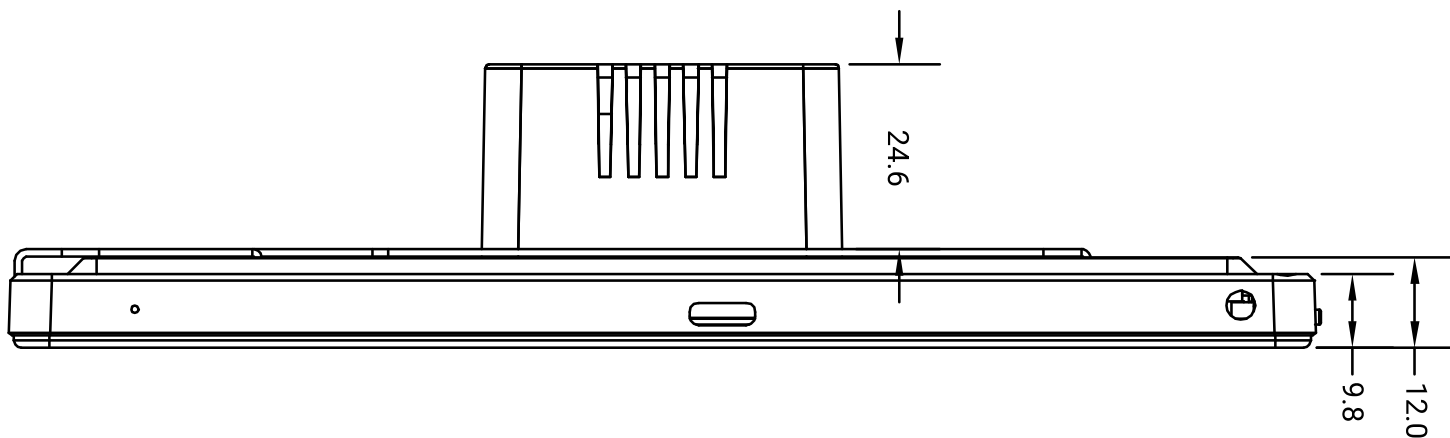
Images





Inthouse TP10
1:1 dimensions (mm)





Inthouse TP10 1:1 cutout dimensions (mm)

